



BEA ARCHITECTURAL SPECIFICATION SHEET

Automatic Door Solutions: 900 MHz

Product Specification

PERFORMANCE REQUIREMENTS

Provide a wireless 900 MHz-transmitter and receiver system for automated door openings. Receiver shall frequency hop between 908 and 918 MHz. System shall be capable of integrating with push plates and hand held transmitters. Receiver shall include built in vestibule sequencing. Receiver should include pulse and toggle options.

1. Thermal Range Requirements: Provide touch-activation device that can be used in all climates, allow for thermal range from 14°F (-10°C) to 131°F (55°C)
2. Receiver dimensions shall not exceed 2" (5.08 cm) Length x 2" (5.08 cm) Width x .75" (1.9 cm) Height
3. Programmable Unit Capability: Receiver unit must be capable of learning up to 74 transmitters per receiver
4. System shall include built in tri-color signal strength indicator
5. System shall include built in wireless vestibule sequencing
6. System shall include low battery indicator with visible LED
7. Certifications: FCC, IC, CE
8. Contact Rating: 12-24 VAC/DC: 1.0A @30VDC, 0.5A @125VAC, 0.3A @60VAC
9. Receiver shall have one-shot capability based on dipswitch configurations.
10. Receiver shall have dipswitch timer functionality for a selectable make or break function

Note to Specifier:

10RD900 Digital Receiver (one required per opening)

10TD900HH1 – One button hand held

10TD900HH2 – Two button hand held

10TD900HH3 – Three button hand held

10TD900HH4 – Four button hand held

10TD900PB – Used for wireless push plates, includes two double (AA) batteries

BEA Inc.
RIDC Park West
100 Enterprise Drive
Pittsburgh, PA 15275-1213

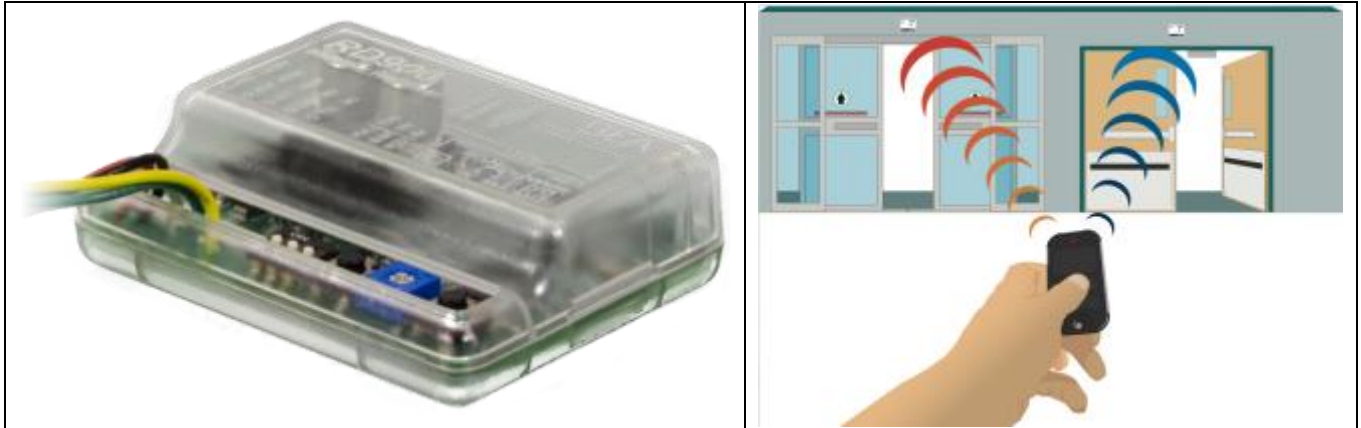
Phone: 1.800.523.2462
Fax: 1.888.523.2462



Member
American Association of
Automatic Door Manufacturers

A HALMA COMPANY

Product image and Application Photo



BEA Inc.
RIDC Park West
100 Enterprise Drive
Pittsburgh, PA 15275-1213

Phone: 1.800.523.2462
Fax: 1.888.523.2462



AAADM Member
American Association of
Automatic Door Manufacturers

A HALMA COMPANY



Technical Specs:

900 MHz Wireless Receiver	
Frequency Range	908 – 918 MHz
Channels	3 channels, frequency hopping
Digital Modulation	Frequency Shift Key
Data Rate	Programmable
Capacity	Capable of 74 unique transmitters
Signaling	2 LEDs, learn and activation
Sync Management	1 LED, range finding signal strength smart LED
Certifications	FCC Part 15, IC
RF Antenna	1/2 wavelength external RF antenna
Receiver Power	12 - 24 V AC/DC
Contact Relays	1 relay
Maximum Switch Power	120 VAC @ 0.5 amp 60 VDC @ 0.3 amp
Power Consumption	40 mA 24 VDC @ 1 amp
Dip Switches	3 dip switches
Behavior Settings	Learn, Delay, Activation, Hold time
Potentiometer	0 to 30 second delay

900 MHz Wireless Transmitters	
Frequency Range	908 – 918 MHz
Channels	3 channels, frequency hopping
Activation Buttons	Hardwired: 1 Wireless: 1, 2, 3, or 4
Range	Hardwired: <i>Signal strength may vary per application. Contact technical services for more information.</i> Wireless: < 500 feet – Open Air
Power	Hardwired: 2 AAA batteries @ 3 VDC Wireless: 1 Lithium Ion coin battery @ 3 VDC
Signaling	1 LED, Transmit
Battery Life	300,000 activations
Certifications	FCC Part 15, IC
Operating Temperature	14°F (-10°C) to 131° F (55°C)
Power Consumption	30 mA
Emitted Radio Power	-25 dBm

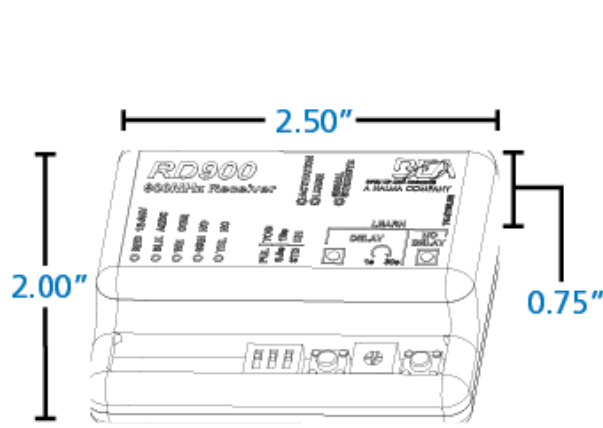
BEA Inc.
RIDC Park West
100 Enterprise Drive
Pittsburgh, PA 15275-1213

Phone: 1.800.523.2462
Fax: 1.888.523.2462

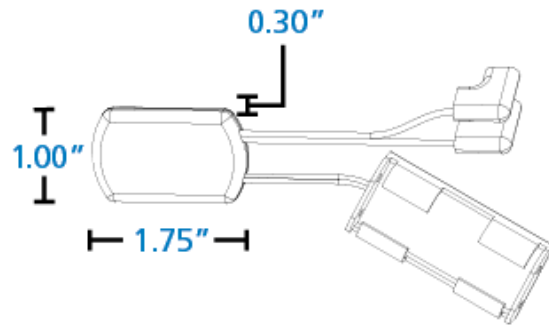


Member
American Association of
Automatic Door Manufacturers

Dimensions:



RECEIVER



HARDWIRED TRANSMITTER



WIRELESS TRANSMITTERS

BEA Inc.
 RIDC Park West
 100 Enterprise Drive
 Pittsburgh, PA 15275-1213

Phone: 1.800.523.2462
 Fax: 1.888.523.2462



Member
 American Association of
AADM Automatic Door Manufacturers

A HALMA COMPANY