



4612

Power Transfer Device

The 4612 Power Transfer Device channels electrical wiring from the door frame into the door itself. Designed for use with locks, exit devices, and more on doors hung with butt-type hinges.

Function

Provides a secure and unobtrusive means of channeling electrical wiring from the door frame into the door itself, for powering electric strikes on the inactive leaf of a pair of doors, locks, exit devices, etc. Suitable for any door hung with butt-type hinges, including continuous or pivots offset 3/4" [19.1 mm] or less. Not compatible with center-pivot doors.



Certifications

UL listed

Features

Housing

Stamped steel, approximately 1/16" [1.6 mm] thick. Short (105° swing) version shown is 11-1/12" [281.5 mm] long. 180° version is 20-5/21" [514mm] long. Chrome finish.

Case Knife Guard

Particularly for out-swinging doors, a steel barrier fence offers extra protection against attack on the conduit by knives, shims, or other tools. Completely hidden when door is closed.

Standard Package

Individually boxed with fasteners as required for each application type: aluminum, hollow metal, or wood.

Shipping Weight

1 lb. [0.45kg]

Electrical

Conduit

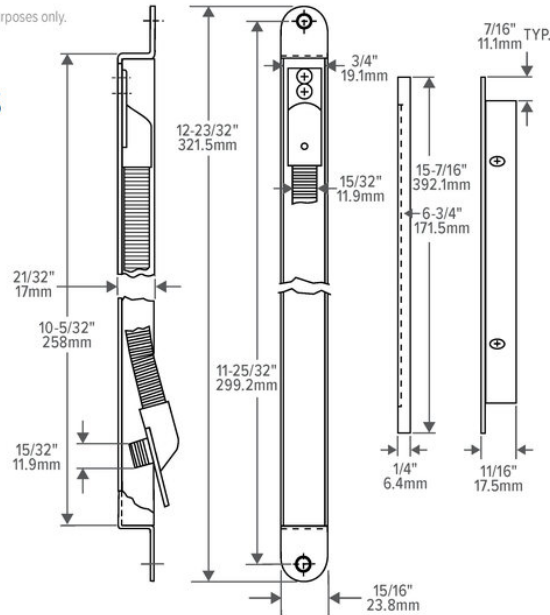
Spring steel helix has internal diameter of approximate 5/16". This provides ample room for multiple wires of the low voltage type used with most electrical hardware.

Options

- Available for application in aluminum, hollow metal, or wood door and frames.
- Standard (short) version suits doors that swing up to 105°. A longer version is available for doors that open 180°.
- Swing Clear option also available.

All measurements are approximate and are provided for informational purposes only. Refer to the product Installation Instructions.

Dimensions



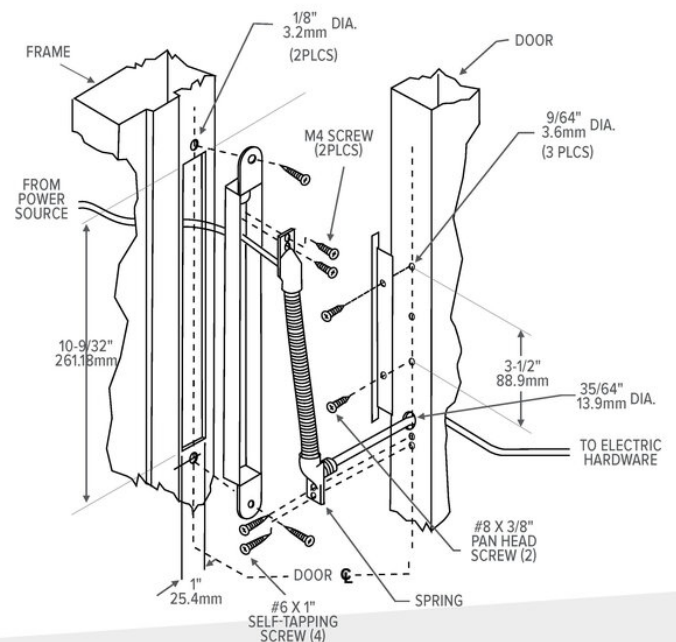
4612
Power
Transfer
Device

195
POWER

Installation

Door and Frame Prep — 105° Swing

1. For wood frame, the rectangular cutout is 2" deep minimum.
2. 4612 Power Transfer Device is designed to protect the wire. Care should also be taken when inserting wires through this device.
3. Only stranded wires to be employed.
4. Size and number of wires must comply with the National Electric Code, NFPA, and local authorities having jurisdiction. Wire size shall be at least 22 gauge.
5. This device is intended for low voltage use only (30 VAC, 42.5 VDC, 10 W max.).
6. Wire should be labeled, appliance wiring material with minimum 1/32" thick insulation.



How to Order & Compatible Products

4612 Power Transfer Device: Specify quantity and the following information. Order compatible products separately.

MODEL	ACCESSORY
4612	-1
	1 105° swing
	2 180° swing
	1-SC Swing clear, 90°

COMPATIBLE

DEADLATCHES	EXIT DEVICES	ELECTRIC STRIKES	TRIM
4300 Electrified Deadlatch	All 3000, 8000 Series electrified exit devices	7100/7101, 7110/7111, 7130/7131, 7140, 7160, 7170 Electric Strikes, 7240, 7270 Fire-Rated Electric Strikes, 7400/7401, 7410/7411, 7430/7431, 7440, 74R1, 74R2 Electric Strikes	3080E Series Entry Trim

Experience a safer
and more open world



Patent pending and/or patent www.assaabloydss.com/patents. Copyright © 2021, Hanchett Entry Systems, Inc., an ASSA ABLOY Group company. All rights reserved. Reproduction in whole or in part without the express written permission of Hanchett Entry Systems, Inc. is prohibited.