

MS1837 Series

MS® Two-Point Deadlock

Maximum security for wood door pairs is provided with the MS1837 Two-Point Deadlock. A single turn drops a bolt into the threshold and pivots the MS bolt.



Function

Maximum security for wood door pairs is provided by the MS1837 deadlock with a single turn of a key. Simultaneously dropping a stainless steel hexbolt into the threshold and pivoting the massive MS bolt into the opposite leaf, the MS1837 eliminates inconvenient and sometimes forgotten flushbolts in the inactive leaf.

Operation

360° turn of key or thumbturn projects counterbalanced bolt into opposite door and drops bolt into threshold. Key can be removed only when bolts are in a positively locked or unlocked position. Lock accepts any standard 1" [25.4 mm] length, 1-5/32" [29.4 mm] diameter mortise cylinder with MS® cam such as the 4036 Mortise Cylinder or thumbturn such as the 4066 Thumbturn, available separately. Lock accepts cylinder from either or both sides.



Concealed vertical rod not shown

Features

Cylinder Backset

1-1/2" [38.1 mm] only.

Cylinder Height

36" [914.4 mm] standard. Other cylinder heights available on special order, specify exact height from bottom of door to cylinder center. Maximum cylinder height 65" [1651 mm].

Case

Measures 1" x 6" x 2-3/16" [25.4 mm x 152.4 mm x 55.6 mm]. Steel with corrosion-resistant plate.

Pivoted Bolt

5/8" x 1-3/4" x 2-7/8" [15.9 mm x 44.5 mm x 73.0 mm] with 1-3/8" [34.9 mm] throw. Eight-ply laminated steel with alumina-ceramic core to deter hacksaw attack.

Threshold Bolt

Hexagonal 3/8" [9.5 mm], flat to flat. Stainless steel.

Armored Faceplate

Flat, two-piece plate extends to bottom of door.

Strike

For MS bolt, a 4001-011 Strike Plate with dust box is furnished. Threshold bolt strike can be 1/2" [12.7 mm] diameter hole in metal threshold or, if threshold is wood, 4005 Strike is available separately.

Standard Package

MS lock individually boxed with mounting screws. Hexbolt and rod packed separately with face extension plate, screws, bottom bolt guide, and attachment pin. Cylinder and/or thumbturn available separately.

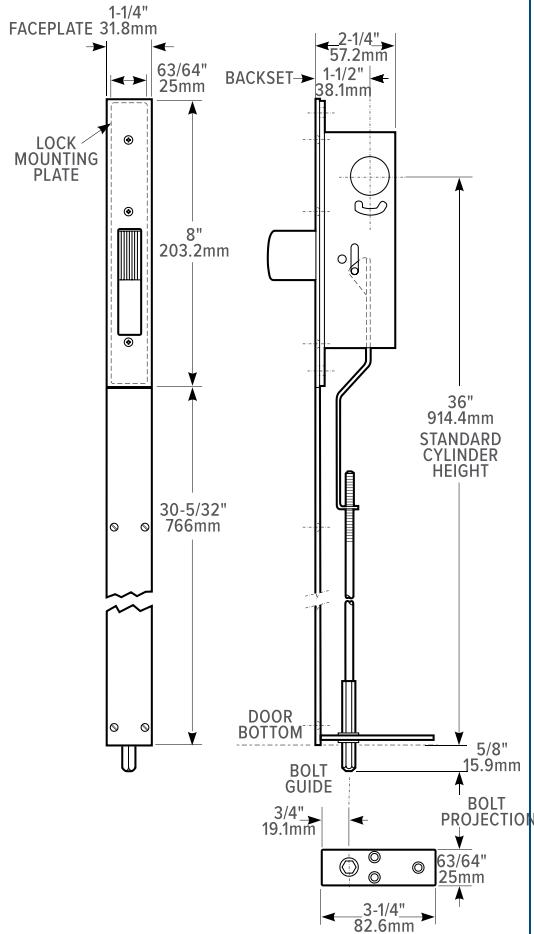
Shipping weight

3 lbs [1.36 kg]

Options

- Available in choice of 313 Dark bronze anodized, 335 Black anodized, 628 Clear anodized, US3 (605) Bright brass, US26D (626) Satin chrome

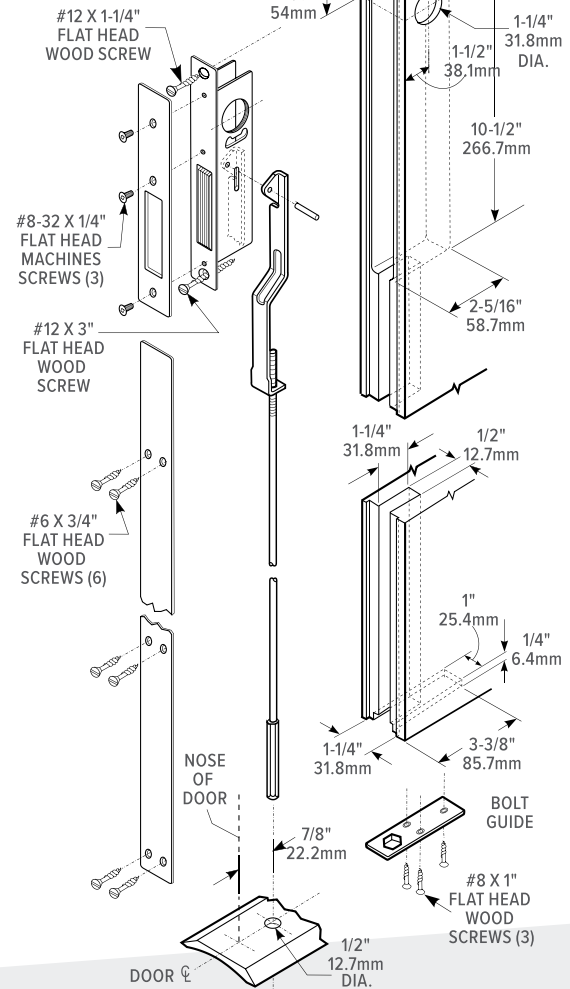
Dimensions



Installation

Install adaptor arm in lock from rear with bolt retracted as shown.

Drive pin through slots in lock side plates, passing through hole in the adaptor arm.



How to Order & Related Products

MS1837 Two Point Deadlock Specify quantity and the following information. Order related products separately.

PRODUCT NO.	FACEPLATE
MS1837	-313
	313 Dark Bronze Anodized
	335 Black Anodized
	605 Bright Brass
	626 Satin Chrome
	628 Clear Anodized

If cylinder height other than 36" is required, specify exact height from bottom of door to cylinder center.

RELATED

When purchasing this product, please consider the following related products, available separately:

CYLINDERS	ACCESSORIES
Standard 1" length, 1-5/32" diameter mortise cylinder with MS® cam such as 4036 Mortise Cylinder, 4066 Thumbturn MS4043 cylinder guard	4005 Strike for wooden threshold

Experience a safer
and more open world



ASSA ABLOY