

IVES®

Architectural
hardware
products



Finish chart	iv
Packaging, Handling	vi
A - Hinges and pivots	
Architectural hinges	A2
Continuous hinges - aluminum geared	A17
Continuous hinges - pin and barrel	A38
Pivots	A52
B - Pulls and push plates	
Architectural pulls and pushbars	B2
Decorative pulls	B23
Long door pulls	B38
Hands-free door pulls	B40
Push and pulls plates	B44
Protection plates	B50
Edge guards	B52
Vandal resistant trim	B56
Flush pulls	B65
Decorative flush pulls	B68
Sliding door pulls	B71
Screen door pull	B73
C - Flush bolts & coordinators	
Automatic flush bolts	C2
Constant latching flush bolts	C6
Manual flush bolts and dust proof strikes	C10
Coordinators - bar, gravity, carry bar	C17
D - Latches, catches & bolts	
Surface bolts	D2
Door guards	D7
Roller latches	D8
Angle stops	D11
Latches/catches	D12
E - Stops	
Floor stops and holders	E2
Wall stops/bumpers	E9
Wall holders	E13
Kick down holders	E15
Plunger door holders	E17
Roller bumpers	E18
Residential door stops	E19
Door silencers	E25
Crash stops	E26
F - Exterior hardware	
Lock guards	F2
Viewers	F5
Door knockers	F7
Mail slots	F8
G - Miscellaneous hardware	
Brackets & hooks	G2
Decorative hooks	G10
Window hardware	G14
Rescue hardware	G17
Index	
by product description	242
by part number	243

Hinges & pivots
A

Pulls & plates
B

Flush bolts & coordinators
C

Latches, catches & bolts
D

Stops
E

Exterior hardware
F

Miscellaneous hardware
G



	IVES Finish	ANSI/BHMA	US Number	Finish description	Base material	
A Hinges & pivots	A3	666	US3	Bright brass, clear coat	Aluminum	
	A4	667	US4	Satin brass, clear coat	Aluminum	
	A5	---	US5	Brass, blackened, satin relieved	Aluminum	
	A10	668	US10	Satin bronze, clear coat	Aluminum	
	A10B	703	US10B	Dark bronze, oil rubbed	Aluminum	
	A14	669	US14	Bright nickel, clear coat	Aluminum	
	A15	670	US15	Satin nickel, clear coat	Aluminum	
	A26	672	US26	Bright chrome	Aluminum	
	A26D	702	US26D	Satin chrome	Aluminum	
	A-643E/716	---	---	Aged bronze, blackened, edge relieved	Aluminum	
B Pulls & plates	A92	673	---	Aluminum clear coat	Aluminum	
	A-BLK	---	---	Matte black	Aluminum	
	A-W	---	---	White	Aluminum	
	US27	627	US27	Satin aluminum, clear coated	Aluminum	
	441	441	---	Satin stainless anodized	Aluminum	
	PA28	628	US28	Satin aluminum, clear anodized	Aluminum	
	688	688	---	Satin brass anodized	Aluminum	
	709	709	---	Satin bronze anodized	Aluminum	
	710	710	313AN	Dark bronze anodized	Aluminum	
	711	711	315AN	Black anodized	Aluminum	
C Flush bolts & coordinators	712	712	---	Bright chrome anodized	Aluminum	
	713	713	---	Satin chrome anodized	Aluminum	
	B3	605	US3	Bright brass, clear coat	Brass/Bronze	
	B4	606	US4	Satin brass, clear coat	Brass/Bronze	
	B5	609	US5	Satin brass, blackened, satin relieved	Brass/Bronze	
	B9	611	US9	Bright bronze, clear coat	Brass/Bronze	
	B10	612	US10	Satin bronze, clear coat	Brass/Bronze	
	B10B	613	US10B	Dark bronze, oil rubbed	Brass/Bronze	
	614	614	US10A	Satin bronze, relieved, clear coated	Brass/Bronze	
	616	616	US11	Satin bronze, blackened, clear coated	Brass/Bronze	
D Latches, catches & bolts	B14	618	US14	Bright nickel, clear coat	Brass/Bronze	
	B15	619	US15	Satin nickel, clear coat	Brass/Bronze	
	B15A	620	US15A	Satin nickel, blackened, satin relieved	Brass/Bronze	
	B26	625	US26	Bright chrome	Brass/Bronze	
	B26D	626	US26D	Satin chrome	Brass/Bronze	
	US26D-AM	---	---	Satin chrome, antimicrobial coating	Brass/Bronze	
	B-643E/716	---	---	Aged bronze, blackened, edge relieved	Brass/Bronze	
	B-BLK	622	US19	Matte black	Brass/Bronze	
	US2G	603	US2G	Zinc plated	Steel	
	F2C	604	US2C	Zinc plated	Steel	
E Stops	F3	632	US3	Bright brass, clear coat	Steel	
	F4	633	US4	Satin brass, clear coat	Steel	
	F5	638	US5	Satin brass, blackened, satin relieved	Steel	
	F10	639	US10	Satin bronze, clear coat	Steel	
	F10B	640	US10B	Dark bronze, oil rubbed	Steel	
	641	641	US10A	Oxidized brz, relieved, clear coated	Steel	
	643	643	US11	Satin brz, blackened, relieved, clear	Steel	
	F14	645	US14	Bright nickel, clear coat	Steel	
	F15	646	US15	Satin nickel, clear coated	Steel	
	F15A	647	US15A	Satin nickel, blackened, relieved, clear	Steel	
F Exterior hardware	F26	651	US26	Bright chrome	Steel	
	F26D	652	US26D	Satin chrome	Steel	
	F-643E/716	---	---	Aged bronze, blackened, edge relieved	Steel	
	F-BLK	631	US19	Matte black	Steel	
	F-W	---	---	White	Steel	
	SP4	706	---	Dull brass painted	All	
	SP10	691	---	Dull bronze painted	All	
	G Miscellaneous hardware					

IVES Finish	ANSI/BHMA	US Number	Finish description	Base material
SP28	689	---	Aluminum painted	All
SP313	695	---	Dark bronze painted	All
SPBLK	622	---	Matte black	All
USP	600	USP	Primed for paint	All
US32	629	US32	Bright stainless steel	Stainless steel
US32-316	629-316	US32-316	Bright stainless steel - 316 series	Stainless steel - 316
US32D	630	US32D	Satin stainless steel	Stainless steel
US32D-316	630-316	US32D-316	Satin stainless steel - 316 series	Stainless steel - 316
US32D	654	---	Satin stainless steel	Stainless steel
US32D-AM	---	---	Satin stainless, antimicrobial coating	Stainless steel
Z605	677	US3	Bright brass, clear coat	Zinc
678	678	US4	Satin brass, clear coat	Zinc
Z609	---	US5	Satin brass, blackened, satin relieved	Zinc
Z613	704	US10B	Dark bronze, oil rubbed	Zinc
Z619	---	US15	Satin nickel, clear coat	Zinc
Z625	681	US26	Bright chrome	Zinc
682	---	US26D	Satin chrome	Zinc
Z-643E/716	---	---	Aged bronze, blackened, edge relieved	Zinc
Z-BLK	---	---	Matte black	Zinc
Z-W	---	---	White	Zinc
CLR	---	---	Clear	Plastic
BLK	---	---	Matte black	Rubber or plastic
WHT	---	---	White	Rubber or plastic
GRY	---	---	Grey	Rubber
TAN	---	---	Tan	Rubber

Hinges & pivots

A

Pulls & plates

B

Flush bolts & coordinators

C

Latches, catches & bolts

D

Stops

E

Exterior hardware

F

Miscellaneous hardware

G

Packaging key

Many Ives items are available in a variety of packaging forms designated by a prefix. The Ives Price Book contains the specific packaging options for each Ives product. Below is a description of these options.

Symbol	Description of package
SP	Slim-Pak

Door handing

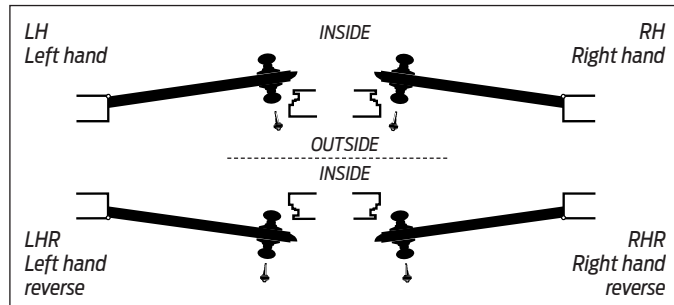


Table of contents

Architectural hinges

General hinge information.....A2
 Electrification options.....A3
 How to order.....A4
 3PB1 3 Knuckle, plain bearing full mortise hinge.....A5
 3CB1 3 Knuckle, concealed bearing full mortise hinge.....A6
 3CB1HW 3 Knuckle, concealed bearing, heavy weight full mortise hinge.....A7
 3CBIWT 3 Knuckle, concealed bearing, wide throw full mortise hinge.....A8
 3SP1 3 Knuckle, spring full mortise hinge.....A9
 5PB1 5 Knuckle, plain bearing full mortise hinge.....A10
 5BB1 5 Knuckle, ball bearing full mortise hinge.....A11
 5BB1HW 5 Knuckle, ball bearing, heavy weight full mortise hinge.....A12
 5BB1WT 5 Knuckle, ball bearing, wide throw full mortise hinge.....A13
 5BB1SC 5 Knuckle, ball bearing, swing clear full mortise hinge.....A14
 5BB1BSC 5 Knuckle, ball bearing, beveled swing clear full mortise hinge.....A14
 5BB1SCHW 5 Knuckle, ball bearing, swing clear, heavy weight full mortise hinge...A15
 5BB1BSCHW 5 Knuckle, ball bearing, beveled swing clear, heavy weight full mortise hinge.....A15
 1000 Series Residential hinges.....A16

Continuous hinges

Aluminum geared hinges

General hinge information.....A18
 Mounting hardware.....A19
 Electrification options.....A20
 How to order.....A21
 Clearance requirements.....A22
 026XY Full mortise - narrow frame leaf, wide door leaf.....A23
 027XY Full mortise - wide door leaf.....A24
 040XY Full mortise - wide throw.....A25
 041XY Full mortise - swing clear.....A26
 045XY Half surface - narrow frame leaf, wide door leaf.....A27
 046XY Half surface - wide door leaf.....A28
 053XY Half surface - narrow frame leaf, narrow door leaf.....A29
 054XY Half surface - narrow door leaf.....A30
 112HD Full mortise - narrow frame and door leaf.....A31
 112XY Full mortise - narrow frame and door leaf.....A32
 114XY Full mortise - narrow frame leaf, door edge protector.....A33
 157XY Full surface.....A34
 210XY Full surface - swing clear.....A35
 224HD Full mortise - door edge protector.....A36
 224XY Full mortise - door edge protector.....A37



Pin and barrel hinges

General hinge information.....A38
 Mounting hardware.....A39
 Electrification options.....A40
 How to order.....A41
 Clearance requirements.....A42
 600 Full mortise pin and barrel continuous hinge - steel
 700 Full mortise pin and barrel continuous hinge - stainless steel.....A43
 700CS Full mortise pin and barrel continuous hinge w/ decorative cover.....A44
 602 Full surface pin and barrel continuous hinge - steel
 702 Full surface pin and barrel continuous hinge - stainless steel.....A45
 705 Full mortise, full wrap pin and barrel continuous hinge - stainless steel.....A46
 611 Swing clear pin and barrel continuous hinge - steel
 711 Swing clear pin and barrel continuous hinge - stainless steel.....A47
 711CS Swing clear pin and barrel continuous hinge w/ decorative cover.....A48
 715 Full mortise, half wrap pin and barrel continuous hinge - stainless steel.....A49
 715CS Full mortise, half wrap pin and barrel continuous hinge w/ decorative cover.....A50

Pivots

General information.....A52
 How to order.....A53
 7212 3/4" Offset pivot, 200lb with top header mount.....A54
 7212V 3/4" Offset pivot, 200lb with top jamb mount.....A54
 7215 3/4" Offset pivot, 500lb with top header mount.....A55
 7215F 3/4" Offset pivot, 500lb with top header mount, fire rated.....A55
 7222 3/4" Offset pivot, 200lb with top header mount and bottom base mount...A56
 7226 3/4" Offset pivot, 600lb with top header mount and bottom base mount...A57
 7226F 3/4" Offset pivot, 600lb with top header mount and bottom base mount, fire rated.....A57
 7227 3/4" Offset pivot, 700lb with top header mount and bottom base mount...A58
 7227F 3/4" Offset pivot, 700lb with top header mount and bottom base mount, fire rated.....A58
 7230F 3/4" Offset pivot, 1000lb with top header mount and bottom base mount, fire rated.....A59
 7237F 3/4" Offset pivot, 1750lb with top header mount and bottom base mount, fire rated.....A60
 7244F 1 1/2" Offset pivot, 400lb with top header mount and bottom base mount, fire rated.....A61
 7245F 1 1/2" Offset pivot, 500lb with top header mount and bottom base mount, fire rated.....A62
 7212-7212V-7222 INT 3/4" Offset intermediate pivot.....A63
 7215-7226-7227 INT 3/4" Offset intermediate pivot.....A64
 7215F-7226F-7227F INT 3/4" Offset intermediate pivot, fire rated.....A64
 7230F-7237F INT 3/4" Offset intermediate pivot, fire rated.....A65
 7244F-7245F INT 1 1/2" Offset intermediate pivot, fire rated.....A65
 7215PT-7226PT-7227PT INT 3/4" Offset power transfer intermediate pivot.....A66
 7215FPT-7226FPT-7227FPT INT 3/4" Offset power transfer intermediate pivot, fire-rated.....A66
 7230FPT - 7237FPT INT 3/4" Offset power transfer intermediate pivot, fire rated.....A67
 7230FPT-7237FPT INT 3/4" fire rated intermediate pivot is used with 7230F, 7237F offset pivots.....A67
 7253 Center hung pivot, 300lb with bottom base mount.....A68
 7255 Center hung pivot, 500lb with bottom base mount.....A69
 7255J Center hung pivot, 500lb with bottom jamb mount.....A70
 7256 Center hung pivot, 600lb with bottom base mount.....A71
 7259 Center hung pivot, 1000lb with bottom base mount.....A72
 91105F Pocket pivot/hinge, fire rated.....A73
 E91105F Pocket pivot/hinge, power transfer, fire rated.....A74

A1
Hinges & pivots

B
Pulls & plates

C
Flush bolts & coordinators

D
Latches, catches & bolts

E
Stops

F
Exterior hardware

G
Miscellaneous hardware

General hinge information

Selection of the proper weight and bearing type

Standard weight Plain bearing
 Standard weight Ball bearing, concealed bearing
 Heavy weight Ball bearing, concealed bearing

Considerations to determine weight and bearing type:

- Weight of door
- Frequency of use
- Frame
- Door hardware

Always use ball bearing or concealed bearing hinges for doors with door closers and in all fire rated openings. Heavy weight doors and high frequency doors should use heavy weight ball bearing or concealed bearing hinges.

Guidelines for hinge metal

- Interior door or non-corrosive area use: plated or painted steel
- Interior labeled door use: plated or painted steel, stainless steel
- Interior door in corrosive area use: stainless steel, brass, bronze
- Exterior doors use: Stainless steel, brass, bronze

Standard pin material are brass hinge – steel pin,
 Stainless steel hinge – stainless steel pin, steel hinge – steel pin

Guidelines for frequency of door usage:

Build type	Daily usage	Hinge type
High frequency/ Heavy weight door		
Large department store entrance	5,000	Heavy weight
Hospital corridor and surgical doors	5,000	Heavy weight
Large office building entrance	4,000	Heavy weight
School entrance	1,250	Heavy weight
School toilet door	1,250	Heavy weight
Office stairwell	500	Heavy weight
Office building toilet door	400	Heavy weight
Medium frequency/ Medium weight door		
School corridor door	100	Standard weight
Hospital consultation rooms	100	Standard weight
Office building corridor door	80	Standard weight
Store toilet door	60	Standard weight
Storage room	50	Standard weight
Low frequency /Light door		
Residential entrance	30	Plain bearing
Interior residential	20	Plain bearing

ANSI/BHMA Grade/minimum cycle requirements

Grade 1: 2,500,000 Heavy Weight Ball & Concealed Bearing
 Grade 2: 1,500,000 Standard Weight Ball & Concealed Bearing
 Grade 3: 350,000 Light Weight Plain Bearing

Considerations to determine hinge size

- Door width
- Door thickness
- Weight
- Clearance

Guidelines for hinge height

Door thickness In inches	Door width In inches	Hinge height In inches
1-3/8"	Up to 32"	3-1/2"
1-3/8"	32" to 37"	4"
1-3/4"	Up to 36"	4-1/2"
1-3/4"	36" to 48"	5"
1-3/4"	Over 48"	6"
2" - 2-1/2"	Up to 42"	5" heavy weight
2" - 2-1/2"	Over 42"	6" heavy weight

Clearance requirement*

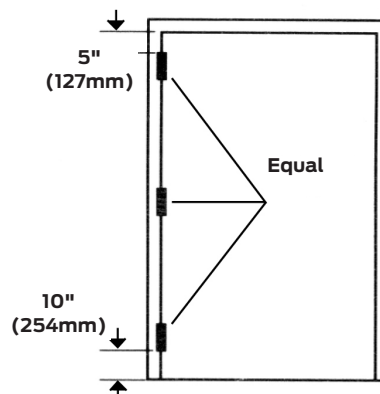
Door thickness	Clearance needed	Hinge open width
1-3/8"	1-3/4"	4"
1-3/4"	1"	4"
1-3/4"	1-1/2"	4-1/2"
1-3/4"	2"	5"
1-3/4"	3"	6"
2"	1"	4-1/2"
2"	1-1/2"	5"
2"	2-1/2"	6"
2-1/4"	1"	5"
2-1/4"	2"	6"
2-1/2"	1/2"	5"
2-1/2"	1-1/2"	6"
3"	3/4"	6"
3"	2-3/4"	8"

*Distance needed between wall and door at 180° to allow for any projections from wall; trim, decorative molding, etc. Consult factory technical service for engineered special applications

Guidelines for number of hinges

- Doors under 7'6" 3 hinges
- Doors over 7'6" 4 hinges

Location of hinges



Top hinge 5" from jamb rabbet to top of barrel

Bottom hinge 10" from bottom edge of barrel to finished floor

Third hinge centered between top and bottom hinges

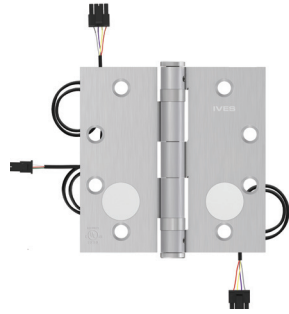
Note: Consult door manufacturer for other hinge locations

General information - electrification options

Electrical through-wire (TW4, TW8 and TW12)

Provides electric power transfer from the frame to the door in order to supply power to an electrified mortise or cylindrical locks, exit devices with electric latch retraction, and/or electric strikes (pairs of doors). Each wire is 28 AWG and rated 50 volts AC/DC at 3.5 amp continuous and 16 amp pulse. Maximum pulse 400 milliseconds. Ives through-wire hinges are fully compatible with 4 wire (TW4) 8 wire (TW8) installations and 12 wire (TW12) installations. All TW4, TW8 and TW12 3 knuckle and 5 knuckle hinges are standard with the Allegion Connect 8-pin Connector which makes it easy to connect to other electrical consumption devices.

- UL634 Listed
- Not available 3PB1, 3SP1, and 5PB1 models
- Not available on 3.5 x 3.5 size hinges
- Not available with security stud (SH) option
- Packaged one hinge per box with standard wood and machine screws
- Hinge is NRP as a standard
- High quality brass ferrules and plastic tubing protect the wires
- Through-wire hinges cycle tested to ensure durability
- Special wire gauge, number, and color configurations available, contact factory



Electrical Monitor (MON, TW4M, TW8M)

Provides door position monitoring. Monitor is rated 30 volts AC/DC at 0.25 amp. Fully compatible with through-wire hinges with 4 wire (TW4M) and 8 wire (TW8M) installations. Supplied standard with CON, option comes with the Allegion Connect 8-pin Connector which makes it easy to connect to other electrical consumption devices.

- UL634 Listed
- Not available 3PB1, 3SP1, and 5PB1 models
- Not available on 3.5 x 3.5 and 4X4 size hinges
- Not available with security stud (SH) option
- Packaged one hinge per box with standard wood and machine screws
- Hinge is NRP as a standard
- High quality brass ferrules and plastic tubing protect the wires
- Through-wire hinges cycle tested to ensure durability
- Special wire gauge, number, and color configurations available, contact factory

Hinges & pivots
A3

Pulls & plates
B

Flush bolts & coordinators
C

Latches, catches & bolts
D

Stops
E

Exterior hardware
F

Miscellaneous hardware
G

A4
Hinges & pivots

B
Pulls & plates

C
Flush bolts & coordinators

D
Latches, catches & bolts

E
Stops

F
Exterior hardware

G
Miscellaneous hardware

Ives Hinge number system

Please note: For availability of specific models, please refer to the item's catalog page or consult Customer Service.

How to order:

5 - BB - 1 - HW - SH - 4.5x4.5 - 652 - NRP

Number of knuckles:

- 3 3 Knuckle
- 5 5 Knuckle

Function:

- PB Plain bearing
- BB Ball bearing
- CB Concealed bearing
- SP Spring Hinge

Type:

- 1 Full mortise
- 2 Half mortise
- 3 Full surface
- 4 Half surface

Weight / Type:

- Blank Standard weight (BHMA Grade 2)
- HW Heavy weight (BHMA Grade 1)
- SC Swing clear
- BSC Beveled swing clear
- SCHW Swing clear, heavy weight
- BSCHW Beveled swing clear, heavy weight
- WT Wide throw

Options:

- HT Hospital tip
- SH Security stud (includes NRP as a standard offering)

Height x Width

- 3.5 x 3.5
- 4 x 4
- 4.5 x 4, 4.5, 5, 6
- 5 x 4.5, 5, 6, 7, 8

Consult model page for availability.

Finish

BHMA	Description	Substrate	Finish
600	Primer paint	Steel	USP
605	Bright brass	Brass	US3
606	Satin brass	Brass	US4
612	Satin bronze	Brass	US10
613	Oil rubbed bronze	Brass	US10B
614	Oxidized bronze	Brass	US10A
616	Blackened bronze	Brass	US11
619	Satin nickel	Brass	US15
622	Matte black	Brass	B-BLK
625	Bright chrome	Brass	US26
626	Satin chrome	Brass	US26D
643e/716	Aged bronze	Brass	B-643e/716
629	Bright stainless	Stainless steel	US32
630	Satin stainless	Stainless steel	US32D
631	Matte black	Steel	F-BLK
632	Bright brass	Steel	US3
633	Satin brass	Steel	US4
639	Satin bronze	Steel	US10
640	Oil rubbed bronze	Steel	US10B
641	Oxidized bronze	Steel	US10A
643	Blackened bronze	Steel	US11
646	Satin nickel	Steel	US15
651	Bright chrome	Steel	US26
652	Satin chrome	Steel	US26D
643e/716	Aged bronze	Steel	F-643e/716

For other colors, consult factory.

Options 2

- NRP Non-removable pin
- RC-1/4 Rounded corners 1/4"
- RC-5/8 Rounded corners 5/8"
- SEC Security screws (hollow metal - hex head pin in socket)
- TW4 Through-wire - four wire
- TW8 Through-wire - eight wire
- TW12 Through-wire - twelve wire
- MON Monitor
- TW4M Through-wire - four wire with monitor
- TW8M Through-wire - eight wire with monitor
- CON Allegion connect (standard for TW4, TW8, and TW12)



3PB1 3 Knuckle, plain bearing full mortise hinge

- Recommended for standard weight doors
- Recommended for low frequency usage
- Not recommended for use with a door closer
- Packed with fasteners for hollow metal and wood doors
 - 12-24 x 1/2 UFPHMS, 12 x 1 1/4 FPHWS
 - 10-24 x 1/2 UFPHMS, 10 x 1 FPHWS (3.5x3.5 hinge size only)

Certifications

- Certified to ANSI/BHMA A156.1 for performance standards
- Meets ANSI/BHMA 156.7 for template hinge dimensions

Material substrate

- Made from brass, 1040 steel, or 304 series stainless steel

Options

- NRP Non-removable pin
- HT..... Hospital tip
- SH..... Security stud - comes standard with NRP
- RC-1/4, RC-5/8.... Rounded corners
- SEC Security fasteners - pin-in-socket

Dimensions

Height x Width	Size (mm)	Gauge
3.5 x 3.5	89 x 89	0.123
4 x 4	102 x 102	0.130
4.5 x 4	114 x 102	0.134
4.5 x 4.5	114 x 114	0.134
5 x 4.5	127 x 114	0.146

Refer to General Hinge Information page to determine proper hinge for application

3PB1 Finishes

BHMA	Description	Substrate	Finish
600	Primer paint	Steel	USP
605	Bright brass	Brass	US3
606	Satin brass	Brass	US4
612	Satin bronze	Brass	US10
613	Oil rubbed bronze	Brass	US10B
614	Oxidized bronze	Brass	US10A
616	Blackened bronze	Brass	US11
619	Satin nickel	Brass	US15
622	Matte black	Brass	B-BLK
625	Bright chrome	Brass	US26
626	Satin chrome	Brass	US26D
643e/716	Aged bronze	Brass	B-643e/716
629	Bright stainless	Stainless steel	US32
630	Satin stainless	Stainless steel	US32D
631	Matte black	Steel	F-BLK
632	Bright brass	Steel	US3
633	Satin brass	Steel	US4
639	Satin bronze	Steel	US10
640	Oil rubbed bronze	Steel	US10B
641	Oxidized bronze	Steel	US10A
643	Blackened bronze	Steel	US11
646	Satin nickel	Steel	US15
651	Bright chrome	Steel	US26
652	Satin chrome	Steel	US26D
643e/716	Aged bronze	Steel	F-643e/716

For other colors, consult factory.

Hinges & pivots
A5

Pulls & plates
B

Flush bolts & coordinators
C

Latches, catches & bolts
D

Stops
E

Exterior hardware
F

Miscellaneous hardware
G



3CBI 3 Knuckle, concealed bearing full mortise hinge

- Recommended for medium weight doors (<150 lbs)
- Recommended for medium frequency usage (<400 cycles per day)
- Made with two concealed nylon bearings
- Recommended for use with a door closer
- Packed with fasteners for hollow metal and wood doors
 - 12-24 x 1/2 UFPHMS, 12 x 1 1/4 FPHWS
 - 10-24 x 1/2 UFPHMS, 10 x 1 FPHWS (3.5x3.5 hinge size only)

Certifications

- Certified to ANSI/BHMA A156.1 for performance standards
- Meets ANSI/BHMA 156.7 for template hinge dimensions
- UL Classified for windstorm rated assemblies - R37965
- UL Listed, 3 hour fire doors

Material substrate

- Made from brass, 1040 steel, or 304 series stainless steel

Options

- NRP Non-removable pin
- HT..... Hospital tip
- SH..... Security stud - comes standard with NRP
- RC-1/4, RC-5/8... Rounded corners
- SEC Security fasteners - pin-in-socket
- TW4 Four wire
- TW4M*..... Four wire with monitor
- TW8 Eight wire
- TW8M*..... Eight wire with monitor
- TW12..... Twelve wire
- MON* Monitor (not available on 4X4)

Dimensions

Height x Width	Size (mm)	Gauge
3.5 x 3.5	89 x 89	0.123
4 x 4	102 x 102	0.130
4.5 x 4	114 x 102	0.134
4.5 x 4.5	114 x 114	0.134
5 x 4.5	127 x 114	0.146
5 x 5	127 x 127	0.146

Refer to General Hinge Information page to determine proper hinge for application

3CBI Finishes

BHMA	Description	Substrate	Finish
600	Primer paint	Steel	USP
605	Bright brass	Brass	US3
606	Satin brass	Brass	US4
612	Satin bronze	Brass	US10
613	Oil rubbed bronze	Brass	US10B
614	Oxidized bronze	Brass	US10A
616	Blackened bronze	Brass	US11
619	Satin nickel	Brass	US15
622	Matte black	Brass	B-BLK
625	Bright chrome	Brass	US26
626	Satin chrome	Brass	US26D
643e/716	Aged bronze	Brass	B-643e/716
629	Bright stainless	Stainless steel	US32
630	Satin stainless	Stainless steel	US32D
631	Matte black	Steel	F-BLK
632	Bright brass	Steel	US3
633	Satin brass	Steel	US4
639	Satin bronze	Steel	US10
640	Oil rubbed bronze	Steel	US10B
641	Oxidized bronze	Steel	US10A
643	Blackened bronze	Steel	US11
646	Satin nickel	Steel	US15
651	Bright chrome	Steel	US26
652	Satin chrome	Steel	US26D
643e/716	Aged bronze	Steel	F-643e/716

For other colors, consult factory.

*TW and MON options are not available on 3.5X3.5.



3CBIHW 3 Knuckle, concealed bearing, heavy weight full mortise hinge

- Recommended for heavier weight doors (>150 lbs)
- Recommended for high frequency usage (400 cycles per day)
- Made with two heavy duty concealed nylon bearings
- Recommended for use with a door closer
- Packed with fasteners for hollow metal and wood doors
12-24 x 1/2 UFPHMS, 12 x 1 1/4 FPHWS

Certifications

- Certified to ANSI/BHMA A156.1 for performance standards
- Meets ANSI/BHMA 156.7 for template hinge dimensions
- UL Classified for windstorm rated assemblies - R37965
- UL Listed, 3 hour fire doors

Material substrate

- Made from brass, 1040 steel, or 304 series stainless steel

Options

- NRPNon-removable pin
- HT.Hospital tip
- SH.Security stud - comes standard with NRP
- RC-1/4, RC-5/8. . .Rounded corners
- SECSecurity fasteners - pin-in-socket
- TW4.Four wire
- TW4M.Four wire with monitor
- TW8.Eight wire
- TW8MEight wire with monitor
- TW12.Twelve wire
- MON.Monitor

Dimensions

Height x Width	Size (mm)	Gauge
4.5 x 4	114 x 102	0.180
4.5 x 4.5	114 x 114	0.180
5 x 4.5	127 x 114	0.190
5 x 5	127 x 127	0.190

Refer to General Hinge Information page to determine proper hinge for application

3CBIHW Finishes

BHMA	Description	Substrate	Finish
600	Primer paint	Steel	USP
605	Bright brass	Brass	US3
606	Satin brass	Brass	US4
612	Satin bronze	Brass	US10
613	Oil rubbed bronze	Brass	US10B
614	Oxidized bronze	Brass	US10A
616	Blackened bronze	Brass	US11
619	Satin nickel	Brass	US15
622	Matte black	Brass	B-BLK
625	Bright chrome	Brass	US26
626	Satin chrome	Brass	US26D
643e/716	Aged bronze	Brass	B-643e/716
629	Bright stainless	Stainless steel	US32
630	Satin stainless	Stainless steel	US32D
631	Matte black	Steel	F-BLK
632	Bright brass	Steel	US3
633	Satin brass	Steel	US4
639	Satin bronze	Steel	US10
640	Oil rubbed bronze	Steel	US10B
641	Oxidized bronze	Steel	US10A
643	Blackened bronze	Steel	US11
646	Satin nickel	Steel	US15
651	Bright chrome	Steel	US26
652	Satin chrome	Steel	US26D
643e/716	Aged bronze	Steel	F-643e/716

For other colors, consult factory.

Hinges & pivots
A7

Pulls & plates
B

Flush bolts & coordinators
C

Latches, catches & bolts
D

Stops
E

Exterior hardware
F

Miscellaneous hardware
G

3CB1WT 3 Knuckle, concealed bearing, wide throw full mortise hinge

- Recommended for medium weight doors (<150 lbs)
- Recommended for medium frequency usage (<400 cycles per day)
- Made with two concealed nylon bearings
- Recommended for use with a door closer
- Packed with fasteners for hollow metal and wood doors
 12-24 x 1/2 UFPHMS, 12 x 1 1/4 FPHWS

Certifications

- Certified to ANSI/BHMA A156.1 for performance standards
- Meets ANSI/BHMA 156.7 for template hinge dimensions

Material substrate

- 1040 steel

Options

- NRPNon-removable pin
- HT.....Hospital tip
- SH.....Security stud - comes standard with NRP
- RC-1/4, RC-5/8...Rounded corners
- SECSecurity fasteners - pin-in-socket
- TW4Four wire
- TW4MFour wire with monitor
- TW8Eight wire
- TW8MEight wire with monitor
- TW12.....Twelve wire
- MONMonitor

Dimensions

Height x Width	Size (mm)	Gauge
4.5 x 5	114 x 127	0.134
4.5 x 6	114 x 152	0.134
5 x 6	127 x 152	0.146
5 x 7	127 x 178	0.146
5 x 8	127 x 203	0.146

Refer to General Hinge Information page to determine proper hinge for application

3CB1WT Finishes

BHMA	Description	Substrate	Finish
600	Primer paint	Steel	USP
631	Matte black	Steel	F-BLK
632	Bright brass	Steel	US3
633	Satin brass	Steel	US4
639	Satin bronze	Steel	US10
640	Oil rubbed bronze	Steel	US10B
641	Oxidized bronze	Steel	US10A
643	Blackened bronze	Steel	US11
646	Satin nickel	Steel	US15
651	Bright chrome	Steel	US26
652	Satin chrome	Steel	US26D
643e/716	Aged bronze	Steel	F-643e/716

For other colors, consult factory.



3SP1 3 Knuckle, spring full mortise hinge

- For use with doors where self-closing is required
- Maximum door weight 120 lbs, max door width 36"
- Maximum labeled door size - 3'0" wide x 7'0" x 1 3/4" thick as set in NFPA #80
- Packed with fasteners for hollow metal and half metal / half wood applications
 - 12-24 x 1/2 UFPHMS, 12 x 1 1/4 FPHWS
 - Pin for setting spring tension
 - Adjusting wrench

Certifications

- Certified to ANSI/BHMA A156.17 for performance standards
- Meets ANSI/BHMA 156.7 for template hinge dimensions
- UL listed for use with fire rated doors

Material substrate

- Made from 1040 steel or 304 series stainless steel

Options

- RC-1/4, RC-5/8...Rounded corners
- SECSecurity fasteners - pin-in-socket

Dimensions

Height x Width	Size (mm)	Gauge
4 x 4	102 x 102	0.130
4.5 x 4	114 x 102	0.134
4.5 x 4.5	114 x 114	0.134

Refer to General Hinge Information page to determine proper hinge for application.

3SP1 Finishes

BHMA	Description	Substrate	Finish
600	Primer paint	Steel	USP
629	Bright stainless	Stainless steel	US32
630	Satin stainless	Stainless steel	US32D
631	Matte black	Steel	F-BLK
632	Bright brass	Steel	US3
633	Satin brass	Steel	US4
639	Satin bronze	Steel	US10
640	Oil rubbed bronze	Steel	US10B
641	Oxidized bronze	Steel	US10A
643	Blackened bronze	Steel	US11
646	Satin nickel	Steel	US15
651	Bright chrome	Steel	US26
652	Satin chrome	Steel	US26D
643e/716	Aged bronze	Steel	F-643e/716

For other colors, consult factory.

A9
Hinges & pivots

B
Pulls & plates

C
Flush bolts & coordinators

D
Latches, catches & bolts

E
Stops

F
Exterior hardware

G
Miscellaneous hardware

A10	Hinges & pivots
B	Pulls & plates
C	Flush bolts & coordinators
D	Latches, catches & bolts
E	Stops
F	Exterior hardware
G	Miscellaneous hardware



5PB1 5 Knuckle, plain bearing full mortise hinge

- Recommended for standard weight doors
- Recommended for low frequency usage
- Not recommended for use with a door closer
- Packed with fasteners for hollow metal and wood doors
 - 12-24 x 1/2 UFPHMS, 12 x 1 1/4 FPHWS
 - 10-24 x 1/2 UFPHMS, 10 x 1 FPHWS (3.5x3.5 hinge size only)

Certifications

- Certified to ANSI/BHMA A156.1 for performance standards
- Meets ANSI/BHMA 156.7 for template hinge dimensions

Material substrate

- Made from brass, 1040 steel, or 304 series stainless steel

Options

- NRP Non-removable pin
- HT Hospital tip
- SH Security stud - comes standard with NRP
- RC-1/4, RC-5/8... Rounded corners
- SEC Security fasteners - pin-in-socket

Dimensions

Height x Width	Size (mm)	Gauge
3.5 x 3.5	89 x 89	0.123
4 x 4	102 x 102	0.130
4.5 x 4	114 x 102	0.134
4.5 x 4.5	114 x 114	0.134
5 x 4.5	127 x 114	0.146

Refer to General Hinge Information page to determine proper hinge for application

5PB1 Finishes

BHMA	Description	Substrate	Finish
600	Primer paint	Steel	USP
605	Bright brass	Brass	US3
606	Satin brass	Brass	US4
612	Satin bronze	Brass	US10
613	Oil rubbed bronze	Brass	US10B
614	Oxidized bronze	Brass	US10A
616	Blackened bronze	Brass	US11
619	Satin nickel	Brass	US15
622	Matte black	Brass	B-BLK
625	Bright chrome	Brass	US26
626	Satin chrome	Brass	US26D
643e/716	Aged bronze	Brass	B-643e/716
629	Bright stainless	Stainless steel	US32
630	Satin stainless	Stainless steel	US32D
631	Matte black	Steel	F-BLK
632	Bright brass	Steel	US3
633	Satin brass	Steel	US4
639	Satin bronze	Steel	US10
640	Oil rubbed bronze	Steel	US10B
641	Oxidized bronze	Steel	US10A
643	Blackened bronze	Steel	US11
646	Satin nickel	Steel	US15
651	Bright chrome	Steel	US26
652	Satin chrome	Steel	US26D
643e/716	Aged bronze	Steel	F-643e/716

For other colors, consult factory.



5BB1 5 Knuckle, ball bearing full mortise hinge

- Recommended for medium weight doors (<150 lbs)
- Recommended for medium frequency usage (<400 cycles per day)
- Made with two ball bearing assemblies
- Recommended for use with a door closer
- Packed with fasteners for hollow metal and wood doors
 - 12-24 x 1/2 UFPHMS, 12 x 1 1/4 FPHWS
 - 10-24 x 1/2 UFPHMS, 10 x 1 FPHWS (3.5x3.5 hinge size only)

Certifications

- Certified to ANSI/BHMA A156.1 for performance standards
- Meets ANSI/BHMA 156.7 for template hinge dimensions
- UL Classified for windstorm rated assemblies - R37965
- UL Listed, 3 hour fire doors

Material substrate

- Made from brass, 1040 steel, or 304 series stainless steel

Options

- NRP Non-removable pin
- HT Hospital tip
- SH Security stud - comes standard with NRP
- RC-1/4, RC-5/8... Rounded corners
- SEC Security fasteners - pin-in-socket
- TW4 Four wire
- TW4M Four wire with monitor
- TW8 Eight wire
- TW8M* Eight wire with monitor
- TW12 Twelve wire
- MON* Monitor (not available on 4X4)

Dimensions

Height x Width	Size (mm)	Gauge
3.5 x 3.5	89 x 89	0.123
4 x 4	102 x 102	0.130
4.5 x 4	114 x 102	0.134
4.5 x 4.5	114 x 114	0.134
5 x 4.5	127 x 114	0.146
5 x 5	127 x 127	0.146

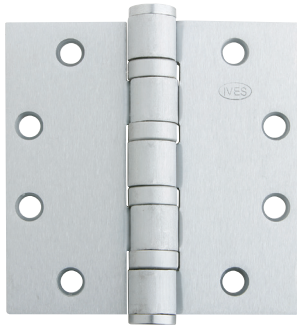
Refer to General Hinge Information page to determine proper hinge for application

5BB1 Finishes

BHMA	Description	Substrate	Finish
600	Primer paint	Steel	USP
605	Bright brass	Brass	US3
606	Satin brass	Brass	US4
612	Satin bronze	Brass	US10
613	Oil rubbed bronze	Brass	US10B
614	Oxidized bronze	Brass	US10A
616	Blackened bronze	Brass	US11
619	Satin nickel	Brass	US15
622	Matte black	Brass	B-BLK
625	Bright chrome	Brass	US26
626	Satin chrome	Brass	US26D
643e/716	Aged bronze	Brass	B-643e/716
629	Bright stainless	Stainless steel	US32
630	Satin stainless	Stainless steel	US32D
631	Matte black	Steel	F-BLK
632	Bright brass	Steel	US3
633	Satin brass	Steel	US4
639	Satin bronze	Steel	US10
640	Oil rubbed bronze	Steel	US10B
641	Oxidized bronze	Steel	US10A
643	Blackened bronze	Steel	US11
646	Satin nickel	Steel	US15
651	Bright chrome	Steel	US26
652	Satin chrome	Steel	US26D
643e/716	Aged bronze	Steel	F-643e/716

For other colors, consult factory.

*TW and MON options are not available on 3.5X3.5.



5BB1HW 5 Knuckle, ball bearing, heavy weight full mortise hinge

- Recommended for heavier weight doors (>150 lbs)
- Recommended for high frequency usage (400 cycles per day)
- Made with four ball bearing assemblies
- Recommended for use with a door closer
- Packed with fasteners for hollow metal and wood doors
12-24 x 1/2 UFPHMS, 12 x 1 1/4 FPHWS

Certifications

- Certified to ANSI/BHMA A156.1 for performance standards
- Meets ANSI/BHMA 156.7 for template hinge dimensions
- UL Classified for windstorm rated assemblies - R37965
- UL Listed, 3 hour fire doors

Material substrate

- Made from brass, 1040 steel, or 304 series stainless steel

Options

- NRPNon-removable pin
- HT.....Hospital tip
- SH.....Security stud - comes standard with NRP
- RC-1/4, RC-5/8...Rounded corners
- SECSecurity fasteners - pin-in-socket
- TW4Four wire
- TW4MFour wire with monitor
- TW8Eight wire
- TW8MEight wire with monitor
- TW12.....Twelve wire
- MONMonitor

Dimensions

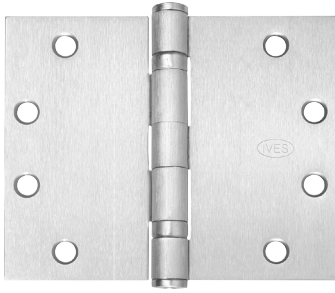
Height x Width	Size (mm)	Gauge
4.5 x 4	114 x 102	0.180
4.5 x 4.5	114 x 114	0.180
5 x 4.5	127 x 114	0.190
5 x 5	127 x 127	0.190

Refer to General Hinge Information page to determine proper hinge for application

5BB1HW Finishes

BHMA	Description	Substrate	Finish
600	Primer paint	Steel	USP
605	Bright brass	Brass	US3
606	Satin brass	Brass	US4
612	Satin bronze	Brass	US10
613	Oil rubbed bronze	Brass	US10B
614	Oxidized bronze	Brass	US10A
616	Blackened bronze	Brass	US11
619	Satin nickel	Brass	US15
622	Matte black	Brass	B-BLK
625	Bright chrome	Brass	US26
626	Satin chrome	Brass	US26D
643e/716	Aged bronze	Brass	B-643e/716
629	Bright stainless	Stainless steel	US32
630	Satin stainless	Stainless steel	US32D
631	Matte black	Steel	F-BLK
632	Bright brass	Steel	US3
633	Satin brass	Steel	US4
639	Satin bronze	Steel	US10
640	Oil rubbed bronze	Steel	US10B
641	Oxidized bronze	Steel	US10A
643	Blackened bronze	Steel	US11
646	Satin nickel	Steel	US15
651	Bright chrome	Steel	US26
652	Satin chrome	Steel	US26D
643e/716	Aged bronze	Steel	F-643e/716

For other colors, consult factory.



5BB1WT 5 Knuckle, ball bearing, wide throw full mortise hinge

- Recommended for medium weight doors (<150 lbs)
- Recommended for medium frequency usage (<400 cycles per day)
- Made with two ball bearing assemblies
- Recommended for use with a door closer
- Packed with fasteners for hollow metal and wood doors
12-24 x 1/2 UFPHMS, 12 x 1 1/4 FPHWS

Certifications

- Certified to ANSI/BHMA A156.1 for performance standards
- Meets ANSI/BHMA 156.7 for template hinge dimensions

Material substrate

- 1040 steel

Options

- NRP Non-removable pin
- HT Hospital tip
- SH Security stud - comes standard with NRP
- RC-1/4, RC-5/8... Rounded corners
- SEC Security fasteners - pin-in-socket
- TW4 Four wire
- TW4M Four wire with monitor
- TW8 Eight wire
- TW8M Eight wire with monitor
- TW12 Twelve wire
- MON Monitor

Dimensions

Height x Width	Size (mm)	Gauge
4.5 x 5	114 x 127	0.134
4.5 x 6	114 x 152	0.134
5 x 6	127 x 152	0.146
5 x 7	127 x 178	0.146
5 x 8	127 x 203	0.146

Refer to General Hinge Information page to determine proper hinge for application

5BB1WT Finishes

BHMA	Description	Substrate	Finish
600	Primer paint	Steel	USP
631	Matte black	Steel	F-BLK
632	Bright brass	Steel	US3
633	Satin brass	Steel	US4
639	Satin bronze	Steel	US10
640	Oil rubbed bronze	Steel	US10B
641	Oxidized bronze	Steel	US10A
643	Blackened bronze	Steel	US11
646	Satin nickel	Steel	US15
651	Bright chrome	Steel	US26
652	Satin chrome	Steel	US26D
643e/716	Aged bronze	Steel	F-643e/716

For other colors, consult factory.



Meets ANSI/BHMA A156.1
A8122 – Steel
A5122 – Stainless Steel
A2122 – Brass

5BB1SC 5 Knuckle, ball bearing, swing clear full mortise hinge
5BB1BSC 5 Knuckle, ball bearing, beveled swing clear full mortise hinge

- Designed to completely clear the opening when door is opened 92°.
- Recommended for use in ADA door opening applications
- 5BB1SC made for square edge doors
- 5BB1BSC made for beveled edge doors
- Recommended for medium weight doors (<150 lbs)
- Recommended for medium frequency usage (<400 cycles per day)
- Made with two ball bearing assemblies
- Packed with fasteners for hollow metal and wood doors
12-24 x 1/2 UFPHMS, 12 x 1 1/4 FPHWS

Certifications

- Certified to ANSI/BHMA A156.1 for performance standards
- Meets ANSI/BHMA 156.7 for template hinge dimensions

Material substrate

- Made from 1040 steel or 304 series stainless steel

Options

- NRPNon-removable pin
- HT.....Hospital tip
- RC-1/4, RC-5/8...Rounded corners
- SECSecurity fasteners - pin-in-socket
- TW4Four wire
- TW4MFour wire with monitor
- TW8Eight wire
- TW8MEight wire with monitor
- TW12.....Twelve wire
- MONMonitor

Dimensions

Height	Size (mm)	Gauge
4.5	114	0.134
5	127	0.146

Refer to General Hinge Information page to determine proper hinge for application

5BB1SC Finishes

BHMA	Description	Substrate	Finish
600	Primer paint	Steel	USP
629	Bright stainless	Stainless steel	US32
630	Satin stainless	Stainless steel	US32D
631	Matte black	Steel	F-BLK
632	Bright brass	Steel	US3
633	Satin brass	Steel	US4
639	Satin bronze	Steel	US10
640	Oil rubbed bronze	Steel	US10B
641	Oxidized bronze	Steel	US10A
643	Blackened bronze	Steel	US11
646	Satin nickel	Steel	US15
651	Bright chrome	Steel	US26
652	Satin chrome	Steel	US26D
643e/716	Aged bronze	Steel	F-643e/716

For other colors, consult factory.



5BB1SCHW 5 Knuckle, ball bearing, swing clear, heavy weight full mortise hinge
5BB1BSCHW 5 Knuckle, ball bearing, beveled swing clear, heavy weight full mortise hinge

- Designed to completely clear the opening when door is opened 92°
- Recommended for use in ADA door opening applications
- 5BB1SCHW made for square edge doors
- 5BB1BSCHW made for beveled edge doors
- Recommended for heavier weight doors (>150 lbs)
- Recommended for high frequency usage (400 cycles per day)
- Made with four ball bearing assemblies
- Packed with fasteners for hollow metal and wood doors
 12-24 x 1/2 UPPHMS, 12 x 1 1/4 FPHWS

Certifications

- Certified to ANSI/BHMA A156.1 for performance standards
- Meets ANSI/BHMA 156.7 for template hinge dimensions

Material substrate

- Made from 1040 steel or 304 series stainless steel

Options

- NRP.....Non-removable pin
- HT.....Hospital tip
- RC-1/4, RC-5/8...Rounded corners
- SECSecurity fasteners - pin-in-socket
- TW4Four wire
- TW4MFour wire with monitor
- TW8Eight wire
- TW8MEight wire with monitor
- TW12Twelve wire
- MONMonitor

Dimensions

Height	Size (mm)	Gauge
4.5	114	0.180
5	127	0.190

Refer to General Hinge Information page to determine proper hinge for application

5BB1SCHW Finishes

BHMA	Description	Substrate	Finish
600	Primer paint	Steel	USP
629	Bright stainless	Stainless steel	US32
630	Satin stainless	Stainless steel	US32D
631	Matte black	Steel	F-BLK
632	Bright brass	Steel	US3
633	Satin brass	Steel	US4
639	Satin bronze	Steel	US10
640	Oil rubbed bronze	Steel	US10B
641	Oxidized bronze	Steel	US10A
643	Blackened bronze	Steel	US11
646	Satin nickel	Steel	US15
651	Bright chrome	Steel	US26
652	Satin chrome	Steel	US26D
643e/716	Aged bronze	Steel	F-643e/716

For other colors, consult factory.

A15
 Hinges & pivots
B
 Pulls & plates
C
 Flush bolts & coordinators
D
 Latches, catches & bolts
E
 Stops
F
 Exterior hardware
G
 Miscellaneous hardware



1010



1011



1012



1020



1021

1000 Series Residential hinges

- 3.5 x 3.5 or 4 x 4 plain bearing hinges
- Button non-rising pins and caps
- Recommended for doors weighing less than 70 lbs and not exceeding 3'0" x 7'0"
- Recommended for low frequency, residential applications
- Not recommended for use with a door closer
- For metal door applications see 3PB1 and 5PB1 models
- Available with rounded (1/4" or 5/8") or square corners
- Packed with fasteners for wood doors
#9 x 1 FPHWS

Material substrate

- Made from 1040 steel

Dimensions

Model	Height x Width (in)	Corner
1010	3.5 x 3.5	Square
1011	3.5 x 3.5	5/8" Radius
1012	3.5 x 3.5	1/4" Radius
1020	4 x 4	Square
1021	4 x 4	5/8" Radius

5BBIHW Finishes

BHMA	Description	Substrate	Finish
631	Matte black	Steel	F-622E
632*	Bright brass	Steel	F-605E
646	Satin nickel	Steel	F-619E
651	Bright chrome	Steel	F-625E
652	Satin chrome	Steel	F-626E
643e/716	Aged bronze	Steel	F-716E

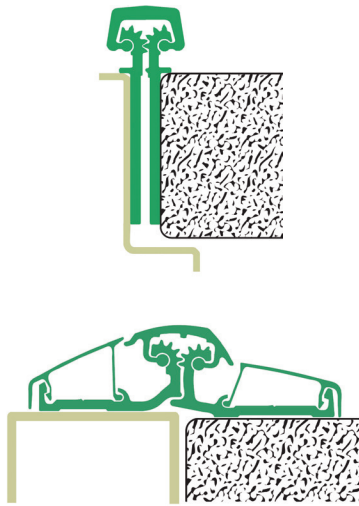
* Only available on 1011 model. For other colors, consult factory.

Ives Continuous Hinges are designed to last the life of the building. The unique design distributes the weight of the door along the entire length of the frame, reducing the high amount of stress normally associated at top of door and frame on butt hinge applications.

Not only does this reduce hinge failure, it also keeps your door in constant alignment, greatly reducing the chance of door sag. These characteristics make continuous hinges suitable for high use/high traffic doors.

The design of a continuous hinge eliminates the gap between the door and the frame. The absence of gap also helps prevent finger from being pinched, making it a safer device than traditional hinges. These benefits result in higher efficiency and less maintenance, maximizing the value of your opening investment.

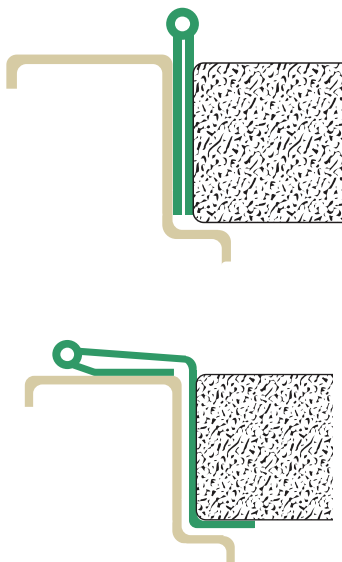
Continuous hinges are available in two styles; aluminum geared and pin and barrel in steel or stainless steel.



Aluminum geared

Geared continuous hinges utilize a single gear section for the leaf and a separate gear section for the frame side of the door. The two are held in place together by a full length cover channel and rotate on a series of bearings.

Ives provides two unique series of bearing designs. The HD model features a spread bearing design for lighter weight doors. The XY features a center load bearing design to help reduce frame issues and also has an available hospital tip cap and electric through-wire panel with a continuous cover.



Pin and barrel

Pin and Barrel hinges share many of the same characteristics of a traditional hinge. Both have a center pin and rolled knuckles. However, a continuous Pin and Barrel hinge stretches along the entire length of the frame. Ives offers both stainless steel and primed steel to best match your specific application.

Ives also offers the CS series pin and barrel hinges which provides a patented solution that brings the clean aesthetic design of aluminum geared continuous hinge to the ruggedness and safety afforded by stainless pin and barrel continuous hinges.

Lifetime warranty

Ives continuous hinges carry a limited lifetime warranty, ensuring your opening will function to your satisfaction every time. Please refer to the price book for more detailed warranty information.

General hinge information

ANSI Certified

All Ives Aluminum geared hinges are certified to ANSI 156.26, Grade 1

XY Models Grade 1 150lb and 300lb door test

HD Models Grade 1 150lb door test

UL Listed

All Ives Aluminum geared hinges are tested and approved UL 10C (90 minutes).

Material

6063-T6 Aluminum

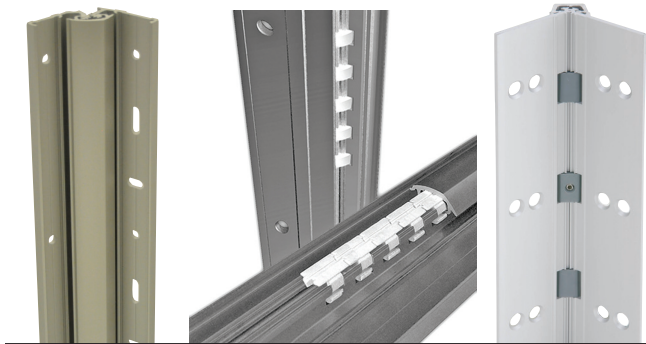
Hinge duty

All Ives Aluminum geared hinges are heavy duty (XY and HD models)

XY Model - Slot Adjustability

XY Model - Bearings

HD Model



XY Models:

- Rounded gear design for extended life and smoother operation.
- Patented, center loaded, interlocking bearing design which helps handle the opening and closing of the door better over time. All sizes have 37 Bearings.
- XY Mounting Slot Adjustability on all full and half surface models to help with installation.
- Frame guidance lip is extended further for retrofit applications to cover existing heavy weight architectural hinge preps.
- Improved aesthetics with a curved, articulating cover design which eliminates pinch points

HD Models

Features transmission gear design with bearings that are evenly spaced every 3" on center - Amount of bearings varies by size

- 83"32 Bearings

- 85"32 Bearings

- 95"36 Bearings

- 120"47 Bearings

Standard lengths

83", 85", 95", 119" (XY Models), 120" (HD Models) Custom lengths available up to 119", consult factory. Handing required for 224HD

Finishes

BHMA	US	Description	Base Material
628	US28	Clear aluminum anodized	Aluminum
710	313AN	Dark bronze anodized	Aluminum

Custom finishes available, consult factory.

Field modifications

Ives Aluminum geared continuous hinges can be cut to length from both ends during installation.

XY Models

The unique mounting pattern of the XY hinge allows it to be cut down to 69" while still having double row fasteners regardless of the original length of the hinge. Requires the hinge to be cut from both ends. Example: A 119" hinge can have 25" removed from each end to make it a 69" long hinge.

HD Models

The unique mounting pattern allows to cut up to 6" from bottom while still having double row fasteners. If cut more than 13.5", other modifications may be necessary.

Door weight

For doors up to 200 lbs, no door reinforcement is required. For doors between 200 and 450 lbs a 16 gauge channel in the frame is required. For doors up to 600 lb, rivet nuts are required in the frame in addition to the frame reinforcement. Max door width of 4'0".

Hospital tips

Hospital tip (HT) for XY models

The XY models features a new ligature resistant and tamper resistant Hospital Tip Cap. The design provides a single uniform 45° angle surface with no exposed edges or openings.



Mounting hardware

Standard hardware		
Full mortise hinges	12-24 x 3/4" Steel self drilling / self tapping phillips head screw	
Half surface hinges Includes 210XY	12-24 x 3/4" Steel self drilling / self tapping phillips head screw 12-24 x 3/4" Steel self drilling / self tapping hex head screw	
Full surface hinges 157XY Only	12-24 x 3/4" Steel self drilling / self tapping hex head screw	
Security screws - Hollow metal door and frame (SEC/HM)		
Full mortise hinges 112HD and 224HD only Available as accessory parts kit for full mortise XY hinges (026XY, 027XY, 040XY, 041XY, 112XY, 114XY, 224XY)	12-24 X 1/2" Stainless steel socket security screw	
Security screws - 1/2 wood, 1/2 hollow metal (SEC/WD/HM)		
Full Mortise Hinges 112HD and 224HD only Available as accessory parts kit for full mortise XY hinges (026XY, 027XY, 040XY, 041XY, 112XY, 114XY, 224XY)	12-24 X 1/2" Stainless steel socket security screw 12 X 1 1/4" Stainless steel socket security wood screw	
1/2 Self drill, self tap / 1/2 wood (TEK/WD)		
Full mortise hinges	12-24 x 3/4" Steel self drilling / self tapping phillips head screw	12 x 1 1/4" Phillips head wood screw
Half surface hinges	12-24 x 3/4" Steel self drilling / self tapping phillips head screw	1/4 x 1 1/2" Hex head lag screw
Full surface hinges	12-24 x 3/4" Steel self drilling / self tapping hex head screw	1/4 x 1 1/2" Hex head lag screw
Wood door and frame (WD)		
Full mortise hinges	12 x 1 1/4" Phillips head wood screw	
Half surface hinges Includes 210XY	12 x 1 1/4" Phillips head wood screw 1/4 x 1 1/2" Hex head lag screw	
Full surface hinges 157XY only	1/4 x 1 1/2" Hex head lag screw	
Thread forming (TF)		
Full mortise hinges 112HD and 224HD only Available as accessory parts kit for full mortise XY hinges (026XY, 027XY, 040XY, 041XY, 112XY, 114XY, 224XY)	12-24 x 3/4" Steel thread forming phillips head screw	

A19
Hinges & pivots

B
Pulls & plates

C
Flush bolts & coordinators

D
Latches, catches & bolts

E
Stops

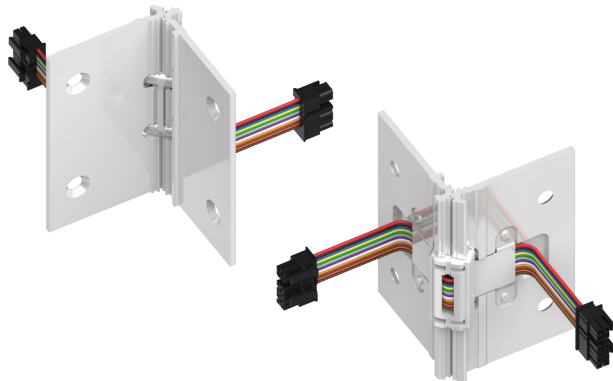
F
Exterior hardware

G
Miscellaneous hardware

General information - electrification options

Electric power transfer (EPT) available on HD and XY models

Electric power transfer provides the most secure and best solution for transferring power from the door frame to the edge of a swinging door. Ives Continuous Hinges provide standard cut outs to fit Von Duprin EPT-2, EPT-10 and PNT-1 devices. Consult factory for other electrical cut out options. Door handing is required.

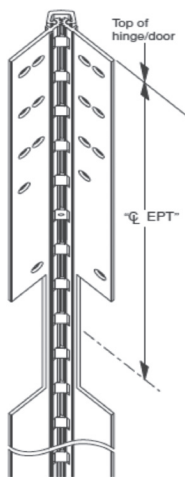


Electrical through-wire panel with Allegion Connect (TWP CON) (XY models only)

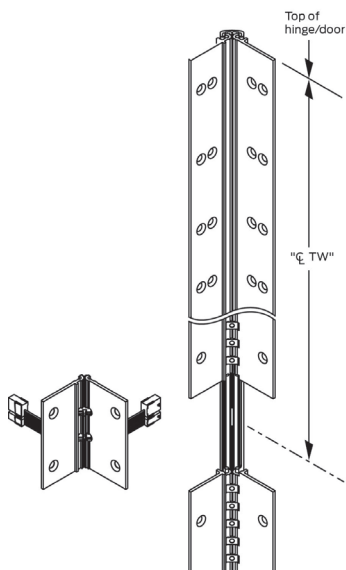
The most secure and best solution for powering your door. The redesigned XY Through-Wire Panel is heavy duty and easy-to-install. Hinge consists of single piece cover design for improved aesthetics and three sections with a standard bottom length and through-wire panel location. The panel can quickly slip in and out of the hinge for maintenance and replacement. Unlike all of the other manufacturer solutions, the XY through-wire panel maintains a one piece appearance on the cover side of the hinge. The new wire design features a teflon coated wire which greatly improves performance and durability. The new panel also comes standard with the Allegion Connect 8-pin and 4-pin connectors which make it easy to connect to other electrical consumption devices. Warrantied for up to 5 years. Door handing is required.

Provides electric power transfer from the frame to the door in order to supply power to an electrified mortise or cylindrical locks, exit devices with electric latch retraction, and/or electric strikes (pairs of doors). Through-wire is rated 50 volts AC/DC at 3.5 amp continuous and 16 amp pulse. Maximum pulse 400 milliseconds. Ives XY TWP hinges are fully compatible with up to 12 wire installations.

EPT 112HD



TWP XY Series



Note: See ordering guide in price book for proper placement.

Electrical cutouts

Ives aluminum continuous hinges are available with factory modified cutouts to accommodate most electrical frame to door requirements. Special templates are required.

When ordering indicate the following:

1. Opening size.
2. Handing. LH, RH, LHR or RHR.
3. Manufacturer and model number of the electrical product being used. Example; Von Duprin ETPT2

Because clearances may vary between door and frame manufacturer, and locations can be influenced by the door hardware it is always recommend contacting Ives Customer Technical for specific template information.

Below are standard locations for Von Duprin EPT2 or EPT10, and monitor switch.

In accordance with industry standards, all cutouts are made from top edge of door to center line of cut-out. If top of door to top of cut-out is provided, 4.3/4" are added to the dimension provided to determine the centerline of the cut-out. This provides an extra 1/8" of tolerance to ensure the EPT will fit during installation when varying installation methods are used.

Standard Length	HD	XY	XY
	EPT	EPT	TWP CON
83"	30"	30"	43.5"
85"	32"	32"	45.5"
95"	42"	42"	55.5"
119" (XY)	-	66"	79.5"
120" (HD)	67"	-	-

XY TWP CON is located 39.5 inches from bottom of the hinge. Consult factory for TWP locations on custom length hinges.

How to order

	112XY	HT	US28	83	TWP CON
Model					
026XY	Full mortise - narrow frame leaf, wide door leaf				
027XY	Full mortise - wide door leaf				
040XY	Full mortise - wide throw				
041XY	Full mortise - swing clear				
045XY	Half surface - narrow frame leaf, wide door leaf				
046XY	Half surface - wide door leaf				
053XY	Half surface - narrow frame leaf, narrow door leaf				
054XY	Half surface - narrow door leaf				
112XY	Full mortise - narrow frame and door leaf				
112HD	Full mortise - narrow frame and door leaf				
114XY	Full mortise - narrow frame leaf, door edge protector				
157XY	Full surface - center pivot				
210XY	Full surface - swing clear				
224XY	Full mortise - door edge protector				
224HD	Full mortise - door edge protector				
Option 1					
HT	Hospital tip (XY models only) (Only available on 026XY, 027XY, 040XY, 112XY, 114XY, 224XY)				
Finish					
US28	Clear Anodized Aluminum				
313AN	Dark Bronze Anodized Aluminum				
315AN	Black Anodized Aluminum (XY only)				
Custom finishes available, consult factory.					
Length					
83"					
85"					
95"					
119"(XY) / 120"(HD)					
Custom lengths available up to 119", consult factory. When specifying length, handing required.					
Option 2					
EPT	Electric power transfer prep (Only available on 026XY, 027XY, 112HD, 112XY, 114XY, 224HD, 224XY) Handing (LH and RH) Required for 026, 027, 114, and 224 models				
TWP CON	Through-wire Panel with Allegion Connect Standard (Only Available on 026XY, 027XY, 112XY, 114XY, 224XY)				
SECHM	Security fasteners - pin-in-socket				
SECWDHM	Security fasteners - pin-in-socket (half wood, half hollow metal)				
SECWDWD	Security fasteners - pin-in-socket (wood door and frame)				
WD	Wood door fasteners				
TEKWD	Half thread forming, half wood				
TF	Thread forming screws (pilot hole required) (Only available with 112HD and 224HD)				
TFWD	Half thread forming, half wood				

Hinges & pivots
A21

Pulls & plates
B

Flush bolts & coordinators
C

Latches, catches & bolts
D

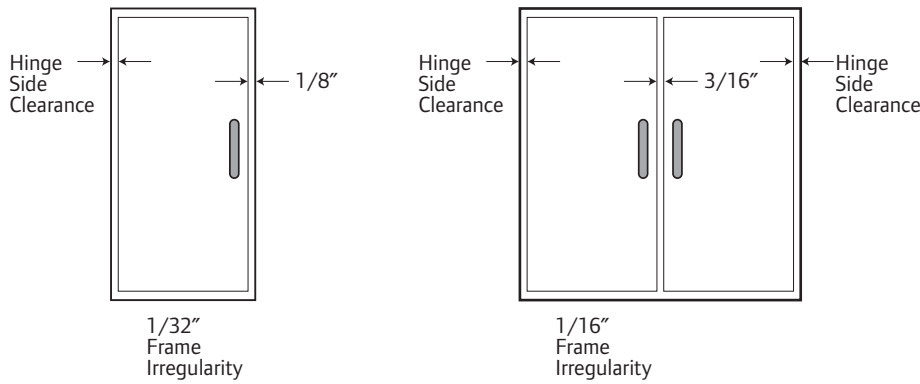
Stops
E

Exterior hardware
F

Miscellaneous hardware
G

Clearance requirements

Consult your local authority having jurisdiction for specific fire codes relating to fire rated doors. The table below is only recommended for non fire related doors.



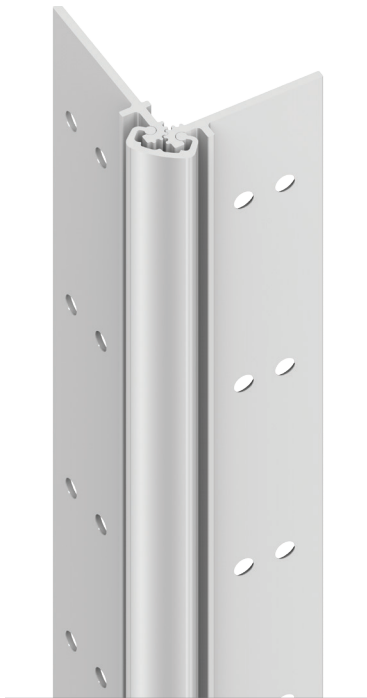
Single door

Model	Hinge-side clearance	Lock-side clearance	Frame irregularity	Beveled door clearance	Door under-sizing	
					Square edged	Beveled edge
026XY	5/16"	1/8"	1/32"	1/32"	15/32"	1/2"
027XY	5/16"	1/8"	1/32"	1/32"	15/32"	1/2"
040XY	5/16"	1/8"	1/32"	1/32"	15/32"	1/2"
041XY	5/16"	1/8"	1/32"	1/32"	15/32"	1/2"
045XY	5/32"	1/8"	1/32"	1/32"	5/16"	11/32"
046XY	5/32"	1/8"	1/32"	1/32"	5/16"	11/32"
053XY	5/32"	1/8"	1/32"	1/32"	5/16"	11/32"
054XY	5/32"	1/8"	1/32"	1/32"	5/16"	11/32"
112HD	5/16"	1/8"	1/32"	1/32"	15/32"	1/2"
112XY	5/16"	1/8"	1/32"	1/32"	15/32"	1/2"
114XY	5/16"	1/8"	1/32"	1/32"	15/32"	1/2"
157XY	1/16"	1/8"	1/32"	1/32"	7/32"	1/4"
210XY	1/16"	1/8"	1/32"	1/32"	7/32"	1/4"
224HD	5/16"	1/8"	1/32"	1/32"	15/32"	1/2"
224XY	5/16"	1/8"	1/32"	1/32"	15/32"	1/2"

Pair of doors

Model	Hinge-side clearance (2 doors)	Lock-side clearance	Frame irregularity (2 doors)	Beveled door clearance (2 doors)	Door under-sizing			
					Square edge total	Square edge each door	Beveled edge total	Beveled edge each door
026XY	5/8"	3/16"	1/16"	1/16"	7/8"	7/16"	15/16"	15/32"
027XY	5/8"	3/16"	1/16"	1/16"	7/8"	7/16"	15/16"	15/32"
040XY	5/8"	3/16"	1/16"	1/16"	7/8"	7/16"	15/16"	15/32"
041XY	5/8"	3/16"	1/16"	1/16"	7/8"	7/16"	15/16"	15/32"
045XY	5/16"	3/16"	1/16"	1/16"	9/16"	9/32"	5/8"	5/16"
046XY	5/16"	3/16"	1/16"	1/16"	9/16"	9/32"	5/8"	5/16"
053XY	5/16"	3/16"	1/16"	1/16"	9/16"	9/32"	5/8"	5/16"
054XY	5/16"	3/16"	1/16"	1/16"	9/16"	9/32"	5/8"	5/16"
112HD	5/8"	3/16"	1/16"	1/16"	7/8"	7/16"	15/16"	15/32"
112XY	5/8"	3/16"	1/16"	1/16"	7/8"	7/16"	15/16"	15/32"
114XY	5/8"	3/16"	1/16"	1/16"	7/8"	7/16"	15/16"	15/32"
157XY	1/8"	3/16"	1/16"	1/16"	3/8"	3/16"	7/16"	7/32"
210XY	1/8"	3/16"	1/16"	1/16"	3/8"	3/16"	7/16"	7/32"
224HD	5/8"	3/16"	1/16"	1/16"	7/8"	7/16"	15/16"	15/32"
224XY	5/8"	3/16"	1/16"	1/16"	7/8"	7/16"	15/16"	15/32"

Templates and installation instructions available on line at www.allegion.com/us



026XY Full mortise - narrow frame leaf, wide door leaf

- Wide door leaf for 2" and 2 1/4" doors
- Recommended for gasketing and weatherstripping applications
- Patented center loaded, interlocking bearing design
- Non-handed for custom cut lengths
- 3/32" door inset
- 48" Maximum door width
- Beveled or square edge doors
- Frame guidance lip is extended further for retrofit applications to cover existing heavy weight architectural hinge preps.
- For doors weighing up to 450 pounds without reinforcing.
- 600 pounds with reinforcing
- For lead-lined application consult factory for engineering specials

Certifications

- Meets ANSI 156.26 for 150lbs and 300lbs
- UL10C certified

Standard lengths

- 83", 85", 95", 119"

Standard mounting hardware

- 12-24 x 3/4" Steel self drilling / self tapping phillips head screw

Finishes

- Clear Anodized (US28), Dark Bronze Anodized (313AN), Black Anodized (315AN)
- Custom anodizing and painting are available, consult factory.

Options

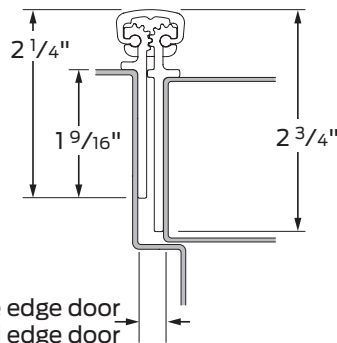
- HT.....Hospital tip
- EPT.....Electric power transfer
- TWP CON.....Electrical through-wire panel with Allegion Connect

Optional mounting hardware:

- TEKWD.....1/2 Self drill, self tap 1/2 wood
- WD.....Wood door and frame
- SECHM.....Security screws - hollow metal door and frame
- SECWDHM.....Security screws - 1/2 wood, 1/2 hollow metal
- SECWDWD.....Security screws - wood door and frame

For single door applications:

For pairs of doors see chart and general information



5/16" Clearance for square edge door
11/32" Clearance for beveled edge door

Hinges & pivots
A23

Pulls & plates
B

Flush bolts & coordinators
C

Latches, catches & bolts
D

Stops
E

Exterior hardware
F

Miscellaneous hardware
G

A24 Hinges & pivots
B Pulls & plates
C Flush bolts & coordinators
D Latches, catches & bolts
E Stops
F Exterior hardware
G Miscellaneous hardware



027XY Full mortise - wide door leaf

- Wide door leaf for 2" and 2 1/4" doors
- Recommended for gasketing and weatherstripping applications
- Patented center loaded, interlocking bearing design
- Non-handed for custom cut lengths
- Flush mounted, no inset
- 48" Maximum door width
- Beveled or square edge doors
- Frame guidance lip is extended further for retrofit applications to cover existing heavy weight architectural hinge preps
- For doors weighing up to 450 pounds without reinforcing, 600 pounds with reinforcing
- For lead-lined application consult factory for engineering specials

Certifications

- Meets ANSI 156.26 for 150lbs and 300lbs
- UL10C certified

Standard lengths

- 83", 85", 95", 119"

Standard mounting hardware

- 12-24 x 3/4" Steel self drilling / self tapping phillips head screw

Finishes

- Clear Anodized (US28), Dark Bronze Anodized (313AN), Black Anodized (315AN)
- Custom anodizing and painting are available, consult factory.

Options:

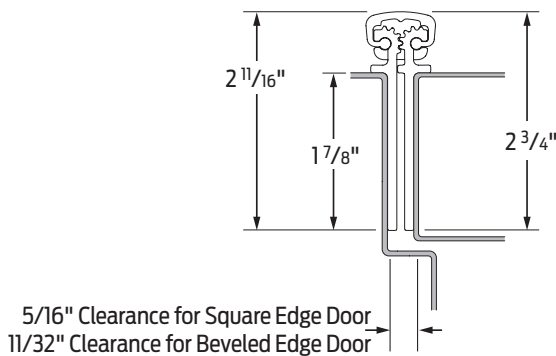
- HT.....Hospital tip
- EPTElectric power transfer
- TWP CON.....Electrical through-wire panel with allegion connect

Optional mounting hardware:

- SECHM.....Security screws - hollow metal door and frame
- SECWDHM.....Security screws - 1/2 wood, 1/2 hollow metal
- SECWDWDSecurity screws - wood door and frame
- TEKWD1/2 self drill, self tap 1/2 wood
- WD.....Wood door and frame

For single door applications:

For pairs of doors see chart and general information





040XY Full mortise - wide throw

- Wide throw for 1 3/4" doors
- Patented center loaded, interlocking bearing design
- Non-handed for custom cut lengths
- Flush mounted, no inset
- 48" Maximum door width
- Beveled or square edge doors
- Frame guidance lip is extended further for retrofit applications to cover existing heavy weight architectural hinge preps
- For doors weighing up to 450 pounds without reinforcing. 600 pounds with reinforcing
- For lead-lined application consult factory for engineering specials

Certifications

- Meets ANSI 156.26 for 150lbs and 300lbs
- UL10C certified

Standard lengths

- 83", 85", 95", 119"

Standard mounting hardware

- 12-24 x 3/4" Steel self drilling / self tapping phillips head screw

Finishes

- Clear Anodized (US28), Dark Bronze Anodized (313AN), Black Anodized (315AN)

Custom anodizing and painting are available, consult factory.

Options:

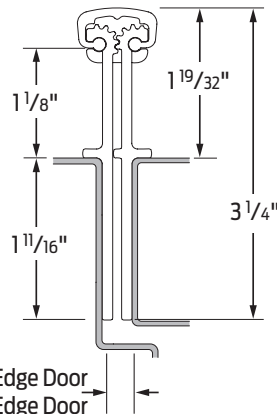
- HT.....Hospital tip

Optional mounting hardware:

- SECHM.....Security screws - hollow metal door and frame
- SECWDHM.....Security screws - 1/2 wood, 1/2 hollow metal
- SECWDWD.....Security screws - wood door and frame
- TEKWD.....1/2 self drill, self tap 1/2 wood
- WD.....Wood door and frame

For single door applications:

For pairs of doors see chart and general information



5/16" Clearance for Square Edge Door
11/32" Clearance for Beveled Edge Door

Hinges & pivots
A25

Pulls & plates
B

Flush bolts & coordinators
C

Latches, catches & bolts
D

Stops
E

Exterior hardware
F

Miscellaneous hardware
G

A26 Hinges & pivots
B Pulls & plates
C Flush bolts & coordinators
D Latches, catches & bolts
E Stops
F Exterior hardware
G Miscellaneous hardware



041XY Full mortise - swing clear

- Swing clear for 1 3/4" doors
- Installs easily on doors with 90° opening
- Door edge protector
- Patented center loaded, interlocking bearing design
- Non-handed for custom cut lengths
- 1/16" door inset
- 48" Maximum door width
- Beveled or square edge doors
- For doors weighing up to 450 pounds without reinforcing. 600 pounds with reinforcing
- For lead-lined application consult factory for engineering specials

Certifications

- Meets ANSI 156.26 for 150lbs and 300lbs
- UL10C certified

Standard lengths

- 83", 85", 95", 119"

Standard mounting hardware

- 12-24 x 3/4" Steel self drilling / self tapping phillips head screw

Finishes

- Clear Anodized (US28), Dark Bronze Anodized (313AN), Black Anodized (315AN)

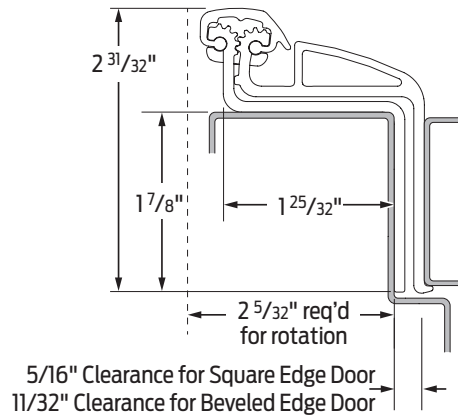
Custom anodizing and painting are available, consult factory.

Optional mounting hardware:

- SECHM.....Security screws - hollow metal door and frame
- SECWDHM.....Security screws - 1/2 wood, 1/2 hollow metal
- SECWDWD.....Security screws - wood door and frame
- TEKWD.....1/2 self drill, self tap 1/2 wood
- WD.....Wood door and frame

For single door applications:

For pairs of doors see chart and general information





045XY Half surface - narrow frame leaf, wide door leaf

- Half surface for retrofit or new construction
- Frame leaf depth 1-9/16"
- Patented center loaded, interlocking bearing design
- XY (lateral and vertical) adjustability while hanging the door
- Pinch point between cover and door is eliminated
- Non-handed for custom cut lengths
- 9/32" door inset
- Frame guidance lip is extended further for retrofit applications to cover existing heavy weight architectural hinge preps
- For doors weighing up to 450 pounds without reinforcing, 600 pounds with reinforcing
- For lead-lined application consult factory for engineering specials

Certifications

- Meets ANSI 156.26 for 150lbs and 300lbs
- UL10C certified

Standard lengths

- 83", 85", 95", 119"

Standard mounting hardware

- 12-24 x 3/4" Steel self drilling / self tapping hex head screw
- 12-24 x 3/4" Steel self drilling / self tapping phillips head screw

Finishes

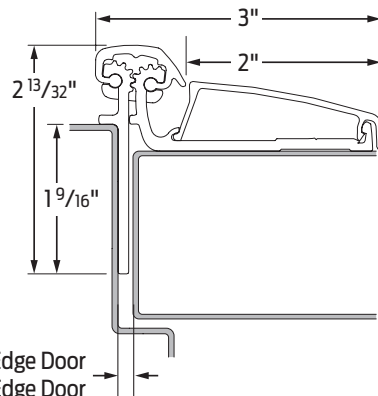
- Clear Anodized (US28), Dark Bronze Anodized (313AN), Black Anodized (315AN)
- Custom anodizing and painting are available, consult factory.

Optional mounting hardware:

- SECHM.....Security screws - hollow metal door and frame
- SECWDHM.....Security screws - 1/2 wood, 1/2 hollow metal
- SECWDWD.....Security screws - wood door and frame
- TEKWD.....1/2 self drill, self tap 1/2 wood
- WD.....Wood door and frame

For single door applications:

For pairs of doors see chart and general information



A28 Hinges & pivots
B Pulls & plates
C Flush bolts & coordinators
D Latches, catches & bolts
E Stops
F Exterior hardware
G Miscellaneous hardware



046XY Half surface - wide door leaf

- Half surface for retrofit or new construction
- Frame leaf depth 1-7/8"
- Patented center loaded, interlocking bearing design
- XY (lateral and vertical) adjustability while hanging the door
- Pinch point between cover and door is eliminated
- Non-handed for custom cut lengths
- 9/32" door inset
- Frame guidance lip is extended further for retrofit applications to cover existing heavy weight architectural hinge preps
- For doors weighing up to 450 pounds without reinforcing, 600 pounds with reinforcing
- For lead-lined application consult factory for engineering specials

Certifications

- Meets ANSI 156.26 for 150lbs and 300lbs
- UL10C certified

Standard lengths

- 83", 85", 95", 119"

Standard mounting hardware

- 12-24 x 3/4" Steel self drilling / self tapping hex head screw
- 12-24 x 3/4" Steel self drilling / self tapping phillips head screw

Finishes

- Clear Anodized (US28), Dark Bronze Anodized (313AN), Black Anodized (315AN)

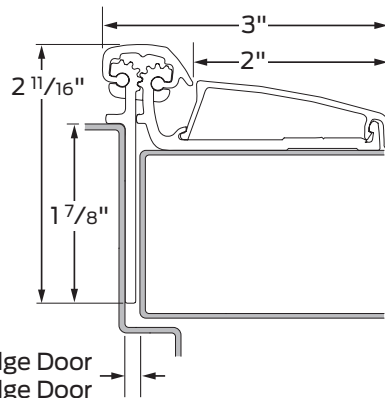
Custom anodizing and painting are available, consult factory.

Optional mounting hardware:

- SECHM.....Security screws - hollow metal door and frame
- SECWDHM.....Security screws - 1/2 wood, 1/2 hollow metal
- SECWDWD.....Security screws - wood door and frame
- TEKWD.....1/2 self drill, self tap 1/2 wood
- WD.....Wood door and frame

For single door applications:

For pairs of doors see chart and general information



5/32" Clearance for Square Edge Door
3/16" Clearance for Beveled Edge Door



O53XY Half surface - narrow frame leaf, narrow door leaf

- Half surface for retrofit or new construction
- Frame leaf depth 1-9/16"
- Recommended for gasketing and weatherstripping applications
- Patented center loaded, interlocking bearing design
- XY (lateral and vertical) adjustability while hanging the door
- Pinch point between cover and door is eliminated
- Non-handed for custom cut lengths
- 1/8" door inset
- Frame guidance lip is extended further for retrofit applications to cover existing heavy weight architectural hinge preps
- For doors weighing up to 450 pounds without reinforcing, 600 pounds with reinforcing
- For lead-lined application consult factory for engineering specials

Certifications

- Meets ANSI 156.26 for 150lbs and 300lbs
- UL10C certified

Standard lengths

- 83", 85", 95", 119"

Standard mounting hardware

- 12-24 x 3/4" Steel self drilling / self tapping hex head screw
- 12-24 x 3/4" Steel self drilling / self tapping phillips head screw

Finishes

- Clear Anodized (US28), Dark Bronze Anodized (313AN)
- Custom Anodizing and Painting are available, consult factory

Finishes

- Clear Anodized (US28), Dark Bronze Anodized (313AN), Black Anodized (315AN)

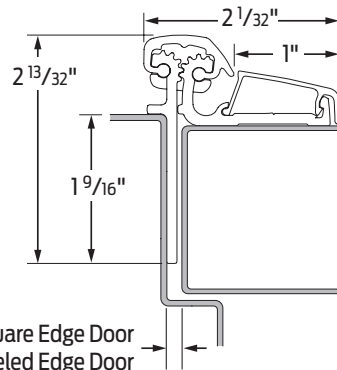
Custom anodizing and painting are available, consult factory.

Optional mounting hardware:

- SECHM.....Security screws - hollow metal door and frame
- SECWDHM.....Security screws - 1/2 wood, 1/2 hollow metal
- SECWDWD.....Security screws - wood door and frame
- TEKWD.....1/2 self drill, self tap 1/2 wood
- WD.....Wood door and frame

For single door applications:

For pairs of doors see chart and general information



5/32" Clearance for Square Edge Door
3/16" Clearance for Beveled Edge Door

Hinges & pivots
A29

Pulls & plates
B

Flush bolts & coordinators
C

Latches, catches & bolts
D

Stops
E

Exterior hardware
F

Miscellaneous hardware
G

A30 Hinges & pivots
B Pulls & plates
C Flush bolts & coordinators
D Latches, catches & bolts
E Stops
F Exterior hardware
G Miscellaneous hardware



054XY Half surface - narrow door leaf

- Half surface for retrofit or new construction
- Frame leaf depth 1-7/8"
- Recommended for gasketing and weatherstripping applications
- Patented center loaded, interlocking bearing design
- XY (lateral and vertical) adjustability while hanging the door
- Pinch point between cover and door is eliminated
- Non-handed for custom cut lengths
- 1/8" door inset
- Frame guidance lip is extended further for retrofit applications to cover existing heavy weight architectural hinge preps
- For doors weighing up to 450 pounds without reinforcing, 600 pounds with reinforcing
- For lead-lined application consult factory for engineering specials

Certifications

- Meets ANSI 156.26 for 150lbs and 300lbs
- UL10C certified

Standard lengths

- 83", 85", 95", 119"

Standard mounting hardware

- 12-24 x 3/4" Steel self drilling / self tapping hex head screw
- 12-24 x 3/4" Steel self drilling / self tapping phillips head screw

Finishes

- Clear Anodized (US28), Dark Bronze Anodized (313AN), Black Anodized (315AN)

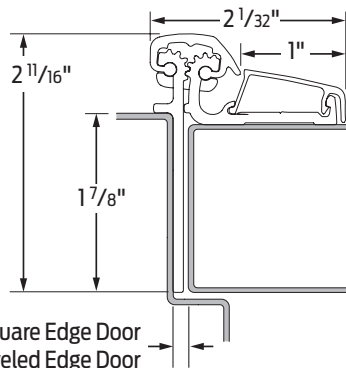
Custom anodizing and painting are available, consult factory.

Optional mounting hardware:

- SECHM.....Security screws - hollow metal door and frame
- SECWDHM.....Security screws - 1/2 wood, 1/2 hollow metal
- SECWDWD.....Security screws - wood door and frame
- TEKWD.....1/2 self drill, self tap 1/2 wood
- WD.....Wood door and frame

For single door applications:

For pairs of doors see chart and general information



5/32" Clearance for Square Edge Door
3/16" Clearance for Beveled Edge Door



112HD Full mortise - narrow frame and door leaf

- For 1 3/4" doors
- Spread bearing design
- Non-handed for custom cut lengths
- Flush mounted, no inset
- 48" Maximum door width
- Beveled or square edge doors
- For doors weighing up to 450 pounds without reinforcing, 600 pounds with reinforcing

Certifications

- Meets ANSI 156.26 for 150lbs
- UL10C certified

Standard lengths

- 83", 85", 95", 120"

Standard Mounting Hardware

- 12-24 x 3/4" Steel self drilling / self tapping phillips head screw

Finishes

- Clear Anodized (US28), Dark Bronze Anodized (313AN)

Custom anodizing and painting are available, consult factory.

Options:

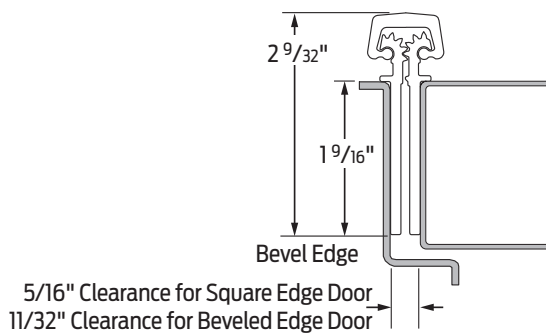
- EPTElectric power transfer

Optional mounting hardware:

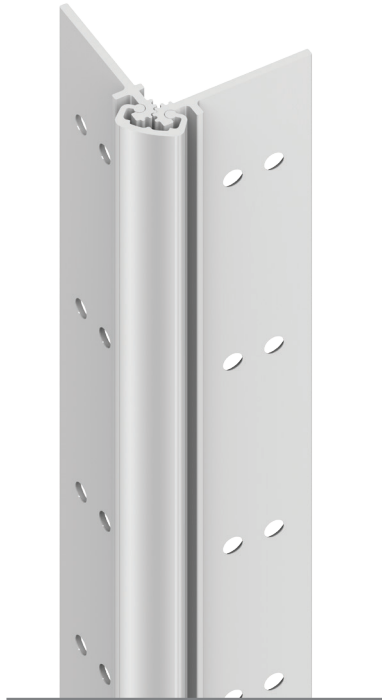
- SECHM.....Security screws - hollow metal door and frame
- SECWDHM.....Security screws - 1/2 wood, 1/2 hollow metal
- SECWDWDSecurity screws - wood door and frame
- TFThread forming screws
- TEKWD1/2 self drill, self tap 1/2 wood
- WD.....Wood door and frame

For single door applications:

For pairs of doors see chart and general information



A32 Hinges & pivots
B Pulls & plates
C Flush bolts & coordinators
D Latches, catches & bolts
E Stops
F Exterior hardware
G Miscellaneous hardware



112XY Full mortise - narrow frame and door leaf

- For 1 3/4" doors
- Patented center loaded, interlocking bearing design
- Non-handed for custom cut lengths
- Flush mounted, no inset
- 48" Maximum door width
- Beveled or square edge doors
- Frame guidance lip is extended further for retrofit applications to cover existing heavy weight architectural hinge preps
- For doors weighing up to 450 pounds without reinforcing, 600 pounds with reinforcing
- For lead-lined application consult factory for engineering specials

Certifications

- Meets ANSI 156.26 for 150lbs and 300lbs
- UL10C certified

Standard lengths

- 83", 85", 95", 119"

Standard mounting hardware

- 12-24 x 3/4" Steel self drilling / self tapping phillips head screw

Finishes

- Clear Anodized (US28), Dark Bronze Anodized (313AN), Black Anodized (315AN)

Custom anodizing and painting are available, consult factory.

Options:

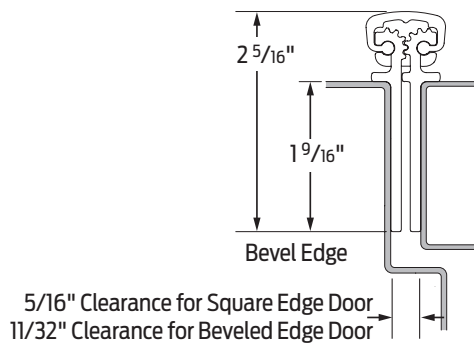
- HT.....Hospital tip
- EPTElectric power transfer
- TWP CON.....Electrical through-wire panel with Allegion Connect

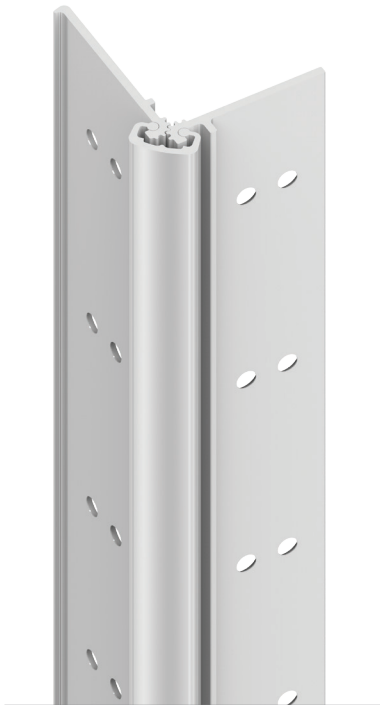
Optional mounting hardware:

- SECHM.....Security screws - hollow metal door and frame
- SECWDHM.....Security screws - 1/2 wood, 1/2 hollow metal
- SECWDWD.....Security screws - wood door and frame
- TEKWD1/2 self drill, self tap 1/2 wood
- WD.....Wood door and frame

For single door applications:

For pairs of doors see chart and general information





114XY Full mortise - narrow frame leaf, door edge protector

- For 1 3/4" doors
- Door edge protector
- Recommended for gasketing and weatherstripping applications
- Patented center loaded, interlocking bearing design
- Non-handed for custom cut lengths
- 1/16" door inset
- 48" Maximum door width
- Beveled or square edge doors
- Frame guidance lip is extended further for retrofit applications to cover existing heavy weight architectural hinge preps
- For doors weighing up to 450 pounds without reinforcing, 600 pounds with reinforcing
- For lead-lined application consult factory for engineering specials

Certifications

- Meets ANSI 156.26 for 150lbs and 300lbs
- UL10C certified

Standard lengths

- 83", 85", 95", 119"

Standard mounting hardware

- 12-24 x 3/4" Steel self drilling / self tapping phillips head screw

Finishes

- Clear Anodized (US28), Dark Bronze Anodized (313AN), Black Anodized (315AN)
- Custom anodizing and painting are available, consult factory.

Options:

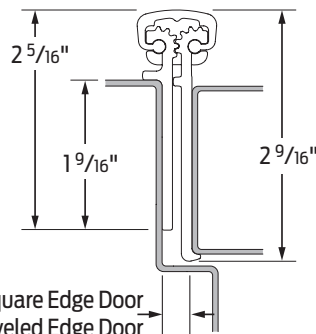
- HT.....Hospital tip
- EPT.....Electric power transfer
- TWP CON.....Electrical through-wire panel with Allegion Connect

Optional mounting hardware:

- SECHM.....Security screws - hollow metal door and frame
- SECWDHM.....Security screws - 1/2 wood, 1/2 hollow metal
- SECWDWD.....Security screws - wood door and frame
- TEKWD.....1/2 self drill, self tap 1/2 wood
- WD.....Wood door and frame

For single door applications:

For pairs of doors see chart and general information



5/16" Clearance for Square Edge Door
11/32" Clearance for Beveled Edge Door

A34 Hinges & pivots
B Pulls & plates
C Flush bolts & coordinators
D Latches, catches & bolts
E Stops
F Exterior hardware
G Miscellaneous hardware



157XY Full surface

- A patented easy-to-install, heavy duty, full surface continuous hinge
- Narrow Frame
- Patented center loaded, interlocking bearing design
- XY (lateral and vertical) adjustability while hanging the door
- Articulating cover design eliminates pinch point between center channel cover and door and frame leaf covers
- Non-handed for custom cut lengths
- 1/16" door inset
- 48" Maximum door width
- Beveled or square edge doors
- For doors weighing up to 550 lbs
- For lead-lined application consult factory for engineering specials

Certifications

- Meets ANSI 156.26 for 150lbs and 300lbs
- UL10C certified

Standard lengths

- 83", 95", 119"

Standard mounting hardware

- 12-24 x 1/2" Steel self drilling / self tapping hex head screw

Finishes

- Clear Anodized (US28), Dark Bronze Anodized (313AN), Black Anodized (315AN)

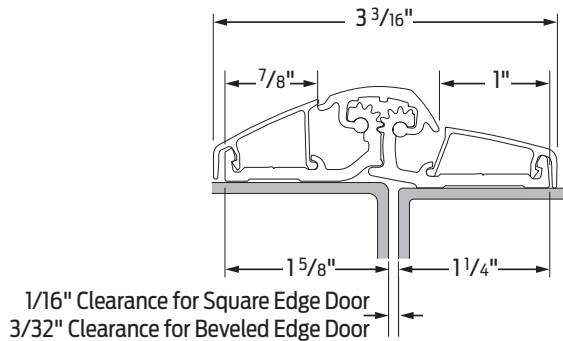
Custom anodizing and painting are available, consult factory.

Optional mounting hardware:

- TEKWD 1/2 self drill, self tap 1/2 wood
- WD..... Wood door and frame

For single door applications:

For pairs of doors see chart and general information





210XY Full surface - swing clear

- Patented center loaded, interlocking bearing design
- XY (lateral and vertical) adjustability while hanging the door
- Articulating cover design eliminates pinch point between center channel cover and door and frame leaf covers
- Non-handed for custom cut lengths
- 1/32" door inset
- 48" Maximum door width
- Beveled or square edge doors
- For doors weighing up to 550 pounds
- For lead-lined application consult factory for engineering specials

Certifications

- Meets ANSI 156.26 for 150lbs and 300lbs
- UL10C certified

Standard lengths

- 83", 85", 95", 119"

Standard mounting hardware

- 12-24 x 3/4" Steel self drilling / self tapping hex head screw
- 12-24 x 3/4" Steel self drilling / self tapping phillips head screw

Finishes

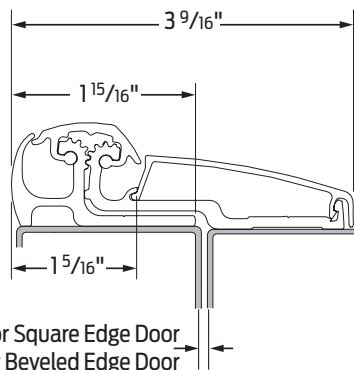
- Clear Anodized (US28), Dark Bronze Anodized (313AN), Black Anodized (315AN)
- Custom anodizing and painting are available, consult factory.

Optional mounting hardware:

- SECHM. Security screws - hollow metal door and frame
- SECWDHM. Security screws - 1/2 wood, 1/2 hollow metal
- SECWDWD Security screws - wood door and frame
- TEKWD 1/2 self drill, self tap 1/2 wood
- WD. Wood door and frame

For single door applications:

For pairs of doors see chart and general information



1/16" Clearance for Square Edge Door
3/32" Clearance for Beveled Edge Door

A36 Hinges & pivots
B Pulls & plates
C Flush bolts & coordinators
D Latches, catches & bolts
E Stops
F Exterior hardware
G Miscellaneous hardware



224HD Full mortise - door edge protector

- For 1 3/4" doors
- Door edge protector
- Spread bearing design
- Non-handed for custom cut lengths
- 1/16" Door Inset
- 48" Maximum door width
- Beveled or square edge doors
- For doors weighing up to 450 pounds without reinforcing, 600 pounds with reinforcing

Certifications

- Meets ANSI 156.26 for 150lbs
- UL10C certified

Standard lengths

- 83", 85", 95", 120"

Standard mounting hardware

- 12-24 x 3/4" Steel self drilling / self tapping phillips head screw

Finishes

- Clear Anodized (US28), Dark Bronze Anodized (313AN)

Custom anodizing and painting are available, consult factory.

Options:

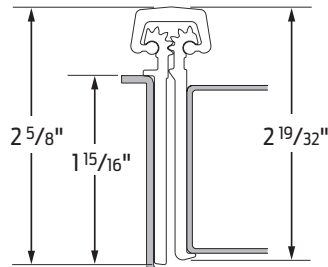
- EPTElectric power transfer

Optional mounting hardware:

- SECHM.....Security screws - hollow metal door and frame
- SECWDHM.....Security screws - 1/2 wood, 1/2 hollow metal
- SECWDWD.....Security screws - wood door and frame
- TF.....Thread forming screws
- TEKWD.....1/2 self drill, self tap 1/2 wood
- WD.....Wood door and frame

For single door applications:

For pairs of doors see chart and general information



5/16" Clearance for Square Edge Door
11/32" Clearance for Beveled Edge Door



224XY Full mortise - door edge protector

- For 1 3/4" doors
- Door edge protector
- Patented center loaded, interlocking bearing design
- Non-handed for custom cut lengths
- 1/16" door inset
- 48" Maximum door width
- Beveled or square edge doors
- Frame guidance lip is extended further for retrofit applications to cover existing heavy weight architectural hinge preps
- For doors weighing up to 450 pounds without reinforcing, 600 pounds with reinforcing
- For lead-lined application consult factory for engineering specials

Certifications

- Meets ANSI 156.26 for 150lbs and 300lbs
- UL10C certified

Standard lengths

- 83", 85", 95", 119"

Standard mounting hardware

- 12-24 x 3/4" Steel self drilling / self tapping phillips head screw

Finishes

- Clear Anodized (US28), Dark Bronze Anodized (313AN), Black Anodized (315AN)
- Custom anodizing and painting are available, consult factory.

Options:

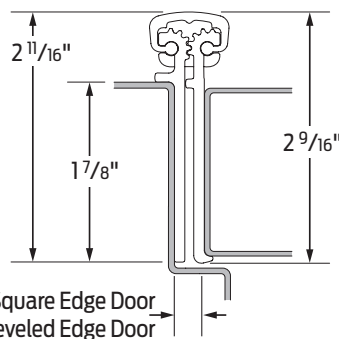
- HT.....Hospital tip
- EPTElectric power transfer
- TWP CON.....Electrical through-wire panel with Allegion Connect

Optional mounting hardware:

- SECHM.....Security screws - hollow metal door and frame
- SECWDHM.....Security screws - 1/2 wood, 1/2 hollow metal
- SECWDWD.....Security screws - wood door and frame
- TEKWD.....1/2 self drill, self tap 1/2 wood
- WD.....Wood door and frame

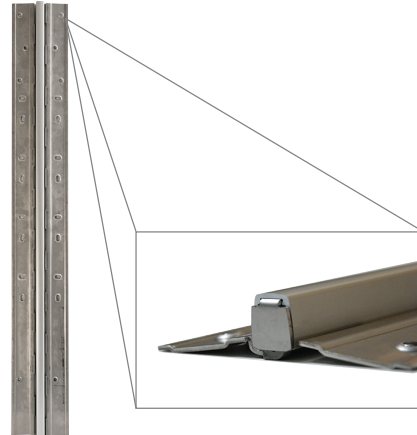
For single door applications:

For pairs of doors see chart and general information



5/16" Clearance for Square Edge Door
11/32" Clearance for Beveled Edge Door

General hinge information



Certifications

- 600 and 700 Series meets ANSI 156.26, Grade 1
- CS Series models certified ANSI 156.26, Grade 1, 150lb door test

UL Listed

- All Ives pin and barrel hinges are tested and approved UL 10C (3 hr).

Material

- 600 Series 1012 Series, 14 Gauge cold-rolled steel
- 700, 702, 705, 711, 715 Series 304 Series, 14 Gauge stainless steel
- CS Series 304 Series, 14 Gauge stainless steel body and 6063-T6 aluminum cover

Barrel Type

Standard series

The standard series pin and barrel continuous hinges features twin self lubricated nylon bearings with a stainless steel pin.

CS Series

The CS Series is a heavy duty, easy-to-install, stainless steel pin and barrel continuous hinge that can be used for fire applications and is highly suitable for after-market or new construction situations. The patented covers hide the unsightly pin and barrel of the standard pin and barrel hinges, giving the CS Series continuous hinge a stylish appearance to accompany heavy duty performance.

The CS Series includes medical grade, patented nylon winged bearings. They also include the XY adjustability feature which allows for better door alignment during installation.

Standard lengths

- 83", 85", 95", 120"
- Custom lengths available up to 120", consult factory.
- Handing required for 702, 705, 711, 715.

Finishes

BHMA	Description	Substrate	Finish
600 Series			
600	Grey primer paint	Steel	USP
700, 702, 705, 711, 715 Series			
630	Satin stainless steel	Stainless steel	US32D
700CS, 705CS, 711CS Series			
441	Satin stainless anodized	Aluminum	US32DAN
600	Grey primer paint	Aluminum	USP
628	Clear aluminum anodized	Aluminum	US28
688	Satin brass anodized	Aluminum	US4AN
709	Satin bronze anodized	Aluminum	US10AN
710	Dark bronze anodized	Aluminum	313AN
711	Black anodized	Aluminum	315AN
712	Bright chrome anodized	Aluminum	US26AN
713	Satin chrome anodized	Aluminum	US26DAN

Custom finishes available, consult factory.

Field modifications

Ives pin and barrel continuous hinges can be cut to length during installation.

Standard models

The unique mounting pattern allows to cut up to 6" from bottom while still having double row fasteners. If cut more than 13.5", other modifications may be necessary.

CS Models

The unique mounting pattern of the XY hinge allows it to be cut down to 69" while still having double row fasteners regardless of the original length of the hinge.

Example: A 119" hinge can have 25" removed from each end to make it a 69" long hinge.

Door weight

For doors up to 200 lbs, no door reinforcement is required. For doors between 200 and 300 lbs, a 16 gauge channel in the frame is required. For doors up to 600 lb (max door width of 4'0"), rivet nuts are required in the frame in addition to the frame reinforcement.

Hospital tips (HT) for standard models.

The standard hospital tip option includes an angle machined channel cover and bearing to provide a flush angled surface.

Must be ordered in exact lengths. Available on 600 and 700 series hinges.

Mounting hardware

Standard Hardware

600/602/611/700/702/705/711/715	10 x 1/2" Stainless self drilling / self tapping phillips head screw
	10 x 1" Stainless phillips head wood screw (1/2 pkg for door or frame)
700CS/711CS/715CS	12-24 x 3/4" Stainless self drilling / self tapping phillips head screw

Security screws - hollow metal door and frame (SECHM)

600/700/602/702/705/611/711/715	10 X 1/2" Stainless steel Torx security screw
700CS/711CS/715CS	12-24 x 1/2" Stainless security head machine screw

Security screws - 1/2 wood, 1/2 hollow metal (SECWDHM)

600/700/602/702/705/611/711/715	10 X 1/2" Stainless steel Torx security screw
	10 x 1" Stainless Torx security wood screw

Security screws - 1/2 wood, 1/2 hollow metal (SECWDWD)

600/700/602/702/705/611/711/715	10 x 1" Stainless Torx security wood screw
---------------------------------	--

Wood door and frame (WD)

600/602/611/700/702/705/711/715	10 x 1" Stainless phillips head wood screw
700CS/711CS/715CS	#12 x 1 1/4" Stainless sheet metal screw

A39
Hinges & pivots

B
Pulls & plates

C
Flush bolts & coordinators

D
Latches, catches & bolts

E
Stops

F
Exterior hardware

G
Miscellaneous hardware

General information - electrification options

Only available for the full mortise hinges

Electric power transfer (EPT) available on 600, 700, 705, 715, 700CS, 715CS models

Electric power transfer provides the most secure and best solution for transferring power from the door frame to the edge of a swinging door. Ives Pin and Barrel Hinges provide standard cut outs to fit Von Duprin EPT- 2, EPT-10 and PNT-1 devices. Consult factory for other electrical cut out options. Door handing is required.

Electrical through-wire (TW8) for standard models (600, 700, 705, 715) only

Recommended for low frequency usage. Provides electric power transfer from the frame to the door cable in order to supply power to an electrified mortise or cylindrical locks, exit devices with electric latch retraction, and/or electric strikes (pairs of doors). Through-wire is rated 50 volts AC/DC at 3.5 amp continuous and 16 amp pulse. Maximum pulse 400 milliseconds. Ives through-wire hinges are fully compatible with 4 wire and 8 wire installations. Available CON option comes with the Allegion Connect 8-pin Connector which makes it easy to connect to other electrical consumption devices. A monitor (MON) switch is available as an engineered special. Consult factory for availability.

Electrical through-wire panel with Allegion Connect (TWP) (700CS models only)

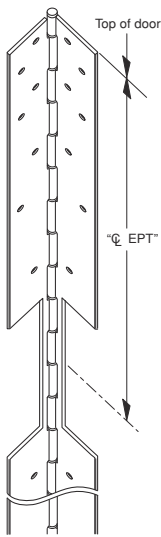
The through-wire panel solution works in the CS mortise hinge to maintain the clean aesthetic design of aluminum geared continuous hinges. Made with the same medical grade bearings of Ives other pin and barrel hinges, the CS Series brings through-wire panel innovation to your continuous hinge application while keeping its great looks.

The CS Series through-wire panel is a heavy duty, easy-to-install, stainless steel panel. Tested to 2.5 million cycles, the CS Series panel can quickly slip in and out of the hinge for maintenance and replacement.

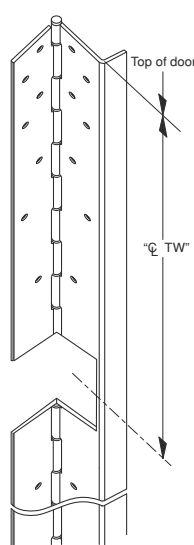
Unlike all of the other manufacturer solutions the CS Series through-wire panel maintains a one piece appearance on the cover side of the hinge. It installs with the same 5/16" clearance as aluminum geared hinges and works in all of the decorative cover finishes.

Provides electric power transfer from the frame to the door in order to supply power to an electrified mortise or cylindrical locks, exit devices with electric latch retraction, and/or electric strikes (pairs of doors). Through-wire panel is rated 50 volts AC/DC at 3.5 amp continuous and 16 amp pulse. Maximum pulse 400 milliseconds. Ives through-wire hinges are fully compatible with 4 wire and 8 wire installations. Available CON option comes with the Allegion Connect 8-pin Connector which makes it easy to connect to other electrical consumption devices.

EPT 600/700/
700CS



TW8 600/700s



Note: See ordering guide in price book for proper placement.

Standard Length	EPT	TW	TWP
83"	30"	43-19/32"	43-13/16"
85"	32"	45-17/32"	44-29/32"
95"	42"	55-17/32"	55-9/32"
120"	67"	80-17/32"	79-1/2"

Electrical Cutouts

Ives Pin & Barrel Continuous Hinges are available with factory modified cutouts to accommodate most electrical frame to door requirements. Special templates are required.

When ordering indicate the following:

1. Opening size.
2. Handing. LH, RH, LHR or RHR.
3. Manufacturer and model number of the electrical product being used. Example; Von Duprin ETPT2

Because clearances may vary between door and frame manufacturer, and locations can be influenced by the door hardware it is always recommend contacting Ives Customer Technical for specific template information.

For your general information following are standard locations for Von Duprin EPT2 or EPT10, and TW (through-wire).

In accordance with industry standards, all cutouts are made from Top Edge of Door to Center Line of Cut-out.

How to order

	700	HT	US32D	83	TW8 CON
Model					
Stainless steel					
700/700CS	Full Mortise				
702	Full Surface - Center Pivot				
705	Full mortise - full wrap				
711/711CS	Full surface - swing clear				
715/715CS	Full mortise - half wrap				
Steel					
600	Full mortise				
602	Full surface - center pivot				
611	Full surface - swing clear				
Option 1					
HT	Hospital tip (600 and 700 series only)				
Finish					
Stainless steel - only available on 700 Series					
US32D	Satin stainless steel				
Stainless steel / aluminum - only available on CS Series					
US32DAN	Satin stainless anodized				
USP	Grey primer paint				
US28	Clear aluminum anodized				
US4AN	Satin brass anodized				
US10AN	Satin bronze anodized				
313AN	Dark bronze anodized				
315AN	Black anodized				
US26AN	Bright chrome anodized				
US26DAN	Satin chrome anodized				
Steel - only available on 600 Series					
600	Grey primer paint				
Length					
83"					
85"					
95"					
120"					
Other lengths available up to 120", consult factory. Handing is required.					
Option 2					
EPT	Electric power transfer prep (600, 700, 705, 715, 700CS, 715CS models only) Handing (LH and RH) required for 026, 027, 114, and 224 models				
TWP	Through-wire panel (only available on 700CS)				
TW8	Electric through-wire (600, 700, 705, 715 models only)				
CON	Allegion Connect (600, 700, 705, 715, 700CS models only)				
SECHM	Security fasteners - Torx				
SECWDHM	Security fasteners - Torx (half wood, half hollow metal)				
SECWDWD	Security fasteners - Torx (wood door and frame)				
WD	Wood door fasteners				

Hinges & pivots
A41

Pulls & plates
B

Flush bolts & coordinators
C

Latches, catches & bolts
D

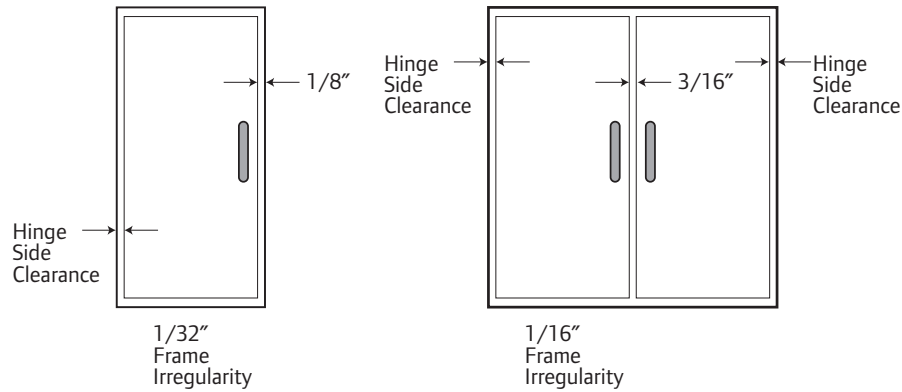
Stops
E

Exterior hardware
F

Miscellaneous hardware
G

Clearance requirements

Consult your local authority having jurisdiction for specific fire codes relating to fire rated doors. The table below is only recommended for non fire related doors.



Single door

Model	Hinge-side clearance	Lock-side clearance	Frame irregularity	Beveled door clearance	Door under-sizing	
					Square edged	Beveled edged
600	1/4"	1/8"	1/32"	1/32"	13/32"	7/16"
602	1/8"	1/8"	1/32"	1/32"	9/32"	5/16"
700	1/4"	1/8"	1/32"	1/32"	13/32"	7/16"
700CS	5/16"	1/8"	1/32"	1/32"	15/32"	1/2"
702	1/8"	1/8"	1/32"	1/32"	9/32"	5/16"
705	3/8"	1/8"	1/32"	1/32"	17/32"	9/16"
705*	1/2"	1/8"	1/32"	1/32"	21/32"	11/16"
711	7/32"	1/8"	1/32"	1/32"	3/8"	13/32"
711CS	3/8"	1/8"	1/32"	1/32"	17/32"	9/16"
715	1/4"	1/8"	1/32"	1/32"	13/32"	7/16"
715CS	5/16"	1/8"	1/32"	1/32"	15/32"	1/2"

* Use the Adjusta-Studs with 705

Pair of doors

Model	Hinge-side clearance	Lock-side clearance	Frame irregularity	Beveled door clearance	Door under-sizing			
					Square edge total	Square edge each door	Beveled edge total	Beveled edge each door
600	1/4"	3/16"	1/16"	1/16"	3/4"	3/8"	13/16"	13/32"
602	1/8"	3/16"	1/16"	1/16"	1/2"	1/4"	9/16"	9/32"
700	1/4"	3/16"	1/16"	1/16"	3/4"	3/8"	13/16"	13/32"
700CS	5/16"	3/16"	1/16"	1/16"	7/8"	7/16"	15/16"	15/32"
702	1/8"	3/16"	1/16"	1/16"	1/2"	1/4"	9/16"	9/32"
705	3/8"	3/16"	1/16"	1/16"	1"	1/2"	1-1/16"	17/32"
705*	1/2"	3/16"	1/16"	1/16"	1-1/4"	5/8"	1-5/16"	21/32"
711	7/32"	3/16"	1/16"	1/16"	11/16"	11/32"	3/4"	3/8"
711CS	3/8"	3/16"	1/16"	1/16"	1"	1/2"	1-1/16"	17/32"
715	1/4"	3/16"	1/16"	1/16"	3/4"	3/8"	13/16"	13/32"
715CS	5/16"	3/16"	1/16"	1/16"	7/8"	7/16"	15/16"	15/32"

* Use the Adjusta-Studs with 705



600 Full mortise pin and barrel continuous hinge - steel

700 Full mortise pin and barrel continuous hinge - stainless steel

- 1/4" diameter pin with nylon self-lubricating, medical grade split bearing
- For doors weighing up to 300 pounds without reinforcing. 600 pounds with reinforcing
- 1/8" Inset recommended for 1 3/4" doors
- 48" Maximum door width
- Non-handed for custom cut lengths
- Bevel or square edge door

Certifications

- Meets ANSI 156.26
- UL10C certified

Standard lengths

- 83", 85", 95", 120"

Standard mounting hardware

- #10 X 1/2" Self Drilling, Self Tapping Screws
- #10 X 1" Wood Screws

Material

- 600 - 1012 Cold-rolled steel
- 700 - 14 Gauge Type 304 stainless steel

Finishes

BHMA	Description	Substrate	Finish
600	Grey primer paint	Steel	USP
630	Satin stainless steel	Stainless steel	US32D

Custom paint available on 600 series, consult factory.

Options

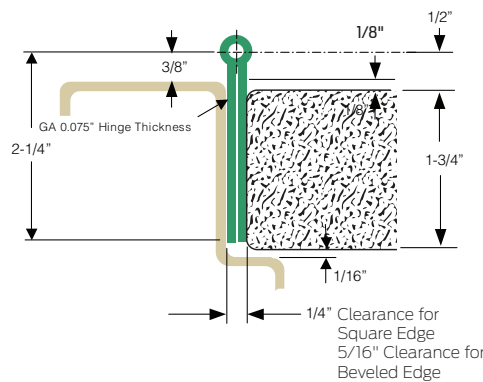
- HT.....Hospital tip
- EPT.....Electric power transfer
- TW8.....Electrical through-wire
- CON.....Allegion Connect

Optional mounting hardware

- SECHM.....Security screws - hollow metal door and frame
- SECWDHM.....Security screws - 1/2 wood, 1/2 hollow metal
- SECWDWD.....Security screws - wood door and frame
- WD.....Wood door and frame

For single door applications:

For pairs of doors see chart and general information



Hinges & pivots
A43

Pulls & plates
B

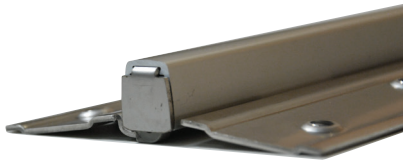
Flush bolts & coordinators
C

Latches, catches & bolts
D

Stops
E

Exterior hardware
F

Miscellaneous hardware
G



700CS Full mortise pin and barrel continuous hinge w/ decorative cover

- Patented cover protects hinge knuckle and creates a cleaner and neater appearance
- XY adjustability feature allows for better door alignment during installation
- Patented, medical grade, nylon winged bearings
- For doors weighing up to 300 pounds without reinforcing. 600 pounds with reinforcing
- 1/16" door inset
- 48" Maximum door width
- Non-handed
- Bevel or square edge door

Certifications

- Meets ANSI 156.26
- UL10C certified

Standard lengths

- 83", 85", 95", 120"

Standard mounting hardware

- 12-24 X 3/4" Self drilling, self tapping screws

Material

- 14 Gauge Type 304 stainless steel

Finishes

BHMA	Description	Substrate	Finish
441	Satin stainless anodized	Aluminum/Steel	US32DAN
600	Grey primer paint	Aluminum/Steel	USP
628	Clear aluminum anodized	Aluminum/Steel	US28
688	Satin brass anodized	Aluminum/Steel	US4AN
709	Satin bronze anodized	Aluminum/Steel	US10AN
710	Dark bronze anodized	Aluminum/Steel	313AN
711	Black anodized	Aluminum/Steel	315AN
712	Bright chrome anodized	Aluminum/Steel	US26AN
713	Satin chrome anodized	Aluminum/Steel	US26DAN

Custom paint available, consult factory. Standard custom paint is on cover only. Specify if paint on whole hinge is needed.

Options

- EPTElectric power transfer
- TW8Electrical through-wire
- CON.....Allegion Connect

Optional mounting hardware

- SECHM.....Security screws - hollow metal door and frame
- WD.....Wood door and frame

For single door applications:

For pairs of doors see chart and general information



602 Full surface pin and barrel continuous hinge - steel

702 Full surface pin and barrel continuous hinge - stainless steel

- 1/4" diameter pin with nylon self-lubricating, medical grade split bearing
- For doors weighing up to 300 pounds without reinforcing. 600 pounds with reinforcing
- Flush mounted, no inset
- 48" Maximum door width
- Non-handed for custom cut lengths
- Bevel or square edge door

Certifications

- Meets ANSI 156.26
- UL10C certified

Standard lengths

- 83", 85", 95", 120"

Standard mounting hardware

- #10 X 1/2" Self drilling, self tapping screws
- #10 X 1" Wood screws
- Cover clips

Material

- 602 - 1012 Cold-rolled steel
- 702 - 14 Gauge Type 304 stainless steel

Finishes

BHMA	Description	Substrate	Finish
600	Grey primer paint	Steel	USP
630	Satin stainless steel	Stainless steel	US32D

Custom paint available on 600 series, consult factory.

Options

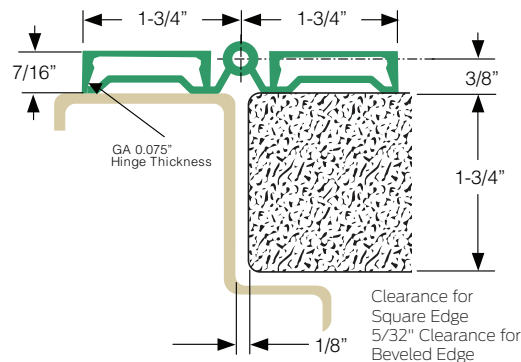
- HT.....Hospital tip

Optional mounting hardware

- SECHM.....Security screws - hollow metal door and frame
- SECWDHM.....Security screws - 1/2 wood, 1/2 hollow metal
- SECWDWD.....Security screws - wood door and frame
- WD.....Wood door and frame

For single door applications:

For pairs of doors see chart and general information



Hinges & pivots
A45

Pulls & plates
B

Flush bolts & coordinators
C

Latches, catches & bolts
D

Stops
E

Exterior hardware
F

Miscellaneous hardware
G

A46
Hinges & pivots

B
Pulls & plates

C
Flush bolts & coordinators

D
Latches, catches & bolts

E
Stops

F
Exterior hardware

G
Miscellaneous hardware



705 Full mortise, full wrap pin and barrel continuous hinge - stainless steel

- Full wrap edge guard
- Adjustable for undersized and out of square doors
- 1/4" diameter pin with nylon self-lubricating, medical grade split bearing
- For doors weighing up to 300 pounds without reinforcing. 600 pounds with reinforcing
- Flush mounted, no inset
- 48" Maximum door width
- Non-handed, handing required for custom cut lengths
- Bevel or square edge door

Certifications

- Meets ANSI 156.26
- UL10C certified

Standard lengths

- 83", 85", 95", 120"

Standard mounting hardware

- #10 X 1/2" Self drilling, self tapping screws
- #10 X 1" Wood screws

Material

- 14 Gauge Type 304 stainless steel

Finishes

BHMA	Description	Substrate	Finish
630	Satin stainless steel	Stainless steel	US32D

Custom paint available, consult factory.

Options

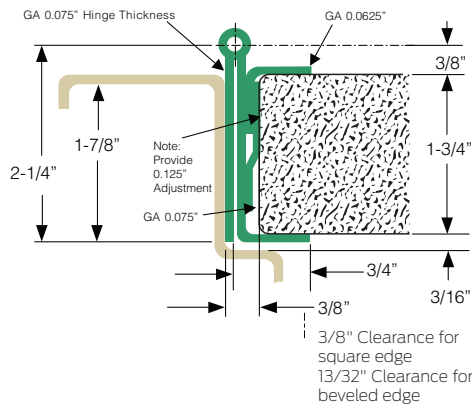
- HT.....Hospital tip
- EPTElectric Power Transfer
- TW8Electrical through-wire
- CON.....Allegion Connect

Optional mounting hardware

- SECHM.....Security screws - hollow metal door and frame
- SECWDHM.....Security screws - 1/2 wood, 1/2 hollow metal
- SECWDWDSecurity screws - wood door and frame
- WD.....Wood door and frame

For single door applications:

For pairs of doors see chart and general information



* Adjusta-Stud allows up to 3/8" width adjustment which ensures proper alignment and easy installation. Adjusta-Stud also makes it possible for future adjustments of the door on the frame through repositioning. If using Adjusta-Stud, 14 gauge reinforcements on frame and door required.



611 Swing clear pin and barrel continuous hinge - steel

711 Swing clear pin and barrel continuous hinge - stainless steel

- Edge guard
- May be difficult to install on inside walls
- 1/4" diameter pin with nylon self-lubricating, medical grade split bearing
- For doors weighing up to 300 pounds without reinforcing. 600 pounds with reinforcing
- 48" Maximum door width
- Non-handed, handing required for custom cut lengths
- Square edge door

Certifications

- Meets ANSI 156.26
- UL10C certified

Standard lengths

- 83", 85", 95", 120"

Standard mounting hardware

- #10 X 1/2" Self drilling, self tapping screws
- #10 X 1" Wood screws

Material

- 611 - 1012 cold-rolled steel
- 711 - 14 Gauge Type 304 stainless steel

Finishes

BHMA	Description	Substrate	Finish
600	Grey primer paint	Steel	USP
630	Satin stainless steel	Stainless steel	US32D

Custom paint available on 600 series, consult factory.

Options

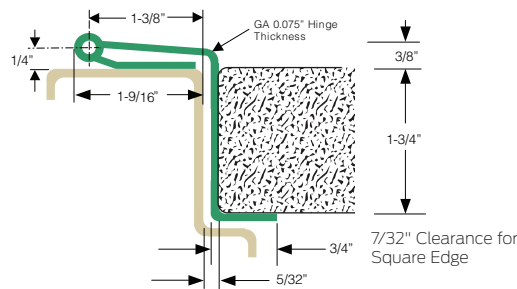
- HT.....Hospital tip

Optional mounting hardware

- SECHM.....Security screws - hollow metal door and frame
- SECWDHM.Security screws - 1/2 wood, 1/2 hollow metal
- SECWDWDSecurity screws - wood door and frame
- WD.....Wood door and frame

For single door applications:

For pairs of doors see chart and general information



Hinges & pivots
A47

Pulls & plates
B

Flush bolts & coordinators
C

Latches, catches & bolts
D

Stops
E

Exterior hardware
F

Miscellaneous hardware
G

A48	Hinges & pivots
B	Pulls & plates
C	Flush bolts & coordinators
D	Latches, catches & bolts
E	Stops
F	Exterior hardware
G	Miscellaneous hardware



711CS Swing clear pin and barrel continuous hinge w/ decorative cover

- Patented cover protects hinge knuckle and creates a cleaner and neater appearance
- XY adjustability feature allows for better door alignment during installation
- Edge guard
- Easy to install mounting location on mortise end of frame
- 2-11/16" minimum frame face requirement
- Patented, medical grade, nylon winged bearings
- For doors weighing up to 300 pounds without reinforcing. 600 pounds with reinforcing
- 1/16" door inset
- 48" Maximum door width
- Non-handed, handing required for custom cut lengths
- Square edge door

Certifications

- Meets ANSI 156.26
- UL10C certified

Standard lengths

- 83", 85", 95", 120"

Standard mounting hardware

- 12-24 X 3/4" Self drilling, self tapping screws

Material

- 14 Gauge Type 304 stainless steel

Finishes

BHMA	Description	Substrate	Finish
441	Satin stainless anodized	Aluminum/Steel	US32DAN
600	Grey primer paint	Aluminum/Steel	USP
628	Clear aluminum anodized	Aluminum/Steel	US28
688	Satin brass anodized	Aluminum/Steel	US4AN
709	Satin bronze anodized	Aluminum/Steel	US10AN
710	Dark bronze anodized	Aluminum/Steel	313AN
711	Black anodized	Aluminum/Steel	315AN
712	Bright chrome anodized	Aluminum/Steel	US26AN
713	Satin chrome anodized	Aluminum/Steel	US26DAN

Custom paint available, consult factory. Standard custom paint is on cover only. Specify if paint on whole hinge is needed.

Optional mounting hardware

- SECHM.....Security screws - hollow metal door and frame
- WD.....Wood door and frame

For single door applications:

For pairs of doors see chart and general information



715 Full mortise, half wrap pin and barrel continuous hinge - stainless steel

- Half wrap edge guard
- 1/4" diameter pin with nylon self-lubricating, medical grade split bearing
- For doors weighing up to 300 pounds without reinforcing. 600 pounds with reinforcing
- 1/16" door inset
- 48" Maximum door width
- Non-handed, handing required for custom cut lengths
- Square edge door

Certifications

- Meets ANSI 156.26
- UL10C certified

Standard lengths

- 83", 85", 95", 120"

Standard mounting hardware

- #10 X 1/2" Self Drilling, Self Tapping Screws
- #10 X 1" Wood Screws

Material

- 14 Gauge Type 304 Stainless Steel

Finishes

BHMA	Description	Substrate	Finish
630	Satin stainless steel	Stainless steel	US32D

Custom paint available on 600 series, consult factory.

Options

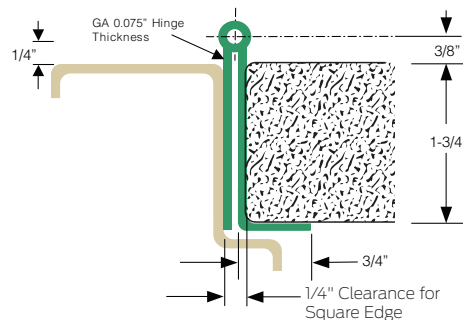
- HT.....Hospital tip
- EPT.....Electric power transfer
- TW8.....Electrical through-wire
- CON.....Allegion Connect

Optional mounting hardware

- SECHM.....Security screws - hollow metal door and frame
- SECWDHM.....Security screws - 1/2 wood, 1/2 hollow metal
- SECWDWD.....Security screws - wood door and frame
- WD.....Wood door and frame

For single door applications:

For pairs of doors see chart and general information



Hinges & pivots
A49

Pulls & plates
B

Flush bolts & coordinators
C

Latches, catches & bolts
D

Stops
E

Exterior hardware
F

Miscellaneous hardware
G

A50 Hinges & pivots
B Pulls & plates
C Flush bolts & coordinators
D Latches, catches & bolts
E Stops
F Exterior hardware
G Miscellaneous hardware



715CS Full mortise, half wrap pin and barrel continuous hinge w/ decorative cover

- Patented cover protects hinge knuckle and creates a cleaner and neater appearance
- XY adjustability feature allows for better door alignment during installation
- Half wrap edge guard
- Patented, medical grade, nylon winged bearings
- For doors weighing up to 300 pounds without reinforcing. 600 pounds with reinforcing
- Flush mounted, no inset
- 48" Maximum door width
- Non-handed, handing required for custom cut lengths
- Square edge door

Certifications

- Meets ANSI 156.26
- UL10C certified

Standard lengths

- 83", 85", 95", 120"

Standard mounting hardware

- 12-24 X 3/4" Self drilling, self tapping screws

Material

- 14 Gauge Type 304 stainless steel

Finishes

BHMA	Description	Substrate	Finish
441	Satin stainless anodized	Aluminum/Steel	US32DAN
600	Grey primer paint	Aluminum/Steel	USP
628	Clear aluminum anodized	Aluminum/Steel	US28
688	Satin brass anodized	Aluminum/Steel	US4AN
709	Satin bronze anodized	Aluminum/Steel	US10AN
710	Dark bronze anodized	Aluminum/Steel	313AN
711	Black anodized	Aluminum/Steel	315AN
712	Bright chrome anodized	Aluminum/Steel	US26AN
713	Satin chrome anodized	Aluminum/Steel	US26DAN

Custom paint available, consult factory. Standard custom paint is on cover only. Specify if paint on whole hinge is needed.

Options

- EPTElectric power transfer

Optional mounting hardware

- SECHM.....Security screws - hollow metal door and frame
- WD.....Wood door and frame

For single door applications:

For pairs of doors see chart and general information

The door rests on the bottom pivot in this application. This reduces the stress on the frame by distributing the weight of the door throughout the floor and structure. By taking advantage of the strength of the structure, this makes a pivot the ideal solution for your heavy doors. Center and pocket pivots also provide an aesthetic option for your opening.

Used in conjunction with rescue hardware, center hung pivots allows a bi-directional door swing in emergency situations. When a patient becomes trapped behind an inward swing door, the center tong depresses allowing the door to swing in the opposite direction without causing damage to the frame.



General information

Complete line of 3/4" offset, 1-1/2" offset, center hung, intermediate and power transfer pivots with all exposed parts made of brass or stainless steel for maximum corrosion resistance. Designed for heavy weight doors in high frequency (above 1250 cycles per day) applications.

UL LISTED

- Ives non-rated brass Pivots are tested and approved UL 10C (20 min) as noted on model.
- Ives rated stainless steel Pivots are tested and approved UL 10C (3 hrs) as noted on model.

MATERIAL

High strength brass and 304 series stainless steel forgings, and castings for rated and non-rated doors combined with radial and needle precision bearings for smooth operation.

See specific models for more information.

PIVOT DUTY

Last digit in pivot set number reflects the maximum door weight in hundreds of pound, e.g., 7215 = 500 pounds. For sets designated as "heavy duty", add 1,000 pounds, e.g., 7237F HD set = 1700 pounds.

Pivots for lead lined doors are available. Verify location and size of lead lining in door to determine product compatibility. Consult product support.

See table below for selecting the proper pivot for the application.

Add additional Intermediate Pivots for each 100 pounds of door weight and/or for doors exceeding 7' in height. Intermediate pivots should be placed every 2'6" as needed.

MOUNTING HARDWARE

Stainless steel machine screws and wood screws standard for all metal door and frames and metal frame/wood door applications. Positive locking vertical adjustment mechanism allows the installer to precisely position the door and balance the load.

FINISHES

BHMA	Description	Substrate	Finish
600	Primer paint	Stainless steel	USP
605	Bright brass	Brass	US3
606	Satin brass	Brass	US4
612	Satin bronze	Brass	US10
613	Oil rubbed bronze	Brass	US10B
619	Satin nickel	Brass	US15
622	Matte black	Brass	BLK
625	Bright chrome	Brass	US26
626	Satin chrome	Brass	US26D
629	Bright stainless	Stainless steel	US32*
630	Satin brass	Stainless steel	US32D*
631	Matte black	Stainless steel	BLK
632*	Satin brass	Steel	US3
639*	Satin bronze	Steel	US10
640**	Oil rubbed bronze	Steel	US10B
646**	Satin nickel	Steel	US15
643e/716	Aged bronze	Brass/Stainless	643e/716
689	Aluminum painted	Brass/Stainless	SP28
691	Bronze painted	Brass/Stainless	SP10
695	Dark bronze painted	Brass/Stainless	SP313
706	Brass painted	Brass/Stainless	SP4

* Available on F fire-rated pivots and pocket pivots only.

** Available on pocket pivots only

For other colors, consult product support.

ELECTRIFICATION OPTIONS

Electrified pivots are non-load bearing. Provides electric power transfer from the frame to the door in order to supply power to an electrified mortise or cylindrical locks, exit devices with electric latch retraction, and/or electric strikes (pairs of doors). Each wire is 28 AWG and rated 50 volts AC/DC at 3.5 amp continuous and 16 amp pulse. Maximum pulse 400 milliseconds.

The Ives Power Transfer Intermediate (PT INT) pivots and Electrified Pocket Pivot (E) are available in 4 wire (TW4) or 8 wire (TW8). Supplied standard with Allegion Connect 4 or 8-pin Connector (CON) which makes it easy to connect to other electrical consumption devices.

7200 SERIES PIVOT SELECTION CHART

Pivot set	Pivot type	Bottom style mounting	UL listing	Max. door weight	Handing	When ordering separate pivot applications, the following descriptions will be used for the pivot.		
						Top	Bottom	Intermediate
7212	3/4" Offset	Jamb mounted	20 Minute	200	LH or RH	7212-7215-7222-7226-7227 TOP	7212 BTM	7212-7212V-7222 INT
7212V	3/4" Offset	Jamb mounted	20 Minute	200	LH or RH	7212V TOP	7212 BTM	7212-7212V-7222 INT
7215	3/4" Offset	Jamb mounted	20 Minute	500	LH or RH	7212-7215-7222-7226-7227 TOP	7215 BTM	7215-7226-7227 INT
7215F	3/4" Offset	Jamb mounted	3 Hour	500	LH or RH	7215F-7226F-7227F TOP	7215F BTM	7215F-7226F-7227F INT
7222	3/4" Offset	Floor mounted	20 Minute	200	LH or RH	7212-7215-7222-7226-7227 TOP	7222 BTM	7212-7212V-7222 INT
7226	3/4" Offset	Floor mounted	20 Minute	600	Non-handed	7212-7215-7222-7226-7227 TOP	7226 BTM	7215-7226-7227 INT
7226F	3/4" Offset	Floor mounted	3 Hour	600	Non-handed	7215F-7226F-7227F TOP	7226F BTM	7215F-7226F-7227F INT
7227	3/4" Offset	Mortise cement case	20 Minute	700	Non-handed	7212-7215-7222-7226-7227 TOP	7227 BTM	7215-7226-7227 INT
7227F	3/4" Offset	Mortise cement case	3 Hour	700	Non-handed	7215F-7226F-7227F TOP	7227F BTM	7215-7226-7227 INT
7230F	3/4" Offset	Floor mounted	3 Hour	1,000	Non-handed	7230F-7237F TOP	7230F BTM	7215F-7226F-7227F INT
7237F	3/4" Offset	Mortise cement case	3 Hour	1,750	Non-handed	7230F-7237F TOP	7237F BTM	7230F-7237F INT
7244F	1-1/2" Offset	Floor mounted	3 Hour	400	Non-handed	7244F-7245F TOP	7244F BTM	7230F-7237F INT
7245F	1-1/2" Offset	Mortise cement case	3 Hour	500	Non-handed	7244F-7245F TOP	7245F BTM	7244F-7245F INT
7253	Center hung	Floor mounted	none	300	Non-handed	7253-7255-7255J-7256 TOP	7253 BTM	7244F-7245F INT
7255	Center hung	Floor mounted	none	500	Non-handed	7253-7255-7255J-7256 TOP	7255 BTM	none
7255J	Center hung	Jamb mounted	none	500	Non-handed	7253-7255-7255J-7256 TOP	7255J BTM	none
7256	Center hung	Mortise cement case	none	600	Non-handed	7253-7255-7255J-7256 TOP	7256 BTM	none
7259	Center hung	Mortise cement case	none	1,000	Non-handed	7259 TOP	7259 BTM	none

How to order

7212 - SET - LH - US3

Model

7212
7212V
7215
7215F
7222
7226
7226F
7227
7227F
7230F
7237F
7244F
7245F
7253
7255
7255J
7256
7259
91105F
E91105F

Style

SET Top and bottom set
TOP Top pivot only
BTM Bottom pivot only
INT Intermediate pivot only
PT INT Power transfer intermediate pivot only

Handing

LH Left hand door
RH Right hand door
Required on 7212, 7212V, 7222, all INT, and all PT INT.

Finish

BHMA	Description	Finish
600	Primer paint	USP
605	Bright brass	US3
606	Satin brass	US4
612/639	Satin bronze	US10
613	Oil rubbed bronze	US10B
619	Satin nickel	US15
622/631	Matte black	BLK
625	Bright chrome	US26
626	Satin chrome	US26D
629	Bright stainless	US32
630	Satin brass	US32D
643e/716	Aged bronze	643e/716
689	Aluminum painted	SP28
691	Bronze painted	SP10
695	Dark bronze painted	SP313
706	Brass painted	SP4

Note: Please view specific models for info on availability.

A53
Hinges & pivots

B
Pulls & plates

C
Flush bolts & coordinators

D
Latches, catches & bolts

E
Stops

F
Exterior hardware

G
Miscellaneous hardware

IVES® Offset pivots

A54
Hinges & pivots

B
Pulls & plates

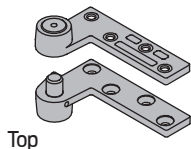
C
Flush bolts & coordinators

D
Latches, catches & bolts

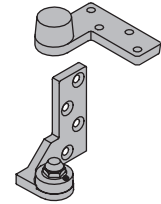
E
Stops

F
Exterior hardware

G
Miscellaneous hardware



Top



Btm

7212 3/4" Offset pivot, 200lb with top header mount

- Maximum door load 200 pounds
- Recommended for use with 1-3/4" minimum door thickness, with 1/8" bevel in 2"
- Vertical adjustment range 3/16", with positive locking
- Handed LH or RH
- 7212 Set (7212 Top and 7212 Btm)
- 7212 Top (7212-7215-7222-7226-7227 Top), header mount
- 7212 Btm (7212 Btm), jamb mount

Certifications

- Meets ANSI/BHMA A156.4 C07131
- UL Listed, 20 minute fire doors

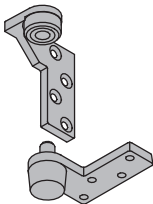
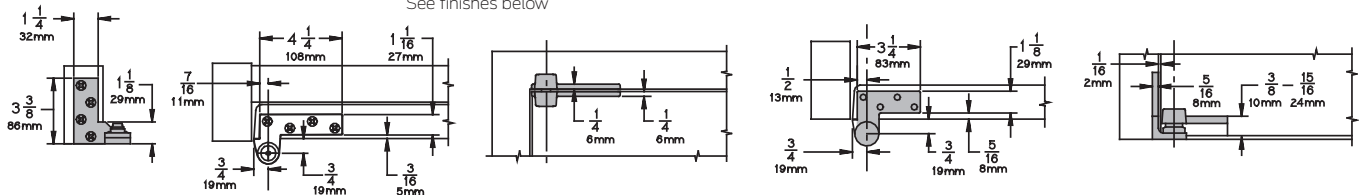
Material substrate

- Made from cast brass

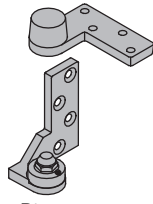
See finishes below

Available accessory items

- Use 7212 INT (7212-7212V-7222) Intermediate Pivot (handed) as needed. See General Information for specifics on how many intermediate pivots are recommended.



Top



Btm

7212V 3/4" Offset pivot, 200lb with top jamb mount

- Maximum door load 200 pounds
- Recommended for use with 1-3/4" minimum door thickness, with 1/8" bevel in 2"
- Vertical adjustment range 3/16", with positive locking
- Handed LH or RH
- 7212V Set (7212V Top and 7212 Btm)
- 7212V Top (7212V), jamb mount
- 7212 Btm (7212 Btm), jamb mount

Certifications

- Meets ANSI/BHMA A156.4 C07131
- UL Listed, 20 minute fire doors

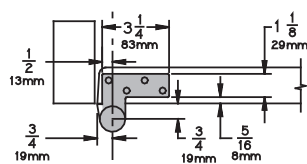
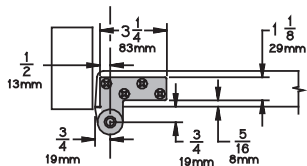
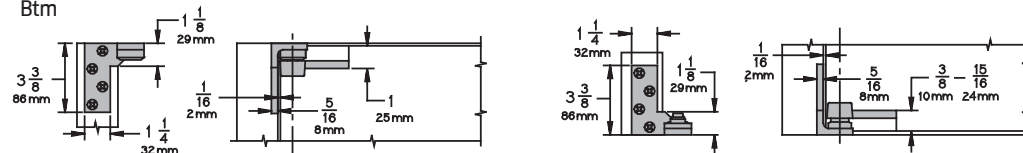
Material substrate

- Made from cast brass

See finishes below.

Available accessory items

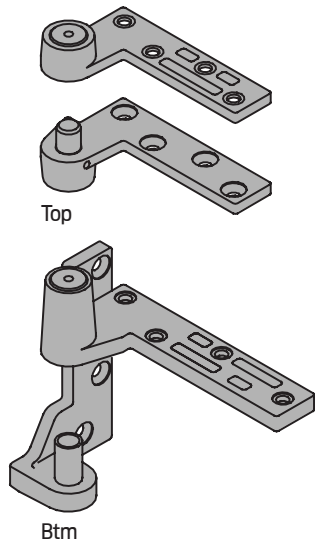
- Use 7212 INT (7212-7212V-7222) Intermediate Pivot (handed) as needed. See General Information for specifics on how many intermediate pivots are recommended.



7212 and 7212V Finishes

BHMA	Description	Substrate	Finish
605	Bright brass	Brass	US3
606	Satin brass	Brass	US4
612	Satin bronze	Brass	US10
613	Oil rubbed bronze	Brass	US10B
619	Satin nickel	Brass	US15
622	Matte black	Brass	BLK
625	Bright chrome	Brass	625
626	Satin chrome	Brass	626
---	Aged bronze	Brass	643e/716
689	Aluminum painted	Brass	SP28
691	Bronze painted	Brass	SP10
695	Dark bronze painted	Brass	SP313
706	Brass painted	Brass	SP4

For other colors, consult factory.



7215 3/4" Offset pivot, 500lb with top header mount 7215F 3/4" Offset pivot, 500lb with top header mount, fire rated

- Maximum door load 500 pounds
- Recommended for use with 1-3/4" minimum door thickness, with 1/8" bevel in 2"
- Vertical adjustment range 3/16", with positive locking
- Handed LH or RH
- 7215 Set (7215 Top and 7215 Btm)
- 7215 Top (7212-7215-7222-7226-7227 Top), header mount
- 7215 Btm (7215 Btm), jamb mount
- 7215F Set (7215F Top and 7215F Btm)
- 7215F Top (7215F-7226F-7227F Top), header mount
- 7215F Btm (7215F Btm), jamb mount
- Optional WP resistant bottom pivot is modified for improved corrosion resistance Available in US26D (626) or US32D (630) only

Certifications

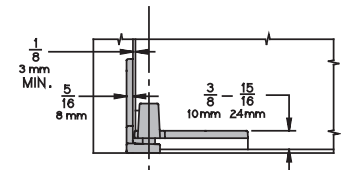
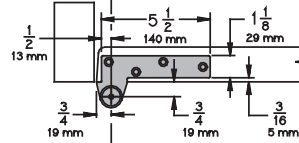
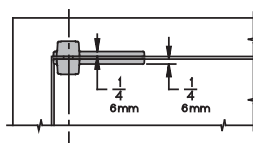
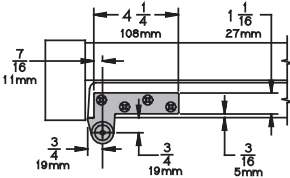
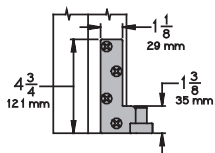
- Meets ANSI/BHMA A156.4 C07131
- 7215 - UL Listed, 20 minute fire doors
- 7215F - UL Listed, 3 hour fire doors

Material substrate

- 7215 - Made from cast brass
- 7215F - Made from 304 series stainless steel

Available accessory items

- Use 7215 INT (7215-7226-7227) Intermediate Pivot (handed) as needed. See General Information for specifics on how many intermediate pivots are recommended.
- Use 7215F INT (7215F-7226F-7227F) Intermediate Pivot (handed) as needed. See General Information for specifics on how many intermediate pivots are recommended.
- For electrical applications, use 7215PT INT (7215-7226-7227 PT INT) or 7215FPT INT (7215F-7226F-7227F PT INT) Power Transfer Intermediate pivot. For additional electrical wiring applications, consult product support.



7215 Finishes

BHMA	Description	Substrate	Finish
605	Bright brass	Brass	US3
606	Satin brass	Brass	US4
612	Satin bronze	Brass	US10
613	Oil rubbed bronze	Brass	US10B
619	Satin nickel	Brass	US15
622	Matte black	Brass	BLK
625	Bright chrome	Brass	625
626	Satin chrome	Brass	626
---	Aged bronze	Brass	643e/716
689	Aluminum painted	Brass	SP28
691	Bronze painted	Brass	SP10
695	Dark bronze painted	Brass	SP313
706	Brass painted	Brass	SP4

7215F Finishes

BHMA	Description	Substrate	Finish
629	Bright stainless	Stainless steel	US32
630	Satin stainless	Stainless steel	US32D
631	Matte black	Stainless steel	BLK
632	Bright brass	Stainless steel	US3
639	Satin bronze	Stainless steel	US10
---	Aged bronze	Stainless steel	643e/716
689	Aluminum painted	Stainless steel	SP28
691	Bronze painted	Stainless steel	SP10
695	Dark bronze painted	Stainless steel	SP313
706	Brass painted	Stainless steel	SP4

For other colors, consult factory.

A56
Hinges & pivots

B
Pulls & plates

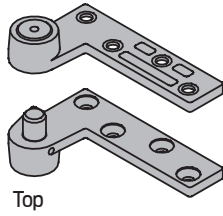
C
Flush bolts & coordinators

D
Latches, catches & bolts

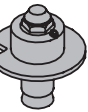
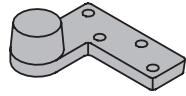
E
Stops

F
Exterior hardware

G
Miscellaneous hardware



Top



Btm

7222 3/4" Offset pivot, 200lb with top header mount and bottom base mount

- Maximum door load 200 pounds
- Recommended for use with 1-3/4" minimum door thickness, with 1/8" bevel in 2"
- Vertical adjustment range 3/16", with positive locking
- Handed LH or RH
- 7222 Set (7222 Top and 7222 Btm)
- 7222 Top (7212-7215-7222-7226-7227 Top), header mount
- 7222 Btm (7222 Btm), base plate mount

Certifications

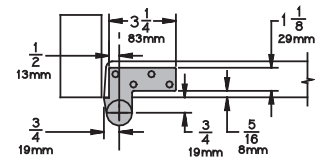
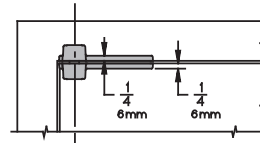
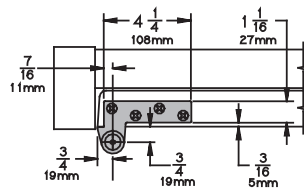
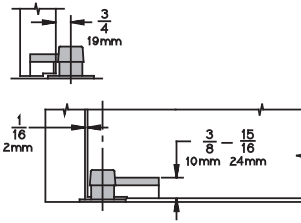
- Meets ANSI/BHMA A156.4 C07162
- UL Listed, 20 minute fire doors

Material substrate

- Made from cast brass

Available accessory items

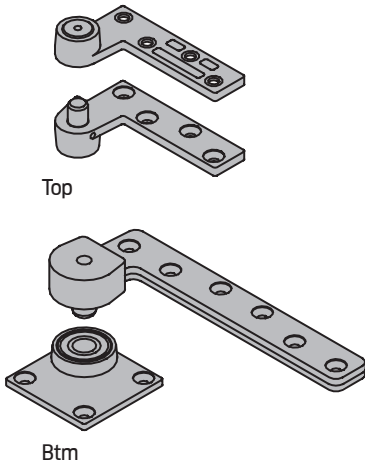
- Use 7222 INT (7212-7212V-7222) Intermediate Pivot (handed) as needed. See General Information for specifics on how many intermediate pivots are recommended.



7222 Finishes

BHMA	Description	Substrate	Finish
605	Bright brass	Brass	US3
606	Satin brass	Brass	US4
612	Satin bronze	Brass	US10
613	Oil rubbed bronze	Brass	US10B
619	Satin nickel	Brass	US15
622	Matte black	Brass	BLK
625	Bright chrome	Brass	625
626	Satin chrome	Brass	626
---	Aged bronze	Brass	643e/716
689	Aluminum painted	Brass	SP28
691	Bronze painted	Brass	SP10
695	Dark bronze painted	Brass	SP313
706	Brass painted	Brass	SP4

For other colors, consult factory.



7226 3/4" Offset pivot, 600lb with top header mount and bottom base mount
7226F 3/4" Offset pivot, 600lb with top header mount and bottom base mount, fire rated

- Maximum door load 600 pounds
- Recommended for use with 1-3/4" minimum door thickness, with 1/8" bevel in 2"
- Vertical adjustment range 3/16", with positive locking
- Non-handed
- 7226 Set (7226 Top and 7226 Btm)
- 7226 Top (7212-7215-7222-7226-7227 Top), header mount
- 7226 Btm (7226 Btm), base plate mount
- 7226F Set (7226F Top and 7226F Btm)
- 7226F Top (7215F-7226F-7227F Top), header mount
- 7226F Btm (7226F Btm), base plate mount

Certifications

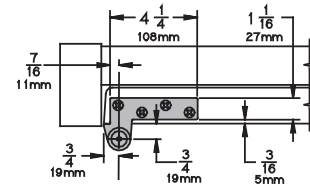
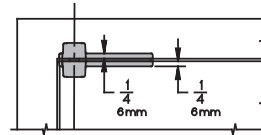
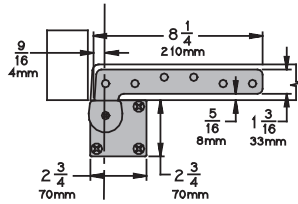
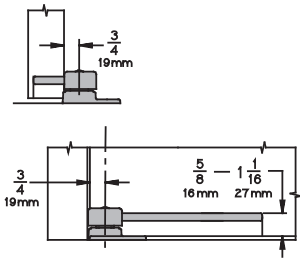
- Meets ANSI/BHMA A156.4 C07162
- 7226 - UL Listed, 20 minute fire doors
- 7226F - UL Listed, 3 hour fire doors

Material substrate

- 7226 - Made from cast brass
- 7226F - Made from 304 series stainless steel

Available accessory items

- Use 7226 INT (7215-7226-7227) Intermediate Pivot (handed) as needed. See General Information for specifics on how many intermediate pivots are recommended.
- Use 7226F INT (7215F-7226F-7227F) Intermediate Pivot (handed) as needed. See General Information for specifics on how many intermediate pivots are recommended.
- For electrical applications, use 7226PT INT (7215-7226-7227 PT INT) or 7226FPT INT (7215F-7226F-7227F PT INT) Power Transfer Intermediate pivot. For additional electrical wiring applications, consult product support.



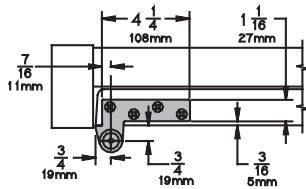
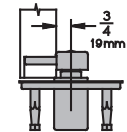
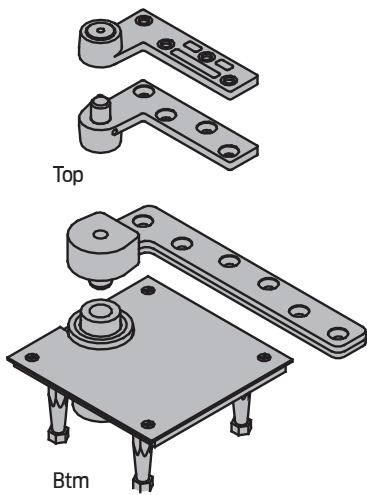
7226 Finishes

BHMA	Description	Substrate	Finish
605	Bright brass	Brass	US3
606	Satin brass	Brass	US4
612	Satin bronze	Brass	US10
613	Oil rubbed bronze	Brass	US10B
619	Satin nickel	Brass	US15
622	Matte black	Brass	BLK
625	Bright chrome	Brass	625
626	Satin chrome	Brass	626
---	Aged bronze	Brass	643e/716
689	Aluminum painted	Brass	SP28
691	Bronze painted	Brass	SP10
695	Dark bronze painted	Brass	SP313
706	Brass painted	Brass	SP4

7226F Finishes

BHMA	Description	Substrate	Finish
629	Bright stainless	Stainless steel	US32
630	Satin stainless	Stainless steel	US32D
631	Matte black	Stainless steel	BLK
632	Bright brass	Stainless steel	US3
639	Satin bronze	Stainless steel	US10
---	Aged bronze	Stainless steel	643e/716
689	Aluminum painted	Stainless steel	SP28
691	Bronze painted	Stainless steel	SP10
695	Dark bronze painted	Stainless steel	SP313
706	Brass painted	Stainless steel	SP4

For other colors, consult factory.



7227 3/4" Offset pivot, 700lb with top header mount and bottom base mount

7227F 3/4" Offset pivot, 700lb with top header mount and bottom base mount, fire rated

- Maximum door load 700 pounds
- Recommended for use with 1-3/4" minimum door thickness, with 1/8" bevel in 2"
- Vertical adjustment range 3/16", with positive locking
- Non-handed
- 7227 Set (7227 Top and 7227 Btm)
- 7227 Top (7212-7215-7222-7226-7227 Top), header mount
- 7227 Btm (7227 Btm), base plate mount
- 7227F Set (7227F Top and 7227F Btm)
- 7227F Top (7215F-7226F-7227F Top), header mount
- 7227F Btm (7227F Btm), base plate mount

Certifications

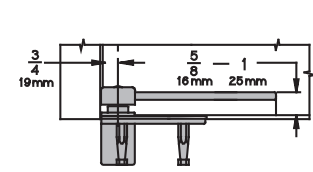
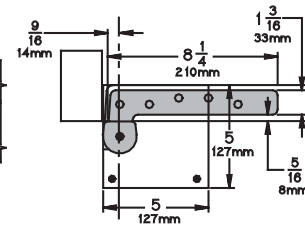
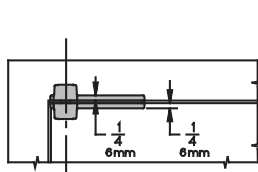
- Meets ANSI/BHMA A156.4 C07121
- 7227 - UL Listed, 20 minute fire doors
- 7227F - UL Listed, 3 hour fire doors

Material substrate

- 7227 - Made from cast brass
- 7227F - Made from 304 series stainless steel

Available accessory items

- Use 7227 INT (7215-7226-7227) Intermediate Pivot (handed) as needed. See General Information for specifics on how many intermediate pivots are recommended.
- Use 7227F INT (7215F-7226F-7227F) Intermediate Pivot (handed) as needed. See General Information for specifics on how many intermediate pivots are recommended.
- For electrical applications, use 7227PT INT (7215-7226-7227 PT INT) or 7227FPT INT (7215F-7226F-7227F PT INT) Power Transfer Intermediate pivot. For additional electrical wiring applications, consult product support.



7227 Finishes

BHMA	Description	Substrate	Finish
605	Bright brass	Brass	US3
606	Satin brass	Brass	US4
612	Satin bronze	Brass	US10
613	Oil rubbed bronze	Brass	US10B
619	Satin nickel	Brass	US15
622	Matte black	Brass	BLK
625	Bright chrome	Brass	625
626	Satin chrome	Brass	626
---	Aged bronze	Brass	643e/716
689	Aluminum painted	Brass	SP28
691	Bronze painted	Brass	SP10
695	Dark bronze painted	Brass	SP313
706	Brass painted	Brass	SP4

7227F Finishes

BHMA	Description	Substrate	Finish
629	Bright stainless	Stainless steel	US32
630	Satin stainless	Stainless steel	US32D
631	Matte black	Stainless steel	BLK
632	Bright brass	Stainless steel	US3
639	Satin bronze	Stainless steel	US10
---	Aged bronze	Stainless steel	643e/716
689	Aluminum painted	Stainless steel	SP28
691	Bronze painted	Stainless steel	SP10
695	Dark bronze painted	Stainless steel	SP313
706	Brass painted	Stainless steel	SP4

For other colors, consult factory.

7230F 3/4" Offset pivot, 1000lb with top header mount and bottom base mount, fire rated

- Maximum door load 1000 pounds
- Recommended for use with 1-3/4" minimum door thickness, with 1/8" bevel in 2"
- Vertical adjustment range 3/16", with positive locking
- Non-handed
- 7230F Set (7230F Top and 7230F Btm)
- 7230F Top (7230F-7237F Top), header mount
- 7230F Btm (7230F Btm), base plate mount

Certifications

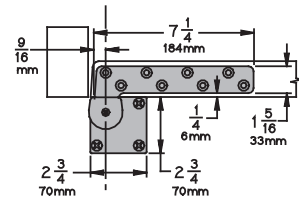
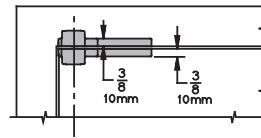
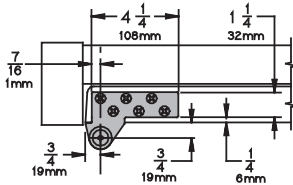
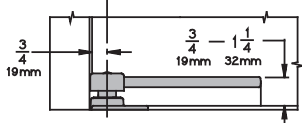
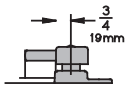
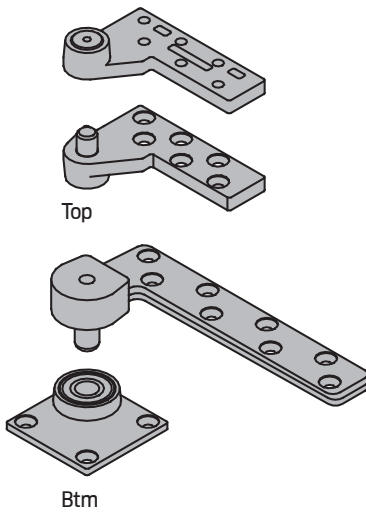
- Meets ANSI/BHMA A156.4 C07162
- UL Listed, 3 hour fire doors

Material substrate

- Made from 304 series stainless steel

Available accessory items

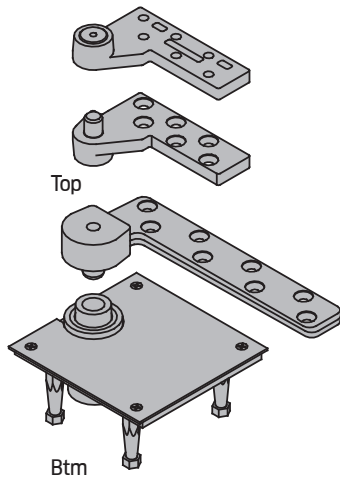
- Use 7230F INT (7230F-7237F) Intermediate Pivot (handed) as needed. See General Information for specifics on how many intermediate pivots are recommended.
- For additional electrical wiring applications, consult product support.
- For electrical applications, use 7230FPT INT (7230F-7237F PT INT) Power Transfer Intermediate pivot.



7230F Finishes

BHMA	Description	Substrate	Finish
629	Bright stainless	Stainless steel	US32
630	Satin stainless	Stainless steel	US32D
631	Matte black	Stainless steel	BLK
632	Bright brass	Stainless steel	US3
639	Satin bronze	Stainless steel	US10
---	Aged bronze	Stainless steel	643e/716
689	Aluminum painted	Stainless steel	SP28
691	Bronze painted	Stainless steel	SP10
695	Dark bronze painted	Stainless steel	SP313
706	Brass painted	Stainless steel	SP4

For other colors, consult factory.



7237F 3/4" Offset pivot, 1750lb with top header mount and bottom base mount, fire rated

- Maximum door load 1750 pounds
- Recommended for use with 1-3/4" minimum door thickness, with 1/8" bevel in 2"
- Vertical adjustment range 3/16", with positive locking
- Non-handed
- 7237F Set (7237F Top and 7237F Btm)
- 7237F Top (7230F-7237F Top), header mount
- 7237F Btm (7237F Btm), mortised cement case mount

Certifications

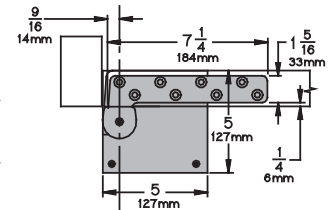
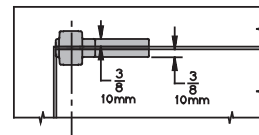
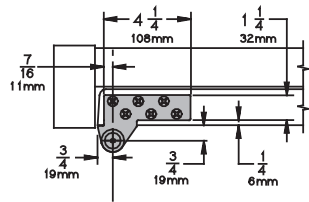
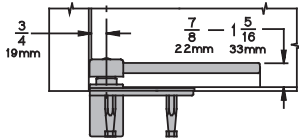
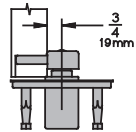
- Meets ANSI/BHMA A156.4 C07111
- UL Listed, 3 hour fire doors

Material substrate

- Made from 304 series stainless steel

Available accessory items

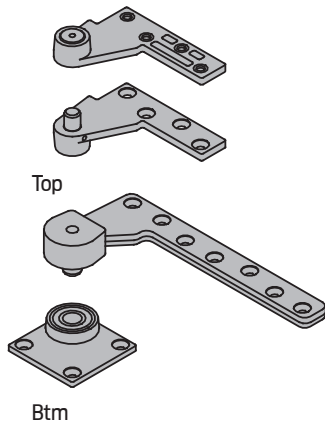
- Use 7237F INT (7230F-7237F) Intermediate Pivot (handed) as needed. See General Information for specifics on how many intermediate pivots are recommended.
- For additional electrical wiring applications, consult product support.
- For electrical applications, use 7237FPT INT (7230F-7237F PT INT) Power Transfer Intermediate pivot.



7237F Finishes

BHMA	Description	Substrate	Finish
629	Bright stainless	Stainless steel	US32
630	Satin stainless	Stainless steel	US32D
631	Matte black	Stainless steel	BLK
632	Bright brass	Stainless steel	US3
639	Satin bronze	Stainless steel	US10
---	Aged bronze	Stainless steel	643e/716
689	Aluminum painted	Stainless steel	SP28
691	Bronze painted	Stainless steel	SP10
695	Dark bronze painted	Stainless steel	SP313
706	Brass painted	Stainless steel	SP4

For other colors, consult factory.



7244F 1 1/2" Offset pivot, 400lb with top header mount and bottom base mount, fire rated

- Maximum door load 400 pounds
- Recommended for use with 1-3/4" minimum door thickness, with 1/8" bevel in 2"
- Vertical adjustment range 3/16", with positive locking
- Non-handed
- 7244F Set (7244F Top and 7244F Btm)
- 7244F Top (7244F-7245F Top), header mount
- 7244F Btm (7244F Btm), base mount

Certifications

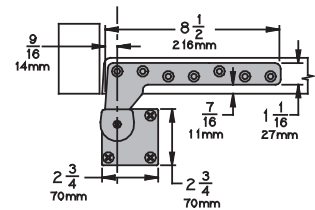
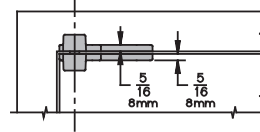
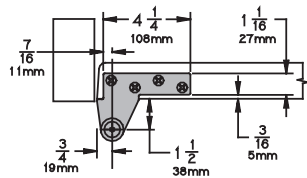
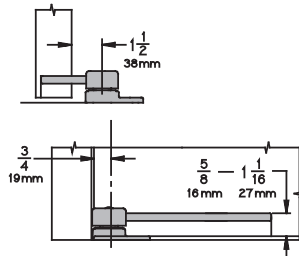
- Meets ANSI/BHMA A156.4 C07162
- UL Listed, 3 hour fire doors

Material substrate

- Made from 304 series stainless steel

Available accessory items

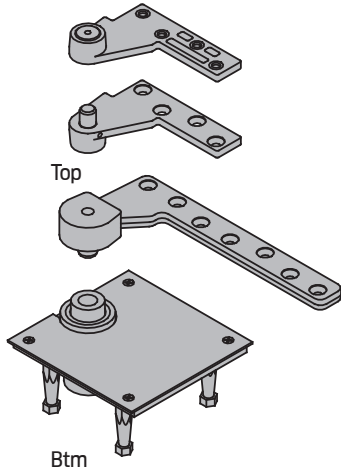
- Use 7244F INT (7244F-7245F) Intermediate Pivot (handed) as needed. See General Information for specifics on how many intermediate pivots are recommended.
- For additional electrical wiring applications, consult product support.



7244F Finishes

BHMA	Description	Substrate	Finish
629	Bright stainless	Stainless steel	US32
630	Satin stainless	Stainless steel	US32D
631	Matte black	Stainless steel	BLK
632	Bright brass	Stainless steel	US3
639	Satin bronze	Stainless steel	US10
---	Aged bronze	Stainless steel	643e/716
689	Aluminum painted	Stainless steel	SP28
691	Bronze painted	Stainless steel	SP10
695	Dark bronze painted	Stainless steel	SP313
706	Brass painted	Stainless steel	SP4

For other colors, consult factory.



7245F 1 1/2" Offset pivot, 500lb with top header mount and bottom base mount, fire rated

- Maximum door load 500 pounds
- Recommended for use with 1-3/4" minimum door thickness, with 1/8" bevel in 2"
- Vertical adjustment range 3/16", with positive locking
- Non-handed
- 7245F Set (7245F Top and 7245F Btm)
- 7245F Top (7244F-7245F Top), header mount
- 7245F Btm (7245F Btm), mortised cement case mount

Certifications

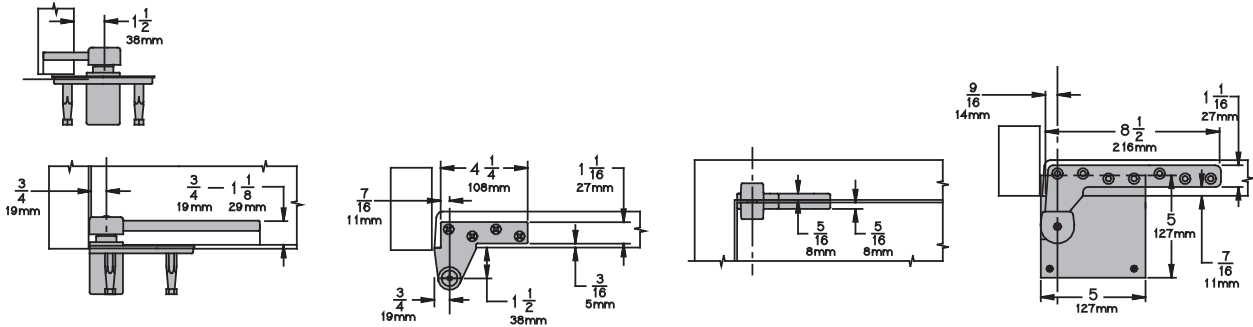
- Meets ANSI/BHMA A156.4 C07121
- UL Listed, 3 hour fire doors

Material substrate

- Made from 304 series stainless steel

Available accessory items

- Use 7245F INT (7244F-7245F) Intermediate Pivot (handed) as needed. See General Information for specifics on how many intermediate pivots are recommended.
- For additional electrical wiring applications, consult product support.

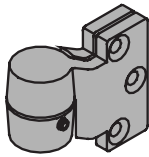


7245F Finishes

BHMA	Description	Substrate	Finish
629	Bright stainless	Stainless steel	US32
630	Satin stainless	Stainless steel	US32D
631	Matte black	Stainless steel	BLK
632	Bright brass	Stainless steel	US3
639	Satin bronze	Stainless steel	US10
---	Aged bronze	Stainless steel	643e/716
689	Aluminum painted	Stainless steel	SP28
691	Bronze painted	Stainless steel	SP10
695	Dark bronze painted	Stainless steel	SP313
706	Brass painted	Stainless steel	SP4

For other colors, consult factory.

NFPA 80, Section 3-3.8 requires intermediate pivot on some fire door applications, consult product support. Use for door heights over 7'0" and one every 2'6" as needed.



7212-7212V-7222 INT 3/4" Offset intermediate pivot

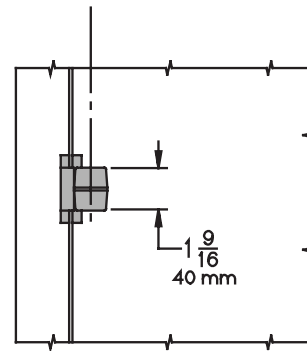
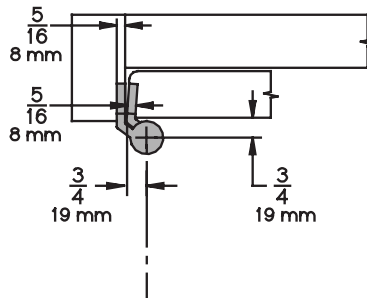
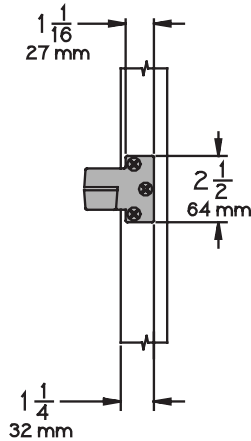
- This intermediate pivot is used with 7212, 7212V, and 7222 offset pivots
- Use for door weight over the pivot set limit. Use one additional pivot for every additional 100 pounds.
- Recommended for use with 1-3/4" minimum door thickness, with 1/8" bevel in 2"
- Handed LH or RH

Certifications

- Meets ANSI/BHMA A156.4 C07382
- UL Listed, 20 minute fire doors

Material substrate

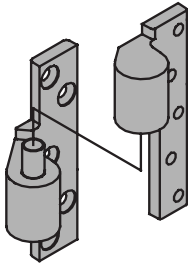
- Made from cast brass



7212-7212V-7222 INT Finishes

BHMA	Description	Substrate	Finish
605	Bright brass	Brass	US3
606	Satin brass	Brass	US4
612	Satin bronze	Brass	US10
613	Oil rubbed bronze	Brass	US10B
619	Satin nickel	Brass	US15
622	Matte black	Brass	BLK
625	Bright chrome	Brass	625
626	Satin chrome	Brass	626
---	Aged bronze	Brass	643e/716
689	Aluminum painted	Brass	SP28
691	Bronze painted	Brass	SP10
695	Dark bronze painted	Brass	SP313
706	Brass painted	Brass	SP4

For other colors, consult factory.



NFPA 80, Section 3-3.8 requires intermediate pivot on some fire door applications, consult product support. Use for door heights over 7'0" and one every 2'6" as needed.

7215-7226-7227 INT 3/4" Offset intermediate pivot

7215F-7226F-7227F INT 3/4" Offset intermediate pivot, fire rated

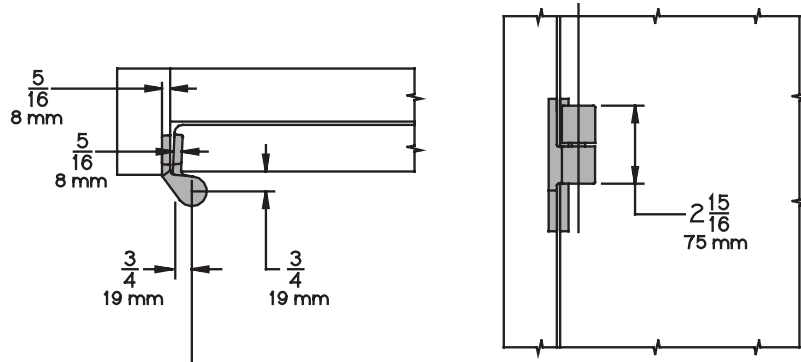
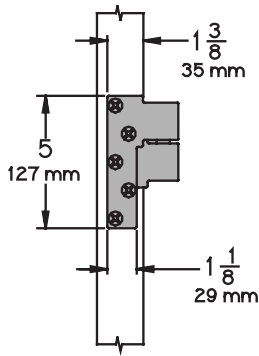
- 7215-7226-7227 intermediate pivot is used with 7215, 7226, and 7227 offset pivots.
- 7215F-7226F-7227F intermediate pivot is used with 7215F, 7226F, and 7227F offset pivots.
- Use for door weight over the pivot set limit. Use one additional pivot for every additional 100 pounds.
- Recommended for use with 1-3/4" minimum door thickness, with 1/8" bevel in 2"
- Handed LH or RH

Certifications

- 7215-7226-7227 - Meets ANSI/BHMA A156.4 C07321
- 7215-7226-7227 - UL Listed, 20 minute fire doors
- 7215F-7226F-7227F - Meets ANSI/BHMA A156.4 C07371
- 7215F-7226F-7227F - UL Listed, 3 hour fire doors

Material substrate

- 7215-7226-7227 - Made from cast brass
- 7215F-7226F-7227F - Made from 304 series stainless steel



7215-7226-7227 INT Finishes

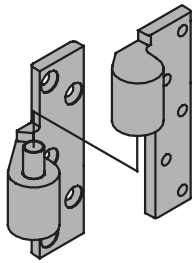
BHMA	Description	Substrate	Finish
605	Bright brass	Brass	US3
606	Satin brass	Brass	US4
612	Satin bronze	Brass	US10
613	Oil rubbed bronze	Brass	US10B
619	Satin nickel	Brass	US15
622	Matte black	Brass	BLK
625	Bright chrome	Brass	625
626	Satin chrome	Brass	626
---	Aged bronze	Brass	643e/716
689	Aluminum painted	Brass	SP28
691	Bronze painted	Brass	SP10
695	Dark bronze painted	Brass	SP313
706	Brass painted	Brass	SP4

7215F-7226F-7227F INT Finishes

BHMA	Description	Substrate	Finish
629	Bright stainless	Stainless steel	US32
630	Satin stainless	Stainless steel	US32D
631	Matte black	Stainless steel	BLK
632	Bright brass	Stainless steel	US3
639	Satin bronze	Stainless steel	US10
---	Aged bronze	Stainless steel	643e/716
689	Aluminum painted	Stainless steel	SP28
691	Bronze painted	Stainless steel	SP10
695	Dark bronze painted	Stainless steel	SP313
706	Brass painted	Stainless steel	SP4

For other colors, consult factory.

NFPA 80, Section 3-3.8 requires intermediate pivot on some fire door applications, consult product support. Use for door heights over 7'0" and one every 2'6" as needed.



7230F-7237F INT 3/4" Offset intermediate pivot, fire rated

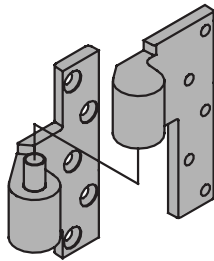
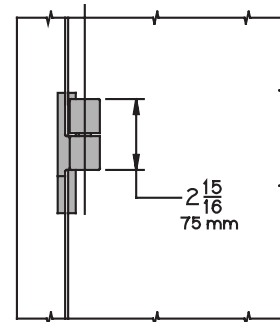
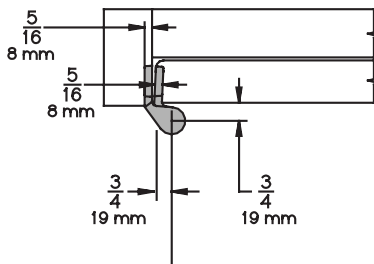
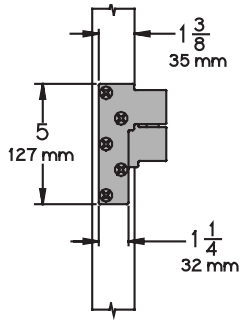
- This intermediate pivot is used with 7230F and 7237F offset pivots
- Use for door weight over the pivot set limit. Use one additional pivot for every additional 100 pounds.
- Recommended for use with 1-3/4" minimum door thickness, with 1/8" bevel in 2"
- Handed LH or RH

Certifications

- Meets ANSI/BHMA A156.4 C07311
- UL Listed, 3 hour fire doors

Material substrate

- Made from 304 series stainless steel



7244F-7245F INT 1 1/2" Offset intermediate pivot, fire rated

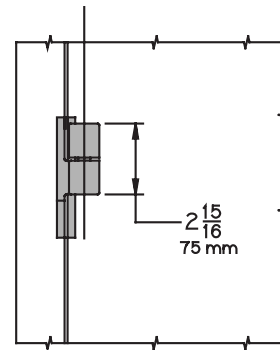
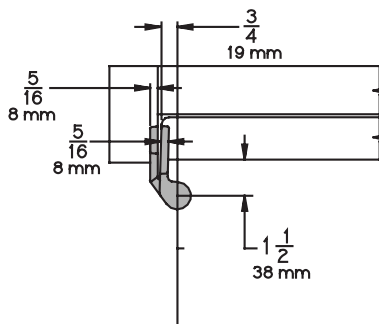
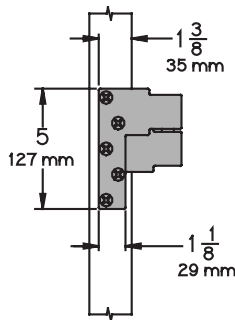
- This intermediate pivot is used with 7244F and 7245F offset pivots
- Use for door weight over the pivot set limit. Use one additional pivot for every additional 100 pounds.
- Recommended for use with 1-3/4" minimum door thickness, with 1/8" bevel in 2"
- Handed LH or RH

Certifications

- Meets ANSI/BHMA A156.4 C07371
- UL Listed, 3 hour fire doors

Material substrate

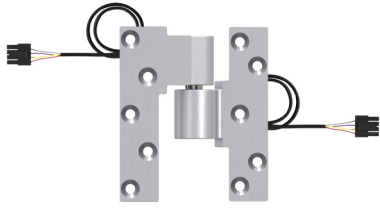
- Made from 304 series stainless steel



7230F-7237F INT and 7244F-7245F INT Finishes

BHMA	Description	Substrate	Finish
629	Bright stainless	Stainless steel	US32
630	Satin stainless	Stainless steel	US32D
631	Matte black	Stainless steel	BLK
632	Bright brass	Stainless steel	US3
639	Satin bronze	Stainless steel	US10
---	Aged bronze	Stainless steel	643e/716
689	Aluminum painted	Stainless steel	SP28
691	Bronze painted	Stainless steel	SP10
695	Dark bronze painted	Stainless steel	SP313
706	Brass painted	Stainless steel	SP4

For other colors, consult factory.



7215PT-7226PT-7227PT INT 3/4" Offset power transfer intermediate pivot

7215FPT-7226FPT-7227FPT INT 3/4" Offset power transfer intermediate pivot, fire-rated

- 7215PT-7226PT-7227PT intermediate pivot is used with 7215, 7226, and 7227 offset pivots
- 7215FPT-7226FPT-7227FPT intermediate pivot is used with 7215F, 7226F, 7227F offset pivots
- Non-load bearing
- Available in 28 gauge TW4 or TW8. For additional electrical wiring applications, consult product support.
- Rated 50 VDC or VAC @ 3.5 amps. Continuous or 16 amp pulse, maximum pulse 400 milliseconds
- Recommended for use with 1-3/4" minimum door thickness, with 1/8" bevel in 2"
- Handed LH or RH

Certifications

- 7215PT-7226PT-7227PT - UL Listed, 20 minute fire doors
- 7215FPT-7226FPT-7227FPT - UL Listed, 3-hour fire doors
- Meets UL 634

Material substrate

- 7215PT-7226PT-7227PT - Offered in brass substrate
- 7215FPT-7226FPT-7227FPT - Offered in stainless steel

7215PT-7226PT-7227PT INT Finishes

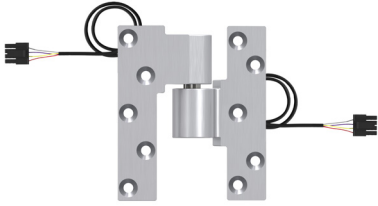
BHMA	Description	Substrate	Finish
605	Bright brass	Brass	US3
606	Satin brass	Brass	US4
612	Satin bronze	Brass	US10
613	Oil rubbed bronze	Brass	US10B
619	Satin nickel	Brass	US15
622	Matte black	Brass	BLK
625	Bright chrome	Brass	625
626	Satin chrome	Brass	626
---	Aged bronze	Brass	643e/716
689	Aluminum painted	Brass	SP28
691	Bronze painted	Brass	SP10
695	Dark bronze painted	Brass	SP313
706	Brass painted	Brass	SP4

For other colors, consult factory.

7215FPT-7226FPT-7227FPT INT Finishes

BHMA	Description	Substrate	Finish
629	Polished stainless steel	Steel	US32
630	Satin stainless steel	Steel	US32D
631	Matte black	Steel	F-BLK
632	Bright brass	Steel	US3
639	Satin bronze plated	Steel	US10
---	Aged bronze	Steel	643e/716
689	Aluminum painted	Steel	SP28
691	Bronze painted	Steel	SP10
695	Dark bronze painted	Steel	SP313
706	Brass painted	Steel	SP4

For other colors, consult factory.



7230FPT - 7237FPT INT 3/4" Offset power transfer intermediate pivot, fire rated

- 7230FPT-7237FPT INT 3/4" fire rated intermediate pivot is used with 7230F, 7237F offset pivots.
- Non-load bearing
- Available in with 28 gauge TW4 or TW8. For additional electrical wiring applications, consult product support.
- Rated 50 VDC or VAC @ 3.5 amps. Continuous or 16 amp pulse, maximum pulse 400 milliseconds
- Recommended for use with 1-3/4" minimum door thickness, with 1/8" bevel in 2"
- Handed LH or RH

Certifications

- UL Listed, 3-hour fire doors
- Meets UL 634

Material substrate

- Offered in stainless steel substrate

7230FPT - 7237FPT INT Finishes

BHMA	Description	Substrate	Finish
629	Polished stainless steel	Steel	US32
630	Satin stainless steel	Steel	US32D
631	Matte black	Steel	F-BLK
632	Bright brass	Steel	US3
639	Satin bronze plated	Steel	US10
---	Aged bronze	Steel	643e
689	Aluminum painted	Steel	SP28
691	Bronze painted	Steel	SP10
695	Dark bronze painted	Steel	SP313
706	Brass painted	Steel	SP4

For other colors, consult factory.

Hinges & pivots
A67

Pulls & plates
B

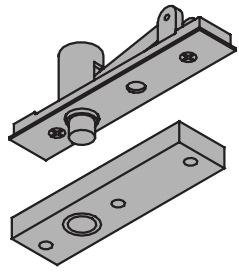
Flush bolts & coordinators
C

Latches, catches & bolts
D

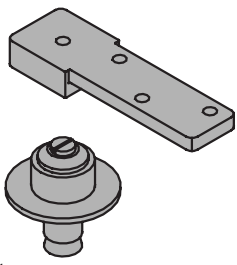
Stops
E

Exterior hardware
F

Miscellaneous hardware
G



Top



Btm

7253 Center hung pivot, 300lb with bottom base mount

- Maximum door load 300 pounds
- Recommended for use with 1-3/4" minimum door thickness
- Not recommended for doors larger than 4'0" X 8'0"
- Easy installation, tilt on bearing and bearing pin
- Adjustable floor to door clearance 3/16" to 3/4", consult product support if greater than 3/4"
- Vertical adjustment range 3/16", with positive locking
- Non-handed
- 7253 Set (7253 Top and 7253 Btm)
- 7253 Top (7253-7255-7255J-7256 Top), header mount
- 7253 Btm (7253 Btm), base plate mount

Certifications

- Meets ANSI/BHMA A156.4 C07032

Material substrate

- Made from cast brass

Dimensions

- Radius Stop (A) to clear heel of door edge.
- Pivot distance (B) 1-3/4" (44mm) minimum from jamb to centerline of pivot pin. Radius heel edge of door, 1-5/8" (41mm) minimum recommended.
- Clearance from bottom edge of door to floor mounting surface is adjustable from 3/16" (5mm) to 3/4" (19mm) by varying the depth of the mortise (C) in the bottom of the door, refer to Chart D. Consult product support when clearance is over 3/4" (19mm).

7253 Finishes

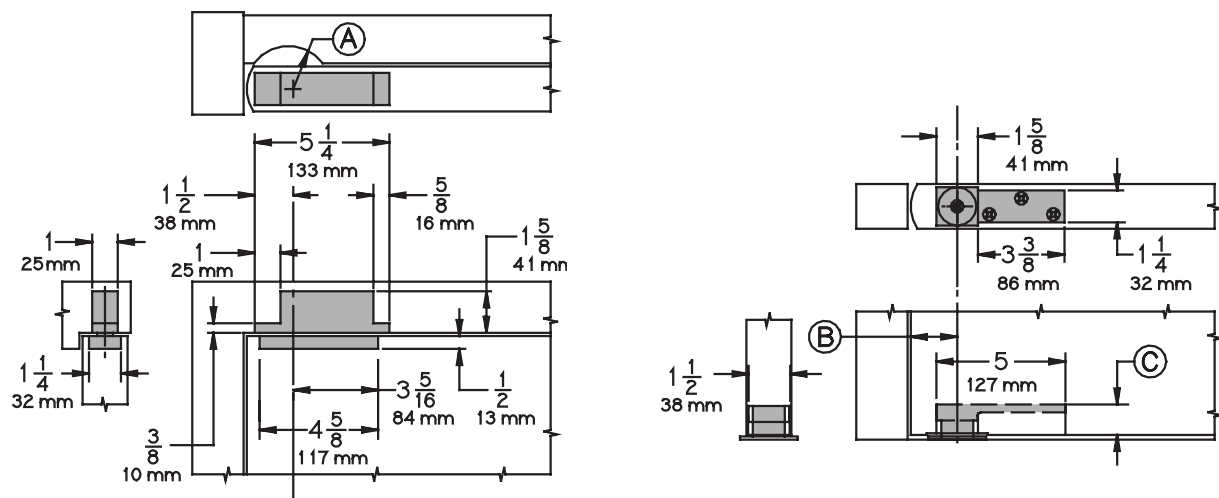
BHMA	Description	Substrate	Finish
605	Bright brass	Brass	US3
606	Satin brass	Brass	US4
612	Satin bronze	Brass	US10
613	Oil rubbed bronze	Brass	US10B
619	Satin nickel	Brass	US15
622	Matte black	Brass	BLK
625	Bright chrome	Brass	625
626	Satin chrome	Brass	626
---	Aged bronze	Brass	643e/716
689	Aluminum painted	Brass	SP28
691	Bronze painted	Brass	SP10
695	Dark bronze painted	Brass	SP313
706	Brass painted	Brass	SP4

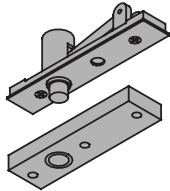
For other colors, consult factory.

Table D

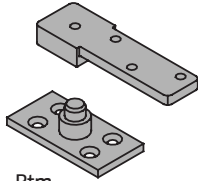
Clearance Depth of Mortise

3/16" (5mm)	1-3/16" (30mm)
3/8" (10mm)	1" (25mm)
1/2" (13mm)	7/8" (22mm)
5/8" (16mm)	3/4" (19mm)
3/4" (19mm)	5/8" (16mm)





Top



Btm

7255 Center hung pivot, 500lb with bottom base mount

- Maximum door load 500 pounds
- Recommended for use with 1-3/4" minimum door thickness
- Not recommended for doors larger than 4'0" X 8'0"
- Easy installation, tilt on bearing and bearing pin
- Adjustable floor to door clearance 3/16" to 3/4", consult product support if greater than 3/4"
- Vertical adjustment range 3/16", with positive locking
- Non-handed
- 7255 Set (7255 Top and 7255 Btm)
- 7255 Top (7253-7255-7255J-7256 Top), header mount
- 7255 Btm (7255 Btm), base plate mount

Certifications

- Meets ANSI/BHMA A156.4 C07032

Material substrate

- Made from cast brass

Dimensions

- Radius Stop (A) to clear heel of door edge.
- Pivot distance (B) 1-3/4" (44mm) minimum from jamb to centerline of pivot pin. Radius heel edge of door, 1-5/8" (41mm) minimum recommended.
- Clearance from bottom edge of door to floor mounting surface is adjustable from 3/16" (5mm) to 3/4" (19mm) by varying the depth of the mortise (C) in the bottom of the door, refer to Chart D. Consult product support when clearance is over 3/4" (19mm).

7255 Finishes

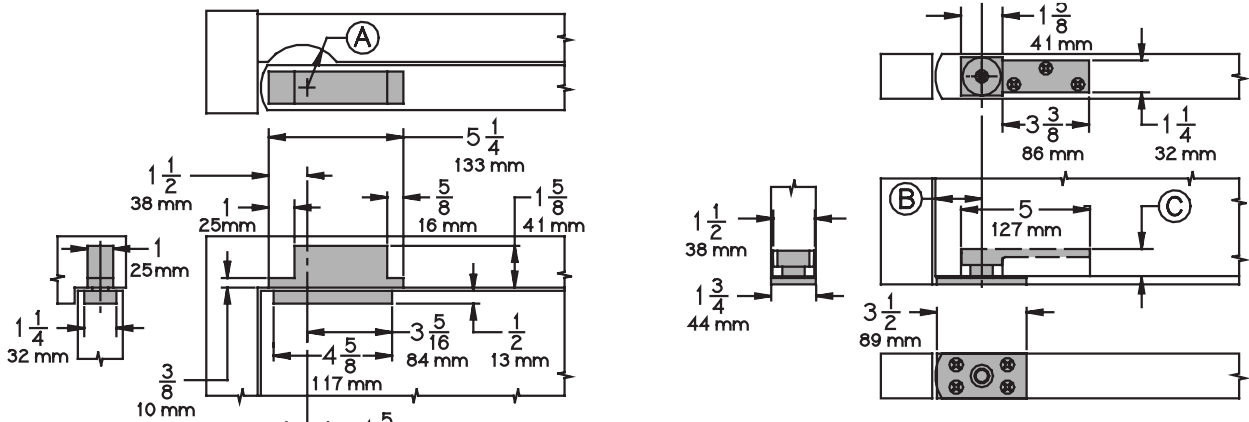
BHMA	Description	Substrate	Finish
605	Bright brass	Brass	US3
606	Satin brass	Brass	US4
612	Satin bronze	Brass	US10
613	Oil rubbed bronze	Brass	US10B
619	Satin nickel	Brass	US15
622	Matte black	Brass	BLK
625	Bright chrome	Brass	625
626	Satin chrome	Brass	626
---	Aged bronze	Brass	643e/716
689	Aluminum painted	Brass	SP28
691	Bronze painted	Brass	SP10
695	Dark bronze painted	Brass	SP313
706	Brass painted	Brass	SP4

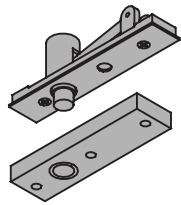
For other colors, consult factory.

Table D

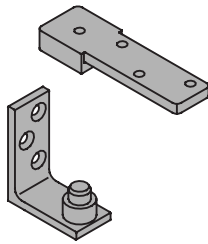
Clearance Depth of Mortise

3/16" (5mm)	1-3/16" (30mm)
3/8" (10mm)	1" (25mm)
1/2" (13mm)	7/8" (22mm)
5/8" (16mm)	3/4" (19mm)
3/4" (19mm)	5/8" (16mm)





Top



Btm

7255J Center hung pivot, 500lb with bottom jamb mount

- Maximum door load 500 pounds
- Recommended for use with 1-3/4" minimum door thickness
- Not recommended for doors larger than 4'0" X 8'0"
- Easy installation, tilt on bearing and bearing pin
- Adjustable floor to door clearance 3/16" to 3/4", consult product support if greater than 3/4"
- Vertical adjustment range 3/16", with positive locking
- Non-handed
- 7255J Set (7255J Top and 7255J Btm)
- 7255J Top (7253-7255-7255J-7256 Top), header mount
- 7255J Btm (7255J Btm), jamb mount

Certifications

- Meets ANSI/BHMA A156.4 C07042

Material substrate

- Made from cast brass

Dimensions

- Radius Stop (A) to clear heel of door edge.
- Pivot distance (B) 1-3/4" (44mm) minimum from jamb to centerline of pivot pin. Radius heel edge of door, 1-5/8" (41mm) minimum recommended.
- Clearance from bottom edge of door to floor mounting surface is adjustable from 3/16" (5mm) to 3/4" (19mm) by varying the depth of the mortise (C) in the bottom of the door, refer to Chart D. Consult product support when clearance is over 3/4" (19mm).

Table D

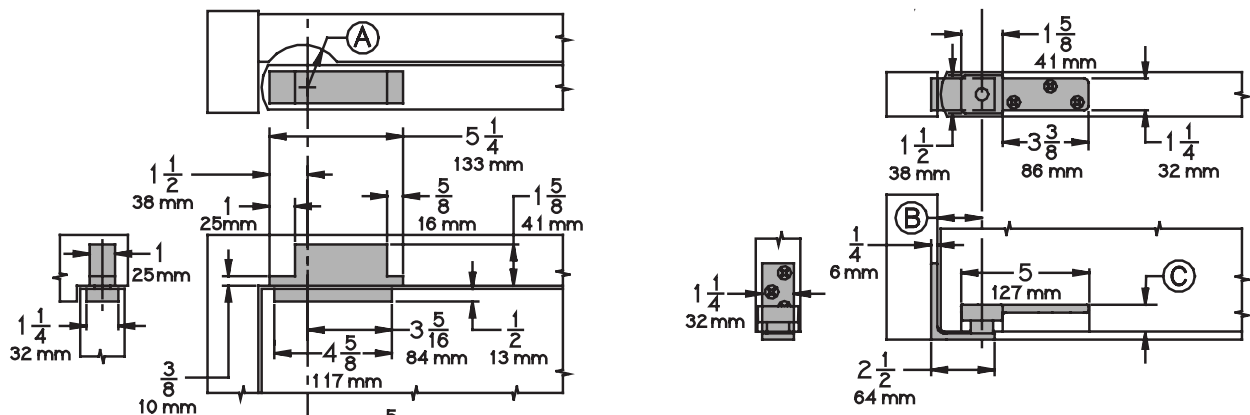
Clearance Depth of Mortise

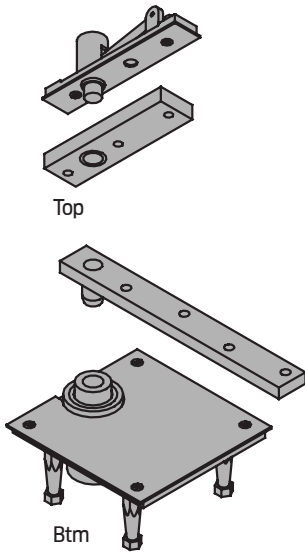
3/16" (5mm)	1-3/16" (30mm)
3/8" (10mm)	1" (25mm)
1/2" (13mm)	7/8" (22mm)
5/8" (16mm)	3/4" (19mm)
3/4" (19mm)	5/8" (16mm)

7255 Finishes

BHMA	Description	Substrate	Finish
605	Bright brass	Brass	US3
606	Satin brass	Brass	US4
612	Satin bronze	Brass	US10
613	Oil rubbed bronze	Brass	US10B
619	Satin nickel	Brass	US15
622	Matte black	Brass	BLK
625	Bright chrome	Brass	625
626	Satin chrome	Brass	626
---	Aged bronze	Brass	643e/716
689	Aluminum painted	Brass	SP28
691	Bronze painted	Brass	SP10
695	Dark bronze painted	Brass	SP313
706	Brass painted	Brass	SP4

For other colors, consult factory.





7256 Center hung pivot, 600lb with bottom base mount

- Maximum door load 600 pounds
- Recommended for use with 1-3/4" minimum door thickness
- Not recommended for doors larger than 4'0" X 8'0"
- Easy installation, tilt on bearing and bearing pin
- Adjustable floor to door clearance 3/16" to 3/4", consult product support if greater than 3/4"
- Vertical adjustment range 3/16", with positive locking
- Non-handed
- 7256 Set (7256 Top and 7256 Btm)
- 7256 Top (7253-7255-7255J-7256 Top), header mount
- 7256 Btm (7256 Btm), base plate mount

Certifications

- Meets ANSI/BHMA A156.4 C07021

Material substrate

- Made from cast brass

Dimensions

- Radius Stop (A) to clear heel of door edge.
- Pivot distance (B) 1-3/4" (44mm) minimum from jamb to centerline of pivot pin. Radius heel edge of door, 1-5/8" (41mm) minimum recommended.
- Clearance from bottom edge of door to floor mounting surface is adjustable from 3/16" (5mm) to 3/4" (19mm) by varying the depth of the mortise (C) in the bottom of the door, refer to Chart D. Consult product support when clearance is over 3/4" (19mm).

Table D

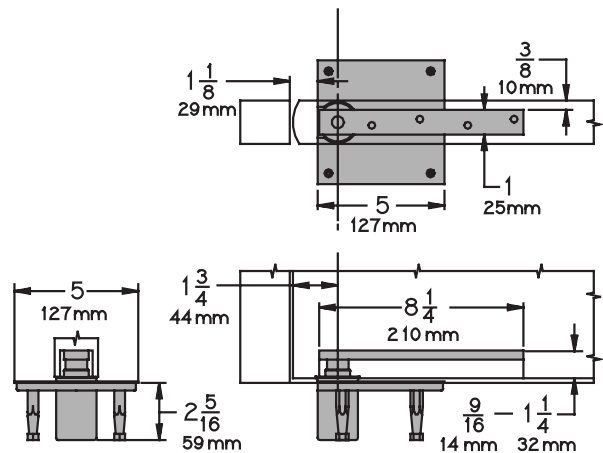
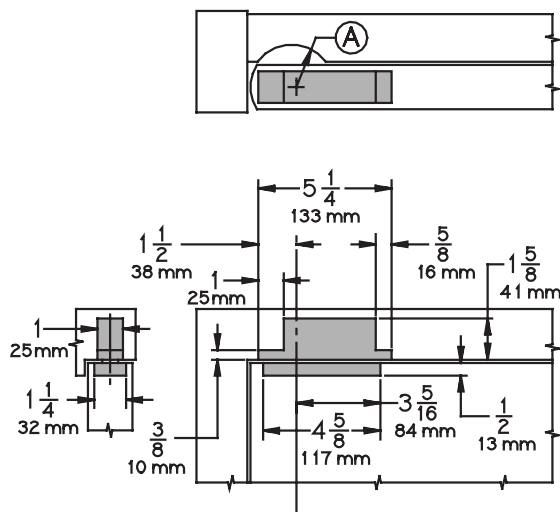
Clearance Depth of Mortise

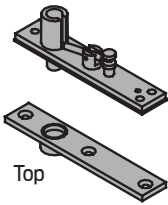
3/16" (5mm)	1-3/16" (30mm)
3/8" (10mm)	1" (25mm)
1/2" (13mm)	7/8" (22mm)
5/8" (16mm)	3/4" (19mm)
3/4" (19mm)	5/8" (16mm)

7256 Finishes

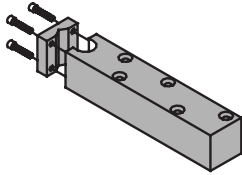
BHMA	Description	Substrate	Finish
605	Bright brass	Brass	US3
606	Satin brass	Brass	US4
612	Satin bronze	Brass	US10
613	Oil rubbed bronze	Brass	US10B
619	Satin nickel	Brass	US15
622	Matte black	Brass	BLK
625	Bright chrome	Brass	625
626	Satin chrome	Brass	626
---	Aged bronze	Brass	643e/716
689	Aluminum painted	Brass	SP28
691	Bronze painted	Brass	SP10
695	Dark bronze painted	Brass	SP313
706	Brass painted	Brass	SP4

For other colors, consult factory.

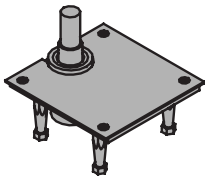




Top



Btm



7259 Center hung pivot, 1000lb with bottom base mount

- Maximum door load 1000 pounds
- Recommended for use with 2" to 3" minimum door thickness, consult product support if doors are thicker than 3"
- Not recommended for doors larger than 4'0" X 8'0"
- Easy installation, tilt on bearing and bearing pin
- Adjustable floor to door clearance 3/16" to 3/4", consult product support if greater than 3/4"
- Vertical adjustment range 3/16", with positive locking
- Non-handed
- 7259 Set (7259 Top and 7259 Btm)
- 7259 Top (7259 Top) header mount
- 7259 Btm (7259 Btm), base frame mount

Certifications

- Meets ANSI/BHMA A156.4 C07011

Material substrate

- Made from cast brass

Dimensions

- Radius Stop (A) to clear heel of door edge.
- Pivot distance (B) 1-3/4" (44mm) minimum from jamb to centerline of pivot pin. Radius heel edge of door, 1-5/8" (41mm) minimum recommended.
- Clearance from bottom edge of door to floor mounting surface is adjustable from 3/16" (5mm) to 3/4" (19mm) by varying the depth of the mortise (C) in the bottom of the door, refer to Chart D. Consult product support when clearance is over 3/4" (19mm).

7259 Finishes

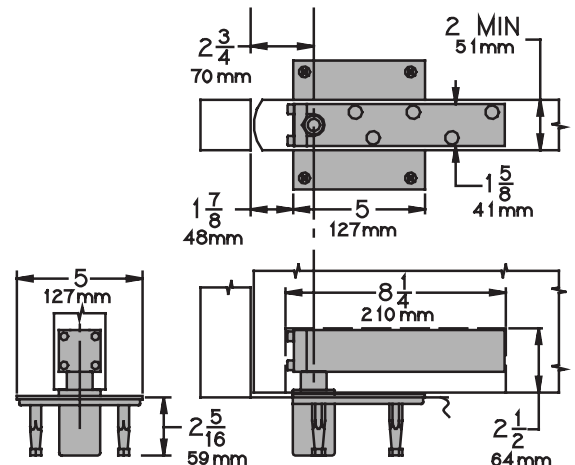
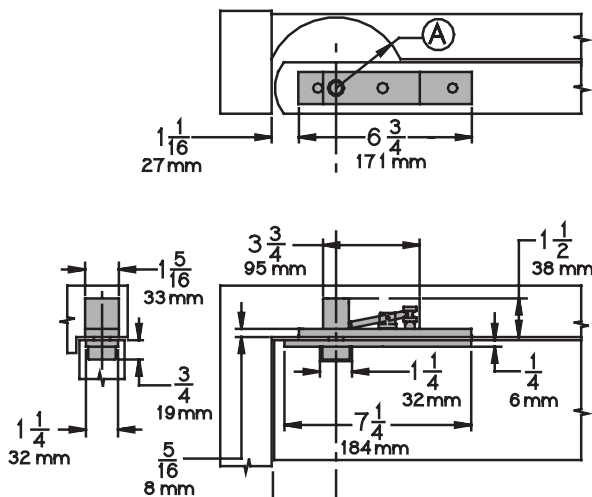
BHMA	Description	Substrate	Finish
605	Bright brass	Brass	US3
606	Satin brass	Brass	US4
612	Satin bronze	Brass	US10
613	Oil rubbed bronze	Brass	US10B
619	Satin nickel	Brass	US15
622	Matte black	Brass	BLK
625	Bright chrome	Brass	625
626	Satin chrome	Brass	626
---	Aged bronze	Brass	643e/716
689	Aluminum painted	Brass	SP28
691	Bronze painted	Brass	SP10
695	Dark bronze painted	Brass	SP313
706	Brass painted	Brass	SP4

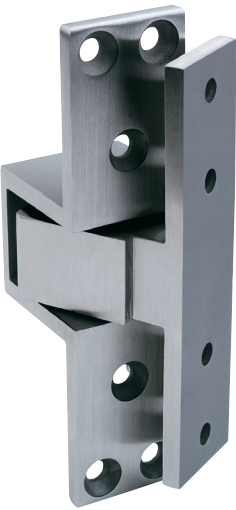
For other colors, consult factory.

Table D

Clearance Depth of Mortise

3/16" (5mm)	1-3/16" (30mm)
3/8" (10mm)	1" (25mm)
1/2" (13mm)	7/8" (22mm)
5/8" (16mm)	3/4" (19mm)
3/4" (19mm)	5/8" (16mm)





91105F Pocket pivot/hinge, fire rated

- Maximum door load of 90 pounds per pivot
- Use three pivots for doors 7'0" tall and one every 2'6" for taller doors as needed
- Full mortise
- Recommended for use with 1-3/4" door thickness only
- Not recommended for doors larger than 4'0" X 8'0"
- Not recommended for wood frames (must be used with steel frames for fire rating)
- Allows door to open a full 90°
- Non-handed

Certifications

- Meets ANSI/BHMA A156.4 C07611
- UL Listed, 3 hour fire doors

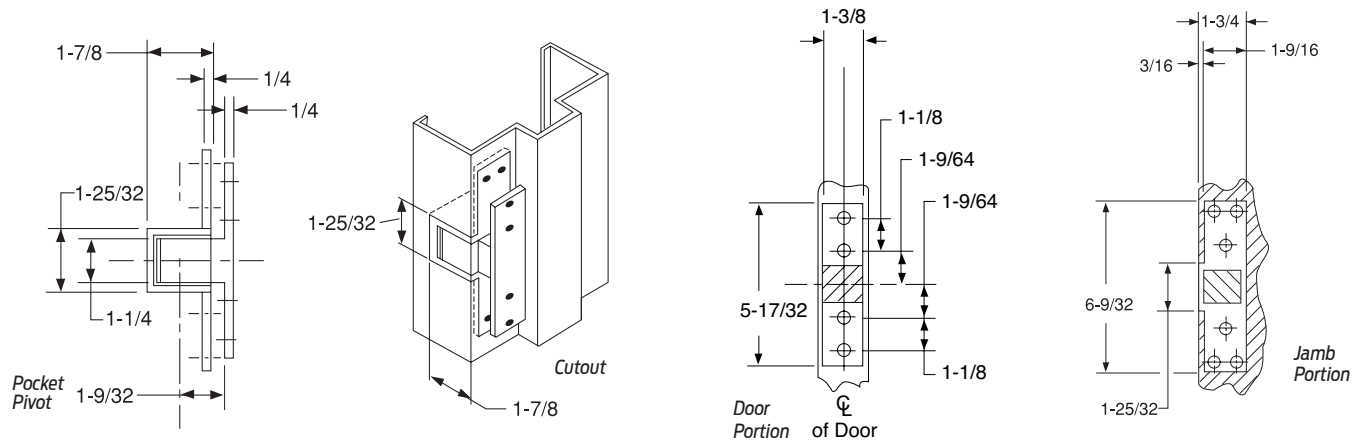
Material substrate

- Made from 304 series stainless steel

91105F Finishes

BHMA	Description	Substrate	Finish
600	Primer painted	Stainless steel	USP
629	Bright stainless	Stainless steel	US32
630	Satin stainless	Stainless steel	US32D
632	Bright brass	Stainless steel	US3
639	Satin bronze	Stainless steel	US10
640	Satin bronze	Stainless steel	US10
646	Satin nickel	Stainless steel	US15
---	Aged bronze	Stainless steel	643e/716
695	Dark bronze painted	Stainless steel	SP313

For other colors, consult factory.



A73
 Hinges & pivots
B
 Pulls & plates
C
 Flush bolts & coordinators
D
 Latches, catches & bolts
E
 Stops
F
 Exterior hardware
G
 Miscellaneous hardware



E91105F Pocket pivot/hinge, power transfer, fire rated

- Non-load bearing
- Available in 28 gauge TW4 or TW8. For additional electrical wiring applications, consult product support.
- Rated 50 VDC or VAC @ 3.5 amps continuous or 16 amp pulse, maximum pulse 400 milliseconds
- Full mortise
- Recommended for use with 1-3/4" door thickness only
- Not recommended for doors larger than 4'0" X 8'0"
- Not recommended for wood frames
- Allows door to open a full 90°
- Non-handed
- Standard for Allegion Connect

Certifications

- Meets ANSI/BHMA A156.4 C07611
- UL Listed, 3 hour fire doors

Material substrate

- Made from 304 series stainless steel

E91105F Finishes

BHMA	Description	Substrate	Finish
600	Primer painted	Stainless steel	USP
629	Bright stainless	Stainless steel	US32
630	Satin stainless	Stainless steel	US32D
632	Bright brass	Stainless steel	US3
639	Satin bronze	Stainless steel	US10
---	Aged bronze	Stainless steel	643e/716
695	Dark bronze painted	Stainless steel	SP313

For other colors, consult factory.

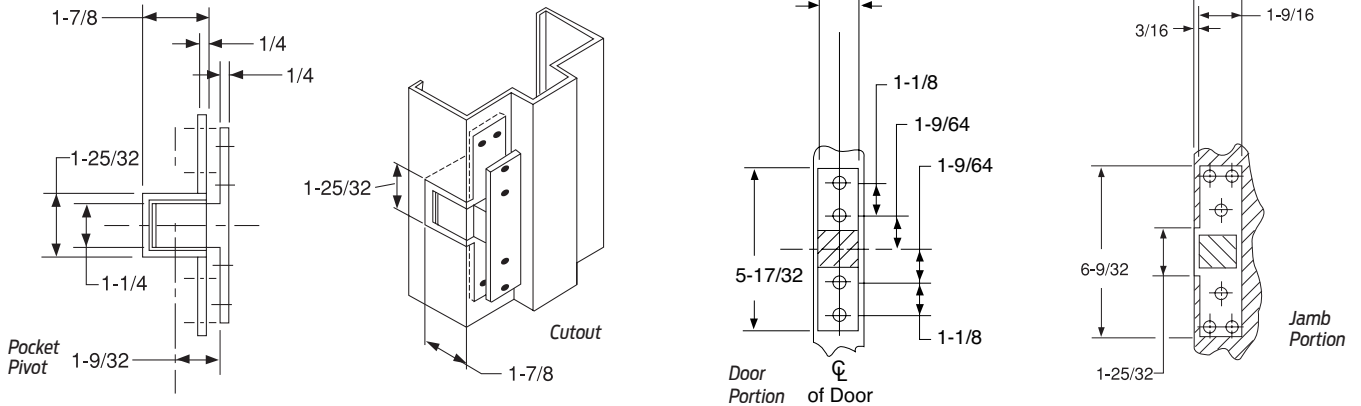


Table of contents

Architectural pulls and pushbars - heavy duty, solid construction

General information..... B2

Pull mounting hardware

Through bolt mounts..... B5
 Concealed mounts..... B6
 Back to back mounts..... B7
 Push/Pull combo mounts..... B8

Architectural and decorative pulls

How to order..... B9

Architectural pulls and push bars

8102HD Solid door pull - 3/4" round..... B11
 8103HD Solid door pull - 1" round..... B12
 8103EZHD Solid door pull - 1" round
 Large 2-1/2" clearance for the accessibility applications..... B13
 8105 Solid door pull - 1" flattened..... B14
 8145EZHD 45° Offset solid door pull..... B15
 8190HD 90° Offset solid door pull..... B16
 8190EZHD 90° Offset solid door pull..... B17
 9100HD Solid push bar..... B18
 9103EZHD Solid straight pull/push bar combo
 (8103EZHD Pull + 9100HD Push)..... B19
 9145EZHD 45° Offset pull/push bar combo
 (8145HD pull + 9100HD push)..... B20
 9190HD Solid 90° Offset pull/push bar combo
 (8190HD pull + 9100HD push)..... B21
 9190EZHD Solid 90° Offset pull/push bar combo
 (8190EZHD pull + 9100HD push)..... B22

Decorative pulls

8111-5 Solid door pull..... B23
 8112-5 Solid door pull..... B23
 8121 Solid door pull..... B24
 8169 C Style (tubular series) offset solid door pull..... B25
 8181 Georgian 90° offset solid door pull..... B26
 8189 Athens offset tubular door pull..... B27
 8281 Georgian straight solid door pull..... B28
 8312 Plymouth offset solid door pull..... B29
 8320 Plymouth offset solid door pull..... B30
 8371 Addison flat tip straight solid door pull..... B31
 8372 Camelot steeple tip straight tubular door pull..... B32
 8373 Brookshire acorn tip straight tubular door pull..... B33
 8700 Greenwich arc straight solid door pull..... B34
 8800 Greenwich arc offset solid door pull..... B35
 8848 Latitude straight solid door pull..... B36
 8975 Rhodes straight solid door pull..... B37

Long door pulls

9264 Offset long door pull, rounded tip..... B39
 9266 Straight long door pull, rounded tip..... B39

Hands-free door pulls

FP101 Hands-Free Foot Pull..... B40
 API01 Hands-Free Arm Pull..... B40
 OTP300 Plastic Opening Hand Tool..... B40
 OT300 Steel Opening Hand Tool..... B40

Push and pull plates

8200 Push plate..... B42
 8300 Pull plate, prep for pull (less pull)..... B42
 8302 Pull plate..... B43
 8303 Pull plate..... B44
 8305 Pull plate..... B45
 8311 Pull plate..... B46

Protection plates

8400 Commercial protection plates..... B48
 8402 UL Commercial protection plates..... B48

Edge guards

General information..... B49
 Mortise type, Non-mortise type..... B51
 Overlapping type, Semi-overlap type..... B52
 Standard cutouts..... B53

Vandal resistant trim

VR810-DT with black grip..... B54
 VR814-DT without black grip..... B54
 VR810-NL LHR with black grip..... B55
 VR810-NL RHR with black grip..... B55
 VR814-NL LHR without black grip..... B55
 VR814-NL RHR without black grip..... B55
 VR810-NL-V with black grip..... B56
 VR814-NL-V without black grip..... B56
 VR900 RHR with black grip..... B57
 VR900 LHR with black grip..... B57
 VR904 RHR without black grip..... B57
 VR904 LHR without black grip..... B57
 VR900LLP RH with black grip..... B58
 VR900LLP LH with black grip..... B58
 VR904LLP RH without black grip..... B58
 VR904LLP LH without black grip..... B58
 VR910-DT with black grip..... B59
 VR914-DT without black grip..... B59
 VR910-NL with black grip..... B60
 VR914-NL without black grip..... B60
 VR910M-DT with black grip..... B61
 VR914M-DT without black grip..... B61
 VR910M-NL RHR with black grip..... B62
 VR910M-NL LHR with black grip..... B62
 VR914M-NL RHR without black grip..... B62
 VR914M-NL LHR without black grip..... B62

Flush pulls

22 Flush pull - rectangle..... B63
 218 Flush pull - small circle..... B63
 221 Flush pull - large circle..... B64
 222 Flush pull - rectangle..... B64
 223 Flush pull - oval..... B65
 227 Flush pull - deep well..... B65

Decorative flush pulls

919 Decorative flush pull - oval..... B66
 950 Decorative flush pull - rectangle..... B66
 955 Decorative flush pull - square, deep well..... B67
 960 Decorative flush pull - rectangle, narrow..... B67
 962 Decorative flush pull - rectangle..... B68

Sliding door pulls

230 Sliding door edge pull..... B69
 42 Pocket sliding door bolt..... B69
 990 Sliding door pull..... B70
 991 Sliding door pull - privacy..... B71

Screen door pull

25 Screen door pull..... B71

Hinges & pivots

A

Pulls & plates

B1

Flush bolts & coordinators

C

Latches, catches & bolts

D

Stops

E

Exterior hardware

F

Miscellaneous hardware

G

General information

ANSI Certified

All Ives architectural pulls, push bars, decorative pulls, and long door pulls meet ANSI 156.06

ADA Compliant pulls (EZ)

All Ives ADA compliant pulls (reference local authority having jurisdiction) come with the EZ designation. These pulls all have a door to pull clearance of 2.1/2" or greater. All stainless steel EZ pulls come standard with 316 Series Stainless which make them highly recommended for all external applications.

Material

All architectural pulls, push bars and decorative pulls are made of heavy duty, solid bar stock or castings. All long door pulls are made from tubular stock. Available material substrates are below. See pull model detailed pages for material availability.

Stainless Steel	304 Series
Stainless Steel	316 Series (Standard for all EZ pulls, EZ push/pull combo, and long door pulls. Available on 9100 series push bars as well.)
Brass	
Aluminum	6061-T6 Alloy

Care and maintenance for stainless steel finishes

Stainless steel requires periodic cleaning just as other materials do when in service. Stainless architectural building components, for instance, are subject to road salt spray at ground level and deposits from polluted urban air at higher levels. Finger marks, deposits from tobacco smoke, stains from hard water or food left on to dry all detract from the original attractive appearance of stainless steel applications.

Cleaning methods and the frequency with which they are employed vary considerably according to application. One of the outstanding features of stainless steel is the ease with which its fine appearance can be maintained. In many instances, only periodic warm water wash is sufficient to restore the original shine. In other cases, cleansing with a strong sterilizing solution may be required more frequently. Between these extremes are a broad range of cleaning requirements and methods. In all cases, there are some important "do's and don't's" that should be followed.

Do

- Wash regularly with warm water and mild soap detergent using a clean cloth or soft brush.
- Remove stubborn grime using recommended cleaners and methods.
- Always clean in the direction of the original polish lines.
- Always rinse after cleaning and wipe dry.

Don't

- Don't use ordinary steel wool or other metal scrapers to remove stubborn dirt.
- Don't allow dirt to accumulate.
- Don't allow protective coatings to remain on new building components. Remove all traces of adhesive as well as plaster, terrazzo, paint and other construction "splashes".
- Don't use harsh, untested cleaners.

Heavy duty

All Ives architectural pulls, push bars and long door pulls come standard with heavy duty (HD) machining and mounting hardware to withstand high traffic and abuse applications which exceed industry standards. Many decorative pulls also come standard with heavy duty machining and hardware. Please see the list of pulls that come standard with heavy duty mounting hardware.

General information - continued

Architectual		Decorative		Long door pull	
Model	Heavy duty machining	Model	Heavy duty machining	Model	Heavy duty machining
8102HD	5/16-18	8169	3/8-16	9264	3/8-16
8103HD	3/8-16	8181	3/8-16	9266	3/8-16
8103EZHD	3/8-16	8281	3/8-16		
8145EZHD	3/8-16	8189	3/8-16		
8190HD	3/8-16	8312	3/8-16		
8190EZHD	3/8-16	8320	3/8-16		
9100HD	3/8-16	8371	3/8-16		
9103EZHD	3/8-16	8372	5/16-18		
9145EZHD	3/8-16	8373	5/16-18		
9190HD	3/8-16	8700	5/16-18		
9190EZHD	3/8-16	8800	5/16-18		
		8848	3/8-16		
		8975	3/8-16		

Pulls sizes - center to center

Pull sizes are determined by the center to center distance between the mounting locations. Ex. A 12" pull has 12" between the mounting locations. The overall pull length will be longer. See pull model detailed pages for specific size information. The table below shows standard available sizes for pulls.

5	5-1/4" (8111 and 8112 Pulls Only), 5-3/4" (8121)
6	6" (8102HD and 8105 Only)
8	8" (8102HD, 8103HD, 8103EZHD, 8105, 8145EZHD, 8190HD, 8190EZHD Only)
9	9" (8700 and 8800 Only)
0	10" (8102HD, 8103HD, 8103EZHD, 8105, 8145EZHD, 8169, 8190HD, 8190EZHD Only)
2	12" (8103HD, 8103EZHD, 8145EZHD, 8169, 8181, 8190HD, 8190EZHD, 8281, 8312, 8371, 8372, 8373, 8700, 8800, 8848, 8975 Only)
16	16" (8181 and 8281 Only)
18	18" (8103EZHD, 8145EZHD, 8181, 8190HD, 8190EZHD, 8281, 8371, 8372, 8373, 8700, 8800 Only)
19	19-3/16" (8189 Only)
20	20" (8320 Only)
24	24" (8371, 8372, 8373, 8700, 8800 Only)

A
Hinges & pivots

B3
Pulls & plates

C
Flush bolts & coordinators

D
Latches, catches & bolts

E
Stops

F
Exterior hardware

G
Miscellaneous hardware

General information - continued

Custom lengths are available as engineering special, consult customer service.

Finishes

BHMA	Description	Substrate	US
605	Bright Brass	Brass	US3
606	Satin Brass	Brass	US4
612	Satin Bronze	Brass	US10
613	Oil rubbed Bronze	Brass	US10B
619	Satin Nickel	Brass or Stainless Steel	US15
625	Bright Chrome	Brass	US26
626	Satin Chrome	Brass	US26D
626-AM*	Satin Chrome - Anti-Microbial	Brass	US26D-AM
628	Satin Aluminium	Aluminium	US28
629	Buff Stainless	Stainless Steel	US32D
629-316	Buff Stainless - 316 Substrate	Stainless Steel -316	US32D-316
630	Satin Stainless Steel	Stainless Steel	US32D
630-316	Satin Stainless - 316 Substrate	Stainless Steel -316	US32D-316
630-AM**	Satin Stainless - Anti-Microbial	Stainless Steel	US32D-AM
---	Aged Bronze	Stainless Steel	643e/716
---	Matte black	Stainless Steel	BLK

*AM - Antimicrobial finish. The antimicrobial coating is specifically formulated to inhibit the growth of bacteria by interrupting cell multiplication. The result is that the silver ions surround bacterial cells, blocking food and slowing the growth of bacteria, mold and mildew. Product with antimicrobial finishes will maintain the products standard warranty for finishes. High traffic, public use areas are ideally suited to antimicrobial coated door hardware. With hundreds or thousands of people accessing these areas every day, safety should be top of mind. Adding door hardware with an antimicrobial coating can make a difference by inhibiting the growth of bacteria on these high-tough surfaces. Applications where antimicrobial coated hardware makes sense include:

Healthcare Education Government
Food service Childcare Rest rooms

** Recommend using 630-AM Anti-microbial for highly corrosive environmental applications

Custom finishes are available as engineering special, consult customer service.

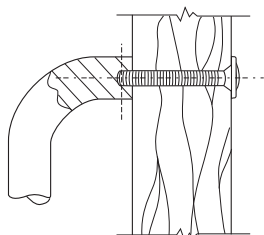
Door thickness

- All Ives architectural pulls, push bars, decorative pulls, and long door pulls come standard with mounting hardware for door thickness ranging from 1-1/2" to 1-3/4". Many pulls have optional mounting hardware for 2" and 2.1/4" thick doors or are available as separate part accessories. See detailed pull model pages for availability.
- Mounting hardware for other door thicknesses are available as engineering special, consult customer service.

Mounting sizes

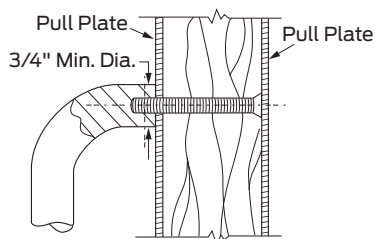
- All mounting hardware is for standard 1-3/4" door.
- Optional mounting hardware for 2" and 2-1/4" doors for many pulls. See pull detail for availability.
- Other mounting hardware sizes available as engineering special. Consult Customer Service.

Through bolt mounts



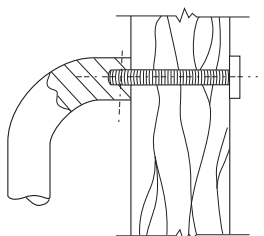
STD Mount - Standard mount

- Through-bolt mount with countersunk washers
 - Hollow metal and wood door applications
- (2) 3/8-16 x 2 1/4" brass, Flat head mounting screws, plated to match
- (2) 3/8-16 Countersunk washers, plated to match



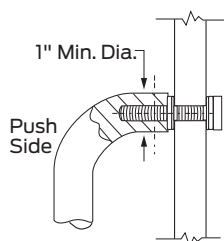
F Mount - Countersunk holes

- Used with countersunk holes in doors
 - Wood door applications
- (2) 2-1/4" steel Flat head mounting screws, plated to match



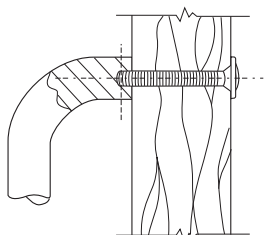
O Mount - Decorative

- Decorative through bolt mount
 - Hollow metal and wood door applications
- (2) 3/8-16 x 2 1/4" Decorative mounting bolts - machine screw, plated to match



Q Mount - Decorative, glass doors

- Decorative through bolt mount
 - Glass door applications
- (2) Decorative mounting bolts - machine screw, plated to match
- (2) Metal and vinyl washers



X Mount - Security

- Security through bolt mount with countersunk washers
 - Hollow metal and wood door applications
- (2) Flat head security pin in socket mounting screws, plated to match
- (2) Countersunk washers, plated to match

A
Hinges & pivots

B5
Pulls & plates

C
Flush bolts & coordinators

D
Latches, catches & bolts

E
Stops

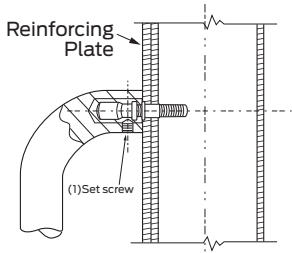
F
Exterior hardware

G
Miscellaneous hardware

Mounting sizes

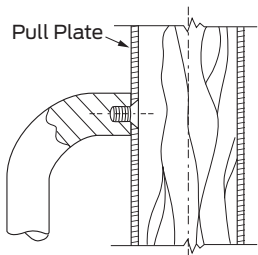
- All mounting hardware is for standard 1-3/4" door.
- Optional mounting hardware for 2" and 2-1/4" doors for many pulls. See pull detail for availability.
- Other mounting hardware sizes available as engineering special. Consult Customer Service.

Concealed mounts



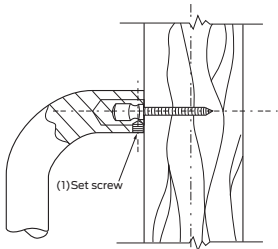
A Mount - Aluminum doors

- Concealed mount
 - Aluminum door applications
- (2) Mounting bolts - machine screw
- (2) Set screws
- Designed to be used with rivet nuts. Not supplied.



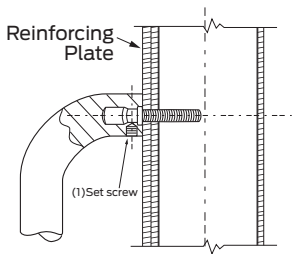
G Mount - Pull plate

- Concealed mount with pull plate
 - Hollow metal and wood door applications
- Pull mounts directly onto plate, Plate is attached to door
- (2) 3/8-16 x 5/8" steel Flat head mounting screws



I Mount - Wood doors

- Concealed mount
 - Wood door applications
- (2) Mounting bolts - wood screw
- (2) Set screws



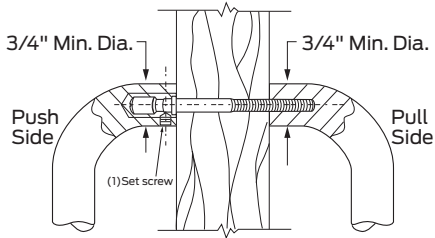
L Mount - Hollow metal doors

- Concealed mount
 - Hollow metal door applications
- (2) Mounting bolts - machine screw
- (2) Set screws

Mounting sizes

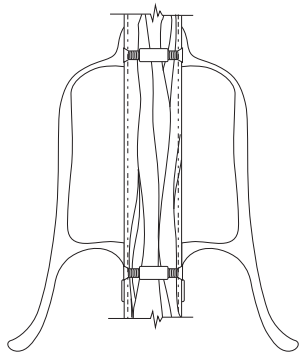
- All mounting hardware is for standard 1-3/4" door.
- Optional mounting hardware for 2" and 2-1/4" doors for many pulls. See pull detail for availability.
- Other mounting hardware sizes available as engineering special. Consult Customer Service.

Back to back mounts



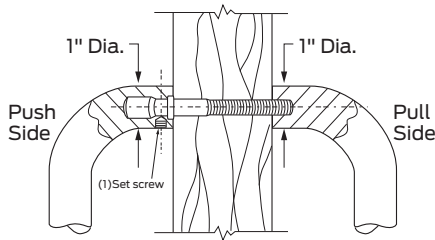
J Mount - 8102 Pull only

- Back to back mounting - 5/16-18 hardware
 - Hollow metal and wood door applications
- (2) Mounting bolts - machine screw
- (2) Set screws



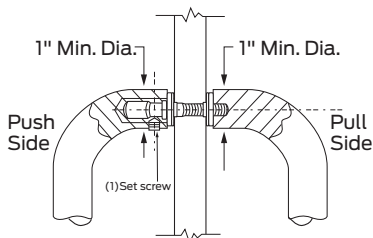
K Mount - 8121 Pull only

- Back to back mounting - 8-32 hardware
 - Hollow metal and wood door applications
- (8) Machine screws
- (4) Mounting sleeves



N Mount

- Back to back mounting - 3/8-16 hardware
 - Hollow metal and wood door applications
- (2) Mounting bolts - machine screw
- (2) Set screws



P Mount - Glass doors

- Back to back mounting - 3/8-16 hardware
 - Glass door applications
- (2) Mounting bolts - machine screw
- (2) Set screws
- (2) Metal and vinyl washers

A
Hinges & pivots

B7
Pulls & plates

C
Flush bolts & coordinators

D
Latches, catches & bolts

E
Stops

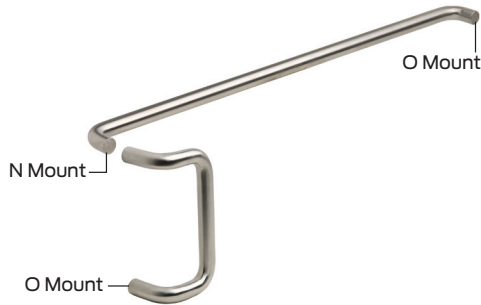
F
Exterior hardware

G
Miscellaneous hardware

Mounting

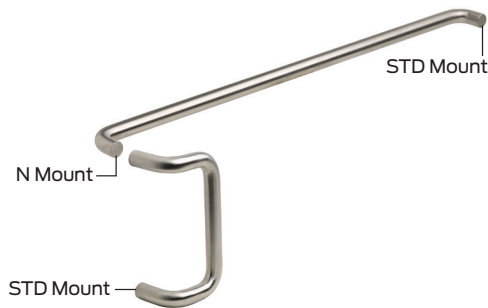
- All mounting hardware is for standard 1-3/4" door.
- Optional mounting hardware for 2" and 2-1/4" doors for many pulls. See pull detail for availability.
- Other mounting hardware sizes available as engineering special. Consult Customer Service.

Push/Pull combo mounts



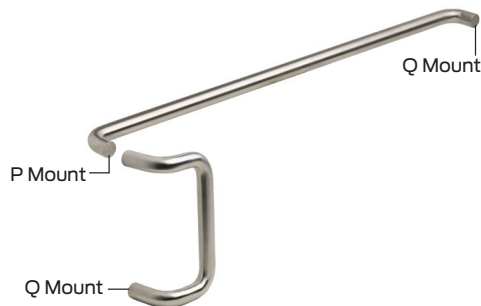
NO Mount - Decorative

- Back to back mounting - 3/8-16 hardware (N) & Decorative through bolt (O)
 - Hollow metal and wood door applications
- Pushbar to pull
 - (1) Mounting bolt - machine screw
 - (1) Set screw
- Free end pushbar and pull
 - (2) Decorative mounting bolts - machine screw, plated to match



NS Mount - Standard

- Back to back mounting - 3/8-16 hardware (N) & Standard through bolt
- Hollow metal and wood door applications
- Pushbar to Pull
 - (1) Mounting bolt - machine screw
 - (1) Set screw
- Free end pushbar and pull
 - (2) Flat head mounting screws, plated to match
 - (2) Countersunk washers, plated to match



PQ Mount - Decorative, glass doors

- Back to back mounting - 3/8-16 hardware (P) & Decorative through bolt (Q)
 - Glass door applications
- Pushbar to pull
 - (1) Mounting bolt - machine screw
 - (1) Set screw
 - (1) Metal and vinyl washers
- Free end pushbar and pull
 - (2) Decorative mounting bolts - machine screw, plated to match
 - (2) Metal and vinyl washers

How to order:

		PR8190EZHD-8 US32D O 1-3/4"				
Single/Pair	Model	Center to center	Finish	Mounting	Door thickness	
	PR	8190EZHD	8	US32D	N	1-3/4"
Single/Pair						
"Blank"	Single pull machined with standard threads					
PR	Pair of pulls - One pull machined with standard threads and one pull machined for back to back mounting					
Jsgl	Single pull machined for back to back mounting (8102 only)					
Nsgl	Single pull machined for back to back mounting					
Psgl	Single pull machined for back to back mounting (glass doors)					
Model						
8102HD	Straight pull - 3/4" round					
8103HD	Straight pull - 1" round					
8103EZHD	Straight pull - 1" round, ADA compliant					
8105	Straight Pull - 1" Flattened					
8145EZHD	45° Offset pull - 1" round, ADA compliant					
8190HD	90° Offset pull - 1" round					
8190EZHD	90° Offset pull - 1" round, ADA compliant					
8111	Straight pull					
8112	Straight pull - surface mount					
8121	Straight pull - surface mount					
8169	Offset Tubular pull					
8181	Offset Georgian pull					
8189	Straight Athens pull					
8281	Straight Georgian pull					
8312	Offset Plymouth pull					
8320	Offset Plymouth pull					
8371	Straight Addison pull					
8372	Straight Camelot pull					
8373	Straight Brookshire pull					
8376	Straight Brookshire pull					
8700	Straight Greenwich pull					
8800	Offset Greenwich pull					
8848	Straight pull					
8975	Straight Rhodes pull					
Center to center						
5	5-1/4" (8111), 5-5/8" (8112), 5-3/4" (8121)					
6	6" (8102HD and 8105 only)					
8	8" (8102HD, 8103HD, 8103EZHD, 8105, 8145EZHD, 8190HD, 8190EZHD only)					
9	9" (8700 and 8800 Only)					
0	10" (8102HD, 8103HD, 8103EZHD, 8105, 8145EZHD, 8169, 8190HD, 8190EZHD only)					
2	12" (8103HD, 8103EZHD, 8145EZHD, 8169, 8181, 8190HD, 8190EZHD, 8281, 8312, 8371, 8372, 8373, 8700, 8800, 8848, 8975 only)					
16	16" (8181 and 8281 only)					
18	18" (8103EZHD, 8145EZHD, 8181, 8190HD, 8190EZHD, 8281, 8371, 8372, 8373, 8700, 8800 only)					
19	19" (8189 only)					
20	20" (8320 only)					
24	24" (8371, 8372, 8373, 8700, 8800 only)					
Finish						
605	Buff Brass	US3				
606	Satin Brass	US4				
612	Satin Bronze	US10				
613	Antique Bronze	US10B				
619	Satin Nickel	US15				
625	Buff Chrome	US26				
626	Satin Chrome	US26D				
626-AM	Satin Chrome - Anti-Microbial	US260-AM				
628	Satin Clear Anodized	US28				
629	Buff Stainless	US32D				
629-316	Buff Stainless - 316 Substrate	US32D-316				
630	Satin Stainless	US32D				
630-316	Satin Stainless - 316 Substrate	US32D-316				
630-AM	Satin Stainless - Anti-Microbial	US32D-AM				
643e/716	Aged Bronze	---				
BLK	Matte black	---				

Hinges & pivots	A
Pulls & plates	B9
Flush bolts & coordinators	C
Latches, catches & bolts	D
Stops	E
Exterior hardware	F
Miscellaneous hardware	G

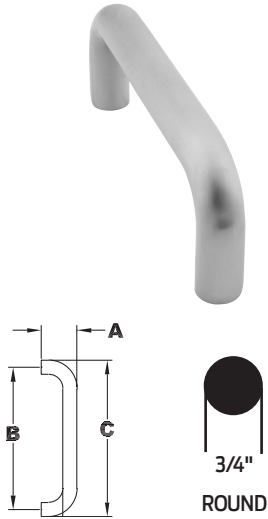
- A
Hinges & pivots
- B10
Pulls & plates
- C
Flush bolts & coordinators
- D
Latches, catches & bolts
- E
Stops
- F
Exterior hardware
- G
Miscellaneous hardware

How to order - continued:

PR8190EZHD-8 US32D O 1-3/4"

Single/Pair	Model	Center to center	Finish	Mounting	Door thickness
PR	8190EZHD	8	US32D	N	1-3/4"

Mounting Hardware	
STD	Through bolt with decorative washer
A	Concealed mount - aluminum doors
F	Through bolt with countersunk hole
G	Concealed mount with pull plates
I	Concealed mount - wood doors
J	Back to back mount
K	Back to back mount (8121 only)
L	Concealed mount - hollow metal doors
N	Back to back mount
O	Decorative through bolt
P	Back to back mount - glass doors
Q	Decorative through bolt - glass doors
X	Through bolt - security screw and decorative washer
Door Thickness	
1-3/4"	Standard
2"	Optional
2-1/4"	Optional



8102HD Solid door pull - 3/4" round

Available Sizes: 6", 8", 10"

Certifications

Meets ANSI A156.06

Mounting

- Heavy duty mounting hardware exceeds industry standards
- 5/16-18 mounting hardware
- Specify door thickness. Standard mounting hardware for door thickness of 1-1/2" to 1-3/4" unless otherwise specified. Optional package available for 2" and 2-1/4" thick doors.
- Comes standard with through bolt screws and decorative washers.
- Optional mounting hardware available (see general information section for details) F, G, I, J, L
- *Mounting hardware for other door thicknesses are available as engineering special, consult customer service.*

Product number	Projection "A"	Clearance	Center to center "B"	Overall length "C"
8102HD-6	2-1/4"	1-1/2"	6"	6-3/4"
8102HD-8	2-1/4"	1-1/2"	8"	8-3/4"
8102HD-0	2-1/4"	1-1/2"	10"	10-3/4"

Material substrate

- Made from solid aluminum (6061-T6 Alloy), brass, or stainless steel (304 Series)

Finishes

BHMA	Description	Substrate	Finish
605	Bright brass	Brass	US3
606	Satin brass	Brass	US4
612	Satin bronze	Brass	US10
613	Oil rubbed bronze	Brass	US10B
619	Satin nickel	Stainless Steel	US15
625	Bright chrome	Brass	US26
626	Satin chrome	Brass	US26D
626-AM	Satin chrome anti-microbial	Brass	US26D-AM
628	Clear anodized	Aluminum	US28
629	Bright stainless	Stainless steel	US32
630	Satin stainless	Stainless steel	US32D
630-AM	Satin stainless anti-microbial	Stainless steel	US32D-AM
631	Matte black	Stainless steel	BLK
643e/716	Aged bronze	Stainless steel	643e/716

Note: For other colors, consult factory.

Additional information

- Specify PR when ordering a set of pulls for back to back mounting
- For one back to back machined pull, specify Jsgl
- *Custom lengths are available as engineering special, consult customer service.*

A
Hinges & pivots

B11
Pulls & plates

C
Flush bolts & coordinators

D
Latches, catches & bolts

E
Stops

F
Exterior hardware

G
Miscellaneous hardware

A
Hinges & pivots

B12
Pulls & plates

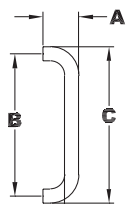
C
Flush bolts & coordinators

D
Latches, catches & bolts

E
Stops

F
Exterior hardware

G
Miscellaneous hardware



8103HD Solid door pull - 1" round

Available Sizes: 8", 10", 12"

Certifications

Meets ANSI A156.06

Mounting

- Heavy duty mounting hardware exceeds industry standards
- 3/8-16 mounting hardware
- Specify door thickness. Standard mounting hardware for door thickness of 1-1/2" to 1-3/4" unless otherwise specified. Optional package available for 2" and 2-1/4" thick doors.
- Comes standard with through bolt screws and decorative washers.
- Optional mounting hardware available (see general information section for details) A, F, G, I, L, N, O, P, Q, X
- *Mounting hardware for other door thicknesses are available as engineering special, consult customer service.*

Product number	Projection "A"	Clearance	Center to center "B"	Overall length "C"
8103HD-8	2-1/2"	1-1/2"	8"	9"
8103HD-0	2-1/2"	1-1/2"	10"	11"
8103HD-2	2-1/2"	1-1/2"	12"	13"

Material substrate

- Made from solid aluminum (6061-T6 Alloy), brass, or stainless steel (304 Series)

Finishes

BHMA	Description	Substrate	Finish
605	Bright brass	Brass	US3
606	Satin brass	Brass	US4
612	Satin bronze	Brass	US10
613	Oil rubbed bronze	Brass	US10B
619	Satin nickel	Stainless Steel	US15
625	Bright chrome	Brass	US26
626	Satin chrome	Brass	US26D
626-AM	Satin chrome anti-microbial	Brass	US26D-AM
628	Clear anodized	Aluminum	US28
629	Bright stainless	Stainless steel	US32
630	Satin stainless	Stainless steel	US32D
630-AM	Satin stainless anti-microbial	Stainless steel	US32D-AM
631	Matte black	Stainless steel	BLK
643e/716	Aged bronze	Stainless steel	643e/716

Note: For other colors, consult factory.

Additional information

- Specify PR when ordering a set of pulls for back to back mounting
- For one back to back machined pull, specify Nsgl or Psgl (glass doors)
- *Custom lengths are available as engineering special, consult customer service.*

8103EZHD Solid door pull - 1" round Large 2-1/2" clearance for the accessibility applications

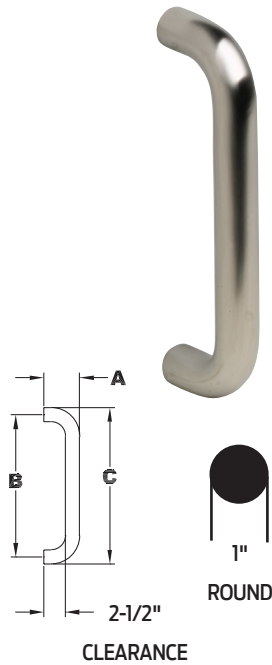
Available Sizes: 8", 10", 12"

Certifications

- Meets ANSI A156.06
- Complies with ADA and barrier free applications

Mounting

- Heavy duty mounting hardware exceeds industry standards
- 3/8-16 mounting hardware
- Specify door thickness. Standard mounting hardware for door thickness of 1-1/2" to 1-3/4" unless otherwise specified. Optional package available for 2" and 2-1/4" thick doors.
- Comes standard with through bolt screws and decorative washers.
- Optional mounting hardware available (see general information section for details) A, F, I, L, N, O, P, Q, X
- Mounting hardware for other door thicknesses are available as engineering special, consult customer service.



Product number	Projection "A"	Clearance	Center to center "B"	Overall length "C"
8103EZHD-8	3-1/2"	2-1/2"	8"	9"
8103EZHD-0	3-1/2"	2-1/2"	10"	11"
8103EZHD-2	3-1/2"	2-1/2"	12"	13"

Material substrate

- Made from solid aluminum (6061-T6 Alloy), brass, or stainless steel (316 Series)
- 316 Series Stainless Steel standard, exceeding industry standards for corrosion resistance
- Recommended for external applications

Finishes

BHMA	Description	Substrate	Finish
605	Bright brass	Brass	US3
606	Satin brass	Brass	US4
612	Satin bronze	Brass	US10
613	Oil rubbed bronze	Brass	US10B
619	Satin nickel	Stainless Steel	US15
625	Bright chrome	Brass	US26
626	Satin chrome	Brass	US26D
626-AM	Satin chrome anti-microbial	Brass	US26D-AM
628	Clear anodized	Aluminum	US28
629-316	Bright stainless	Stainless steel	32-316
630-316	Satin stainless	Stainless steel	32D-316
630-AM	Satin stainless anti-microbial	Stainless steel	US32D-AM
631	Matte black	Stainless steel	BLK
643e/716	Aged bronze	Stainless steel	643e/716

Note: For other colors, consult factory.

Additional information

- Specify PR when ordering a set of pulls for back to back mounting
- For one back to back machined pull, specify Nsgl or Psgl (glass doors)
- Custom lengths are available as engineering special, consult customer service.

A
Hinges & pivots

B13
Pulls & plates

C
Flush bolts & coordinators

D
Latches, catches & bolts

E
Stops

F
Exterior hardware

G
Miscellaneous hardware

A
Hinges & pivots

B14
Pulls & plates

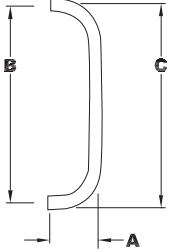
C
Flush bolts & coordinators

D
Latches, catches & bolts

E
Stops

F
Exterior hardware

G
Miscellaneous hardware



8105 Solid door pull - 1" flattened

Available Sizes: 8", 10", 12"

Certifications

Meets ANSI A156.06

Mounting

- 1/4-20 mounting hardware
- Specify door thickness. Standard mounting hardware for door thickness of 1-1/2" to 1-3/4" unless otherwise specified. Optional package available for 2" and 2-1/4" thick doors.
- Comes standard with through bolt screws and decorative washers.
- Optional mounting hardware available (see general information section for details)
- *Mounting hardware for other door thicknesses are available as engineering special, consult customer service.*

Product number	Projection "A"	Clearance	Center to center "B"	Overall length "C"
8105-6	2"	1-1/2"	6"	6-1/2"
8105-8	2"	1-1/2"	8"	8-1/2"
8105-0	2"	1-1/2"	10"	10-1/2"

Material substrate

- Made from solid aluminum (6061-T6 Alloy), brass, or stainless steel (304 Series)

Finishes

BHMA	Description	Substrate	Finish
605	Bright brass	Brass	US3
606	Satin brass	Brass	US4
612	Satin bronze	Brass	US10
613	Oil rubbed bronze	Brass	US10B
619	Satin nickel	Stainless Steel	US15
625	Bright chrome	Brass	US26
626	Satin chrome	Brass	US26D
626-AM	Satin chrome anti-microbial	Brass	US26D-AM
628	Clear anodized	Aluminum	US28
629	Bright stainless	Stainless steel	US32
630	Satin stainless	Stainless steel	US32D
630-AM	Satin stainless anti-microbial	Stainless steel	US32D-AM
631	Matte black	Stainless steel	BLK
643e/716	Aged bronze	Stainless steel	643e/716

Note: For other colors, consult factory.

Additional information

- *Custom lengths are available as engineering special, consult customer service.*



8145EZHD 45° Offset solid door pull

Available Sizes: 8", 10", 12", 18"

Certifications

Meets ANSI A156.06

Complies with ADA and Barrier Free Applications

Mounting

- Heavy duty mounting hardware exceeds industry standards
- 3/8-16 mounting hardware
- Specify door thickness. Standard mounting hardware for door thickness of 1-1/2" to 1-3/4" unless otherwise specified. Optional package available for 2" and 2-1/4" thick doors.
- Comes standard with through bolt screws and decorative washers.
- Optional mounting hardware available (see general information section for details) A, F, I, L, N, O, P, Q, X
- Mounting hardware for other door thicknesses are available as engineering special, consult customer service.

Product number	Projection "A"	Clearance	Center to center "B"	Overall length "C"	Offset "D"
8145EZHD-8	3-1/2"	2-1/2"	8"	9"	2-1/2"
8145EZHD-0	3-1/2"	2-1/2"	10"	11"	2-1/2"
8145EZHD-2	3-1/2"	2-1/2"	12"	13"	2-1/2"
8145EZHD-18	3-1/2"	2-1/2"	18"	19"	2-1/2"

Material substrate

- Made from solid aluminum (6061-T6 Alloy), brass, or stainless steel (316 Series)
- 316 Series Stainless Steel standard, exceeding industry standards for corrosion resistance
- Recommended for external applications

Finishes

BHMA	Description	Substrate	Finish
605	Bright brass	Brass	US3
606	Satin brass	Brass	US4
612	Satin bronze	Brass	US10
613	Oil rubbed bronze	Brass	US10B
619	Satin nickel	Stainless Steel	US15
625	Bright chrome	Brass	US26
626	Satin chrome	Brass	US26D
626-AM	Satin chrome anti-microbial	Brass	US26D-AM
628	Clear anodized	Aluminum	US28
629-316	Bright stainless	Stainless steel	32-316
630-316	Satin stainless	Stainless steel	32D-316
630-AM	Satin stainless anti-microbial	Stainless steel	US32D-AM
631	Matte black	Stainless steel	BLK
643e/716	Aged bronze	Stainless steel	643e/716

Note: For other colors, consult factory.

Additional information

- Specify PR when ordering a set of pulls for back to back mounting
- For one back to back machined pull, specify Nsgl or Psgl (glass doors)
- Custom lengths are available as engineering special, consult customer service.

A
Hinges & pivots

B15
Pulls & plates

C
Flush bolts & coordinators

D
Latches, catches & bolts

E
Stops

F
Exterior hardware

G
Miscellaneous hardware

A
Hinges & pivots

B16
Pulls & plates

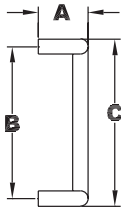
C
Flush bolts & coordinators

D
Latches, catches & bolts

E
Stops

F
Exterior hardware

G
Miscellaneous hardware



8190HD 90° Offset solid door pull

Available Sizes: 8", 10", 12", 18"

Certifications

Meets ANSI A156.06

Mounting

- Heavy duty mounting hardware exceeds industry standards
- 3/8-16 mounting hardware
- Specify door thickness. Standard mounting hardware for door thickness of 1-1/2" to 1-3/4" unless otherwise specified. Optional package available for 2" and 2-1/4" thick doors.
- Comes standard with through bolt screws and decorative washers.
- Optional mounting hardware available (see general information section for details) A, F, I, L, N, O, P, Q, X
- *Mounting hardware for other door thicknesses are available as engineering special, consult customer service.*

Product number	Projection "A"	Clearance	Center to center "B"	Overall length "C"	Overall offset "D"
8190HD-8	3-1/4"	2-1/4"	8"	9"	4 1/4"
8190HD-0	3-1/4"	2-1/4"	10"	11"	4 1/4"
8190HD-2	3-1/4"	2-1/4"	12"	13"	4 1/4"
8190HD-18	3-1/4"	2-1/4"	18"	19"	4 1/4"

Material substrate

- Made from solid aluminum (6061-T6 Alloy), brass, or stainless steel (304 Series)

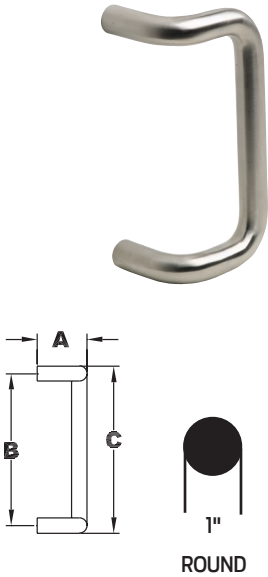
Finishes

BHMA	Description	Substrate	Finish
605	Bright brass	Brass	US3
606	Satin brass	Brass	US4
612	Satin bronze	Brass	US10
613	Oil rubbed bronze	Brass	US10B
619	Satin nickel	Stainless Steel	US15
625	Bright chrome	Brass	US26
626	Satin chrome	Brass	US26D
626-AM	Satin chrome anti-microbial	Brass	US26D-AM
628	Clear anodized	Aluminum	US28
629	Bright stainless	Stainless steel	US32
630	Satin stainless	Stainless steel	US32D
630-AM	Satin stainless anti-microbial	Stainless steel	US32D-AM
631	Matte black	Stainless steel	BLK
643e/716	Aged bronze	Stainless steel	643e/716

Note: For other colors, consult factory.

Additional information

- Specify PR when ordering a set of pulls for back to back mounting
- For one back to back machined pull, specify Nsgl or Psgl (glass doors)
- *Custom lengths are available as engineering special, consult customer service.*



8190EZHD 90° Offset solid door pull

Available Sizes: 8", 10", 12", 18"

Certifications

Meets ANSI A156.06

Complies with ADA and Barrier Free Applications

Mounting

- Heavy duty mounting hardware exceeds industry standards
- 3/8-16 mounting hardware
- Specify door thickness. Standard mounting hardware for door thickness of 1-1/2" to 1-3/4" unless otherwise specified. Optional package available for 2" and 2-1/4" thick doors.
- Comes standard with through bolt screws and decorative washers.
- Optional mounting hardware available (see general information section for details) A, F, I, L, N, O, P, Q, X
- Mounting hardware for other door thicknesses are available as engineering special, consult customer service.

Product number	Projection "A"	Clearance	Center to center "B"	Overall length "C"	Overall offset "D"
8190EZHD-8	3-1/2"	2-1/2"	8"	9"	4 1/4"
8190EZHD-0	3-1/2"	2-1/2"	10"	11"	4 1/4"
8190EZHD-2	3-1/2"	2-1/2"	12"	13"	4 1/4"
8190EZHD-18	3-1/2"	2-1/2"	18"	19"	4 1/4"

Material substrate

- Made from solid aluminum (6061-T6 Alloy), brass, or stainless steel (316 Series)
- 316 Series Stainless Steel standard, exceeding industry standards for corrosion resistance
- Recommended for external applications

Finishes

BHMA	Description	Substrate	Finish
605	Bright brass	Brass	US3
606	Satin brass	Brass	US4
612	Satin bronze	Brass	US10
613	Oil rubbed bronze	Brass	US10B
619	Satin nickel	Stainless Steel	US15
625	Bright chrome	Brass	US26
626	Satin chrome	Brass	US26D
626-AM	Satin chrome anti-microbial	Brass	US26D-AM
628	Clear anodized	Aluminum	US28
629-316	Bright stainless	Stainless steel	32-316
630-316	Satin stainless	Stainless steel	32D-316
630-AM	Satin stainless anti-microbial	Stainless steel	US32D-AM
631	Matte black	Stainless steel	BLK
643e/716	Aged bronze	Stainless steel	643e/716

Note: For other colors, consult factory.

Additional information

- Specify PR when ordering a set of pulls for back to back mounting
- For one back to back machined pull, specify Nsgl or Psgl (glass doors)
- Custom lengths are available as engineering special, consult customer service.

A
Hinges & pivots

B17
Pulls & plates

C
Flush bolts & coordinators

D
Latches, catches & bolts

E
Stops

F
Exterior hardware

G
Miscellaneous hardware



9100HD Solid push bar

Available in standard lengths of 28" and 33".
Also available in whole 1" increments from 25" to 45".
Other lengths available as engineering special, consult customer service.

Certifications

- Meets ANSI A156.06

Mounting

- Heavy duty mounting hardware exceeds industry standards
- 3/8-16 mounting hardware
- Specify door thickness. Standard mounting hardware for door thickness of 1-1/2" to 1-3/4" unless otherwise specified. Optional package available for 2" and 2-1/4" thick doors.
- Comes standard with type NS mounting.
- Optional mounting hardware available (see general information section for details)
A, F, I, L, N, NO, STD, O, P, PQ, Q, X
- Mounting hardware for other door thicknesses are available as engineering special, consult customer service.

Projection "A"	Clearance	Center to center "B"	Overall length "C"
2-1/2"	1-1/2"	25-45"	Add 1" to CTC length

Material substrate

- Made from solid aluminum (6061-T6 Alloy), brass, or stainless steel (304 or 316 Series)
- 316 Series Stainless Steel standard, exceeding industry standards for corrosion resistance
- Recommended for external applications

Finishes

BHMA	Description	Substrate	Finish
605	Bright brass	Brass	US3
606	Satin brass	Brass	US4
612	Satin bronze	Brass	US10
613	Oil rubbed bronze	Brass	US10B
619	Satin nickel	Stainless Steel	US15
625	Bright chrome	Brass	US26
626	Satin chrome	Brass	US26D
626-AM	Satin chrome anti-microbial	Brass	US26D-AM
628	Clear anodized	Aluminum	US28
629	Bright stainless	Stainless steel	US32
629-316	Bright stainless	Stainless steel	32-316
630	Satin stainless	Stainless steel	US32D
630-316	Satin stainless	Stainless steel	32D-316
630-AM	Satin stainless anti-microbial	Stainless steel	US32D-AM
631	Matte black	Stainless steel	BLK
643e/716	Aged bronze	Stainless steel	643e/716

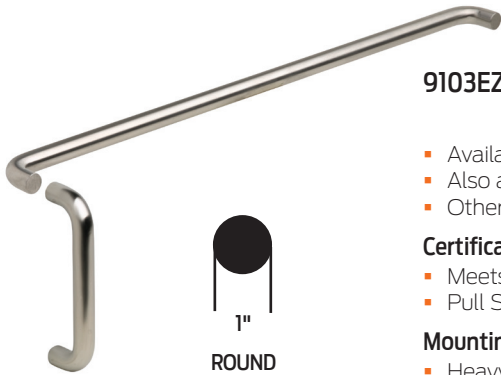
Note: For other colors, consult factory.

Additional information

- Specify PR when ordering a set of push bars for back to back mounting
- For one back to back machined push bar, specify Nsgl or Psgl (glass doors)
- Specify STD, A, F, I L, O or Q when planning to mount push bar alone.
- Specify NS, NO, or PQ when using as a part of a push pull combination.

Caution

- The length of push bar should not interfere with the door jamb or cause a pinch point



9103EZHD Solid straight pull/push bar combo (8103EZHD Pull + 9100HD Push)

- Available in standard lengths of 28" and 33".
- Also available in whole 1" increments from 25" to 45".
- Other lengths available as engineering special, consult customer service.

Certifications

- Meets ANSI A156.06
- Pull Side complies with ADA and Barrier Free Applications

Mounting

- Heavy duty mounting hardware exceeds industry standards
- 3/8-16 mounting hardware
- Specify door thickness. Standard mounting hardware for door thickness of 1-1/2" to 1-3/4" unless otherwise specified. Optional package available for 2" and 2-1/4" thick doors.
- Comes standard with type NS mounting.
- Optional mounting hardware available (see general information section for details) NO, PQ
- *Mounting hardware for other door thicknesses are available as engineering special, consult customer service.*

Product number	CTC Push	CTC Pull	Projection Push & Pull
9103EZHD	25 to 45"	8"	2-1/2" & 3-1/2"
9103EZHD	25 to 45"	10"	2-1/2" & 3-1/2"
9103EZHD	25 to 45"	12"	2-1/2" & 3-1/2"

Material substrate

- Made from solid aluminum (6061-T6 Alloy), brass, or stainless steel (316 Series)
- 316 Series Stainless Steel standard, exceeding industry standards for corrosion resistance
- Recommended for external applications

Finishes

BHMA	Description	Substrate	Finish
605	Bright brass	Brass	US3
606	Satin brass	Brass	US4
612	Satin bronze	Brass	US10
613	Oil rubbed bronze	Brass	US10B
619	Satin nickel	Stainless Steel	US15
625	Bright chrome	Brass	US26
626	Satin chrome	Brass	US26D
626-AM	Satin chrome anti-microbial	Brass	US26D-AM
628	Clear anodized	Aluminum	US28
629-316	Bright stainless	Stainless steel	32-316
630-316	Satin stainless	Stainless steel	32D-316
630-AM	Satin stainless anti-microbial	Stainless steel	US32D-AM
631	Matte black	Stainless steel	BLK
643e/716	Aged bronze	Stainless steel	643e/716

Note: For other colors, consult factory.

Caution

- The length of push bar should not interfere with the door jamb or cause a pinch point

A
Hinges & pivots

B19
Pulls & plates

C
Flush bolts & coordinators

D
Latches, catches & bolts

E
Stops

F
Exterior hardware

G
Miscellaneous hardware



9145EZHD 45° Offset pull/push bar combo (8145HD pull + 9100HD push)

- Available in standard lengths of 28" and 33".
- Also available in whole 1" increments from 25" to 45".
- Other lengths available as engineering special, consult customer service.

Certifications

- Meets ANSI A156.06
- Pull Side complies with ADA and Barrier Free Applications

Mounting

- Heavy duty mounting hardware exceeds industry standards
- 3/8-16 mounting hardware
- Specify door thickness. Standard mounting hardware for door thickness of 1-1/2" to 1-3/4" unless otherwise specified. Optional package available for 2" and 2-1/4" thick doors.
- Comes standard with type NS mounting.
- Optional mounting hardware available (see general information section for details) NO, PQ
- Mounting hardware for other door thicknesses are available as engineering special, consult customer service.

Product number	CTC Push	CTC Pull	Projection Push & Pull
9145EZHD	25 to 45"	8"	2-1/2" & 3-1/2"
9145EZHD	25 to 45"	10"	2-1/2" & 3-1/2"
9145EZHD	25 to 45"	12"	2-1/2" & 3-1/2"
9145EZHD	25 to 45"	18"	2-1/2" & 3-1/2"

Material substrate

- Made from solid aluminum (6061-T6 Alloy), brass, or stainless steel (316 Series)
- 316 Series Stainless Steel standard, exceeding industry standards for corrosion resistance
- Recommended for external applications

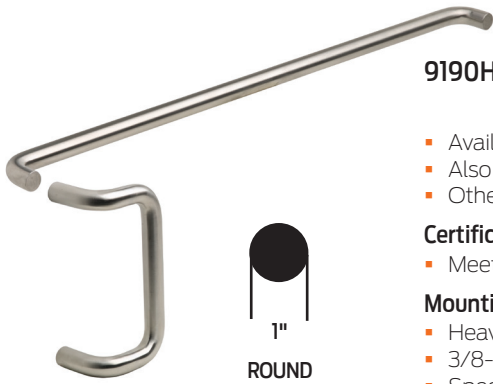
Finishes

BHMA	Description	Substrate	Finish
605	Bright brass	Brass	US3
606	Satin brass	Brass	US4
612	Satin bronze	Brass	US10
613	Oil rubbed bronze	Brass	US10B
619	Satin nickel	Stainless Steel	US15
625	Bright chrome	Brass	US26
626	Satin chrome	Brass	US26D
626-AM	Satin chrome anti-microbial	Brass	US26D-AM
628	Clear anodized	Aluminum	US28
629-316	Bright stainless	Stainless steel	32-316
630-316	Satin stainless	Stainless steel	32D-316
630-AM	Satin stainless anti-microbial	Stainless steel	US32D-AM
631	Matte black	Stainless steel	BLK
643e/716	Aged bronze	Stainless steel	643e/716

Note: For other colors, consult factory.

Caution

- The length of push bar should not interfere with the door jamb or cause a pinch point



9190HD Solid 90° Offset pull/push bar combo (8190HD pull + 9100HD push)

- Available in standard lengths of 28" and 33".
- Also available in whole 1" increments from 25" to 45".
- Other lengths available as engineering special, consult customer service.

Certifications

- Meets ANSI A156.06

Mounting

- Heavy duty mounting hardware exceeds industry standards
- 3/8-16 mounting hardware
- Specify door thickness. Standard mounting hardware for door thickness of 1-1/2" to 1-3/4" unless otherwise specified. Optional package available for 2" and 2-1/4" thick doors.
- Comes Standard with type NS mounting.
- Optional mounting hardware available (see general information section for details) NO, PQ
- Mounting hardware for other door thicknesses are available as engineering special, consult customer service.

Product number	CTC Push	CTC Pull	Projection push and pull
9190EZHD	25 to 45"	8"	2 1/2" and 3 1/4"
9190EZHD	25 to 45"	10"	2 1/2" and 3 1/4"
9190EZHD	25 to 45"	12"	2 1/2" and 3 1/4"
9190EZHD	25 to 45"	18"	2 1/2" and 3 1/4"

Material substrate

- Made from solid aluminum (6061-T6 Alloy), brass, or stainless steel (304 Series)

Finishes

BHMA	Description	Substrate	Finish
605	Bright brass	Brass	US3
606	Satin brass	Brass	US4
612	Satin bronze	Brass	US10
613	Oil rubbed bronze	Brass	US10B
619	Satin nickel	Stainless Steel	US15
625	Bright chrome	Brass	US26
626	Satin chrome	Brass	US26D
626-AM	Satin chrome anti-microbial	Brass	US26D-AM
628	Clear anodized	Aluminum	US28
629	Bright stainless	Stainless steel	US32
630	Satin stainless	Stainless steel	US32D
630-AM	Satin stainless anti-microbial	Stainless steel	US32D-AM
631	Matte black	Stainless steel	BLK
643e/716	Aged bronze	Stainless steel	643e/716

Note: For other colors, consult factory.

Caution

- The length of push bar should not interfere with the door jamb or cause a pinch point

A
Hinges & pivots

B21
Pulls & plates

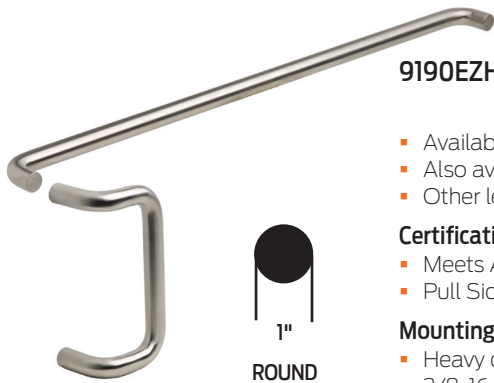
C
Flush bolts & coordinators

D
Latches, catches & bolts

E
Stops

F
Exterior hardware

G
Miscellaneous hardware



9190EZHD Solid 90° Offset pull/push bar combo (8190EZHD pull + 9100HD push)

- Available in standard lengths of 28" and 33".
- Also available in whole 1" increments from 25" to 45".
- Other lengths available as engineering special, consult customer service.

Certifications

- Meets ANSI A156.06
- Pull Side complies with ADA and Barrier Free Applications

Mounting

- Heavy duty mounting hardware exceeds industry standards
- 3/8-16 mounting hardware
- Specify door thickness. Standard mounting hardware for door thickness of 1-1/2" to 1-3/4" unless otherwise specified. Optional package available for 2" and 2-1/4" thick doors.
- Comes standard with type NS mounting.
- Optional mounting hardware available (see general information section for details) NO, PQ
- Mounting hardware for other door thicknesses are available as engineering special, consult customer service.

Product number	CTC Push	CTC Pull	Projection push & pull
9190EZHD	25 to 45"	8"	2-1/2" & 3-1/2"
9190EZHD	25 to 45"	10"	2-1/2" & 3-1/2"
9190EZHD	25 to 45"	12"	2-1/2" & 3-1/2"
9190EZHD	25 to 45"	18"	2-1/2" & 3-1/2"

Material substrate

- Made from solid aluminum (6061-T6 Alloy), brass, or stainless steel (316 Series)
- 316 Series Stainless Steel standard, exceeding industry standards for corrosion resistance
- Recommended for external applications

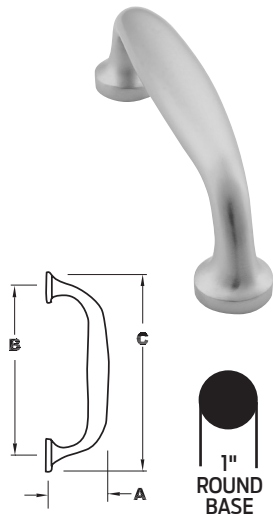
Finishes

BHMA	Description	Substrate	Finish
605	Bright brass	Brass	US3
606	Satin brass	Brass	US4
612	Satin bronze	Brass	US10
613	Oil rubbed bronze	Brass	US10B
619	Satin nickel	Stainless Steel	US15
625	Bright chrome	Brass	US26
626	Satin chrome	Brass	US26D
626-AM	Satin chrome anti-microbial	Brass	US26D-AM
628	Clear anodized	Aluminum	US28
629-316	Bright stainless	Stainless steel	32-316
630-316	Satin stainless	Stainless steel	32D-316
630-AM	Satin stainless anti-microbial	Stainless steel	US32D-AM
631	Matte black	Stainless steel	BLK
643e/716	Aged bronze	Stainless steel	643e/716

Note: For other colors, consult factory.

Caution

- The length of push bar should not interfere with the door jamb or cause a pinch point



8111-5 Solid door pull

Sizes: 5 1/4"

Certifications

Meets ANSI A156.06

Mounting

- 1/4-20 mounting hardware
- Specify door thickness. Standard mounting hardware for door thickness of 1-1/2" to 1-3/4" unless otherwise specified. Optional package available for 2" and 2-1/4" thick doors.
- Comes standard with through bolt screws and decorative washers.
- Optional mounting hardware available (see general information section for details) F, G
- Mounting hardware for other door thicknesses are available as engineering special, consult customer service.

Product number	Projection "A"	Clearance	Center to center "B"	Overall length "C"
8111-5	1-3/16"	1-3/16"	5-1/4"	6-1/4"

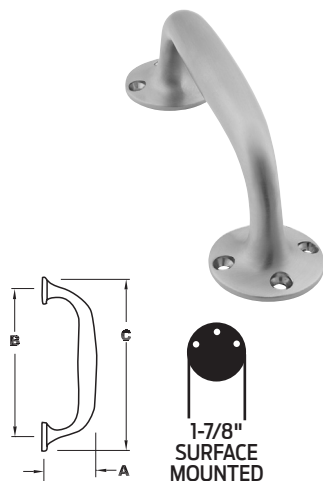
Material substrate

- Made from solid aluminum (6061-T6 Alloy), brass, or stainless steel (304 Series)

Finishes

BHMA	Description	Substrate	Finish
605	Bright brass	Brass	US3
606	Satin brass	Brass	US4
612	Satin bronze	Brass	US10
613	Oil rubbed bronze	Brass	US10B
619	Satin nickel	Stainless Steel	US15
625	Bright chrome	Brass	US26
626	Satin chrome	Brass	US26D
626-AM	Satin chrome anti-microbial	Brass	US26D-AM
628	Clear anodized	Aluminum	US28
630	Satin stainless	Stainless steel	US32D
630-AM	Satin stainless anti-microbial	Stainless steel	US32D-AM
631	Matte black	Stainless steel	BLK

Note: For other colors, consult factory.



8112-5 Solid door pull

Sizes: 5-1/4"

Certifications

Meets ANSI A156.06

Mounting

- 8 x 1" wood screws
- Surface mount only

Product number	Projection "A"	Clearance	Center to center "B"	Overall length "C"
8112-5	2-13/16"	1-7/16"	5-5/8"	7-1/2"

Material substrate

- Made from solid brass

Finishes

BHMA	Description	Substrate	Finish
626	Satin chrome	Brass	US26D
626-AM	Satin chrome anti-microbial	Brass	US26D-AM

Note: For other colors, consult factory.

Hinges & pivots
A

Pulls & plates
B23

Flush bolts & coordinators
C

Latches, catches & bolts
D

Stops
E

Exterior hardware
F

Miscellaneous hardware
G

A
Hinges & pivots

B24
Pulls & plates

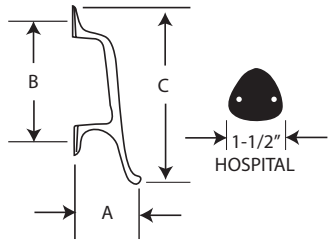
C
Flush bolts & coordinators

D
Latches, catches & bolts

E
Stops

F
Exterior hardware

G
Miscellaneous hardware



8121 Solid door pull

Sizes: 5-3/4"

Certifications

Meets ANSI A156.06

Mounting

- 8-32 x 1" machine screw and #8 x 1" wood screw
- Specify door thickness. Standard mounting hardware for door thickness of 1-1/2" to 1-3/4" unless otherwise specified.
- Supplied standard with K mounting hardware; optional mounting hardware available (see general information section for details)
- Mounting hardware for other door thicknesses are available as engineering special, consult customer service.

Product number	Projection "A"	Clearance	Center to center "B"	Overall length "C"
8121-5	3-1/2"	1-7/16"	5-3/4"	8-3/4"

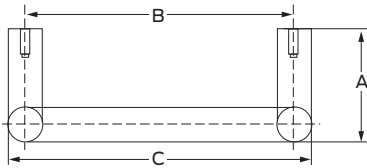
Material substrate

- Made from solid brass

Finishes

BHMA	Description	Substrate	Finish
626	Satin chrome	Brass	US26D
626-AM	Satin chrome anti-microbial	Brass	US26D-AM

Note: For other colors, consult factory.



8169 C Style (tubular series) offset solid door pull

1" Diameter pull bar
Available Sizes: 10", 12"

Certifications

Meets ANSI A156.06

Mounting

- Heavy duty mounting hardware exceeds industry standards
- 3/8-16 mounting hardware
- Specify door thickness. Standard mounting hardware for door thickness of 1-1/2" to 1-3/4" unless otherwise specified. Accessory package available for 2" and 2-1/4" thick doors.
- Comes standard with through bolt screws and decorative washers.
- Optional mounting hardware available (see general information section for details) A, F, I, L, N, O, P, Q, X
- *Mounting hardware for other door thicknesses are available as engineering special, consult customer service.*

Product number	Projection "A"	Clearance	Offset	Center to center "B"	Overall length "C"
8169-0	3"	2"	6-1/2"	10	11
8169-2	3"	2"	6-1/2"	12	13

Material substrate

- Made from brass or stainless steel (304 Series)

Finishes

BHMA	Description	Substrate	Finish
605	Bright brass	Brass	US3
613	Oil rubbed bronze	Brass	US10B
619	Satin nickel	Brass	US15
625	Bright chrome	Brass	US26
626	Satin chrome	Brass	US26D
630	Satin stainless	Stainless steel	US32D
631	Matte black	Stainless steel	BLK

Note: For other colors, consult factory.

Additional information

- Specify PR when ordering a set of pulls for back to back mounting
- For one back to back machined pull, specify Nsgl or Psgl (glass doors)
- *Custom lengths are available as engineering special, consult customer service.*

A
Hinges & pivots

B25
Pulls & plates

C
Flush bolts & coordinators

D
Latches, catches & bolts

E
Stops

F
Exterior hardware

G
Miscellaneous hardware



8181 Georgian 90° offset solid door pull

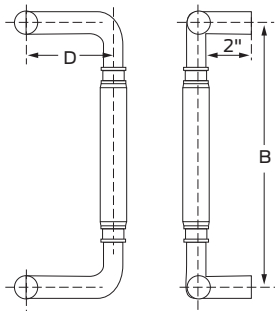
1" Round pull (Grip Area 1.1/4")
Available sizes: 12", 16", 18"

Certifications

Meets ANSI A156.06

Mounting

- Heavy duty mounting hardware exceeds industry standards
- 3/8-16 mounting hardware
- Specify door thickness. Standard mounting hardware for door thickness of 1-1/2" to 1-3/4" unless otherwise specified. Accessory package available for 2" and 2-1/4" thick doors.
- Comes standard with through bolt screws and decorative washers.
- Optional mounting hardware available (see general information section for details) A, F, I, L, N, O, P, Q, X
- Mounting hardware for other door thicknesses are available as engineering special, consult customer service.



Product number	Projection "A"	Clearance	Offset "D"	Center to center "B"	Overall length "C"
8181-2	3-1/8"	1-7/8"	4"	12"	12-3/4"
8181-16	3-1/8"	1-7/8"	4"	16"	16-3/4"
8181-18	3-1/8"	1-7/8"	4"	18"	18-3/4"

Material substrate

- Made from solid aluminum, brass or stainless steel (304 Series)

Finishes

BHMA	Description	Substrate	Finish
605	Bright brass	Brass	US3
613	Oil rubbed bronze	Brass	US10B
619	Satin nickel	Brass	US15
625	Bright chrome	Brass	US26
626	Satin chrome	Brass	US26D
628	Clear anodized	Aluminum	US28
630	Satin stainless	Stainless steel	US32D
631	Matte black	Stainless steel	BLK

Note: For other colors, consult factory.

Additional information

- Specify PR when ordering a set of pulls for back to back mounting
- For one back to back machined pull, specify Nsgl or Psgl (glass doors)
- Custom lengths are available as engineering special, consult customer service.



8189 Athens offset tubular door pull

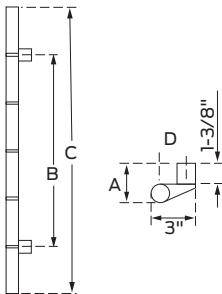
1-1/4" Diameter pull bar with 1-1/4" Diameter mounting posts
Available sizes: 19 3/16"

Certifications

Meets ANSI A156.06

Mounting

- Heavy duty mounting hardware exceeds industry standards
- 3/8-16 mounting hardware
- Specify door thickness. Standard mounting hardware for door thickness of 1-1/2" to 1-3/4" unless otherwise specified. Accessory package available for 2" and 2-1/4" thick doors.
- Comes standard with through bolt screws and decorative washers.
- Optional mounting hardware available (see general information section for details) A, F, I, L, N, O, P, Q, X
- *Mounting hardware for other door thicknesses are available as engineering special, consult customer service.*



Product number	Projection "A"	Clearance	Offset "D"	Center to center "B"	Overall length "C"
8181-19	2-5/8"	1-3/8"	1-1/2"	19-13/16"	29.5"

Material substrate

- Made from brass or stainless steel (304 Series)

Finishes

BHMA	Description	Substrate	Finish
605	Bright brass	Brass	US3
613	Oil rubbed bronze	Brass	US10B
619	Satin nickel	Brass	US15
625	Bright chrome	Brass	US26
626	Satin chrome	Brass	US26D
630	Satin stainless	Stainless steel	US32D
631	Matte black	Stainless steel	BLK

Note: For other colors, consult factory.

Additional information

- Specify PR when ordering a set of pulls for back to back mounting
- For one back to back machined pull, specify Nsgl or Psgl (glass doors)
- *Custom lengths are available as engineering special, consult customer service.*

A
Hinges & pivots

B27
Pulls & plates

C
Flush bolts & coordinators

D
Latches, catches & bolts

E
Stops

F
Exterior hardware

G
Miscellaneous hardware

A
Hinges & pivots

B28
Pulls & plates

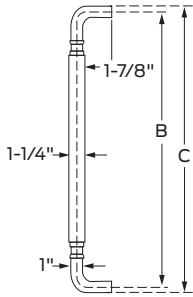
C
Flush bolts & coordinators

D
Latches, catches & bolts

E
Stops

F
Exterior hardware

G
Miscellaneous hardware



8281 Georgian straight solid door pull

1" Round pull (grip area 1.1/4")
Available sizes: 12", 16", 18"

Certifications

Meets ANSI A156.06

Mounting

- Heavy duty mounting hardware exceeds industry standards
- 3/8-16 mounting hardware
- Specify door thickness. Standard mounting hardware for door thickness of 1-1/2" to 1-3/4" unless otherwise specified. Accessory package available for 2" and 2-1/4" thick doors.
- Comes standard with through bolt screws and decorative washers.
- Optional mounting hardware available (see general information section for details) A, F, I, L, N, O, P, Q, X
- Mounting hardware for other door thicknesses are available as engineering special, consult customer service.

Product number	Projection "A"	Clearance	Center to center "B"	Overall length "C"
8181-2	3-1/8"	1-7/8"	12"	12-3/4"
8181-16	3-1/8"	1-7/8"	16"	16-3/4"
8181-18	3-1/8"	1-7/8"	18"	18-3/4"

Material substrate

- Made from solid aluminum, brass or stainless steel (304 Series)

Finishes

BHMA	Description	Substrate	Finish
605	Bright brass	Brass	US3
613	Oil rubbed bronze	Brass	US10B
619	Satin nickel	Brass	US15
625	Bright chrome	Brass	US26
626	Satin chrome	Brass	US26D
628	Clear anodized	Aluminum	US28
630	Satin stainless	Stainless steel	US32D
631	Matte black	Stainless steel	BLK

Note: For other colors, consult factory.

Additional information

- Specify PR when ordering a set of pulls for back to back mounting
- For one back to back machined pull, specify Nsgl or Qsgl (glass doors)
- Custom lengths are available as engineering special, consult customer service.



8312 Plymouth offset solid door pull

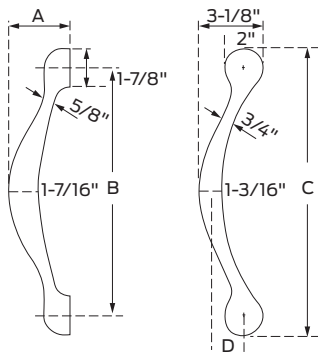
1-7/16" Max grip diameter
Available Sizes: 12"

Certifications

Meets ANSI A156.06

Mounting

- Heavy duty mounting hardware exceeds industry standards
- 3/8-16 mounting hardware
- Specify door thickness. Standard mounting hardware for door thickness of 1-1/2" to 1-3/4" unless otherwise specified. Accessory package available for 2" and 2-1/4" thick doors.
- Comes standard with through bolt screws and decorative washers.
- Optional mounting hardware available (see general information section for details) A, F, I, L, N, O, P, Q, X
- Mounting hardware for other door thicknesses are available as engineering special, consult customer service.



Product number	Projection "A"	Clearance	Offset "D"	Center to center "B"	Overall length "C"
8312-2	3"	1-9/16"	1-1/2"	12"	14"

Material substrate

- Made from brass or stainless steel (304 Series)

Finishes

BHMA	Description	Substrate	Finish
605	Bright brass	Brass	US3
613	Oil rubbed bronze	Brass	US10B
619	Satin nickel	Brass	US15
625	Bright chrome	Brass	US26
626	Satin chrome	Brass	US26D
630	Satin stainless	Stainless steel	US32D
631	Matte black	Stainless steel	BLK

Note: For other colors, consult factory.

Additional information

- Specify PR when ordering a set of pulls for back to back mounting
- For one back to back machined pull, specify Nsgl or Psgl (glass doors)
- Custom lengths are available as engineering special, consult customer service.

Hinges & pivots
A

Pulls & plates
B29

Flush bolts & coordinators
C

Latches, catches & bolts
D

Stops
E

Exterior hardware
F

Miscellaneous hardware
G

A
Hinges & pivots

B30
Pulls & plates

C
Flush bolts & coordinators

D
Latches, catches & bolts

E
Stops

F
Exterior hardware

G
Miscellaneous hardware



8320 Plymouth offset solid door pull

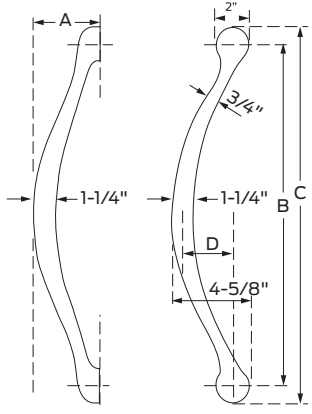
1-1/4" Max grip diameter
Available Sizes: 20"

Certifications

Meets ANSI A156.06

Mounting

- Heavy duty mounting hardware exceeds industry standards
- 3/8-16 mounting hardware
- Specify door thickness. Standard mounting hardware for door thickness of 1-1/2" to 1-3/4" unless otherwise specified. Accessory package available for 2" and 2-1/4" thick doors.
- Comes standard with through bolt screws and decorative washers.
- Optional mounting hardware available (see general information section for details) A, F, I, L, N, O, P, Q, X
- Mounting hardware for other door thicknesses are available as engineering special, consult customer service.



Product number	Projection "A"	Clearance	Offset "D"	Center to center "B"	Overall length "C"
8320-20	3-7/8"	2-5/8"	2-7/8"	20"	22"

Material substrate

- Made from brass or stainless steel (304 Series)

Finishes

BHMA	Description	Substrate	Finish
605	Bright brass	Brass	US3
613	Oil rubbed bronze	Brass	US10B
619	Satin nickel	Brass	US15
625	Bright chrome	Brass	US26
626	Satin chrome	Brass	US26D
630	Satin stainless	Stainless steel	US32D
631	Matte black	Stainless steel	BLK

Note: For other colors, consult factory.

Additional information

- Specify PR when ordering a set of pulls for back to back mounting
- For one back to back machined pull, specify Nsgl or Psgl (glass doors)
- Custom lengths are available as engineering special, consult customer service.



8371 Addison flat tip straight solid door pull

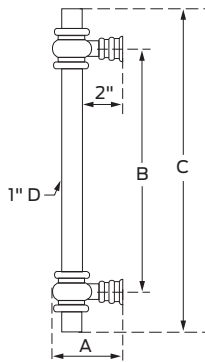
1" Round pull with 1-1/4" base mounting posts
Available sizes: 12", 18", 24"

Certifications

Meets ANSI A156.06

Mounting

- Heavy duty mounting hardware exceeds industry standards
- 3/8-16" mounting hardware
- Specify door thickness. Standard mounting hardware for door thickness of 1-1/2" to 1-3/4" unless otherwise specified. Accessory package available for 2" and 2-1/4" thick doors.
- Comes standard with through bolt screws and decorative washers.
- Optional mounting hardware available (see general information section for details) A, F, I, L, N, O, P, Q, X
- *Mounting hardware for other door thicknesses are available as engineering special, consult customer service.*



Product number	Projection "A"	Clearance	Center to center "B"	Overall length "C"
8371-2	3-7/16"	2"	12"	16"
8371-18	3-7/16"	2"	18"	22"
8371-24	3-7/16"	2"	24"	28"

Material substrate

- Made from solid brass

Finishes

BHMA	Description	Substrate	Finish
605	Bright brass	Brass	US3
613	Oil rubbed bronze	Brass	US10B
619	Satin nickel	Brass	US15
622	Matte black	Brass	BLK
625	Bright chrome	Brass	US26
626	Satin chrome	Brass	US26D

Note: For other colors, consult factory.

Additional information

- Specify PR when ordering a set of pulls for back to back mounting
- For one back to back machined pull, specify Nsgl or Psgl (glass doors)
- *Custom lengths are available as engineering special, consult customer service.*

A
Hinges & pivots

B31
Pulls & plates

C
Flush bolts & coordinators

D
Latches, catches & bolts

E
Stops

F
Exterior hardware

G
Miscellaneous hardware

A
Hinges & pivots

B32
Pulls & plates

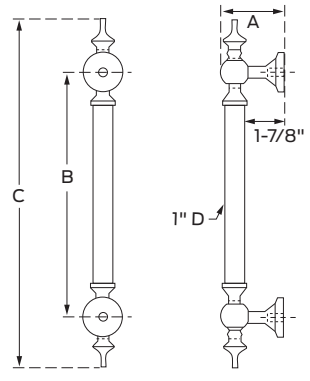
C
Flush bolts & coordinators

D
Latches, catches & bolts

E
Stops

F
Exterior hardware

G
Miscellaneous hardware



8372 Camelot steeple tip straight tubular door pull

1" Round pull with 2" base mounting posts
Available sizes: 12", 18", 24"

Certifications

Meets ANSI A156.06

Mounting

- Heavy duty mounting hardware exceeds industry standards
- 5/16-18 mounting hardware
- Specify door thickness. Standard mounting hardware for door thickness of 1-1/2" to 1-3/4" unless otherwise specified. Accessory package available for 2" and 2-1/4" thick doors.
- Comes standard with through bolt screws and decorative washers.
- Optional mounting hardware available (see general information section for details) F, I, J, L, O, P
- Mounting hardware for other door thicknesses are available as engineering special, consult customer service.

Product number	Projection "A"	Clearance	Center to center "B"	Overall length "C"
8372-2	2-7/8"	1-7/8"	12"	17"
8372-18	2-7/8"	1-7/8"	18"	23"
8372-24	2-7/8"	1-7/8"	24"	29"

Material substrate

- Made from brass

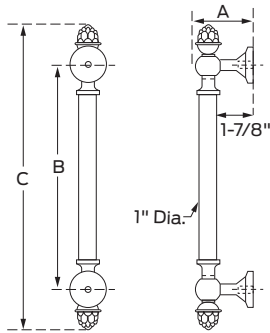
Finishes

BHMA	Description	Substrate	Finish
605	Bright brass	Brass	US3
613	Oil rubbed bronze	Brass	US10B
619	Satin nickel	Brass	US15
622	Matte black	Brass	BLK
625	Bright chrome	Brass	US26
626	Satin chrome	Brass	US26D

Note: For other colors, consult factory.

Additional information

- Specify PR when ordering a set of pulls for back to back mounting
- For one back to back machined pull, specify Jsgl
- Custom lengths are available as engineering special, consult customer service.



8373 Brookshire acorn tip straight tubular door pull

1" Round pull with 2" base mounting posts
Available sizes: 12", 18", 24"

Certifications

Meets ANSI A156.06

Mounting

- Heavy duty mounting hardware exceeds industry standards
- 5/16-18 mounting hardware
- Specify door thickness. Standard mounting hardware for door thickness of 1-1/2" to 1-3/4" unless otherwise specified. Accessory package available for 2" and 2-1/4" thick doors.
- Comes standard with through bolt screws and decorative washers.
- Optional mounting hardware available (see general information section for details) F, I, J, L, O, P
- *Mounting hardware for other door thicknesses are available as engineering special, consult customer service.*

Product number	Projection "A"	Clearance	Center to center "B"	Overall length "C"
8372-2	3"	1-7/8"	12"	16-5/16"
8372-18	3"	1-7/8"	18"	22-5/16"
8372-24	3"	1-7/8"	24"	28-5/16"

Material substrate

- Made from brass

Finishes

BHMA	Description	Substrate	Finish
605	Bright brass	Brass	US3
613	Oil rubbed bronze	Brass	US10B
619	Satin nickel	Brass	US15
622	Matte black	Brass	BLK
625	Bright chrome	Brass	US26
626	Satin chrome	Brass	US26D

Note: For other colors, consult factory.

Additional information

- Specify PR when ordering a set of pulls for back to back mounting
- For one back to back machined pull, specify Jsgl
- *Custom lengths are available as engineering special, consult customer service.*

A
Hinges & pivots

B33
Pulls & plates

C
Flush bolts & coordinators

D
Latches, catches & bolts

E
Stops

F
Exterior hardware

G
Miscellaneous hardware

A
Hinges & pivots

B34
Pulls & plates

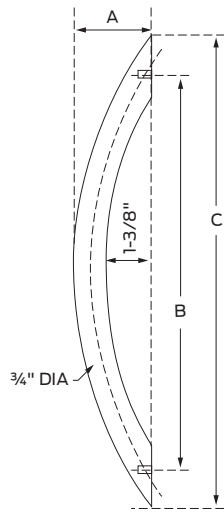
C
Flush bolts & coordinators

D
Latches, catches & bolts

E
Stops

F
Exterior hardware

G
Miscellaneous hardware



8700 Greenwich arc straight solid door pull

3/4" Round pull
Available sizes: 9", 12", 18", 24"

Certifications

Meets ANSI A156.06

Mounting

- 1/4-20 mounting hardware
- Specify door thickness. Standard mounting hardware for door thickness of 1-1/2" to 1-3/4" unless otherwise specified. Accessory package available for 2" and 2-1/4" thick doors.
- Comes standard with through bolt screws and decorative washers.
- Optional mounting hardware available (see general information section for details) F, I, J, L, O, P
- Mounting hardware for other door thicknesses are available as engineering special, consult customer service.

Product number	Projection "A"	Clearance	Center to center "B"	Overall length "C"
8700-9	2-3/8"	1-5/8"	9"	12-9/16"
8700-2	2-3/8"	1-5/8"	12"	15-9/16"
8700-18	2-3/8"	1-5/8"	18"	21-9/16"
8700-24	2-3/8"	1-5/8"	24"	27-9/16"

Material substrate

- Made from solid brass or stainless steel (304 Series)

Finishes

BHMA	Description	Substrate	Finish
605	Bright brass	Brass	US3
613	Oil rubbed bronze	Brass	US10B
619	Satin nickel	Brass	US15
625	Bright chrome	Brass	US26
626	Satin chrome	Brass	US26D
630	Satin stainless	Stainless steel	US32D
631	Matte black	Stainless steel	BLK

Note: For other colors, consult factory.

Additional information

- Specify PR when ordering a set of pulls for back to back mounting
- For one back to back machined pull, specify Jsgl
- Custom lengths are available as engineering special, consult customer service.



8800 Greenwich arc offset solid door pull

3/4" Round pull
Available sizes: 9", 12", 18", 24"

Certifications

Meets ANSI A156.06

Mounting

- 1/4-20 mounting hardware
- Specify door thickness. Standard mounting hardware for door thickness of 1-1/2" to 1-3/4" unless otherwise specified. Accessory package available for 2" and 2-1/4" thick doors.
- Comes standard with through bolt screws and decorative washers.
- Optional mounting hardware available (see general information section for details) F, I, J, L, O, P
- *Mounting hardware for other door thicknesses are available as engineering special, consult customer service.*

Product number	Projection "A"	Clearance	Offset "D"	Center to center "B"	Overall length "C"
8800-9	2-1/8"	1-3/8"	1"	9"	11-3/4"
8800-2	2-1/8"	1-3/8"	1"	12"	14-3/4"
8800-18	2-1/8"	1-3/8"	1"	18"	20-3/4"
8800-24	2-1/8"	1-3/8"	1"	24"	26-3/4"

Material substrate

- Made from solid brass or stainless steel (304 Series)

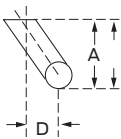
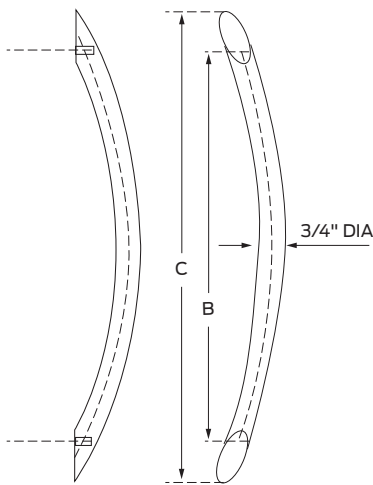
Finishes

BHMA	Description	Substrate	Finish
605	Bright brass	Brass	US3
613	Oil rubbed bronze	Brass	US10B
619	Satin nickel	Brass	US15
625	Bright chrome	Brass	US26
626	Satin chrome	Brass	US26D
630	Satin stainless	Stainless steel	US32D
631	Matte black	Stainless steel	BLK

Note: For other colors, consult factory.

Additional information

- Specify PR when ordering a set of pulls for back to back mounting
- For one back to back machined pull, specify Jsgl
- *Custom lengths are available as engineering special, consult customer service.*



Hinges & pivots
A

Pulls & plates
B35

Flush bolts & coordinators
C

Latches, catches & bolts
D

Stops
E

Exterior hardware
F

Miscellaneous hardware
G



8848 Latitude straight solid door pull

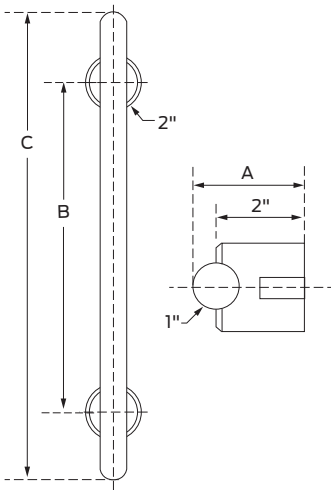
1" Round pull with 2" Round black mounting posts
 Available sizes: 12"

Certifications

Meets ANSI A156.06

Mounting

- Heavy duty mounting hardware exceeds industry standards
- 3/8-16 mounting hardware
- Specify door thickness. Standard mounting hardware for door thickness of 1-1/2" to 1-3/4" unless otherwise specified. Accessory package available for 2" and 2-1/4" thick doors.
- Comes standard with through bolt screws and decorative washers.
- Optional mounting hardware available (see general information section for details) A, F, I, L, N, O, P, Q, X
- Mounting hardware for other door thicknesses are available as engineering special, consult customer service.



Product number	Projection "A"	Clearance	Center to center "B"	Overall length "C"
8848-2	2-1/2"	1-1/2"	12"	17"

Material substrate

- Made from solid brass or stainless steel (304 Series)

Finishes

BHMA	Description	Substrate	Finish
605	Bright brass	Brass	US3
613	Oil rubbed bronze	Brass	US10B
619	Satin nickel	Brass	US15
625	Bright chrome	Brass	US26
626	Satin chrome	Brass	US26D
630	Satin stainless	Stainless steel	US32D
631	Matte black	Stainless steel	BLK

Note: For other colors, consult factory.

Additional information

- Specify PR when ordering a set of pulls for back to back mounting
- For one back to back machined pull, specify Nsgl or Psgl (glass doors)
- Custom lengths are available as engineering special, consult customer service.



8975 Rhodes straight solid door pull

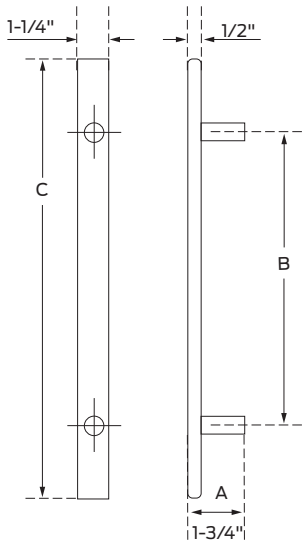
1-1/4" X 1/2" Flat pull with 3/4" round mounting posts
Available sizes: 12"

Certifications

Meets ANSI A156.06

Mounting

- Heavy duty mounting hardware exceeds industry standards
- 5/16-18 mounting hardware
- Specify door thickness. Standard mounting hardware for door thickness of 1-1/2" to 1-3/4" unless otherwise specified. Accessory package available for 2" and 2-1/4" thick doors
- Comes standard with through bolt screws and decorative washers.
- Optional mounting hardware available (see general information section for details) F, I, J, L, O, P
- *Mounting hardware for other door thicknesses are available as engineering special, consult customer service.*



Product number	Projection "A"	Clearance	Center to center "B"	Overall length "C"
8975-2	2-1/4"	1-3/4"	12"	18"

Material substrate

- Made from solid aluminum, brass or stainless steel (304 Series)

Finishes

BHMA	Description	Substrate	Finish
628	Clear anodized	Aluminum	US28

Note: For other colors, consult factory.

Additional information

- Specify PR when ordering a set of pulls for back to back mounting
- For one back to back machined pull, specify Jsgl (glass doors)
- *Custom lengths are available as engineering special, consult customer service.*

A
Hinges & pivots

B37
Pulls & plates

C
Flush bolts & coordinators

D
Latches, catches & bolts

E
Stops

F
Exterior hardware

G
Miscellaneous hardware

IVES® Long door pulls

PR9264F 72-56 US32D P 1/2"

How to order:

	Single/Pair	Model	Length	Center to center	Finish	Mounting	Door thickness
	PR	9264F	72	56	US32D	P	1/2"
Single/Pair							
"Blank"	Single pull machined with standard threads						
PR	Pair of pulls - One pull machined with standard threads and one pull machined for back to back mounting						
Nsgl	Single pull machined for back to back mounting						
Qsgl	Single pull machined for back to back mounting (glass doors)						
Model							
9264	Offset long door pull, rounded tips						
9264F	Offset long door pull, flat tips						
9266	Straight long door pull, rounded tips						
9266F	Straight long door pull, flat tips						
Length							
12	12"						
18	18"						
24	24"						
36	36"						
72	72"						
Center to Center							
8	8"						
12	12"						
18	18"						
20	20"						
56	56"						
Finish							
605	Buff Brass			US3			
606	Satin Brass			US4			
613	Antique Bronze			US10B			
619	Satin Nickel			US15			
629-316	Buff Stainless - 316 Substrate			US32D-316			
630-316	Satin Stainless - 316 Substrate			US32D-316			
643e/716	Aged Bronze			---			
BLK	Matte black			---			
Mounting hardware							
STD	Through bolt with decorative washer						
A	Concealed mount - aluminum doors						
I	Concealed mount - wood doors						
L	Concealed mount - hollow metal doors						
N	Back to back mount						
O	Decorative through bolt						
P	Back to back mount - glass doors						
Q	Decorative through bolt - glass doors						
X	Through bolt - security screw and decorative washer						
MB	Additional mounting bracket (centered)						
Door thickness							
1-3/4"	Standard						
2"	Optional						
2-1/4"	Optional						

9264 Offset long door pull, rounded tip
9266 Straight long door pull, rounded tip

- 1-1/4" Diameter tubular bar
- Round tip is standard
- Optional flat Tip (F) is available. Specify F after model number when ordering.
- Available in whole 1" increments from 12" to 96"
- *Other lengths available as engineering special, consult customer service.*

Certifications

- Meets ANSI A156.06

Mounting

- Heavy duty mounting hardware exceeds industry standards
- 3/8-16 mounting hardware
- Specify door thickness. Standard mounting hardware for door thickness of 1-1/2" to 1-3/4" unless otherwise specified. Optional package available for 2" and 2-1/4" thick doors.
- Comes standard with through bolt screws and decorative washers.
- Optional mounting hardware available (see general information section for details) A, I, L, N, O, P, Q, X
- *Mounting hardware for other door thicknesses are available as engineering special, consult customer service.*

Standard lengths

Product number	Projection	Clearance	Offset	Overall Length	CTC
9264-72-56	2-3/4"	1-1/2"	1 5/8"	72"	56"
9264-36-20	2-3/4"	1-1/2"	1 5/8"	36"	20"
9264-24-18	2-3/4"	1-1/2"	1 5/8"	24"	18"
9264-18-12	2-3/4"	1-1/2"	1 5/8"	18"	12"
9264-12-8	2-3/4"	1-1/2"	1 5/8"	12"	8"
9266-72-56	2-3/4"	1-1/2"	—	72"	56"
9266-36-20	2-3/4"	1-1/2"	—	36"	20"
9266-24-18	2-3/4"	1-1/2"	—	24"	18"
9266-18-12	2-3/4"	1-1/2"	—	18"	12"
9266-12-8	2-3/4"	1-1/2"	—	12"	8"

Material substrate

- Made from brass or stainless steel (316 Series)
- 316 Series Stainless Steel standard, exceeding industry standards for corrosion resistance
- Recommended for external applications

Finishes

BHMA	Description	Substrate	Finish
605	Bright brass	Brass	US3
606	Satin brass	Brass	US4
613	Oil rubbed bronze	Brass	US10B
619	Satin nickel	Stainless Steel	US15
629-316	Bright stainless	Stainless steel	32-316
630-316	Satin stainless	Stainless steel	32D-316
630-AM	Satin stainless anti-microbial	Stainless steel	US32D-AM
631	Matte black	Stainless steel	BLK
643e/716*	Aged bronze	Stainless steel	643e/716

Note: For other colors, consult factory.

* Max length for 643e/716 is 36".

Additional information

- If not specified, standard center to center length for pulls 36" or longer is 16" less than total pull length (8" from each end of the pull). Center to center length must be specified for lengths less than 36".
 - Ex. 72" Long pull has a 56" Center to Center
- If the center to center length is less than half the total pull length, consult customer service.
- Specify PR when ordering a set of push bars for back to back mounting
- For one back to back machined push bar, specify Nsgl or Psgl (glass doors)
- *Additional mounting post required for lengths greater than 96". Mid posts are optional for other lengths. Specify mid post location when ordering.*

Caution

- Recommend the length of the ladder pull should not exceed 4" less than the door height



9266 Straight long door pull



9264 Offset bracket



Round tip (Standard)



Flat tip (F Option)

Note: A middle position bracket is required for pulls over 8 feet.



Ives hands-free door pulls allow for hands-free operation to promote a healthy environment. Ives offers pulls in a variety of styles and designs that enable pedestrians to operate the door with an arm, elbow or wrist to avoid contacting surfaces with their hands.

- Durable construction with stainless steel and rust-free brass for longevity
- Cost effective option is budget friendly
- Easily retrofittable for existing openings
- Aesthetically pleasing designs to suite with building style

FP101 Hands-Free Foot Pull

- Sanitary foot opening
- Use alongside current pull for hands-free needs

Size

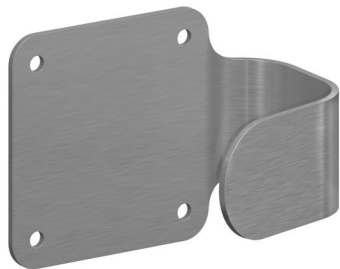
5" wide, 2-3/4" height, 3-1/8" projection

Material Substrate

- Rugged 1/8" thick stainless steel

Mounting

- Through-bolts provided for secure mounting and durability



AP101 Hands-Free Arm Pull

- Easy forearm opening
- Use alongside current pull for hands-free needs

Size

4" wide, 5-1/8" height, 3-7/8" projection

Material Substrate

- Rugged 1/8" thick stainless steel

Mounting

- Through-bolts provided for secure mounting and durability

Finishes for the Arm and Foot Pull

BHMA	Description	Substrate	Finish
630	Satin Stainless Steel	Stainless Steel	US32D
695	Dark Bronze Painted	Stainless Steel	US10BE
631	Black Painted	Stainless Steel	BLK



OTP300 Plastic Opening Hand Tool

OT300 Steel Opening Hand Tool

For hands-free use with door pulls or levers

Size

- 2" width, 5" height

Material Substrate

- OTP300 is a durable black plastic tool offered in packs of 10
- OT300 is study 1/8" stainless steel with smooth tumbled edges



Finishes for the OT300

BHMA	Description	Substrate	Finish
630	Satin Stainless Steel	Stainless Steel	US32D
631	Black Painted	Stainless Steel	BLK

How to order:

PR8303-8 US32D 4X16 N 1-3/4"

	Single/Pair	Model	Center to center	Finish	Plate W X H	Mounting	Door thickness
	PR	8303	8	US32D	4 X 16	N	1-3/4"
Single/Pair							
"Blank"	Single pull machined with standard threads						
PR	Pair of pulls and plates - One pull machined with standard threads and one pull machined for back to back mounting						
Nsgl	Single pull machined for back to back mounting						
Model							
8200	Push Plate						
8300	Pull plate (less pull)						
8302	Pull plate (with 8102 pull)						
8303	Pull plate (with 8103 pull)						
8305	Pull plate (with 8105 pull)						
8311	Pull plate (with 8111 pull)						
Pull center to center							
5	5-1/4" (8111 only)						
6	6" (8102HD and 8105 only)						
8	8" (8102HD, 8103HD, 8105 only)						
0	10" (8102HD, 8103HD, 8105 only)						
2	12" (8103HD only)						
Finish							
605	Buff Brass	US3					
606	Satin Brass	US4					
612	Satin Bronze	US10					
613	Antique Bronze	US10B					
619	Satin Nickel	US15					
625	Buff Chrome	US26					
626	Satin Chrome	US26D					
626-AM	Satin Chrome - Anti-Microbial	US260-AM					
628	Satin Clear Anodized	US28					
629	Buff Stainless	US32D					
630	Satin Stainless	US32D					
630-AM	Satin Stainless - Anti-Microbial	US32D-AM					
643e/716	Aged Bronze	---					
BLK	Matte black	---					
Plate width x height							
3X12	3" Wide X 12" High						
3.5X15	3-1/2" Wide X 15" High						
4X16	4" Wide X 16" High						
6X16	6" Wide X 16" High						
8X16	8" Wide X 16" High						
Mounting hardware							
STD	Through bolt with decorative washer						
A	Concealed mount - aluminum doors						
F	Through bolt with countersunk hole						
G	Concealed mount with pull plates						
I	Concealed mount - wood doors						
J	Back to back mount (8102 only)						
L	Concealed mount - hollow metal doors						
N	Back to back mount						
Door thickness							
1-3/4"	Standard						
2"	Optional						
2-1/4"	Optional						

Hinges & pivots

Pulls & plates

Flush bolts & coordinators

Latches, catches & bolts

Stops

Exterior hardware

Miscellaneous hardware



8200 Push plate

8300 Pull plate, prep for pull (less pull)

- Plates are available in .050 thick brass, stainless steel or aluminum

Certifications

- Meets ANSI A156.6 for J301 Materials

Mounting

- Standard mounting package
 - #6X5/8 oval head screws
- Optional TEK/TORX package
 - #6X5/8 Self-drilling, Self-tapping screws
 - #6X5/8 Torx screws

Widths and heights

- 3" X 12"
- 3-1/2" X 15"
- 4" X 16"
- 6" X 16"
- 8" X 16"

Optional pull center to center spacing

- For 8300 pull plates, plates are prepped with 2 3/8" holes for pull machining
- For holes prepped for G mounting hardware, consult customer service.
 - 5-1/4"
 - 6"
 - 8"
 - 10"
 - 12"

Material substrate

- Made from aluminum, brass, or stainless steel (300 Series)

Finishes

BHMA	Description	Substrate	Finish
605	Bright brass	Brass	US3
606	Satin brass	Brass	US4
612	Satin bronze	Brass	US10
613	Oil rubbed bronze	Brass	US10B
619	Satin nickel	Brass	US15
625	Bright chrome	Brass	US26
626	Satin chrome	Brass	US26D
626-AM	Satin chrome anti-microbial	Brass	US26D-AM
628	Clear anodized	Aluminum	US28
630	Satin stainless	Stainless steel	US32D
630-AM	Satin stainless anti-microbial	Stainless steel	US32D-AM
631	Matte black	Stainless steel	BLK

Note: For other colors, consult factory.

Additional information

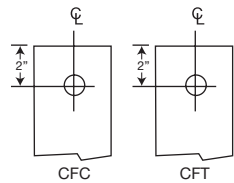
- Specify PR when ordering a set of plates for back to back mounting
- Custom widths, heights, and special cut-outs are available as engineering special, consult customer service.

Plates cut for cylinder or thumbturns

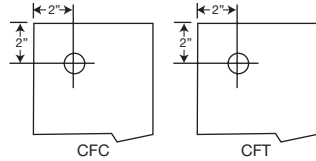
Plates are available with cutout for cylinder or thumbturn; standard cutout is 2" from top and centered on plates up to 4" wide. For plates wider than 4" cutout is located 2" from outer edge, specify LH or RH. When pull location interferes with standard cutout location a detail drawing should be furnished with the order.

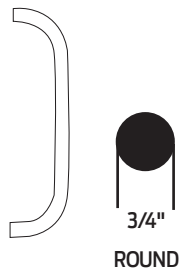
- Standard cutout is 1-1/4" for cylinder and 3/8" for thumbturn.
- Specify CFC for cutout for cylinder or CFT for cutout for thumbturn.

For plates up to 4"



For plates greater than 4" (RH shown)





8302 Pull plate

Certifications

- Meets ANSI A156.06

Mounting

- Heavy duty mounting hardware exceeds industry standards
- 5/16-18 mounting hardware
- Specify door thickness. Standard mounting hardware for door thickness of 1-1/2" to 1-3/4" unless otherwise specified. Optional package available for 2" and 2-1/4" thick doors.
- Comes standard with through bolt screws and decorative washers.
- Optional mounting hardware available (see general information section for details) F, G, I, J, L
- Mounting hardware for other door thicknesses are available as engineering special, consult customer service.
- Standard mounting package for plate
 - #6 X 5/8 oval head screws
- Optional TEK/TORX package
 - #6 X 5/8 Self-drilling, Self-tapping screws and
 - #6 X 5/8 Torx screws
- Plate prepped with 2 pull mounting holes spaced at 6", 8", or 10" center to center

Widths and heights

- 3-1/2" X 15"
- 4" X 16"
- 6" X 16"

Pull center to center

- 6"
- 8"
- 10"

Material substrate

- Made from aluminum, brass, or stainless steel (300 Series)

Finishes

BHMA	Description	Substrate	Finish
605	Bright brass	Brass	US3
606	Satin brass	Brass	US4
612	Satin bronze	Brass	US10
613	Oil rubbed bronze	Brass	US10B
619	Satin nickel	Brass	US15
625	Bright chrome	Brass	US26
626	Satin chrome	Brass	US26D
626-AM	Satin chrome anti-microbial	Brass	US26D-AM
628	Clear anodized	Aluminum	US28
630	Satin stainless	Stainless steel	US32D
630-AM	Satin stainless anti-microbial	Stainless steel	US32D-AM
631	Matte black	Stainless steel	BLK
643e/716	Aged bronze	Stainless steel	643e/716

Note: For other colors, consult factory.

Additional information

- Specify PR when ordering a set of pulls for back to back mounting
- Plate to pull clearance is 1 1/2"
- For one back to back machined pull, specify Jsgl
- Custom widths, heights, and special cut-outs are available as engineering special, consult customer service.



8303 Pull plate

Certifications

- Meets ANSI A156.06

Mounting

- Heavy duty mounting hardware exceeds industry standards
- 3/8-16 mounting hardware
- Specify door thickness. Standard mounting hardware for door thickness of 1-1/2" to 1-3/4" unless otherwise specified. Optional package available for 2" and 2-1/4" thick doors.
- Comes standard with through bolt screws and decorative washers.
- Optional mounting hardware available (see general information section for details) A, F, G, I, L, N
- Mounting hardware for other door thicknesses are available as engineering special, consult customer service.
- Standard mounting package for plate
 - #6 X 5/8 oval head screws
- Optional TEK/TORX package
 - #6 X 5/8 Self-drilling, Self-tapping screws and
 - #6 X 5/8 Torx screws
- Plate prepped with 2 pull mounting holes spaced at 8" or 10" center to center

Widths and heights

- 3-1/2" X 15"
- 4" X 16"
- 6" X 16"

Pull center to center

- 8"
- 10"

Material substrate

- Made from aluminum, brass, or stainless steel (300 Series)

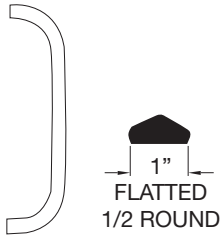
Finishes

BHMA	Description	Substrate	Finish
605	Bright brass	Brass	US3
606	Satin brass	Brass	US4
612	Satin bronze	Brass	US10
613	Oil rubbed bronze	Brass	US10B
619	Satin nickel	Brass	US15
625	Bright chrome	Brass	US26
626	Satin chrome	Brass	US26D
626-AM	Satin chrome anti-microbial	Brass	US26D-AM
628	Clear anodized	Aluminum	US28
630	Satin stainless	Stainless steel	US32D
630-AM	Satin stainless anti-microbial	Stainless steel	US32D-AM
631	Matte black	Stainless steel	BLK
643e/716	Aged bronze	Stainless steel	643e/716

Note: For other colors, consult factory.

Additional information

- Specify PR when ordering a set of pulls for back to back mounting
- Plate to pull clearance is 1 1/2"
- For one back to back machined pull, specify Nsgl
- Custom widths, heights, and special cut-outs are available as engineering special, consult customer service.



8305 Pull plate

Certifications

- Meets ANSI A156.06

Mounting

- 1/4-20 mounting hardware
- Specify door thickness. Standard mounting hardware for door thickness of 1-1/2" to 1-3/4" unless otherwise specified. Optional package available for 2" and 2-1/4" thick doors.
- Comes standard with through bolt screws and decorative washers.
- Optional mounting hardware available (see general information section for details)
- Mounting hardware for other door thicknesses are available as engineering special, consult customer service.
- Standard mounting package for plate
 - #6 X 5/8 oval head screws
- Optional TEK/TORX package
 - #6 X 5/8 Self-drilling, Self-tapping screws and
 - #6 X 5/8 Torx screws
- Plate prepped with 2 pull mounting holes spaced at 6", 8", or 10" center to center

Widths and heights

- 3-1/2" X 15"
- 4" X 16"
- 6" X 16"

Pull center to center

- 6"
- 8"
- 10"

Material substrate

- Made from aluminum, brass, or stainless steel (300 Series)

Finishes

BHMA	Description	Substrate	Finish
605	Bright brass	Brass	US3
606	Satin brass	Brass	US4
612	Satin bronze	Brass	US10
613	Oil rubbed bronze	Brass	US10B
619	Satin nickel	Brass	US15
625	Bright chrome	Brass	US26
626	Satin chrome	Brass	US26D
626-AM	Satin chrome anti-microbial	Brass	US26D-AM
628	Clear anodized	Aluminum	US28
630	Satin stainless	Stainless steel	US32D
630-AM	Satin stainless anti-microbial	Stainless steel	US32D-AM
631	Matte black	Stainless steel	BLK
643e/716	Aged bronze	Stainless steel	643e/716

Note: For other colors, consult factory.

Additional information

- Plate to pull clearance is 1 1/2"
- Custom widths, heights, and special cut-outs are available as engineering special, consult customer service.

A
Hinges & pivots

B4/5
Pulls & plates

C
Flush bolts & coordinators

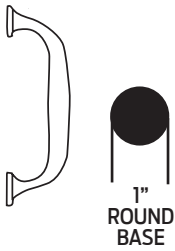
D
Latches, catches & bolts

E
Stops

F
Exterior hardware

G
Miscellaneous hardware

A	Hinges & pivots
B46	Pulls & plates
C	Flush bolts & coordinators
D	Latches, catches & bolts
E	Stops
F	Exterior hardware
G	Miscellaneous hardware



8311 Pull plate

Certifications

- Meets ANSI A156.06

Mounting

- 1/4-20 mounting hardware
- Specify door thickness. Standard mounting hardware for door thickness of 1-1/2" to 1-3/4" unless otherwise specified. Optional package available for 2" and 2-1/4" thick doors.
- Comes standard with through bolt screws and decorative washers.
- Optional mounting hardware available (see general information section for details) F, G
- Mounting hardware for other door thicknesses are available as engineering special, consult customer service.
- Standard mounting package for plate
 - #6 X 5/8 oval head screws
- Optional TEK/TORX package
 - #6 X 5/8 Self-drilling, Self-tapping screws and
 - #6 X 5/8 Torx screws
- Plate prepped with 2 pull mounting holes spaced at 5-1/4" center to center

Widths and heights

- 3-1/2" X 15"
- 4" X 16"
- 6" X 16"

Pull center to center

- 5-1/4"

Material substrate

- Made from aluminum, brass, or stainless steel (300 Series)

Finishes

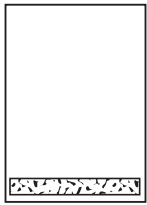
BHMA	Description	Substrate	Finish
605	Bright brass	Brass	US3
606	Satin brass	Brass	US4
612	Satin bronze	Brass	US10
613	Oil rubbed bronze	Brass	US10B
619	Satin nickel	Brass	US15
625	Bright chrome	Brass	US26
626	Satin chrome	Brass	US26D
626-AM	Satin chrome anti-microbial	Brass	US26D-AM
628	Clear anodized	Aluminum	US28
630	Satin stainless	Stainless steel	US32D
630-AM	Satin stainless anti-microbial	Stainless steel	US32D-AM
631	Matte black	Stainless steel	BLK
643e/716	Aged bronze	Stainless steel	643e/716

Note: For other colors, consult factory.

Additional information

- Specify PR when ordering a set of pulls for back to back mounting
- Custom widths, heights, and special cut-outs are available as engineering special, consult customer service.

Types of protection plates



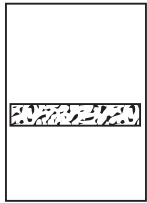
Mop plates

- Protect the bottom of the pull side of door subject to cleaning and mopping procedures.
- Size Ranges: 4" to 6" high, 22" to 48" wide



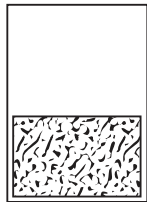
Kick plates

- Protect the bottom of the push side of doors subject to scuffing from foot traffic.
- Recommended for all doors subject to normal use (especially doors using a closer).
- Size Ranges: 8" to 24" high, 22" to 48" wide



Stretcher plates

- Protect doors at specific areas where consistent contact is made by stretchers, service carts or other equipment.
- Usually applied to push side of doors.
- Specify "B4E" Option for beveled edges.
- Size Ranges: 6" to 8" high, 22" to 48" wide



Armor plates

- Protect lower half of doors from abuse by hard carts, trucks and rough usage.
- Usually applied to push side of single doors and both sides of double acting doors.
- Size Ranges: 26" to 48" high, 22" to 48" wide

A
Hinges & pivots

B47
Pulls & plates

C
Flush bolts & coordinators

D
Latches, catches & bolts

E
Stops

F
Exterior hardware

G
Miscellaneous hardware

A
Hinges & pivots

B48
Pulls & plates

C
Flush bolts & coordinators

D
Latches, catches & bolts

E
Stops

F
Exterior hardware

G
Miscellaneous hardware

8400 Commercial protection plates
8402 UL Commercial protection plates

- Door protection plates are available in .050" thick brass, stainless steel or aluminum; and 1/8" thick high impact polyethylene in clear or black.
- All plates, metal and plastic, come standard with four beveled edges and countersunk mounting holes (B-CS).
- Protection plates must be ordered in 1/2" increments. Available in other sizes, consult customer service
- For 8402 UL Plates, UL mark appears in upper left corner. Not available on plastic protection plates. Special cutouts are not allowed on UL kick plates.

Certifications

- Meets ANSI A156.6 for J301
- UL protection plates certified to UL10C

Mounting

- Standard mounting package, 16 per pack
 - #6 X 5/8 oval head screws
- Optional TEK/TORX package, specify TK-TX
 - #6 X 5/8 Self-drilling, Self-tapping screws
 - #6 X 5/8 Torx screws

Finishes

- Aluminum 5005 Series, Brass C26800 Series, Stainless Steel 300 Series, Plastic

BHMA	Description	Substrate	Finish	Max sizes
605	Bright Brass	Brass	US3	24"X48"
606	Satin Brass	Brass	US4	24"X48"
612	Satin Bronze	Brass	US10	24"X48"
613	Oil Rubbed Bronze	Brass	US10B	36"X48"
619	Satin Nickel	Stainless	US15	24"X48"
625	Bright Chrome	Stainless	US26	36"X48"
626	Satin Chrome	Stainless	US26D	48"X48"
628	Satin Aluminium	Aluminium	US28	48"X48"
629	Bright Stainless Steel	Stainless Steel	US32	48"X48"
630	Satin Stainless Steel	Stainless Steel	US32D	48"X48"
654	Satin Stainless Steel	Stainless Steel	US32D	48"X48"
BLK	Matte Black	Stainless Steel	BLK	24"X48"
P-BLK	Black	Plastic	P-BLK	48"X48"
CLR	Clear	Plastic	CLR	48"X48"

Number of screw packs required by plate size (specify TEK Screws or TORK screws)

	22"-25"	26"-33"	34"-41"	42"-48"
4"-8"	1	1	1	1
9"-16"	1	1	1	1
17"-24"	1	1	1	2
25"-32"	1	1	2	2
33"-40"	1	2	2	2
41"-48"	2	2	2	2

- Custom finishes are available as engineering special, consult customer service.

Available options

- Specify B-NH for no mounting holes. (Not available on 8402. Available only with US32D, US32, US3, US4, US28, CLR, P-BLK only)
- Specify B-NHA for no mounting holes with adhesive.
- Specify ERS prepped with extra row of screws.
- Special Cut-outs are available as engineering special, consult customer service.

Available accessory

- Gasket tape kit tape is recommended when using a brass plate on a metal door to reduce tarnishing from electrolytic oxidation. One tape pack will cover an the perimeters of a 8" x 34" kickplate. Order 8401 gasket tape.



General information

Ives edge guards, designed to protect the edge of the door, can be used in both single or double acting door applications. They feature 21 types including beveled, non-beveled, bull nose, overlap and astragal. There are 10 standard cutout options, available in 0.050 material in stainless steel, brass or aluminum and can be used on 1 3/4", 2" or 2 1/4" thick doors. Available with stamped UL label for fire rated applications. Edge guard lengths have a range from 12" - 120" in 1/8" increments.

Use the Ives edge guard ordering guide to select the best edge guard model, UL, length, finish, and cutout option to fit your project needs.

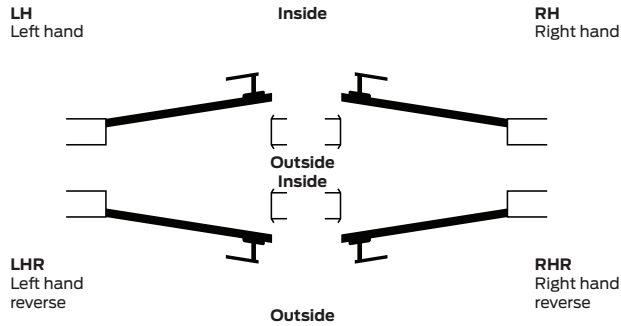
Visit how to order guide:

https://us.allegion.com/content/dam/allegion-us-2/web-documents-2/UserGuide/Ives_Edge_Guard_Ordering_User_Guide_113392.pdf

Handing, door standards and options

Handing

Consider the hand of door and frame: left hand, right hand, left hand reverse, right hand reverse.



Active or Inactive

If you are installing astragal type edge guards for double door applications, also consider if the door is:

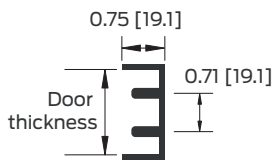
- Active: the most often used door, featuring locking hardware.
- Inactive: door that stays closed and is opened on occasion to create a larger entryway.

Door thickness

Ives edge guards can be used on standard 1 3/4" doors and are also available for 2" and 2 1/4" doors. Use the guide below to evaluate door thickness.

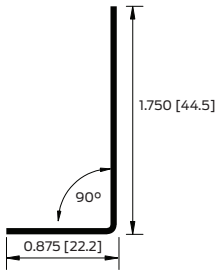
Edge mount standard

Edge guards are offered with standard mounting hole placement, as shown in the diagram.

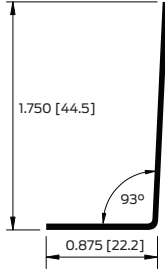


Mortise type

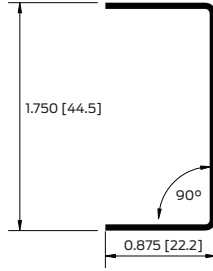
7300



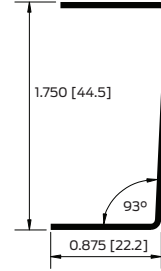
7301



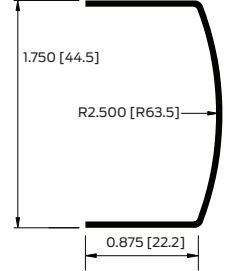
7302



7302B

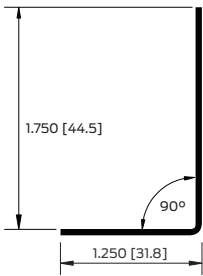


7303

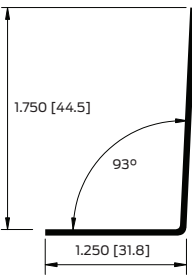


Non-mortise type

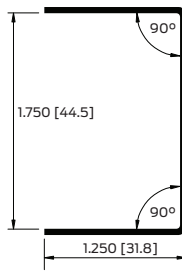
7304



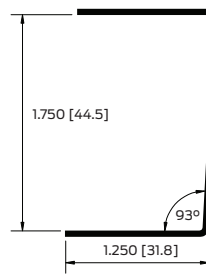
7305



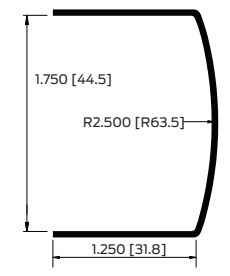
7306



7306B

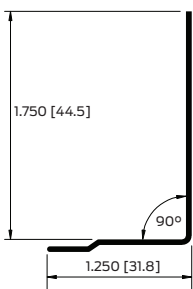


7307

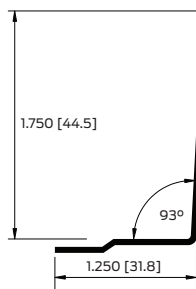


Overlapping type

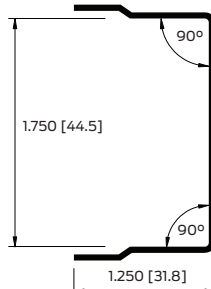
7308



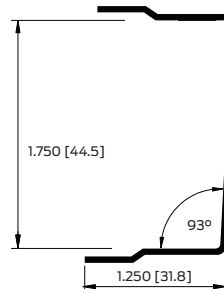
7309



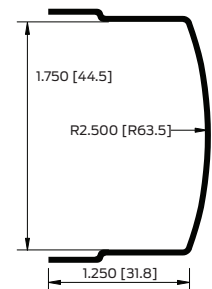
7310



7310B



7311



A
Hinges & pivots

B51
Pulls & plates

C
Flush bolts & coordinators

D
Latches, catches & bolts

E
Stops

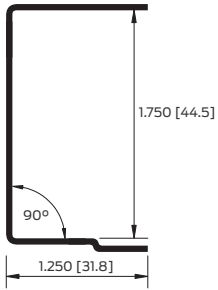
F
Exterior hardware

G
Miscellaneous hardware

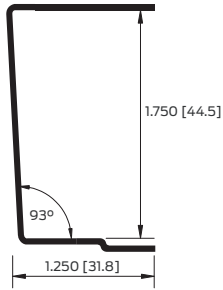
- A
Hinges & pivots
- B52
Pulls & plates
- C
Flush bolts & coordinators
- D
Latches, catches & bolts
- E
Stops
- F
Exterior hardware
- G
Miscellaneous hardware

Semi-overlap type

7310S

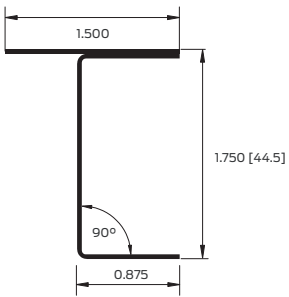


7310SB

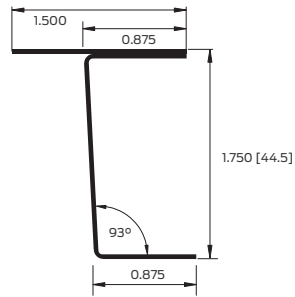


Astragal type*

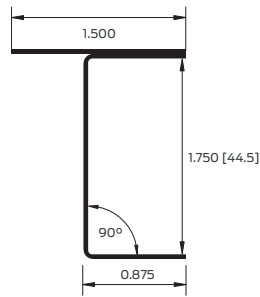
7302-A
(mortised)



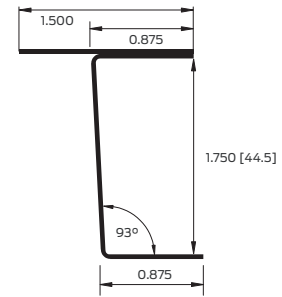
7302B-A
(mortised)



7306-A
(non-mortised)



7306B-A
(non-mortised)

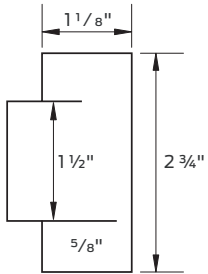


* Available in 629 and 630 finish only.

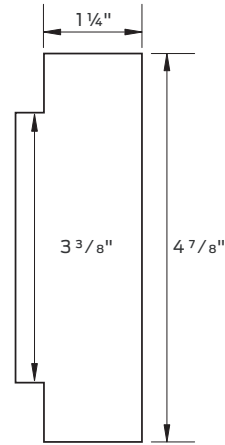
Standard cutouts

A total of 10 standard cutout options are available.

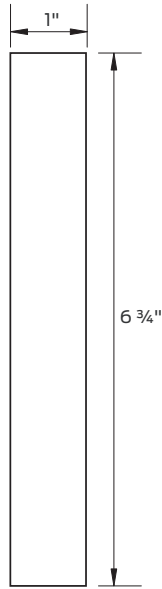
No. 1¹
Cylinder strike cutout



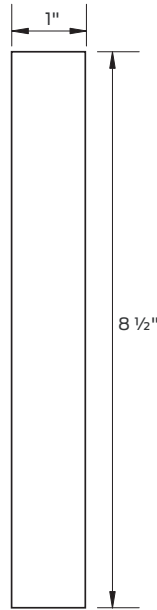
No. 2¹
ASA strike cutout



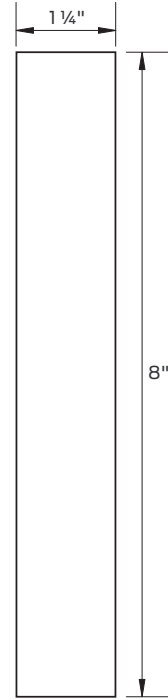
No. 3
Automatic and constant latching flush bolt cutout



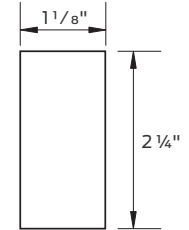
No. 4
Constant latch flush bolt-wood doors 1 x 8 1/2"



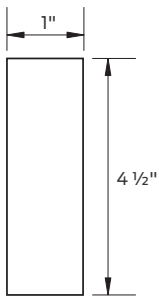
No. 5
Mortise lock cutout



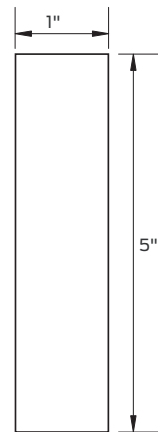
No. 6
Latch bolt cutout



No. 7
Hinge cutout



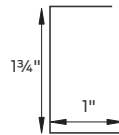
No. 8
Hinge cutout



No. 9²
Auxiliary fire latch inactive cutout

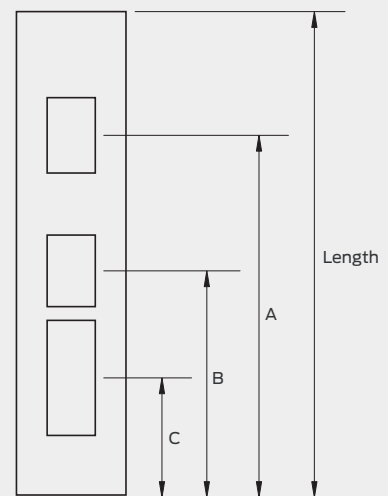


No. 10²
Auxiliary fire latch active cutout



Edge guard cutout diagram

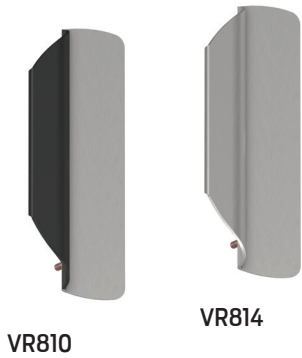
Measure bottom of edge guard to center line (CL) of cutout



A. Cutout option A
B. Cutout option B
C. Cutout option C

1. Provided center as standard. If offset pull or offset push is required call customer care.
2. Cutouts are measured 6" bottom to center line.

A	Hinges & pivots
B54	Pulls & plates
C	Flush bolts & coordinators
D	Latches, catches & bolts
E	Stops
F	Exterior hardware
G	Miscellaneous hardware



VR810-DT with black grip
VR814-DT without black grip

- Closed pull design eliminates a hooking point to be able to forcibly pull a secured door open
- Ligature resistant design
- For use with Falcon XX, 18 or 25 Series exit device
- Non-handed
- Pull operation only

Size

- 11 Gauge (0.120" thick)

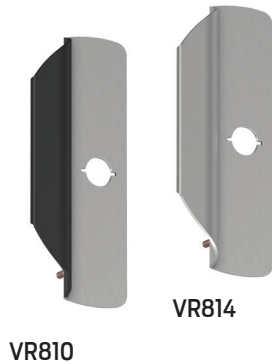
Mounting

- For door thickness 1-3/4-2-1/4". 10-24 X 1" and 10-24 X 1-1/2" mounting screw size.
- Can be mounted directly to Falcon XX, 18 and 25 exit devices
- Standard mounting - Welded studs fasten with pan head screws on opposite side of door
- Optional through bolt mounting - bolt through face of trim into device for added security

Product number	Width	Height	Through bolt pattern (4 holes)	Clearance grip to door	Projection
VR810DT	5-1/4"	11"	1-3/4" wide x 7-3/4" high	1-1/2"	1-7/8"

Finishes

- Available in Stainless Steel US32D
- 304 Series Stainless Steel standard, exceeding industry standards for corrosion resistance. Recommended for external applications
- Models are available with or without attractive black plastisol edge grip.
- *Custom finishes are available as engineering special, consult customer service.*



VR810-NL LHR with black grip
VR810-NL RHR with black grip
VR814-NL LHR without black grip
VR814-NL RHR without black grip

- Closed pull design eliminates a hooking point to be able to forcibly pull a secured door open
- Ligature resistant design
- For use with Falcon XX-V
- Through bolts direct to the exit device
- Night latch operation (cylinder not furnished)
- 1-5/8" cylinder hole cut-out on door, located 1-13/16 above horizontal center line and centered between mounting studs on vertical center line
- Designed for use with 1-1/4" cylinders. Other cylinders may require additional blocking rings, not supplied
- Supplied with protective cylinder collar. Collar spins to reduce damage from pipe wrench or other tool

Size

- 11 Gauge(0.120" thick)

Mounting

- For door thickness 1-3/4-2-1/4". 10-24 X 1" and 10-24 X 1-1/2" mounting screw size
- Can be mounted directly to Falcon XX-V5 exit devices
- Standard mounting - Welded studs fasten with pan head screws on opposite side of door
- Optional through bolt mounting - bolt through face of trim into device for added security

Product number	Width	Height	Through bolt pattern (4 holes)	Clearance grip to door	Projection
VR810NL	5-1/4"	11"	1-3/4" wide x 7-3/4" high	1-1/2"	1-7/8"

Finishes

- Available in Stainless steel US32D
- 304 Series Stainless steel standard, exceeding industry standards for corrosion resistance. Recommended for external applications
- Models are available with or without attractive black plastisol edge grip
- *Custom finishes are available as engineering special, consult customer service*

A Hinges & pivots

B55 Pulls & plates

C Flush bolts & coordinators

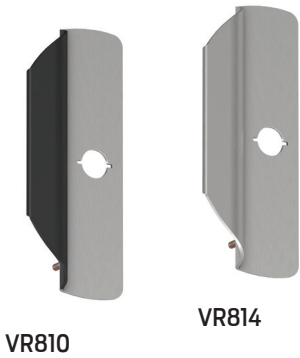
D Latches, catches & bolts

E Stops

F Exterior hardware

G Miscellaneous hardware

A	Hinges & pivots
B56	Pulls & plates
C	Flush bolts & coordinators
D	Latches, catches & bolts
E	Stops
F	Exterior hardware
G	Miscellaneous hardware



VR810-NL-V with black grip
VR814-NL-V without black grip

- Closed pull design eliminates a hooking point to be able to forcibly pull a secured door open
- Ligature resistant design
- For use with Falcon 25-R or 25-V Series exit devices
- Through bolts direct to the exit device
- Night latch operation (cylinder not furnished)
- Non-handed, horizontal keyway
- 1-5/8" cylinder hole cut-out, on door, located at the horizontal center line 3/16" off of vertical centerline between mounting studs towards the strike edge of the door
- Designed for use with 1-1/4" cylinders. Other cylinders may require additional blocking rings, not supplied
- Supplied with protective cylinder collar. Collar spins to reduce damage from pipe wrench or other tool

Size

- 11 Gauge(0.120" thick)

Mounting

- For door thickness 1-3/4"-2-1/4". 10-24 X 1" and 10-24 X 1-1/2" mounting screw size
- Can be mounted directly to Falcon 24-R or 25-V exit devices
- Standard mounting - Welded studs fasten with pan head screws on opposite side of door
- Optional through bolt mounting - bolt through face of trim into device for added security

Product number	Width	Height	Through bolt pattern (4 holes)	Clearance grip to door	Projection
VR810NL-V	5-1/4"	11"	1-3/4" wide x 7-3/4" high	1-1/2"	1-7/8"

Finishes

- Available in Stainless Steel US32D
- 304 Series Stainless Steel standard, exceeding industry standards for corrosion resistance. Recommended for external applications
- Models are available with or without attractive black plastisol edge grip
- *Custom finishes are available as engineering special, consult customer service*



VR900

VR904

- VR900 RHR with black grip
- VR900 LHR with black grip
- VR904 RHR without black grip
- VR904 LHR without black grip

- Closed pull design eliminates a hooking point to be able to forcibly pull a secured door open
- Ligature resistant design
- For use with most mortise locks on outswinging doors including Schlage L9000 Series with interior L or N escutcheon, and rose trim
- Built-in lock protector prevents tampering
- Handed design allows trim to be positioned to coordinate with the centerline of inside hardware
- 1-1/2" cylinder hole cut-out on door, located 2-7/32 above horizontal center line and 1/4" offset from vertical center line towards the hinge side of the door
- Designed for use with 1-1/4" cylinders. Other cylinders may require additional blocking rings, not supplied
- Supplied with protective cylinder collar. Collar spins to reduce damage from pipe wrench or other tool
- Additional cut-outs and locations are available as engineering special, consult customer service

Size

- 11 Gauge(0.120" thick)

Mounting

- For door thickness 1-3/4-2-1/4". 1/4-20 X 1-1/4" and 1/4-20 X 1-3/4" mounting screws with countersunk washers
- Can be mounted directly to Schlage L9000 Series
- Standard mounting - Welded studs fasten with pan head screws on opposite side of door
- Optional through bolt mounting - bolt through face of trim into device for added security

Width	Height	Through bolt pattern (4 holes)	Clearance grip to door	Projection
7-1/4"	11"	2" wide x 10" high	1-1/2"	1-7/8"

Finishes

- Available in Stainless Steel US32D
- 304 Series Stainless Steel standard, exceeding industry standards for corrosion resistance. Recommended for external applications
- Models are available with or without attractive black plastisol edge grip.
- *Custom finishes are available as engineering special, consult customer service.*

Hinges & pivots

A

Pulls & plates

B57

Flush bolts & coordinators

C

Latches, catches & bolts

D

Stops

E

Exterior hardware

F

Miscellaneous hardware

G

A	Hinges & pivots
B58	Pulls & plates
C	Flush bolts & coordinators
D	Latches, catches & bolts
E	Stops
F	Exterior hardware
G	Miscellaneous hardware



- VR900LLP RH with black grip**
- VR900LLP LH with black grip**
- VR904LLP RH without black grip**
- VR904LLP LH without black grip**

- Closed pull design eliminates a hooking point to be able to forcibly pull a secured door open
- Ligature resistant design
- For use with most mortise locks on inswinging doors including Schlage L9000 Series with interior L or N escutcheon, and rose trim
- Handed design allows trim to be positioned to coordinate with the centerline of inside hardware
- 1-1/2" cylinder hole cut-out on door, located 2-7/32 above Horizontal center line
- Designed for use with 1-1/4" cylinders. Other cylinders may require additional blocking rings, not supplied
- Supplied with protective cylinder collar. Collar spins to reduce damage from pipe wrench or other tool
- Additional cut-outs and locations are available as engineering special, consult customer service
- LLP= Less Lock Protector

Size

- 11 Gauge(0.120" thick)

Mounting

- For door thickness 1-3/4-2-1/4". 1/4-20 X 1-1/4" and 1/4-20 X 1-3/4" mounting screws with countersunk washers
- Can be mounted directly to Schlage L9000 Series
- Standard mounting - Welded studs fasten with pan head screws on opposite side of door
- Optional through bolt mounting - bolt through face of trim into device for added security

Width	Height	Through bolt pattern (4 holes)	Clearance grip to door	Projection
5-1/4"	11"	1-3/4" wide x 10" high	1-1/2"	1-7/8"

Finishes

- Available in Stainless Steel US32D
- 304 Series Stainless Steel standard, exceeding industry standards for corrosion resistance. Recommended for external applications
- Models are available with or without attractive black plastisol edge grip
- *Custom finishes are available as engineering special, consult customer service*



VR910

VR914

VR910-DT with black grip
VR914-DT without black grip

- Closed pull design eliminates a hooking point to be able to forcibly pull a secured door open
- Ligature resistant design
- For use with Von Duprin 98/99 Series rim and vertical rod exit device
- Pull operation only
- Non-handed

Size

- 11 Gauge (0.120" thick)

Mounting

- For door thickness 1-3/4-2-1/4". 10-24 X 1" and 10-24 X 1-1/2" mounting screw size
- Can be mounted directly to Von Duprin 98/99 device
- Standard mounting - Welded studs fasten with pan head screws on opposite side of door
- Optional through bolt mounting - bolt through face of trim into device for added security

Width	Height	Through bolt pattern (4 holes)	Clearance grip to door	Projection
5-1/4"	11"	1-3/8" wide x 7" high	1-1/2"	1-7/8"

Finishes

- Available in Stainless Steel US32D
- 304 Series Stainless Steel standard, exceeding industry standards for corrosion resistance. Recommended for external applications
- Models are available with or without attractive black plastisol edge grip
- *Custom finishes are available as engineering special, consult customer service*

Hinges & pivots
A

Pulls & plates
B59

Flush bolts & coordinators
C

Latches, catches & bolts
D

Stops
E

Exterior hardware
F

Miscellaneous hardware
G

A	Hinges & pivots
B60	Pulls & plates
C	Flush bolts & coordinators
D	Latches, catches & bolts
E	Stops
F	Exterior hardware
G	Miscellaneous hardware



VR910-NL with black grip
VR914-NL without black grip

- Closed pull design eliminates a hooking point to be able to forcibly pull a secured door open
- Ligature resistant design
- For use with Von Duprin 98/99 Series rim and vertical rod exit device
- 1-5/8" cylinder hole cut-out on door, centered on horizontal center line and 1/4" offset from vertical center line towards the lock side of the door
- Designed for use with 1-1/4" cylinders. Other cylinders may require additional blocking rings, not supplied
- Supplied with protective cylinder collar. Collar spins to reduce damage from pipe wrench or other tool
- Additional cut-outs and locations are available as engineering special, consult customer service

Size

- 11 Gauge (0.120" thick)

Mounting

- For door thickness 1-3/4-2-1/4". 10-24 X 1" and 10-24 X 1-1/2" mounting screw size
- Can be mounted directly to Von Duprin 98/99 device
- Standard mounting - Welded studs fasten with pan head screws on opposite side of door
- Optional through bolt mounting - bolt through face of trim into device for added security

Width	Height	Through bolt pattern (4 holes)	Clearance grip to door	Projection
5-1/4"	11"	1-3/8" wide x 7" high	1-1/2"	1-7/8"

Finishes

- Available in Stainless Steel US32D
- 304 Series Stainless Steel standard, exceeding industry standards for corrosion resistance. Recommended for external applications
- Models are available with or without attractive black plastisol edge grip
- *Custom finishes are available as engineering special, consult customer service*



VR910M

VR914M

VR910M-DT with black grip
VR914M-DT without black grip

- Closed pull design eliminates a hooking point to be able to forcibly pull a secured door open
- Ligature resistant design
- For use with Von Duprin 9875/9975 mortise lock exit device
- Built-in lock protector prevents tampering
- Non-handed

Size

- 11 Gauge (0.120" thick)

Mounting

- For door thickness 1-3/4-2-1/4". 10-24 X 1" and 10-24 X 1-1/2" mounting screw size
- Can be mounted directly to Von Duprin 9875/9975 device
- Standard mounting - Welded studs fasten with pan head screws on opposite side of door
- Optional through bolt mounting - bolt through face of trim into device for added security

Width	Height	Through bolt pattern (4 holes)	Clearance grip to door	Projection
7-1/4"	11"	1-3/8" wide x 7" high	1-1/2"	1-7/8"

Finishes

- Available in Stainless Steel US32D
- 304 Series Stainless Steel standard, exceeding industry standards for corrosion resistance. Recommended for external applications
- Models are available with or without attractive black plastisol edge grip
- *Custom finishes are available as engineering special, consult customer service*

Hinges & pivots
A

Pulls & plates
B61

Flush bolts & coordinators
C

Latches, catches & bolts
D

Stops
E

Exterior hardware
F

Miscellaneous hardware
G

A	Hinges & pivots
B62	Pulls & plates
C	Flush bolts & coordinators
D	Latches, catches & bolts
E	Stops
F	Exterior hardware
G	Miscellaneous hardware



- VR910M-NL RHR with black grip**
- VR910M-NL LHR with black grip**
- VR914M-NL RHR without black grip**
- VR914M-NL LHR without black grip**

- Closed pull design eliminates a hooking point to be able to forcibly pull a secured door open
- Ligature resistant design
- For use with Von Duprin 9875/9975 mortise lock exit device
- Night latch operation (cylinder not furnished)
- Built-in lock protector prevents tampering on certain models
- Through bolts direct to the exit device
- Non-handed, horizontal keyway
- 1-5/8" cylinder hole cut-out on door, centered on horizontal center line and 1/4" offset from vertical center line towards the lock side of the door
- Designed for use with 1-1/4" cylinders (other cylinders may require additional blocking rings, not supplied)
- Supplied with protective cylinder collar. Collar spins to reduce damage from pipe wrench or other tool
- Additional cut-outs and locations are available as engineering special, consult customer service

Size

- 11 Gauge(0.120" thick)

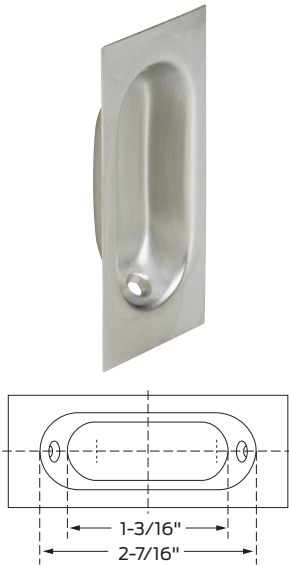
Mounting

- For door thickness 1-3/4"-2-1/4". 10-24 X 1" and 10-24 X 1-1/2" mounting screw size
- Can be mounted directly to Von Duprin 9875/9975 device
- Standard mounting - Welded studs fasten with pan head screws on opposite side of door
- Optional through bolt mounting - bolt through face of trim into device for added security

Width	Height	Through bolt pattern (4 holes)	Clearance grip to door	Projection
7-1/4"	11"	1-3/4" wide x 7" high	1-1/2"	1-7/8"

Finishes

- Available in Stainless Steel US32D
- 304 Series Stainless Steel standard, exceeding industry standards for corrosion resistance. Recommended for external applications
- Models are available with or without attractive black plastisol edge grip.
- *Custom finishes are available as engineering special, consult customer service.*



22 Flush pull - rectangle

- Low profile makes this pull ideal for louvered, bi-folding or wardrobe doors.
- Extra deep recess and reverse tapered grip provide for ease of pulling and gripping.
- Packaged with fasteners for wood applications

Certifications

- Meets ANSI/BHMA 156.9 B22201 and A156.14 D2781

Material substrate

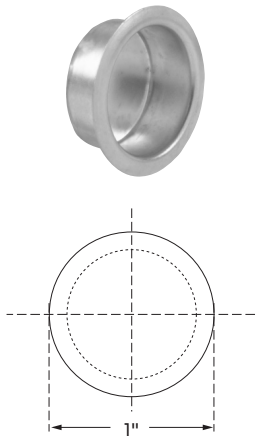
- Made from wrought brass.

Finishes

BHMA	Description	Substrate	Finish
605	Bright brass	Brass	B3
609	Satin brass	Brass	B5
613	Oil rubbed bronze	Brass	B10B
619	Satin nickel	Brass	B15
622	Matte black	Brass	B-BLK
625	Bright chrome	Brass	B26
626	Satin chrome	Brass	B26D
—	Aged bronze	Brass	B-643e/716

Dimensions

- 1-5/16" High x 3-1/8" Wide x 7/16" Deep



218 Flush pull - small circle

- Ideal for use on sliding doors.
- Easy installation.
- Packaged 4 per bag

Certifications

- Meets ANSI/BHMA 156.9 B22201 and A156.14 D2781

Material substrate

- Made from wrought brass.

Finishes

BHMA	Description	Substrate	Finish
605	Bright brass	Brass	B3
609	Satin brass	Brass	B5
612	Satin bronze	Brass	B10
613	Oil rubbed bronze	Brass	B10B
619	Satin nickel	Brass	B15
622	Matte black	Brass	B-BLK
625	Bright chrome	Brass	B26
626	Satin chrome	Brass	B26D
—	Aged bronze	Brass	B-643e/716

Dimensions

- Inside cup diameter: 3/4"
- Overall diameter: 1"
- Depth: 3/8"

Hinges & pivots
A

Pulls & plates
B63

Flush bolts & coordinators
C

Latches, catches & bolts
D

Stops
E

Exterior hardware
F

Miscellaneous hardware
G

A
Hinges & pivots

B64
Pulls & plates

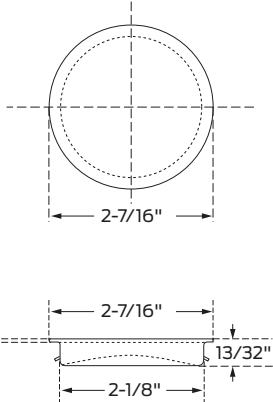
C
Flush bolts & coordinators

D
Latches, catches & bolts

E
Stops

F
Exterior hardware

G
Miscellaneous hardware



221 Flush pull - large circle

- Ideal for use on sliding doors.
- Built-in prong design eliminates the need for screws or brads and facilitates installation.
- Packed with two escutcheon pins for added holding power.

Certifications

- Meets ANSI/BHMA 156.9 B22201 and A156.14 D2781

Material substrate

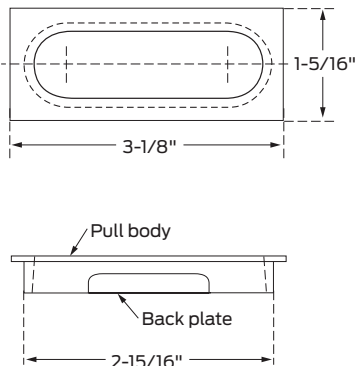
- Made from wrought brass.

Finishes

BHMA	Description	Substrate	Finish
605	Bright brass	Brass	B3
606	Satin brass	Brass	B4
609	Blackened Brass	Brass	B5
612	Satin bronze	Brass	B10
613	Oil rubbed bronze	Brass	B10B
619	Satin nickel	Brass	B15
622	Matte black	Brass	B-BLK
625	Bright chrome	Brass	B26
626	Satin chrome	Brass	B26D
—	Aged bronze	Brass	B-643e/716

Dimensions

- Inside cup diameter: 2-1/8"
- Overall diameter: 2-7/16"
- Depth: 7/16"



222 Flush pull - rectangle

- Low profile makes this pull ideal for louvered, bi-folding or wardrobe doors.
- Reverse tapered grip provide for ease of pulling.

Certifications

- Meets ANSI/BHMA 156.9 B12201 and A156.14 D1781

Material substrate

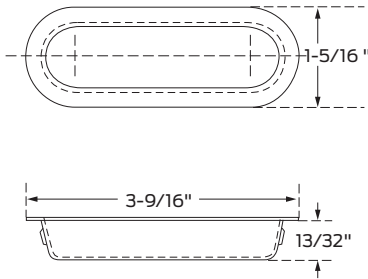
- Made from cast brass.

Finishes

BHMA	Description	Substrate	Finish
605	Bright brass	Brass	B3
606	Satin brass	Brass	B4
609	Blackened Brass	Brass	B5
612	Satin bronze	Brass	B10
613	Oil rubbed bronze	Brass	B10B
619	Satin nickel	Brass	B15
622	Matte black	Brass	B-BLK
625	Bright chrome	Brass	B26
626	Satin chrome	Brass	B26D
—	Aged bronze	Brass	B-643e/716

Dimensions

- 3-1/8" high x 1-5/16" wide x 15/32" deep



223 Flush pull - oval

- Low profile makes this pull ideal for louvered, bi-folding or wardrobe doors.
- Packaged with fasteners for wood applications

Certifications

- Meets ANSI/BHMA 156.9 B22201 and A156.14 D2781

Material Substrate

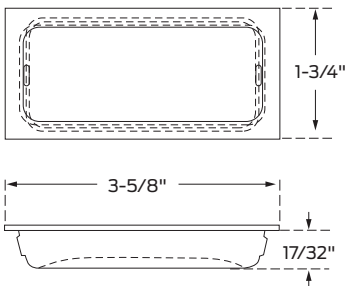
- Made from wrought brass.

Finishes

BHMA	Description	Substrate	Finish
605	Bright brass	Brass	B3
606	Satin brass	Brass	B4
612	Satin bronze	Brass	B10
613	Oil rubbed bronze	Brass	B10B
619	Satin nickel	Brass	B15
622	Matte black	Brass	B-BLK
625	Bright chrome	Brass	B26
626	Satin chrome	Brass	B26D
—	Aged bronze	Brass	B-643e/716

Dimensions

- 3-9/16" high x 1-5/16" wide x 14/32" deep



227 Flush pull - deep well

- Contoured for ease of pulling.
- Extra deep well.
- Packaged with fasteners for wood applications

Certifications

- Meets ANSI/BHMA 156.9 B22201 and A156.14 D2781

Material substrate

- Made from wrought brass.

Finishes

BHMA	Description	Substrate	Finish
605	Bright brass	Brass	B3
606	Satin brass	Brass	B4
609	Blackened Brass	Brass	B5
612	Satin bronze	Brass	B10
613	Oil rubbed bronze	Brass	B10B
619	Satin nickel	Brass	B15
622	Matte black	Brass	B-BLK
625	Bright chrome	Brass	B26
626	Satin chrome	Brass	B26D
—	Aged bronze	Brass	B-643e/716

Dimensions

- 3-5/8" high x 1-3/4" wide x 9/16" deep

A
Hinges & pivots

B66
Pulls & plates

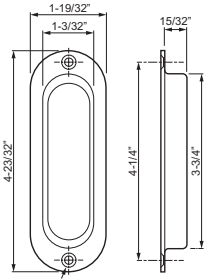
C
Flush bolts & coordinators

D
Latches, catches & bolts

E
Stops

F
Exterior hardware

G
Miscellaneous hardware



919 Decorative flush pull - oval

- Contoured for ease of pulling.
- Packaged with fasteners for wood applications. Surface #6 X 3/4" OH PH

Certifications

- Meets ANSI/BHMA 156.9 and A156.14

Material substrate

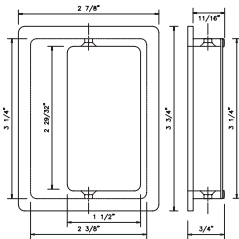
- Made from brass.

Finishes

BHMA	Description	Substrate	Finish
626	Satin chrome	Brass	626

Dimensions

- 4-23/32" high x 1-19/22" wide x 15/32" deep



950 Decorative flush pull - rectangle

- Features a finger pocket for ease of pulling.
- Packaged with fasteners for wood applications. Concealed #6 X 3/4" OH PH

Certifications

- Meets ANSI/BHMA A156.9 and A156.14

Material substrate

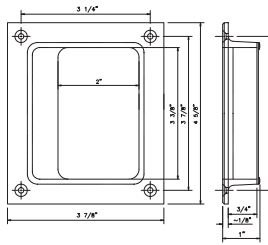
- Made from brass.

Finishes

BHMA	Description	Substrate	Finish
605	Bright brass	Brass	605
613	Oil rubbed bronze	Brass	613
619	Satin nickel	Brass	619
625	Bright chrome	Brass	625
626	Satin chrome	Brass	626

Dimensions

- 3-3/4" high x 2-7/8" wide x 11/16" deep



955 Decorative flush pull - square, deep well

- Features a finger pocket for ease of pulling.
- Packaged with fasteners for wood applications. Exposed #6 X 3/4" FH PH

Certifications

- Meets ANSI/BHMA 156.9 and A156.14

Material substrate

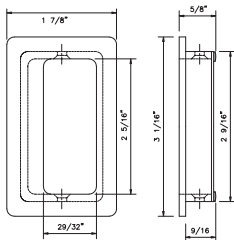
- Made from brass.

Finishes

BHMA	Description	Substrate	Finish
613	Oil rubbed bronze	Brass	613
626	Satin chrome	Brass	626

Dimensions

- 4-5/8" high x 3-29/32" wide x 1-3/16" deep



960 Decorative flush pull - rectangle, narrow

- Features a finger pocket for ease of pulling.
- Packaged with fasteners for wood applications. Concealed #6 X 3/4" OH PH

Certifications

- Meets ANSI/BHMA A156.9 and A156.14

Material substrate

- Made from brass.

Finishes

BHMA	Description	Substrate	Finish
605	Bright brass	Brass	605
613	Oil rubbed bronze	Brass	613
619	Satin nickel	Brass	619
625	Bright chrome	Brass	625
626	Satin chrome	Brass	626

Dimensions

- 3-1/16" high x 1-7/8" wide x 9/16" deep

Hinges & pivots

A

Pulls & plates

B67

Flush bolts & coordinators

C

Latches, catches & bolts

D

Stops

E

Exterior hardware

F

Miscellaneous hardware

G

A
Hinges & pivots

B68
Pulls & plates

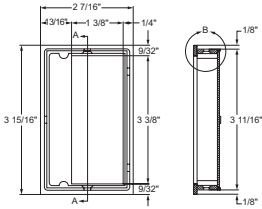
C
Flush bolts & coordinators

D
Latches, catches & bolts

E
Stops

F
Exterior hardware

G
Miscellaneous hardware



962 Decorative flush pull - rectangle

- Features a finger pocket for ease of pulling.
- Black painted finger pocket
- Packaged with fasteners for wood applications. Concealed #8 X 3/4" OH PH

Certifications

- Meets ANSI/BHMA A156.9 and A156.14

Material substrate

- Made from brass.

Finishes

BHMA	Description	Substrate	Finish
613	Oil rubbed bronze	Brass	613
626	Satin chrome	Brass	626

Dimensions

- 3-15/16" high x 2-7/16" wide x 19/32" deep



230 Sliding door edge pull

- 3/4" width allows installation on narrow as well as standard doors.
- Spring automatically returns lever flush with plate.
- Packaged with fasteners for wood applications

Certifications

- Meets ANSI/BHMA 156.14 D2801

Material substrate

- Made from solid brass.

Finishes

BHMA	Description	Substrate	Finish
605	Bright brass	Brass	B3
606	Satin brass	Brass	B4
609	Blackened Brass	Brass	B5
612	Satin bronze	Brass	B10
613	Oil rubbed bronze	Brass	B10B
619	Satin nickel	Brass	B15
622	Matte black	Brass	B-BLK
625	Bright chrome	Brass	B26
626	Satin chrome	Brass	B26D
—	Aged bronze	Brass	B-643e/716

Dimensions

- 3-7/8" high x 3/4" wide



42 Pocket sliding door bolt

- Exclusive Ives design permits emergency release of bolt from outside the door
- Spring activated design allows feather-touch action
- Mounts to face of door
- Brass grommet supplied to cap release hole, protecting the door's finish
- Packaged with fasteners for wood applications

Material substrate

- Made from wrought brass.

Finishes

BHMA	Description	Substrate	Finish
605	Bright brass	Brass	B3
606	Satin brass	Brass	B4
609	Blackened Brass	Brass	B5
612	Satin bronze	Brass	B10
613	Oil rubbed bronze	Brass	B10B
619	Satin nickel	Brass	B15
622	Matte black	Brass	B-BLK
625	Bright chrome	Brass	B26
626	Satin chrome	Brass	B26D
—	Aged bronze	Brass	B-643e/716

Dimensions

- Overall size plate: 3-1/16" high x 1-5/32" wide
- Strike: 1" high x 3/4" wide
- Depth of mortise: 5/8"

Hinges & pivots

A

Pulls & plates

B69

Flush bolts & coordinators

C

Latches, catches & bolts

D

Stops

E

Exterior hardware

F

Miscellaneous hardware

G



990 Sliding door pull

- Fits doors 1-3/8" to 1-1/2".
- Decorative coined edges.
- Pre-assembled for doors opening left to right. Plates are reversible.
- Packaged with fasteners for wood applications

Material substrate

- Body and strike made from brass or aluminum.

Finishes

BHMA	Description	Substrate	Finish
666	Bright brass	Aluminum	A3
---	Blackened brass	Aluminum	A5
669	Bright nickel	Aluminum	A14
670	Satin Nickel	Aluminum	A15
702	Satin chrome	Aluminum	A26D
---	Aged Bronze	Aluminum	A-643e/716
605	Bright brass	Brass	B3
613	Oil rubbed bronze	Brass	B613
619	Satin Nickel	Brass	B619
622	Matte black	Brass	B-BLK
625	Bright chrome	Brass	B26
626	Satin chrome	Brass	B26D
---	Aged Bronze	Brass	B-643e/716

Dimensions

- 1-3/4" D x 2-1/4" H

A
Hinges & pivots

B70
Pulls & plates

C
Flush bolts & coordinators

D
Latches, catches & bolts

E
Stops

F
Exterior hardware

G
Miscellaneous hardware



991 Sliding door pull - privacy

- Fits doors 1-3/8" to 1-1/2".
- Decorative coined edges.
- Pre-assembled for doors opening left to right. Plates are reversible.
- Packaged with fasteners for wood applications

Material substrate

- Body and strike made from brass or aluminum.

Finishes

BHMA	Description	Substrate	Finish
666	Bright brass	Aluminum	A3
---	Blackened brass	Aluminum	A5
669	Bright nickel	Aluminum	A14
670	Satin Nickel	Aluminum	A15
702	Satin chrome	Aluminum	A26D
---	Aged Bronze	Aluminum	A-643e/716
605	Bright brass	Brass	B3
613	Oil rubbed bronze	Brass	B613
619	Satin Nickel	Brass	B619
622	Matte black	Brass	B-BLK
625	Bright chrome	Brass	B26
626	Satin chrome	Brass	B26D
---	Aged Bronze	Brass	B-643e/716

Dimensions

- 1-3/4" D x 2-1/4" H

Screen door pull



25 Screen door pull

Also used as a window lift, drawer or utility pull
Packed with fasteners for wood applications

Certifications

Meets ANSI/BHMA 156.16, L12231

Material Substrate

- Cast aluminum

Dimensions

- Length 4-7/8"
- Projection 1-5/32"
- Mounting holes 4-1/8" center to center

Finishes

BHMA	Description	Substrate	Finish
666	Bright brass	Aluminum	A3
673	Aluminum clear coat	Aluminum	A92
---	Matte black	Aluminum	A-BLK
---	White	Aluminum	A-W

For other colors, consult factory.

Hinges & pivots

A

Pulls & plates

B71

Flush bolts & coordinators

C

Latches, catches & bolts

D

Stops

E

Exterior hardware

F

Miscellaneous hardware

G

A
Hinges & pivots

B72
Pulls & plates

C
Flush bolts & coordinators

D
Latches, catches & bolts

E
Stops

F
Exterior hardware

G
Miscellaneous hardware

Table of contents

Automatic flush bolts – Metal doors

FB31P Top and bottom bolts (pair) C2
 FB31T Top bolt only C2
 FB31B Bottom bolt only C2
 FB32 Top bolt with auxiliary fire latch C3
 FB33 Top bolt with auxiliary fire latch and retrofit plate C3

Automatic flush bolts – Wood doors

FB41P Top and bottom bolts (pair) C4
 FB41T Top bolt only C4
 FB41B Bottom bolt only C4
 FB42 Top bolt with auxiliary fire latch C5

Constant latching flush bolts – Metal doors

FB51P Top and bottom bolts (pair) C6
 FB51T Top bolt only C6
 FB52 Top bolt with auxiliary fire latch C7
 FB53 Top bolt with auxiliary fire latch and retrofit plate C7

Constant latching flush bolts – Wood doors

FB61P Top and bottom bolts (pair) C8
 FB61T Top bolt only C8
 FB62 Top bolt with auxiliary fire latch C9

Manual flush bolts

261 Flush bolt - 4" C10
 262 Flush bolt - 6" square end C11
 265 Flush bolt - 6" round end C12

Manual flush bolts – Wood doors

FB358 Top or bottom bolts C13

Manual flush bolts – Metal doors

FB457 Top or bottom bolts C14
 FB458 Top or bottom bolts C15

Dust proof strikes

DP1 Dust proof strike - round face plate C16
 DP2 Dust proof strike - rectangular face plate C16
 How to order COR and accessories C17

Coordinators – Bar coordinators

COR Bar coordinators C19

Coordinators – Filler bars

FL Filler bars C20

Coordinators – Mounting brackets

MB1 and MB2 Mounting brackets C21
 MB1F, MB2F and MB3F Fire rated mounting brackets C22
 MB1V, MB2V and MB3V C22

Coordinators – Gravity coordinators

COR7G and COR9G Gravity coordinators C23

Coordinators - Carry bar

CBI Carry Bar C24



A
Hinges & pivots

B
Pulls & plates

C1
Flush bolts & coordinators

D
Latches, catches & bolts

E
Stops

F
Exterior hardware

G
Miscellaneous hardware

IVES® Automatic flush bolts – Metal doors

A	Hinges & pivots
B	Pulls & plates
C2	Flush bolts & coordinators
D	Latches, catches & bolts
E	Stops
F	Exterior hardware
G	Miscellaneous hardware



FB31P Top and bottom bolts (pair)

FB31T Top bolt only

FB31B Bottom bolt only

- For use with metal doors only
- Fully automatic—inactive door is latched, bolts are extended when active door closes, door is unlatched, bolts retract when active door is opened.
- Low actuation forces—top bolt has no spring tension.
- Non-handed.
- Bolt throw is 3/4" with a 7/8" vertical adjustment.
- Bolt backset is 3/4"
- Standard Rod Length is 12", which is measured from the center of the flush bolt body to the bolt tip.

Certifications

- Meets ANSI A156.3 Type 25
- Fits standard ANSI A115.4 door frame preparations.
- UL Listed 3 Hour fire doors 8'0" X 10'0"

Mounting

- 8-32 X 3/8" UFPHMS
- 10-12 X1-1/4" Plastic anchor
- 6-32 X 3/8 FPHMS
- 6 X 3/4 FPHSMS
- 8 X 1 FPHSMS
- 10 X 1 FPHSMS

Dimensions

Body size (Width X Length X Depth)	Guide size (Width X Length X Height X Thickness)	Strike size (Width X Length X Thickness)	Rub plate size (Width X Length X Thickness)
1" x 6-3/4" x 2"	1" x 1-27/32" x 27/32" x 3/32"	15/16" x 2-1/4" x 1/16"	1-1/4" x 1-11/16" x 3/64"

Finishes

BHMA	Description	Substrate	US
605	Bright brass	Brass	US3
606	Satin brass	Brass	US4
612	Satin bronze	Brass	US10
613	Oil rubbed bronze	Brass	US10B
BLK	Matte black	Stainless steel	–
629	Bright stainless steel	Stainless steel	US32
630	Satin stainless steel	Stainless steel	US32D

Custom finishes are available as engineering special, consult customer service.

Additional options

- Optional rod lengths available for top bolt only on non-fire rated openings—18", 24", 36" and 48".

Available accessory items

- Security pin screws
- DP1 and DP2 dust proof strike, see page C16



FB32 Top bolt with auxiliary fire latch FB33 Top bolt with auxiliary fire latch and retrofit plate

- For use with metal doors only
- Fully automatic—inactive door is latched, bolts are extended when active door closes, door is unlatched, bolts retract when active door is opened.
- FB32 Model with auxiliary fire latch eliminates the bottom bolt
- FB33 Model with auxiliary fire latch eliminates the bottom bolt and includes a retrofit plate to cover existing bottom bolt prep.
- Low actuation forces—top bolt has no spring tension.
- Non-handed.
- Bolt throw is 3/4" with a 7/8" vertical adjustment.
- Bolt backset is 3/4"
- Standard rod length is 12", which is measured from the center of the flush bolt body to the bolt tip.

Certifications

- Meets ANSI A156.3 Type 25
- Fits standard ANSI A115.4 door frame preparations.
- UL Listed 3 Hour fire doors 8'0" X 8'0"

Mounting

- 8-32 X 3/8" UFPHMS
- 10-12 X 1-1/4" Plastic anchor
- 6-32 X 3/8 FPHMS
- 6 X 3/4 FPHSMS
- 8 X 1 FPHSMS
- 10 X 1 FPHSMS

Dimensions

Body size (Width X Length X Depth)	Guide size (Width X Length X Height X Thickness)	Strike size (Width X Length X Thickness)	Rub plate size (Width X Length X Thickness)
1" x 6-3/4" x 2"	1" x 1-27/32" x 27/32" x 3/32"	15/16" x 2-1/4" x 1/16"	1-1/4" x 1-11/16" x 3/64"

Auxiliary fire latch size (Width X Length X Depth)	Retrofit plate size (Width X Length X Thickness)
1" x 1-3/4" x 3-1/4"	1" x 6-3/4" x 3/32"

Finishes

BHMA	Description	Substrate	US
605	Bright brass	Brass	US3
606	Satin brass	Brass	US4
612	Satin bronze	Brass	US10
613	Oil rubbed bronze	Brass	US10B
BLK	Matte black	Stainless steel	-
629	Bright stainless steel	Stainless steel	US32
630	Satin stainless steel	Stainless steel	US32D

Custom finishes are available as engineering special, consult customer service.

Additional options

- Optional rod lengths available for top bolt only on non-fire rated openings—18", 24", 36" and 48".

Available accessory items

- Security pin screws
- DP1 and DP2 dust proof strike, see page C16

Hinges & pivots
A

Pulls & plates
B

Flush bolts & coordinators
C3

Latches, catches & bolts
D

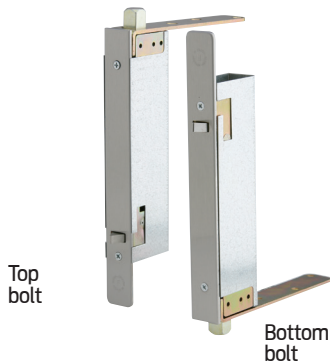
Stops
E

Exterior hardware
F

Miscellaneous hardware
G

IVES® Automatic flush bolts – Wood doors

A	Hinges & pivots
B	Pulls & plates
C4	Flush bolts & coordinators
D	Latches, catches & bolts
E	Stops
F	Exterior hardware
G	Miscellaneous hardware



FB41P Top and bottom bolts (pair)

FB41T Top bolt only

FB41B Bottom bolt only

- For use with wood doors only
- Fully automatic—inactive door is latched, bolts are extended when active door closes, door is unlatched, bolts retract when active door is opened.
- Low actuation forces—top bolt has no spring tension.
- Non-handed.
- Bolt throw is 3/4" with a 7/8" vertical adjustment.
- Bolt backset is 3/4"

Certifications

- Meets ANSI A156.3 Type 25
- UL Listed 90 Min fire doors 8'0" X 8'0"

Mounting

- 8-32 X 3/8" UFPHMS
- 10-12 X 1-1/4" Plastic anchor
- 6-32 X 3/8 FPHMS
- 6 X 3/4 FPHSMS
- 8 X 1 FPHSMS
- 10 X 1 FPHSMS

Dimensions

Body size (Width X Length X Depth)	Guide size (Width X Length X Thickness)	Strike size (Width X Length X Thickness)	Rub plate size (Width X Length X Thickness)
1" x 8-1/2" x 2"	1" x 6" x 1/8"	15/16" x 2-1/4" x 1/16"	1-1/4" x 1-11/16" x 3/64"

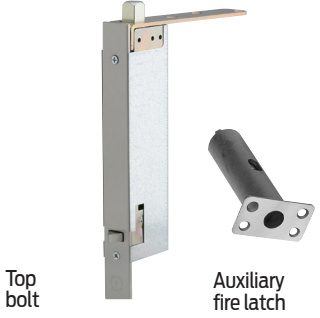
Finishes

BHMA	Description	Substrate	US
605	Bright brass	Brass	US3
606	Satin brass	Brass	US4
612	Satin bronze	Brass	US10
613	Oil rubbed bronze	Brass	US10B
BLK	Matte black	Stainless steel	–
629	Bright stainless steel	Stainless steel	US32
630	Satin stainless steel	Stainless steel	US32D

Custom finishes are available as engineering special, consult customer service.

Available accessory items

- Security pin screws
- DPI and DP2 dust proof strike, see page C16



FB42 Top bolt with auxiliary fire latch

- For use with wood doors only
- Fully automatic—inactive door is latched, bolts are extended when active door closes, door is unlatched, bolts retract when active door is opened.
- FB42 Model with auxiliary fire latch eliminates the bottom bolt
- Low actuation forces—top bolt has no spring tension.
- Non-handed.
- Bolt throw is 3/4" with a 7/8" vertical adjustment.
- Bolt backset is 3/4"

Certifications

- Meets ANSI A156.3 Type 25
- UL Listed 20 Min fire doors 8'0" X 8'0"

Mounting

- 8-32 X 3/8" UFPHMS
- 10-12 X 1-1/4" Plastic anchor
- 6-32 X 3/8 FPHMS
- 6 X 3/4 FPHSMS
- 8 X 1 FPHSMS
- 10 X 1 FPHSMS

Dimensions

Body size (Width X Length X Depth)	Guide size (Width X Length X Thickness)	Strike size (Width X Length X Thickness)	Rub plate size (Width X Length X Thickness)
1" x 8-1/2" x 2"	1" x 6" x 1/8"	15/16" x 2-1/4" x 1/16"	1-1/4" x 1-11/16" x 3/64"

Auxiliary Fire Latch Size (Width X Length X Depth)

1" x 1-3/4" x 3-1/4"

Finishes

BHMA	Description	Substrate	US
605	Bright brass	Brass	US3
606	Satin brass	Brass	US4
612	Satin bronze	Brass	US10
613	Oil rubbed bronze	Brass	US10B
BLK	Matte black	Stainless steel	—
629	Bright stainless steel	Stainless steel	US32
630	Satin stainless steel	Stainless steel	US32D

Custom finishes are available as engineering special, consult customer service.

Available accessory items

- Security pin screws
- DP1 and DP2 dust proof strike, see page C16



FB51P Top and bottom bolts (pair)

FB51T Top bolt only

- For use with metal doors only
- Constant latching—inactive door remains latched until the active door is opened, releasing the automatic bottom bolt and then the top bolt can be manually released. Inactive door will relatch automatically when closed.
- Low actuation forces
- Non-handed.
- Bolt throw is 3/4" with a 7/8" vertical adjustment.
- Bolt backset is 3/4"
- Standard rod length is 12", which is measured from the center of the flush bolt body to the bolt tip.

Certifications

- Meets ANSI A156.3 Type 27
- Fits standard ANSI A115.4 door frame preparations.
- UL Listed 3 Hour fire doors 8'0" X 8'0"

Mounting

- 8-32 X 3/8" UFPHMS
- 10-12 X 1-1/4" Plastic anchor
- 6-32 X 3/8 FPHMS
- 6 X 3/4 FPHSMS
- 8 X 1 FPHSMS
- 10 X 1 FPHSMS

Dimensions

Body size (Width X Length X Depth)	Guide size (Width X Length X Height X Thickness)	Strike size (Width X Length X Thickness)	Rub plate size (Width X Length X Thickness)
1" x 6-3/4" x 2"	1" x 1-27/32" x 11/16" x 3/32"	15/16" x 2-1/4" x 1/16"	1-1/4" x 1-11/16" x 3/64"

Finishes

BHMA	Description	Substrate	US
605	Bright brass	Brass	US3
606	Satin brass	Brass	US4
612	Satin bronze	Brass	US10
613	Oil rubbed bronze	Brass	US10B
BLK	Matte black	Stainless steel	-
629	Bright stainless steel	Stainless steel	US32
630	Satin stainless steel	Stainless steel	US32D

Custom finishes are available as engineering special, consult customer service.

Additional options

- Optional rod lengths available for top bolt only on non-fire rated openings—18", 24", 36" and 48".

Available accessory items

- Security pin screws
- DPI and DP2 dust proof strike, see page C16



FB52 Top bolt with auxiliary fire latch
FB53 Top bolt with auxiliary fire latch and retrofit plate

- For use with metal doors only
- Constant latching—inactive door remains latched until the active door is opened, releasing the automatic bottom bolt and then the top bolt can be manually released. Inactive door will relatch automatically when closed.
 - FB52 Model with auxiliary fire latch eliminates the bottom bolt
 - FB53 Model with auxiliary fire latch eliminates the bottom bolt and includes a retrofit plate to cover existing bottom bolt prep.
- Low actuation forces
- Non-handed.
- Bolt throw is 3/4" with a 7/8" vertical adjustment.
- Bolt backset is 3/4"
- Standard rod length is 12", which is measured from the center of the flush bolt body to the bolt tip.

Certifications

- Meets ANSI A156.3 Type 27
- Fits standard ANSI A115.4 door frame preparations.
- UL Listed 3 Hour fire doors 8'0" X 8'0"

Mounting

- 8-32 X 3/8" UFPHMS
- 10-12 X 1-1/4" Plastic anchor
- 6-32 X 3/8" FPHMS
- 6 X 3/4" FPHSMS
- 8 X 1" FPHSMS
- 10 X 1" FPHSMS

Dimensions

Body size (Width X Length X Depth)	Guide size (Width X Length X Height X Thickness)	Strike size (Width X Length X Thickness)	Rub plate size (Width X Length X Thickness)
1" x 6-3/4" x 2"	1" x 1-27/32" x 11/16" x 3/32"	15/16" x 2-1/4" x 1/16"	1-1/4" x 1-11/16" x 3/64"

Auxiliary fire latch size (Width X Length X Depth)	Retrofit plate size (Width X Length X Thickness)
1" x 1-3/4" x 3-1/4"	1" x 6-3/4" x 3/32"

Finishes

BHMA	Description	Substrate	US
605	Bright brass	Brass	US3
606	Satin brass	Brass	US4
612	Satin bronze	Brass	US10
613	Oil rubbed bronze	Brass	US10B
BLK	Matte black	Stainless steel	–
629	Bright stainless steel	Stainless steel	US32
630	Satin stainless steel	Stainless steel	US32D

Custom finishes are available as engineering special, consult customer service.

Additional options

- Optional rod lengths available for top bolt only on non-fire rated openings—18", 24", 36" and 48".

Available accessory items

- Security pin screws
- DPI and DP2 dust proof strike, see page C16

Hinges & pivots **A**

Pulls & plates **B**

Flush bolts & coordinators **C7**

Latches, catches & bolts **D**

Stops **E**

Exterior hardware **F**

Miscellaneous hardware **G**

IVES® Constant latching flush bolts – Wood doors



FB61P Top and bottom bolts (pair)

FB61T Top bolt only

- For use with wood doors only
- Constant latching—inactive door remains latched until the active door is opened, releasing the automatic bottom bolt and then the top bolt can be manually released. Inactive door will relatch automatically when door closes.
- Low actuation forces
- Non-handed.
- Bolt throw is 3/4" with a 7/8" vertical adjustment.
- Bolt backset is 3/4"

Certifications

- Meets ANSI A156.3 Type 27
- UL Listed 90 Min fire doors 8'0" X 8'0"

Mounting

- 8-32 X 3/8" UFPHMS
- 10-12 X 1-1/4" Plastic anchor
- 6-32 X 3/8 FPHMS
- 6 X 3/4 FPHSMS
- 8 X 1 FPHSMS
- 10 X 1 FPHSMS

Dimensions

Body size (Width X Length X Depth)	Guide size (Width X Length X Thickness)	Strike size (Width X Length X Thickness)	Rub plate size (Width X Length X Thickness)
1" x 8-1/2" x 2"	1" x 6" x 1/8"	15/16" x 2-1/4" x 1/16"	1-1/4" x 1-11/16" x 3/64"

Finishes

BHMA	Description	Substrate	US
605	Bright brass	Brass	US3
606	Satin brass	Brass	US4
612	Satin bronze	Brass	US10
613	Oil rubbed bronze	Brass	US10B
BLK	Matte black	Stainless steel	—
629	Bright stainless steel	Stainless steel	US32
630	Satin stainless steel	Stainless steel	US32D

Custom finishes are available as engineering special, consult customer service.

Available accessory items

- Security pin screws
- DP1 and DP2 dust proof strike, see page C16



FB62 Top bolt with auxiliary fire latch

- For use with wood doors only
- Fully automatic—inactive door is latched, bolts are extended when active door closes, door is unlatched, bolts retract when active door is opened
 - FB62 Model with auxiliary fire latch eliminates the bottom bolt
- Low actuation forces
- Non-handed
- Bolt throw is 3/4" with a 7/8" vertical adjustment
- Bolt backset is 3/4"

Certifications

- Meets ANSI A156.3 Type 27
- UL Listed 20 Min fire doors 8'0" X 8'0"

Mounting

- 8-32 X 3/8" UFPHMS
- 10-12 X 1-1/4" Plastic anchor
- 6-32 X 3/8 FPHMS
- 6 X 3/4 FPHSMS
- 8 X 1 FPHSMS
- 10 X 1 FPHSMS

Dimensions

Body size (Width X Length X Depth)	Guide size (Width X Length X Thickness)	Strike size (Width X Length X Thickness)	Rub plate size (Width X Length X Thickness)
1" x 8-1/2" x 2"	1" x 6" x 1/8"	15/16" x 2-1/4" x 1/16"	1-1/4" x 1-11/16" x 3/64"

Auxiliary Fire Latch Size (Width X Length X Depth)

1" x 1-3/4" x 3-1/4"

Finishes

BHMA	Description	Substrate	US
605	Bright brass	Brass	US3
606	Satin brass	Brass	US4
612	Satin bronze	Brass	US10
613	Oil rubbed bronze	Brass	US10B
BLK	Matte black	Stainless steel	–
629	Bright stainless steel	Stainless steel	US32
630	Satin stainless steel	Stainless steel	US32D

Custom finishes are available as engineering special, consult customer service.

Available accessory items

- Security pin screws
- DP1 and DP2 dust proof strike, see page C16

Hinges & pivots
A

Pulls & plates
B

Flush bolts & coordinators
C9

Latches, catches & bolts
D

Stops
E

Exterior hardware
F

Miscellaneous hardware
G



261 Flush bolt - 4"

- An exceptionally smooth working flush bolt with sharp, crisp lines
- Double action spring design provides automatic holding of brass bolt in projected or retracted position, and assures ease of operation in conjunction with deep cup finger hole
- Made from polished cast brass
- Bolt tip is 5/16" Diameter
- Bolt throw is 3/4"
- Bolt backset is 15/32"

Certifications

- Meets ANSI A156.16, L04201

Mounting

- 5 X 5/8" FPHSMS
- 8 X 3/4" FPHSMS

Dimensions

Body size (Width X Length X Depth)	Strike size (Width X Length)
3/4" x 4" x 1-1/8"	5/8" x 1-1/2"

Finishes

BHMA	Description	Substrate	US
605	Bright brass	Brass	US3
609	Satin brass	Brass	US5
613	Oil rubbed bronze	Brass	US10B
619	Satin nickel	Brass	US15
625	Bright chrome	Brass	US26
626	Satin chrome	Brass	US26D

Custom finishes are available as engineering special, consult customer service



262 Flush bolt - 6" square end

- An exceptionally smooth working flush bolt with sharp, crisp lines
- Double action spring design provides automatic holding of brass bolt in projected or retracted position, and assures ease of operation in conjunction with deep cup finger hole
- Made from polished cast brass
- Bolt tip is 1/2" diameter
- Bolt throw is 1"
- Bolt backset is 15/32"

Certifications

- Meets ANSI A156.16, L04201

Mounting

- 5 X 5/8" FPHSMS
- 8 X 3/4" FPHSMS

Dimensions

Body size (Width X Length X Depth)	Strike size (Width X Length)
3/4" x 6" x 1-11/32"	7/8" x 1-3/4"

Finishes

BHMA	Description	Substrate	US
605	Bright brass	Brass	US3
609	Satin brass	Brass	US5
613	Oil rubbed bronze	Brass	US10B
619	Satin nickel	Brass	US15
625	Bright chrome	Brass	US26
626	Satin chrome	Brass	US26D

Custom finishes are available as engineering special, consult customer service.

Hinges & pivots
A

Pulls & plates
B

Flush bolts & coordinators
C11

Latches, catches & bolts
D

Stops
E

Exterior hardware
F

Miscellaneous hardware
G

A	Hinges & pivots
B	Pulls & plates
C12	Flush bolts & coordinators
D	Latches, catches & bolts
E	Stops
F	Exterior hardware
G	Miscellaneous hardware



265 Flush bolt - 6" round end

- A flush bolt with radiused bottom faceplate designed specifically for simple one-step router installation
- Double action spring design provides automatic holding of brass bolt in projected or retracted position, and assures ease of operation in conjunction with deep cup finger hole
- Faceplate is polished solid brass; bolt is made from aluminum zinc alloy
- Bolt tip is 1/2" diameter
- Bolt throw is 1"
- Bolt backset is 1/2"

Certifications

- Meets ANSI A156.16, L042011

Mounting

- 5 X 5/8" FPHSMS
- 8 X 3/4" FPHSMS

Dimensions

Body size (Width X Length X Depth)	Strike size (Width X Length)
3/4" x 6" x 1-7/16"	7/8" x 1-3/4"

Finishes

BHMA	Description	Substrate	US
605	Bright brass	Brass	US3
609	Satin brass	Brass	US5
613	Oil rubbed bronze	Brass	US10B
619	Satin nickel	Brass	US15
625	Bright chrome	Brass	US26
626	Satin chrome	Brass	US26D

Custom finishes are available as engineering special, consult customer service.



FB358 Top or bottom bolts

- When the active door is opened, the lever can be moved to the 'up' position, retracting the bolt and allowing the inactive leaf to be opened. When the inactive leaf is closed, the lever can be moved to the 'down' position, projecting the bolt into the strike and securely locking the inactive leaf
- Reduces installation costs; requires only simple router mortise at top and bottom corners of doors
- Door strength and rigidity maintained by tying door faces to reinforcing extensions on guide with machine screws and bearing washers, not supplied
- Non-handed
- Bolt tip 1/2" diameter
- Bolt throw is 3/4" with a 7/8" vertical adjustment
- Bolt backset is 3/4"
- Not available for rabbeted door installations

Certifications

- Meets ANSI A156.16, L04261
- UL Listed 90 Minute fire doors 8'0" X 10'0". Fire rated openings require top and bottom bolt.

Mounting

- 8 X 1" FPHSMS
- 8 X 3/4" FPHSMS

Dimensions

Body size (Width X Length X Depth)	Guide Size (Width X Length X Thickness)	Strike size (Width X Length X Thickness)
1" x 6-3/4" x 1-3/8"	1" x 2-1/2" x 5/64"	15/16" x 2-1/4" x 5/64"

Finishes

BHMA	Description	Substrate	US
605	Bright brass	Brass	US3
606	Satin brass	Brass	US4
612	Satin bronze	Brass	US10
613	Oil rubbed bronze	Brass	US10B
619	Satin nickel	Brass	US15
622	Matte black	Brass	BLK
625	Bright chrome	Brass	US26
626	Satin chrome	Brass	US26D
643e/716	Aged bronze	Brass	-

Custom finishes are available as engineering special, consult customer service.

Available accessory items

- DP1 and DP2 dust proof strike, see page C16

Hinges & pivots
A

Pulls & plates
B

Flush bolts & coordinators
C13

Latches, catches & bolts
D

Stops
E

Exterior hardware
F

Miscellaneous hardware
G

A	Hinges & pivots
B	Pulls & plates
C14	Flush bolts & coordinators
D	Latches, catches & bolts
E	Stops
F	Exterior hardware
G	Miscellaneous hardware



FB457 Top or bottom bolts

- When the active door is opened, the lever can be moved to the 'up' position, retracting the bolt and allowing the inactive leaf to be opened. When the inactive leaf is closed, the lever can be moved to the 'down' position, projecting the bolt into the strike and securely locking the inactive leaf.
- Simplified installation in metal frames. Round bolt head requires only a punched hole. Use of strike optional. Special design of guide and flat sided bolt tip to prevent bolt rotation.
- Non-handed
- Bolt tip 1/2" diameter
- Bolt throw is 3/4" with a 7/8" vertical adjustment
- Bolt backset is 3/4"
- Standard rod length is 12", which is measured from the center of the flush bolt body to the bolt tip

Certifications

- Meets ANSI A156.16, L04261
- UL Listed 3 Hour fire doors 8'0" X 10'0". Fire rated openings require top and bottom bolt.

Mounting

- 8-32 X 1" FPHMS

Dimensions

Body size (Width X Length X Depth)	Guide Size (Width X Length X Thickness)	Strike size (Width X Length X Thickness)
1-1/4" x 6-3/4" x 1-1/8"	1" x 2" x 5/64"	15/16" x 2-1/4" x 5/64"

Finishes

BHMA	Description	Substrate	US
605	Bright brass	Brass	US3
606	Satin brass	Brass	US4
612	Satin bronze	Brass	US10
613	Oil rubbed bronze	Brass	US10B
619	Satin nickel	Brass	US15
622	Matte black	Brass	BLK
625	Bright chrome	Brass	US26
626	Satin chrome	Brass	US26D
643e/716	Aged bronze	Brass	-

Custom finishes are available as engineering special, consult customer service.

Available options

- Optional rod lengths available for top bolt only on non-fire rated openings— 18", 24" for fire rated doors with AHJ approval, 36" and 48" for non-fire rated doors

Available accessory items

- DP1 and DP2 dust proof strike, see page C16



FB458 Top or bottom bolts

- When the active door is opened, the lever can be moved to the 'up' position, retracting the bolt and allowing the inactive leaf to be opened. When the inactive leaf is closed, the lever can be moved to the 'down' position, projecting the bolt into the strike and securely locking the inactive leaf.
- Simplified installation in metal frames. Round bolt head requires only a punched hole. Use of strike optional. Special design of guide and flat sided bolt tip to prevent bolt rotation.
- Non-handed
- Bolt tip 1/2" diameter
- Bolt throw is 3/4" with a 7/8" vertical adjustment
- Bolt backset is 3/4"
- Standard rod length is 12", which is measured from the center of the flush bolt body to the bolt tip

Certifications

- Meets ANSI A156.16, L04261
- UL Listed 3 Hour fire doors 8'0" X 10'0". Fire rated openings require top and bottom bolt.

Mounting

- 8-32 X 1" FPHMS

Dimensions

Body size (Width X Length X Depth)	Guide Size (Width X Length X Thickness)	Strike size (Width X Length X Thickness)
1" x 6-3/4" x 1-1/8"	1" x 2" x 5/64"	15/16" x 2-1/4" x 5/64"

Finishes

BHMA	Description	Substrate	US
605	Bright brass	Brass	US3
606	Satin brass	Brass	US4
609	Blackened brass	Brass	US5
612	Satin bronze	Brass	US10
613	Oil rubbed bronze	Brass	US10B
619	Satin nickel	Brass	US15
622	Matte black	Brass	BLK
625	Bright chrome	Brass	US26
626	Satin chrome	Brass	US26D
643e/716	Aged bronze	Brass	–

Custom finishes are available as engineering special, consult customer service.

Available options

- Optional rod lengths available for top bolt only on non-fire rated openings— 18", 24" for fire rated doors with AHJ approval, 36" and 48" for non-fire rated doors

Available accessory items

- DP1 and DP2 dust proof strike, see page C16

Hinges & pivots
A

Pulls & plates
B

Flush bolts & coordinators
C15

Latches, catches & bolts
D

Stops
E

Exterior hardware
F

Miscellaneous hardware
G

A
Hinges & pivots



DP1

B
Pulls & plates



DP2

C16
Flush bolts & coordinators

D
Latches, catches & bolts

E
Stops

F
Exterior hardware

G
Miscellaneous hardware

DP1 Dust proof strike - round face plate
DP2 Dust proof strike - rectangular face plate

- Designed for use with the bottom bolt of all flush bolts.
- Spring-loaded plunger returns to floor or threshold level anytime flush bolt is retracted, eliminating need to clean standard floor strikes.
- Strike hole is 3/4" diameter and 1-1/8" deep

Certifications

- Meets ANSI A156.16, L14011

Mounting

- 8-32 X 1" FPHMS

Dimensions

DP1 Face Plate (Diameter)	DP2 Face Plate (Width X Length X Thickness)	Body: (Diameter X Depth)
1-7/16"	1-5/8" x 3-1/2" x 1/8"	1-3/16" x 1-7/8"

Finishes

BHMA	Description	Substrate	US
605	Bright brass	Brass	US3
606	Satin brass	Brass	US4
612	Satin bronze	Brass	US10
613	Oil rubbed bronze	Brass	US10B
619*	Satin nickel	Brass	US15
622*	Matte black	Brass	BLK
625	Bright chrome	Brass	US26
626	Satin chrome	Brass	US26D
643e/716*	Aged bronze	Brass	-

*Finishes only available with DP2

Custom finishes are available as engineering special, consult customer service

Available accessory items

- Security pin screws

How to order COR and accessories

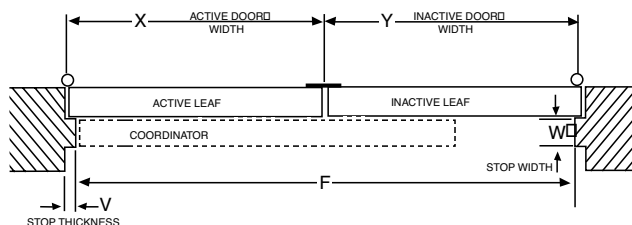
COR	52	US28	FL20	D	36"
<p>COR size: 32, 42, 52, 60, 72</p>					
<p>Finishes: US28, US26D, 315AN</p>					
<p>Filler bar (if desired): FL20, FL32, FL44</p>					
<p>Vertical rod exit device cutout type (if applicable): A, B, C, D, E, F, G If other vertical rod exit device not listed on chart, from page C16, include information as shown on page C16.</p>					
<p>Active door size – Required for ALL vertical rod exit device applications</p>					

To determine the size COR you need:

- Start with the active door width (X)
- Next consider the overall frame opening between stops (F)
- Preferably, the coordinator would equal the active door width (X) + approximately 1/2 inactive door width (Y). The coordinator must be 6" longer than the active door width (X) and less than the overall frame opening between stop (F).

Examples:

- Pair of 30" doors, 5/8" stops
Active Door Size, X = 30"
Overall frame opening between stops, F = 58-3/4"
Recommended coordinator: COR42
- Pair of 36" doors, 5/8" stops
Active door size, X = 36"
Overall frame opening between stops, F = 70-3/4"
Recommended coordinator: COR52



- 36" Active door, 18" Inactive door, 5/8" stops
Active door size, X = 36"
Overall frame opening between stops, F = 52-3/4"
Recommended coordinator: COR42
- 48" Active door, 24" Inactive door, 5/8" stops
Active door size, X = 48"
Overall frame opening between stops, F = 94-3/4"
Recommended coordinator: COR60

A
Hinges & pivots

B
Pulls & plates

C17
Flush bolts & coordinators

D
Latches, catches & bolts

E
Stops

F
Exterior hardware

G
Miscellaneous hardware

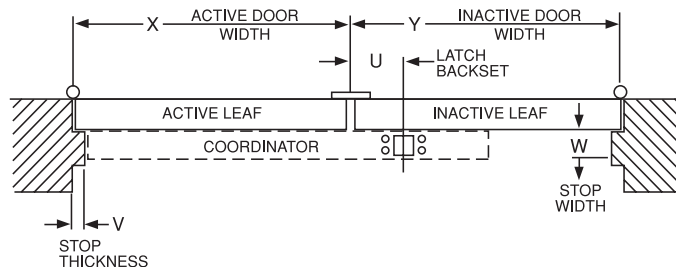
Special factory preparation for use with vertical rod exit devices

Coordinators may need to be prepared at the factory for use with some surface or concealed vertical rod exit devices. (See chart)

Exit device manufacturer	Exit device number	Device backset	Maximum active door	Coordinator size needed	Coordinator cutout type	Mounting bracket needed
Von Duprin	5547-F	2-3/8"	33" 43" 51" 63"	42" 52" 60" 72"	Type A	None
Von Duprin	8827-F	2-3/4"	33" 43" 51" 63"	42" 52" 60" 72"	Type B	MB1V, MB2V or MB3V see page C22
Von Duprin	8847-F	2-3/8"	33" 43" 51" 63"	42" 52" 60" 72"	Type C	None
Von Duprin	33/3547 33/3547-F 98/9947 98/9947-F	2-3/4"	33" 43" 51" 64"	42" 52" 60" 72"	Type D	None
Von Duprin	33/3548 33/3548-F 98/9948 98/9948-F	2-3/4"	33" 43" 51" 64"	42" 52" 60" 72"	Type D	None
Von Duprin	33/3547WDC 33/3547WDC-F 98/9947WDC 98/9947WDC-F	1-5/16"	33" 43" 51" 66"	42" 52" 60" 72"	Type E	None
Falcon	17-C F-17-C 18-C F-18-C XX-C F-XX-C 24-C F-24-C 25-C F-25-C	2-3/4"	33" 43" 51" 63"	42" 52" 60" 72"	Type F	None
Falcon	17-C -WDC F-17-C -WDC 18-C -WDC F-18-C -WDC XX-C -WDC F-XX-C -WDC 24-C -WDC F-24-C -WDC 25-C -WDC F-25-C -WDC	2-13/16"	33" 43" 51" 63"	42" 52" 60" 72"	Type G	None

If the exit device is not listed the following information is needed.

- Exit device manufacturer and model no.
- Active door size, "X"
- Inactive door size, "Y"
- Exit device backset, "U"
- Stop width, "W"
- Stop thickness if other than 5/8", "V"





A
Hinges & pivots

COR Bar coordinators

- The COR Series coordinators are designed for use on pairs of doors when one door needs to close before the other.
- All COR units function easily. The active door lever, located nearest to the active stop, holds the active door open until the trigger mechanism is released by the closing of the inactive leaf.
- All COR units do not function correctly with swingclear hinges. Consult factory when used with 3/4" offset pivots.
- All COR units are equipped with an adjustable override feature which allows the active door to close under extreme pressure.
- All COR units are compatible with flush bolts.
- For openings where doors are unequal size. The coordinator length should equal the active door width plus approximately 1/2 the inactive door width. The coordinator must be 6" longer than the active door width and shorter than the overall frame opening between stops.
- The COR Series does not cover the entire length of the stop, so a FL filler bar can be provided to maintain architecturally clean lines.

B
Pulls & plates

Certifications

- Meets ANSI A156.3 Type 21A
- UL Listed for installation on labeled frame

C19
Flush bolts & coordinators

Material Substrate

- Aluminum 6000 Series

Sizes

- The COR Series is available in five sizes for variable door opening widths.

Coordinator number	Length of channel	For opening widths	Common applications
COR32	32"	34" - 52"	Pair of 2'0" Doors
COR42	42"	52" - 72"	Pair of 2'6" Doors
COR52	52"	62" - 92"	Pair of 3'0" Doors
COR60	60"	70" - 108"	Pair of 3'6" Doors
COR72	72"	84" - 132"	Pair of 4'0" Doors

D
Latches, catches & bolts

Finishes

BHMA	Description	Substrate	US
628	Satin aluminum	Aluminum	US28
711	Black anodized	Aluminum	315AN
713	Satin chrome	Aluminum	US26D

E
Stops

Custom finishes are available as engineering special, consult customer service

Available options

- Optional filler bars: FL20 - 20", FL32 - 32" and FL44 - 44", available to maintain clean line.
- Security pin screws
- Special prep cut-outs: Required for certain vertical exit device applications. See page C18 for common examples. If other vertical rod exit device not listed on chart is required, include required information as shown on page C18. Consult customer service for other applications.

F
Exterior hardware

Available accessory items

- Optional mounting brackets available: MB1, MB2, MB1F, MB2F, MB3F, MB1V, MB2V and MB3V for other stop applied hardware.
- Security pin screws
- Replacement mounting package
- Replacement rub plate package

G
Miscellaneous hardware



FL Filler bars

- The COR Series does not cover the entire length of the stop, so a FL filler bar can be provided to maintain architecturally clean lines.
- The FL filler bars are available in three sizes for variable frame openings.
- FL filler bars are field sized to frame opening.

Certifications

- Meets ANSI A156.3 Type 21A
- UL Listed for installation on labeled frame

Material Substrate

- Aluminum 6000 Series

Sizes

Filler Bar number	Length	Dimensions (Width X Depth X Length)
FL20	20"	1-5/8" x 5/8" x 20"
FL32	32"	1-5/8" x 5/8" x 32"
FL44	44"	1-5/8" x 5/8" x 44"

Finishes

BHMA	Description	Substrate	US
628	Satin aluminum	Aluminum	US28
711	Black anodized	Aluminum	315AN
713	Satin chrome	Aluminum	US26D

Custom finishes are available as engineering special, consult customer service

Available accessory items

- Security pin screws

A
Hinges & pivots

B
Pulls & plates

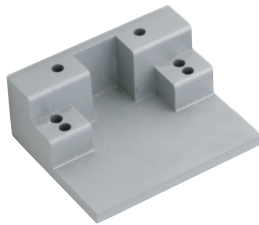
C20
Flush bolts & coordinators

D
Latches, catches & bolts

E
Stops

F
Exterior hardware

G
Miscellaneous hardware



MB1 and MB2 Mounting brackets

- Allows stop mounted hardware to be properly installed without damaging the COR coordinator, such as a parallel arm closer or a non-fire-rated surface vertical rod strike.
- Stop mounted hardware will need to be lowered to compensate for the height of the coordinator and mounting bracket.

Certifications

- Meets ANSI A156.3 Type 21A

Material substrate

- Aluminum A380

Sizes

Product	Jamb depth	Stop width	Dimensions
MB1	4-3/4" Min	Over 2-1/2"	4" W x 3" D x 15/16" T
MB2	4-3/4" Min	Up to 2-1/2"	4" W x 3-1/4" D x 1-5/8" T

Finishes

BHMA	Description	Substrate	US
600	Primed for paint	Aluminum	USP
-	Flat black painted	Aluminum	BLK
689	Aluminum painted	Aluminum	SP28

Custom finishes are available as engineering special, consult customer service.

Hinges & pivots

A

Pulls & plates

B

Flush bolts & coordinators

C21

Latches, catches & bolts

D

Stops

E

Exterior hardware

F

Miscellaneous hardware

G

A
Hinges & pivots



MB1V

B
Pulls & plates



MB2V

C22
Flush bolts & coordinators



MB3V

D
Latches, catches & bolts

E
Stops

F
Exterior hardware

G
Miscellaneous hardware

MB1F, MB2F and MB3F Mounting brackets MB1V, MB2V and MB3V

- Allows for stop mounted hardware to be properly installed without damaging the COR Coordinators, such as surface vertical rod exit device strikes.
- Latch will need to be lowered to compensate for the height of the coordinator and mounting bracket.
- MB-V are designed for Von Duprin 8827-F soffit latch.

Certifications

- Meets ANSI A156.3 Type 21A

Material substrate

- Cold rolled steel

Sizes

Product	Jamb depth	Stop width	Dimensions
MB1F	5"	1-1/2" - 2-1/4"	4" W x 3" D x 1-5/8" T
MB1V	5"	1-1/2" - 2-1/4"	4" W x 3" D x 1-5/8" T
MB2F	5-7/8"	2-3/8" - 3-1/4"	4" W x 3" D x 1-5/8" T
MB2V	5-7/8"	2-3/8" - 3-1/4"	4" W x 3" D x 1-5/8" T
MB3F	6-7/8"	Over 3-3/8"	4"W x 3-1/2" D x 1"T
MB3V	6-7/8"	Over 3-3/8"	4"W x 3-1/2" D x 1"T

Finishes

BHMA	Description	Substrate	US
600	Primed for paint	Steel	USP
-	Flat black painted	Steel	BLK
689	Aluminum painted	Steel	SP28

Custom finishes are available as engineering special, consult customer service



COR7G and COR9G Gravity coordinators

- When active door is open, coordinator prevents active door from closing until inactive door bypasses. Closing of inactive door causes strike plate on top of door to contact cam and lift arm, allowing active door to close. As inactive door continues closing, roller rides over strike plate on to door bracket, holding arm above active door.
- Non-handed.
- Gravity action arm and door bracket are adjustable on the job for ease of installation. Rubber roller provides quiet and efficient operation, and helps protect the astragal and doors from damage.
- Nylon roller on short arm glides smoothly over door bracket and strike, ensuring silent operation.

Certifications

- Meets ANSI A156.3 Type 21B
- UL Listed for fire doors

Mounting

- 8-32 X 1" FPHMS

Material substrate

- Forged brass

Sizes

- COR7G 7" projection
 - COR7G for use on pairs of doors with astragal on active door up to 4' or with astragal on inactive door up to 3'4" or with astragal on both doors up to 2'10"
- COR9G 9" projection
 - COR9G for use on pairs of doors with astragal on active over 4' or with astragal on inactive door over 3'4" or with astragal on both doors over 2'10"

Finishes

BHMA	Description	Substrate	US
605	Bright brass	Brass	US3
606	Satin brass	Brass	US4
612	Satin bronze	Brass	US10
613	Oil rubbed bronze	Brass	US10B
625	Bright chrome	Brass	US26
626	Satin chrome	Brass	US26D

Custom finishes are available as engineering special, consult customer service.

Available accessory items

- Security pin screws
- Replacement mounting package
- Replacement roller and bolt package
- Replacement rubber roller and pin package
- Replacement rub plate package

Hinges & pivots
A

Pulls & plates
B

Flush bolts & coordinators
C23

Latches, catches & bolts
D

Stops
E

Exterior hardware
F

Miscellaneous hardware
G

A
Hinges & pivots

B
Pulls & plates

C24
Flush bolts & coordinators

D
Latches, catches & bolts

E
Stops

F
Exterior hardware

G
Miscellaneous hardware



CBI Carry Bar

- Used when it is possible for the inactive door to be opened before the active door
- Prevents damage to the doors and other hardware
- Nylon roller insures quiet and efficient operation
- Non-handed
- Standard through bolts for mounting

Certifications

- Meets ANSI A156.3 Type 21A

Material substrate

- All-steel construction

Dimensions

Door closed	Door open
1.5/8" X 5.3/4"	1.5/8" X 2.1/2"

Finishes

BHMA	Description	Substrate	US
600	Primed for paint	Steel	USP
632	Bright brass	Steel	US3
633	Satin brass	Steel	US4
639	Satin bronze	Steel	US10
640	Dark satin bronze	Steel	US10B
651	Bright chrome	Steel	US26
652	Satin chrome	Steel	US26D
–	Flat black coated	Steel	BLK

Custom finishes are available as engineering special, consult customer service.

Available accessory items

- Security pin screws
- Replacement nylon roller and pin package

Table of contents

Surface bolts

SB360 Surface bolt	D2
SB453 Surface bolt	D2
SB1630 Surface bolt	D3
SB1640 Surface bolt	D3
SB1600M1 Surface bolt	D4
SB1600M2 Surface bolt	D4

Decorative surface bolts

40 Surface bolt, decorative light duty	D5
253 Surface bolt, decorative heavy duty	D5

Dutch door & mortise door bolts

054 Dutch door bolt	D6
S48 Mortise door bolt	D6

Door guards

481 Chain door guard	D7
482 Solid bar door guard	D7

Roller latches/optional strikes

RL30 Roller latch	D8
RL30A Roller latch	D8
RL32 Roller latch	D8
RL32A Roller latch	D8
RL36 Roller latch	D9
RL36A Roller latch	D9
RL38 Roller latch	D9
RL1152 Roller latch	D10
STK685 Strike	D10
STK685L Strike	D10
Both strikes:	D10

Angle stops

AS895 Angle stop	D11
AS18 Angle stop	D11

Latches/catches

CL11 Invisible latch	D12
CL12 Invisible latch	D12
CL14 Invisible latch, auxiliary pusher	D12
CL21 Ball catch	D13
CL21A Ball catch	D13
CL22 Ball catch	D13
325 Magnetic catch	D14
326 Magnetic catch, dual double pole	D14
327 Magnetic catch, dual triple pole	D14
330 Roller catch	D15
335 Roller catch	D15
336 Roller catch	D15
345 Ball catch, adjustable	D16
347 Ball catch, dual adjustable - square corners	D16
349 Ball catch, dual adjustable - rounded corners	D17
2 Elbow Catch	D17



A
Hinges & pivots

B
Pulls & plates

C
Flush bolts & coordinators

D1
Latches, catches & bolts

E
Stops

F
Exterior hardware

G
Miscellaneous hardware



SB360 Surface bolt

- Surface bolt has 1-1/4" throw for maximum security
- Jimmy-resistant design, bolt locks automatically when thrown, can be released only by pressing knob toward door while retracting
- Ideal for all types of doors
- Available in 12" length
- Unit locks in both the up and down position
- Accepts padlock (not furnished) with maximum 3/8" diameter shackle, minimum 1-3/4" shackle opening height
- Units packed with one-way wood screws for added security
 - Standard wood screws also supplied
- Units packed with a universal top strike (US)

Certifications

- Meets ANSI A156.16
- UL listed for 3 hour fire doors, up to 10'0"
- Miami Dade County NOA listed
- Florida Building Commission listed
- FEMA 361 and 320 listed

Dimensions

- Bar: 3/4" wide x 3/4" thick
- Overall width: 2-1/32"
- Overall projection: 2-1/16"
- Top Strike: 1-1/2" wide x 1-1/2" long x 3/16" thick
- Available mortise strike: 1-5/8" wide x 3-1/2" long x 1/8" thick

Material substrate

- Heavy duty steel

Available accessory items

- Through bolt
- Mortise bottom strike (MS)

Finishes

BHMA	Description	Substrate	Finish
604	Clear zinc	Steel	US2C



SB453 Surface bolt

- Surface bolt has 1-3/16" throw for maximum security
- Strong tension springs prevent creep
- Ideal for all types of doors
- Available 8" & 12" lengths
- Units packed with standard wood screws and machine screws to meet most field conditions
- Units packed with both a universal top strike (US) and a mortise bottom strike (MS)

Certifications

- Meets ANSI A156.16 L84161
- UL listed for 3 hour fire doors, up to 10'0"

Dimensions

- Bar: 3/4" wide x 1/4" thick
- Overall width: 2-1/32"
- Overall projection: 1-5/16"
- Top Strike: 1-1/2" wide x 1-1/2" long x 3/16" thick
- Bottom strike: 1-5/8" wide x 3-1/2" long x 1/8" thick

Material substrate

- Heavy duty steel

Available accessory items

- Through bolt
- Through bolts (machine screws with cap nuts) not intended for use as security screws

Finishes

BHMA	Description	Substrate	Finish
604	Clear zinc	Steel	US2C
632*	Bright brass	Steel	US3
633*	Satin brass	Steel	US4
639	Satin bronze	Steel	US10
640	Oil rubbed bronze	Steel	US10B
643e/716	Aged bronze	Steel	643e/716
646	Satin nickel	Steel	US15
652	Satin chrome	Steel	US26D
631	Matte black	Steel	BLK

* Only available in 8" bolt length. For other colors, consult factory.



Universal top strike

Flat bottom strike

SB1630 Surface bolt
SB1640 Surface bolt

- Standard surface bolt has 1" throw for maximum security
- Ideal for all types of doors
- Fully concealed mounting prevents vandalism
- Units packed with wood and machine screws to meet most field conditions
- Comes end plug and end plug stud package
- Available in locking version. Unit locks in both the up and down position. Locking bolts are furnished with 2 keys in 4 keying variations

Certifications

- 1630 Meets ANSI A156.16 L84161 and UL listed for 3 hour fire doors, up to 8'0"
- 1640 Meets ANSI A156.16 L24161

Material substrate

- 1630 Series is constructed of heavy duty steel
- 1640 Series is constructed of brass

Available options

Strike options

- T** Top strike only
 - B** Bottom strike only
 - TB** Top and bottom strike*
 - TL** Locking bolt with top strike only
 - BL** Locking bolt with bottom strike only
 - TBL** Locking bolt with top and bottom strike*
- * Available on SB1630 Only

Available accessory items

- Security pin screw
- Through bolts available
- End plug and end plug stud package
- Cylinder package
- Replacement strike packages

SB1630 Finishes

BHMA	DESC	SUBSTRATE	Finish
603	Clear zinc	Steel	US2G
640	Oil rubbed bronze	Steel	US10B
652	Satin chrome	Steel	US26D

SB1640 Finishes

605	Bright brass	Brass	US3
613	Oil rubbed bronze	Brass	US10B
626	Satin chrome	Brass	US26D

For other colors, consult factory.

Dimensions

- Body: 8" long x 7/8" wide x 3/4" thick,
- Overall knob or lock housing projection: 1-1/2"
- Top strike: 1-1/4" wide x 7/8" tall x 15/16" deep
- Bottom strike: 3" long x 1" wide x 1/8" thick

Key code

- 1289 Standard key code
- 1360
- 1390
- 1395

Hinges & pivots **A**

Pulls & plates **B**

Flush bolts & coordinators **C**

Latches, catches & bolts **D3**

Stops **E**

Exterior hardware **F**

Miscellaneous hardware **G**



SB1600M1 Surface bolt
SB1600M2 Surface bolt

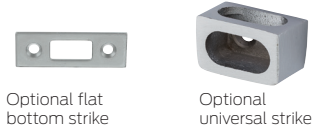
- Standard surface bolt has 3-1/2" throw for maximum security and for doors with larger undercuts
- Sleek handle design
- Ideal for all types of doors
- Fully concealed mounting prevents vandalism
- Available in locking version. Unit locks in both the up and down position. Locking bolts are furnished with 2 keys in 4 keying variations
- Units packed with wood and machine screws to meet most field conditions
- M1 version has Actuator tab pointing away from the door
- M2 version has Actuator tab pointing towards the door

Certifications

- Meets ANSI A156.16 L84161 and UL Listed for 3 hour fire doors, up to 8'0"

Material substrate

- Constructed of heavy duty steel



Available options

- Strike options
- **T** Top strike only
 - **B** Bottom strike only
 - **TL** Top locking strike only
 - **BL** Bottom locking strike only

Dimensions

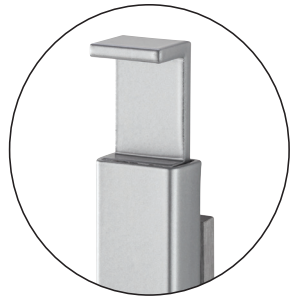
- Bar: 11" long x 3/4" wide x 3/4" thick, locking version 1-1/2" thick
- Top strike: 1-1/4" wide x 7/8" tall x 15/16" deep
- Bottom strike: 3" long x 1" wide x 1/8" thick

Key code

- 1289 Standard key code
- 1360
- 1390
- 1395

Available accessory items

- Security pin screw
- Through bolts available
- End plug and end plug stud package
- Cylinder package
- Replacement strike packages



SB1630 Finishes

BHMA	DESC	SUBSTRATE	Finish
689	Aluminum painted	Steel	SP28
691	Dull bronze painted	Steel	SP10
695	Dark bronze painted	Steel	SP313
706	Dull brass painted	Steel	SP4
631	Matte black	Steel	BLK

For other colors, consult factory.

Hinges & pivots
A

Pulls & plates
B

Flush bolts & coordinators
C

Latches, catches & bolts
D5

Stops
E

Exterior hardware
F

Miscellaneous hardware
G



40 Surface bolt, decorative light duty

- Recommended for 1-3/8" and 1-3/4" hollow core doors or door partitions
- Concealed screw design enhances appearance and security
- Exceptional strength and durability provided by interlocking construction of heavy gauge track and rod
- Permanent stop prevents rod disengagement from track
- Tension spring holds bolt in desired position
- Track assures smooth operation and interlocks with side edges of rod to eliminate marring
- Decorative 5/8" diameter knob designed to facilitate bolt operation
- Available in 3", 4" and 6" lengths
- Units packed with wood screws
- Packed with both universal and mortise strikes

Certifications

- Meets ANSI/BHMA A156.16

Dimensions

- Throw: 11/16"
- Projection: 3/4"
- Width: 11/16"
- Length: 3", 4" or 6"

Material substrate

- Made from extruded brass

Finishes

BHMA	Description	Substrate	Finish
605	Bright brass	Brass	B3
609	Blackened brass	Brass	B5
613	Oil rubbed bronze	Brass	B10B
619	Satin nickel	Brass	B15
625	Bright chrome	Brass	B26
626	Satin chrome	Brass	B26D
643e/716	Aged bronze	Brass	643e/716
622	Matte black	Brass	BLK

For other colors, consult factory.



Universal strike



Mortise strike



253 Surface bolt, decorative heavy duty

- Recommended for 1.3/4" or larger doors
- Heavy duty, decorative bolt ideal where extra strength required
- Decorative 1-1/4" diameter knob fits well with any décor and designed to facilitate bolt operation
- Available in 8" and 12" lengths. Optional lengths available, consult factory.
- Units packed with wood screws
- Packed universal strike (US) & mortise strike (MS)

Certifications

- Meets ANSI/BHMA A156.16

Dimensions

- Throw: 1-1/8"
- Projection: 1-5/16"
- Half round rod: 5/8"
- Overall width: 1-5/8"
- Length: 8" or 12"

Material substrate

- Made from solid brass

Finishes

BHMA	Description	Substrate	Finish
605	Bright brass	Brass	B3
613	Oil rubbed bronze	Brass	B10B
626	Satin chrome	Brass	B26D

For other colors, consult factory.



Universal strike



Mortise strike

A
Hinges & pivots

B
Pulls & plates

C
Flush bolts & coordinators

D6
Latches, catches & bolts

E
Stops

F
Exterior hardware

G
Miscellaneous hardware



Standard strike



Mortise strike



Universal strike

054 Dutch door bolt

- Practical, rugged, attractive bolt for application on dutch doors as well as other areas
- Chamfered rod end draws the two leaves of door tightly together
- Sufficient tolerance provided in strike opening to allow for misalignment of door leaves and also prevents binding of bolt
- Decorative 1" diameter knob designed to facilitate bolt operation
- Units packed with wood screws
- Packed with Standard Strike (SS), Mortise Strike (MS) and Universal Strike (US)

Certifications

- Meets ANSI/BHMA A156.16

Material substrate

- Made from solid brass

Dimensions

- Throw: 5/8"
- Projection: 1-1/8"
- Half round rod: 5/8"
- Overall width: 1-5/8"
- Rod length: 4-1/4"
- Overall length: specify 4-3/8" (including knob)

Finishes

BHMA	Description	Substrate	Finish
605	Bright brass	Brass	B3
606	Satin brass	Brass	B4
612	Satin bronze	Brass	B10
613	Oil rubbed bronze	Brass	B10B
619	Satin nickel	Brass	B15
625	Bright chrome	Brass	B26
626	Satin chrome	Brass	B26D

For other colors, consult factory.

S48 Mortise door bolt

- Brass oval turn knob and escutcheon
- Steel bolt for extra strength
- Rack is milled for precision fit with pinion
- Units packed with wood screws

Certifications

- Meets ANSI/BHMA A156.16

Material substrate

- Made from brass and steel

Dimensions

- Backset: 1-3/4"
- Bolt throw: 1/2"
- Bolt diameter: 1/2"
- Case: 2-1/2" long x 9/16" diameter
- Strike: 1-3/4" high x 7/8" wide

Finishes

BHMA	Description	Substrate	Finish
605	Bright brass	Brass	B3
609	Blackened brass	Brass	B5
613	Oil rubbed bronze	Brass	B10B
619	Satin nickel	Brass	B15
625	Bright chrome	Brass	B26
626	Satin chrome	Brass	B26D

For other colors, consult factory.





481 Chain door guard

- Permits the door to be slightly opened to allow viewing
- Narrow chain holder maintains chain in stationary position when door guard is not in use, eliminating marring of door and frame caused by dangling chain
- Welded twist link steel chain finished to match door plate and chain holder
- Packed with sheet metal screws

Certifications

- Meets ANSI/BHMA A156.16

Material substrate

- Made from wrought brass or burnished wrought steel

Dimensions

- Door plate: 3-3/8" long x 1-3/8" wide
- Chain holder: 2" high x 3/4" wide
- Chain length: 6-1/4"

Finishes - Brass and steel

BHMA	Description	Substrate	Finish
605	Bright brass	Brass	B3
626	Satin chrome	Brass	B26D
632	Bright brass	Steel	F3
633	Satin brass	Steel	F4
638	Blackened brass	Steel	F5
639	Satin bronze	Steel	F10
643e/716	Aged bronze	Steel	F-643e/716
646	Satin nickel	Steel	F15
651	Bright chrome	Steel	F26
652	Satin chrome	Steel	F26D
631	Matte black	Steel	F-BLK

For other colors, consult factory.

Hinges & pivots **A**

Pulls & plates **B**

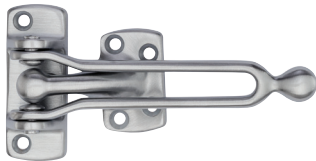
Flush bolts & coordinators **C**

Latches, catches & bolts **D7**

Stops **E**

Exterior hardware **F**

Miscellaneous hardware **G**



Cast brass

482 Solid bar door guard

- For use on doors that are flush with frames
- The solid bar, interlocking with the ball on the strike plate, permits the door to be slightly opened to allow viewing
- The hinged bar allows the door guard to be positioned 180° away from the door when not in use
- Edge protection plate, furnished with cast brass door guards only, minimizes the chance for marring the door or frame. Can be purchased as a separate item for Aluminum substrate
- Strike plate is designed to prevent the solid bar from marring the inside of the door when in use
- Packed with sheet metal screws

Certifications

- Meets ANSI/BHMA A156.16

Material substrate

- Made from cast brass or cast zinc

Available accessory items

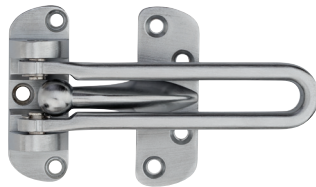
- Shims available in US26D (626) only, 1/8" or 3/8" for brass only
- Plate - edge protection

Dimensions - Cast brass

- Strike plate: 2-5/8" high x 1-1/32" wide
- Holder: 1-3/4" high x 1-1/16" wide
- Arm length: 4-3/4"
- Edge guard: 1-1/8" high x 1-1/32" wide

Dimensions - Cast zinc

- Strike plate: 2-1/2" high x 7/8" wide
- Holder: 2-1/2" high x 15/16" wide
- Arm length: 3-13/16"



Cast zinc

Finishes Brass

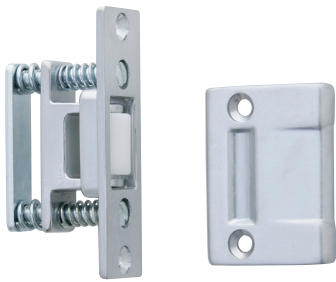
BHMA	Description	Substrate	Finish
605	Bright brass	Brass	B3
606	Satin brass	Brass	B4
612	Satin bronze	Brass	B10
613	Oil rubbed bronze	Brass	B10B
619	Satin nickel	Brass	B15
625	Bright chrome	Brass	B26
626	Satin chrome	Brass	B26D
643e/716	Aged bronze	Brass	B-643e/716
622	Matte black	Brass	B-BLK

Finishes Zinc

BHMA	Description	Substrate	Finish
677	Bright brass	Zinc	Z605E
---	Blackened brass	Zinc	Z609E
681	Bright chrome	Zinc	Z625E
682	Satin chrome	Zinc	Z626E

For other colors, consult factory.

A	Hinges & pivots
B	Pulls & plates
C	Flush bolts & coordinators
D8	Latches, catches & bolts
E	Stops
F	Exterior hardware
G	Miscellaneous hardware



RL30 Roller latch RL30A Roller latch

- Recommended for higher traffic applications
- Actuation is simple, closing of the door causes the roller to fall in the depression of the strike, thereby holding the door closed
- The projection of the roller is easily adjusted using adjusting screws on the face of the unit
- Maximum projection of the roller is 3/8" allowing for variance in the door clearance
- Nylon roller standard
- Units packed with wood and machine screws to meet most field conditions
- RL30A model packed with ASA strike

Certifications

- Meets ANSI/BHMA A156.16, E19091

Available accessory items

- Strike - ASA
- Security mounting screws
- Silencers

- Body: 1-1/8" wide x 2-1/4" high x 2-1/4" deep
- Strike: 1-1/8" wide x 2-3/4" high x 3/32" thick, lip to center- 1-1/4"
- Optional ASA strike: 1-1/4" wide x 4-7/8" high x 3/32" thick, lip to center- 1-1/4"

Material substrate

- Made from forged brass

Dimensions Finishes

BHMA	Description	Substrate	Finish
605	Bright brass	Brass	US3
606	Satin brass	Brass	US4
612	Satin bronze	Brass	US10
613	Oil rubbed bronze	Brass	US10B
619	Satin nickel	Brass	US15
625	Bright chrome	Brass	US26
626	Satin chrome	Brass	US26D
643e/716	Aged bronze	Brass	643e/716
622	Matte black	Brass	BLK

For other colors, consult factory.

RL32 Roller latch RL32A Roller latch

- Recommended light duty cabinet and closet applications
- Actuation is simple, closing of the door causes the roller to fall in the depression of the strike, thereby holding the door closed
- The projection of the roller is easily adjusted by turning knurled knob on back of latch.
- Maximum projection of the roller is 1/2" allowing for variance in the door clearance
- Fits heavy-duty cylindrical lock cutout
- Nylon roller standard
- Non-handed
- Units packed with wood screws
- RL32A model packed with ASA strike

Certifications

- Meets ANSI/BHMA A156.16, E19091

Available accessory items

- Strike—ASA

Material substrate

- Made from brass

Dimensions

- Body: 1-1/8" wide x 2-1/4" high x 2-1/4" deep
- Strike: 1-1/8" wide x 2-3/4" high x 3/32" thick, lip to center - 1-1/4"
- Optional ASA strike: 1-1/4" wide x 4-7/8" high x 3/32" thick, lip to center- 1-1/4"

Finishes

BHMA	Description	Substrate	Finish
605	Bright brass	Brass	US3
606	Satin brass	Brass	US4
612	Satin bronze	Brass	US10
613	Oil rubbed bronze	Brass	US10B
619	Satin nickel	Brass	US15
625	Bright chrome	Brass	US26
626	Satin chrome	Brass	US26D
643e/716	Aged bronze	Brass	643e/716
622	Matte black	Brass	BLK

For other colors, consult factory.



RL36 Roller latch
RL36A Roller latch

- Recommended light duty cabinet and closet applications
- Actuation is simple, closing of the door causes the roller to fall in the depression of the strike, thereby holding the door closed
- The projection of the roller is easily adjusted by turning slotted screw on back of latch
- Maximum projection of the roller is 5/16" allowing for variance in the door clearance
- Fits cylindrical lock cutout
- Nylon roller
- Non-handed
- Units packed with wood screws
- RL36A model packed with ASA strike

Certifications

- Meets ANSI/BHMA A156.16, L57082

Material substrate

- Made from stainless steel

Available accessory items

- Strike—ASA

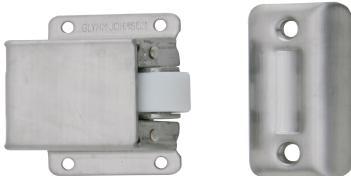
Finishes

BHMA	Description	Substrate	Finish
630	Satin stainless	Stainless steel	US32D

For other colors, consult factory.

Dimensions

- Body: 1" wide x 2-1/4" high x 2" deep
- Strike: 1-1/8" wide x 2-3/4" high x 3/32" thick, lip to center- 1-1/4"
- Optional ASA strike: 1-1/4" wide x 4-7/8" high x 3/32" thick, lip to center- 1-1/4"



RL38 Roller latch

- Rim style roller latch
- Actuation is simple, closing of the door causes the roller to fall in the depression of the strike, thereby holding the door closed
- The projection of the roller is easily adjusted by turning slotted screw
- Maximum projection of the roller is 3/8" allowing for variance in the door clearance
- Nylon roller
- Non-handed
- Units packed with wood screws

Certifications

- Meets ANSI/BHMA A156.16, L27092

Material substrate

- Made from stainless steel

Finishes

BHMA	Description	Substrate	Finish
630	satin stainless	Stainless steel	US32D

For other colors, consult factory.

Dimensions

- Body: 1-3/8" wide x 2" high x 7/8" deep
- Strike: 1" wide x 2-1/8" high x 3/8" deep

A Hinges & pivots

B Pulls & plates

C Flush bolts & coordinators

D9 Latches, catches & bolts

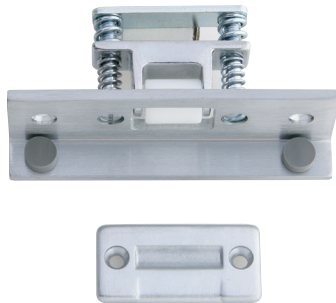
E Stops

F Exterior hardware

G Miscellaneous hardware

IVES® Roller latches

A Hinges & pivots
 B Pulls & plates
 C Flush bolts & coordinators
D10 Latches, catches & bolts
 E Stops
 F Exterior hardware
 G Miscellaneous hardware



RL1152 Roller latch

- Recommended for higher traffic applications
- Combination of RL30 Roller Latch and Angle Stop
- Actuation is simple, closing of the door causes the roller to fall in the depression of the strike, thereby holding the door closed
- The projection of the roller is easily adjustable using adjusting screws on the face of the unit
- Maximum projection of the roller is 3/8" allowing for variance in the door clearance
- Nylon roller standard
- Forged brass construction
- Units packed with wood screws

Certifications

- Meets ANSI/BHMA A156.16, E19111

Material substrate

- Made from forged brass

Available accessory items

- Security mounting screws
- Brass roller
- Silencers

Dimensions

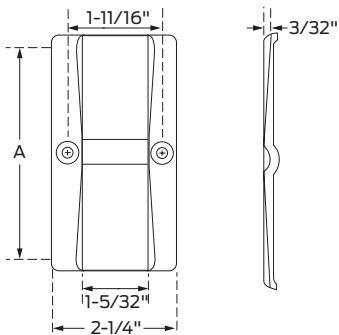
- Body: 1-1/2" wide x 4-1/2" high x 1-3/4" deep with 3/4" angle
- Strike: 1-1/8" wide x 2-1/4" high x 5/32" thick

Finishes

BHMA	Description	Substrate	Finish
605	Bright brass	Brass	US3
606	Satin brass	Brass	US4
612	Satin bronze	Brass	US10
613	Oil rubbed bronze	Brass	US10B
619	Satin nickel	Brass	US15
625	Bright chrome	Brass	US26
626	Satin chrome	Brass	US26D
643e/716	Aged bronze	Brass	643e/716
622	Matte black	Brass	BLK

For other colors, consult factory.

IVES® Optional Strikes



STK685

STK685 Strike

- Dimple of strike centered on strike

STK685L Strike

- Location of strike dimple is variable
- Please specify location of dimple from edge of frame to centerline of the dimple - B
 Dimple will be located B + 3/16" to accommodate lip

Both strikes:

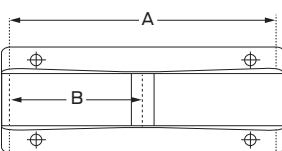
- Custom make strike for doors that swing both directions
- For use with roller latches
- Specify frame depth - A. Overall strike length will be A + 3/8" to accommodate 3/16" lip on each side
- Units packed with wood and machine screws to meet most field conditions

Material substrate

- Made from 3/32" brass

Dimensions

- Strike width: 2-1/4"
- Strike length: specified frame width + 3/8"



STK685L

Finishes

BHMA	Description	Substrate	Finish
605	Bright brass	Brass	US3
606	Satin brass	Brass	US4
612	Satin bronze	Brass	US10
613	Oil rubbed bronze	Brass	US10B
625	Bright chrome	Brass	US26
626	Satin chrome	Brass	US26D

For other colors, consult factory.



AS895 Angle stop

- Surface applied stop for single doors
- Large rubber bumper to ensure quiet operation
- Units packed with wood and machine screws to meet most field conditions

Material substrate

- Made from 1/8" brass

Dimensions

- 1-1/2" wide x 1" angle x 2-1/2" long

Available accessory items

- Security pin screws

Finishes

BHMA	Description	Substrate	Finish
605	Bright brass	Brass	US3
606	Satin brass	Brass	US4
612	Satin bronze	Brass	US10
613	Oil rubbed bronze	Brass	US10B
625	Bright chrome	Brass	US26
626	Satin chrome	Brass	US26D

For other colors, consult factory.



AS18 Angle stop

- Surface applied stop for single and double doors
- Includes SR64 door silencers to ensure quiet operation
- SR64 silencers are replaceable
- Units packed with wood and machine screws to meet most field conditions

Material substrate

- Made from 3/16" brass

Dimensions

- 1-1/2" wide x 3/4" angle x 3-1/2" long

Available accessory items

- Security pin screws

Finishes

BHMA	Description	Substrate	Finish
605	Bright brass	Brass	US3
606	Satin brass	Brass	US4
612	Satin bronze	Brass	US10
613	Oil rubbed bronze	Brass	US10B
625	Bright chrome	Brass	US26
626	Satin chrome	Brass	US26D

For other colors, consult factory.

A
Hinges & pivots

B
Pulls & plates

C
Flush bolts & coordinators

D11
Latches, catches & bolts

E
Stops

F
Exterior hardware

G
Miscellaneous hardware

A	Hinges & pivots
B	Pulls & plates
C	Flush bolts & coordinators
D12	Latches, catches & bolts
E	Stops
F	Exterior hardware
G	Miscellaneous hardware



CL11 Invisible latch

- Invisible latch is ideal for installations where no visible latch or strike is desired
- Unit can be installed at the top, bottom or side of the door
- Can be mortised into the stop or surface mounted to the stop
- Recommended for use on small panels, cabinet doors or light weight closet doors
- Operation is simple, latching is accomplished by a slight push
- To unlatch the door, a harder push releases the door and pushes the door out
- Brass and plastic construction
- Applies 13 pounds to open the door
- Units packed with wood screws

Certifications

- Meets ANSI/BHMA A156.9, B03272

Material substrate

- Made from brass and plastic

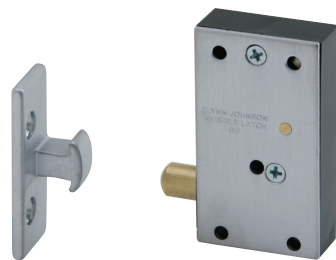
See finishes below

Available accessory items

- Security pin screws

Dimensions

- Body: 1-1/4" wide x 1-7/8" high x 7/16" thick
- Strike: 9/16" wide x 1-5/16" high x 9/16" projection



CL12 Invisible latch

- Invisible latch is ideal for installations where no visible latch is desired
- Unit can be installed at the top, bottom or side of the door
- Can be mortised into the stop or surface mounted to the stop
- Recommended for use on larger panels or regular size doors
- Operation is simple, latching is accomplished by a slight push
- To unlatch the door, a harder push releases the door and pushes the door out
- Brass and plastic construction
- Applies 27 pounds to open the door
- Units packed with wood screws

Certifications

- Meets ANSI/BHMA A156.9, B03272

Material substrate

- Made from brass and plastic

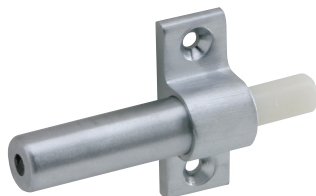
See finishes below

Available accessory items

- Security pin screws

Dimensions

- Body: 1-1/4" wide x 2-1/4" high x 9/16" thick
- Strike: 5/8" wide x 1-13/16" high x 9/16" projection



CL14 Invisible latch, auxiliary pusher

- Aid in the operation of the CL11 and CL12 where hinges or surrounding conditions prevent smooth operation of doors
- Provides 1-1/16" throw
- Nylon pusher
- Applies 10 pounds to open the door
- Units packed with wood screws

Certifications

- Meets ANSI/BHMA A156.9, B13282

Material substrate

- Made from brass

See finishes below

Available accessory items

- Security pin screws

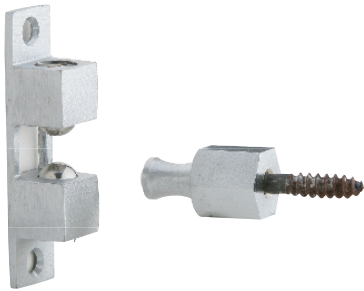
Dimensions

- Body: 2-15/16" long x 1-11/16" wide x 5/8" deep

CL11, CL12 and CL14 Finishes

BHMA	Description	Substrate	Finish
605	Bright brass	Brass	US3
606	Satin brass	Brass	US4
612	Satin bronze	Brass	US10
626	Satin chrome	Brass	US26D

For other colors, consult factory.



CL21 Ball catch

- Four-way catch with hexagon stud
- Ideal for holding medium duty doors
- The strike slides between two stainless steel balls that are under spring tension. As the strike engages, the door is held tightly shut
- Strike can enter body from any direction
- Spring tension is easily adjusted to suit field conditions
- Body can be surface applied or mortised
- Units packed with wood screws

Certifications

- Meets ANSI/BHMA A156.9

Material substrate

- Made from brass

Available accessory items

- Security pin screws

Dimensions

- Body: 3/4" wide x 3" high x 3/4" deep
- Strike: 3/4" wide hex x 1-1/2" high

Finishes

BHMA	Description	Substrate	Finish
626	Satin chrome	Brass	US26D

For other colors, consult factory.

CL21A Ball catch



- Four-way catch with plate type strike
- Ideal for closet doors, access doors, hinged openings and numerous other applications
- The strike slides between two stainless steel balls that are under spring tension. As the strike engages, the door is held tightly shut
- Strike can enter body from any direction
- Spring tension is easily adjusted to suit field conditions
- Body can be surface applied or mortised
- Units packed with wood screws

Certifications

- Meets ANSI/BHMA A156.9, B13292

Material substrate

- Made from brass

See finishes below

Available accessory items

- Security pin screws

Dimensions

- Body: 3/4" wide x 3" high x 3/4" deep
- Strike: 7/16" wide x 1-3/4" high x 7/8" deep

CL22 Ball catch



- Three-way catch with plate type strike.
- Ideal for smaller cabinet doors or panels.
- The strike slides between two stainless steel balls that are under spring tension. As the strike engages, the door is held tightly shut.
- Strike can enter body from either side or front.
- Spring tension is easily adjusted to suit field conditions.
- Body can be surface applied or mortised.
- Units packed with wood screws

Certifications

- Meets ANSI/BHMA A156.9, B13302

Material substrate

- Made from brass

See finishes below

Available accessory items

- Security pin screws

Dimensions

- Body: 1/2" wide x 2-3/16" high x 1/2" deep
- Strike: 3/8" wide x 1-3/8" high x 5/8" deep

CL21A and CL 22 Finishes

BHMA	Description	Substrate	Finish
605	Bright brass	Brass	US3
606	Satin brass	Brass	US4
612	Satin bronze	Brass	US10
625	Bright chrome	Brass	US26
626	Satin chrome	Brass	US26D

For other colors, consult factory.

A
Hinges & pivots

B
Pulls & plates

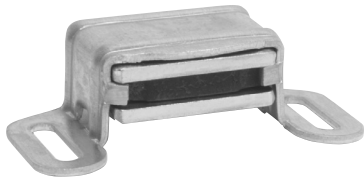
C
Flush bolts & coordinators

D13
Latches, catches & bolts

E
Stops

F
Exterior hardware

G
Miscellaneous hardware



325 Magnetic catch

- Double pole
- Self-aligning magnet ensures maximum pull
- Case design allows easy magnet adjustment on cabinet or small door applications.
- Packed with sheet metal screws
- 5 lbs. load capacity

Certifications

- Meets ANSI/BHMA A156.9, B43171

Dimensions

- Case: 1-1/8" wide x 2-1/16" long x 5/8" thick

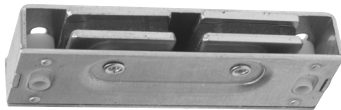
Material substrate

- Case made from aluminum

Finishes

BHMA	Description	Substrate	Finish
666	Bright brass	Aluminum	A3
673	Aluminum clear coat	Aluminum	A92

For other colors, consult factory.



326 Magnetic catch, dual double pole

- Dual double pole
- Self-aligning magnets ensure maximum pull
- Can be surface mounted or mortised
- Packed with sheet metal screws, 2 short strikes and 1 long strike
- 9 lbs. load capacity

Certifications

- Meets ANSI/BHMA A156.9, B43161

Dimensions

- Case: 1" wide x 3-1/8" long x 9/16" thick

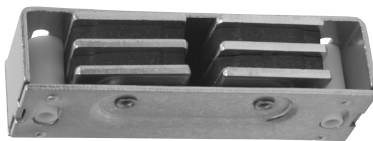
Material substrate

- Case made from aluminum

Finishes

BHMA	Description	Substrate	Finish
666	Bright brass	Aluminum	A3
673	Aluminum clear coat	Aluminum	A92

For other colors, consult factory.



327 Magnetic catch, dual triple pole

- Dual triple pole
- Self-aligning magnets insure maximum pull
- Can be surface mounted or mortised.
- Packed with sheet metal screws, 2 short strikes and 1 long strike
- 14 lbs. load capacity

Certifications

- Meets ANSI/BHMA A156.9, B43161

Dimensions

- Case: 1" wide x 3-1/8" long x 3/4" thick

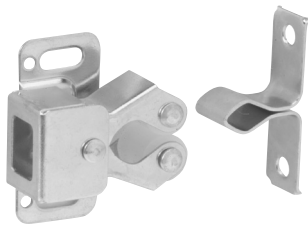
Material substrate

- Case made from aluminum

Finishes

BHMA	Description	Substrate	Finish
666	Bright brass	Aluminum	A3
673	Aluminum clear coat	Aluminum	A92

For other colors, consult factory.



330 Roller catch

- Most economical solution recommended for low frequency opening applications
- Independent rollers allow positive action and self-alignment
- Cushioned rollers absorb shock and noise, hold door away from cabinet
- Application allows for easy adjustment
- Packed with screws and brads

Certifications

- Meets ANSI/BHMA A156.9, B83071

Dimensions

- Case: 1-1/4" high x 11/16" wide
- Strike: 1-1/4" high x 3/8" wide

Material substrate

- Made from wrought steel

Finishes

BHMA	Description	Substrate	Finish
604	Clear zinc	Steel	F2C

For other colors, consult factory.



335 Roller catch

- Recommended for higher frequency opening applications
- Smooth, positive latching action insured by powerful conical spring
- Durable nylon roller insures quiet operation
- Adjustable tension. Adjustments can be varied from 4 to 17 lbs. of holding power making possible a wide range of door performance
- Easily installed on thin doors
- Full lip style strike designed for simplified mortising
- Packed with sheet metal screws

Certifications

- Meets ANSI/BHMA A156.16, L27081 for brass

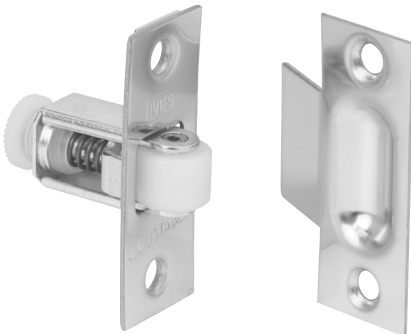
Dimensions

- Face plate: 7/8" wide x 2-1/4" high
- Bore: 1-3/4" deep x 13/16" diameter
- Strike: 1-5/8" wide x 2-1/4" high, lip to center- 1-3/16"

Material substrate

- Made from wrought brass

See finishes below



336 Roller catch

- Recommended for higher frequency opening applications
- Smooth, positive latching action insured by powerful conical spring
- Durable nylon roller insures quiet operation
- Adjustable tension. Adjustments can be varied from 4 to 17 lbs of holding power making possible a wide range of door performance
- Easily installed on thin doors
- Standard box type strike designed for neat appearance
- Packed with sheet metal screws

Certifications

- Meets ANSI/BHMA A156.16, L27081 for brass

Dimensions

- Face plate: 7/8" wide x 2-1/4" high
- Bore: 13/16" diameter x 1-3/4" deep
- Strike: 7/8" wide x 2-1/4" high, lip to center- 1-1/8"

Material substrate

- Made from wrought brass

See finishes below

335 and 336 Finishes

BHMA	Description	Substrate	Finish
605	Bright brass	Brass	B3
606	Satin brass	Brass	B4
609	Blackened brass	Brass	B5
612	Satin bronze	Brass	B10
613	Oil rubbed bronze	Brass	B10B
619	Satin nickel	Brass	B15
625	Bright chrome	Brass	B26
626	Satin chrome	Brass	B26D
643e/716	Aged bronze	Brass	643e/716
622	Matte black	Brass	BLK

For other colors, consult factory.

A
Hinges & pivots

B
Pulls & plates

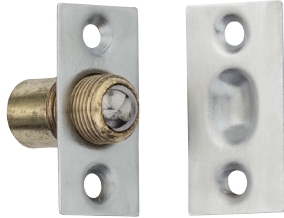
C
Flush bolts & coordinators

D16
Latches, catches & bolts

E
Stops

F
Exterior hardware

G
Miscellaneous hardware



345 Ball catch, adjustable

- Recommended for lower frequency opening applications
- Ideal for cabinets and small interior doors
- Free rolling ball insures smooth, positive and trouble-free action
- Adjustable threaded barrel compensates for various door clearances
- Adjustable spring tension
- Units packed with wood screws

Certifications

- Meets ANSI/BHMA A156.9, B23013

Material substrate

- Made from wrought brass

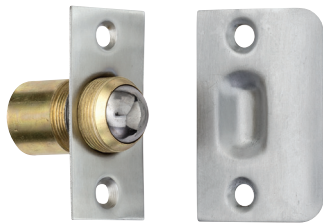
Dimensions

- Face plate: 3/4" wide x 1-1/2" high
- Bore: 1" deep x 9/16" diameter
- Strike: 25/32" wide x 1-1/2" high, lip to center- 13/32"

Finishes

BHMA	Description	Substrate	Finish
605	Bright brass	Brass	US3
609	Blackened brass	Brass	US5
612	Satin bronze	Brass	US10
613	Oil rubbed bronze	Brass	US10B
619	Satin nickel	Brass	US15
625	Bright chrome	Brass	US26
626	Satin chrome	Brass	US26D

For other colors, consult factory.



347 Ball catch, dual adjustable - square corners

- Recommended for lower frequency opening applications
- Ideal for cabinets and small interior doors
- Free rolling ball insures smooth, positive and trouble-free action
- Adjustable threaded barrel compensates for various door clearances
- Adjustable spring tension
- Rounded corners on strike lip for safety
- Units packed with wood screws

Certifications

- Meets ANSI/BHMA A156.9, B23013

Material substrate

- Made from wrought brass

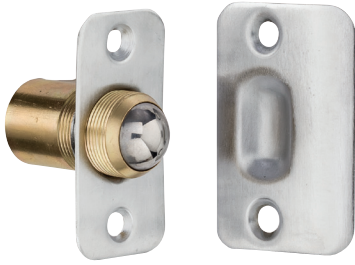
Dimensions

- Face Plate: 1" wide x 2-1/8" high
- Bore: 7/8" diameter x 1-3/8" deep
- Strike: 1-3/8" wide x 2-1/8" high, lip to center- 7/8"

Finishes

BHMA	Description	Substrate	Finish
605	Bright brass	Brass	US3
606	Satin brass	Brass	US3
609	Blackened brass	Brass	US5
612	Satin bronze	Brass	US10
613	Oil rubbed bronze	Brass	US10B
619	Satin nickel	Brass	US15
625	Bright chrome	Brass	US26
626	Satin chrome	Brass	US26D
643e/716	Aged bronze	Brass	643e/716
622	Matte black	Brass	BLK

For other colors, consult factory.



349 Ball catch, dual adjustable - rounded corners

- Recommended for lower frequency opening applications
- For catch in door installations
- Radiused corners allow easy installation with a router
- Dual adjustment for door clearance and holding strength
- Lip strike is designed for use where strike is mounted in jamb
- Free rolling ball insures smooth, positive and trouble-free action
- Adjustable threaded barrel compensates for various door clearances
- Adjustable spring tension
- Rounded corners on strike lip for safety
- Units packed with wood screws

Certifications

- Meets ANSI/BHMA A156.9, B23013

Material substrate

- Made from wrought brass

Dimensions

- Face Plate: 1" wide x 2-1/8" high
- Bore: 7/8" diameter x 1-3/8" deep
- Strike: 1-3/8" wide x 2-1/8" high, lip to center- 7/8"

Finishes

BHMA	Description	Substrate	Finish
605	Bright brass	Brass	US3
606	Satin brass	Brass	US3
609	Blackened brass	Brass	US5
612	Satin bronze	Brass	US10
613	Oil rubbed bronze	Brass	US10B
619	Satin nickel	Brass	US15
625	Bright chrome	Brass	US26
626	Satin chrome	Brass	US26D
643e/716	Aged bronze	Brass	643e/716
622	Matte black	Brass	BLK

For other colors, consult factory.



2 Elbow Catch

- Ideal for use on the inactive leaf of a pair of cabinet doors
- Surface applied, making installation simple
- Spring loaded function - surface applied, making installation simple
- Made from cast aluminum

Certifications

- Meets ANSI/BHMA A156.9 B33023

Dimensions

- Plate: 1-3/8" high x 5/8" wide
- Strike: 13/16" high x 5/8" wide

Finishes - Aluminum

Ives Number	A3	A5	A14	A15	A92	A716
BHMA	666		669	670	673	

A
Hinges & pivots

B
Pulls & plates

C
Flush bolts & coordinators

D17
Latches, catches & bolts

E
Stops

F
Exterior hardware

G
Miscellaneous hardware

A Hinges & pivots
B Pulls & plates
C Flush bolts & coordinators
D18 Latches, catches & bolts
E Stops
F Exterior hardware
G Miscellaneous hardware

Table of contents

Floor stops

FS13 Dome stop..... E2
 R14 Dome stop rise..... E2
 FS17 Dome stop..... E2
 FS436 Dome stop..... E3
 FS438 Dome stop..... E3
 R435 Riser for FS436 Dome stop..... E3
 R437 Riser for FS438 Dome stop..... E3
 FS439 Universal dome floor stop..... E4
 FS410 Decorative floor stop..... E4
 FS18S Floor stop - 1 1/2"..... E5
 FS18L Floor stop - 3 1/2"..... E5
 FS434 Floor stop..... E5
 430 Floor door stop..... E5
 FS441 Floor stop..... E6
 FS444 Floor stop - masonry..... E6
 FS448 Floor stop - drywall/wood..... E6

Floor stops & holders

FS9 Floor stop & semi-automatic holder..... E7
 FS40 Floor stop & automatic holder..... E7
 FS41..... E7
 FS42..... E7
 FS43..... E7
 FS446 Floor stop & manual door holder - masonry..... E8
 FS450 Floor stop & manual door holder - drywall/wood..... E8
 FS495 Wall stop & automatic holder..... E8
 FS496 Floor stop & automatic holder - 3/8" max clearance..... E8
 FS497 Floor stop & automatic holder - 1" max clearance..... E8

Wall stops/bumpers

WS11 Wall stop - drywall/wood..... E9
 WS11X Wall stop - masonry..... E9
 WS20 Manual wall holders - drywall/wood..... E9
 WS20X Manual wall holders - masonry..... E9
 WS33 Wall stops - drywall/wood..... E10
 WS33X Wall stops - masonry..... E10
 WS65 Wall stop..... E10
 WS401/402CVX (Convex) wall bumpers..... E11
 WS401/402CCV (Concave) wall bumpers..... E11
 WS404CVX (Convex) wall bumpers..... E11
 WS406/407CVX (Convex) wall bumpers..... E12
 WS406/407CCV (Concave) wall bumpers..... E12
 411R-W Wall bumper - adhesive..... E12

Wall stops & holders

WS443 Wall stop - masonry..... E13
 WS447 Wall stop - drywall/wood..... E13
 WS445 Manual wall holder - masonry..... E13
 WS449 Manual wall holder - drywall/wood..... E13

Automatic wall holders

WS40 Automatic wall holder..... E14
 WS45 Automatic wall holder - drywall/wood..... E14
 WS45X Automatic wall holder - masonry..... E14

Kick down holders

FS452 Kick down holder..... E15
 FS455 4" Kick down holder..... E16
 FS544 4" Kick down holder..... E16
 FS555 5" Kick down holder..... E16

Plunger type door holders

FS1153 Plunger type door holder..... E17
 FS1154 Plunger type door holder..... E17

Roller bumpers

RB470 Offset roller bumper..... E18
 RB471 4-1/2" Roller bumper..... E18
 RB472 6" Roller bumpers..... E18

Residential door stops

060 3" Flexible door stops..... E19
 061 4" Flexible door stops..... E19
 60 3-3/4" Base door stops..... E20
 61 3-1/8" Base door stops..... E20
 63 Flexible door stops..... E21
 64 Base door stop..... E21
 69 Hinge pin door stops..... E22
 70 Hinge pin door stops..... E23
 72 Hinge pin door stops..... E24
 73 Hinge pin door stops..... E24

Door silencers

SR64 Door silencer - metal..... E25
 SR65 Door silencer - wood..... E25
 SR66 Door silencer - adhesive..... E25

Crash stop

CS115 Crash stop..... E26



A Hinges & pivots
B Pulls & plates
C Flush bolts & coordinators
D Latches, catches & bolts
E1 Stops
F Exterior hardware
G Miscellaneous hardware



FS13 Dome stop

- Standard FS13 for use where no threshold is used
- Heavy-duty cast dome stops constructed of brass
- Unique riser design of R14 (below) allows easy conversion to threshold application
- Units are packed with fasteners sufficient for mounting in all types of floor construction, including concrete
- Replaceable- grey rubber bumper

Certifications

- Meets ANSI/BHMA A156.16, L12141

Material substrate

- Made from cast brass

Available accessory items

- Security pin screws
- Grey rubber bumper

Dimensions

- Overall height: 1"
- Base height: 5/32"
- Base diameter: 1-3/4"

See finishes below



R14 Dome stop rise

- Adapts the FS13 Dome stop to threshold use.

Material substrate

- Made from cast brass

Dimensions

- Riser height: 5/16"
- Base diameter: 1-3/4" round

See finishes below



FS17 Dome stop

- One piece dome stop for use with thresholds
- Heavy-duty cast dome stops constructed of brass
- Units are packed with fasteners sufficient for mounting in all types of floor construction, including concrete
- Grey rubber bumper

Certifications

- Meets ANSI/BHMA A156.16, L12161

Material substrate

- Made from cast brass

Available accessory items

- Security pin screws
- Grey rubber bumper

Dimensions

- Overall height: 1-11/32"
- Base height: 1/2"
- Base diameter: 1-3/4" round

See finishes below

FS13, R14 and FS17 Finishes

BHMA	Description	Substrate	Finish
605	Bright brass	Brass	US3
606	Satin brass	Brass	US4
612	Satin bronze	Brass	US10
613	Oil rubbed bronze	Brass	US10B
625	Bright chrome	Brass	US26
626	Satin chrome	Brass	US26D

For other colors, consult factory.

FS436



FS438



FS436 Dome stop

FS438 Dome stop

- FS436 for doors without threshold
- FS438 for doors with threshold or undercut doors
- Heavy-duty cast dome stops
- Packed with fasteners for light duty masonry and wood applications
- Grey rubber bumper

Certifications

- FS436 Meets ANSI/BHMA A156.16, L12141 for brass and L32141 for aluminum
- FS438 Meets ANSI/BHMA A156.16, L12161 for brass and L32161 for aluminum

Material substrate

- Made from cast brass or aluminum

Available accessory items

- Security pin screws

Dimensions

FS436

- Overall height: 1"
- Base height: 3/16"
- Base diameter: 1-3/4" x 2" oval

FS438

- Overall height: 1-3/8"
- Base height: 9/16"
- Base diameter: 1-3/4" x 2" oval

Finishes - Brass

BHMA	Description	Substrate	Finish
605	Bright brass	Brass	US3
606	Satin brass	Brass	US4
609	Blackened brass	Brass	US5
612	Satin bronze	Brass	US10
613	Oil rubbed bronze	Brass	US10B
619	Satin nickel	Brass	US15
622	Matte black	Brass	BLK
625	Bright chrome	Brass	US26
626	Satin chrome	Brass	US26D
---	Aged bronze	Brass	643e/716

Finishes - Aluminum

BHMA	Description	Substrate	Finish
628	Satin aluminum	Aluminum	US28

For other colors, consult factory.

R435 Riser for FS436 Dome stop

R437 Riser for FS438 Dome stop

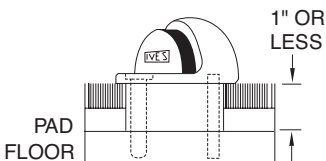
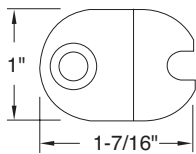
- R435 for conversion of FS436 Dome stop to carpet installation
- R437 For conversion of FS438 Dome stop to carpet installation
- Packed with fasteners for heavy duty masonry and wood applications

Material substrate

- Made from aluminum, mill finish

Dimensions

- Base diameter: 1" X 1-7/16" oval
- Heights: available in 1/4", 3/8", 1/2", 5/8", 3/4" and 1" height



Hinges & pivots **A**

Pulls & plates **B**

Flush bolts & coordinators **C**

Latches, catches & bolts **D**

Stops **E3**

Exterior hardware **F**

Miscellaneous hardware **G**



FS439 Universal dome floor stop

- High or low-rise mount
- Spring-loaded rubber contact
- Packed with fasteners for light duty masonry and wood applications
- Grey rubber bumper

Certifications

- Meets ANSI/BHMA A156.16

Material substrate

- Made from cast zinc or stainless steel

Dimensions

- Overall height: 1-1/2"
- Pad height: 1-1/8"
- Base height: 1/4"
- Base diameter: 1-7/8"

Finishes - Zinc

BHMA	Description	Substrate	Finish
676	Matte black	Zinc	BLK
677	Bright brass	Zinc	US3
678	Satin brass	Zinc	US4
704	Oil rubbed bronze	Zinc	US10B
---	Satin nickel	Zinc	US15
681	Bright chrome	Zinc	US26
682	Satin chrome	Zinc	US26D
---	Aged bronze	Zinc	643e/716

Finishes - Stainless steel

BHMA	Description	Substrate	Finish
630	Satin Stainless	Stainless steel	US32D

For other colors, consult factory.



FS410 Decorative floor stop

- Non-directional
- Packed with fasteners for light duty masonry and wood applications.
- Black rubber ring

Certifications

- Meets ANSI/BHMA A156.16

Material substrate

- Made from cast brass

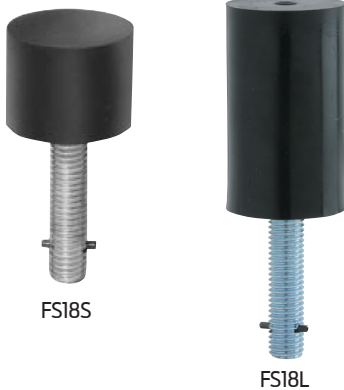
Dimensions

- Overall height: 1-1/2"
- Bumper thickness: 1/4"
- Diameter: 1-1/4"

Finishes

BHMA	Description	Substrate	Finish
605	Bright brass	Brass	US3
619	Satin nickel	Brass	US15
622	Matte black	Brass	BLK
625	Bright chrome	Brass	US26
626	Satin chrome	Brass	US26D
---	Aged bronze	Brass	643e/716

For other colors, consult factory.



FS18S Floor stop - 1 1/2"
FS18L Floor stop - 3 1/2"

- Security door stops designed for use in high vandalism areas
- Molded from black flame resistant, resilient material around a heavy-duty stud
- Once grouted in concrete, leaves no exposed fasteners to be tampered with or removed
- Ideal for jail or security cell areas where floor mounted stops are required
- FS18L also ideal for concrete wall applications

Material substrate

- Made from rubber

Finishes

- Black rubber

Dimensions

- FS18S Height: 1-1/2"
- FS18S Diameter: 2"
- FS18S Stud length: 2-1/2"
- FS18L Height: 3-1/2"
- FS18L Diameter: 2"
- FS18L Stud length: 2-1/2"

FS434 Floor stop



- For undercut doors up to 1-1/2"
- Packed with fasteners for light duty masonry and wood applications
- Soft, resilient black rubber

Material substrate

- Made from wrought steel

Available accessory items

- Replaceable soft, resilient black rubber.

Dimensions

- Overall height: 2-5/8"
- Base size: 1-1/2" W x 2-3/4" L

Finishes

BHMA	Description	Substrate	Finish
604	Zinc Plated	Steel	US2C

430 Floor door stop



- For undercut doors up to 1-1/2".
- Welded wood screws for wood applications.
- White rubber tip

Material substrate

- Made from cast brass and aluminum

Available accessory items

- Replaceable white tips
- Black rubber tips

Dimensions

- Overall height: 1-5/16"
- Base diameter: 1-1/4"

Finishes - Brass

BHMA	Description	Substrate	Finish
605	Bright brass	Brass	US3
606	Satin brass	Brass	US4
609	Blackened brass	Brass	US5
613	Oil rubbed bronze	Brass	US10B
619	Satin nickel	Brass	US15
625	Bright chrome	Brass	US26
626	Satin chrome	Brass	US26D

Finishes - Aluminum

BHMA	Description	Substrate	Finish
666	Bright brass	Aluminum	A3
---	Blackened brass	Aluminum	A5
669	Bright nickel	Aluminum	A14
673	Aluminum clear coat	Aluminum	A92

For other colors, consult factory.

A Hinges & pivots

B Pulls & plates

C Flush bolts & coordinators

D Latches, catches & bolts

E5 Stops

F Exterior hardware

G Miscellaneous hardware



FS441 Floor stop

- Accommodates door undercut up to 1-1/2"
- Designed to blend well with all types of construction and provide a minimum of hindrance to cleaning efforts
- Grey non-marring rubber bumper
- Packed with fasteners for heavy duty masonry and wood applications

Certifications

- Meets ANSI156.16, L12131

Material substrate

- Made from cast brass

Available accessory items

- Replaceable grey non-marring rubber bumper

Dimensions

- Overall height: 2-1/8"
- Overall length: 2-7/8"
- Base depth: 1-5/8"

Finishes - Zinc

BHMA	Description	Substrate	Finish
605	Bright brass	Brass	US3
606	Satin brass	Brass	US4
609	Blackened brass	Brass	US5
612	Satin bronze	Brass	US10
613	Oil rubbed bronze	Brass	US10B
619	Satin nickel	Brass	US15
622	Matte black	Brass	BLK
625	Bright chrome	Brass	US26
626	Satin chrome	Brass	US26D
---	Aged bronze	Brass	643e/716

For other colors, consult factory.

FS444 Floor stop - masonry

FS448 Floor stop - drywall/wood



FS444

- Ideal for interior or exterior use
- Accommodates door undercut up to 2-1/2"
- Replaceable black non-marring rubber tip
- FS444 is packed with fasteners for heavy duty masonry applications
- FS448 is packed with fasteners for drywall/wood applications

Certifications

- FS444 Meets ANSI/BHMA 156.16, L12131 for brass
- FS448 Meets ANSI/BHMA 156.16, L12121 for brass and L32121 for aluminum

Material substrate

- Made from cast brass and aluminum

Dimensions

- Overall height: 3"
- Base diameter: 2-1/2"

Available accessory items

- Replaceable black non-marring rubber bumper

Finishes - Brass

BHMA	Description	Substrate	Finish
605	Bright brass	Brass	US3
606	Satin brass	Brass	US4
609*	Blackened brass	Brass	US5
612	Satin bronze	Brass	US10
613	Oil rubbed bronze	Brass	US10B
619	Satin nickel	Brass	US15
622	Matte black	Brass	BLK
625	Bright chrome	Brass	US26
626	Satin chrome	Brass	US26D
---	Aged bronze	Brass	643e/716

Finishes - Aluminum

BHMA	Description	Substrate	Finish
628*	Satin aluminum	Aluminum	US28

For other colors, consult factory. * Not available on FS444.

A Hinges & pivots
 B Pulls & plates
 C Flush bolts & coordinators
 D Latches, catches & bolts
 E7 Stops
 F Exterior hardware
 G Miscellaneous hardware



FS9 Floor stop & semi-automatic holder

- Semi-automatic floor-mounted holders accommodates with door to floor clearance of 1-1/2" or less
- Activate holder by flipping the engagement tongue forward. When door is opened, the hook (mounted on door) engages the tongue. To release, push firmly on door to disengage tongue
- Packed with fasteners for extra-heavy duty masonry and wood applications

Certifications

- Meets ANSI/BHMA 156.16, L11241

Material substrate

- Made from cast brass

Available accessory items

- Security pin screws
- Replaceable hook package

Dimensions

- Overall height: 3-1/2"
- Base dimensions: 2" wide x 3-1/2" long

Finishes

BHMA	Description	Substrate	Finish
605	Bright brass	Brass	US3
606	Satin brass	Brass	US4
612	Satin bronze	Brass	US10
613	Oil rubbed bronze	Brass	US10B
625	Bright chrome	Brass	US26
626	Satin chrome	Brass	US26D

For other colors, consult factory.



FS40 Floor stop & automatic holder

FS41

FS42

FS43

- Automatic door holders ideal for heavy-traffic situations that require a simple, fool-proof, Hold-open device
- Unit is activated automatically when door is opened. A firm pull on door releases the mechanism
- Strikes accommodate different door to floor clearances
- Model numbers are determined by strike/door-to-floor clearances
- Holder position on door is adjustable
- Packed with fasteners for heavy duty masonry and wood applications

Certifications

- Meets ANSI/BHMA 156.16, L11301

Material substrate

- Made from forged brass

Available accessory items

- Strike Packages

Dimensions

Door to floor clearance:

- FS40 1/2" or less
- FS41 9/16" to 1-1/16"
- FS42 1-1/8" to 1-9/16"
- FS43 1-5/8" to 2-1/16"

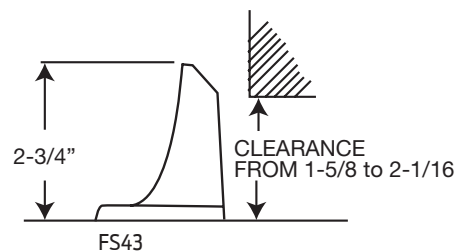
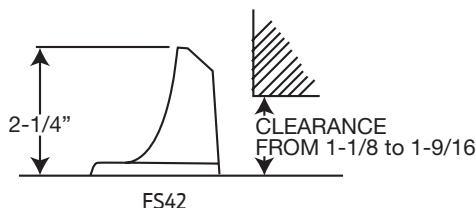
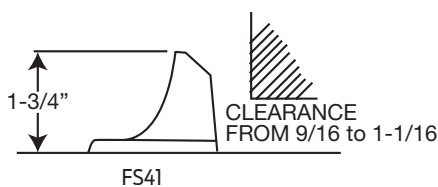
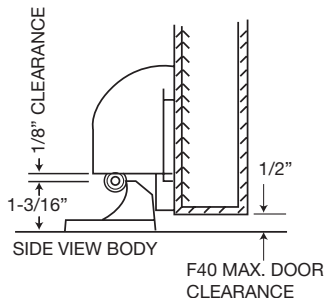
Holder dimensions:

- 3" wide x 3-11/16" high

Finishes

BHMA	Description	Substrate	Finish
605	Bright brass	Brass	US3
606	Satin brass	Brass	US4
612	Satin bronze	Brass	US10
613	Oil rubbed bronze	Brass	US10B
625	Bright chrome	Brass	US26
626	Satin chrome	Brass	US26D

For other colors, consult factory.





FS446

FS446 Floor stop & manual door holder - masonry
FS450 Floor stop & manual door holder - drywall/wood

- Manual type floor holder ideal for interior or exterior use
- Accommodates door undercut up to 2-1/2"
- Replaceable black non-marring rubber tip
- Unit functions as a stop but serves as a hold-open device when hook is manually engaged in strike. Unit requires manual disengagement to release hold-open
- FS446 is packed with fasteners for heavy duty masonry applications
- FS450 is packed with fasteners for drywall/wood applications

Certifications

- FS446 Meets ANSI/BHMA 156.16, L11371 for brass and L31371 for aluminum
- FS450 Meets ANSI/BHMA 156.16, L11361 for brass and L31361 for aluminum

Material substrate

- Made from cast brass and aluminum

Available accessory items

- Replaceable black non-marring rubber bumper

Dimensions

- Overall height: 3-3/4"
- Height from floor to stop center line: 2-5/8"
- Stop diameter: 1-1/16"
- Base diameter: 2-1/12"

Finishes - Brass

BHMA	Description	Substrate	Finish
605	Bright brass	Brass	US3
606	Satin brass	Brass	US4
612	Satin bronze	Brass	US10
613	Oil rubbed bronze	Brass	US10B
619	Satin nickel	Brass	US15
622	Matte black	Brass	BLK
625	Bright chrome	Brass	US26
626	Satin chrome	Brass	US26D
---	Aged bronze	Brass	643e/716

Finishes - Aluminum

BHMA	Description	Substrate	Finish
628	Satin aluminum	Aluminum	US28

For other colors, consult factory.

FS495 Wall stop & automatic holder
FS496 Floor stop & automatic holder - 3/8" max clearance
FS497 Floor stop & automatic holder - 1" max clearance

- Automatic door holders ideal for heavy-traffic situations that require a simple, hold-open device
- Recommended installation is holder on door and strike on wall
- Holder position on door is adjustable
- Holder is tapered to prevent "child riding"
- Packed with fasteners for heavy duty masonry and drywall/wood applications

Certifications

- FS495 Meets ANSI/BHMA 156.16, L11291 for brass
- FS496 Meets ANSI/BHMA 156.16, L11301 for brass
- FS497 Meets ANSI/BHMA 156.16, L11301 for brass

Material substrate

- Made from cast brass

Dimensions

- FS495 Holds door 3-3/4" from wall.
- FS496 Door to floor clearances 3/8" maximum.
- FS497 Door to floor clearances 1" maximum

Finishes

BHMA	Description	Substrate	Finish
605	Bright brass	Brass	US3
606*	Satin brass	Brass	US4
612	Satin bronze	Brass	US10
613	Oil rubbed bronze	Brass	US10B
625	Bright chrome	Brass	US26
626	Satin chrome	Brass	US26D

*For other colors, consult factory. * Not available on FS496 and FS497.*



FS495



WS11

WS11 Wall stop - drywall/wood
WS11X Wall stop - masonry

- Hexagon section on unit aids in fastening unit when expansion shield is used
- Replaceable black rubber bumpers features off-set shoulder and threaded shank that screws into body of unit
- WS11 is packed with fasteners for drywall/wood applications
- WS11X is packed with fasteners for heavy duty masonry applications

Certifications

- WS11 Meets ANSI/BHMA 156.16, L12011
- WS11X Meets ANSI/BHMA 156.16, L12021

Material substrate

- Made from cast brass

Available accessory items

- Security pin screws
- Replaceable black non-marring rubber bumper

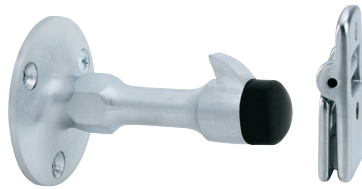
Dimensions

- Base diameter: 2"
- Overall projection: 3-3/4"

Finishes

BHMA	Description	Substrate	Finish
605	Bright brass	Brass	US3
606	Satin brass	Brass	US4
612	Satin bronze	Brass	US10
613	Oil rubbed bronze	Brass	US10B
625	Bright chrome	Brass	US26
626	Satin chrome	Brass	US26D

For other colors, consult factory.



WS20

WS20 Manual wall holders - drywall/wood
WS20X Manual wall holders - masonry

- Hexagon section on unit aids in fastening unit when expansion shield is used
- Replaceable black rubber bumpers feature off-set shoulder and threaded shank that screws into body of holder
- Hinged strike furnished matches body material and finish
- WS20 is packed with fasteners for drywall/wood applications
- WS20X is packed with fasteners for heavy duty masonry applications

Certifications

- WS20 Meets ANSI/BHMA 156.16, L11341 for brass and L31341 for aluminum
- WS20X Meets ANSI/BHMA 156.16, L11351 for brass and L31351 for aluminum

Material substrate

- Made from cast brass or aluminum

Dimensions

- Base diameter: 2-3/8"
- Overall projection: 4"
- Strike height: 2"
- Strike width: 1"

Available accessory items

- Security pin screws
- Replaceable black non-marring rubber bumper

Finishes - Brass

BHMA	Description	Substrate	Finish
605	Bright brass	Brass	US3
606	Satin brass	Brass	US4
612	Satin bronze	Brass	US10
613	Oil rubbed bronze	Brass	US10B
625	Bright chrome	Brass	US26
626	Satin chrome	Brass	US26D

Finishes - Aluminum

BHMA	Description	Substrate	Finish
628	Satin aluminum	Aluminum	US28

For other colors, consult factory.

Hinges & pivots **A**

Pulls & plates **B**

Flush bolts & coordinators **C**

Latches, catches & bolts **D**

Stops **E9**

Exterior hardware **F**

Miscellaneous hardware **G**

A
Hinges & pivots

B
Pulls & plates

C
Flush bolts & coordinators

D
Latches, catches & bolts

E10
Stops

F
Exterior hardware

G
Miscellaneous hardware

WS33

WS33 Wall stops - drywall/wood

WS33X Wall stops - masonry

- Replaceable rubber bumper with offset shoulder screws into cavity on body to prevent loss or theft
- Sloping design discourages vandalism
- WS33 is packed with fasteners for drywall/wood applications.
- WS33X is packed with fasteners for heavy duty masonry applications

Certifications

- WS33 Meets ANSI/BHMA 156.16, L12011
- WS33X Meets ANSI/BHMA 156.16, L12021

Material substrate

- Made from cast brass

Available accessory items

- Security Pin screws
- Replaceable black non-marring rubber bumper

Dimensions

- Base diameter: 2-1/4" wide x 3" high
- Overall projection: 3-3/4"

Finishes

BHMA	Description	Substrate	Finish
626	Satin chrome	Brass	US26D

For other colors, consult factory.



WS65 Wall stop

- Replaceable non-marring white rubber bumper
- Packed with fasteners for wood applications

Material substrate

- Made from cast aluminum

Available accessory items

- Replaceable white non-marring rubber bumper
- Replaceable black non-marring rubber bumper

Dimensions

- Base diameter: 1-5/8"
- Overall projection: 3-3/4"

Finishes

BHMA	Description	Substrate	Finish
666	Bright brass	Aluminum	US3
668	Satin bronze	Aluminum	US10
703	Oil rubbed bronze	Aluminum	US10B
---	Clear satin aluminum	Aluminum	US27

For other colors, consult factory.



WS401CCV & WS402CCV

WS401/402CVX (Convex) wall bumpers
WS401/402CCV (Concave) wall bumpers

- Constructed in heavy-duty cast brass
- Special retainer ring makes rubber tamper resistant
- Grey rubber bumper
- WS401/402CVX – convex rubber bumper, packed with fasteners for drywall/wood applications
- WS401/402CCV – concave rubber bumper which avoids damage to locks with projecting buttons, packed with fasteners for drywall/wood applications

Certifications

- WS401/402CVX Meets ANSI/BHMA 156.16, L12101
- WS401/402CCV Meets ANSI/BHMA 156.16, L12251

Material substrate

- Made from cast brass

Dimensions

- Base diameter: 2-1/2"
- Base thickness: 3/8"
- Overall projection: 1"

Finishes - Brass

BHMA	Description	Substrate	Finish
605	Bright brass	Brass	US3
606	Satin brass	Brass	US4
612	Satin bronze	Brass	US10
613	Oil rubbed bronze	Brass	US10B
619	Satin nickel	Brass	US15
625	Bright chrome	Brass	US26
626	Satin chrome	Brass	US26D

For other colors, consult factory.



WS404CVX (Convex) wall bumpers

- Compact size
- Constructed in cast brass
- Totally concealed mounting discourages vandalism or tampering
- Unit furnished with grey convex rubber bumper
- Packed with fasteners for drywall/wood applications

Material substrate

- Made from cast brass

Dimensions

- Base diameter: 1"
- Overall projection: 17/32"

Finishes - Brass

BHMA	Description	Substrate	Finish
605	Bright brass	Brass	US3
606	Satin brass	Brass	US4
609	Blackened brass	Brass	US5
612	Satin bronze	Brass	US10
613	Oil rubbed bronze	Brass	US10B
619	Satin nickel	Brass	US15
622	Matte black	Brass	BLK
625	Bright chrome	Brass	US26
626	Satin chrome	Brass	US26D
---	Aged bronze	Brass	643e/716

For other colors, consult factory.

Hinges & pivots **A**

Pulls & plates **B**

Flush bolts & coordinators **C**

Latches, catches & bolts **D**

Stops **E11**

Exterior hardware **F**

Miscellaneous hardware **G**



WS406CVX & WS407CVX

WS406/407CVX (Convex) wall bumpers WS406/407CCV (Concave) wall bumpers

- Constructed in sturdy yet economical wrought base of brass or stainless steel construction
- Feature concealed tamper-proof mounting
- Shipped factory preassembled backplate to reduce installation cost
- Easy installation by inserting screwdriver through small hole in rubber
- WS406/407CVX – convex rubber bumper, packed with fasteners for drywall/wood applications
- WS406/407CCV – concave rubber bumper which avoids damage to locks with projecting buttons, packed with fasteners for drywall/wood applications

Certifications

- WS406/407CVX Meets ANSI/BHMA 156.16, L22201 for brass and L52201 for stainless steel
- WS406/407CCV Meets ANSI/BHMA 156.16, L22251 for brass and L52251 for stainless steel

Material substrate

- Made from brass and stainless steel

Dimensions

- Base diameter: 2-1/2"
- Base thickness: 3/8"
- Overall projection: 1"

Finishes - Brass

BHMA	Description	Substrate	Finish
605	Bright brass	Brass	US3
606	Satin brass	Brass	US4
609	Blackened brass	Brass	US5
612	Satin bronze	Brass	US10
613	Oil rubbed bronze	Brass	US10B
619	Satin nickel	Brass	US15
622	Matte black	Brass	BLK
625	Bright chrome	Brass	US26
626	Satin chrome	Brass	US26D
---	Aged bronze	Brass	643e/716

Finishes - Stainless steel

BHMA	Description	Substrate	Finish
630	Stainless steel	Stainless steel	US32D

For other colors, consult factory.



411R-W Wall bumper - adhesive

- Adhesive-backed wall door stop for use on clean, smooth, flat surfaces only
- Non-marring white rubber
- Concave design permits knob to strike stop without damaging or engaging lock mechanism

Material substrate

- Made from rubber

Dimensions

- Base diameter: 1-7/8"
- Base thickness: 3/8"
- Overall projection: 1-1/16"

Finishes

BHMA	Description	Substrate	Finish
---	White	Rubber	R-W



WS443

WS443 Wall stop - masonry
WS447 Wall stop - drywall/wood

- Ideal for interior or exterior use
- Replaceable black non-marring rubber tip
- WS443 is packed with fasteners for heavy duty masonry applications
- WS447 is packed with fasteners for drywall/wood applications

Certifications

- WS443 Meets ANSI/BHMA 156.16, L12021 for brass and L32021 for aluminum
- WS447 Meets ANSI/BHMA 156.16, L12011 for brass and L32011 for aluminum

Material substrate

- Made from cast brass

Dimensions

- Base diameter: 2-1/4"
- Overall projection: 3-11/16"

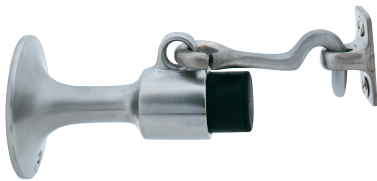
Available accessory items

- Replaceable black non-marring rubber bumper

Finishes - Brass

BHMA	Description	Substrate	Finish
605	Bright brass	Brass	US3
606	Satin brass	Brass	US4
612	Satin bronze	Brass	US10
613	Oil rubbed bronze	Brass	US10B
619	Satin nickel	Brass	US15
622	Matte black	Brass	BLK
625	Bright chrome	Brass	US26
626	Satin chrome	Brass	US26D
---	Aged bronze	Brass	643e/716

For other colors, consult factory.



WS445

WS445 Manual wall holder - masonry
WS449 Manual wall holder - drywall/wood

- Unit functions as a stop but serves as a hold-open device when hook is manually engaged in strike
- Unit requires manual disengagement to release hold-open
- Replaceable black non-marring rubber tip
- WS445 is packed with fasteners for heavy duty masonry applications
- WS449 is packed with fasteners for drywall/wood applications

Certifications

- WS445 Meets ANSI/BHMA 156.16, L11351 for brass
- WS449 Meets ANSI/BHMA 156.16, L11341 for brass and L31341 for aluminum

Material substrate

- Made from cast brass or aluminum

Dimensions

- Base diameter: 2-1/4"
- Base projection: 3-11/16"
- Engaged projection: 5-3/4"
- Strike height: 1-1/2"
- Strike width: 13/16"
- Strike projection: 13/16"

Available accessory items

- Replaceable black non-marring rubber bumper

Finishes - Brass

BHMA	Description	Substrate	Finish
605	Bright brass	Brass	US3
606	Satin brass	Brass	US4
612	Satin bronze	Brass	US10
613	Oil rubbed bronze	Brass	US10B
619	Satin nickel	Brass	US15
622	Matte black	Brass	BLK
625	Bright chrome	Brass	US26
626	Satin chrome	Brass	US26D
---	Aged bronze	Brass	643e/716

Finishes - Aluminum

BHMA	Description	Substrate	Finish
628*	Satin aluminum	Aluminum	US28

For other colors, consult factory. *Only available on WS449.

Hinges & pivots **A**

Pulls & plates **B**

Flush bolts & coordinators **C**

Latches, catches & bolts **D**

Stops **E13**

Exterior hardware **F**

Miscellaneous hardware **G**

A
Hinges & pivots

B
Pulls & plates

C
Flush bolts & coordinators

D
Latches, catches & bolts

E14
Stops

F
Exterior hardware

G
Miscellaneous hardware



WS40 Automatic wall holder

- Holder is mounted on wall and strike is mounted on door
- Roller on holder rides up seats itself on strike, with a heavy duty bumper pad deadening the sound and shock
- Packed with fasteners for light duty masonry and drywall/wood applications

Certifications

- Meets ANSI/BHMA 156.16, L11291 for brass, and L31291 for aluminum

Material substrate

- Made from cast brass or aluminum

Available accessory items

- Security pin screw
- Hook package

Dimensions

- Base height: 2"
- Base width: 2-1/2"
- Base projection: 2-1/4"
- Engaged projection: 3-1/2"
- Strike height: 2-1/16"
- Strike width: 3/4"
- Strike projection: 2"

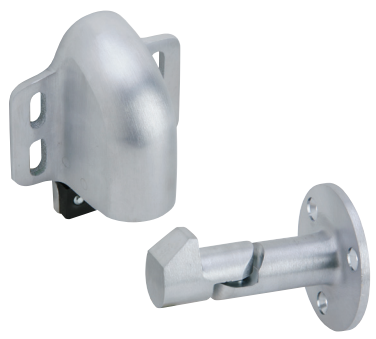
Finishes - Brass

BHMA	Description	Substrate	Finish
605	Bright brass	Brass	US3
606	Satin brass	Brass	US4
612	Satin bronze	Brass	US10
613	Oil rubbed bronze	Brass	US10B
625	Bright chrome	Brass	US26
626	Satin chrome	Brass	US26D

Finishes - Aluminum

BHMA	Description	Substrate	Finish
628	Satin aluminum	Aluminum	US28

For other colors, consult factory.



WS45

WS45 Automatic wall holder - drywall/wood

WS45X Automatic wall holder - masonry

- Spring loaded roller rides up the face of the strike, seating itself on the strike, holding the door firmly in the open position
- A heavy rubber pad cushions the shock and absorbs the sound
- With unit mounted on door and the strike on wall, vertical adjustment is available on body
- The strike is adjustable 45 degrees left or right, both adjustments easily accomplished at time of installation or at a later date.
- WS45 is packed with fasteners for drywall/wood applications.
- WS45X is packed with fasteners for heavy duty masonry applications

Certifications

- WS45 Meets ANSI/BHMA 156.16, L11291 for brass and L31291 for aluminum
- WS45X Meets ANSI/BHMA 156.16, L11291 for brass and L31291 for aluminum

Material substrate

- Made from cast brass or aluminum

Available accessory items

- Security pin screw
- Hook package

Dimensions

- Base height: 3-11/16"
- Base width: 3"
- Base projection: 2"
- Engaged projection: 3-7/16"
- Strike diameter: 2-3/8"
- Strike projection: 3"

Finishes - Brass

BHMA	Description	Substrate	Finish
605	Bright brass	Brass	US3
606	Satin brass	Brass	US4
612	Satin bronze	Brass	US10
613	Oil rubbed bronze	Brass	US10B
619	Satin nickel	Brass	US15
622	Matte black	Brass	BLK
625	Bright chrome	Brass	US26
626	Satin chrome	Brass	US26D
---	Aged bronze	Brass	643e/716

Finishes - Aluminum

BHMA	Description	Substrate	Finish
628	Satin aluminum	Aluminum	US28

For other colors, consult factory.



FS452 Kick down holder

- Units provide simple hold and release, activated with a touch of the foot
- Stainless steel spring
- Replaceable black non-marring rubber shoes have corrugated bottoms to provide secure grip. Rubber shoe is securely fastened with screw
- Shoes are easily replaced when worn
- Packed with fasteners for wood applications
- FS452-4 has a door-to-floor clearance of 2" or less
- FS452-5 has a door-to-floor clearance up to 3"

Certifications

- Meets ANSI/BHMA 156.16, L11383 for brass and L31383 for aluminum

Material substrate

- Made from cast brass or aluminum

Available accessory items

- Replaceable black non-marring rubber shoes

Dimensions

- FS452-4 Door-to-floor clearance: 2" or less
- FS452-5 Door-to-floor clearance: up to 3"
- FS452-4 Plate height: 2-1/8"
- FS452-5 Plate height: 2-1/8"
- FS452-4 Plate width: 1"
- FS452-5 Plate width: 1"

Finishes - Brass

BHMA	Description	Substrate	Finish
605	Bright brass	Brass	US3
606	Satin brass	Brass	US4
612	Satin bronze	Brass	US10
613	Oil rubbed bronze	Brass	US10B
619	Satin nickel	Brass	US15
622	Matte black	Brass	BLK
625	Bright chrome	Brass	US26
626	Satin chrome	Brass	US26D
---	Aged bronze	Brass	643e/716

Finishes - Aluminum

BHMA	Description	Substrate	Finish
628	Satin aluminum	Aluminum	US28

*For other colors, consult factory. *Available in 4" only.*

A Hinges & pivots

B Pulls & plates

C Flush bolts & coordinators

D Latches, catches & bolts

E15 Stops

F Exterior hardware

G Miscellaneous hardware



FS455 4" Kick down holder

- Units provide simple hold and release, activated with a touch of the foot.
- Stainless steel spring
- Replaceable black non-marring rubber shoes have corrugated bottoms to provide secure grip. Rubber shoe is securely fastened with screw
- Shoes are easily replaced when worn
- Packed with fasteners for wood applications
- Door-to-floor clearances of 2" or less

Certifications

- Meets ANSI/BHMA 156.16, L11382 for brass and L31382 for aluminum

Material substrate

- Made from cast brass or aluminum

Available accessory items

- Replaceable black non-marring rubber shoes

Dimensions

- Door-to-floor clearance: 2" or less
- Plate height: 1-3/4"
- Plate width: 1-3/4"

Finishes - Brass

BHMA	Description	Substrate	Finish
605	Bright brass	Brass	US3
606	Satin brass	Brass	US4
612	Satin bronze	Brass	US10
613	Oil rubbed bronze	Brass	US10B
619	Satin nickel	Brass	US15
622	Matte black	Brass	BLK
625	Bright chrome	Brass	US26
626	Satin chrome	Brass	US26D
---	Aged bronze	Brass	643e/716

Finishes - Aluminum

BHMA	Description	Substrate	Finish
628	Satin aluminum	Aluminum	US28
666	Bright brass	Aluminum	US3AL
---	Blackened brass	Aluminum	US5AL
668	Satin bronze	Aluminum	US10AL
---	Clear satin aluminum	Aluminum	US27

For other colors, consult factory.

FS544 4" Kick down holder

FS555 5" Kick down holder

- Units provide an economical method to hold open doors.
- Stainless steel spring
- Replaceable grey non-marring rubber shoes have corrugated bottoms to provide secure grip. Rubber shoe is securely fastened with screw
- Shoes are easily replaced when worn
- Packed with fasteners for wood applications
- FS544 for door-to-floor clearances of 2" or less
- FS555 for door-to-floor clearances up to 3"

Certifications

- FS544 Meets ANSI/BHMA 156.16, L11381
- FS555 Meets ANSI/BHMA 156.16, L11391

Material substrate

- Made from cast iron

Available accessory items

- Replaceable grey non-marring rubber shoes

Dimensions

- FS544
- Door-to-floor clearance: 2" or less
 - Plate height: 2-1/4"
 - Plate width: 1-7/16"
- FS555
- Door-to-floor clearance: up to 3"
 - Plate height: 2-1/4"
 - Plate width: 1-7/16"

Finishes

BHMA	Description	Substrate	Finish
706	Brass painted	Iron	SP4
691	Bronze painted	Iron	SP10
689	Aluminum painted	Iron	SP28
695	Dark bronze painted	Iron	SP313
---	Matte black	Iron	BLK

For other colors, consult factory.



FS544



FS1153 Plunger type door holder

- Provides a contemporary yet economical method of positive hold-open.
- Spring operated plunger activates with minimal pressure, releasing instantly with a light tap on the platform lever.
- Provides a 1-5/8" throw for all types of doors.
- Ribbed grey non-marring rubber shoe is securely fastened to unit with a screw and is easily replaced when worn
- Packed with fasteners for wood applications

Certifications

- Meets ANSI/BHMA 156.16, L11401

Material substrate

- Made from cast aluminum

Available accessory items

- Replaceable grey non-marring rubber shoes

Dimensions

- Height: 5-1/2"
- Width: 2"
- Depth: 1-1/4"

Finishes - Aluminum

BHMA	Description	Substrate	Finish
628	Satin aluminum	Aluminum	US28

For other colors, consult factory.



FS1154 Plunger type door holder

- Plunger and internal parts are plated steel and provides a 1-1/4" throw for all types of doors.
- Plunger is easily activated with minimal pressure, releasing instantly with a light tap on the platform lever.
- Round non-marring rubber shoe is securely fastened with a screw in flanged cup to prevent movement or loss. When worn, shoes are easily replaced.
- Packed with fasteners for wood applications.

Certifications

- Meets ANSI/BHMA 156.16, L31401

Material substrate

- Made from cast brass

Available accessory items

- Replaceable grey non-marring rubber shoes

Dimensions

- Height: 6-1/4"
- Width: 1-1/2"
- Depth: 1-7/16"

Finishes

BHMA	Description	Substrate	Finish
605	Bright brass	Brass	US3
606	Satin brass	Brass	US4
612	Satin bronze	Brass	US10
613	Oil rubbed bronze	Brass	US10B
625	Bright chrome	Brass	US26
626	Satin chrome	Brass	US26D

For other colors, consult factory.

Hinges & pivots
A

Pulls & plates
B

Flush bolts & coordinators
C

Latches, catches & bolts
D

E17
Stops

Exterior hardware
F

Miscellaneous hardware
G

IVES® Roller bumpers

A Hinges & pivots
B Pulls & plates
C Flush bolts & coordinators
D Latches, catches & bolts
E18 Stops
F Exterior hardware
G Miscellaneous hardware



RB470

RB470 Offset roller bumper
RB471 4-1/2" Roller bumper
RB472 6" Roller bumpers

- RB470 Offset roller bumper. Used where two doors open against each other to prevent damage to the doors or hardware
- RB471 and RB472 Straight roller bumpers. Ideal for use in situations where doors meet each other at approximate right angles (back to back)
- Grey rubber roller
- Packed with fasteners for wood applications

Certifications

- RB470 Meets ANSI/BHMA 156.16, L12212
- RB471 Meets ANSI/BHMA 156.16, L12192
- RB472 Meets ANSI/BHMA 156.16, L12202

Material substrate

- Made from cast brass

Available accessory items

- Replaceable grey non-marring rubber shoes

Dimensions

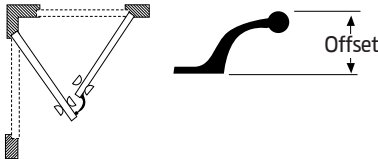
- RB470 Base size: 1-11/16" x 2-1/4"
- RB470 Arm offset: 2-3/4"
- RB470 Length: 5"
- RB471 Base diameter: 2"
- RB471 Length: 4-1/2"
- RB472 Base diameter: 2"
- RB472 Length: 6"

Finishes

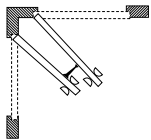
BHMA	Description	Substrate	Finish
605	Bright brass	Brass	US3
606**	Satin brass	Brass	US4
612*	Satin bronze	Brass	US10
613*	Oil rubbed bronze	Brass	US10B
619*	Satin nickel	Brass	US15
625	Bright chrome	Brass	US26
626	Satin chrome	Brass	US26D

For other colors, consult factory.

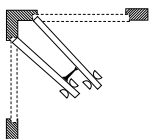
**Only available on RB472. **Only available on RB471 and RB472.*

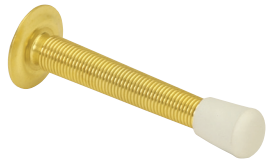


RB471



RB472





060 3" Flexible door stops

061 4" Flexible door stops

- Utilizes heavy gauge spring to maintain rigid protections
- Simple to install - only a screwdriver required
- Packed disassembled for quick installation
- White rubber tip
- Packed with fasteners for wood applications

Certifications

- Meets ANSI/BHMA 156.16

Material substrate

- Made from steel

Available accessory items

- Replaceable white rubber tip available

Dimensions

- Base diameter: 1"
- Tip diameter: 19/16"
- 060 3" Projection
- 061 4" Projection

Finishes

BHMA	Description	Substrate	Finish
631	Matte black	Steel	F-BLK
632	Bright brass	Steel	F3
638	Blackened brass	Steel	F5
639	Satin bronze	Steel	F10
640	Oil rubbed bronze	Steel	F10B
645	Bright nickel	Steel	F14
---	Aged bronze	Steel	F-643E/716
646	Satin nickel	Steel	F15
651	Bright chrome	Steel	F26
652	Satin chrome	Steel	F26D
---**	White	Steel	F-W

*For other colors, consult factory. **Only available on 061.*

A
Hinges & pivots

B
Pulls & plates

C
Flush bolts & coordinators

D
Latches, catches & bolts

E19
Stops

F
Exterior hardware

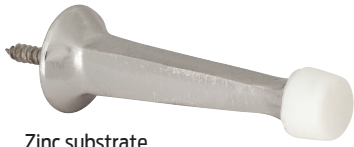
G
Miscellaneous hardware

A
Hinges & pivots



Aluminum and brass substrate

B
Pulls & plates



Zinc substrate

C
Flush bolts & coordinators

D
Latches, catches & bolts

E20
Stops

F
Exterior hardware

G
Miscellaneous hardware

60 3-3/4" Base door stops

61 3-1/8" Base door stops

- Simple to install - only a screwdriver required
- Packed disassembled for quick installation
- Available in three sizes to accommodate varying areas of installation and door trim dimensions
- White rubber tip. Note: 61A - 643E/716 ships with black rubber tips
- Welded fastener for wood applications

Material substrate

- Made from brass, aluminum, or zinc

Available accessory items

- Replaceable white rubber tip available
- Replaceable black rubber tip available

Dimensions

- 60 3-3/4" Projection, base diameter: 1", Tip diameter: 5/8"
- 61 Brass and alum 3-1/8" projection, base Diameter: 7/8", tip diameter: 5/8"
- 61 Zinc 2-7/8" projection, base diameter: 1", tip diameter: 5/8"

Finishes - Brass

BHMA	Description	Substrate	Finish
605	Bright brass	Brass	B3
606	Satin brass	Brass	B4
609	Blackened brass	Brass	B5
612	Satin bronze	Brass	B10
613	Oil rubbed bronze	Brass	B10B
619	Satin nickel	Brass	B15
620*	Blackened nickel	Brass	B15A
622	Matte black	Brass	B-BLK
625	Bright chrome	Brass	B26
626	Satin chrome	Brass	B26D
---	Aged bronze	Brass	B-643e/716

Finishes - Aluminum

BHMA	Description	Substrate	Finish
666	Bright brass	Aluminum	A3
---*	Blackened brass	Aluminum	A5
668*	Satin bronze	Aluminum	A10
703	Oil rubbed bronze	Aluminum	A10B
669	Bright nickel	Aluminum	A14
670	Satin nickel	Aluminum	A15
672	Bright Chrome	Aluminum	A26
702	Satin Chrome	Aluminum	A26D
673	Aluminum clear coat	Aluminum	A92
---	Aged bronze	Aluminum	A-643e/716
---	Matte black	Aluminum	A-BLK
---*	White	Aluminum	A-W

Finishes - Zinc

BHMA	Description	Substrate	Finish
---*	Satin nickel	Zinc	Z619
---*	Aged bronze	Zinc	Z-643e/716

For other colors, consult factory. *Only available on 61.



63 Flexible door stops

- Utilizes heavy gauge spring to maintain rigid protections
- Simple to install - only a screwdriver required
- Packed disassembled for quick installation
- White rubber tip
- Packaged with fastener for wood applications

Material substrate

- Made from wrought steel

Available accessory items

- Replaceable white rubber tip available
- Replaceable black rubber tip available

Dimensions

- Base diameter: 1"
- Tip diameter: 9/16"
- Projection: 3"

Finishes

BHMA	Description	Substrate	Finish
631	Matte black	Steel	F-BLK
632	Bright brass	Steel	F3
638	Blackened brass	Steel	F5
---	Aged bronze	Steel	F-643E/716
646	Satin nickel	Steel	F15
651	Bright chrome	Steel	F26
652	Satin chrome	Steel	F26D
---	White	Steel	F-W

For other colors, consult factory.



64 Base door stop

- Base door stop features deluxe one-piece styling
- Easily screws into base
- Designed with hexagonal head to accommodate wrench or pliers when installing
- White rubber tip
- Packaged with fastener for wood applications

Material substrate

- Made from solid brass or aluminum

Available accessory items

- Replaceable white rubber tip available
- Replaceable black rubber tip available

Dimensions

- Base diameter: 1"
- Tip diameter: 9/16"
- Projection: 3-1/4"

Finishes - Brass

BHMA	Description	Substrate	Finish
605	Bright brass	Brass	B3
606	Satin brass	Brass	B4
609	Blackened brass	Brass	B5
612	Satin bronze	Brass	B10
613	Oil rubbed bronze	Brass	B10B
619	Satin nickel	Brass	B15
622	Matte black	Brass	B-BLK
625	Bright chrome	Brass	B26
626	Satin chrome	Brass	B26D
---	Aged bronze	Brass	B-643e/716

Finishes - Aluminum

BHMA	Description	Substrate	Finish
666	Bright brass	Aluminum	A3
703	Oil rubbed bronze	Aluminum	A10B
673	Aluminum clear coat	Aluminum	A92

For other colors, consult factory.

Hinges & pivots
A

Pulls & plates
B

Flush bolts & coordinators
C

Latches, catches & bolts
D

Stops
E21

Exterior hardware
F

Miscellaneous hardware
G



69 Hinge pin door stops

- Economical solution for use on low frequency, light weight, residential 3 1/2 or 4" hinged doors where the installation of a standard door stop or overhead is not desirable
- Adjustable for 70° to 100° Door Openings
- Positive slip proof adjustment
- White non-marring rubber tips
- Removable bushings accommodate 1/4" to 5/16" diameter hinge pins
- Easy installation—only a screwdriver required

Material substrate

- Made from burnished wrought steel

Dimensions

- Base diameter: 1"
- Tip diameter: 9/16"
- Projection: 3-1/4"

Available accessory items

- Replaceable white rubber tip available

Finishes

BHMA	Description	Substrate	Finish
631	Matte black	Steel	F-BLK
632	Bright brass	Steel	F3
638	Blackened brass	Steel	F5
639	Satin bronze	Steel	F10
640	Oil rubbed bronze	Steel	F10B
645	Bright nickel	Steel	F14
---	Aged bronze	Steel	F-643E/716
646	Satin nickel	Steel	F15
647	Bright nickel	Steel	F15A
651	Bright chrome	Steel	F26
652	Satin chrome	Steel	F26D

For other colors, consult factory.

A
Hinges & pivots

B
Pulls & plates

C
Flush bolts & coordinators

D
Latches, catches & bolts

E22
Stops

F
Exterior hardware

G
Miscellaneous hardware



Aluminum substrate



Brass and zinc substrate

70 Hinge pin door stops

- Economical solution for use on low frequency, light weight, residential 3 1/2 or 4" hinged doors where the installation of a standard door stop or overhead is not desirable
- Designed for narrow trim installation
- High quality rubber bumpers - shoulder on stud supports rubber through entire body for engineered cushioning
- Removable bushings accommodate 1/4" to 5/16" diameter hinge pins
- Easy installation
- White rubber and nylon tips (Note: 70A - 716 ships with black rubber tips)

Material substrate

- Made from brass, aluminum, or zinc

Available accessory items

- Replaceable white rubber tip available

Finishes - Brass

BHMA	Description	Substrate	Finish
605	Bright brass	Brass	B3
606	Satin brass	Brass	B4
609	Blackened brass	Brass	B5
612	Satin bronze	Brass	B10
613	Oil rubbed bronze	Brass	B10B
619	Satin nickel	Brass	B15
622	Matte black	Brass	B-BLK
625	Bright chrome	Brass	B26
626	Satin chrome	Brass	B26D
---	Aged bronze	Brass	B-643e/716

Finishes - Aluminum

BHMA	Description	Substrate	Finish
666	Bright brass	Aluminum	A3
667	Satin brass	Aluminum	A4
---	Blackened brass	Aluminum	A5
668	Satin bronze	Aluminum	A10
703	Oil rubbed bronze	Aluminum	A10B
669	Bright nickel	Aluminum	A14
670	Satin nickel	Aluminum	A15
672	Bright Chrome	Aluminum	A26
702	Satin Chrome	Aluminum	A26D
673	Aluminum clear coat	Aluminum	A92
---	Aged bronze	Aluminum	A-643e/716
---	Matte black	Aluminum	A-BLK
---	White	Aluminum	A-W

Finishes - Zinc

BHMA	Description	Substrate	Finish
---	Dark bronze	Zinc	Z406E
---	Aged bronze	Zinc	Z-643e/716

For other colors, consult factory.

Hinges & pivots
A

Pulls & plates
B

Flush bolts & coordinators
C

Latches, catches & bolts
D

Stops
E23

Exterior hardware
F

Miscellaneous hardware
G



72 Hinge pin door stops

- Economical solution for use on low frequency, light weight, residential 3 1/2" or 4" hinged doors where the installation of a standard door stop or overhead is not desirable
- 85° to 125° Door opening adjustments
- Designed for narrow trim installation
- White rubber bumpers - shoulder on stud supports rubber through entire body for engineered cushioning
- Removable bushings accommodate 1/4" to 5/16" diameter hinge pins
- Easy installation

Material substrate

- Made from cast zinc

Dimensions

- Post length: 1 7/8"

Available accessory items

- Replaceable white rubber tip available

Finishes

BHMA	Description	Substrate	Finish
676	Matte black	Zinc	Z-BLK
677	Bright brass	Zinc	Z-605E
---	Blackened brass	Zinc	Z-609E
704	Oil rubbed bronze	Zinc	Z-613E
---	Satin nickel	Zinc	Z-619E
681	Bright chrome	Zinc	Z-625E
682	Satin chrome	Zinc	Z-626E
---	Aged bronze	Zinc	Z-643e/716
---	White	Zinc	Z-W

For other colors, consult factory.



73 Hinge pin door stops

- Economical solution for use on low frequency, 4 1/2" hinges or above hinged doors where the installation of a standard door stop or overhead is not desirable
- 85° to 125° Door opening adjustments
- Designed for narrow trim installation
- White rubber bumpers - shoulder on stud supports rubber through entire body for engineered cushioning
- Removable bushings accommodate 1/4" to 5/16" diameter hinge pins
- Easy installation

Material substrate

- Made from cast zinc

Available accessory items

- Replaceable white rubber tip available

Finishes

BHMA	Description	Substrate	Finish
677	Bright brass	Zinc	Z-605E
704	Oil rubbed bronze	Zinc	Z-613E
---	Satin nickel	Zinc	Z-619E
681	Bright chrome	Zinc	Z-625E

For other colors, consult factory.

A
Hinges & pivots

B
Pulls & plates

C
Flush bolts & coordinators

D
Latches, catches & bolts

E24
Stops

F
Exterior hardware

G
Miscellaneous hardware



SR64 Door silencer - metal

- For use on metal frames featuring pneumatic design that, once installed, forms an air pocket to absorb shock and reduce noise of door closing
- Tamper-proof once installed on the frame
- Proper installation also eliminates door rattle and provides constant tension for door latches or locks
- Packed in bags of 100
- Grey also available in bulk pack of 2500
- Each bag has an installation tool included

Certifications

- Meets ANSI/BHMA 156.16, L03011

Material substrate

- Made from 60 Durometer styrene butadiene rubber

Finishes

BHMA	Description	Substrate	Finish
---	Grey	Rubber	GRY

For other colors, consult factory.

Dimensions

- Diameter: 1/2"
- Thickness: 1/8" (projection from frame when inserted)



SR65 Door silencer - wood

- For use on wood frames, also feature pneumatic design to cushion shock and absorb noise
- To prevent removal, a small brad should be driven into stop strip and through stem of silencer, as shown in the detail
- Packed in bags of 100

Certifications

- Meets ANSI/BHMA 156.16, L03021

Material substrate

- Made from 60 Durometer styrene butadiene rubber

Finishes

BHMA	Description	Substrate	Finish
---	Grey	Rubber	GRY

For other colors, consult factory.

Dimensions

- Height: 3/4"
- Width: 3/8"
- Thickness: 1/8" (projection from frame when inserted)



SR66 Door silencer - adhesive

- Self adhesive rubber silencers
- Economical installation requires no drilling of frames
- Packed two sheets of 50 (100 minimum)

Certifications

- Meets ANSI/BHMA 156.16, L03021

Material substrate

- Made from 60 Durometer styrene butadiene rubber

Finishes

BHMA	Description	Substrate	Finish
---	Brown	Rubber	BRN
---	Grey	Rubber	GRY
---	White	Rubber	WHT

For other colors, consult factory.

A
Hinges & pivots



CS115 Crash stop

- Specially designed for full-size exterior doors
- Tear resistant, grey vinyl cover
- Heavy duty compression spring assembled to both ends of chain and end brackets
- Packed with sheet metal screw.
- Cast brass brackets with solid, welded steel chain
- Optional sex bolt mounting available in US26D (626) only

Dimensions

- Bracket size: 1-9/16" x 1-9/16"

Available lengths:

- 20-1/2" - Recommended for 30" door width (product no. CS115-20)
- 25-1/2" - Recommended for 36" door width (product no. CS115-25)
- 30-1/2" - Recommended for 42" door width (product no. CS115-30)

Available accessory items

- Through bolt mounting available in US26D (626) only.
- Through bolt with cap nut mounting available in US26D (626) only

Finishes

BHMA	Description	Substrate	Finish
613	Oil rubbed bronze	Brass	B10B
626	Satin chrome	Brass	B26D

B
Pulls & plates

C
Flush bolts & coordinators

D
Latches, catches & bolts

E26
Stops

F
Exterior hardware

G
Miscellaneous hardware

Table of contents

Lock guards

LG1 Lock guard with security pin	F2
LG7 Lock guard	F2
LG10 Lock guard	F2
LG11 Lock guard - aluminum doors	F3
LG12 Lock guard - narrow	F3
LG13 Lock guard	F4
LG14 Lock guard - with electric strike	F4

Viewers

U696 One-way viewer - UL	F5
698 One-way wide angle viewer	F5
U698 One-way wide angle viewer - UL	F5
700 One-way narrow viewer	F6
U700 One-way narrow viewer - UL	F6
701 One-way narrow viewer for thicker doors	F6
U701 One-way narrow viewer for thicker doors - UL	F6

Door knockers

02-3125 Knocker only	F7
02-31251 Knocker with 700 viewer	F7
02-31251U Knocker with U700 viewer	F7
02-31252 Knocker with 701 viewer	F7
02-31252U Knocker with U701 viewer	F7

Mail slots

620 Magazine size letter box plate with standard (open) back plate	F8
601 Sleeve for use with letter box plate	F8



Hinges & pivots
A

Pulls & plates
B

Flush bolts & coordinators
C

Latches, catches & bolts
D

Stops
E

Exterior hardware
F1

Miscellaneous hardware
G

A	Hinges & pivots
B	Pulls & plates
C	Flush bolts & coordinators
D	Latches, catches & bolts
E	Stops
F2	Exterior hardware
G	Miscellaneous hardware



LG1 Lock guard with security pin

LG7 Lock guard

- LG1 incorporates security frame pin to prevent separation of the door and frame
LG7 does not incorporate the security frame pin
- Ideal for use with mortise or cylindrical locks
- Unit covers the latch bolt area of the door and lock, thereby providing added protection from burglars, vandals or normal abuse
- Non-handed
- Easy installation
- Through bolted with carriage bolts and nuts

Material substrate

- Made from 13 gauge stainless steel, 12 gauge steel (LG1 only) or brass (LG1 only)

Dimensions

- 3" wide x 11-1/2" high
- Bolt center to center: 10-1/2"

Finishes - Steel

BHMA	Description	Substrate	Finish
600*	Primed for paint	Steel	USP
603*	Zinc plated	Steel	US2G
695*	Dark bronze painted	Steel	SP313

Finishes - Brass

BHMA	Description	Substrate	Finish
606*	Satin brass	Brass	US4
612*	Satin bronze	Brass	US10

Finishes - Stainless

BHMA	Description	Substrate	Finish
630	Satin stainless	Stainless steel	US32D

For other colors, consult factory. *Not available on LG7.



LG10 Lock guard

- Ideally suited for use with rose or escutcheon 2-3/4" wide or less
- For use with type 86 mortise and type 161 cylindrical locks (ANSI 156.13 Series 1000 and ANSI 156.2 Series 4000)
- Unique design provides maximum security, virtually eliminating the opening between door and frame at the latch point
- Non-handed
- 2 welded mounting studs. No exposed fasteners on face of unit

Material substrate

- Made from 13 gauge stainless steel, 12 gauge steel

Dimensions

- 2-1/2" wide x 9-1/2" high
- Stud center to center: 8-1/2"

Available accessory items

- Security pin fasteners

Finishes - Steel

BHMA	Description	Substrate	Finish
600	Primed for paint	Steel	USP

Finishes - Stainless

BHMA	Description	Substrate	Finish
630	Satin stainless	Stainless steel	US32D

For other colors, consult factory.



RH (LHR) shown

LG11 Lock guard - aluminum doors

- Designed for use on aluminum doors with latch-type locks or doors equipped with electric strikes
- Unique design provides maximum security, virtually eliminating the opening between door and frame at latch point
- Unit is handed - Specify left or right hand when ordering. Order RH for LHR door, and LH for RHR door.
- 2 welded mounting studs. No exposed fasteners on face of unit

Material substrate

- Made from 13 gauge stainless steel, 12 gauge steel

Dimensions

- 3" wide x 9-1/2" high
- Stud center to center: 8-1/2"

Available accessory items

- Security pin fasteners

Finishes - Steel

BHMA	Description	Substrate	Finish
695	Dark bronze painted	Steel	SP313

Finishes - Stainless

BHMA	Description	Substrate	Finish
630	Satin stainless	Stainless steel	US32D

For other colors, consult factory.



LG12 Lock guard - narrow

- Narrow design unit for use on rose or escutcheon 3-1/2" or less
- For use with type 86 mortise and type 161 cylinder locks (ANSI 156.13 Series 1000 and ANSI 156.2 Series 4000)
- Unique design provides maximum security, virtually eliminating the opening between door and frame at the latch point
- Non-handed
- 2 welded mounting studs. No exposed fasteners on face of unit

Material substrate

- Made from 13 gauge stainless steel, 12 gauge steel

Dimensions

- 1-1/2" wide x 9-1/2" high
- Stud center to center: 8-1/2"

Available accessory items

- Security pin fasteners

Finishes - Steel

BHMA	Description	Substrate	Finish
600	Primed for paint	Steel	USP

Finishes - Stainless

BHMA	Description	Substrate	Finish
630	Satin stainless	Stainless steel	US32D

For other colors, consult factory.

Hinges & pivots
A

Pulls & plates
B

Flush bolts & coordinators
C

Latches, catches & bolts
D

Stops
E

Exterior hardware
F3

Miscellaneous hardware
G

A	Hinges & pivots
B	Pulls & plates
C	Flush bolts & coordinators
D	Latches, catches & bolts
E	Stops
F4	Exterior hardware
G	Miscellaneous hardware



LG13 Lock guard

- Designed for use on all type 161 cylindrical locks (ANSI 156.2 Series 2000) Monolock and Unilock
- Unique design provides maximum security, virtually eliminating the opening between door and frame at latch point
- Non-handed
- 2 welded mounting studs. No exposed fasteners on face of unit

Material substrate

- Made from 13 gauge stainless steel, 12 gauge steel

Dimensions

- 1-1/2" wide x 7" high
- Stud center to center: 4-1/2"

Available accessory items

- Security pin fasteners

Finishes - Steel

BHMA	Description	Substrate	Finish
600	Primed for paint	Steel	USP

Finishes - Stainless

BHMA	Description	Substrate	Finish
630	Satin stainless	Stainless steel	US32D

For other colors, consult factory.



LG14 Lock guard - with electric strike

- Narrow design unit for use on rose or escutcheon 3-1/2" or less.
- For use with Von Duprin 6210 and 6211 electric strike.
- No exposed fasteners on face of unit.
- Unique design provides maximum security, virtually eliminating the opening between door and frame at latch point.
- Non-handed
- 4 welded mounting studs. No exposed fasteners on face of unit

Material substrate

- Made from 13 gauge stainless steel

Dimensions

- 2-9/16" wide x 9-1/2" high
- Stud center to center: 8-1/2" and 6-3/4"

Available accessory items

- Security pin fasteners

Finishes - Stainless

BHMA	Description	Substrate	Finish
630	Satin stainless	Stainless steel	US32D

For other colors, consult factory.



U696 One-way viewer - UL

- 150° angle of view
- For doors 1-3/8" to 2-1/16" thick
- Secure, tamper-resistant one-way thread installation
- Simple installation — only a 1/2" hole required
- Suggested installation height: 60" from floor

Material substrate

- Meets ANSI/BHMA A156.16, L23222
- UL listed 90 minute fire doors

Dimensions

- External diameter: 3/4"

Available accessory items

- Trim washer available, 3/4" x .032" thick.
- Extensions available for thicker doors
- Privacy viewer covers to prevent viewing from outside the room

Finishes

BHMA	Description	Substrate	Finish
606	Satin brass	Brass	B4
613	Oil rubbed bronze	Brass	B10B
619	Satin nickel	Brass	B15
622	Matte black	Brass	B-BLK
625	Bright chrome	Brass	B26
626	Satin chrome	Brass	B26D
---	Aged bronze	Brass	B-643e/716

For other colors, consult factory.



698 One-way wide angle viewer

U698 One-way wide angle viewer - UL

- 190° angle of view
- 4 optical glass lenses
- For doors 1-3/8" to 2-1/8" thick
- Simple installation — only a 9/16" hole required
- Suggested installation height: 60" from floor

Material substrate

- Meets ANSI/BHMA A156.16, L23222
- U698 is UL listed 90 minute fire doors

Dimensions

- External diameter: 1"
- Lens projects 1/4" from face of door

Available accessory items

- Extensions available for thicker doors
- Privacy viewer covers to prevent viewing from outside the room

Finishes

BHMA	Description	Substrate	Finish
605	Bright brass	Brass	B3
619*	Satin nickel	Brass	B15
622*	Matte black	Brass	B-BLK
625*	Bright chrome	Brass	B26
626	Satin chrome	Brass	B26D
---	Aged bronze	Brass	B-643e/716

*For other colors, consult factory. *Not available on 698.*

Hinges & pivots
A

Pulls & plates
B

Flush bolts & coordinators
C

Latches, catches & bolts
D

Stops
E

Exterior hardware
F5

Miscellaneous hardware
G



700 One-way narrow viewer
U700 One-way narrow viewer - UL

- 120° angle of view
- For doors 1-3/8" to 2-1/16" thick
- Secure, tamper-resistant one-way thread installation
- Simple installation—only a 1/2" hole required
- Suggested installation height: 60" from floor

Certifications

- 700 meets ANSI/BHMA A156.16, L23173
- U700 meets ANSI/BHMA A156.16, L23223
- U700 is UL listed 90 minute fire doors

Material substrate

- Made from brass, glass lens

Available accessory items

- Trim washer available, 3/4" x .032" thick.
- Extensions available for thicker doors
- Privacy viewer covers to prevent viewing from outside the room

Dimensions

- External diameter: 5/8"

Finishes

BHMA	Description	Substrate	Finish
606	Satin brass	Brass	B4
613*	Oil rubbed bronze	Brass	B10B
619*	Satin nickel	Brass	B15
622*	Matte black	Brass	B-BLK
625*	Bright chrome	Brass	B26
626*	Satin chrome	Brass	B26D
---	Aged bronze	Brass	B-643e/716

For other colors, consult factory. *Not available on 700.



701 One-way narrow viewer for thicker doors
U701 One-way narrow viewer for thicker doors - UL

- 120° angle of view
- For doors 2-1/8" to 2-5/8" thick
- Secure, tamper-resistant one-way thread installation
- Simple installation—only a 1/2" hole required
- Suggested installation height: 60" from floor

Certifications

- 701 meets ANSI/BHMA A156.16, L23173
- U701 meets ANSI/BHMA A156.16, L23223
- U701 is UL listed 90 minute fire doors

Material substrate

- Made from brass, glass lens

Available accessory items

- Trim washer available, 3/4" x .032" thick.
- Extensions available for thicker doors
- Privacy viewer covers to prevent viewing from outside the room

Dimensions

- External diameter: 5/8"

Finishes

BHMA	Description	Substrate	Finish
606	Satin brass	Brass	B4
613*	Oil rubbed bronze	Brass	B10B
619*	Satin nickel	Brass	B15
622*	Matte black	Brass	B-BLK
625*	Bright chrome	Brass	B26
626*	Satin chrome	Brass	B26D
---	Aged bronze	Brass	B-643e/716

For other colors, consult factory. *Not available on 700.



- 02-3125 Knocker only
- 02-31251 Knocker with 700 viewer
- 02-31251U Knocker with U700 viewer
- 02-31252 Knocker with 701 viewer
- 02-31252U Knocker with U701 viewer

- 02-31251 and 02-31251U for door thickness 7/8" – 1-9/16"
- 02-31252 and 02-31252U for door thickness 1-5/8" – 2-1/8"
- Bolts through door

Certifications

- Meets ANSI/BHMA A156.16, L23161

Material substrate

- Made from forged brass

Dimensions

- Length: 5-15/16"
- Width: 3"
- Projection: 1-1/16"
- Mounting hole center-to-center: 3-15/16"

Finishes

BHMA	Description	Substrate	Finish
605	Bright brass	Brass	B3
609*	Blackened brass	Brass	B5
619	Satin nickel	Brass	B15
622	Matte black	Brass	B-BLK
625	Bright chrome	Brass	B26
626	Satin chrome	Brass	B26D
---	Aged bronze	Brass	B-643e/716

For other colors, consult factory.

**B5 knockers are not available with viewer. B3 is furnished with B4 (606) viewer, 716 is furnished with B10B viewer, B15 (619) is furnished with a 626 viewer.*

Hinges & pivots
A

Pulls & plates
B

Flush bolts & coordinators
C

Latches, catches & bolts
D

Stops
E

Exterior hardware
F7

Miscellaneous hardware
G



620 Magazine size letter box plate with standard (open) back plate

- Spring-loaded front plate
- Through bolt mounting available, order separately 09-355 – finish.
- Packed with fasteners for wood applications

Certifications

- Meets ANSI/BHMA A156.16, L26031

Material substrate

- Made from brass or aluminum

Dimensions

- Overall size: 13" wide x 3-9/16" high
- Plate opening: 11" x 2" high

Finishes - Brass

BHMA	Description	Substrate	Finish
605	Bright brass	Brass	B3
609	Blackened brass	Brass	B5
619	Satin nickel	Brass	B15
622	Matte black	Brass	B-BLK
625	Bright chrome	Brass	B26
626	Satin chrome	Brass	B26D
---	Aged bronze	Brass	B-643e/716

Finishes - Aluminum

BHMA	Description	Substrate	Finish
628	Clear anodized	Aluminum	PA28

For other colors, consult factory.



601 Sleeve for use with letter box plate

- For use on 1-3/4" hollow core doors.
- Prevents items falling into door
- 1/4" Wide strengthening rib for added durability
- Can be stacked thicker doors

Material substrate

- Made of stainless steel

Dimensions

- Overall size:
11 7/16" wide x 2 11/16" high x 1 3/4" deep

Table of contents

Brackets and hooks

059 Hand rail bracket.....	G2
59 Hand rail bracket.....	G3
159 Hand rail bracket.....	G3
405 Coat & hat hook.....	G4
571 Coat & hat hook.....	G4
572 Coat & hat hook.....	G5
574 Coat & hat hook.....	G5
575 Coat & hat hook.....	G6
580 Ceiling hook.....	G6
581 Wardrobe hook.....	G7
582 Double wardrobe hook.....	G8
SP585 Closet pole sockets.....	G9
SP586 Closet pole sockets.....	G9

Decorative hooks

506 Plymouth coat & hat hook.....	G10
507 Rhodes coat & hat hook.....	G10
507B Rhodes wardrobe hook.....	G10
508 Greenwich coat & hat hook.....	G10
508C Greenwich coat & hat hook, concealed mount.....	G11
509C Tubular coat & hat hook, concealed mount.....	G11
510C Latitude coat & hat hook, concealed mount.....	G11
510BC Latitude wardrobe hook, concealed mount.....	G11
511BC Century wardrobe hook, concealed mount.....	G12
543 Camelot coat & hat hook.....	G12
543B Camelot wardrobe hook.....	G12
554 Century coat & hat hook.....	G13
558B Orbit wardrobe hook.....	G13
559B Tubular wardrobe hook.....	G13

Window hardware

07 Window lock.....	G14
90 Side window lock.....	G14
026 Bar window lift.....	G15
066 Casement fastener.....	G15
66 Casement fastener.....	G16
71 Casement adjuster.....	G16

Rescue hardware

299RS Rescue strike - center.....	G17
299RB Rescue strike - offset.....	G17
299AS Emergency stop assembly - center.....	G18
299AB Emergency stop assembly - offset.....	G18



Hinges & pivots
A

Pulls & plates
B

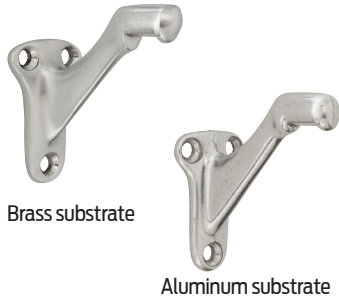
Flush bolts & coordinators
C

Latches, catches & bolts
D

Stops
E

Exterior hardware
F

Miscellaneous hardware
G1



059 Hand rail bracket

- Large faceplate for secure attachment to wall
- Features solid construction for increased strength
- Packaged with fasteners for wood applications

Certifications

- Meets ANSI/BHMA 156.16, L13061 for brass and L33061 for aluminum

Material substrate

- Made from solid brass, cast aluminum, or zinc

Dimensions

- Bracket size: 1-9/16" x 1-9/16"

Finishes - Brass

BHMA	Description	Substrate	Finish
605	Bright brass	Brass	B3
609	Blackened brass	Brass	B5
613	Oil rubbed bronze	Brass	B10B
619	Satin nickel	Brass	B15
620	Blackened nickel	Brass	B15A
622	Matte black	Brass	B-BLK
625	Bright chrome	Brass	B26
626	Satin chrome	Brass	B26D
---	Aged bronze	Brass	B-643e/716

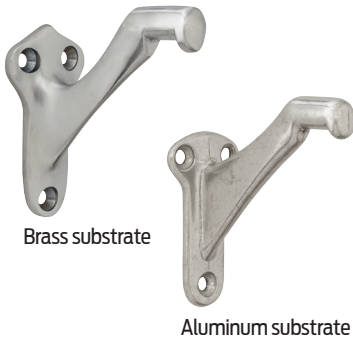
Finishes - Aluminum

BHMA	Description	Substrate	Finish
666	Bright brass	Aluminum	A3
---	Blackened brass	Aluminum	A5
668	Satin bronze	Aluminum	A10
703	Oil rubbed bronze	Aluminum	A10B
669	Bright nickel	Aluminum	A14
670	Satin nickel	Aluminum	A15
672	Bright chrome	Aluminum	A26
702	Satin chrome	Aluminum	A26D
673	Aluminum clear coat	Aluminum	A92
---	Aged bronze	Aluminum	A-643e/716
---	Matte black	Aluminum	A-BLK
---	White	Aluminum	A-W

Finishes - Zinc

BHMA	Description	Substrate	Finish
---	Satin nickel	Zinc	Z619E

For other colors, consult factory.



Brass substrate

Aluminum substrate

59 Hand rail bracket

- Large faceplate for secure attachment to wall
- Features solid construction for increased strength
- Packaged with fasteners for wood applications

Certifications

- Meets ANSI/BHMA 156.16, L13061 for brass and L33061 for aluminum

Dimensions

- Aluminum base: 2-13/16" high x 1-7/16" wide
- Brass base: 2-15/16" high x 1-1/2" wide
- Base to center of rail: 2-3/4"

Material substrate

- Made from cast brass or cast aluminum

Finishes - Brass

BHMA	Description	Substrate	Finish
605	Bright brass	Brass	B3
609	Blackened brass	Brass	B5
619	Satin nickel	Brass	B15
625	Bright chrome	Brass	B26
626	Satin chrome	Brass	B26D
---	Aged bronze	Brass	B-643e/716

Finishes - Aluminum

BHMA	Description	Substrate	Finish
666	Bright brass	Aluminum	A3
---	Blackened brass	Aluminum	A5
703	Oil rubbed bronze	Aluminum	A10B
669	Bright nickel	Aluminum	A14
670	Satin nickel	Aluminum	A15
673	Aluminum clear coat	Aluminum	A92
---	Aged bronze	Aluminum	A-643e/716

For other colors, consult factory.



159 Hand rail bracket

- For use on commercial applications
- Exceeds OSHA and BHMA strength test requirements
- Packed with fasteners for masonry and wood applications

Certifications

- Meets ANSI/BHMA 156.16, L33081

Dimensions

- Base diameter: 3-1/8"
- Base to rail center: 3-1/8"

Material substrate

- Made from cast aluminum

Finishes - Aluminum

BHMA	Description	Substrate	Finish
666	Bright brass	Aluminum	US3AL
673	Aluminum clear coat	Aluminum	US27

For other colors, consult factory.



405 Coat & hat hook

- Wide body design is ideal for public buildings, schools, dormitories, etc., where hook must withstand unusual stress and strain

Certifications

- Meets ANSI/BHMA 156.16, L33113

Material substrate

- Made from cast aluminum

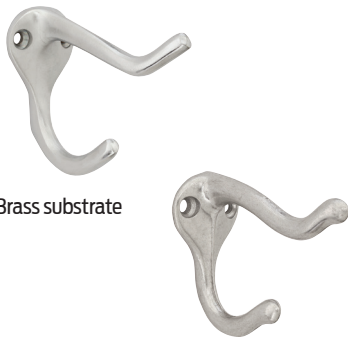
Dimensions

- Base: 1-1/2" high x 7/8" wide
- Projection: 2-1/2"

Finishes - Aluminum

BHMA	Description	Substrate	Finish
666	Bright brass	Aluminum	A3
667	Satin brass	Aluminum	A4
---	Blackened brass	Aluminum	A5
668	Satin bronze	Aluminum	A10
703	Oil rubbed bronze	Aluminum	A10B
669	Bright nickel	Aluminum	A14
673	Aluminum clear coat	Aluminum	A92

For other colors, consult factory.



571 Coat & hat hook

- All-purpose hook in traditional design
- Packaged with fasteners for wood applications

Certifications

- Meets ANSI/BHMA 156.16, L13113 for brass and L33113 for aluminum

Material substrate

- Made from cast brass and cast aluminum

Dimensions

- Base: 1-3/4" high x 1-3/16" wide
- Projection: 3"

Finishes - Brass

BHMA	Description	Substrate	Finish
605	Bright brass	Brass	B3
606	Satin brass	Brass	B4
609	Blackened brass	Brass	B5
613	Oil rubbed bronze	Brass	B10B
619	Satin nickel	Brass	B15
622	Matte black	Brass	B-BLK
625	Bright chrome	Brass	B26
626	Satin chrome	Brass	B26D
---	Aged bronze	Brass	B-643e/716

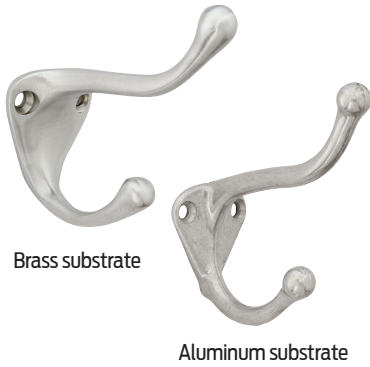
Finishes - Aluminum

BHMA	Description	Substrate	Finish
666	Bright brass	Aluminum	A3
---	Blackened brass	Aluminum	A5
668	Satin bronze	Aluminum	A10
669	Bright nickel	Aluminum	A14
670	Satin nickel	Aluminum	A15
672	Bright chrome	Aluminum	A26
702	Satin chrome	Aluminum	A26D
673	Aluminum clear coat	Aluminum	A92
---	Aged bronze	Aluminum	A-643e/716
---	Matte black	Aluminum	A-BLK
---	White	Aluminum	A-W

Finishes - Zinc

BHMA	Description	Substrate	Finish
---	Satin nickel	Zinc	Z619E

For other colors, consult factory.



572 Coat & hat hook

- All-purpose hook in traditional design
- Packaged with fasteners for wood applications

Certifications

- Meets ANSI/BHMA 156.16, L13113 for brass and L33113 for aluminum

Material substrate

- Made from cast brass and cast aluminum

Dimensions

- Brass base: 1-1/2" high x 1-1/4" wide
- Projection: 3-1/8"

Finishes - Brass

BHMA	Description	Substrate	Finish
605	Bright brass	Brass	B3
606	Satin brass	Brass	B4
609	Blackened brass	Brass	B5
612	Satin bronze	Brass	B10
613	Oil rubbed bronze	Brass	B10B
619	Satin nickel	Brass	B15
625	Bright chrome	Brass	B26
626	Satin chrome	Brass	B26D

Finishes - Aluminum

BHMA	Description	Substrate	Finish
666	Bright brass	Aluminum	A3
---	Blackened brass	Aluminum	A5
668	Satin bronze	Aluminum	A10
703	Oil rubbed bronze	Aluminum	A10B
669	Bright nickel	Aluminum	A14
670	Satin nickel	Aluminum	A15
673	Aluminum clear coat	Aluminum	A92

For other colors, consult factory.



574 Coat & hat hook

- Decorative design is ideal for commercial and residential installations
- Packaged with fasteners for wood applications

Certifications

- Meets ANSI/BHMA 156.16, L13113 for brass and L33113 for aluminum

Material substrate

- Made from cast brass and cast aluminum

Dimensions

- Base: 1-5/8" high x 1-3/4" wide
- Projection: 3-3/4"
- Overall height, brass: 4-3/4"
- Overall height, aluminum: 5"

Finishes - Brass

BHMA	Description	Substrate	Finish
605	Bright brass	Brass	B3
606	Satin brass	Brass	B4
612	Satin bronze	Brass	B10
613	Oil rubbed bronze	Brass	B10B
619	Satin nickel	Brass	B15
625	Bright chrome	Brass	B26
626	Satin chrome	Brass	B26D

Finishes - Aluminum

BHMA	Description	Substrate	Finish
666	Bright brass	Aluminum	A3
627	Bright chrome	Aluminum	A26
673	Aluminum clear coat	Aluminum	A92

For other colors, consult factory.

Hinges & pivots **A**

Pulls & plates **B**

Flush bolts & coordinators **C**

Latches, catches & bolts **D**

Stops **E**

Exterior hardware **F**

Miscellaneous hardware **G5**



575 Coat & hat hook

- Especially designed to accommodate large hats
- Packaged with fasteners for wood applications

Certifications

- Meets ANSI/BHMA 156.16, L33121

Material substrate

- Made from cast aluminum

Dimensions

- Base: 2-1/4" high x 1-3/8" wide
- Projection: 3-5/8"
- Overall height: 5-3/4"

Finishes - Aluminum

BHMA	Description	Substrate	Finish
666	Bright brass	Aluminum	A3
703	Oil rubbed bronze	Aluminum	A10B
673	Aluminum clear coat	Aluminum	A92

For other colors, consult factory.



580 Ceiling hook

- Ideal for use in closets, attached to underside of shelves, or in storage lockers
- Packaged with fasteners for wood applications

Material substrate

- Made from cast aluminum

Dimensions

- Base: 1" high x 1-7/8" wide
- Projection: 2-1/4"

Finishes - Aluminum

BHMA	Description	Substrate	Finish
666	Bright brass	Aluminum	A3
---	Blackened brass	Aluminum	A5
668	Satin bronze	Aluminum	A10
669	Bright nickel	Aluminum	A14
670	Satin nickel	Aluminum	A15
672	Bright chrome	Aluminum	A26
702	Satin chrome	Aluminum	A26D
673	Aluminum clear coat	Aluminum	A92
---	Aged bronze	Aluminum	A-643e/716
---	Matte black	Aluminum	A-BLK

For other colors, consult factory.



581 Wardrobe hook

- Compact hook is perfect where space is limited, such as behind doors where low profile is needed.
- Packaged with fasteners for wood applications

Material substrate

- Made from cast brass, cast aluminum, or zinc

Dimensions

- Base, brass/aluminum: 1-1/4" high x 1-1/4" wide
- Base, zinc: 1-1/2" high x 3/4" wide
- Projection, brass: 1-11/16"
- Projection, Aluminum, zinc: 1-5/8"

Finishes - Brass

BHMA	Description	Substrate	Finish
605	Bright brass	Brass	B3
606	Satin brass	Brass	B4
609	Blackened brass	Brass	B5
613	Oil rubbed bronze	Brass	B10B
619	Satin nickel	Brass	B15
622	Matte black	Brass	B-BLK
625	Bright chrome	Brass	B26
626	Satin chrome	Brass	B26D
---	Aged bronze	Brass	B-643e/716

Finishes - Aluminum

BHMA	Description	Substrate	Finish
666	Bright brass	Aluminum	A3
---	Blackened brass	Aluminum	A5
669	Bright nickel	Aluminum	A14
670	Satin nickel	Aluminum	A15
672	Bright chrome	Aluminum	A26
702	Satin chrome	Aluminum	A26D
673	Aluminum clear coat	Aluminum	A92
---	Aged bronze	Aluminum	A-643e/716
---	Matte black	Aluminum	A-BLK
---	White	Aluminum	A-W

Finishes - Zinc

BHMA	Description	Substrate	Finish
---	Satin nickel	Zinc	Z619E

For other colors, consult factory.



582 Double wardrobe hook

- Compact double hook is perfect where space is limited, such as behind doors where low profile is needed
- Packaged with fasteners for wood applications

Material substrate

- Made from cast brass, cast aluminum, or zinc

Dimensions

- Base, brass: 1-1/8" high x 1-1/4" wide
- Base, aluminum: 1-1/16" high x 1-3/16 wide
- Base, zinc: 1-5/8" high x 7/8" wide
- Projection, brass: 1"
- Projection, aluminum, zinc: 1-3/32"

Finishes - Brass

BHMA	Description	Substrate	Finish
605	Bright brass	Brass	B3
606	Satin brass	Brass	B4
609	Blackened brass	Brass	B5
612	Satin bronze	Brass	B10
613	Oil rubbed bronze	Brass	B10B
619	Satin nickel	Brass	B15
622	Matte black	Brass	B-BLK
625	Bright chrome	Brass	B26
626	Satin chrome	Brass	B26D
---	Aged bronze	Brass	B-643e/716

Finishes - Aluminum

BHMA	Description	Substrate	Finish
666	Bright brass	Aluminum	A3
---	Blackened brass	Aluminum	A5
668	Satin bronze	Aluminum	A10
669	Bright nickel	Aluminum	A14
670	Satin nickel	Aluminum	A15
672	Bright chrome	Aluminum	A26
702	Satin chrome	Aluminum	A26D
673	Aluminum clear coat	Aluminum	A92
---	Aged bronze	Aluminum	A-643e/716
---	Matte black	Aluminum	A-BLK
---	White	Aluminum	A-W

Finishes - Zinc

BHMA	Description	Substrate	Finish
---	Satin nickel	Zinc	Z619E

For other colors, consult factory.

A
Hinges & pivots

B
Pulls & plates

C
Flush bolts & coordinators

D
Latches, catches & bolts

E
Stops

F
Exterior hardware

G8
Miscellaneous hardware



SP585 Closet pole sockets

- Flange design prevents accidental knock out of pole
- Accommodates pole or pipe with outside diameter of 1-3/8"
- Packed in pairs
- Packaged with fasteners for wood applications

Material substrate

- Made from wrought steel

Finishes

BHMA	Description	Substrate	Finish
632	Bright brass	Steel	F3



SP586 Closet pole sockets

- Single screw mounting
- Accommodates pole or pipe with outside diameter of 1-3/8"
- Packed in pairs
- Packaged with fasteners for wood applications

Material substrate

- Made from a heavy duty plastic for long life and extra strength

Finishes

BHMA	Description	Substrate	Finish
---*	White	Plastic	P

*Only available in Slim-Pak of 25.

Hinges & pivots

A

Pulls & plates

B

Flush bolts & coordinators

C

Latches, catches & bolts

D

Stops

E

Exterior hardware

F

Miscellaneous hardware

G9



506 Plymouth coat & hat hook

- Decorative design is ideal for all installations
- Design complements Plymouth Series pulls and levers
- Surface mount
- Packaged with fasteners for wood/drywall applications

Certifications

- Meets ANSI/BHMA 156.16

Material substrate

- Made from brass

See finishes below

Dimensions

- Base: 2" high x 1/2" wide
- Projection: 2"
- Overall height: 5-1/4"
- Overall width: 4-3/4"



507 Rhodes coat & hat hook

- Decorative design is ideal for all installations
- Design complements Rhodes Series pulls and levers
- Surface mount
- Packaged with fasteners for wood applications

Certifications

- Meets ANSI/BHMA 156.16

Material substrate

- Made from brass

See finishes below

Dimensions

- Base: 2- 5/16" high x 1/2" wide
- Projection: 3-1/2"
- Overall height: 4-1/2"



507B Rhodes wardrobe hook

- Decorative design is ideal for all installations
- Design complements Rhodes Series pulls and levers
- Surface mount
- Packaged with fasteners for wood applications

Certifications

- Meets ANSI/BHMA 156.16

Material substrate

- Made from brass

See finishes below

Dimensions

- Base: 2- 5/16" high x 1/2" wide
- Projection: 1-15/16"



508 Greenwich coat & hat hook

- Decorative design is ideal for all installations
- Design complements Greenwich Series pulls and levers
- Surface mount
- Packaged with fasteners for wood/drywall applications

Certifications

- Meets ANSI/BHMA 156.16

Material substrate

- Made from brass

See finishes below

Dimensions

- Base: 2" high x 1-1/2" wide
- Projection: 3-5/16"
- Overall height: 5-1/2"

506, 507, 507B and 508 Finishes

BHMA	Description	Substrate	Finish
605	Bright brass	Brass	605
613	Oil rubbed bronze	Brass	613
622	Matte black	Brass	BLK
625	Bright chrome	Brass	625
626	Satin chrome	Brass	626
---	Aged bronze	Brass	643e/716

For other colors, consult factory.



508C Greenwich coat & hat hook, concealed mount

- Decorative design is ideal for all installations
- Design complements Greenwich Series pulls and levers
- Concealed mount - packaged with set screw
- Packaged with fasteners for wood/drywall applications

Certifications

- Meets ANSI/BHMA 156.16

Material substrate

- Made from brass

See finishes below

Dimensions

- Base: 2" high x 1-1/2" wide
- Projection: 3-11/16"
- Overall height: 5-1/2"



509C Tubular coat & hat hook, concealed mount

- Decorative design is ideal for all installations
- Design complements Tubular Series pulls and levers
- Concealed mount - packaged with set screw and allen wrench
- Packaged with fasteners for wood/drywall applications

Certifications

- Meets ANSI/BHMA 156.16

Material substrate

- Made from brass

See finishes below

Dimensions

- Base: 1-15/16" diameter
- Projection: 3-1/4"
- Overall height: 5-11/16"



510C Latitude coat & hat hook, concealed mount

- Decorative design is ideal for all installations
- Design complements Latitude Series pulls and levers
- Concealed mount - packaged with set screw and allen wrench
- Packaged with fasteners for wood/drywall applications

Certifications

- Meets ANSI/BHMA 156.16

Material substrate

- Made from cast brass

See finishes below

Dimensions

- Base: 1-15/16" diameter
- Projection: 3-3/4"
- Overall height: 5-11/16"



510BC Latitude wardrobe hook, concealed mount

- Decorative design is ideal for all installations
- Design complements Latitude Series pulls and levers
- Concealed mount - packaged with set screw and allen wrench
- Packaged with fasteners for wood/drywall applications

Certifications

- Meets ANSI/BHMA 156.16

Material substrate

- Made from cast brass

See finishes below

Dimensions

- Base: 1-15/16" diameter
- Projection: 3-1/4"

508C, 509C, 510C and 510BC Finishes

BHMA	Description	Substrate	Finish
605	Bright brass	Brass	605
613	Oil rubbed bronze	Brass	613
622	Matte black	Brass	BLK
625	Bright chrome	Brass	625
626	Satin chrome	Brass	626
---	Aged bronze	Brass	643e/716

For other colors, consult factory.

Hinges & pivots
A

Pulls & plates
B

Flush bolts & coordinators
C

Latches, catches & bolts
D

Stops
E

Exterior hardware
F

Miscellaneous hardware
G11



511BC Century wardrobe hook, concealed mount

- Decorative design is ideal for all installations
- Design complements Century Series Pulls and Levers
- Concealed mount
- Pre-installed fastener for wood applications

Certifications

- Meets ANSI/BHMA 156.16

Dimensions

- Base: 1" high x 3/4" wide
- Projection: 1-1/2"

Material substrate

- Made from cast brass

Finishes

BHMA	Description	Substrate	Finish
605	Bright brass	Brass	605
613	Oil rubbed bronze	Brass	613
622	Matte black	Brass	BLK
625	Bright chrome	Brass	625
626	Satin chrome	Brass	626
---	Aged bronze	Brass	643e/716

For other colors, consult factory.



543 Camelot coat & hat hook

- Decorative design is ideal for all installations
- Design complements Camelot Series pulls and levers
- Surface mount
- Packaged with fasteners for wood applications

Certifications

- Meets ANSI/BHMA 156.16

Dimensions

- Base: 2" high x 13/16" wide
- Projection: 2-1/2"
- Overall height: 5-1/2"

Material substrate

- Made from stainless steel

See finishes below



543B Camelot wardrobe hook

- Decorative design is ideal for all installations
- Design complements Camelot Series pulls and levers
- Surface mount
- Packaged with fasteners for wood applications

Certifications

- Meets ANSI/BHMA 156.16

Dimensions

- Base: 2" high x 13/16" wide
- Projection: 1-11/16"

Material substrate

- Made from stainless steel

See finishes below

543 and 543B Finishes

BHMA	Description	Substrate	Finish
629	Bright stainless	Stainless steel	US32
630	Satin stainless	Stainless steel	US32D

For other colors, consult factory.

A
Hinges & pivots

B
Pulls & plates

C
Flush bolts & coordinators

D
Latches, catches & bolts

E
Stops

F
Exterior hardware

G12
Miscellaneous hardware



554 Century coat & hat hook

- Decorative design is ideal for all installations
- Design complements Century Series pulls and levers
- Surface mount
- Packaged with fasteners for wood/drywall applications

Certifications

- Meets ANSI/BHMA 156.16

Material substrate

- Made from cast brass

Dimensions

- Base: 2" Diameter
- Projection: 4-1/4"
- Overall height: 4-7/8"

Finishes

BHMA	Description	Substrate	Finish
605	Bright brass	Brass	605
619	Satin nickel	Brass	619
622	Matte black	Brass	BLK
625	Bright chrome	Brass	625
626	Satin chrome	Brass	626
---	Aged bronze	Brass	643e/716

For other colors, consult factory.



558B Orbit wardrobe hook

- Decorative design is ideal for all installations
- Design complements Orbit Series pulls and levers
- Concealed mount - packaged with set screw
- Packaged with fasteners for wood/drywall applications

Certifications

- Meets ANSI/BHMA 156.16

Material substrate

- Made from brass

See finishes below

Dimensions

- Base: 3-5/8" high x 3/4" wide
- Projection: 2-7/8"



559B Tubular wardrobe hook

- Decorative design is ideal for all installations
- Design complements Tubular Series pulls and levers
- Surface mount
- Packaged with fasteners for wood/drywall applications

Certifications

- Meets ANSI/BHMA 156.16

Material substrate

- Made from brass

See finishes below

Dimensions

- Base: 2" Diameter
- Projection: 1-5/16"

558B and 559B Finishes

BHMA	Description	Substrate	Finish
605	Bright brass	Brass	605
613	Oil rubbed bronze	Brass	613
619	Satin nickel	Brass	619
622	Matte black	Brass	BLK
625	Bright chrome	Brass	625
626	Satin chrome	Brass	626
---	Aged bronze	Brass	643e/716

For other colors, consult factory.

Hinges & pivots
A

Pulls & plates
B

Flush bolts & coordinators
C

Latches, catches & bolts
D

Stops
E

Exterior hardware
F

Miscellaneous hardware
G13

A
Hinges & pivots



07 Window lock

- Designed low to the sash for superior strength and greater resistance to breakage
- Vertical and horizontal camming action for snug, non-rattling fit
- Heavy gauge springs provide long-wearing action
- Packaged with fasteners for wood applications

Certifications

- Meets ANSI/BHMA 156.16, L33121

Dimensions

- Base: 15/16" x 2-9/16"
- Strike: 5/8" x 2-9/16"

Material substrate

- Made from cast brass or aluminum

Finishes - Brass

BHMA	Description	Substrate	Finish
605	Bright brass	Brass	B3
619	Satin nickel	Brass	B15
622	Matte black	Brass	B-BLK
625	Bright chrome	Brass	B26
626	Satin chrome	Brass	B26D
---	Aged bronze	Brass	B-643e/716

Finishes - Aluminum

BHMA	Description	Substrate	Finish
666	Bright brass	Aluminum	A3
---*	Blackened brass	Aluminum	A5
703	Oil rubbed bronze	Aluminum	A10B
669	Bright nickel	Aluminum	A14
670	Satin nickel	Aluminum	A15
672	Bright chrome	Aluminum	A26
702	Satin chrome	Aluminum	A26D
673	Aluminum clear coat	Aluminum	A92
---	Aged bronze	Aluminum	A-643e/716
---	Matte black	Aluminum	A-BLK
---	White	Aluminum	A-W

For other colors, consult factory. *Only available in Slim-Pak of 25.

B
Pulls & plates

C
Flush bolts & coordinators

D
Latches, catches & bolts

E
Stops

F
Exterior hardware

G14
Miscellaneous hardware



90 Side window lock

- May be used singularly for small windows or in pairs for large windows
- Cam action eliminates rattles and holds window firmly in desired position
- Packaged with fasteners for wood applications

Certifications

- Meets ANSI/BHMA 156.16

Material substrate

- Made from aluminum

Dimensions

- 1-3/4" high x 1-1/8" wide

Finishes - Aluminum

BHMA	Description	Substrate	Finish
666	Bright brass	Aluminum	A3

For other colors, consult factory.



026 Bar window lift

- Facilitates opening of window in a safe manner
- Can also be used as a drawer or utility pull
- Packaged with fasteners for wood applications

Certifications

- Meets ANSI/BHMA 156.16

Material substrate

- Made from solid brass or aluminum

Dimensions

- Base: 1-1/8" high x 4" wide
- Projection: 1-1/16"

Finishes - Brass

BHMA	Description	Substrate	Finish
605	Bright brass	Brass	B3
609	Blackened brass	Brass	B5
619	Satin nickel	Brass	B15
622	Matte black	Brass	B-BLK
625	Bright chrome	Brass	B26
626	Satin chrome	Brass	B26D
---	Aged bronze	Brass	B-643e/716

Finishes - Aluminum

BHMA	Description	Substrate	Finish
666	Bright brass	Aluminum	A3
---	Blackened brass	Aluminum	A5
669	Bright nickel	Aluminum	A14
670	Satin nickel	Aluminum	A15
672	Bright chrome	Aluminum	A26
702	Satin chrome	Aluminum	A26D
673	Aluminum clear coat	Aluminum	A92
---	Aged bronze	Aluminum	A-643e/716
---	Matte black	Aluminum	A-BLK
---	White	Aluminum	A-W

For other colors, consult factory.



066 Casement fastener

- For use on windows to provide weather-tight fastening and security
- Also ideal for securing louvered doors and small doors
- Packaged with three strikes: Surface Strike (SS) Rim Strike (RS) Mortise Strike (MS)
- Packaged with fasteners for wood applications

Certifications

- Meets ANSI/BHMA 156.16

Material substrate

- Made from solid brass or aluminum

Dimensions

- Base: 1-5/8" x 7/8"
- Projection: 1-3/8"

Finishes - Brass

BHMA	Description	Substrate	Finish
605	Bright brass	Brass	B3
609	Blackened brass	Brass	B5
619	Satin nickel	Brass	B15
625	Bright chrome	Brass	B26
626	Satin chrome	Brass	B26D

Finishes - Aluminum

BHMA	Description	Substrate	Finish
666	Bright brass	Aluminum	A3
---	Blackened brass	Aluminum	A5
703	Oil rubbed bronze	Aluminum	A10B
669	Bright nickel	Aluminum	A14
673	Aluminum clear coat	Aluminum	A92

For other colors, consult factory.



Hinges & pivots **A**

Pulls & plates **B**

Flush bolts & coordinators **C**

Latches, catches & bolts **D**

Stops **E**

Exterior hardware **F**

Miscellaneous hardware **G15**



66 Casement fastener

- For use on windows to provide weather-tight fastening and security
- Also ideal for securing louvered doors and small doors
- Packaged with three strikes: Surface Strike (SS), Rim Strike (RS), or Mortise Strike (MS)
- Packaged with fasteners for wood applications

Certifications

- Meets ANSI/BHMA 156.16

Material substrate

- Made from solid brass or aluminum

Dimensions

- Base: 2-1/16" high x 1-1/16" wide
- Projection: 1-7/8"

Finishes - Brass

BHMA	Description	Substrate	Finish
605	Bright brass	Brass	B3
609	Blackened brass	Brass	B5
619	Satin nickel	Brass	B15
625	Bright chrome	Brass	B26
626	Satin chrome	Brass	B26D
---	Aged bronze	Brass	B-643e/716

Finishes - Aluminum

BHMA	Description	Substrate	Finish
666	Bright brass	Aluminum	A3
---	Blackened brass	Aluminum	A5
669	Bright nickel	Aluminum	A14
673	Aluminum clear coat	Aluminum	A92

For other colors, consult factory.



71 Casement adjuster

- Securely holds casement window in any position.
- Can also be used to hold cabinet lids and drafting table tops in various positions.
- Available in 10" and 12" lengths.
- Packaged with fasteners for wood applications

Certifications

- Meets ANSI/BHMA 156.16

Material substrate

- Made from solid brass

Dimensions

- Tube: 3/8" x 5/8"
- Projection: 1"

Sash plate:

- Brass: 1-5/8" high x 5/8" wide
- Steel: 2 x 5/8" wide

Sill plate:

- 2-1/4" x 15/16" wide

Finishes

BHMA	Description	Substrate	Finish
605	Bright brass	Brass	B3
625	Bright chrome	Brass	B26

A Hinges & pivots

B Pulls & plates

C Flush bolts & coordinators

D Latches, catches & bolts

E Stops

F Exterior hardware

G16 Miscellaneous hardware

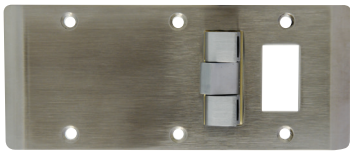


- 299AL Emergency Stop**
- 299RB Rescue strike - offset**
- 299RS Rescue strike - center**
- 299AB Emergency stop assembly - offset**
- 299AS Emergency stop assembly - center**

Used in conjunction with center hung pivots, rescue hardware allows a bi-directional door swing in emergency situations. When a patient becomes trapped behind an inward swinging door, the center tong of the emergency stop depresses allowing the door to swing in the opposite direction without causing damage to the frame.



- Center or offset mounting styles
- 7 model fits 5-3/4" frame and -8 model fits 6-3/4" frames
- Fits 1 3/4" door thickness. Custom sizes available, consult factory
- Must be used with center hung pivots such as Ives models: 7253, 7255, 7255J, 7256, and 7259
- Cannot be used with deadbolt applications
- Cannot be used with mortise locks that have deadlocking auxiliary latches
- Packed with 8-32 x 1/2" fasteners for hollow metal applications



Certifications

- Meets ANSI/BHMA A1882

Material substrate

- Stainless Steel

Dimensions

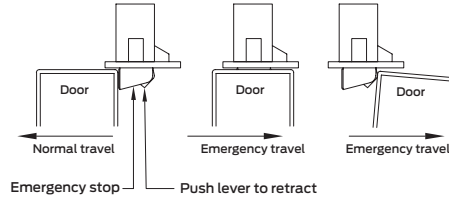
- 7 model: 6.75" x 2.75"
Used with 5 3/4" Frame
- 8 model: 7.75" x 2.75"
Used with 6 3/4" Frame
- Emergency stop only: 1.625" x 4.5"

Finishes

BHMA	Description	Substrate	Finish
630	Stainless steel	Stainless	630

For other colors, consult factory.

How it works



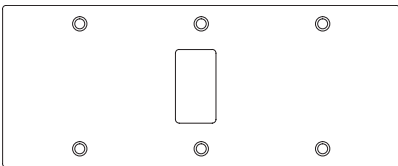
Things to consider when ordering

Rescue hardware must consist of two components: a stop and a strike. The components can be ordered as two separate items (with one component mounted above the other on the frame), or as one assembly with integrated components.

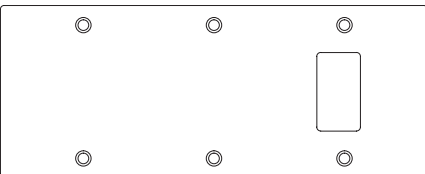
Separate components

Rescue strike only (available in -7 or -8 model)

Center 299RS

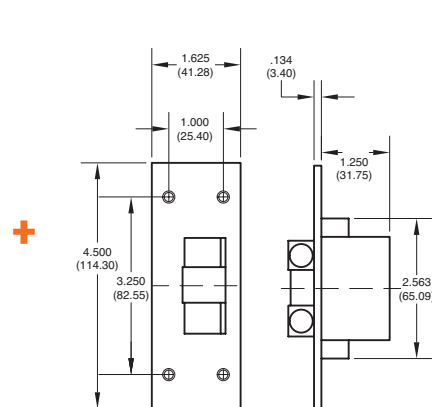


Offset 299RB



Emergency stop only

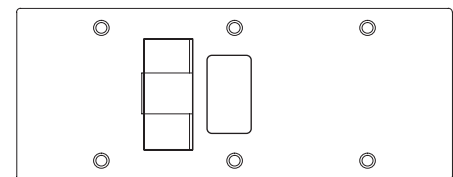
299AL (required to complete assembly)



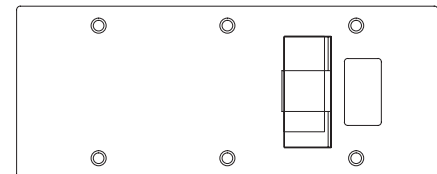
Integrated components

Emergency stop assemblies (available in -7 or -8 model)

Center 299AS



Offset 299AB



Note: Refer to templates for dimensional details.

A Hinges & pivots
 B Pulls & plates
 C Flush bolts & coordinators
 D Latches, catches & bolts
 E Stops
 F Exterior hardware
 G17 Miscellaneous hardware

A	Hinges & pivots
B	Pulls & plates
C	Flush bolts & coordinators
D	Latches, catches & bolts
E	Stops
F	Exterior hardware
G	Miscellaneous hardware

A
 Angle stop, D11
 Automatic wall holder, E15
 Auxiliary pusher, D12

B
 Ball catch, D13
 adjustable, D16
 dual adjustable, D16, D17

C
 Carry bar, C14
 Casement adjuster, G16
 Casement fastener, G15, G16
 Chain door guard, D7
 Closet pole socket, G9
 Constant latching flush bolt, C5
 Coordinator
 bar, C19
 filler bar, C20
 gravity, C23
 mounting bracket, C21-C22
 Crash stop, E26

D
 Door base stop, E20, E21
 Door bolt
 dutch, D6
 mortise, D6
 Door guard
 chain, D7
 solid bar, D7
 Door knocker, F7
 Door pull, B2, B3, B4, B5
 offset, B5
 Door silencer, E25
 Dust proof strike, C16

E
 Elbow catch, D17

F
 Flexible door stop, E19, E21
 Floor stop, E2-E6
 & automatic holder, E7
 & manual holder, E8
 & semi-automatic holder, E7

Flush bolts
 automatic, C2-C5
 constant latching, C6-C9
 manual, C10-C15

Flush pull, B57-B59
 decorative, B60-B62

G

H
 Handrail bracket, G2-G3
 Hinge pin stop, E22-E24

Hinges
 3 knuckle, full mortise, A5-A8
 5 knuckle, full mortise, A10-A15
 continuous geared
 full mortise, A23-A26, A31-A33, A36, A37
 full surface, A34, A35
 half surface, A27-A30
 continuous pin & barrel
 full mortise, A43, A44, A46, A49, A50
 full surface, A45
 swing clear, A47, A48
 pocket, A72, A73
 residential, A16
 spring, A9

Hook
 ceiling, G6
 coat & hat, G4-G6, G10-G13
 wardrobe, G8, G10-G13

I
 Invisible latch, D12

K
 Kick down holder, E15, E16

L
 Lock guard, F2-F4
 Long door pull, B38, B39

M
 Magnetic catch, D14
 Mail slots, F8

N

P
 Pivot
 1 1/2" offset, A61, A62
 3/4" offset, A54-A60
 center hung, A67-A71
 intermediate, A63-A65
 electrified, A66
 pocket, A72
 electrified, A73

Plunger door holder, E17
 Pocket sliding door bolt, B63
 Protection plates, B47

Pull
 architectural, B11-B17
 decorative, B23-B37

Pull plate, B41-B45
 Push bar, B18
 with pull, B19-B22
 Push plate, B41

R
 Rescue hardware, G17, G18
 Riser, E2, E3
 Roller bumper, E18
 Roller catch, D15
 Roller latch D8-D10

S
 Screen door pull, B65
 Side window lock, G7
 Slide door edge pull, B63
 Sliding door pull, B64, B65
 Strike plate, D10
 Surface bolt, D2-D5

V
 Vandal resistant trim, B48-B56
 Viewer, F5, F6

W
 Wall bumper, E11, E12
 Wall holder
 automatic, E14
 manual, E13
 Wall stop, E9, E10
 Window
 bar lift, G15
 lock, G14

02-3125, F7
 02-3125I, F7
 02-3125IU, F7
 02-31252, F7
 02-31252U, F7
 07, G14
 026, G15
 026XY, A23
 027XY, A24
 040XY, A25
 041XY, A26
 2, D17
 045XY, A27
 046XY, A28
 053XY, A29
 054, D6
 054XY, A30
 059, G2, G3
 060, E19, E20
 061, E19, E20
 066, G15, G16

 3CB1, A6
 3CB1HW, A7
 3CB1WT, A8
 3PB1, A5
 3SP1, A9
 5BB1, A11
 5BB1BSC, A14
 5BB1BSCHW, A15
 5BB1HW, A12
 5BB1SC, A14
 5BB1SCHW, A15
 5BB1WT, A13
 5PB1, A10
 22, B63
 25, B71
 40, D5
 42, B69
 63, E21
 64, E21
 69, E22
 70, E23
 71, G16
 72, E24
 73, E24
 90, G14
 112HD, A31
 112XY, A32
 114XY, A33
 157XY, A34
 159, G3
 210XY, A35
 218, B63
 221, B64
 222, B64
 223, B65
 224HD, A36
 224XY, A37
 227, B65
 230, B69
 253, D5
 261, C10
 262, C11
 265, C12
 325, D14
 326, D14
 327, D14
 330, D15
 335, D15
 336, D15
 345, D16
 347, D16
 349, D17
 405, G4
 411R-W, E12
 430, E5
 481, D7
 482, D7
 506, G10
 507, G10
 507B, G10
 508, G10
 508C, G11
 509C, G11
 510BC, G11

510C, G11
 511BC, G12
 543, G12
 543B, G12
 554, G13
 558B, G13
 559B, G13
 571, G4
 572, G5
 574, G5
 575, G6
 580, G6
 581, G7
 582, G8
 600, A43
 601, F8
 611, A47
 620, F8
 698, F5
 700, A43, F6
 701, F6
 705, A46
 711, A47
 711CS, A48
 715, A49
 715CS, A50
 919, B66
 950, B66
 955, B67
 960, B67
 962, B68
 990, B70
 991, B71
 1000, A16
 7212, A54
 7212-7212V-7222 INT, A63
 7212V, A54
 7215, A55
 7215-7226-7227 INT, A64
 7215F, A55
 7215F-7226F-7227F INT, A64
 7215PT-7226PT-7227PT INT, A66
 7222, A56
 7226, A57
 7226F, A57
 7227, A58
 7227F, A58
 7230F, A59
 7230F-7237F INT, A65
 7230FPT-7237FPT INT, A67
 7237F, A60
 7244F, A61
 7244F-7245F INT, A65
 7245F, A62
 7253, A68
 7255, A69
 7255J, A70
 7256, A71
 7259, A72
 8102HD, B11
 8103EZHD, B13
 8103HD, B12
 8105, B14
 8111-5, B23
 8112-5, B23
 8121, B24
 8145EZHD, B15
 8169, B25
 8181, B26
 8189, B27
 8190EZHD, B17
 8190HD, B16
 8200, B42
 8281, B28
 8300, B42
 8302, B43
 8303, B44
 8305, B45
 8311, B46
 8312, B29
 8320, B30
 8371, B31
 8372, B32
 8373, B33
 8400, B48

8402, B48
 8700, B34
 8800, B35
 8848, B36, B40
 8975, B37
 9100HD, B18
 9103EZHD, B19
 9145EZHD, B20
 9190EZHD, B22
 9190HD, B21
 9264, B39
 9266, B39
 91105F, A73
 AP101, B40
 AS18, D11
 AS895, D11
 CB1, C24
 CL11, D12
 CL12, D12
 CL14, D12
 CL21, D13
 CL21A, D13
 CL22, D13
 COR, C19
 COR7G, C23
 COR9G, C23
 CS115, E26
 DP1, C16
 DP2, C16
 E91105F, A74
 FB31B, C2
 FB31P, C2
 FB31T, C2
 FB32, C3
 FB33, C3
 FB41B, C4
 FB41P, C4
 FB41T, C4
 FB42, C5
 FB51P, C6
 FB51T, C6
 FB52, C7
 FB53, C7
 FB61P, C8
 FB61T, C8
 FB62, C9
 FB358, C13
 FB457, C14
 FB458, C15
 FL, C20
 FP101, B40
 FS9, E7
 FS13, E2
 FS17, E2
 FS18L, E5
 FS18S, E5
 FS40, E7
 FS41, E7
 FS42, E7
 FS43, E7
 FS410, E4
 FS434, E5
 FS436, E3
 FS438, E3
 FS439, E4
 FS441, E6
 FS444, E6
 FS446, E8
 FS448, E6
 FS450, E8
 FS452, E15
 FS455, E16
 FS495, E8
 FS496, E8
 FS497, E8
 FS544, E16
 FS555, E16
 FS1153, E17
 FS1154, E17
 LG1, F2
 LG7, F2
 LG10, F2
 LG11, F3
 LG12, F3
 LG13, F4
 LG14, F4

MB1, C21
 MB1F, C22
 MB1V, C22
 MB2, C21
 MB2F, C22
 MB2V, C22
 MB3F, C22
 MB3V, C22
 OTP300, B40
 R435, E3
 R437, E3
 R810-DT, B54
 RB470, E18
 RB471, E18
 RB472, E18
 RL30, D8
 RL30A, D8
 RL32, D8
 RL32A, D8
 RL36, D9
 RL36A, D9
 RL38, D9
 RL1152, D10
 S48, D6
 SB360, D2
 SB453, D2
 SB1600M1, D4
 SB1600M2, D4
 SB1630, D3
 SB1640, D3
 SP585, G9
 SP586, G9
 SR64, E25
 SR65, E25
 SR66, E25
 STK685, D10
 STK685L, D10
 U696, F5
 U698, F5
 U700, F6
 U701, F6
 VR810-NL LHR, B55
 VR810-NL RHR, B55
 VR810-NL-V, B56
 VR814-DT, B54
 VR814-NL LHR, B55
 VR814-NL RHR, B55
 VR814-NL-V, B56
 VR900 LHR, B57
 VR900LLP LH, B58
 VR900LLP RH, B58
 VR900 RHR, B57
 VR904 LHR, B57
 VR904LLP LH, B58
 VR904LLP RH, B58
 VR904 RHR, B57
 VR910-DT, B59
 VR910M-DT, B61
 VR910M-NL LHR, B62
 VR910M-NL RHR, B62
 VR910-NL, B60
 VR914-DT, B59
 VR914M-DT, B61
 VR914M-NL LHR, B62
 VR914M-NL RHR, B62
 VR914-NL, B60
 WS11, E9
 WS11X, E9
 WS20, E9
 WS20X, E9
 WS33, E10
 WS33X, E10
 WS40, E14
 WS45, E14
 WS45X, E14
 WS65, E10
 WS401/402CCV, E11
 WS401/402CVX, E11
 WS404CVX, E11
 WS406/407CCV, E12
 WS406/407CVX, E12
 WS443, E13
 WS445, E13
 WS447, E13
 WS449, E13

Hinges & pivots

A

Pulls & plates

B

Flush bolts & coordinators

C

Latches, catches & bolts

D

Stops

E

Exterior hardware

F

Miscellaneous hardware

G

About Allegion

Allegion (NYSE: ALLE) is a global pioneer in seamless access, with leading brands like CISA®, Interflex®, LCN®, Schlage®, SimonsVoss® and Von Duprin®. Focusing on security around the door and adjacent areas, Allegion secures people and assets with a range of solutions for homes, businesses, schools and institutions. Allegion had \$2.9 billion in revenue in 2019 and sells products in almost 130 countries.

For more, visit www.allegion.com

KRYPTONITE ■ LCN ■  ■ INTERFLEX ■ VON DUPRIN