

**RIXSON**<sup>®</sup>  
**ASSA ABLOY**

Experience a safer  
and more open world



## PIVOTS AND PIVOT SETS

Architectural Solutions for Durable  
and Efficient Hanging of Doors

Copyright © 2018-2019, ASSA ABLOY Accessories and Door Controls Group, Inc.  
All rights reserved. Reproduction in whole or in part without the express written  
permission of ASSA ABLOY Accessories and Door Controls Group, Inc. is prohibited.

## TABLE OF CONTENTS

General Information.....	4
How to Select Product .....	4-5
Options .....	6
Certifications.....	6
Limited Warranty.....	6
Specifications.....	6

## PRODUCT DESCRIPTIONS

## Offset Pivot Sets

173	Very Light Duty/Weight Pivot Set.....	7
117-1/4	Light-Duty/Light Weight Jamb Attached Pivot Set.....	8
117	Light-Duty/Light Weight Pivot Set .....	9
165	Pivot Set Without Bottom Pivot .....	10
195	Jamb Attached Pivot Set.....	11
547	Pivot Set for Arch Top or Overhead Concealed Closers .....	12
147	Standard-Duty Pivot Set .....	13
117-1/2	Heavy Weight Pivot Set.....	14
L147	Heavy Weight Pivot Set.....	15
L117	Heavy Weight/High Traffic/Lead Lined Door Pivot Set .....	16

## Offset Top Pivots

180	Standard Top Pivot .....	17
180 x 102	Top Pivot for Deep Reveal.....	17
H180	Heavy-Duty Top Pivot .....	17
280	Half Surface Top Pivot.....	18
380	Half Mortise Top Pivot.....	18
L380	Half Mortise Heavy Weight/High Traffic/Lead Lined Door Pivot .....	18
480	Full Surface Top Pivot.....	19
680	Side Jamb Attached Top Pivot .....	19
L180	Heavy Weight/High Traffic/Lead Lined Door Top Pivot .....	20
FA180	Asylum Top Pivot.....	20

## Intermediate Pivots

119	Light-Duty Pivot.....	21
219	Half Surface Pivot .....	21
319	Half Mortise Pivot.....	22
L319	Half Mortise Heavy Weight/High Traffic Pivot .....	22
419	Full Surface Pivot .....	22
FA19	Behavior Health Intermediate Pivot.....	23
M19	Standard-Duty Pivot.....	23
M190	Load-Bearing Pivot.....	24
ML19	Heavy Weight/High Traffic Pivot.....	24

**RIXSON®**  
**ASSA ABLOY**

## TABLE OF CONTENTS, CONTINUED

## Electrified Intermediate Pivots

E-M19	Power Transfer Pivot.....	25
E-M19U	Power Transfer High Inrush Pivot.....	25
E-ML19	Power Transfer Heavy Weight/High Traffic Pivot.....	26

## Pocket Pivots

F519	Pocket Pivot.....	27
------	-------------------	----

## Electrified Pocket Pivot

E-F519	Power Transfer Pocket Pivot.....	27
--------	----------------------------------	----

## Center Hung Pivot Sets

176	Very Light Duty/Weight Pivot Set.....	28
178	Pivot Set With Patch Fittings.....	28
127-3/4	Light-Duty/Light Weight Jamb Attached Pivot Set.....	29
128-3/4	Light-Duty/Light Weight Pivot Set.....	29
370	Pivot Set.....	30
375	Pivot Set.....	30
117-3/4	Heavy Weight Pivot Set.....	31
H117-3/4	Heavy Weight/High Traffic 2" Minimum Door Thickness.....	32
H117-3/4 x 587	Heavy Weight/High Traffic 1-3/4" Door Thickness.....	32

## Center Hung Top Pivots

320	Light Weight/Light-Duty Top Pivot.....	33
340	Top Pivot.....	33
320 x 102	Light-Duty Inverted Top Pivot.....	33
340 x 102	Inverted Top Pivot.....	33
340 x AP3	Side Jamb Attached Top Pivot.....	34
H340	Heavy-Duty Top Pivot.....	34
345	Longer Throw Pin for Taller Doors Top Pivot.....	35
H345	Longer Throw Pin Heavy Weight/High Traffic for Taller Doors Top Pivot.....	35

## Electrified Center Hung Top Pivots

E-H340	Power Transfer Pivot.....	36
E-H345	Power Transfer Longer Throw Pivot.....	36

Parts Drawings.....	37-50
---------------------	-------

How to Order.....	51
-------------------	----

Product Comparison Charts.....	52-54
--------------------------------	-------

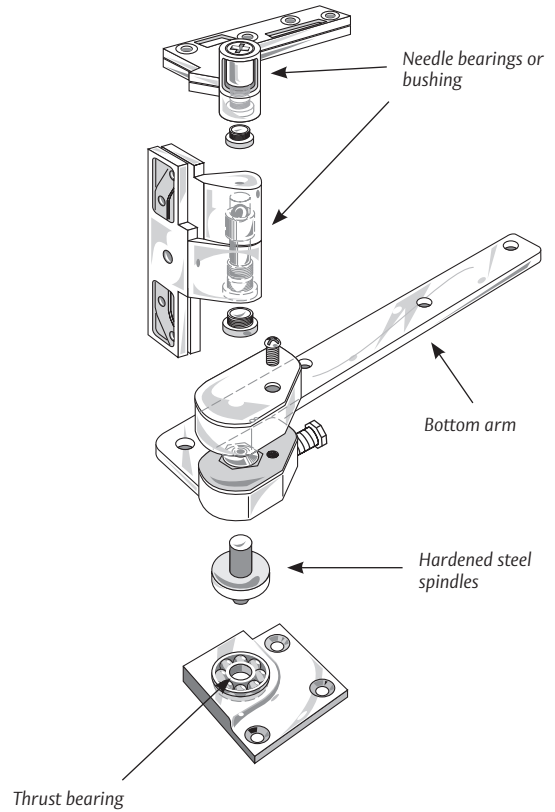


Experience a safer  
and more open world

GENERAL INFORMATION, HOW TO SELECT PRODUCT

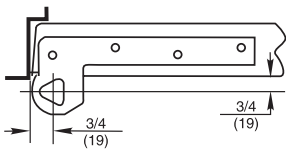
Pivot sets provide the best possible means of hanging a door. They are designed to work with the laws of physics to provide long-lasting performance and reliability.

- The weight of the door is supported at the bottom by the floor
  - Uses principles of gravity to its advantage
  - Door swings with less resistance
  - Heavier doors can be accommodated
- Reduced stress on frame
  - Fasteners are in shear, not tension
  - Eliminates door sag
  - Vertically adjustable
- Heavy-duty hardened steel spindles
  - Thrust bearing supports vertical load
  - Needle bearings and bushings for lateral force
  - Extra heavy-duty models also have an additional surface applied thrust bearing to handle heavier or high-traffic doors
- Offset pivots provide better weight distribution and can accommodate taller doors
- Intermediate pivots are used for alignment and to ensure proper installation of bottom pivot or floor closer
- Center hung pivots are used for aesthetics or if the pivot point is going to be moved nearer the lock edge of the door
- **PIVOTS DO NOT RETURN DOORS TO CENTER.** Pivots in this section are for door hanging means only. For door control see door closer catalog sections.



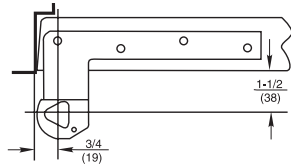
147 Pivot set and M19 Intermediate pivot shown (recommended)

## 1. OFFSET VS. CENTER HUNG APPLICATION



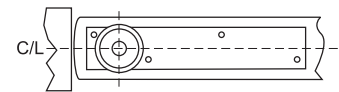
### 3/4" Offset

Pivot point located 3/4" from the heel edge of the door and 3/4" from face of door.



### 1-1/2" Offset

Pivot point located 3/4" from the heel edge of the door and 1-1/2" from face of door. Extended offsets should be used when there is cladding on the face of door or trim on the frame.



### Center Hung

Pivot point centered in thickness of door.



Experience a safer and more open world

## 2. SIZE OF DOOR (WIDTH, HEIGHT, THICKNESS)

Estimated door weights pounds per square foot (PSF)	DOOR THICKNESS		
	1-3/4"	2-1/4"	3"
Door Material	1-3/4"	2-1/4"	3"
Hollow Metal	6.5	7	—
Solid Core Wood	7	9	11.5
Aluminum/Glass Storefront	3.5	4	—
Bullet Resistant	20	21	—
MDF	7	9	11.5
Tempered Glass	GLASS THICKNESS		
	3/8"	1/2"	3/4"
Lead Lining (add to door weight)	LEAD THICKNESS		
	1/16"	1/8"	1/4"
3/4" Cladding (add to door weight)	CLADDING MATERIAL		
	Wood	Stone	Bronze
	3	10.5	28

Example: 3/6 X 8/0 X 1/2" Tempered Glass Door  
Door: 28sq ft x 7lb./sq ft = 196lbs.  
For doors of other sizes, consult factory

Example: 3/0 X 7/0 X 1-3/4" WD X 1/4" Lead lining  
Door: 21sq ft x 7lb./sq ft = 147lbs.  
Lead Lining: 9.75 = 204.75lbs.  
Total Door weight: 351.75lbs.

## 3. CYCLES

APPLICATION	DAILY CYCLES	YEARLY CYCLES	
Large department store entrance	5,000	1,500,000	High
Large office building entrance	4,000	1,200,000	
Theater entrance	1,000	365,000	
School entrance	1,250	225,000	
School restroom door	1,250	225,000	
Store or bank entrance	500	150,000	
Office building restroom door	400	118,000	
School corridor door	80	15,000	Average
Office building corridor door	75	22,000	
Store restroom door	60	18,000	
Residential entrance door	40	15,000	Low
Residential restroom door	25	9,000	
Residential hallway door	10	3,600	
Residential closet door	6	2,200	



Experience a safer  
and more open world

## OPTIONS, CERTIFICATIONS, WARRANTY, SPECIFICATIONS

**Door Thickness – Suffix 1-3/4", 2", 2-1/4", 2-1/2" or 3"**

When ordering L series pivot for lead-lined doors, the thickness of the door must be given. The purpose of the L product is to have screws spaced so they straddle the lead in the center of the door. Also used when lead lining is under the skins of the door. Recommended for use on extra heavy or high traffic doors.

**ElectroLynx® Connectors – Suffix QC – Number of Wires**

The plug-in connectors, with easy color coded wire system, eliminate matching wires. Must be used with ASSA ABLOY doors, frames and hardware. Available 4, 6, 8 or 12 wires for most products.

**Extended Spindle – Suffix extra length needed**

Any special coverings or severe door undercuts will affect the spindle height. In these applications, an extended spindle may be required. Most standard spindle heights accommodate door undercuts up to 1/2". Extended spindles available in 1/2" increments up to 2" longer than standard. See template.

**Fire Rated – Prefix F **

Pivots for fire rated doors (up to 3 hours) include a steel top pivot and must have additional steel intermediate pivots. For F519 pocket pivot, door assemblies must have been tested with pocket pivots.

**Handing**

All offset pivots and pivot sets are handed. Suffix RH or LH.

**Less Top Pivot – Suffix LTP**

For conditions requiring special top pivots or for arch top doors, the pivot set should be ordered less top pivot – LTP. For offset installations, an additional load bearing intermediate (side jamb) M190 pivot is required. All intermediate pivots for that opening should be M190's, not M19's.

**1-1/2" Offset – Suffix 1-1/2**

Offset is the distance from the face of the door to the pivot point. Extended offsets should not be used unless there is cladding on the face of the door or there is trim to clear on the frame. 1-1/2" offset arms and pivots are for doors with cladding or trim that project 3/4" from the face of the door. The greater the offset the less weight can be carried by the pivot.

**Special Layouts – Suffix SPLO#**

Unique installations or specially engineered products are called special layouts. These numbers must be assigned by the technical support department and they must be called out specifically by their number when ordering.

**Twenty-minute label – Suffix - 20 **

This UL rating is for 20-minute assemblies. Product with this rating has an authorized label.

## CERTIFICATIONS



All Rixson® pivots and pivot sets are in compliance with ANSI/BHMA A156.4 Standards. See individual products for sub sections.

## LIMITED WARRANTY

Rixson pivot sets are warranted for 2 years for defect. See Rixson Price Book for specific details of the limited warranty.

## SPECIFICATIONS

All pivots and pivot sets shall be of one manufacturer. All heavy-duty pivots shall have a minimum of 2 bearings internal to the bottom pivot. One shall be a thrust bearing and the other a needle bearing. Separate bearing surfaces shall be in the top pivot. Lead-lined door units and high traffic pivots shall have additional thrust bearing. Fire rated pivot sets shall have steel top pivots. Fire rated doors require steel intermediate pivots.

**RIXSON®**  
**ASSA ABLOY**

Experience a safer  
and more open world

# Model 173

## Application

- Interior Doors
- Weight 150 lbs.
- Door Sizes up to 3'0" x 8'0" x 1-3/4" (914x2438x44mm)
- Handed

## Product Description & Features

- 180 top pivot included
- 119 intermediate pivot recommended for all doors over 6'8" (2032mm) (order separately)
- 3/4" (19mm) offset only (measured from centerline of pivot to face of door)
- Door edges must be beveled 1/8" in 2"
- Bottom pivot mounts directly to concrete floor
- 3/8" (10mm) vertical adjustment
- No spindle extensions available
- Door will swing 180°, trim permitting
- Uses same arm and cap as 117 pivot set
- Non-ferrous base metal
- Furnished with wood and metal screws

## Optional Features

- Available for 1-1/2" (38mm) offset (door weight 100 lbs.) for doors with cladding or frame molding

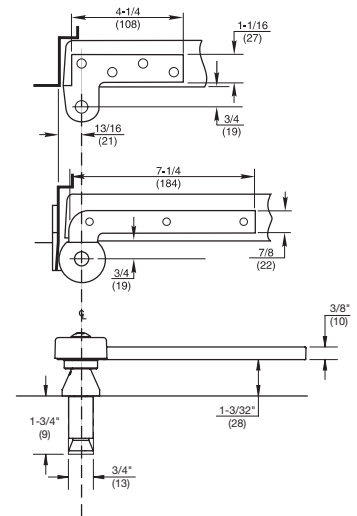
## Compliance

- ANSI/C07162/C07202



## Technical Information

(Frame stop required)



Experience a safer  
and more open world

### Application

- Interior Doors
- Weight to 250 lbs.\*
- Door Width up to 3'6" (1067mm)
- Handed

### Product Description & Features

- 180 top pivot included
- 119 intermediate pivot recommended (order separately)
- 3/4" (19mm) offset (measured from centerline of pivot to face of door)
- Door edges must be beveled 1/8" in 2"
- Bottom pivot mortised into side jamb
- Weight of door borne by floor
- Not available for fire-rated doors
- Non-ferrous base material
- Doors 60" (1524mm) to 90" (2286mm) in height should use one intermediate pivot. Each additional 30" (762mm) of door height warrants another intermediate pivot
- Furnished with wood and machine screws

### Optional Features

- Extended spindles available in 1/2" (13mm) increments up to 2" (51mm) longer than standard

### Compliance

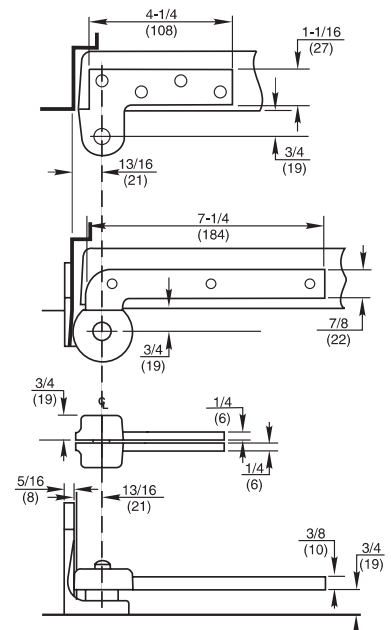
- ANSI/C07172

\* Door size & weight guidelines are determined using the appropriate number of intermediate pivots



### Technical Information

(Frame stop required)



**RIXSON**<sup>®</sup>  
**ASSA ABLOY**

Experience a safer  
and more open world



## Application

- Interior Doors
- Weight to 300 lbs.\*
- Door Width up to 3'6" (1067mm)
- Handed

## Product Description & Features

- 180 top pivot included
- 119 intermediate pivot recommended (order separately)
- 3/4" (19mm) offset (measured from centerline of pivot to face of door)
- Door edges must be beveled 1/8" in 2
- Bottom pivot mortised into floor
- Non-ferrous base material
- Doors will swing 180°, trim permitting
- Doors up to 90" (2286mm) in height should use one intermediate pivot. Each additional 30" (762mm) of door height warrants another intermediate pivot
- Furnished with wood and machine screws

## Optional Features

- Available for 1-1/2" (38mm) offset (door weight 150 lbs.) for doors with cladding or frame molding
- Extended spindles available in 1/2" (13mm) increments up to 2" (51mm) longer than standard

## Compliance

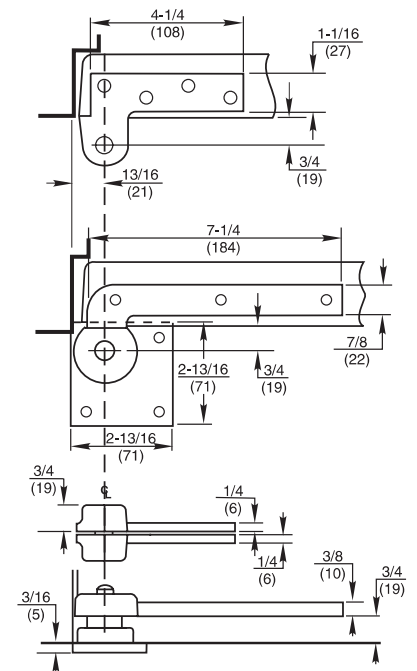
- Available for fire door assemblies up to three hours – specify F117. Intermediate pivot required by UL. Specify FM19 (order separately).
- For 20-minute label suffix "-20" to the part number
- ANSI/C07162/C07202

\* Door size & weight guidelines are determined using the appropriate number of intermediate pivots



## Technical Information

(Frame stop required)



**Application**

- Exterior or Interior Doors
- For Doors Without Bottom Pivots
- Weight to 300 lbs.\*
- Door Width up to 3'6" (1067mm)
- Handed

**Product Description & Features**

- Set consists of one H180 top pivot and two each M190 intermediate pivots
- Not available for fire door assemblies
- 3/4" (19mm) offset (measured from centerline of pivot to face of door)
- Door edges must be beveled 1/8" in 2"
- Doors will swing 180°, trim permitting
- Non-ferrous base material
- Doors 60" (1524mm) to 90" (2286mm) in height have two intermediate pivots. Each additional 30" (762mm) of door height warrants another intermediate pivot
- Furnished with wood and machine screws

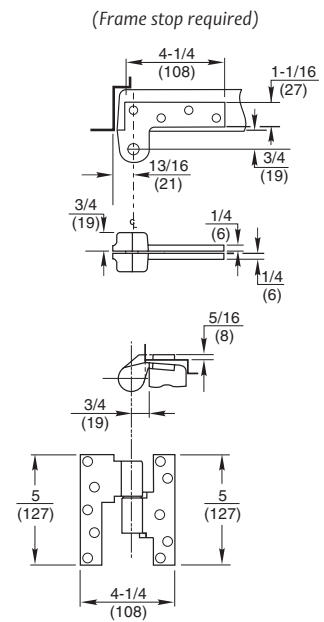
**Compliance**

- ANSI/C07162 (modified)

\*Door size & weight guidelines are determined using the appropriate number of intermediate pivots



**Technical Information**



Experience a safer  
 and more open world

## Application

- Exterior or Interior Doors
- Weight to 450 lbs.\*
- Door Width up to 4'0" (1219mm)
- Handed

## Product Description & Features

- 180 top pivot included
- 119 or M19 intermediate pivots are recommended (order separately)
- 3/4" (19mm) offset (measured from centerline of pivot to face of door)
- Door edges must be beveled 1/8" in 2"
- Bottom pivot mortised into side jamb
- Pivot set can be vertically adjusted up to 3/16" (5mm) after installation without the use of shims
- Weight of door is borne by floor portion
- Doors will swing 180°, trim permitting
- Non-ferrous base material
- Doors 60" (1524mm) to 90" (2286mm) in height should use one intermediate pivot. Each additional 30" (762mm) of door height warrants another intermediate pivot
- Furnished with wood and machine screws

## Optional Features

- Extended spindles available in 1/2" (13mm) increments up to 2" (51mm) longer than standard

## Compliance

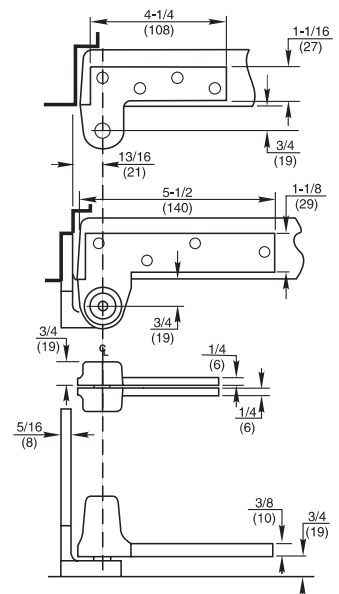
- Available for fire door assemblies up to three hours. Specify F195. Intermediate pivot required by UL. Specify FM19 (order separately)
- ANSI/C07172

\* Door size & weight guidelines are determined using the appropriate number of intermediate pivots



## Technical Information

(Frame stop required)



**Application**

- Exterior or Interior Doors
- For Arch Top Doors or Overhead Concealed Closers
- Weight to 500 lbs.
- Door Width up to 3'6" (1067mm)
- Handed

**Product Description & Features**

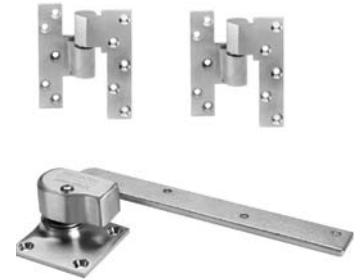
- Set consists of two each M190 intermediate pivots and bottom pivot
- 3/4" (19mm) offset (measured from centerline of pivot to face of door)
- Door edges must be beveled 1/8" in 2"
- Bottom pivot mounts directly to floor
- Doors will swing 180°, trim permitting
- Non-ferrous base material
- Doors 60" (1524) to 90" (2286mm) in height have two intermediate pivots. Each additional 30" (762mm) of door height warrants another intermediate pivot
- Furnished with wood and machine screws

**Optional Features**

- Extended spindles available in 1/2" (13mm) increments up to 2" (51mm) longer than standard

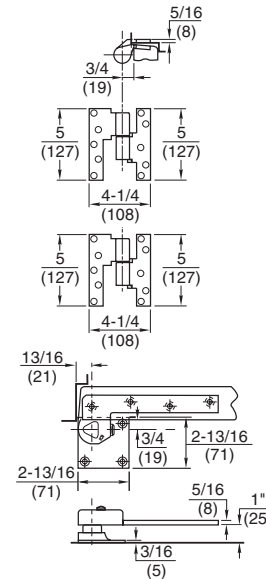
**Compliance**

- Available for fire door assemblies up to three hours. Specify F547. Intermediate pivots (FM190) included
- For 20-minute label suffix "-20" to the part number
- ANSI/C07162 (modified)/C07202



**Technical Information**

(Frame stop required)



Experience a safer  
 and more open world

## Application

- Exterior or Interior Doors
- Weight to 600 lbs.\*
- Door Width up to 4'0" (1219mm)
- Handed

## Product Description & Features

- 180 top pivot included
- M19 intermediate pivot required (order separately)
- 3/4" (19mm) offset (measured from centerline of pivot to face of door)
- Door edges must be beveled 1/8" in 2"
- Bottom pivot mounts directly to floor
- Doors will swing 180°, trim permitting
- Uses same arm and cap as 27 floor closer
- Non-ferrous base material
- Doors 60" (1524mm) to 90" (2286mm) in height should use one intermediate pivot. Each additional 30" (762mm) of door height warrants another intermediate pivot
- Furnished with wood and machine screws

## Optional Features

- Available for 1-1/2" (38mm) offset (door weight 350 lbs.) for doors with cladding or frame molding
- Extended spindles available in 1/2" (13mm) increments up to 2" (51mm) longer than standard

## Compliance

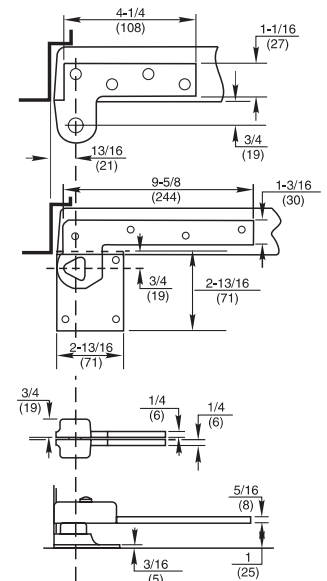
- Available for fire door assemblies up to three hours (ferrous material) – specify F147. Intermediate pivot required by UL. Specify FM19 (order separately)
- For 20-minute label suffix "-20" to the part number
- ANSI/C07162/C07202

\* Door size & weight guidelines are determined using the appropriate number of intermediate pivots



## Technical Information

(Frame stop required)



**Application**

- Exterior or Interior Doors
- Weight to 650 lbs.\*
- Door Width up to 4'0" (1219mm)
- Handed

**Product Description & Features**

- 180 top pivot included
- M19 intermediate pivot required (order separately)
- 3/4" (19mm) offset (measured from centerline of pivot to face of door)
- Door edges must be beveled 1/8" in 2"
- Bottom pivot mortised into floor
- Doors will swing 180°, trim permitting
- Non-ferrous base material
- Doors 60" (1524mm) to 90" (2286mm) in height should use one intermediate pivot. Each additional 30" (762mm) of door height warrants another intermediate pivot
- Furnished with wood and machine screws

**Optional Features**

- Available for 1-1/2" (38mm) offset (door weight 350 lbs.) for doors with cladding or frame molding
- Extended spindles available in 1/2" (13mm) increments up to 2" (51mm) longer than standard

**Compliance**

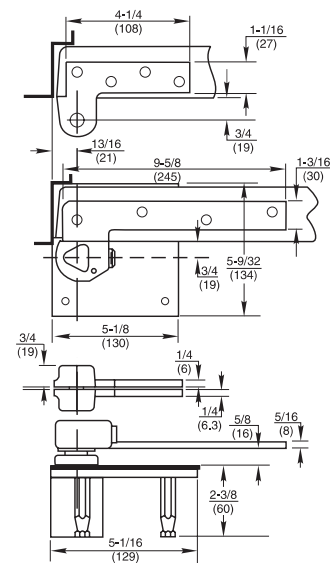
- Available for fire door assemblies up to three hours (ferrous material) – specify F117-1/2
- Intermediate pivot required by UL. Specify FM19 (order separately)
- For 20-minute label suffix "-20" to the part number
- ANSI C07121/C07202

\* Door size & weight guidelines are determined using the appropriate number of intermediate pivots



**Technical Information**

(Frame stop required)



Experience a safer  
 and more open world

## Application

- Exterior or Interior Doors
- Lead-Lined, Heavy, High Traffic Doors
- Weight to 800 lbs.
- Door Width up to 4'0" (1219mm)
- Handed

## Product Description & Features

- L180 top pivot included
- ML19 intermediate pivot required (order separately)
- 3/4" (19mm) offset (measured from centerline of pivot to face of door)
- Door edges must be beveled 1/8" in 2"
- Bottom pivot mounts directly to floor
- Doors with lead lining under the skin should also use this product.
- Screw holes in top pivot and bottom arm spaced to straddle lead lining in the middle of the door
- Doors will swing 180°, trim permitting
- Non-ferrous base material
- Doors 60" (1524mm) to 90" (2286mm) in height should use one intermediate pivot. Each additional 30" (762mm) of door height warrants another intermediate pivot
- Available to accommodate lead in door thicknesses 1-3/4" (44mm), 2" (51mm), 2-1/4" (57mm), 2-1/2" (64mm), or 3" (76mm) – specify when ordering
- Furnished with wood and machine screws

## Optional Features

- Extended spindles available in 1/2" (13mm) increments up to 2" (51mm) longer than standard

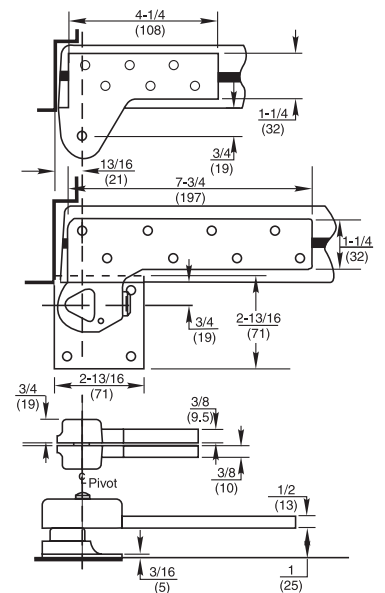
## Compliance

- Available for fire door assemblies up to three hours for 1-3/4" (44mm) doors only (ferrous material) – specify FL147. Intermediate pivot required by UL. Specify FML19 (order separately)
- For 20-minute label suffix "-20" to the part number
- ANSI/C07162/C07202



## Technical Information

(Frame stop required)



1-3/4" door shown

**Application**

- Exterior or Interior Doors
- Lead-Lined, Heavy, High Traffic Doors
- Weight to 1,750 lbs.\*
- Door Width up to 4'0" (1219mm)
- Handed

**Product Description & Features**

- L180 top pivot included
- ML19 intermediate pivot required (order separately)
- 3/4" (19mm) offset (measured from centerline of pivot to face of door)
- Door edges must be beveled in 1/8" in 2"
- Bottom pivot mortised into floor
- Available to accommodate lead in door thicknesses 1-3/4" (44mm), 2" (51mm), 2-1/4" (57mm), 2-1/2" (64mm), or 3" (76mm) – specify when ordering
- Additional thrust bearing for greater load capacity
- Doors will swing 180°, trim permitting
- Non-ferrous base material for top pivot
- Doors 60" (1524mm) to 90" (2286mm) in height should use one intermediate pivot. Each additional 30" (762mm) of door height warrants another intermediate pivot
- Furnished with wood and machine screws

**Optional Features**

- Extended spindles available in 1/2" (13mm) increments up to 2" (51mm) longer than standard

**Compliance**

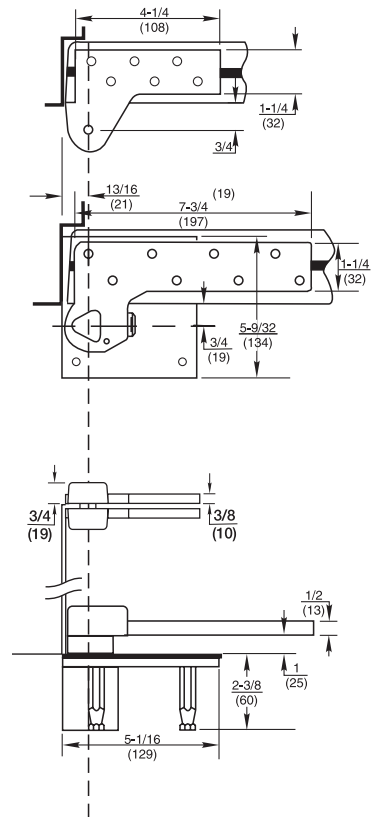
- Available for fire door assemblies up to three hours (ferrous material). Specify FL117. Intermediate pivot required by UL. Specify FML19 (order separately). Note: UL listing for 1-3/4" thick doors only
- For 20-minute label suffix "-20" to the part number
- ANSI/C07111

\* Door size & weight guidelines are determined using the appropriate number of intermediate pivots



**Technical Information**

(Frame stop required)



Pivot for 1-3/4" door shown



Experience a safer  
 and more open world



## Model 180

### Application

- Full Mortise
- Non-handed

### Product Description & Features

- Standard top pivot for most offset pivot sets and floor closers
- Oil-impregnated sintered bronze bushing
- 3/4" (19mm) offset (measured from centerline of pivot to face of door)
- Non-ferrous base material
- Furnished with wood and machine screws

### Optional Features

- Available for 1-1/2" (38mm) offset
- For extra wide or high traffic prefix "H" – H pivots have heavy-duty needle bearings; available in 1-1/2" (38mm) offset
- Available with longer than standard pivot pins. Increments are 1/4" (6mm), 1/2" (13mm), 3/4" (19mm) only

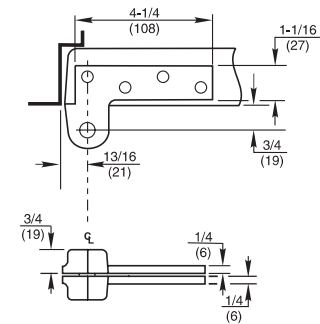
### Compliance

- Available for fire door assemblies (ferrous material) – specify F180 or FH180
- For 20-minute label suffix "-20" to the part number



### Technical Information

(Frame stop required)



## Model 180 X 102

### Application

- Full Mortise
- Handed

### Product Description & Features

- Special top pivot for doors in deep reveals or unusual door details where one leaf is too long for the normal door or frame portion
- Oil-impregnated sintered bronze bushings
- Non-ferrous base metal
- May be inverted
- Furnished with wood and machine screws

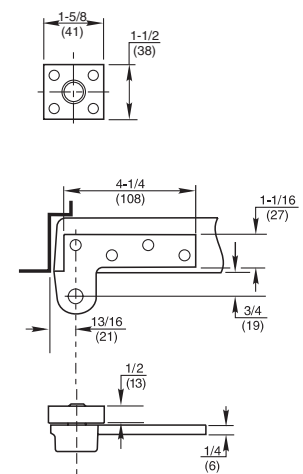
### Optional Features

- Available for 1-1/2" (38mm) offset
- Available with longer than standard pivot pins. Increments are 1/4" (6mm), 1/2" (13mm), 3/4" (19mm) only



### Technical Information

(Frame stop required)



**RIXSON®**  
**ASSA ABLOY**

Experience a safer  
and more open world

### Application

- Half Surface
- Handed

### Product Description & Features

- Flush door and frame application only
- Optional top pivot where door portion cannot be mortised
- 1-3/4" (44mm) door only
- 3/4" (19mm) offset (measured from centerline of pivot to face of door)
- Contact factory if door is not flush
- Non-ferrous base material
- Furnished with wood and machine screws

### Optional Features

- Available with longer than standard pivot pins. Increments are 1/4" (6mm), 1/2" (13mm), 3/4" (19mm) only

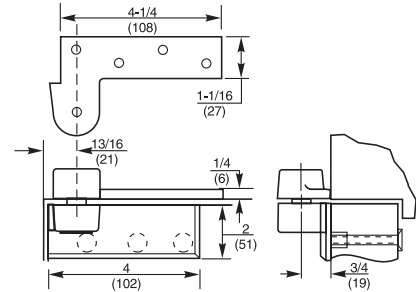
### Compliance

- Available for fire door assemblies (ferrous material) – specify F280
- ANSI/C07501

## Model 280



### Technical Information



## Model 380

### Application

- Half Mortise
- Handed

### Product Description & Features

- Flush door and frame application only
- Optional top pivot where jamb portion cannot be mortised
- Designed for channel iron door frames with aluminum, hollow metal or wood doors
- 3/4" (19mm) offset (measured from centerline of pivot to face of door)
- Non-ferrous base material
- Furnished with wood and machine screws

### Optional Features

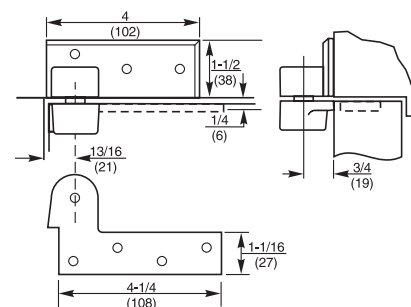
- Door portion from L180 pivot is available if lead-lined doors are used – specify L380 and door thickness
- Available with longer than standard pivot pins. Increments are 1/4" (6mm), 1/2" (13mm), 3/4" (19mm) only

### Compliance

- Available for fire door assemblies (ferrous material) – specify F380
- ANSI/C07511



### Technical Information



**RIXSON®**  
**ASSA ABLOY**

## Model 480

### Application

- Full Surface
- Handed

### Product Description & Features

- Flush door and frame application only
- Optional top pivot where door and jamb portion cannot be mortised
- Designed for channel iron door frames and any door where thru-bolting is advantageous
- 3/4" (19mm) offset (measured from centerline of pivot to face of door)
- 1-3/4" (44mm) door only
- Non-ferrous base material
- Furnished with wood and machine screws

### Optional Features

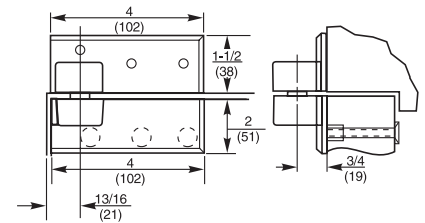
- Available with longer than standard pivot pins. Increments are 1/4" (6mm), 1/2" (13mm), 3/4" (19mm) only

### Compliance

- Available for fire door assemblies (ferrous material) – specify F480
- ANSI/C07521



### Technical Information



## Model 680

### Application

- Side Jamb Mounted
- Frame Portion
- Handed

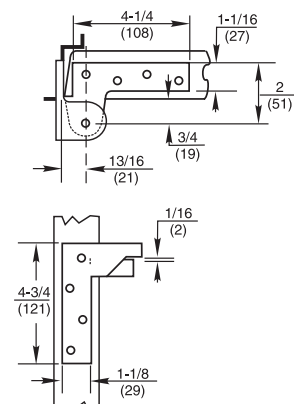
### Product Description & Features

- Used where no frame exists above door, or where it is not possible to anchor pivot into header of frame
- Side jamb portion can be surface mounted or mortised
- Non-ferrous base material
- 3/4" (19mm) offset (measured from centerline of pivot to face of door)
- Door edges must be beveled in 1/8" in 2"
- Furnished with wood and machine screws
- Possible mountings:
  - Surface mount jamb; double mortise door
  - Mortise jamb, header and door
  - Mortise jamb and door



### Technical Information

(Frame stop required)



**RIXSON**<sup>®</sup>  
**ASSA ABLOY**

Experience a safer  
and more open world

## Application

- Behavioral Health Design
- Full Mortise
- Handed

## Product Description & Features

- Standard top pivot for SEC27-180 floor closer packages
- Optional top pivot for institutional use or installations where flat surfaces are objectionable
- Ferrous base material
- 3/4" (19mm) offset (measured from centerline of pivot to face of door)
- Furnished with wood and machine Torx® screws

## Optional Features

- Available with longer than standard pivot pins. Increments are 1/4" (6mm), 1/2" (13mm), 3/4" (19mm) only

## Compliance

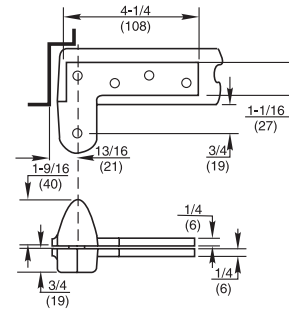
- For fire door assemblies

## Model FA180



## Technical Information

(Frame stop required)



## Model L180

## Application

- Lead-Lined, Heavy, High Traffic Doors
- Full Mortise
- Non-handed

## Product Description & Features

- Standard top pivot for L147, L117 pivots and L27 floor closers
- Doors with lead lining under the skin should also use this product
- Screw holes spaced to straddle lead in the middle of the door
- Available to accommodate lead lined door thicknesses: 1-3/4" (44mm), 2" (51mm), 2-1/4" (57mm), 2-1/2" (64mm), or 3" (76mm) – specify when ordering
- 3/4" (19mm) offset (measured from centerline of pivot to face of door)
- Non-ferrous base material
- Furnished with wood and machine screws

## Optional Features

- Available with longer than standard pivot pins. Increments are 1/4" (6mm), 1/2" (13mm), 3/4" (19mm) only

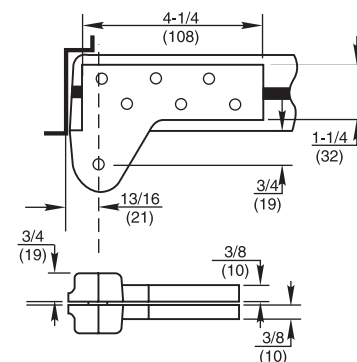
## Compliance

- Available for fire door assemblies for 1-3/4" (19mm) doors only (ferrous material). Specify FL180
- For 20-minute label suffix "-20" to the part number



## Technical Information

(Frame stop required)



1-3/4" door shown

**RIXSON®**  
**ASSA ABLOY**

Experience a safer  
and more open world

## Model 119

### Application

- Full Mortise
- Handed

### Product Description & Features

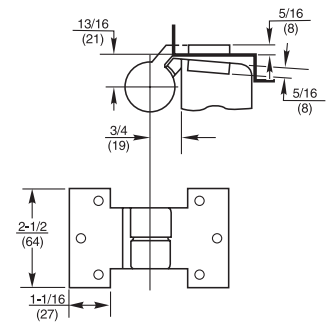
- Not load-bearing
- Maintains door alignment
- Available 3/4" (19mm) offset only
- Door edges must be beveled in 1/8" in 2"
- Used with 117, 117-1/4, 195 pivot sets and 127 and 427 floor closers
- Non-ferrous base material
- Doors 60" (1524mm) to 90" (2286mm) in height should use one intermediate pivot. Each additional 30" (762mm) of door height warrants another intermediate pivot
- Furnished with wood and machine screws

### Compliance

- ANSI/C07382



### Technical Information



## Model 219

### Application

- Half Surface
- Handed

### Product Description & Features

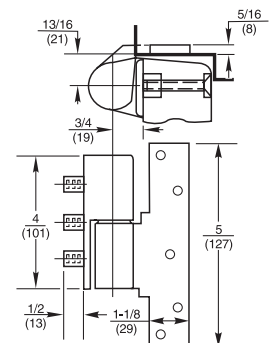
- Flush door and frame applications only
- Optional intermediate pivot where door portion cannot be mortised
- Maintains door alignment
- 3/4" (19mm) offset only
- 1-3/4" (44mm) door only
- Door edges must be beveled in 1/8" in 2"
- Non-ferrous base material
- Doors up to 90" (2286mm) in height should use one intermediate pivot. Each additional 30" (762mm) warrants another intermediate pivot
- Furnished with wood and machine screws

### Compliance

- ANSI/C07331



### Technical Information



**RIXSON**<sup>®</sup>  
**ASSA ABLOY**

Experience a safer  
and more open world

### Application

- Half Mortise
- Handed

### Product Description & Features

- Flush door and frame applications only
- Optional intermediate pivot where jamb portion cannot be mortised
- Maintains door alignment
- 3/4" (19mm) offset only
- Door edges must be beveled in 1/8" in 2"
- Non-ferrous base material
- Doors up to 90" (2286mm) in height should use one intermediate pivot. Each additional 30" (762mm) warrants another intermediate pivot
- Furnished with wood and machine screws

### Optional Features

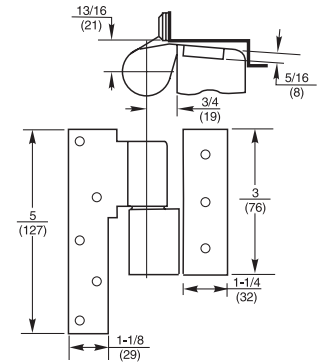
- Door portion from ML19 pivot is available if lead-lined door is used – specify L319 and door thickness

### Compliance

- ANSI/C07341



### Technical Information



### Application

- Full Surface
- Handed

### Product Description & Features

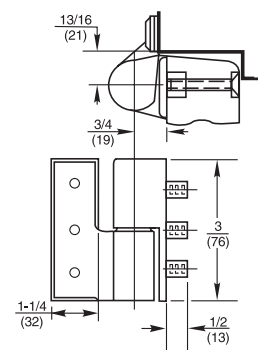
- Flush door and frame applications only
- Optional intermediate pivot where door and jamb portion cannot be mortised
- Maintains door alignment
- 3/4" (19mm) offset only
- Non-ferrous base material
- 1-3/4" (44mm) door only
- Doors up to 90" (2286mm) in height should use one intermediate pivot. Each additional 30" (762mm) warrants another intermediate pivot
- Furnished with wood and machine screws

### Compliance

- ANSI/C07351



### Technical Information



**RIXSON®**  
**ASSA ABLOY**

Experience a safer  
and more open world

## Model FA19

### Application

- Full Mortise
- Behavioral Health or High Security Applications
- Handed

### Product Description & Features

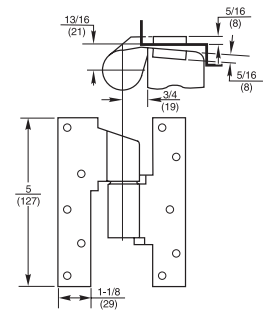
- Optional intermediate pivot for institutional use or installations where flat surfaces are objectionable
- Maintains door alignment
- Aids in installing bottom pivots
- 3/4" (19mm) offset
- Door edges must be beveled in 1/8" in 2"
- Ferrous base material
- Doors 60" (1524mm) to 90" (2286mm) in height should use one intermediate pivot. Each additional 30" (762mm) warrants another intermediate pivot
- Furnished with wood and machine Torx® screws

### Compliance

- May be used with fire door assemblies
- ANSI/C07361



### Technical Information



## Model M19

### Application

- Full Mortise
- Handed

### Product Description & Features

- Not load-bearing
- Maintains door alignment
- Aids in installing floor closers and bottom pivots
- 3/4" (19mm) offset
- Door edges must be beveled in 1/8" in 2"
- Non-ferrous base metal
- Doors 60" (1524mm) to 90" (2286mm) in height should use one intermediate pivot. Each additional 30" (762mm) warrants another intermediate pivot
- Furnished with wood and machine screws

### Optional Features

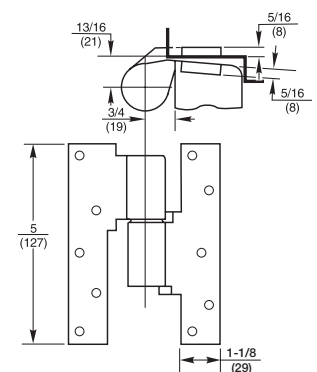
- Available for 1-1/2" (38mm) offset

### Compliance

- Available for fire door assemblies (ferrous material) - specify FM19
- For 20-minute label suffix "-20" to the part number
- ANSI/C07321/C07371



### Technical Information



**RIXSON®**  
**ASSA ABLOY**

Experience a safer  
and more open world

## Application

- Heavy-Duty Full Mortise
- Handed

## Product Description & Features

- Used when frame condition does not allow standard top pivot
- Lateral load-bearing
- Maintains door alignment
- Aids in installing floor closers and bottom pivots
- Heavy-duty needle bearing
- 3/4" (19mm) offset standard
- Door edges must be beveled in 1/8" in 2"
- Non-ferrous base metal
- Doors 60" (1524mm) to 90" (2286mm) in height should use one intermediate pivot. Each additional 30" (762mm) warrants another intermediate pivot
- Furnished with wood and machine screws

## Optional Features

- Available for 1-1/2" (38mm) offset

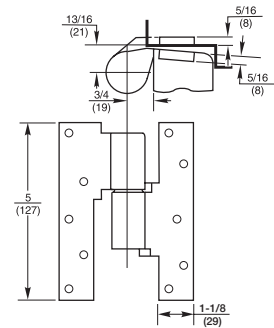
## Compliance

- Available for fire door assemblies (ferrous material) – specify FM190
- For 20-minute label suffix "-20" to part number
- ANSI/C07321/C07371

## Model M190



## Technical Information



## Application

- Full Mortise
- Lead-Lined, Heavy or High Traffic Doors
- Handed

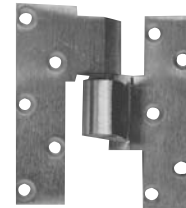
## Product Description & Features

- Load-bearing
- Screw holes spaced to straddle lead lining in center of door. Also use on extra heavy or high traffic door
- Maintains door alignment
- Aids in installing closers and pivots
- Door edges must be beveled in 1/8" in 2"
- Available to accommodate door thicknesses 1-3/4" (44mm), 2" (51mm), 2-1/4" (57mm), 2-1/2" (64mm), or 3" (76mm) – specify thickness when ordering
- Non-ferrous base material
- Doors 60" (1524mm) to 90" (2286mm) in height should use one intermediate pivot. Each additional 30" (762mm) warrants another intermediate pivot
- Furnished with wood and machine screws

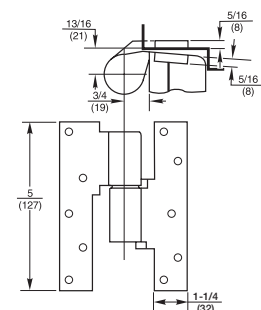
## Compliance

- Available for fire door assemblies – 1-3/4" (44mm) door only – specify FML19
- For 20-minute label suffix "-20" to the part number
- ANSI/C07311

## Model ML19



## Technical Information



**RIXSON**<sup>®</sup>  
**ASSA ABLOY**

Experience a safer  
and more open world



## Model E-M19

### Application

- Offset Hung
- Electric Pivot for Power Transfer
- Handed

### Product Description & Features

- Not load-bearing
- Door and jamb portion are factory assembled and cannot be separated
- Always use M19 intermediate pivot to install door
- Specify four, six, eight or twelve wires
- ElectroLynx® option available, suffix "QC#" (number of wires)
- 24-gauge wire is rated at 2 amps for low voltage, Class II wiring applications
- 3/4" (19mm) offset
- Door edges must be beveled in 1/8" in 2"
- Furnished with wood and machine screws

### Optional Features

- Available 1-1/2" offset

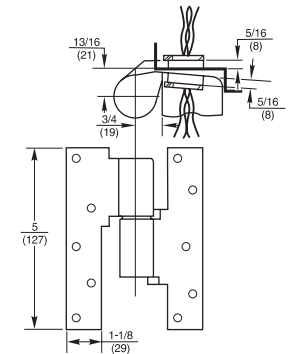
### Compliance

- Available for fire door assemblies (ferrous material) – specify E-FM19
- For 20-minute label, suffix "-20" to the part number

*Whenever power transfer pivots are used, the leaves must not be separated*



### Technical Information



## Model E-M19U

### Application

- Offset Hung
- Electric Pivot for Power Transfer
- Handed
- For Electrified Panic Devices with Large Inrush Current

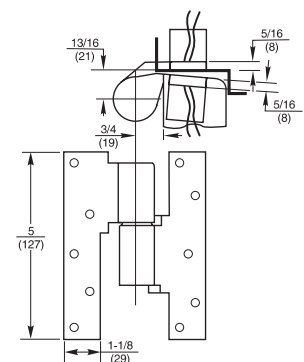
### Product Description & Features

- Not load-bearing
- Door and jamb portion are factory assembled and cannot be separated
- Two each 18 gauge wires. Each wire is rated at 2 amps continuously. UL listed for 24-volt, Class I wiring
- ElectroLynx® option not available
- Junction boxes are supplied with pivots
- Not available in ferrous material
- 3/4" (19mm) offset
- Always use M19 intermediate pivot to install door
- Door edges must be beveled in 1/8" in 2"
- Furnished with wood and machine screws

*Whenever power transfer pivots are used, the leaves must not be separated*



### Technical Information



**RIXSON®**  
**ASSA ABLOY**

Experience a safer  
and more open world

## Application

- Offset Hung
- Lead Lined or Extra Heavy Doors
- Electric Pivot for Power Transfer
- Handed

## Product Description & Features

- Not load-bearing
- Door and jamb portion are factory assembled and cannot be separated
- Specify four, six, eight or twelve wires
- ElectroLynx® option available, suffix "QC#" (number of wires)
- 24-gauge wire is rated at 2 amps for low voltage, Class II wiring applications
- 3/4" (19mm) offset
- Available 1-3/4" (44mm) doors only
- Always use ML19 intermediate pivot to install door
- Door edges must be beveled in 1/8" in 2"
- Furnished with wood and machine screws

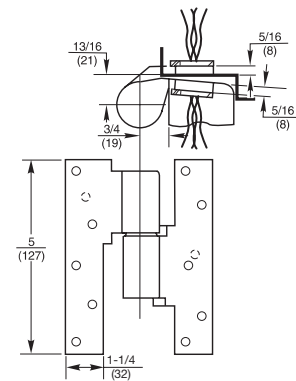
## Compliance

- Available for fire door assemblies (ferrous base material) specify E-FML19
- For 20-minute label, suffix "-20" to the part number

*Whenever power transfer pivots are used, the leaves must not be separated*



## Technical Information



**RIXSON®**  
**ASSA ABLOY**

Experience a safer  
and more open world

## Application

- Pocket Door Pivot
- Non-handed

## Product Description & Features

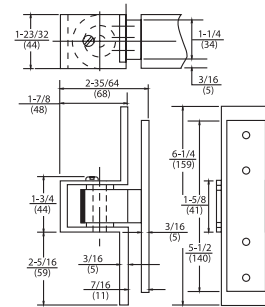
- Full mortise, non-handed pivot for pocket door applications
- Heavy-duty steel pivot with ball bearings
- Allows doors to swing 90°
- Minimum three pocket pivots per door
- Doors 60" (1524mm) to 90" (2286mm) in height require four pocket pivots. Every additional 30" (762mm) of door height warrants another pocket pivot
- Furnished with wood and machine screws

## Compliance

- UL listed for all labeled pocket fire-door assemblies up to and including 3 hours
- Fire-rated door assemblies must have been tested with pocket pivots
- ANSI/C07611



## Technical Information



# Model E-F519

## Application

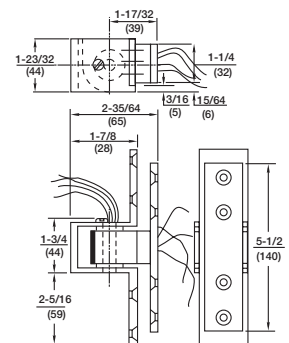
- Pocket Door Pivot
- Electric Pivot for Power Transfer
- Non-handed

## Product Description & Features

- Full mortise, non-handed pivot for pocket door applications
- Door and jamb portions are factory assembled and cannot be separated
- Always use as middle pivot
- Available with four wires only
- ElectroLynx® option available, suffix "QC4"
- 24-gauge wire is rated at 2 amps for low voltage, Class II wiring applications
- Heavy-duty steel pivot with ball bearings
- Allows doors to swing 90°
- Minimum three pocket pivots per door
- Doors over 90" (2286mm) in height require four pocket pivots. Every additional 30" (762mm) of door height warrants another pocket pivot
- Furnished with wood and machine screws



## Technical Information



Experience a safer  
and more open world

### Application

- Interior Doors
- Weight up to 150 lbs.
- Door Sizes up to 3'0" x 8'0" (914x2438mm)
- Door Thickness 1-3/8" to 1-3/4" (34-44mm)
- Non Handed

### Product Description & Features

- 320 top pivot included
- Bottom pivot mounts directly into concrete floor
- Pivot point centered in thickness of the door
- Door must have radius on pivot edge
- Not allowed for use on labeled doors and frames
- 3/8" (10mm) vertical adjustment
- No spindle extensions available
- Furnished with wood and machine screws

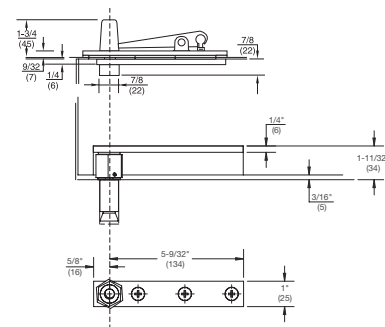
### Compliance

- ANSI/C07032

## Model 176



### Technical Information



## Model 178

### Application

- Interior Doors
- Weight to 175 lbs.
- Door Sizes up to 3'0" x 8'0" (914 x 2438mm)
- Non Handed

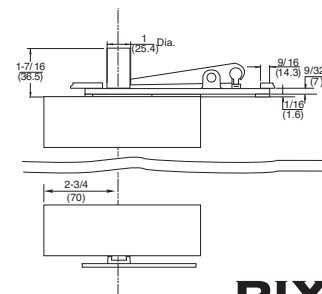
### Product Description & Features

- Used on full glass doors
- Doors do not return to center
- Accommodates glass thicknesses 3/8"-1/2" (10-13mm)
- Includes special floor portion, top and bottom patch fittings and walking beam top pivot

Center hung pivots are door hanging means only. To close doors see closer sections of the catalogs.



### Technical Information



**RIXSON**<sup>®</sup>  
**ASSA ABLOY**

Experience a safer  
and more open world

## Model 127-3/4

### Application

- Interior Doors
- Weight to 200 lbs.
- Door Sizes up to 3'6" x 8'6" (1067 x 2591mm)
- Non-handed

### Product Description & Features

- 320 top pivot included
- Bottom pivot mortised into side jamb
- Weight of door borne by floor
- Pivot point centered in thickness of door
- Door must have radius on pivot edge
- Not allowed for use on labeled doors and frames
- Pivot point remains constant at 1-1/4" (32mm) from the edge of the door
- Furnished with wood and machine screws

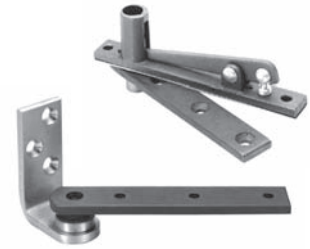
### Optional Features

- Available with extended spindles in 1/2" (13mm) increments up to 2" (51mm) longer than standard

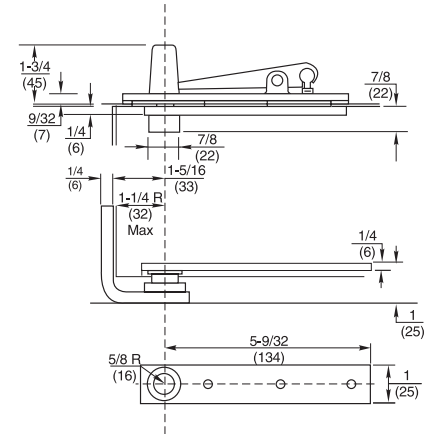
### Compliance

- ANSI/C07042

Center hung pivots are door hanging means only. To close doors, see floor closer sections of the catalogs.



### Technical Information



## Model 128-3/4

### Application

- Identical to the 127-3/4 except
- Weight to 250 lbs.

### Features

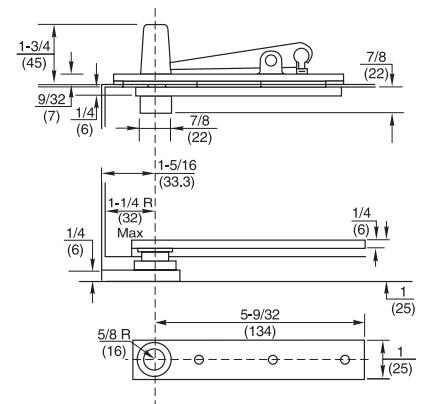
- Bottom pivot mounts directly to floor

### Compliance

- ANSI/C07032



### Technical Information



**RIXSON**<sup>®</sup>  
**ASSA ABLOY**

Experience a safer  
and more open world

## Application

- Exterior or Interior Doors
- Weight to 500 lbs.
- Door Sizes up to 3'8"x 8'6"\* (1118 x 2591mm)
- Non-handed

## Product Description & Features

- 340 top pivot included
- Bottom pivot mounts directly to floor
- Pivot point centered in thickness of door
- Door must have radius on pivot edge
- Pivot set features sealed bearings for protection against weather and debris
- Not allowed for use on labeled doors and frames
- Furnished with wood and machine screws

## Optional Features

- Available with extended spindles in 1/2" (13mm) increments up to 2" (51mm) longer than standard

## Compliance

- ANSI/CO7032

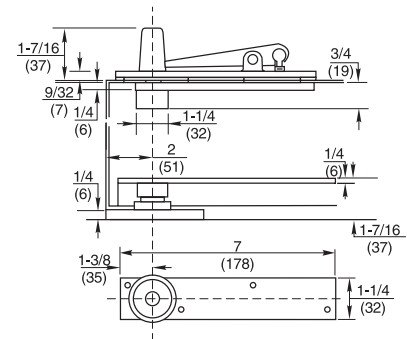
Center hung pivots are door hanging means only. To close doors, see floor closer sections of the catalogs.

\*For doors taller than 8'6" use top pivot 345 in lieu of 340

## Model 370



## Technical Information



## Model 375

## Application

- Exterior or Interior Doors
- Weight to 500 lbs.
- Door Sizes up to 3'8"x 8'6"\* (1118 x 2591mm)
- Non-handed

## Product Description & Features

- 345 top pivot included
- Bottom pivot mounts directly to floor
- Pivot point centered in thickness of door
- Door must have radius on pivot edge
- Pivot set features sealed bearings for protection against weather and debris
- Not allowed for use on labeled doors and frames
- Furnished with wood and machine screws

## Optional Features

- Available with extended spindles in 1/2" (13mm) increments up to 2" (51mm) longer than standard

## Compliance

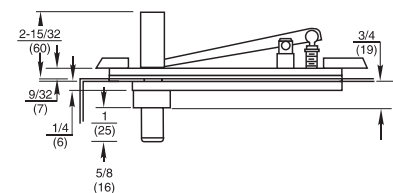
- ANSI/CO7032

Center hung pivots are door hanging means only. To close doors, see floor closer sections of the catalogs.

\*For doors taller than 8'6" use top pivot 345 in lieu of 340



## Technical Information



For bottom portion see 370 above

**RIXSON**<sup>®</sup>  
**ASSA ABLOY**

Experience a safer  
and more open world

## Application

- Exterior or Interior Doors
- Weight to 600 lbs.
- Door Sizes up to 4'0" x 8'6" (1219 x 2591mm)
- Non-handed

## Product Description & Features

- 340 top pivot included
- Bottom pivot is mortised into floor
- Pivot point centered in thickness of door
- Door must have radius on pivot edge
- Heavy-duty bearings
- Pivot set features sealed bearings for protection against weather and debris
- Not allowed for use on labeled doors and frames
- Furnished with wood and machine screws

## Optional Features

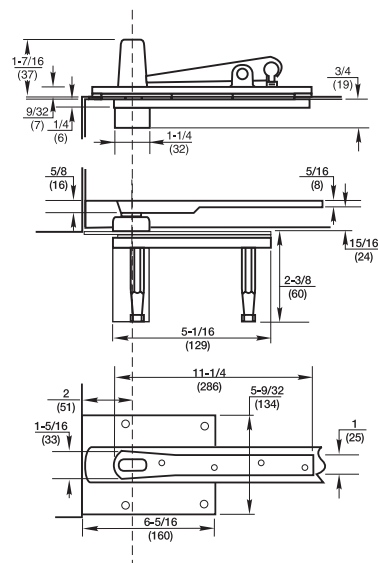
- Available with extended spindles in 1/2" (13mm) increments up to 2" (51mm) longer than standard

Center hung pivots are door hanging means only. To close doors, see floor closer sections of the catalogs.

\*For doors taller than 8'6" use top pivot 345 in lieu of 340



## Technical Information



## Application

- Exterior or Interior Doors
- Weight to 1,000 lbs.
- Door Sizes up to 4'0" x 8'6"\* (1219 x 2591mm)
- Non-handed

## Product Description & Features

- H340 top pivot included
- Bottom pivot is mortised into floor
- End load arm for minimum 2" (51mm) thick doors
- Pivot point centered in thickness of door
- Additional surface applied thrust bearing
- Door must have radius on pivot edge
- Pivot point remains constant at 2-3/4" (70mm) from the edge of the door
- Pivot set features sealed bearings for protection against weather and debris
- Not allowed for use on labeled doors and frames
- Furnished with wood and machine screws

## Optional Features

- Available with extended spindles in 1/2" (13mm) increments up to 2" (51mm) longer than standard

## Compliance

- ANSI/C07011

Center hung pivots are door hanging means only. To close doors, see floor closer sections of the catalogs.

\*For doors taller than 8'6" use top pivot H345 in lieu of H340

## Product Description & Features

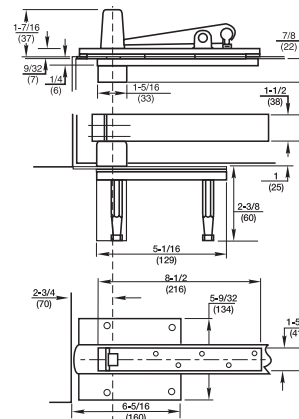
Identical to the H117-3/4 except:

- Special side load arm for 1-3/4" (44mm) thick doors or for moving pivot point toward lock edge of door

## Model H117-3/4



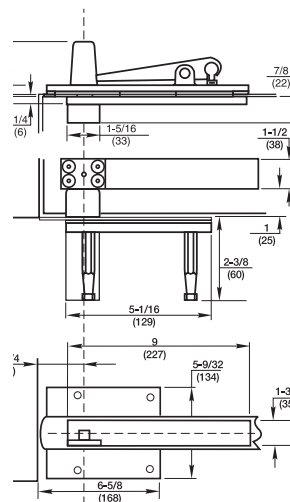
## Technical Information



## Model H117-3/4 X 587 Arm



## Technical Information



**RIXSON**<sup>®</sup>  
**ASSA ABLOY**

Experience a safer  
and more open world



## Model 320

### Application

- Fully Concealed
- Non-handed

### Product Description & Features

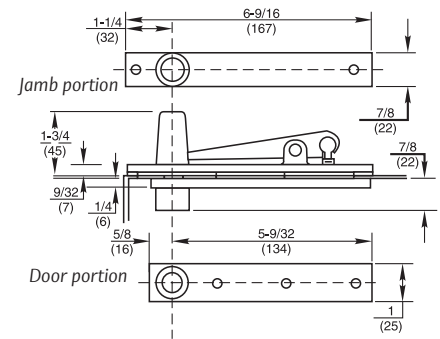
- Standard top pivot for Models 127-3/4, 128-3/4, and 176 pivot sets
- Walking beam-type pivot – 1/2" (13mm) diameter pivot pin with 3/4" (19mm) engagement
- Oil-impregnated sintered bronze bushing
- Completely concealed when door is closed
- Furnished with wood and machine screws

### Optional Features

- Available with longer than standard pivot pins. Increments are 1/4" (6mm), 1/2" (13mm), 3/4" (19mm) only



### Technical Information



## Model 340

### Application

- Fully Concealed
- Non-handed

### Product Description & Features

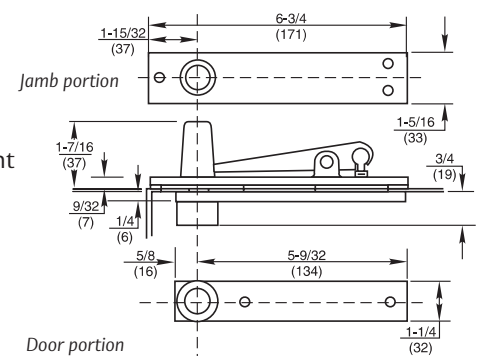
- Standard top pivot for Models 370 and 117-3/4 pivot sets. Also used for 28, 30, 40 and 50 Series floor closers
- Walking beam-type pivot – 1/2" (13mm) diameter pivot pin with 3/4" (19mm) engagement
- Oil-impregnated sintered bronze bushing
- Completely concealed when door is closed
- Furnished with wood and machine screws

### Optional Features

- Available with longer than standard pivot pins. Increments are 1/4" (6mm), 1/2" (13mm), 3/4" (19mm) only



### Technical Information



## Model 340 X 102

### Application

- Fully Concealed
- Non-handed

### Product Description & Features

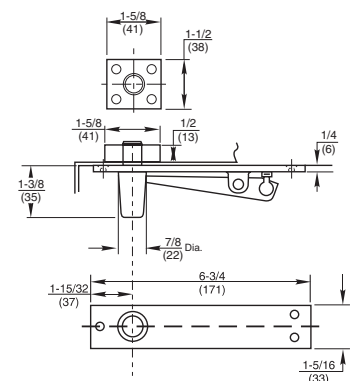
- Optional top pivot for doors or frames that have conflicts with other hardware
- Can be inverted. The walking beam portion would be installed the header of the frame
- No finish plate supplied
- If inverted, finish plate should be ordered and priced separately
- Oil-impregnated sintered bronze bushing
- Completely concealed when door is closed
- Furnished with wood and machine screws
- For lighter weight doors use 320 x 102

### Optional Features

- Available with longer than standard pivot pins. Increments are 1/4" (6mm) up to 3/4" (19mm)



### Technical Information



**RIXSON**  
ASSA ABLOY

Experience a safer  
and more open world

### Application

- Surface mounted
- Handed doors up to 3'6" (1067mm) wide

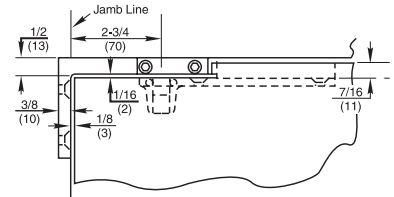
### Product Description & Features

- Used where no frame exists above door, or where it is not possible to anchor pivot into header of frame
- Center hung applications only
- Furnished with 340 door portion
- Part is handed to keep installation plate to inside of room or building
- Furnished with wood and machine screws

## Model 340 X AP3



### Technical Information



## Model H340

### Application

- Fully Concealed
- Heavy-Duty
- Non-handed

### Product Description & Features

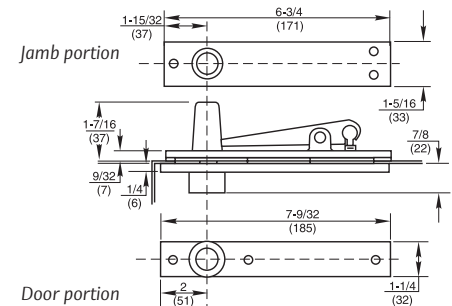
- Standard top pivot for Model H117-3/4 pivot set. Also used for H28 and H40 Series floor closers
- Can be used with any floor closer or pivot set with pivot point 2-3/4" (70mm), or greater, from edge of the door
- Walking beam-type pivot – 11/16" (17mm) diameter pivot pin with 3/4" (19mm) engagement
- Heavy-duty needle bearing
- Completely concealed when door is closed
- Furnished with wood and machine screws

### Optional Features

- Available with longer than standard pivot pins. Increments are 1/4" (6mm), 1/2" (13mm), 3/4" (19mm) only



### Technical Information



**RIXSON**<sup>®</sup>  
**ASSA ABLOY**

Experience a safer  
and more open world

# Model 345

### Application

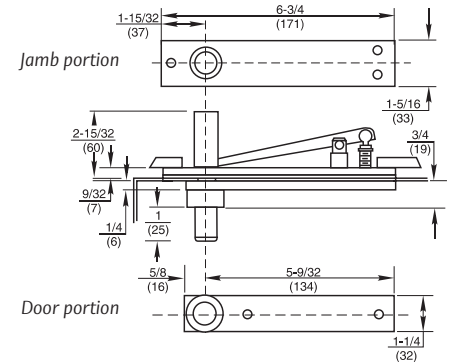
- Fully Concealed
- Center Hung
- Non-handed
- Earthquake Tolerant
- Taller Doors

### Product Description & Features

- Optional top pivot
- Ideal for locations where there is a fear of dramatic building settling or for doors over 8'6" (2491mm) in height
- Long pivot pin engages in top of door 1-3/4" (44mm)
- Can be used with any center hung bottom pivot or floor closer whose pivot point is 2" (50mm), or greater, from the edge of the door.
- Walking beam-type pivot - 1/2" (13mm) diameter pivot pin
- Oil-impregnated sintered bronze bushing
- Completely concealed when door is closed
- Furnished with wood and machine screws



### Technical Information



# Model H345

### Application

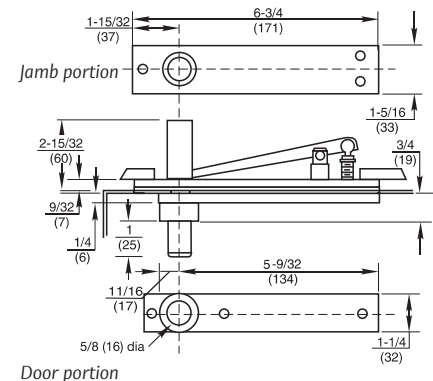
- Fully Concealed
- Center Hung
- Non-handed
- Earthquake Tolerant
- Taller Doors

### Product Description & Features

- Ideal for locations where there is a fear of dramatic building settling or for doors over 8'6" (2591mm) in height
- Long pivot pin engages in top of door 1-3/4" (44mm)
- Can be used with any center hung bottom pivot or floor closer whose pivot point is 2-3/4" (70mm), or greater, from the edge of the door. Order pivot set or floor closer LTP (less top pivot) with H345 on separate line item
- Walking beam-type pivot - 11/16" (17mm) diameter pivot pin
- Heavy-duty needle bearing
- Completely concealed when door is closed
- Furnished with wood and machine screws



### Technical Information



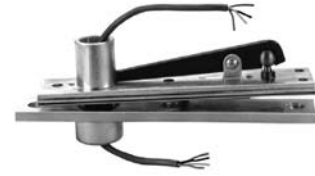
Experience a safer  
and more open world

### Application

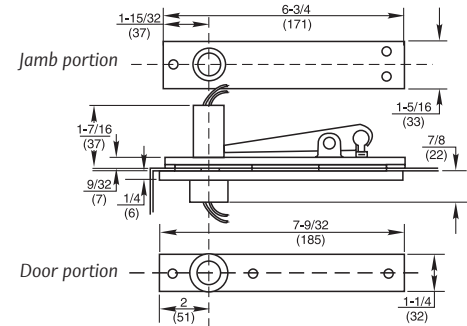
- Center Hung
- Top Pivot for Power Transfer
- Non-handed

### Product Description & Features

- Walking beam type pivot – 11/16" (17mm) diameter pivot pin with 3/4" (19mm) engagement
- Can be used with any center hung bottom pivot or floor closer. Order the pivot set LTP (less top pivot) with E-H340 as a separate line
- Heavy-duty needle bearing
- Specify two, four, six, eight or twelve wires
- Two-wire is available in 18 gauge and is not available ElectroLynx®
- Four, six, eight and twelve wires are 24 gauge and available in ElectroLynx®. Suffix QC# (number of wires)
- Completely concealed when door is closed
- Furnished with wood and machine screws



### Technical Information



### Application

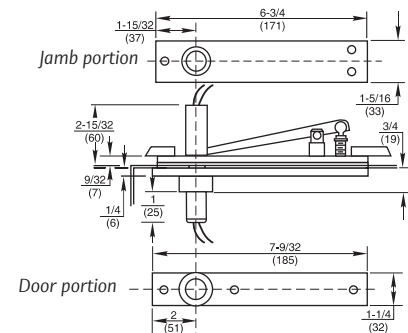
- Fully Concealed
- Center Hung
- Top Pivot for Power Transfer
- Non-handed
- Earthquake Tolerant
- Taller Doors

### Product Description & Features

- Walking beam-type pivot – 11/16" (17mm) diameter pivot pin
- Longer pivot pin throw engages in top of door 1-3/4" (44mm). Ideal for locations where there is a fear of dramatic building settling
- Can be used with any center hung bottom pivot or floor closer whose pivot point is 2-3/4" (70mm), or greater, from the edge of the door. Order the pivot set LTP (less top pivot) with E-H345 as a separate line
- Used with heavy-duty pivots & floor closers
- Heavy-duty needle bearing
- For doors over 8'6" in height
- Specify two, four, six, eight or twelve wires
- Two-wire is available in 18 gauge and is not available with ElectroLynx®
- Four, six, eight and twelve wires are 24 gauge and available in ElectroLynx®. Suffix QC# (number of wires)
- Furnished with wood and machine screws



### Technical Information

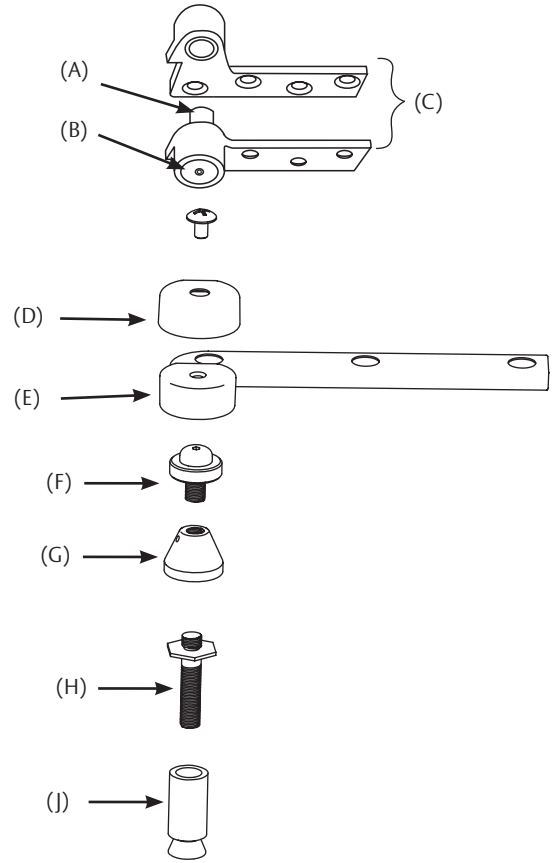


**RIXSON®**  
**ASSA ABLOY**

Experience a safer  
and more open world

# Model 173 Pivot Set

- |                                 |                             |
|---------------------------------|-----------------------------|
| (A) Pivot Stud 181770-ASY       | <b>Screw Kits</b>           |
| (B) Hex Cap 181778-*            | 180 Screw Kit               |
| (C) 180 Top Pivot               | 107014 - * Machine (2 req.) |
| (D) Arm Cap and Screw 12029-*AS | 107114 - * Wood (2 req.)    |
| (E) Arm LH 11706L*AS            | Bottom Arm Screw Kit        |
| (E) Arm RH 11705R*AS            | 173176 Wood and Machine     |
- 
- 173 x 1-1/2" Offset
- (E) 1-1/2" offset arm LH 11706L15\*
  - (E) 1-1/2" offset arm RH 11705R15\*
- 
- (F) Spindle Stud 173003
  - (G) Spindle Collar 173001
  - (H) Mounting Bolt 173002
  - (J) Floor Anchor 173010



# Model 117-1/4 Pivot Set

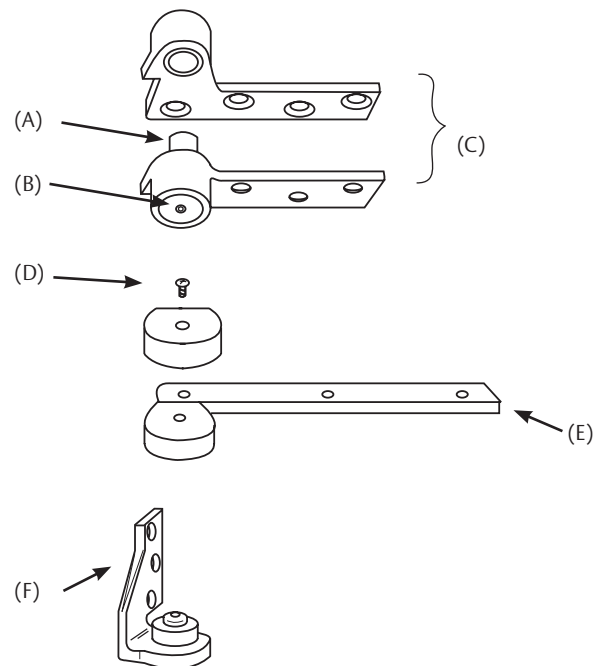
- Right Hand Shown
- 3/4" Offset Only**
- (A) Pivot Stud 181770-ASY
  - (B) Hex Cap 181778-\*
  - (C) 180 Top Pivot
  - (D) Arm Cap and Screw 12029-\*AS
  - (E) Arm LH 11706LAS Y
  - (E) Arm RH 11705RAS Y
  - (F) Floor Portion Assy RH 17406R\*AS
  - (F) Floor Portion Assy LH 17406L\*AS

- Screw Kits**
- 180 Screw Kit
  - 107014 - \* Machine ( 2 req.)
  - 107114 - \* Wood (2 req.)
  - 117-1/4 Screw Kit 117127 - \*

\*specify finish



Experience a safer  
and more open world



Model 117, F117 Pivot Set

Right Hand Shown

3/4" and 1-1/2" Offset

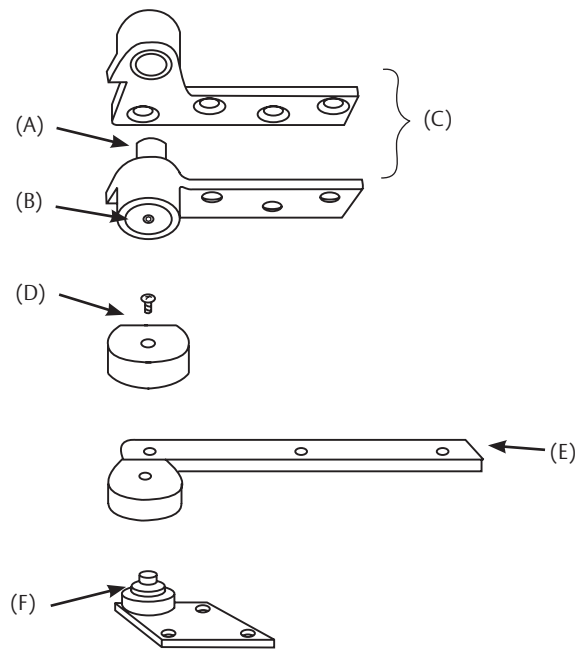
- (A) Pivot Stud 181770-ASY
- (B) Hex Cap 181778-\*
- (C) 3/4" Offset Top Pivot Assembly  
180 (standard)  
F180 (Fire Rated)  
180-20 (20 minutes)
- (D) Arm Cap and Screw 12029-AS
- (E) 3/4" Offset Arm LH 11706LAS
- (E) 3/4" Offset Arm RH 11705RAS

Screw Kits

- 180 Screw Kit
- 107014 - \* Machine (2 req.)
- 107114 - \* Wood (2 req.)
- Bottom Pivot Screw Kit 117127 -\*

117 x 1-1/2 OS

- (E) 1-1/2" Offset Arm LH 11706L15\*
- (E) 1-1/2" Offset Arm RH 11705R15\*
- (F) 117 Floor Portion Assy 17526-AS  
F117 Floor Portion Assy 17559-AS



Model 195 Pivot Set

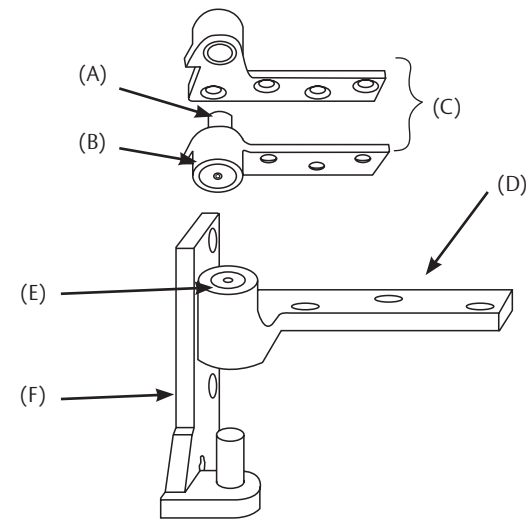
Right Hand Shown

3/4" Offset

- (A) Pivot Stud 181770-ASY
- (B) Hex Cap 181778-\*
- (C) 3/4" Offset Top Pivot Assembly  
180 (standard)  
F180 (Fire Rated)
- (D) Door Portion Asy RH 19503-AS  
Door Portion Asy LH 19504-AS
- (E) Cap 19511-\*
- (F) Jamb Portion Asy RH  
(Includes Stud) 19501-AS
- (F) Jamb Portion Asy LH  
(Includes Stud) 19502-AS

Screw Kits

- 180 Screw Kit
- 107014 - \* Machine (2 req.)
- 107114 - \* Wood (2 req.)
- 195 Screw Kit
- 107014 - \* Machine (2 req.)
- 107114 - \* Wood (2 req.)



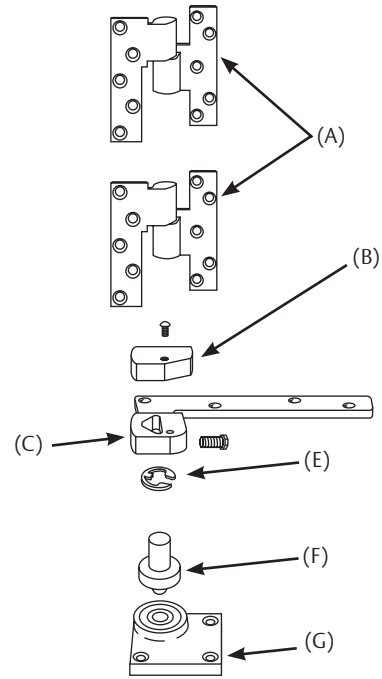
\*specify finish

Right Hand Shown

## 3/4" Offset Only

- (A) M190 Intermediate Pivot (For Fire-Rated Doors order FM190)
- (B) Arm Cap & Screw
  - 012142R\*AS (RH, BRS)
  - 012142L\*AS (LH, BRS)
  - 012144R\*AS (RH, SS)
  - 012144L\*AS (LH, SS)
- (C) Arm x Locking Screw
  - 275177RH
  - 275176LH
- (D) Arm x Locking Screw Pkg (5 per)
  - 88905-PKG
- (E) Arm Shim Kit (2 per) 107071
- (F) Spindle Stud 14714
- (G) 147 Floor Portion x Bearing 14721-\*AS

\*specify finish



Right Hand Shown

### 3/4" and 1-1/2" Offset

- (A) Pivot Stud 181770-ASY
- (B) Hex Cap 181778-\*
- (C) 3/4" Offset Top Pivot Assembly  
180 (standard)  
F180 (Fire Rated)  
180-20 (20 minutes)
- (D) Arm Cap & Screw  
012142R\*AS (RH, BRS)  
012142L\*AS (LH, BRS)  
012144R\*AS (RH, SS)  
012144L\*AS (LH, SS)
- (E) Arm x Locking Screw  
3/4" Offset 275177 RH  
3/4" Offset 275176 LH

147 & F147 1-1/2 OS

- (E) Arm x Locking Screw  
1-1/2" Offset 275167-\*
- (F) Arm Lock Screw Pkg (5 per) 88905-PKG
- (G) Arm Shims (2 per) 107071
- (H) Spindle Stud 14714
- (I) 147/F147 Floor Portion x Bearing 14721-\*AS

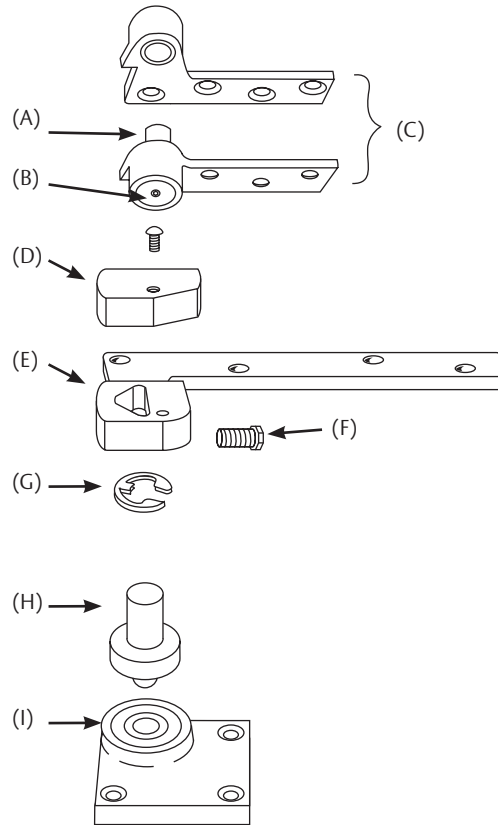
### Screw Kits

- 180/F180 Screw Kit
- 107014 - \* Machine (2 req.)
- 107114 - \* Wood (2 req.)

### Arm Screw Kit

- 107044 Machine
- 107144 Wood
- 147/F147 Bottom Pivot Screw Kit (includes "E" ring shims) 107062-\*

\*specify finish





Right Hand Shown

## 3/4" and 1-1/2" Offset

- (A) Pivot Stud 181770-ASY
- (B) Hex Cap 181778-\*
- (C) 3/4" Offset Top Pivot Assembly  
180 (standard)  
F180 (Fire Rated)  
180-20 (20 minutes)
- (D) Arm Cap & Screw  
012142R\*AS (RH, BRS)  
012142L\*AS (LH, BRS)  
012144R\*AS (RH, SS)  
012144L\*AS (LH, SS)
- (E) Arm x Locking Screw  
3/4" Offset 275177 RH  
3/4" Offset 275176 LH
- (F) Arm Lock Screw Pkg (5 per) 88905-PKG
- (G) Arm Shim Kit (5 per) 275065-PKG
- (H) Spindle Shoulder Collar 16301\*
- (I) Floor Plate x Screws 1174050-\*
- (J) 117-1/2 & F117-1/2 Floor Portion Assembly X01176350

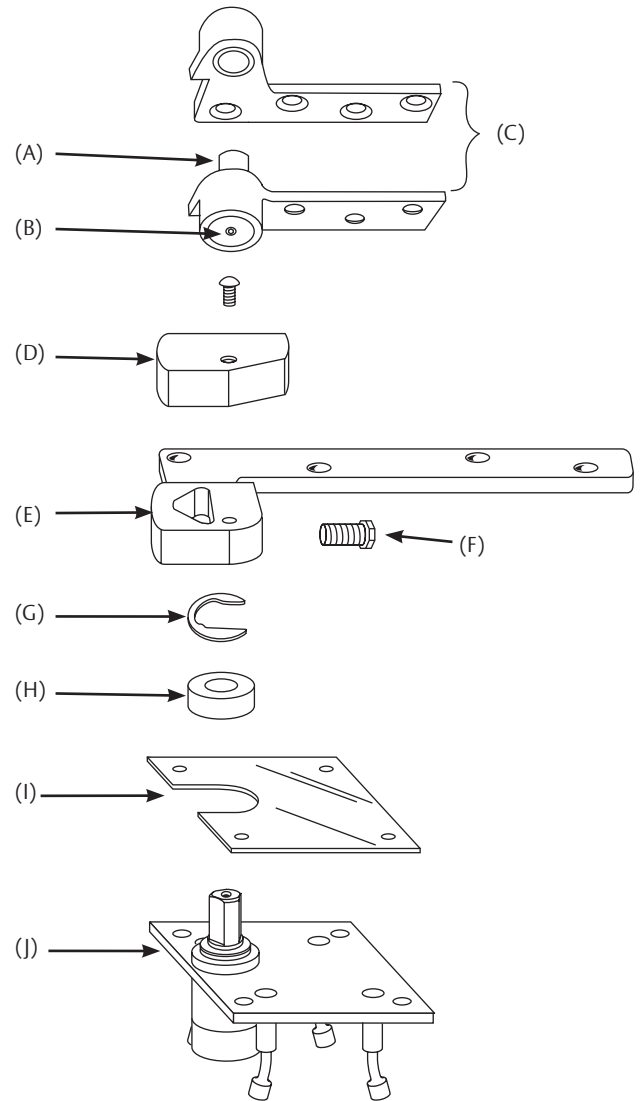
1-1/2" Offset Arm 275167-\*

## Screw Kits

- 180/F180 Screw Kit
- 107014 - \* Machine (2 req.)
- 107114 - \* Wood (2 req.)
- Floor Plate Screw Kit 107004-\*

## Arm Screw Kit

- 107044 - \* Machine
- 107144 - \* Wood



\*specify finish

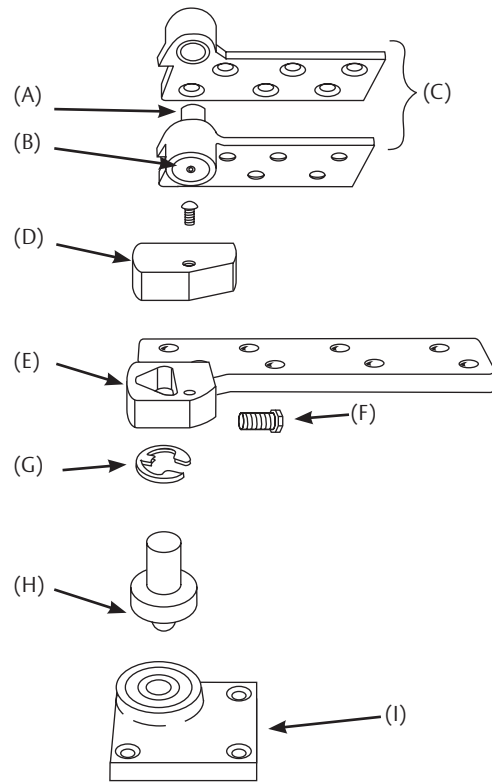


Experience a safer  
and more open world

Right Hand Shown

**3/4" Offset Only**

- (A) Pivot Stud 181770-ASY
- (B) Hex Cap 181778-\*
- (C) 3/4" Offset Top Pivot Assembly  
L180 (standard)  
FL180 (Fire Rated)  
L180-20 (20 minutes)
- (D) Arm Cap & Screw  
012142R\*AS (RH, BRS)  
012142L\*AS (LH, BRS)  
012144R\*AS (RH, SS)  
012144L\*AS (LH, SS)
- (E) Arm x Locking Screw  
1-3/4" Door 18550-Asy RH  
18650-Asy LH
- (E) Arm x Locking Screw  
2" Door 18551-Asy RH  
18651-Asy LH
- (E) Arm x Locking Screw  
2-1/4" Door 18552-Asy RH  
18652-Asy LH
- (E) Arm x Locking Screw  
2-1/2" Door 18553-Asy RH  
18653-Asy LH
- (E) Arm x Locking Screw  
3" Door 18554-Asy RH  
18654-Asy LH
- (F) Arm Lock Screw Pkg (5 per) 88905-PKG
- (G) Arm Shims (2 per) 107071
- (H) Spindle Stud 14714
- (I) L147 Floor Portion x Bearing 14721-\*AS



**Screw Kits**

- 180/F180 Screw Kit
- 107016 - \* Machine ( 2 req.)
- 107116 - \* Wood (2 req.)
- Arm Screw Kit
- 107048 Machine (2 req.)
- 107144 Wood (2 req.)
- L147/F147 Bottom Pivot Screw Kit  
(includes "E" ring shim) 107062-\*

*Special Note: FL147 is available for 1-3/4" doors only*

\*specify finish



Experience a safer  
and more open world

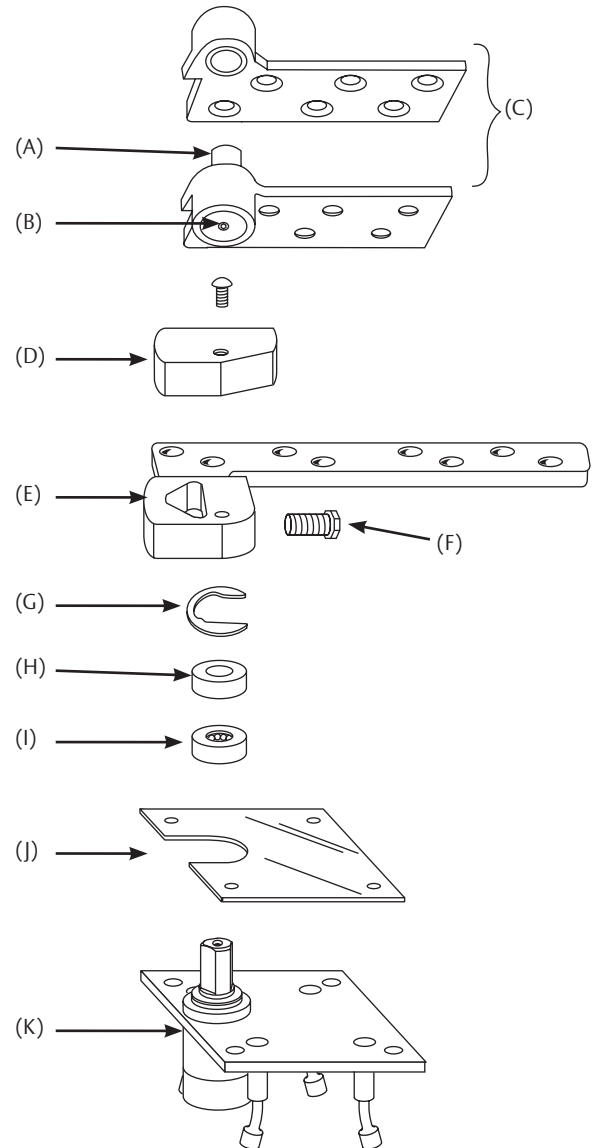
Right Hand Shown

## 3/4" Offset Only

- (A) Pivot Stud 181770-ASY
- (B) Hex Cap 181778-\*
- (C) 3/4" Offset Top Pivot Assembly  
L180 (standard)  
FL180 (Fire Rated)  
L180-20 (20 minutes)  
*Note: FL is available for 1-3/4" doors only*
- (D) Arm Cap & Screw  
012142R\*AS (RH, BRS)  
012142L\*AS (LH, BRS)  
012144R\*AS (RH, SS)  
012144L\*AS (LH, SS)
- (E) Arm x Locking Screw  
1-3/4" Door 18550-ASY RH  
18650-ASY LH
- (E) Arm x Locking Screw  
2" Door 18551-ASY RH  
18651-ASY LH
- (E) Arm x Locking Screw  
2-1/4" Door 18552-ASY RH  
18652-ASY LH
- (E) Arm x Locking Screw  
2-1/2" Door 18553-ASY RH  
18653-ASY LH
- (E) Arm x Locking Screw  
3" Door 18554-ASY RH  
18654-ASY LH
- (F) Arm Lock Screw Pkg (5 per) 88905-PKG
- (G) Arm Shim Kit (5 per) 275065-PKG
- (H) Spindle Shoulder Collar 259500-\*
- (I) Heavy-Duty Thrust-Bearing 41204-PKG
- (J) Floor Plate x Screws 1174050-\*
- (K) Floor Portion Assembly X01176351  
Includes 41204-PKG

### Screw Kits

- L180/FL180 Screw Kit  
107016 - \* Machine ( 2 req.)  
107116 - \* Wood (2 req.)
- Arm Screw Kit  
107048 - \* Machine ( 2 req.)  
107114 - \* Wood (2 req.)
- Floor Plate Screw Kit  
107004 - \* Machine ( 2 req.)
- Special Note: FL117 is available for 1-3/4" doors only*



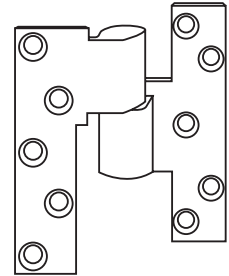
\*specify finish

**RIXSON**  
**ASSA ABLOY**

Experience a safer  
and more open world

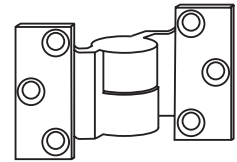
M19, M190, ML19, FA19, 219,  
319, FM19, FM190,  
All Electrified M19  
Intermediate Pivots

Model	Description
107015-*	Metal Screws for One Leaf
107115-*	Wood Screws for One Leaf
181778-*	Hex Cap
219, 319 and 419 Also Use:	
107059-*	Includes Screws and Backplate
	Torx® Available - Suffix "T"



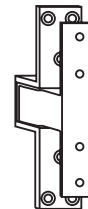
Model 119 Intermediate Pivot

Model	Description
107014-*	Metal Screws for One Leaf
107114-*	Wood Screws for One Leaf
	Torx® Available - Suffix "T"



Model F519 Pocket Pivot

Model	Description
619005-*	Screw Kit
	Torx® Available



\*specify finish

**RIXSON®**  
**ASSA ABLOY**

## Model 176 Pivot Sets

- (A) Top Pivot Jamb Portion 640-ASY
- (B) Top Pivot Plate x Screws  
12724-\*PK (SS)  
12720-\*PK (BRG)
- (C) Top Pivot Door Portion 12716
- (E) Bottom Arm 12704
- (F) Sleeve 176001
- (G) Mounting Bolt 176002
- (H) Floor Anchor 173010

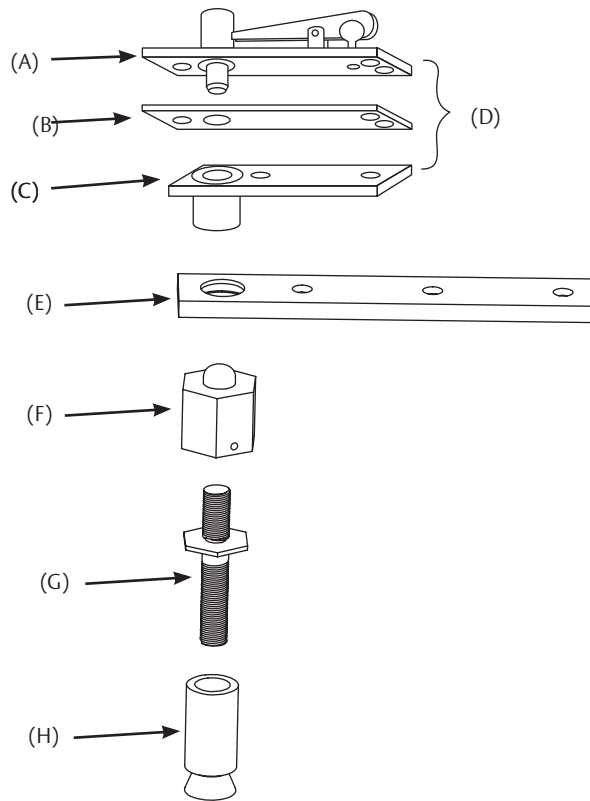
### Screw Kits

320 Screw Kit

107340 Machine and Wood

Bottom Arm Screw Kit

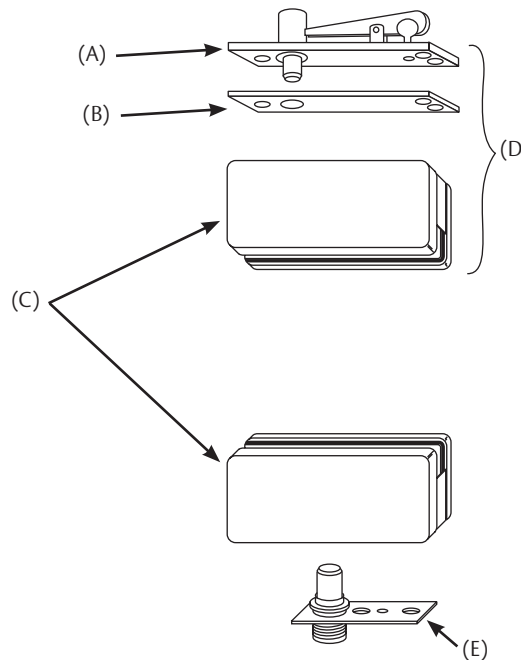
173176 Machine and Wood



## Model 178 Pivot Sets

- (A) Top Jamb Portion 42801
- (B) Finish Plate  
012202-\*PK (BRS)  
012204-\*PK (SS)
- (C) Patch Fitting 7495-\*
- (D) Top Patch 7494-\* PK
- (E) Bottom Pivot Floor Portion 74104

Top Pivot Screw Kit 107329



\*specify finish

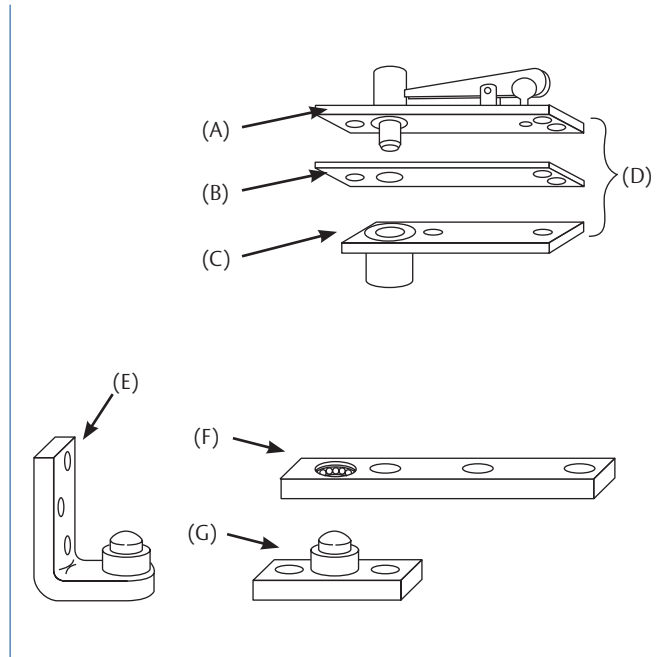
**RIXSON**<sup>®</sup>  
**ASSA ABLOY**

Experience a safer  
and more open world

- (A) Top Pivot Jamb Portion  
640-ASY
- (B) Top Pivot Plate x Screws  
12724-\*PK (SS)  
12720-\*PK (BRS)
- (C) Top Pivot Door Portion  
12716
- (D) 320 Top Pivot
- (E) Jamb Portion & Stud  
Assembly 127-3/4 Only  
12711-\*
- (F) Arm & Bearing Assembly  
12714 Door Portion
- (G) Floor Pivot & Stud  
Assembly 128-3/4 Only  
71521-\*AS

**Screw Kits**

- 320 Screw Kit
- 107340 Machine & Wood
- 127-3/4 & 128-3/4 Screw Kit 117127-\*



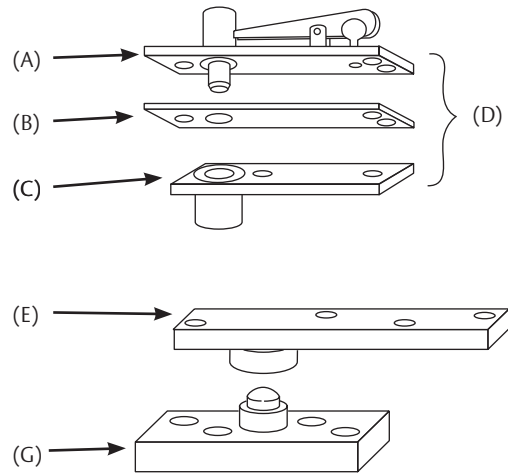
\*specify finish

## Model 370 Pivot Set

- (A) Top Pivot Jamb Portion  
3065
- (B) Finish Plate x Screws  
012202-\*PK (BRS)  
012204-\*PK (SS)
- (C) Top Pivot Door Portion  
30243
- (D) 340 Top Pivot
- (E) Arm 22131
- (G) Floor Portion and Stud 22121-\*

### Screw Kits

- 340 Top Pivot Screw Kit
- 107329 Machine & Wood
- 370 Floor Portion 107370-\*



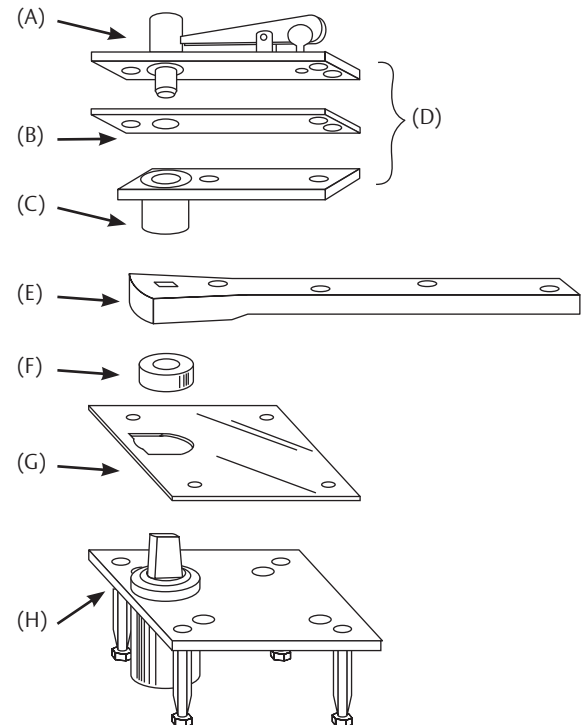
## Model 117-3/4 Pivot Set

- (A) Top Pivot Jamb Portion 3065
- (B) Top Pivot Finish Plate  
012202-\*PK (BRS)  
012204-\*PK (SS)
- (C) Top Pivot Door Portion 30243
- (D) 340 Top Pivot
- (E) Arm 185.75
- (F) Spindle Shoulder Collar 16301\*
- (G) Floor Plate x Screws 1174020-\*
- (H) Floor Portion Assembly X01176320

### Screw Kits

- 340 Top Pivot Screw Kit
- 107329 Machine & Wood
- Floor Plate Screws  
107004-\* Machine & Wood
- Arm Screw Kit 107064

\*specify finish



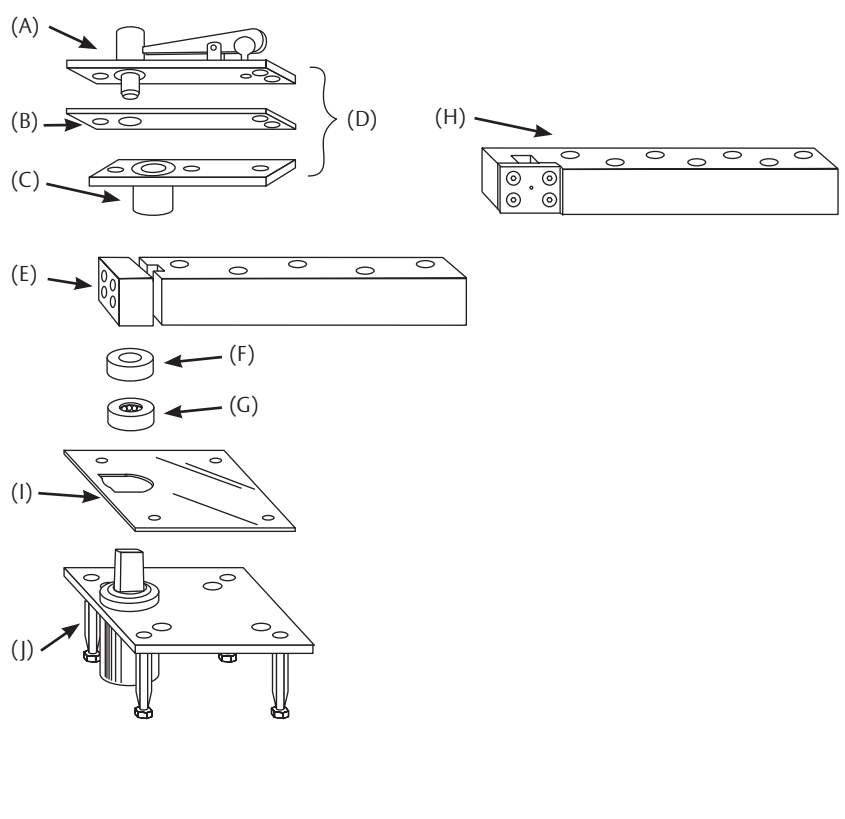
**RIXSON**<sup>®</sup>  
**ASSA ABLOY**

Experience a safer  
and more open world

- (A) Top Pivot Jamb Portion 308548
- (B) Top Pivot Finish Plate  
012202-\*PK (BRS)  
012204-\*PK (SS)
- (C) Top Pivot Door Portion 30141
- (D) 340 Top Pivot
- (E) Standard End Load Arm Package 262022
- (F) Spindle Shoulder Collar 259500-\*
- (G) Heavy-Duty Thrust Bearing 41204-PKG
- (H) 587 Side Load Arm Package 262587
- (I) Floor Plate x Screws 1174020-\*
- (J) Floor Portion Assembly X01176322 Includes 41204-PKG

**Screw Kits**

- H340 Screw Kit
- 107329 Machine & Wood
- Arm Screw Kit
- 107045 - Machine
- 107145 - Wood
- 587 Arm Screw Kit
- 107077 Machine
- 107177 Wood
- Arm Shim Screw Kit 107060
- Floor Plate Screw Kit
- 107004-\*



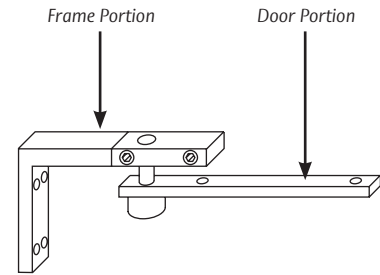
\*specify finish



# Angle Pivot-3

Model	Description
107047*	Includes Screws and Stud
30243	Door Portion
30814**	Frame Portion (handed)

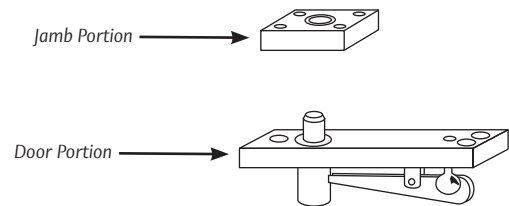
Torx® not available.



# Top Pivot 340 X 102 or 320 X 102

Model	Description
10210 AS	Jamb Portion
3065	Door Portion
640-ASY	Door Portion (320 x 102)
107012*	Jamb Portion Screw Kit
107329	Door Portion Screw Kit

Torx® not available.



\*specify finish

**RIXSON**  
**ASSA ABLOY**

Experience a safer  
and more open world

HOW TO ORDER

Prefix	L147 Model	3/4" Offset	x LTP x 2-1/4 dr Suffix	x RH Hand	x 626 Finish
F Fire-Rated Doors	117-1/4 117 173 147 L147 547 165 195 117-1-1/2 L117 127-3/4 128-3/4 370 117-3/4 H117-3/4 176 178	3/4" 1-1/2" Blank - Center Hung	587 CH Arm for 1-3/4" Dr - Extended Spindles - Longer Top Pivot Pins LTP Less Top Pivot -20 20-Minute Label - Cover Pan (xDepth) SPLO Special Layout # - Door Thickness - L Product	RH Right Hand LH Left Hand Blank - Center Hung	605 Bright Brass 606 Satin Brass 611 Bright Bronze 612 Satin Bronze 613 Dark Bronze 613E Dark Oxidized Satin Bronze - equivalent 618 Bright Nickel 619 Satin Nickel 622 Flat Black 625 Bright Chrome 626 Satin Chrome BSP Black Suede Powder WSP White Suede Powder



Experience a safer  
and more open world

## PRODUCT COMPARISON CHARTS

## OFFSET HUNG PIVOT SETS

	173	117-1/4	117	165	195	547	147	117-1/2	L147	L117
Application	Standard	Standard	Standard	For doors without bottom pivots	Standard	Arch top doors or overhead concealed closers	Standard	Standard	Lead lined, heavy or high traffic doors	Lead lined, heavy or high traffic doors
3/4" offset standard	•	•	•	•	•	•	•	•	•	•
1-1/2" offset optional <sup>1</sup>	•		•				•	•		
Handed	•	•	•	•	•	•	•	•	•	•
Exterior door				•	•	•	•	•	•	•
Interior door	•	•	•	•	•	•	•	•	•	•
Door weight	150 lbs.	250 lbs.	300 lbs.	300 lbs.	450 lbs.	500 lbs.	600 lbs.	650 lbs.	800 lbs.	1750 lbs.
Maximum door swing <sup>2</sup>	180°	180°	180°	180°	180°	180°	180°	180°	180°	180°
Maximum door width	36"	42"	42"	42"	48"	42"	48"	48"	48"	48"
1-3/4" Standard door thickness	•	•	•	•	•	•	•	•	•	•
Optional door thicknesses available <sup>3</sup>									•	•
Standard top pivot (included)	180	180	180	H180	180	N/A	180	180	L180	L180
Intermediate pivot (order separately)	119	119	119	(2) M190's included	119 or M19	(2) M190's included	M19	M19	ML19	ML19
Bottom pivot mounting	Mounts directly to concrete floor	Mortised into side jamb	Mortised into floor	N/A	Mortised into side jamb	Mounts directly to floor	Mounts directly to floor	Mortised into floor	Mounts directly to floor	Mortised into floor
Extended spindles available <sup>4</sup>		•	•	N/A	•	•	•	•	•	•
Optional Features			F, -20		F	F, -20	F, -20	F, -20	F, -20	F, -20
Furnished with wood and machine screws		•	•	•	•	•	•	•	•	•

1 Door weight is less when 1-1/2" offset is ordered

2 Trim permitting

3 Can accommodate the following door thicknesses: 2", 2-1/4", 2-1/2" or 3". Specify when ordering

4 1/2" increments up to 2"

Options	Designation
Fire Rated	F
20 minute label	-20

**RIXSON**<sup>®</sup>  
ASSA ABLOY

Experience a safer  
and more open world

## INTERMEDIATE PIVOTS

	119	219	319	419	FA19	M19	M190	ML19
Application	Standard	Flush door and frame applications	Flush door and frame applications	Flush door and frame applications	Asylum or high security	Standard	Use when frame conditions do not allow standard top pivot	Lead-lined, heavy or high traffic
3/4" offset standard	•	•	•	•	•	•	•	•
1-1/2" offset optional						•	•	
Handed	•	•	•	•	•	•	•	•
Standard door thickness	1-3/4"	1-3/4" only	1-3/4"	1-3/4" only	1-3/4"	1-3/4"	1-3/4"	1-3/4"
Optional door thicknesses available <sup>1</sup>								•
Mounting	Full mortise	Half surface	Half mortise	Full surface	Full mortise	Full mortise	Heavy-duty full mortise	Full mortise
Maintains door alignment	•	•	•	•	•	•	•	•
Load bearing							Lateral load bearing	•
Heavy-duty needle bearing							•	
Optional Features					F is standard	F, -20	F, -20	F, -20
Furnished with wood and machine screws	•	•	•	•	•	•	•	•

1 Can accommodate the following door thicknesses: 2", 2-1/4", 2-1/2" or 3". Specify when ordering.

Options	Designation
Fire Rated	F
20 minute label	-20

**RIXSON**<sup>®</sup>  
**ASSA ABLOY**

## ELECTRIFIED INTERMEDIATE PIVOTS

	E-M19 <sup>1,3</sup>	E-M19U <sup>2</sup>	E-ML19 <sup>1,4</sup>
Application	Electric Pivot for Power Transfer	Electric Pivot for Power Transfer and for Electrified Panic Devices with Large Inrush Current	Electric Pivot for Power Transfer
3/4" offset standard	•	•	•
1-1/2" offset optional	•		
Handed	•	•	•
Standard door thickness	1-3/4"	1-3/4"	1-3/4" only
Available wires	4, 6, 8 or 12 (24 gauge)	2 (18 gauge)	4, 6, 8 or 12 (24 gauge)
Non-load bearing	•	•	•
Options	F, -20, QC		F, -20, QC
Furnished with wood and machine screws	•	•	•

Note: Door and jamb portion are factory assembled and cannot be separated

- 1 24-gauge wire is rated at 2 amps for low voltage, Class II wiring applications
- 2 18-gauge wire is rated at 2 amps continuously. UL listed for 24-volt, Class I wiring
- 3 Always use M19 intermediate pivot to install door
- 4 Always use ML19 intermediate pivot to install door

Options	Designation
Fire Rated	F
20 minute label	-20
ElectroLynx®	QC

## PRODUCT COMPARISON CHARTS

## CENTER HUNG PIVOT SETS

	176	178	127-3/4	128-3/4	370	375	117-3/4	H117-3/4	H117-3/4 x 587 Arm
Application	Standard	Full glass doors	Standard	Standard	Standard	Standard	Standard	Heavy-Duty	Heavy-Duty
Non-Handed	•	•	•	•	•	•	•	•	•
Exterior door					•	•	•	•	•
Interior door	•	•	•	•		•			
Door weight	150 lbs.	175 lbs.	200 lbs.	250 lbs.	500 lbs.	500 lbs.	600 lbs.	1000 lbs.	1000 lbs.
Maximum door width	36"	36"	42"	42"	44"	44"	48"	48"	48"
Standard door thickness	1-3/8" to 1-3/4"	3/8" – 1/2" glass	1-3/4"	1-3/4"	1-3/4"	1-3/4"	1-3/4"	2"	1-3/4"
Standard top pivot (included)	320	N/A	320	320	340	345	340	H340	H340
Bottom pivot mounting	Mounts directly into concrete floor	Mounts directly to floor	Mortised into side jamb	Mounts directly to floor	Mounts directly to floor	Mounts directly to floor	Mortised into floor	Mortised into floor	Mortised into floor
Extended spindles available <sup>1</sup>			•	•	•	•	•	•	•
Furnished with wood and machine screws	•		•	•	•	•	•	•	

1-1/2" increments up to 2"

**RIXSON**<sup>®</sup>  
**ASSA ABLOY**

Experience a safer  
and more open world



Experience a safer  
and more open world

The ASSA ABLOY Group is the global leader in access solutions. Every day, we help billions of people experience a more open world.

ASSA ABLOY Opening Solutions leads the development within door openings and products for access solutions in homes, businesses and institutions. Our offering includes doors, frames, door and window hardware, locks, perimeter fencing, access control and service.

**RIXSON**<sup>®</sup>  
**ASSA ABLOY**

CONTACT US AT:

Rixson®  
3000 Highway 74 East  
Monroe, NC 28112  
Tel: 800-457-5670  
Fax: 800-221-0489

ASSA ABLOY Door Security Solutions Canada  
160 Four Valley Drive  
Vaughan, Ontario, L4K 4T9 Canada  
Tel: 800-461-3007  
Fax: 800-461-8989

For a complete listing of products and applications please visit our web site.  
[www.rixson.com](http://www.rixson.com)  
[www.assaabloydss.ca](http://www.assaabloydss.ca)