



Detex Works Here.



**Life Safety, Security Door Hardware,
Integrated Door Security Systems**

and

Security Assurance

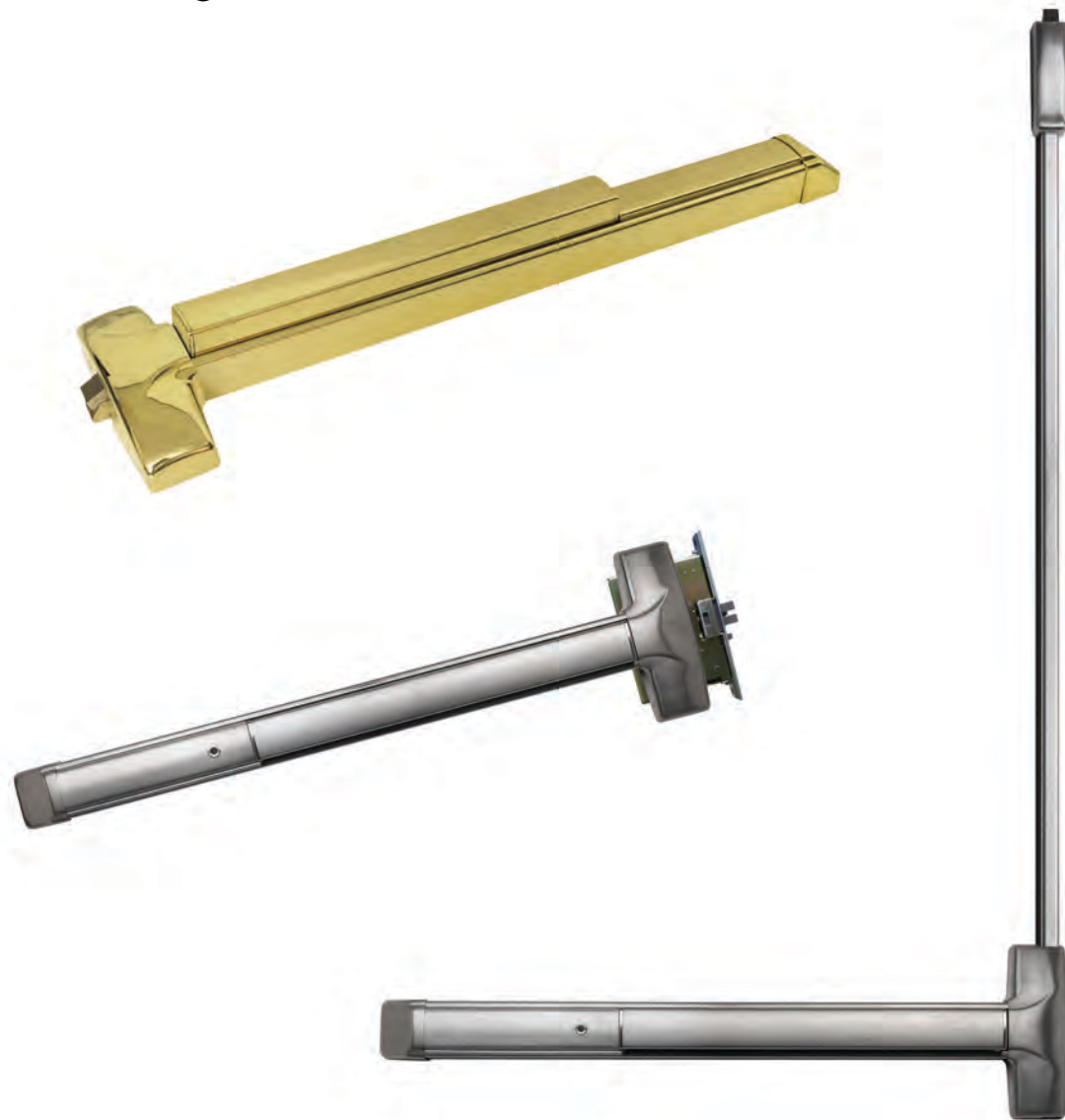
Where Trust is Built™

DETEX®

Life Safety, Security and Security Assurance

ADVANTEX[®]

Life Safety and Security Door Hardware



ADVANTEX[®]

Where Trust is Built[™]
DETEX[®]
Life Safety and Security Door Hardware

Advantex® Performance Specification**General**

All exit devices shall be Advantex® 10 or 40 series rim devices or 20/21/50/51 series surface vertical rod devices or 30 Series mortise devices or 60/61/62/63/70/71/80/81/82/83 concealed vertical rod devices as manufactured by Detex Corporation, New Braunfels, TX, USA. Each exit device shall be equipped and installed with a patented mounting plate and strike locator for an accurate installation. All wide and narrow stile devices shall be available with matching outside trim and where required, available with electrified options. All exit devices shall be reversible or non-handed and all non-electrified exit devices will be field sizeable.

Code Compliance

The exit devices shall be listed by Underwriters Laboratories and bear the UL label for panic hardware in compliance with NFPA 80 and 101. Where required, all devices shall have a UL label for Fire Exit Devices listed for use on fire rated doors up to and including A label, three hours. UL labeled Fire Exit Devices shall be listed for door opening sizes up to 8'0" x 10'0" in standard pairs and in double egress pairs, with Surface Vertical Rods and with Top Rod Only. Rim mounted, UL labeled Fire Exit Devices shall be listed for door openings sizes up to 4'0" x 10'0" on single doors and 8'0" x 8'0" on door pairs with an F90KR Keyed Removable Mullion.

Where required, all rim devices shall have a Miami-Dade County, Florida label indicating hurricane listing.

All exit devices shall be certified to meet ANSI/BHMA A156.3, Grade 1 requirements, and conform to ADA and California Title 19 requirements.

Design

All exit devices shall be of super heavy duty design and constructed of stainless steel covers and wraps over a structurally engineered extruded aluminum body. The end cap shall be constructed of 14 gauge deep drawn stainless steel and designed with a tapered angle of 50 degrees to deflect damage away from the device. All end caps shall include the Quad-lock structural design that incorporates 16 separate bearing surfaces on four different planes, securely interlocking the end cap to the exit device and door. All exit devices shall be designed with internally ribbed aluminum extrusion rails and base plate mounted push pads to dissipate excessive force to the push pad and prevent damage to the operating mechanisms.

All latch bolts shall be stainless steel material with a deadlocking feature for increased security. Surface vertical rod devices shall have pullman type top deadlocking latch bolts. The bottom rod shall have a solid steel deadlocking drop bolt. All surface vertical rod devices shall be supplied standard with rod covers and ADA-compliant bottom latch guards. All surface vertical rods shall be available in a top rod only configuration to meet all necessary code compliance for panic and fire exit hardware.

Hex key dogging shall be a standard feature for all non-fire rated exit devices. Optional features include cylinder dogging or less dogging. All dogging will be accomplished with no more than a one-eighth turn of the hex key or cylinder key to minimize the risk of repetitive motion injuries. Fire rated exit devices are required to have less dogging.

The through-bolted modular design of all exit devices shall accommodate a variety of different trims and functions without altering the exit device. It shall not be necessary to remove the device from the door for keying changes or standard maintenance. All standard stile outside lever trims shall be provided with vandal-resistant clutching levers.

Options

Optional slide in filler plates shall be available for all exit devices to accommodate optional dogging types, alarm and other electrified features.

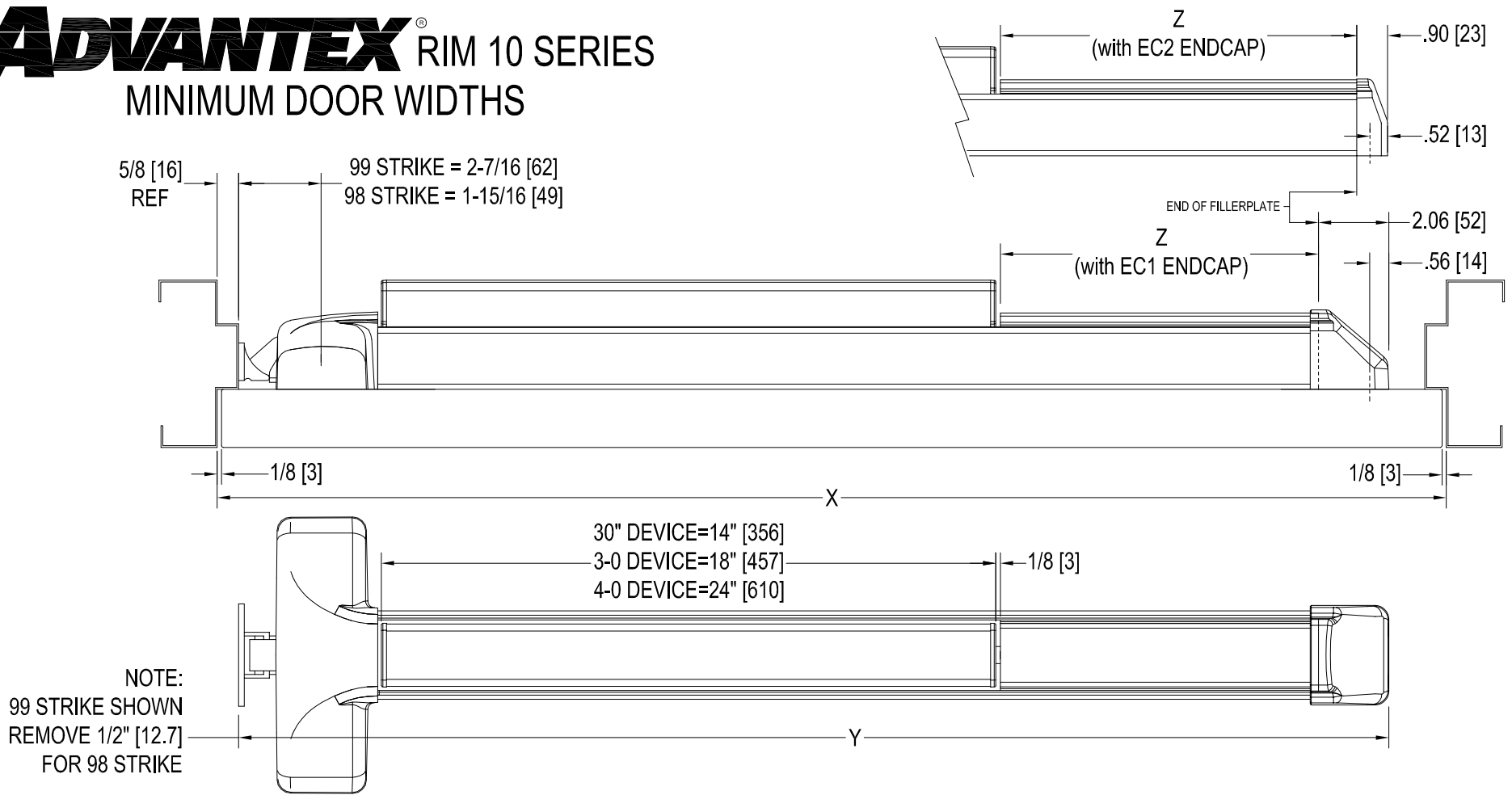
Optional mounting plates will allow for retrofit over other manufacturers' mounting holes when doors are not being replaced.

Warranty

Detex Advantex panic hardware, when properly installed, used and maintained, is warranted to be free of defects in material and workmanship. We will, for a period of ten (10) years from the date of purchase, repair or replace any part which, upon our examination, proves to be defective under normal use. Electrical components, when properly installed, used and maintained, are warranted to be free of defects in material and workmanship for a period of three (3) year. This warranty will be honored only upon presentation of proof that the product covered thereby was purchased directly from an authorized Detex distributor. We shall not be liable for any direct, incidental or consequential loss or damage arising out of the failure of this panic hardware to operate.

ADVANTEX[®] RIM 10 SERIES

MINIMUM DOOR WIDTHS



NOTE:
99 STRIKE SHOWN
REMOVE 1/2" [12.7]
FOR 98 STRIKE

STANDARD CONFIGURATION 3-0 DEVICE (10 x 99 strike)					
ENDCAP STYLE	DEVICE FUNCTION	"X" dimension inches [mm]	"Y" dimension inches [mm]	"Z" dimension inches [mm]	FINISH
EC1	ALL STD	36 [914]	33.71 [856]	9.32 [236]	630 & OTHERS (A)
EC2	ALL STD	36 [914]	33.71 [856]	10.45 [265]	628, 693 & 695 (B)
MINIMUM LENGTHS					
EC1	LD	28.27 [718]	26.89 [683]	2.5 [64]	(A)
EC1	EA, EI	33.27 [845]	31.89 [810]	7.5 [191]	(A)
EC1	ED	32.77 [832]	31.39 [797]	7.0 [178]	(A)
EC1	ER	34.77 [883]	33.39 [848]	9.0 [229]	(A)
EC1	EE, EM	34.77 [883]	33.39 [848]	9.0 [229]	(A)
EC1	EE x ER	34.77 [883]	33.39 [848]	9.0 [229]	(A)
EC1	HD, CD	28.77 [731]	27.39 [696]	3.0 [76]	(A)
EC2	LD	27.14 [689]	25.76 [654]	2.5 [64]	(B)
EC2	EA, EI	32.14 [816]	30.76 [781]	7.5 [191]	(B)
EC2	ED	31.64 [806]	30.26 [769]	7.0 [178]	(B)
EC2	ER	33.64 [854]	32.26 [819]	9.0 [229]	(B)
EC2	EE, EM	33.64 [854]	32.26 [819]	9.0 [229]	(B)
EC2	EE x ER	33.64 [854]	32.26 [819]	9.0 [229]	(B)
EC2	HD, CD	27.64 [702]	26.26 [667]	3.0 [76]	(B)

STANDARD CONFIGURATION 4-0 DEVICE (10 x 99 strike)					
ENDCAP STYLE	DEVICE FUNCTION	"X" dimension inches [mm]	"Y" dimension inches [mm]	"Z" dimension inches [mm]	FINISH
EC1	ALL STD	48 [1219]	45.71 [1161]	15.32 [389]	630 & OTHERS (A)
EC2	ALL STD	48 [1219]	45.71 [1161]	16.45 [418]	628, 693 & 695 (B)
MINIMUM LENGTHS					
EC1	LD	34.27 [870]	32.89 [835]	2.5 [64]	(A)
EC1	EA, EI	39.27 [997]	37.89 [962]	7.5 [191]	(A)
EC1	ED	38.77 [985]	37.39 [950]	7.0 [178]	(A)
EC1	ER	40.77 [1036]	39.39 [1000]	9.0 [229]	(A)
EC1	EE, EM	40.77 [1036]	39.39 [1000]	9.0 [229]	(A)
EC1	EE x ER	40.77 [1036]	39.39 [1000]	9.0 [229]	(A)
EC1	HD, CD	34.77 [883]	33.39 [848]	3.0 [76]	(A)
EC2	LD	33.14 [842]	31.76 [807]	2.5 [64]	(B)
EC2	EA, EI	38.14 [969]	36.76 [934]	7.5 [191]	(B)
EC2	ED	37.64 [956]	36.26 [921]	7.0 [178]	(B)
EC2	ER	39.64 [1007]	38.26 [972]	9.0 [229]	(B)
EC2	EE, EM	39.64 [1007]	38.26 [972]	9.0 [229]	(B)
EC2	EE x ER	39.64 [1007]	38.26 [972]	9.0 [229]	(B)
EC2	HD, CD	33.64 [854]	32.26 [819]	3.0 [76]	(B)

STANDARD CONFIGURATION 30" DEVICE (10 x 99 strike)					
ENDCAP STYLE	DEVICE FUNCTION	"X" dimension inches [mm]	"Y" dimension inches [mm]	"Z" dimension inches [mm]	FINISH
EC2	ALL STD	30 [762]	28.22 [717]	9.0 [229]	ALL
MINIMUM LENGTHS					
EC2	LD	23.14 [588]	21.76 [553]	2.5 [64]	ALL
EC2	EA, EI	28.14 [715]	26.76 [680]	7.5 [190]	ALL
EC2	ED	27.64 [701]	26.26 [666]	7.0 [178]	ALL
EC2	ER	29.64 [753]	28.26 [718]	9.0 [229]	ALL
EC2	EE	N/A	N/A	N/A	N/A
EC2	EE x ER	N/A	N/A	N/A	N/A
EC2	HD, CD	23.64 [600]	22.26 [565]	3.0 [76]	ALL
EC2	EM	29.64 [753]	28.26 [718]	9.0 [229]	ALL

- NOTES:
- FOR 2" MULLION ADD 7/16" TO EACH DOOR WIDTH
 - EC1 AVAILABLE ON 628, 693 & 695 FINISHES CONTACT FACTORY.
 - ON 30" DEVICE, EC1 IS AVAILABLE ON ALL FINISHES.

Finishes

Detex is the first manufacturer of architectural exit devices to utilize the most sophisticated process of finishing on stainless steel. Exclusive to Detex, the Physical Vapor Deposition (PVD) coating will not corrode, fade, chip or discolor. It is more resistant to scratching than traditional finishes and all of these features make it ideal for your very toughest locations.

Detex & BHMA Finish Numbers

Finish	Description	US Standard
605 - PVD Equivalent	Polished Brass	US3
606 - PVD Equivalent	Brushed Brass	US4
611 - PVD Equivalent	Polished Bronze	US9
612 - PVD Equivalent	Brushed Bronze	US10
613 - PVD Equivalent	Oil Rubbed Bronze	US10B
625	Polished Chrome	US26
626	Brushed Chrome	US26D
628	Satin Aluminum	US28
629	Polished Stainless Steel	US32
630	Brushed Stainless Steel	US32D
693	Painted Black	USSPBLK
695	Painted Dark Bronze	USSP313

All device finishes are over Stainless Steel.

Some outside trims are not available in stainless steel finish and will be provided in Brushed Chrome.

Split finishes, where the outside trim is different from the device, are available. List the outside trim finish first, followed by the device finish.

How to Care for Finishes

Most PVD finished devices should be cleaned with a soft cloth and glass cleaner. Do not use any type of steel wool, cleansing pad, scotch pad, foaming cleanser or any other type of cleansing product.

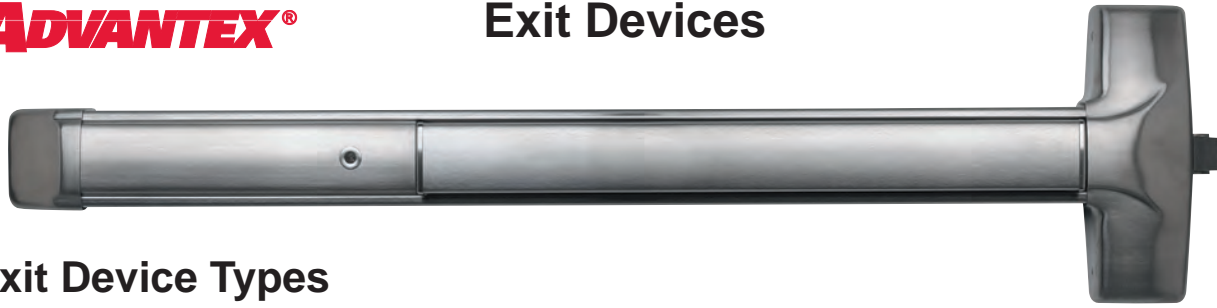
The 613 PVD finish has a coating that does not show fingerprints so cleaning should rarely be required. To restore the warmth of the color use a mild furniture polish, preferable a paste to bring back the depth of the color.

Brushed Stainless Steel (630/US32D) should be kept away from contact with other metals. It should be cleaned with a plastic pad or bronze wool. Avoid all solvents, bleach and steel wool.

Detex[®] Template Policy

Detex offers panic device template data on our website at www.detex.com. These templates are for reference purposes. We recommend cutting doors for our panic devices using the patented mounting plate and strike locator packed with each of our units. Using this mounting system to cut doors after they are hung yields a precise installation based upon the exact door to frame, and door to mullion condition at each opening.

The on-site cutting of doors for our products is made simple and practical by the fact that our devices require only simple through the door holes of standard drill bit sizes. This procedure actually reduces the installation time otherwise required to apply shims and/or relocate pre-cut holes due to door and frame installation problems.



Exit Device Types

- 10 Series** - Wide Stile Rim Device
- 10xW Series** - Weatherized Wide Stile Rim Device
- 1010D Series** - Wide Stile Rim Device (Double Cylinder)
- 20 Series** - Wide Stile Surface Vertical Rod
- 20xW Series** - Weatherized Wide Stile Surface Vertical Rod
- 21 Series** - Wide Stile Surface Vertical Rod - Top Rod Only
- 21xW Series** - Weatherized Wide Stile Surface Vertical Rod - Top Rod Only
- 27 Series** - High Security Relatching Surface Vertical Rod Device
- 30 Series** - Mortise Lock Exit Device
- 3010D Series** - Mortise Lock Exit Device (Double Cylinder)
- 40 Series** - Narrow Stile Rim Device
- 40xW Series** - Weatherized Narrow Stile Rim Device
- 50 Series** - Narrow Stile Surface Vertical Rod
- 50xW Series** - Weatherized Narrow Stile Surface Vertical Rod
- 51 Series** - Narrow Stile Surface Vertical Rod - Top Rod Only
- 51xW Series** - Weatherized Narrow Stile Surface Vertical Rod - Top Rod Only
- 60 Series** - Narrow Stile Concealed Vertical Rod for Aluminum Doors
- 61 Series** - Narrow Stile Concealed Vertical Rod for Aluminum Doors - Top Rod Only
- 62 Series** - Narrow Stile Concealed Vertical Rod for Hollow Metal Doors
- 63 Series** - Narrow Stile Concealed Vertical Rod for Hollow Metal Doors - Top Rod Only
- 70 Series** - Wide Stile Concealed Vertical Rod for Wood Doors
- 71 Series** - Wide Stile Concealed Vertical Rod for Wood Doors - Top Rod Only
- 80 Series** - Wide Stile Concealed Vertical Rod for Hollow Metal Doors
- 81 Series** - Wide Stile Concealed Vertical Rod for Hollow Metal Doors - Top Rod Only
- 82 Series** - Wide Stile Concealed Vertical Rod for Aluminum Doors
- 83 Series** - Wide Stile Concealed Vertical Rod for Aluminum Doors - Top Rod Only
- 87 Series** - High Security Relatching Concealed Vertical Rod Device

ADVANTEX® 10 SERIES (WIDE RIM)

RATING

For no rating, leave blank

- H = Hurricane Rated
- F = Fire Rated (Less/No Dogging Only)
- FH = Hurricane and Fire Rated

OUTSIDE TRIM / DEVICE FINISH

- 605 = Polished brass (PVD)
- 606 = Brushed brass (PVD)
- 611 = Polished bronze (PVD)
- 612 = Brushed bronze (PVD)
- 613 = Oil rubbed bronze
- 625 = Polished chrome
- 626 = Brushed chrome (std. on lever trims)
- 628 = Aluminum, powder coated (device only)
- 629 = Polished stainless steel
- 630 = Brushed stainless steel (std. on pull trims & device)
- 693 = Black, powder coated
- 695 = Dark bronze, powder coated

DOGGING FUNCTION

- LD = Less/No dogging
- HD = Hex key dogging
- CD = Cylinder key dogging

PRE-INSTALLED CYLINDERS

If cylinders provided by others, leave blank

- MC65 = Mortise Cylinder(s) 6pin/Keyed 5
- IC7 = Mortise Cylinder(s) SFIC housing
- IK7 = Mortise Cylinder(s) InstaKey housing
- RC65 = Rim Cylinder(s) 6pin/Keyed 5
- IC7R = Rim Cylinder(s) SFIC housing
- IK7R = Rim Cylinder(s) InstaKey housing

ENDCAP

- EC1 = Ramped endcap*
- EC2 = Flush endcap (std. on all 628/693/695 finishes)

POWER TRANSFERS

For no power transfers, leave blank

- FC3 = 3' Flex Conduit
- FC10 = 10' Flex Conduit
- FC3W = 3' Weatherized Flex Conduit
- FC10W = 10' Weatherized Flex Conduit
- PT5 = Power Transfer
- EH8 = Electric Hinge

KNURLING

For no knurling, leave blank
KN = Knurled (lever trim only)

SERIES TYPE

- 10 = Rim device, wide stile
- 10xW = Weatherized Rim device, wide stile (non-electrified)

STRIKES

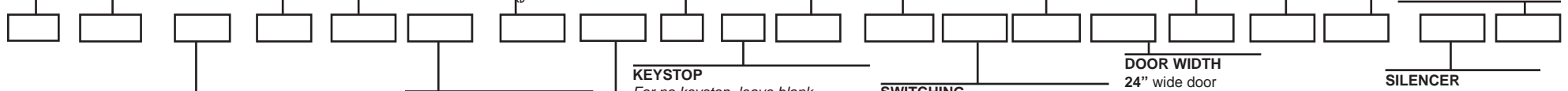
- 98 = Semi-Mortise
- 99 = Surface*
- 94 = Double-Door (least secure)

ANTIMICROBIAL

For no coating, leave blank
AM = Antimicrobial Coating

FASTENERS

For standard machine, wood & self-drilling screws, leave blank
SN1 = Sex Nuts/Throughbolts (Hurricane rated hardware includes sex nuts for latch bolt)



OUTSIDE TRIM FUNCTION

For no outside trim, leave blank

- 01C = Exit only, blank plate
- 01W = Exit only, wide blank plate - long
- 02C = Dummy pull trim
- 02Z = Inactive Vandal pull handle (handed)
- 03C = Key retracts latch; pull trim
- 03Z = Key retracts latch; Vandal pull handle (handed)
- 03W = Key retracts latch; wide plate - long
- 03WS = Key retracts latch; plate - short
- 01D = Blank escutcheon
- 02D = Dummy lever trim
- 08D = Active lever, key locks / unlocks lever; Wide lever handle (handed) (J, Q, S, T, U or FSB1076 lever**) (classroom)
- 09D = Lever trim active by key, locked when key removed; Wide lever handle (handed) (J, Q, S, T, U or FSB1076 lever**) (storeroom)
- 10D = Double cylinder; Wide lever handle (handed) (J, Q, S, T, U or FSB1076 lever**) (J, Q, S, T, U or FSB1076 lever**) (passage)
- 14D = Active lever, no key cylinder; Wide lever handle (handed) (J, Q, S, T, U or FSB1076 lever**) (passage)
- CBK = Cylinder bracket kit, 03 only, plate & pull handle by others required
- EU = Electric Unlock Trim (24VDC & Fail Secure [FSE] Std.) - Specify handing (not field reversible). For 12VDC specify 12VDC. For Fail Safe specify FSA

DOOR HANDING

- RHR = Right hand reverse*
- LHR = Left hand reverse

KEYSTOP

- For no keystone, leave blank
- KS = Key Stop (Available with EA, EBxW, EE, EExER, EI functions)

SWITCHING

- For no switching, leave blank
- LX = Latch Bolt Signal Switch
- LXV = Latch Bolt 3 Amp Current Switch

DOOR WIDTH

- 24" wide door
- 30" wide door
- 36" wide door (3")*
- 48" wide door (4")

SILENCER

- For standard pushpad, leave blank
- SLR = Silent Latch & Pushpad

ELECTRIFIED FUNCTION

For no electrified function, leave blank

Standard

Select Arming Time and Auto Rearm

- EA = Hardwired Elec. Alarm
- EA EX = Exit Alarm with Request To Exit (Signal) Switch
- EA EXV = Exit Alarm with Request To Exit (3Amp Current) Switch
- ED = Elec. Dogging
- EX = Request To Exit (Signal) Switch
- EXV = Request To Exit (3Amp Current) Switch
- EI = Elec. Integration (logic controller required)
- ES = Elec. Switching (dead latch & OKC switches)

Delayed Egress

Select Arming Delay, Delayed Egress Time and Silent Arming

- EE = Delayed Egress

Power Supply for Delayed Egress

Comes standard with 90-800 power supply

- Single = (1) 90-800 w/o bat backup
- Pair = (1) 90-800 w/o bat backup

Weatherized Alarms

Select Arming Time and Auto Rearm

- EB W = Elec. Battery Operated Exit Alarm Weatherized
- EB EX W = Elec. Battery Operated Exit Alarm Weatherized with Request To Exit (Signal) Switch
- EB EXV W = Elec. Battery Operated Exit Alarm Weatherized with Request To Exit (3Amp Current) Switch

Latch Retraction

- ER EX = Elec. Latch Retraction with Request To Exit Switch (silencer standard)
- ER EX W = Elec. Latch Retraction Weatherized with Request To Exit Switch (silencer standard)

Power Supply / Controller for Latch Retraction Only (ER EX & ER EX W)

Order/Sold Separately

- Single = 81-800
- Pair = 82-800
- 2 Independent Singles = 83-800

Weatherized Others

- ER EX W = Elec. Latch Retraction Weatherized with Request To Exit Switch (silencer standard)
- EX W = Request To Exit (Signal) Switch Weatherized
- EXV W = Request To Exit (3Amp Current) Switch Weatherized
- WDE = Weatherized Delayed Egress (see EasyKits)

Delayed Egress/Latch Retraction

- EE ER = Delayed Egress with Elec. Latch Retraction (silencer standard)
- EE ER ULC = Delayed Egress with Elec. Latch Retraction UL Canada (silencer standard)

Required Power Supply / Controller for Delayed Egress with Latch Retraction (EE ER)

Order/Sold Separately

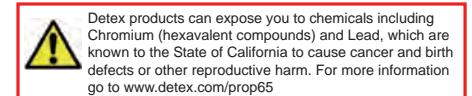
- Single EE ER = 84-800
- Pair of EE ER = 85-800
- One EE ER and One EE = 85-800 EE
- One EE ER and One ER = 85-800 ER

Fire-rated trims must be fail safe (FSA)

**Other FSB levers available: 1016, 1035, 1058, 1075, 1093, 1119, 1147. FSB levers available in 630 finish only. See catalog pages for more information.

NOTE: * = default/standard

Also see online version at detex.com/hto



September 6, 2018

10 SERIES

Rim Exit Device

The 10 Series rim exit device is super-heavy-duty panic and fire exit hardware for use on all types of single and double doors with mullions. The patented mounting plate and strike locator system ensures the easiest and most accurate installation of panic hardware available.



ANSI 156.3 - 2008
Grade 1
Type 1

Benefits

- Tough and durable design for years of trouble-free service in high-use, high-abuse environments
- Patented mounting plate and strike locator system replaces paper templates
- Fast and easy installation saves time and money
- Minimal door prep saves time and money
- Outside trims are easily changed or re-keyed without removing device from door
- Heavy duty angled end cap deflects damage away from device

Features

- All exposed surfaces are finished over stainless steel with PVD, an environmentally-friendly finishing process
- Tested beyond 1,000,000 cycles - Twice the cycling required for Grade 1 UL testing
- Non-handed
- Stainless steel deadlocking, Pullman-type latch bolt
- Field sizeable
- 1/8 turn hex or cylinder dogging

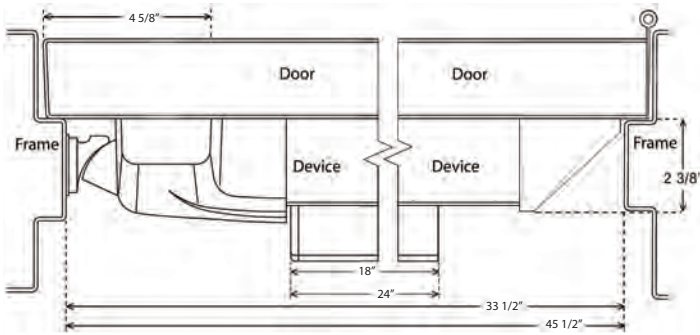
Mechanical Options

- F - 3-Hour Fire Rated
 - H - Hurricane Rated
 - AM - Anti-Microbial Coating
 - CD - Cylinder Dogging
 - HD - Hex Dogging (Std.)
 - LD - Less Dogging
 - SLR - Silencer
 - 99 - Surface Strike (Std.)
 - 98 - Semi Mortise Strike
 - EC1 - Heavy duty angled end cap (Std.)
 - EC2 - Flush end cap
 - 24 - Fits 24" Door Width
 - 30 - Fits 30" Door Width
 - 36 - Fits 36" Door Width (Std.)
 - 48 - Fits 48" Door Width
- For full list of available mechanical options, see 10 Series How To Order page

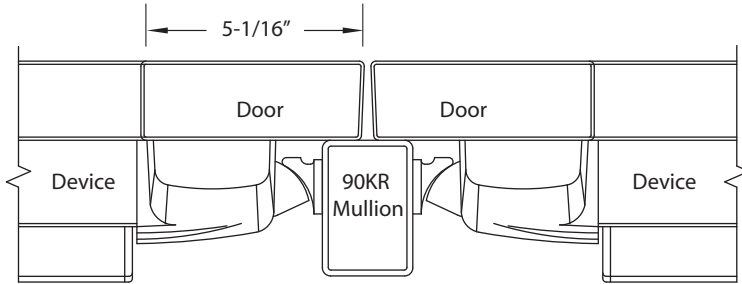
Electrical Options

- Exit Alarm (EA)
 - Electric Dogging (ED)
 - Electric Latch Retraction with Request to Exit Switch (ER EX)
 - Delayed Egress - Self Contained (EE)
 - Delayed Egress with Latch Retraction (EE ER)
 - Electric Integration (EI)
 - Electric Unlock (EU)
 - Latch Bolt Signaling (LX)
 - Latch Bolt Signaling for High Voltage (LXV)
 - Electric Switching (ES)
 - Request to Exit (EX)
 - Request to Exit for High Voltage (EXV)
- Refer to Electrified Options section for more information

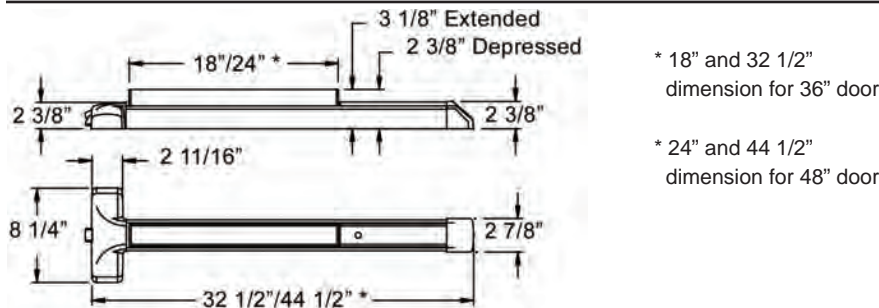
Single Door



Double Door with 90KR Mullion



Dimensions



Listings and Approvals



UL Listed Panic Hardware



ULC 97, Standard 7-2 and UL10B/UL10C for positive pressure



UL Listed Fire Exit Hardware for 3 hours, maximum 4'x10' single doors and pairs of 8'x8' with F90KR keyed removable mullion



Meets NFPA 80 & 101 for Life Safety



Meets ADA requirements



State of Florida Approval



ANSI/BHMA certified A156.3

Texas Department of Insurance



California State Fire Marshall

For detailed windstorm and fire listings, visit www.detex.com/PROVEN

Cancer & Reproductive Harm - www.detex.com/prop65

September 12, 2018

Accessories

- GB1 - Glass Bead Kit
- SN1 - Sex Nut Kit (2 per package)
- SSK - Security Torx Screw Kit
- Trim Functions (see Outside Trims)

Technical Information

- Door Types - Wood, Hollow Metal, Fiberglass or Aluminum
- Door Thickness - Fits standard 1-3/4" - 2-1/4" doors (for other door thicknesses contact factory)
- Minimum Stile - 4-5/8" with standard 99 strike; 4-1/8" with optional 98 strike
- Fasteners - Machine and Self-Drilling Screws standard

Finishes

- | | |
|--------------|--------------------------|
| 605 / US3 | Polished Brass |
| 606 / US4 | Brushed Brass |
| 611 / US9 | Polished Bronze |
| 612 / US10 | Brushed Bronze |
| 613 / US10B | Oil Rubbed Bronze |
| 628 / US28 | Aluminum Satin |
| 629 / US32 | Polished Stainless Steel |
| 630 / US32D | Brushed Stainless Steel |
| 693 / SPBLK | Black, Painted |
| 695 / SP 313 | Dark Bronze, Painted |

Detex Limited Warranty

10 Year Mechanical/3 year Electrical Limited Manufacturer's Warranty

Where Trust is Built™
DETEX®
Life Safety and Security Door Hardware

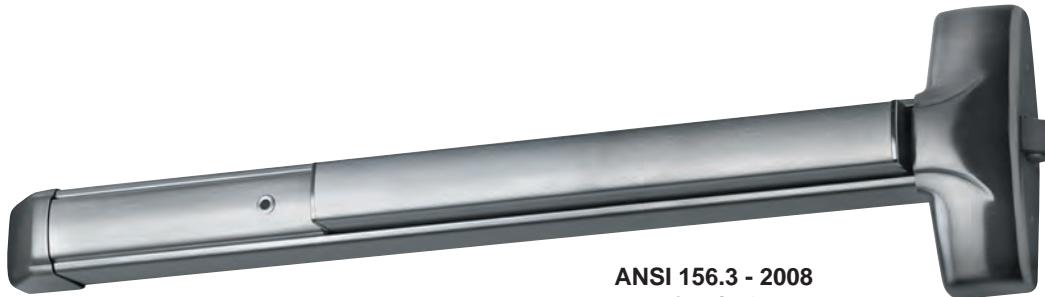
Detex Corporation
302 Detex Drive
New Braunfels, Texas 78130-3045 USA
PH. (830) 629-2900
(800) 729-3839
FAX (800) 653-3839
<http://www.detex.com>
USA Sales:
marketing@detex.com
International Sales:
export@detex.com



10xW SERIES

Weatherized Rim Exit Device

The 10xW Series **weatherized rim exit device** is super-heavy-duty **panic** and **fire exit hardware** for use on all types of single doors and gates and double doors and gates with mullions that are or may be exposed directly to the weather. The patented mounting plate and strike locator system ensures the easiest and most accurate installation of panic hardware available. In addition to listing as UL panic and fire exit hardware device, this device conforms to UL1034-34 Temperature Section 34, UL1034-54 Dust Section 54, MIL-STD 810F, Method 506.4 (driving rain test); and MIL-STD 810F, Method 509.4 (salt fog test).



ANSI 156.3 - 2008
Grade 1
Type 1



Benefits

- Tough and durable design for years of trouble-free service in high-use, high-abuse or inclement weather environments
- Minimal door prep saves time and money
- Fast and easy installation saves time and money
- Patented mounting plate and strike locator replaces paper templates
- Outside trims are easily changed or re-keyed without removing device from door
- Heavy duty angled end cap deflects damage away from device

Features

- Stainless steel deadlocking, Pullman-type latch bolt
- Assembled using components resistant to temperature, dust, driving rain and salt fog
- 1/8 turn hex or cylinder dogging
- Field sizeable
- All exposed surfaces are finished over stainless steel with PVD, an environmentally-friendly finishing process
- Non-handed
- Fasteners made of stainless steel 316 material
- Tested beyond 1,000,000 cycles - Twice the cycling required for Grade 1 UL testing

Mechanical Options

- H - Hurricane Rated
 - AM - Anti-Microbial Coating
 - BP-3 Mounting plate (call factory for retrofit information)
 - BP-5 Mounting Plate (call factory for retrofit information)
 - CD - Cylinder Dogging
 - HD - Hex Dogging (Std.)
 - LD - Less Dogging
 - EC1 - Heavy duty angled end cap (Std.)
 - EC2 - Flush end cap
 - 99 - Surface Strike (Std.)
 - 98 - Semi Mortise Strike
 - 24 - Fits 24" Door Width
 - 30 - Fits 36" Door Width
 - 36 - Fits 36" Door Width (Std.)
 - 48 - Fits 48" Door Width
- For full list of available mechanical options, see 10 Series How To Order page

Electrical Options

- Electric Unlock (EU)
 - Request to Exit Weatherized (EX W)
 - Request to Exit Weatherized for High Voltage (EXV W)
- Refer to Electrified Options section for more information



Accessories

- GB1 - Glass Bead Kit
- SSK - Security Torx Screw Kit
- GTPLKIT - Adjustable Gate Plate
- SN1 - Sex Nut Kit (2 per package)
- Trim Functions (see Outside Trims)

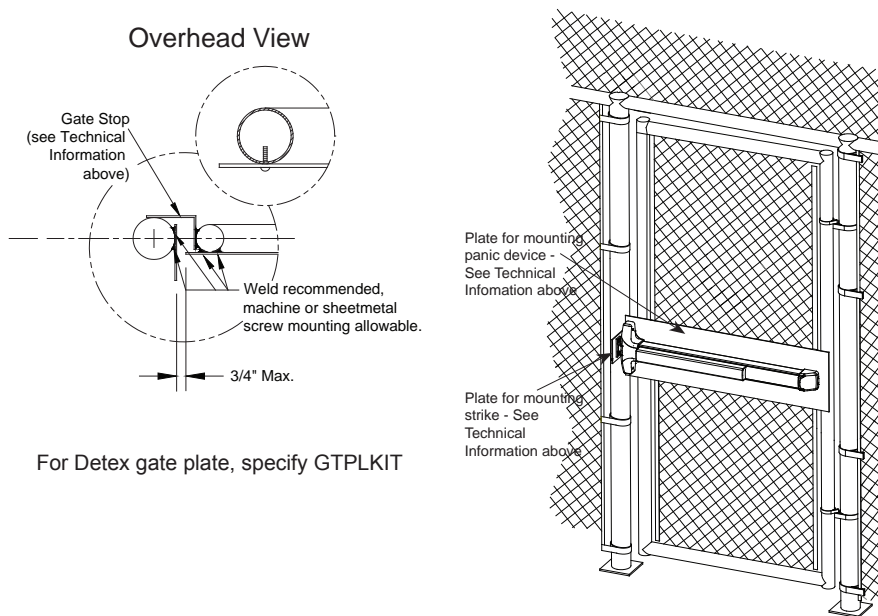
Technical Information

- Door Types - Wood, Hollow Metal, Fiberglass or Aluminum
- Door Thickness - Fits standard 1-3/4" - 2-1/4" doors (for other door thicknesses contact factory)
- Minimum Stile - 4-5/8" with standard 99 strike; 4-1/8" with optional 98 strike
- Fasteners - Machine and Self-Drilling Screws standard stainless steel 316 material
- Recommended Plate Size
 - Gate - 1/8" thick plate, galvanized, or painted steel or 1/4" thick aluminum plate, minimum height - 10"
 - Strike - 1/8" thick plated, galvanized, painted steel plate, angle iron, or 1/4" thick aluminum plate, minimum Height - 5"
 - Stop - 1/8 thick plated, galvanized, or painted angle iron or 1/4" thick aluminum angle plate, minimum Height - 2"

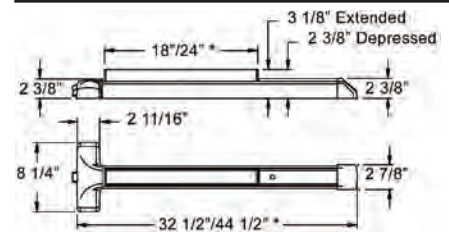
Finishes

605 / US3 Polished Brass	612 / US10 Brushed Bronze	630 / US32D Brushed Stainless Steel
606 / US4 Brushed Brass	613 / US10B Oil Rubbed Bronze	693 / SPBLK Black, Painted
611 / US9 Polished Bronze	628 / US28 Aluminum Satin	695 / SP 313 Dark Bronze, Painted Steel
	629 / US32 Polished Stainless Steel	

Single Gate



Dimensions



- * 18" and 32 1/2" dimension for 36" door
- * 24" and 44 1/2" dimension for 48" door

Detex Limited Warranty

10 Year Mechanical/3 year Electrical Limited Manufacturer's Warranty

Listings and Approvals



UL Listed Panic Hardware
 UL1034-34 Temperature Section 34 [Temperature Range -31°F (-35° C) to 150° F (+66° C)]
 UL1034-54 Dust Section 54



ANSI/BHMA certified A156.3
 MIL-STD 810F (G), Method 509.4 (Salt Fog Test)
 MIL-STD 810F (G), Method 506.4 (Driving Rain), Procedure 1



Meets ADA Requirements



State of Florida Approval
 Texas Department of Insurance

For detailed windstorm listings, visit www.detex.com/PROVEN

Cancer & Reproductive Harm - www.detex.com/prop65



Detex Corporation
 302 Detex Drive
 New Braunfels, Texas 78130-3045 USA
 PH. (830) 629-2900
 (800) 729-3839
 FAX (800) 653-3839
<http://www.detex.com>
 USA Sales:
marketing@detex.com
 International Sales:
export@detex.com



1010D SERIES

Rim Exit Device (Double Cylinder)

The 1010 Series rim exit device is super-heavy-duty panic and fire exit hardware for use on all types of single and double doors with mullions. The patented mounting plate and strike locator system ensures the easiest and most accurate installation of panic hardware available.



Benefits

- Tough and durable design for years of trouble-free service in high-use, high-abuse environments
- Patented mounting plate and strike locator system replaces paper templates
- Easy retrofit to other manufacturers
- Minimal door prep saves time and money
- Outside trims are easily changed or re-keyed without removing device from door
- Fast and easy installation saves time and money
- Gives ability to lock outside lever trim from the inside, protecting people and property inside from outside threats
- Heavy duty angled end cap deflects damage away from device

Features

- Stainless steel deadlocking, Pullman-type latch bolt
- Tested beyond 1,000,000 cycles - Twice the cycling required for Grade 1 UL testing
- All exposed surfaces are finished over stainless steel with PVD, an environmentally-friendly finishing process
- Handed
- Field sizeable
- 1/8 turn hex or cylinder dogging

Mechanical Options

- F - 3-Hour Fire Rated
 - H - Hurricane Rated
 - AM - Anti-Microbial Coating
 - SLR - Silencer
 - CD - Cylinder Dogging
 - HD - Hex Dogging (Std.)
 - LD - Less Dogging
 - 99 - Surface Strike (Std.)
 - 98 - Semi Mortise Strike
 - EC1 - Heavy duty angled end cap (Std.)
 - EC2 - Flush end cap
 - 24 - Fits 24" Door Width
 - 30 - Fits 30" Door Width
 - 36 - Fits 36" Door Width (Std.)
 - 48 - Fits 48" Door Width
- For full list of available mechanical options, see 10 Series How To Order page

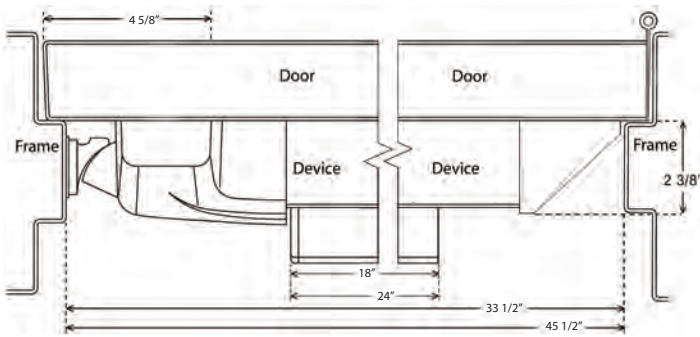
Electrical Options

- Exit Alarm (EA)
- Electric Dogging (ED)
- Electric Integration (EI)
- Electric Latch Retraction (ER)
- Electric Switching (ES)
- Request to Exit (EX)
- Request to Exit for High Voltage (EXV)

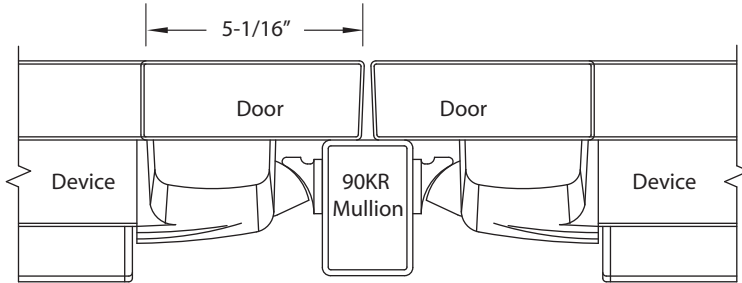
Refer to Electrified Options section for more information



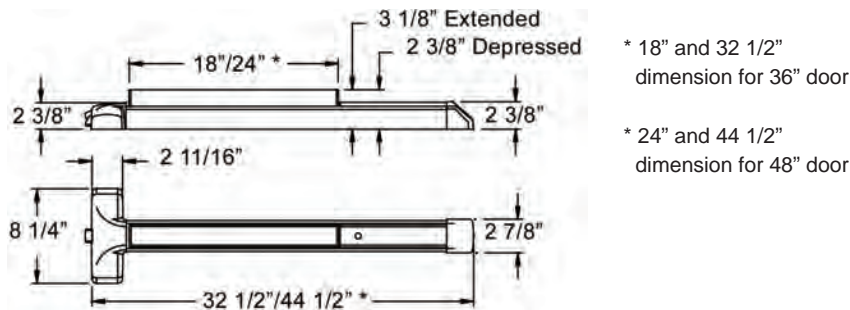
Single Door



Double Door with 90KR Mullion



Dimensions



Listings and Approvals



UL Listed Panic Hardware



UL Listed Fire Exit Hardware for 3 hours, maximum 4'x10' single doors and pairs of 4'x8' with F90KR keyed removable mullion



Meets ADA requirements



ANSI/BHMA certified A156.3



ULC 97, Standard 7-2 and UL10B/UL10C for positive pressure



Meets NFPA 80 & 101 for Life Safety



State of Florida Approval



California State Fire Marshall

For detailed windstorm and fire listings, visit www.detex.com/PROVEN

Cancer & Reproductive Harm - www.detex.com/prop65

Accessories

- GB1 - Glass Bead Kit
- SN1 - Sex Nut Kit (2 per package)
- SSK - Security Torx Screw Kit
- Trim Functions (see Outside Trims)

Technical Information

- Door Types - Wood, Hollow Metal, Fiberglass or Aluminum
- Door Thickness - Fits standard 1-3/4" - 2-1/4" doors (for other door thicknesses contact factory)
- Minimum Stile - 4-5/8" with standard 99 strike; 4-1/8" with optional 98 strike
- Fasteners - Machine and Self-Drilling Screws standard

Finishes

605 / US3	Polished Brass
606 / US4	Brushed Brass
611 / US9	Polished Bronze
612 / US10	Brushed Bronze
613 / US10B	Oil Rubbed Bronze
628 / US28	Aluminum Satin
629 / US32	Polished Stainless Steel
630 / US32D	Brushed Stainless Steel
693 / SPBLK	Black, Painted
695 / SP 313	Dark Bronze, Painted

Detex Limited Warranty

10 Year Mechanical/3 year Electrical Limited Manufacturer's Warranty

Where Trust is Built™
DETEX®
Life Safety and Security Door Hardware

Detex Corporation
 302 Detex Drive
 New Braunfels, Texas 78130-3045 USA
 PH. (830) 629-2900
 (800) 729-3839
 FAX (800) 653-3839
<http://www.detex.com>
 USA Sales:
marketing@detex.com
 International Sales:
export@detex.com

ADVANTEX® 20/21 SERIES (WIDE SURFACE VERTICAL ROD)

RATING

For no rating, leave blank

H = Hurricane Rated

F = Fire Rated (Less/No Dogging Only) - Fire pin included for F21

FH = Hurricane and Fire Rated

KNURLING

For no knurling, leave blank

KN = Knurled (lever trim only)

SERIES TYPE

20 = SVR, wide stile

20xW = Weatherized SVR, wide stile (non-electrified)

21 = SVR, top rod only, wide stile

21xW = Weatherized SVR, top rod only, wide stile (non-electrified)

27 = SVR, high security

T27 = SVR, high security, FEMA rated

OUTSIDE TRIM / DEVICE FINISH

605 = Polished brass (PVD)

606 = Brushed brass (PVD)

611 = Polished bronze (PVD)

612 = Brushed bronze (PVD)

613 = Oil rubbed bronze

625 = Polished chrome

626 = Brushed chrome (std. on lever trims)

628 = Aluminum, powder coated (device only)

629 = Polished stainless steel

630 = Brushed stainless steel (std. on pull trims & device)

693 = Black, powder coated

695 = Dark bronze, powder coated

DOGGING FUNCTION

LD = Less/No dogging

HD = Hex key dogging

CD = Cylinder key dogging

STRIKES

97 = Surface

PRE-INSTALLED CYLINDERS

If cylinders provided by others, leave blank

MC65 = Mortise Cylinder(s) 6pin/Keyed 5

IC7 = Mortise Cylinder(s) SFIC housing

IK7 = Mortise Cylinder(s) InstaKey housing

RC65 = Rim Cylinder(s) 6pin/Keyed 5

IC7R = Rim Cylinder(s) SFIC housing

IK7R = Rim Cylinder(s) InstaKey housing

ANTIMICROBIAL

For no coating, leave blank

AM = Antimicrobial Coating

ENDCAP

EC1 = Ramped endcap*

EC2 = Flush endcap (std. on all 628/693/695 finishes)

FASTENERS

For standard machine, wood & self-drilling screws, leave blank

SN1 = Sex Nuts/Throughbolts

SILENCER

For standard pushpad, leave blank

SLR = Silent Latch & Pushpad

OUTSIDE TRIM FUNCTION

For no outside trim, leave blank

01C = Exit only, blank plate

01W = Dummy pull trim, Wide blank plate - long

02C = Dummy pull trim

02Z = Inactive Vandal pull handle (handed)

03C = Key retracts latch; pull trim

03Z = Key retracts latch; Vandal pull handle (handed)

03W = Key retracts latch; wide plate - long

03WS = Key retracts latch; plate - short

01D = Blank escutcheon; Wide lever handle (handed) (J, Q, S, T, U or FSB1076 lever)**

02D = Dummy lever trim

08D = Active lever, key locks / unlocks lever; Wide lever handle (handed) (J, Q, S, T, U or FSB1076 lever**) (classroom)

09D = Lever trim active by key, locked when key removed; Wide lever handle (handed) (J, Q, S, T, U or FSB1076 lever**) (storeroom)

14D = Active lever, no key cylinder; Wide lever handle (handed) (J, Q, S, T, U or FSB1076 lever**) (passage)

CBK = Cylinder bracket kit, 03 only, plate & pull handle by others required

EU = Electric Unlock Trim (24VDC & Fail Secure [FSE] Std.) - Specify handing (not field reversible). For 12VDC specify 12VDC. For Fail Safe specify FSA

DOOR HANDING

RHR = Right hand reverse*

LHR = Left hand reverse

KEYSTOP

For no keystone, leave blank

KS = Key Stop (Available with EA, EBxW, EE, EExER, EI functions)

SWITCHING

For no switching, leave blank

LX = Latch Bolt Signal Switch

LXV = Latch Bolt 3Amp Current Switch

DOOR WIDTH

24" wide door

30" wide door

36" wide door (3')*

48" wide door (4')

POWER TRANSFERS

For no power transfers, leave blank

FC3 = 3' Flex Conduit

FC10 = 10' Flex Conduit

FC3W = 3' Weatherized Flex Conduit

FC10W = 10' Weatherized Flex Conduit

PT5 = Power Transfer

EH8 = Electric Hinge

ELECTRIFIED FUNCTION

For no electrified function, leave blank

Standard

Select Arming Time and Auto Rearm

EA = Hardwired Elec. Alarm

EA EX = Exit Alarm with Request To Exit (Signal) Switch

EA EXV = Exit Alarm with Request To Exit (3Amp Current) Switch

ED = Elec. Dogging

EX = Request To Exit (Signal) Switch

EXV = Request To Exit (3Amp Current) Switch

EE = Delayed Egress

EE = Delayed Egress

EE = Delayed Egress

EE = Delayed Egress

EE = Delayed Egress

EE = Delayed Egress

EE = Delayed Egress

EE = Delayed Egress

EE = Delayed Egress

EE = Delayed Egress

EE = Delayed Egress

EE = Delayed Egress

EE = Delayed Egress

EE = Delayed Egress

EE = Delayed Egress

EE = Delayed Egress

EE = Delayed Egress

EE = Delayed Egress

EE = Delayed Egress

EE = Delayed Egress

EE = Delayed Egress

Weatherized Alarms

Select Arming Time and Auto Rearm

EB W = Elec. Battery Operated Exit Alarm Weatherized

EB EX W = Elec. Battery Operated Exit Alarm Weatherized with Request To Exit (Signal) Switch

EB EXV W = Elec. Battery Operated Exit Alarm Weatherized with Request To Exit (3Amp Current) Switch

EB EXV W = Elec. Battery Operated Exit Alarm Weatherized with Request To Exit (3Amp Current) Switch

EB EXV W = Elec. Battery Operated Exit Alarm Weatherized with Request To Exit (3Amp Current) Switch

EB EXV W = Elec. Battery Operated Exit Alarm Weatherized with Request To Exit (3Amp Current) Switch

EB EXV W = Elec. Battery Operated Exit Alarm Weatherized with Request To Exit (3Amp Current) Switch

EB EXV W = Elec. Battery Operated Exit Alarm Weatherized with Request To Exit (3Amp Current) Switch

EB EXV W = Elec. Battery Operated Exit Alarm Weatherized with Request To Exit (3Amp Current) Switch

EB EXV W = Elec. Battery Operated Exit Alarm Weatherized with Request To Exit (3Amp Current) Switch

EB EXV W = Elec. Battery Operated Exit Alarm Weatherized with Request To Exit (3Amp Current) Switch

EB EXV W = Elec. Battery Operated Exit Alarm Weatherized with Request To Exit (3Amp Current) Switch

EB EXV W = Elec. Battery Operated Exit Alarm Weatherized with Request To Exit (3Amp Current) Switch

EB EXV W = Elec. Battery Operated Exit Alarm Weatherized with Request To Exit (3Amp Current) Switch

EB EXV W = Elec. Battery Operated Exit Alarm Weatherized with Request To Exit (3Amp Current) Switch

EB EXV W = Elec. Battery Operated Exit Alarm Weatherized with Request To Exit (3Amp Current) Switch

EB EXV W = Elec. Battery Operated Exit Alarm Weatherized with Request To Exit (3Amp Current) Switch

EB EXV W = Elec. Battery Operated Exit Alarm Weatherized with Request To Exit (3Amp Current) Switch

EB EXV W = Elec. Battery Operated Exit Alarm Weatherized with Request To Exit (3Amp Current) Switch

EB EXV W = Elec. Battery Operated Exit Alarm Weatherized with Request To Exit (3Amp Current) Switch

EB EXV W = Elec. Battery Operated Exit Alarm Weatherized with Request To Exit (3Amp Current) Switch

EB EXV W = Elec. Battery Operated Exit Alarm Weatherized with Request To Exit (3Amp Current) Switch

EB EXV W = Elec. Battery Operated Exit Alarm Weatherized with Request To Exit (3Amp Current) Switch

EB EXV W = Elec. Battery Operated Exit Alarm Weatherized with Request To Exit (3Amp Current) Switch

EB EXV W = Elec. Battery Operated Exit Alarm Weatherized with Request To Exit (3Amp Current) Switch

EB EXV W = Elec. Battery Operated Exit Alarm Weatherized with Request To Exit (3Amp Current) Switch

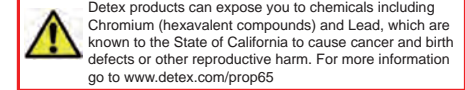
EB EXV W = Elec. Battery Operated Exit Alarm Weatherized with Request To Exit (3Amp Current) Switch

EB EXV W = Elec. Battery Operated Exit Alarm Weatherized with Request To Exit (3Amp Current) Switch

EB EXV W = Elec. Battery Operated Exit Alarm Weatherized with Request To Exit (3Amp Current) Switch

EB EXV W = Elec. Battery Operated Exit Alarm Weatherized with Request To Exit (3Amp Current) Switch

EB EXV W = Elec. Battery Operated Exit Alarm Weatherized with Request To Exit (3Amp Current) Switch



Detex products can expose you to chemicals including Chromium (hexavalent compounds) and Lead, which are known to the State of California to cause cancer and birth defects or other reproductive harm. For more information go to www.detex.com/prop65

Fire-rated trims must be fail safe (FSA)

**Other FSB levers available: 1016, 1035, 1058, 1075, 1093, 1119, 1147. FSB levers available in 630 finish only. See catalog pages for more information.

NOTE: * = default/standard

Also see online version at detex.com/hto

March 4, 2019



20 SERIES

Surface Vertical Rod Device

The 20 Series **surface vertical rod exit device** is super-heavy-duty **panic** and **fire exit hardware** for use on all types of double doors without a mullion. All 20 series SVR exit devices are supplied with top and bottom rod covers and an ADA compliant ramped bottom bolt cover. The patented mounting plate and strike locator system ensures the easiest and most accurate installation of panic hardware available.



ANSI 156.3 - 2008
Grade 1
Type 2

Benefits

- Tough and durable design for years of trouble-free service in high-use, high-abuse environments
- Patented mounting plate and strike locator system replaces paper templates
- Minimal door prep saves time and money
- Outside trims are easily changed or rekeyed without removing device from door
- Security enhanced by stainless steel rod covers, standard
- Heavy duty angled end cap deflects damage away from device
- Fast and easy installation saves time and money

Features

- Stainless steel deadlocking top latch
- Hardened steel bottom drop bolt with dust proof strike
- Field sizeable
- ADA ramped bottom bolt cover
- 1/8 turn hex or cylinder dogging
- Handed - field reversible
- All exposed surfaces are finished over stainless steel with PVD, an environmentally friendly finishing process

Mechanical Options

- F - 3-Hour Fire Rated
 - AM - Anti-Microbial Coating
 - HD - Hex Dogging (Std.)
 - CD - Cylinder Dogging
 - LD - Less Dogging
 - 24 - Fits 24" Door Width
 - 30 - Fits 30" Door Width
 - 36 - Fits 36" Door Width (Std.)
 - 48 - Fits 48" Door Width
 - 84 - 84" Door Height (Std.)
 - 96 - 85" to 96" Door Height
 - 120 - 97" to 120" Door Height
- For full list of available mechanical options, see 20 Series How To Order page

Electrical Options

- Exit Alarm (EA)
- Electric Dogging (ED)
- Electric Latch Retraction (ER)
- Delayed Egress - Self Contained (EE)
- Delayed Egress with Latch Retraction (EE ER)
- Electric Unlock (EU)
- Request to Exit (EX)
- Request to Exit for High Voltage (EXV)

Refer to Electrified Options section for more information

Accessories

- GB3 - Glass Bead Kit - 7' Door Height (84")
- GB7 - Glass Bead Kit - 8' Door Height (85" - 96")
- GB11 - Glass Bead Kit - 10' Door Height (97" - 120")
- SN1 - Sex Nut Kit (2 per package)
- SSK- Security Torx Screw Kit
- Trim Functions (see Outside Trims)

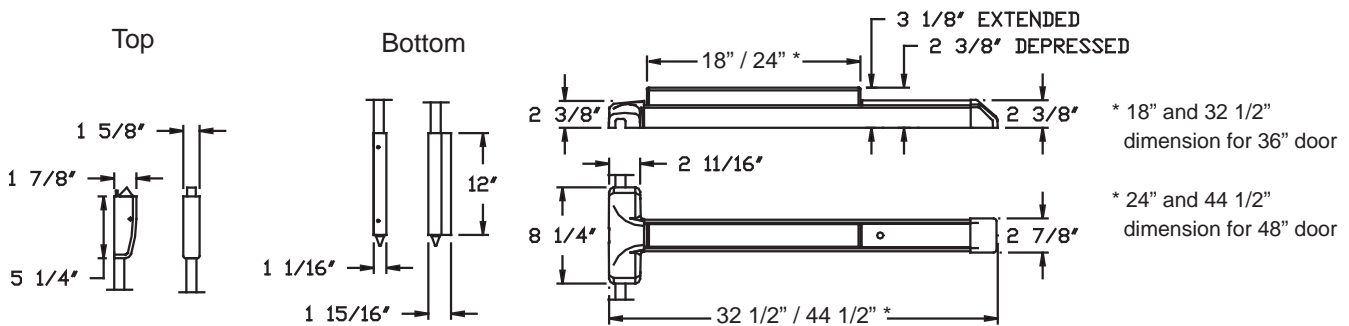
Technical Information

- Door Types - Wood, Hollow Metal, Fiberglass or Aluminum
- Door Thickness - Fits standard 1-3/4" - 2-1/4" doors (for other door thicknesses contact factory)
- Minimum Stile - 4-1/2" with standard 97 strike
- Fasteners - Machine and Self-Drilling Screws standard





Finishes

605 / US3 Polished Brass	628 / US28 Aluminum Satin	693 / SPBLK Black, Painted
606 / US4 Brushed Brass	629 / US32 Polished Stainless Steel	695 / SP 313 Dark Bronze, Painted
611 / US9 Polished Bronze	630 / US32D Brushed Stainless Steel	
612 / US10 Brushed Bronze		
613 / US10B Oil Rubbed Bronze		

Dimensions



Listings and Approvals

-  UL Listed Panic Hardware
-  UL Listed Fire Exit Hardware for 3 hours, maximum 4'x10' single doors and 8'x10' pairs of doors
-  Meets ADA requirements
-  ANSI/BHMA certified A156.3

-  UBC 97, Standard 7-2 and UL10B/UL10C for positive pressure
-  Meets NFPA 80 & 101 for Life Safety
-  State of Florida Approval
-  California State Fire Marshal

Detex Limited Warranty

10 Year Mechanical/3 year Electrical Limited Manufacturer's Warranty



Detex Corporation
 302 Detex Drive
 New Braunfels, Texas 78130-3045 USA
 PH. (830) 629-2900
 (800) 729-3839
 FAX (800) 653-3839
<http://www.detex.com>
 USA Sales:
marketing@detex.com
 International Sales:
export@detex.com

For detailed windstorm and fire listings, www.visitdetex.com/PROVEN

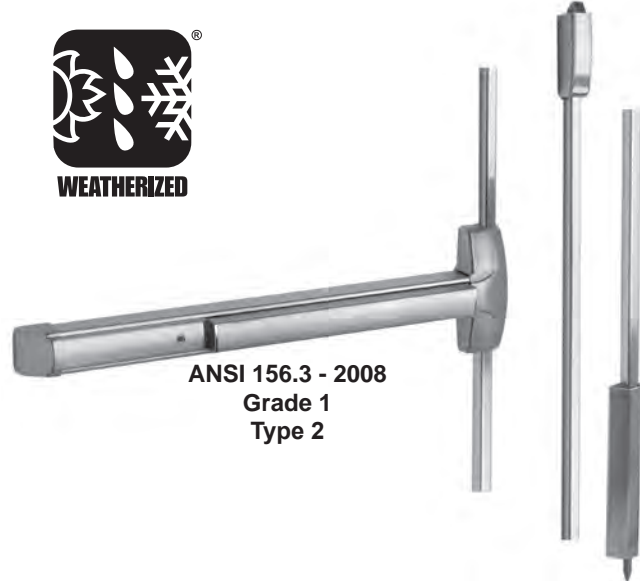
 Cancer & Reproductive Harm - www.detex.com/prop65



20xW SERIES

Weatherized Surface Vertical Rod Device

The 20xW Series **surface vertical rod exit device** is super-heavy-duty **panic** and **fire exit hardware** for use on all types of double doors or gates without a mullion that are or may be exposed directly to the weather. All 20 series SVR exit devices are supplied with top and bottom rod covers and an ADA compliant ramped bottom bolt cover. The patented mounting plate and strike locator system ensures the easiest and most accurate installation of panic hardware available. In addition to listing as UL panic and fire exit hardware device, this device conforms to UL1034-34 Temperature Section 34, UL1034-54 Dust Section 54, MIL-STD 810F, Method 506.4 (driving rain test); and MIL-STD 810F, Method 509.4 (salt fog test).



**ANSI 156.3 - 2008
Grade 1
Type 2**

Benefits

- Tough and durable design for years of trouble-free service in high-use, high-abuse or inclement weather environments
- Outside trims are easily changed or rekeyed without removing device from door
- Minimal door prep saves time and money
- Heavy duty angled end cap deflects damage away from device
- Security enhanced by stainless steel rod covers, standard
- Patented mounting plate and strike locator system replaces paper templates
- Fast and easy installation saves time and money

Features

- Stainless steel deadlocking top latch
- Hardened steel bottom drop bolt with dust proof strike
- Fasteners made of stainless steel 316 material
- ADA ramped bottom bolt cover
- 1/8 turn hex or cylinder dogging
- All exposed surfaces are finished over stainless steel with PVD, an environmentally friendly finishing process
- Handed - field reversible
- Assembled using components resistant to temperature, dust, driving rain and salt fog
- Field sizeable

Mechanical Options

- AM - Anti-Microbial Coating
- HD - Hex Dogging (Std.)
- CD - Cylinder Dogging
- LD - Less Dogging
- 24 - Fits 24" Door Width
- 30 - Fits 30" Door Width
- 36 - Fits 36" Door Width (Std.)
- 48 - Fits 48" Door Width
- 84 - 84" Door Height (Std.)
- 96 - 85" to 96" Door Height
- 120 - 97" to 120" Door Height

For full list of available mechanical options, see 20 Series How To Order page

Electrical Options

- Electric Unlock (EU)
 - Request to Exit Weatherized (EX W)
 - Request to Exit Weatherized for High Voltage (EXV W)
- Refer to Electrified Options section for more information

Accessories

- GB3 - Glass Bead Kit - 7' Door Height (84")
- GB7 - Glass Bead Kit - 8' Door Height (85" - 96")
- GB11 - Glass Bead Kit - 10' Door Height (97" - 120")
- SN1 - Sex Nut Kit (2 per package)



Accessories Cont'd

- SSK- Security Torx Screw Kit
- Trim Functions (see Outside Trims)
- GTPLKIT - Adjustable Gate Plate

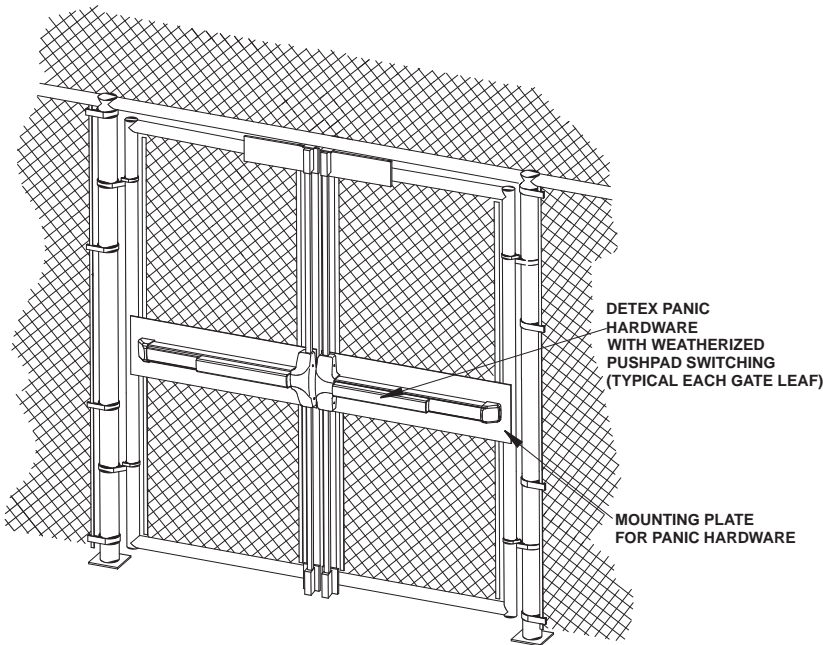
Technical Information

- Door Types - Wood, Hollow Metal, Fiberglass or Aluminum
- Door Thickness - Fits standard 1-3/4" - 2-1/4" doors (for other door thicknesses contact factory)
- Minimum Stile - 4-1/2" with standard 97 strike
- Fasteners - Machine and Self-Drilling Screws standard stainless steel 316 material
- Recommended Plate Size
Gate - 1/8" thick plate, galvanized, or painted steel or 1/4" thick aluminum plate, minimum Height - 10"
- Strike - 1/8" thick plated, galvanized, painted steel plate, angle iron, or 1/4" thick aluminum plate, minimum Height - 5"
- Stop - 1/8" thick plated, galvanized, or painted angle iron or 1/4" thick aluminum angle plate, minimum Height - 2"

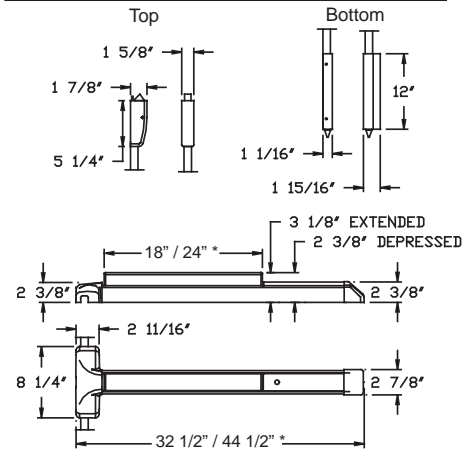
Finishes

605 / US3	Polished Brass	613 / US10B	Oil Rubbed Bronze	630 / US32D	Brushed Stainless Steel
606 / US4	Brushed Brass	628 / US28	Aluminum Satin	693 / SPBLK	Black, Painted
611 / US9	Polished Bronze	629 / US32	Polished Stainless Steel	695 / SP 313	Dark Bronze, Painted
612 / US10	Brushed Bronze				

Double Gate Riser



Dimensions



* 18" and 32 1/2" dimension for 36" door
* 24" and 44 1/2" dimension for 48" door

Detex Limited Warranty

10 Year Mechanical/3 year Electrical
Limited Manufacturer's Warranty

Listings and Approvals



UL Listed Panic Hardware



ANSI/BHMA certified A156.3



UL1034-34 Temperature Section 34
[Temperature Range -31° F (-35° C) to 150° F (+66° C)]



State of Florida Approval

Texas Department of Insurance

UL1034-54 Dust Section 54



Meets ADA requirements

MIL-STD 810F (G), Method 509.4
(Salt Fog Test)

MIL-STD 810F (G), Method 506.4
(Driving Rain), Procedure 1



Detex Corporation
302 Detex Drive
New Braunfels, Texas 78130-3045 USA

PH. (830) 629-2900

(800) 729-3839

FAX (800) 653-3839

http://www.detex.com

USA Sales:

marketing@detex.com

International Sales:

export@detex.com

For detailed windstorm listings, visit www.detex.com/PROVEN



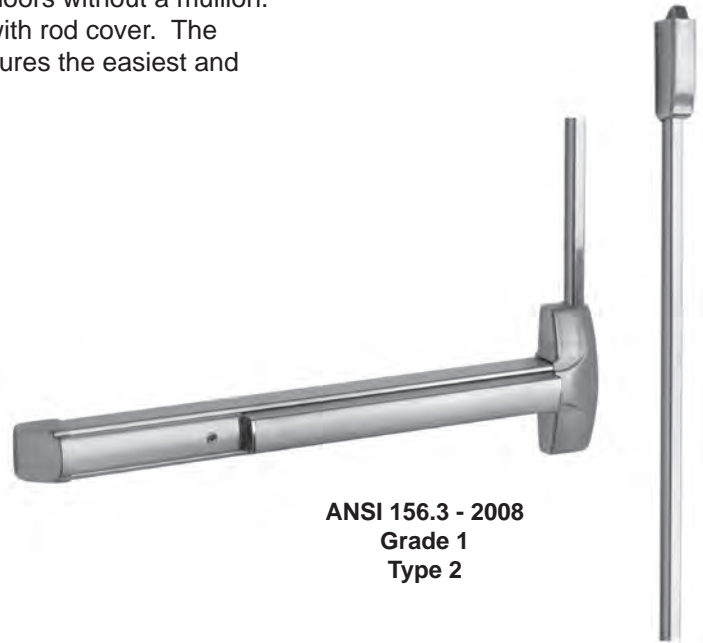
Cancer & Reproductive Harm - www.detex.com/prop65



21 SERIES

Surface Vertical Top Rod Only Device

The 21 Series **surface vertical rod exit device** is super-heavy-duty **panic** and **fire exit hardware** for use on all types of double doors without a mullion. All 21 Series Top Rod Only exit devices are supplied with rod cover. The patented mounting plate and strike locator system ensures the easiest and most accurate installation of panic hardware available.



ANSI 156.3 - 2008
Grade 1
Type 2

Benefits

- Tough and durable design for years of trouble-free service in high-use, high-abuse environments
- Outside trims are easily changed or rekeyed without removing device from door
- Minimal door prep saves time and money
- Fast and easy installation saves time and money
- Heavy duty angled end cap deflects damage away from device
- Security enhanced by stainless steel rod covers, standard
- Patented mounting plate and strike locator system replaces paper templates

Features

- Stainless steel deadlocking top latch
- 1/8 turn hex or cylinder dogging
- All exposed surfaces are finished over stainless steel with PVD, an environmentally friendly finishing process
- Handed - field reversible
- Field sizeable

Mechanical Options

- F - 3-Hour Fire Rated
 - HD - Hex Dogging (Std.)
 - AM - Anti-Microbial Coating
 - CD - Cylinder Dogging
 - LD - Less Dogging
 - 24 - Fits 24" Door Width
 - 30 - Fits 30" Door Width
 - 36 - Fits 36" Door Width (Std.)
 - 48 - Fits 48" Door Width
 - 84 - 84" Door Height (Std.)
 - 96 - 85" to 96" Door Height
 - 120 - 97" to 120" Door Height
- For full list of available mechanical options, see 20 Series How To Order page

Electrical Options

- Exit Alarm (EA)
- Electric Dogging (ED)
- Electric Latch Retraction (ER)
- Delayed Egress - Self Contained (EE)
- Delayed Egress with Latch Retraction (EE ER)
- Electric Unlock (EU)
- Request to Exit (EX)
- Request to Exit for High Voltage (EXV)

Refer to Electrified Options section for more information

Accessories

- GB4 - Glass Bead Kit - 7' Door Height (84")
- GB8 - Glass Bead Kit - 8' Door Height (85" - 96")
- GB12 - Glass Bead Kit - 10' Door Height (97" - 120")
- SN1 - Sex Nut Kit (2 per package)
- SSK- Security Torx Screw Kit
- Trim Functions (see Outside Trims)

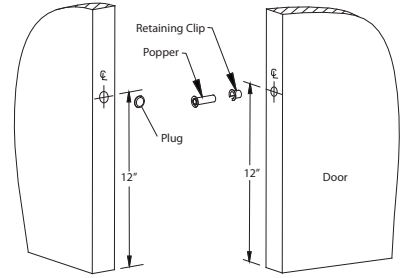
Technical Information

- Door Types - Wood, Hollow Metal, Fiberglass or Aluminum
- Door Thickness - Fits standard 1-3/4" - 2-1/4" doors (for other door thicknesses contact factory)
- Minimum Stile - 4-1/2" with standard 97 strike
- Fasteners - Machine and Self-Drilling Screws standard

Finishes

605 / US3	Polished Brass	629 / US32	Polished Stainless Steel
606 / US4	Brushed Brass	630 / US32D	Brushed Stainless Steel
611 / US9	Polished Bronze	693 / SPBLK	Black, Painted
612 / US10	Brushed Bronze	695 / SP 313	Dark Bronze, Painted
613 / US10B	Oil Rubbed Bronze		
628 / US28	Aluminum Satin		

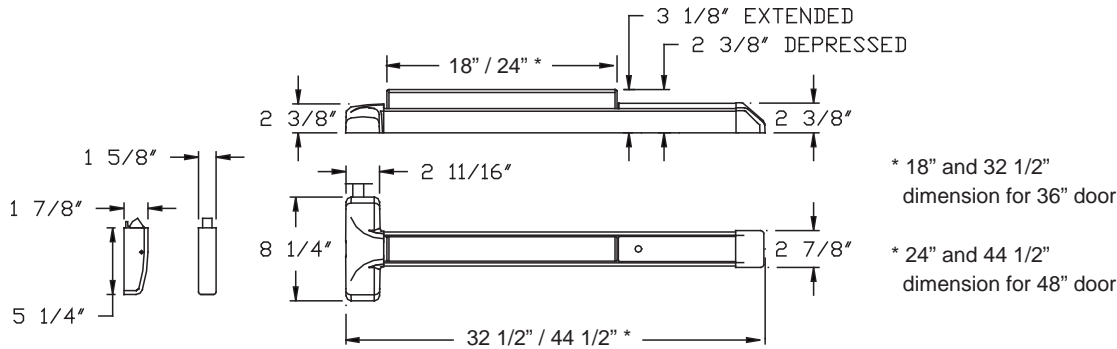
Popper Detail for Fire Rated Device



Detex Limited Warranty

10 Year Mechanical/3 year Electrical Limited Manufacturer's Warranty

Dimensions



Listings and Approvals



UL Listed Panic Hardware



ULC 97, Standard 7-2 and UL10B/UL10C for positive pressure



UL Listed Fire Exit Hardware for 3 hours, maximum 4'x10' single doors and 8'x10' pairs of doors



Meets NFPA 80 & 101 for Life Safety



Meets ADA requirements



California State Fire Marshal



ANSI/BHMA certified A156.3



Detex Corporation
 302 Detex Drive
 New Braunfels, Texas 78130-3045 USA

PH. (830) 629-2900

(800) 729-3839

FAX (800) 653-3839

http://www.detex.com

USA Sales:

marketing@detex.com

International Sales:

export@detex.com

For detailed fire listings, visit www.detex.com/PROVEN

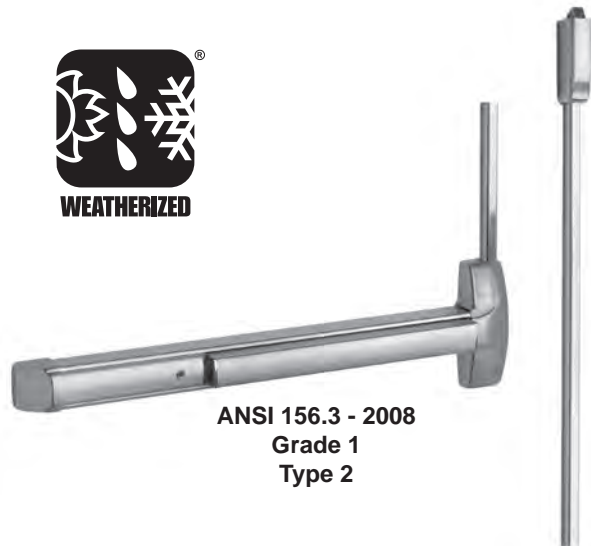
Cancer & Reproductive Harm - www.detex.com/prop65



21xW SERIES

Weatherized Surface Vertical Top Rod Only Device

The 21xW Series **surface vertical rod exit device** is super-heavy-duty **panic** and **fire exit hardware** for use on all types of double doors or gates without a mullion that are or may be exposed directly to the weather. All 21 Series Top Rod Only exit devices are supplied with top and bottom rod covers and an ADA compliant ramped bottom bolt cover. The patented mounting plate and strike locator system ensures the easiest and most accurate installation of panic hardware available. In addition to listing as UL panic and fire exit hardware device, this device conforms to UL1034-34 Temperature Section 34, UL1034-54 Dust Section 54, MIL-STD 810F, Method 506.4 (driving rain test); and MIL-STD 810F, Method 509.4 (salt fog test).



**ANSI 156.3 - 2008
Grade 1
Type 2**

Benefits

- Fast and easy installation saves time and money
- Heavy duty angled end cap deflects damage away from device
- Minimal door prep saves time and money
- Outside trims are easily changed or rekeyed without removing device from door
- Tough and durable design for years of trouble-free service in high-use, high-abuse or inclement weather environments
- Security enhanced by stainless steel rod covers, standard
- Patented mounting plate and strike locator system replaces paper templates

Features

- Stainless steel deadlocking top latch
- Handed - field reversible
- Field sizeable
- 1/8 turn hex or cylinder dogging
- All exposed surfaces are finished over stainless steel with PVD, an environmentally friendly finishing process
- Assembled using components resistant to temperature, dust, driving rain and salt fog
- Fasteners made of stainless steel 316 material

Mechanical Options

- F - 3-Hour Fire Rated
 - AM - Anti-Microbial Coating
 - HD - Hex Dogging (Std.)
 - CD - Cylinder Dogging
 - LD - Less Dogging
 - 24 - Fits 24" Door Width
 - 30 - Fits 30" Door Width
 - 36 - Fits 36" Door Width (Std.)
 - 48 - Fits 48" Door Width
 - 84 - 84" Door Height (Std.)
 - 96 - 85" to 96" Door Height
 - 120 - 97" to 120" Door Height
- For full list of available mechanical options, see 20 Series How To Order page

Electrical Options

- Electric Unlock (EU)
 - Request to Exit Weatherized (EX W)
 - Request to Exit Weatherized for High Voltage (EXV W)
- Refer to Electrified Options section for more information

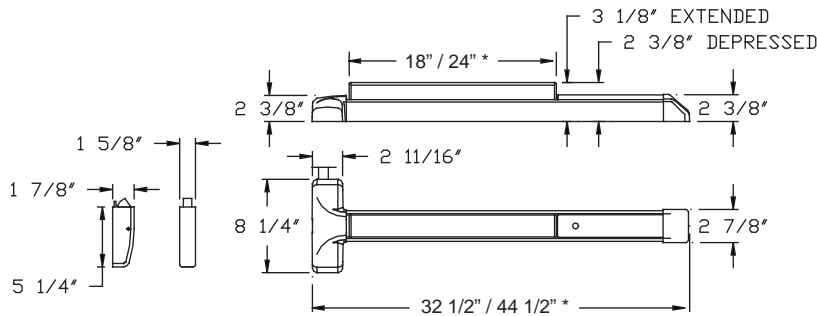
Accessories

- GB4 - Glass Bead Kit - 7' Door Height (84")
- GB8 - Glass Bead Kit - 8' Door Height (85" - 96")
- GB12 - Glass Bead Kit - 10' Door Height (97" - 120")
- GTPLKIT - Adjustable Gate Plate
- SN1 - Sex Nut Kit (2 per package)
- SSK- Security Torx Screw Kit
- Trim Functions (see Outside Trims)

Technical Information

- Door Thickness - Fits standard 1-3/4" - 2-1/4" doors (for other door thicknesses contact factory)
- Door Types - Wood, Hollow Metal, Fiberglass or Aluminum
- Fasteners - Machine and Self-Drilling Screws standard stainless steel 316 material
- Minimum Stile - 4-1/2" with standard 97 strike

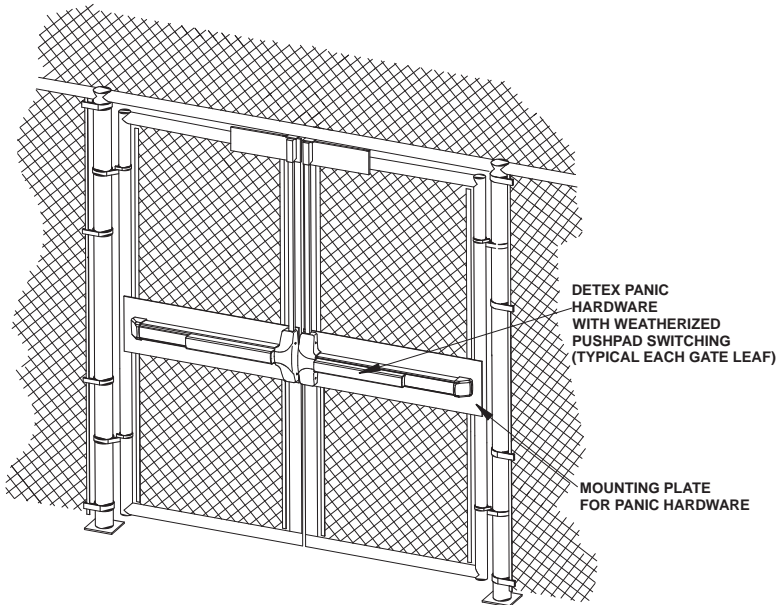
Dimensions



* 18" and 32 1/2" dimension for 36" door

* 24" and 44 1/2" dimension for 48" door

Riser Diagram



Finishes

- | | |
|--------------|--------------------------|
| 605 / US3 | Polished Brass |
| 606 / US4 | Brushed Brass |
| 611 / US9 | Polished Bronze |
| 612 / US10 | Brushed Bronze |
| 613 / US10B | Oil Rubbed Bronze |
| 628 / US28 | Aluminum Satin |
| 629 / US32 | Polished Stainless Steel |
| 630 / US32D | Brushed Stainless Steel |
| 693 / SPBLK | Black, Painted |
| 695 / SP 313 | Dark Bronze, Painted |

Detex Limited Warranty

10 Year Mechanical/3 year Electrical
Limited Manufacturer's Warranty

Listings and Approvals



UL Listed Panic Hardware



Meets ADA requirements



UL1034-34 Temperature Section 34
[Temperature Range -31° F (-35° C) to 150° F (+66° C)]

MIL-STD 810F (G), Method 509.4
(Salt Fog Test)

UL1034-54 Dust Section 54

MIL-STD 810F (G), Method 506.4
(Driving Rain), Procedure 1



ANSI/BHMA certified A156.3

Where Trust is Built™
DETEX®
Life Safety and Security Door Hardware

For detailed fire listings, visit www.detex.com/PROVEN

Detex Corporation
302 Detex Drive
New Braunfels, Texas 78130-3045 USA
PH. (830) 629-2900
(800) 729-3839
FAX (800) 653-3839
<http://www.detex.com>
USA Sales:
marketing@detex.com
International Sales:
export@detex.com



Cancer & Reproductive Harm - www.detex.com/prop65



27 SERIES

High Security Relatching Surface Vertical Rod Device

The 27 Series high security surface vertical rod exit device is super-heavy-duty panic and fire exit hardware for use on all types of double doors without a mullion. The 27 Series is available with both top and bottom rods, but not available with top rod only. The patented mounting plate and strike locator system ensures the easiest and most accurate installation of panic hardware available.

Benefits

- Tough and durable design for years of trouble-free service in high-use, high-abuse environments
- Security enhanced by oversized, heavy duty relatching top and bottom bolts
- Patented mounting plate and strike locator replaces paper templates
- Minimal door prep saves time and money
- Outside trims are easily changed or rekeyed without removing device from door
- Fast and easy installation saves time and money
- Heavy duty angled end cap deflects damage away from device

Features

- Stainless steel relatching, top bolt
- Hardened steel bottom drop bolt with optional dust proof strike
- Handed - field reversible
- Field sizeable
- Bottom bolt cover
- 1/8 turn hex or cylinder dogging
- All exposed surfaces are finished over stainless steel with PVD, an environmentally friendly finishing process

Mechanical Options

- T - Tornado/Windstorm Rated (FEMA 361) - up to 42" wide and 88" height
- F - Contact factory for availability
- AM - Anti-Microbial Coating
- HD - Hex Dogging (Std.)
- CD - Cylinder Dogging
- LD - Less Dogging
- 24 - Fits 24" Door Width
- 30 - Fits 30" Door Width
- 36 - Fits 36" Door Width (Std.)
- 48 - Fits 48" Door Width
- 84 - 84" Door Height (Std.)
- 96 - 85" to 96" Door Height
- 120 - 97" to 120" Door Height

Electrical Options

- Exit Alarm (EA)
- Electric Dogging (ED)
- Electric Latch Retraction (ER)
- Delayed Egress - Self Contained (EE)
- Delayed Egress with Latch Retraction (EE ER)
- Electric Unlock (EU)
- Request to Exit (EX)
- Request to Exit for High Voltage (EXV)

Refer to Electrified Options section for more information



Accessories

- GB3 - Glass Bead Kit - 7' Door Height (84")
- GB7 - Glass Bead Kit - 8' Door Height (85" - 96")
- GB11 - Glass Bead Kit - 10' Door Height (97" - 120")
- SN1 - Sex Nut Kit (2 per package)
- SSK- Security Torx Screw Kit
- Trim Functions (see Outside Trims)

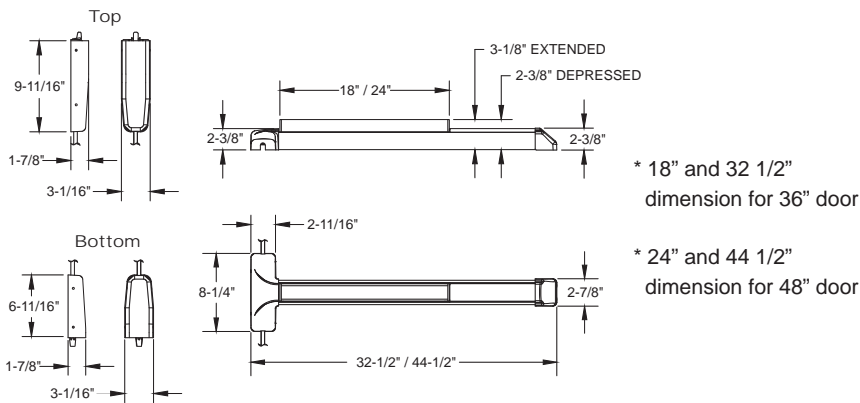
Technical Information

- Door Types - Wood, Hollow Metal, Fiberglass or Aluminum
- Door Thickness - Fits standard 1-3/4" - 2-1/4" doors (for other door thicknesses contact factory)
- Minimum Stile - 4-1/2" with standard 999 strike
- 1-1/2" minimum frame stop width
- Fasteners - Machine and Self-Drilling Screws standard

Finishes

605 / US3	Polished Brass	628 / US28	Aluminum Satin	693 / SPBLK	Black, Painted
606 / US4	Brushed Brass	629 / US32	Polished Stainless Steel	695 / SP 313	Dark Bronze, Painted
611 / US9	Polished Bronze				
612 / US10	Brushed Bronze	630 / US32D	Brushed Stainless Steel		
613 / US10B	Oil Rubbed Bronze				

Dimensions



Detex Limited Warranty

10 Year Mechanical/3 year Electrical Limited Manufacturer's Warranty

Listings and Approvals



UL Listed Panic Hardware



ULC 97, Standard 7-2 and UL10B/UL10C for positive pressure



UL Listed Fire Exit Hardware for 3 hours, maximum 4'x10' single doors and 8'x10' pairs of doors



Meets NFPA 80 & 101 for Life Safety



Meets ADA requirements

Qualified to meet FEMA 361; Tested at TEXAS Tech University National Wind Institute



ANSI/BHMA certified A156.3

Where Trust is Built™
DETEX®
Life Safety and Security Door Hardware

For detailed fire and windstorm listings, visit www.detex.com/PROVEN

Detex Corporation
 302 Detex Drive
 New Braunfels, Texas 78130-3045 USA

PH. (830) 629-2900

(800) 729-3839

FAX (800) 653-3839

<http://www.detex.com>

USA Sales:

marketing@detex.com

International Sales:

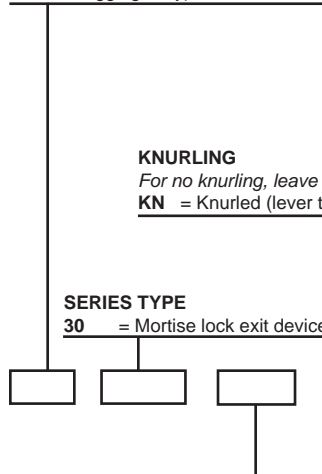
export@detex.com

Cancer & Reproductive Harm - www.detex.com/prop65

ADVANTEX® 30 SERIES (MORTISE)

RATING

For no rating, leave blank
"F" = Fire Rated (Less/No Dogging Only)

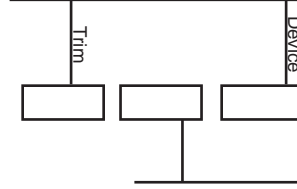


KNURLING

For no knurling, leave blank
KN = Knurled (lever trim only)

OUTSIDE TRIM / DEVICE FINISH

- 605 = Polished brass (PVD)
- 606 = Brushed brass (PVD)
- 611 = Polished bronze (PVD)
- 612 = Brushed bronze (PVD)
- 613 = Oil rubbed bronze
- 625 = Polished chrome
- 626 = Brushed chrome (std. on lever trims)
- 628 = Aluminum, powder coated (device only)
- 629 = Polished stainless steel
- 630 = Brushed stainless steel (std. on pull trims & device)
- 693 = Black, powder coated
- 695 = Dark bronze, powder coated



STRIKES

- 90 = Non-handed curved lip
- 91 = ANSI flat lip
- 92 = Double door short open back
- 93 = Double door long open back

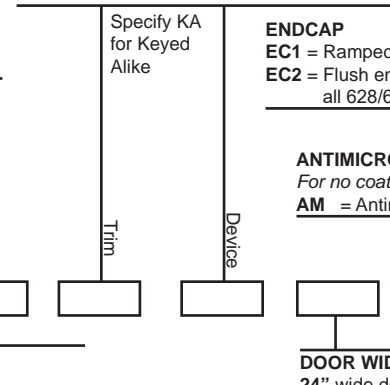
DOGGING FUNCTION

- LD = Less/No dogging
- HD = Hex key dogging
- CD = Cylinder key dogging

PRE-INSTALLED CYLINDERS

If cylinders provided by others, leave blank

- MC65 = Mortise Cylinder(s) 6pin/Keyed 5
- IC7 = Mortise Cylinder(s) SFIC housing
- IK7 = Mortise Cylinder(s) InstaKey housing
- RC65 = Rim Cylinder(s) 6pin/Keyed 5
- IC7R = Rim Cylinder(s) SFIC housing
- IK7R = Rim Cylinder(s) InstaKey housing

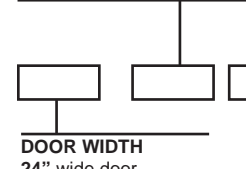


ENDCAP

- EC1 = Ramped endcap*
- EC2 = Flush endcap (std. on all 628/693/695 finishes)

ANTIMICROBIAL

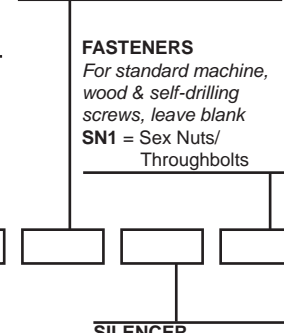
For no coating, leave blank
AM = Antimicrobial Coating



POWER TRANSFERS

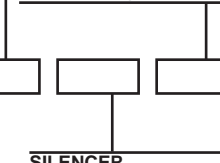
For no power transfers, leave blank

- FC3 = 3' Flex Conduit
- FC10 = 10' Flex Conduit
- PT5 = Power Transfer
- EH8 = Electric Hinge



FASTENERS

For standard machine, wood & self-drilling screws, leave blank
SN1 = Sex Nuts/Throughbolts



SERIES TYPE

- 30 = Mortise lock exit device

OUTSIDE TRIM FUNCTION

For no outside trim, leave blank

- 01CM = Exit only, blank plate
- 01WM = Dummy pull trim, Wide blank plate - long
- 02CM = Dummy pull trim
- 03CM = Key retracts latch; pull trim
- 03WM = Key retracts latch; wide plate - long
- 01DM = Blank escutcheon; Wide lever handle (handed) (J, Q, S, T, U or FSB1076 lever)**
- 02DM = Dummy lever trim
- 08DM = Active lever, key locks / unlocks lever; Wide lever handle (handed) (J, Q, S, T, U or FSB1076 lever**) (classroom)
- 09DM = Lever trim active by key, locked when key removed; Wide lever handle (handed) (J, Q, S, T, U or FSB1076 lever**) (storeroom)
- 10DM = Double cylinder; Wide lever handle (handed) (J, Q, S, T, U or FSB1076 lever**) (passage)
- 14DM = Active lever, no key cylinder; Wide lever handle (handed) (J, Q, S, T, U or FSB1076 lever**) (passage)
- CBK = Cylinder bracket kit, 03 only, plate & pull handle by others required
- EUxDM = Electric Unlock Trim (24VDC & Fail Secure [FSE] Std.) - Specify handing (not field reversible). For 12VDC specify 12VDC. For Fail Safe specify FSA

DOOR HANDING

- RHR = Right hand reverse*
- LHR = Left hand reverse

KEYSTOP

For no keystone, leave blank
KS = Key Stop (Available with EA, EE, EExER, EI functions)

ELECTRIFIED FUNCTION

For no electrified function, leave blank

Standard

Select Arming Time and Auto Rearm

- EA = Hardwired Elec. Alarm
- EA EX = Exit Alarm with Request To Exit (Signal) Switch
- EA EXV = Exit Alarm with Request To Exit (3Amp Current) Switch
- ED = Elec. Dogging
- EX = Request To Exit (Signal) Switch
- EXV = Request To Exit (3Amp Current) Switch
- ES = Elec. Switching (dead latch & OKC switches)

Delayed Egress

Select Arming Delay, Delayed Egress Time and Silent Arming
EE = Delayed Egress

Power Supply for Delayed Egress

Comes standard with 90-800 power supply
Single = (1) 90-800 w/o bat backup
Pair = (1) 90-800 w/o bat backup

Latch Retraction

ER EX = Elec. Latch Retraction with Request To Exit Switch (silencer standard)

Power Supply / Controller for Latch Retraction Only (ER EX)

Order/Sold Separately
Single = 81-800
Pair = 82-800
2 Independent Singles = 83-800

Delayed Egress/Latch Retraction

EE ER = Delayed Egress with Elec. Latch Retraction (silencer standard)
 EE ER ULC = Delayed Egress with Elec. Latch Retraction UL Canada (silencer standard)

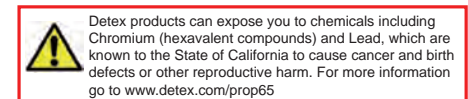
Required Power Supply / Controller for Delayed Egress with Latch Retraction (EE ER)

Order/Sold Separately
Single EE ER = 84-800
Pair of EE ER = 85-800
One EE ER and One EE = 85-800 EE
One EE ER and One ER = 85-800 ER

Fire-rated trims must be fail safe (FSA)

**Other FSB levers available: 1016, 1035, 1058, 1075, 1093, 1119, 1147. FSB levers available in 630 finish only. See catalog pages for more information.

NOTE: * = default/standard



Also see online version at detex.com/hto

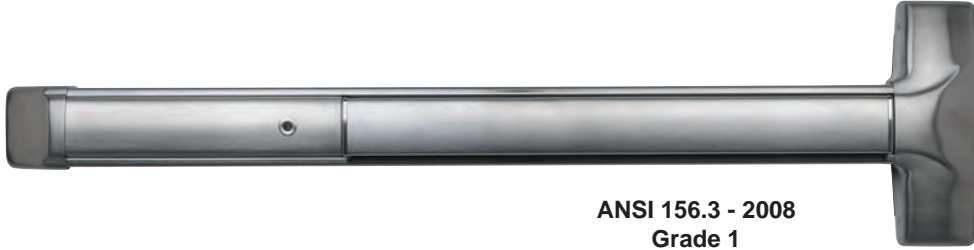
September 6, 2018



30 SERIES

Mortise Lock Exit Device

The 30 Series **mortise lock exit device** is super-heavy-duty **panic and fire exit hardware** for use on all types of single and double doors. The patented mounting plate and strike locator system ensures the easiest and most accurate installation of panic hardware available.



ANSI 156.3 - 2008
Grade 1
Type 3

Benefits

- Tough and durable design for years of trouble-free service in high-use, high-abuse environments
- Heavy duty angled end cap deflects damage away from device
- Easy retrofit to other manufacturers
- Minimal door prep saves time and money
- Outside trims are easily changed or re-keyed without removing device from door
- Fast and easy installation saves time and money
- Patented mounting plate and strike locator replaces paper templates

Features

- 3/4" Projection Stainless Steel latch bolt
- Anti-friction, deadlocking, latch bolt
- All exposed surfaces are finished over stainless steel with PVD, an environmentally-friendly finishing process
- 1/8 turn dogging
- Non-handed, field sizeable

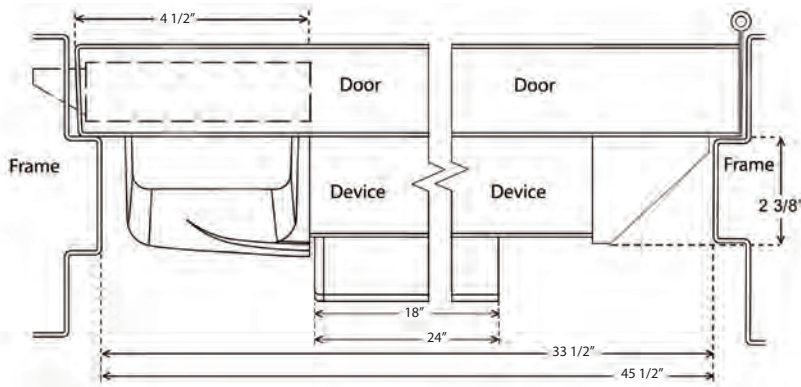
Mechanical Options

- F - 3-Hour Fire Rated
 - AM - Anti-Microbial Coating
 - CD - Cylinder Dogging
 - HD - Hex Dogging (Std.)
 - LD - Less Dogging
 - 90 ANSI Strike (Std.)
 - 91 ANSI Flat Lip Strike
 - 92 Double Door Short Open Back Strike
 - 93 - Double Door Long Open Back Strike
 - 24 - Fits 24" Door Width
 - 30 - Fits 30" Door Width
 - 36 - Fits 36" Door Width (Std.)
 - 48 - Fits 48" Door Width
 - EC1 - Heavy duty angled end cap (Std.)
 - EC2 - Flush end cap
- For full list of available mechanical options, see 30 Series How To Order page

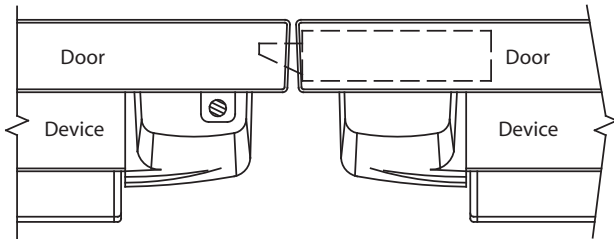
Electrical Options

- Exit Alarm (EA)
 - Electric Dogging (ED)
 - Electric Latch Retraction (ER)
 - Delayed Egress Self-Contained (EE)
 - Delayed Egress with Latch Retraction (EE ER)
 - Request to Exit (EX)
 - Request to Exit for High Voltage (EXV)
- Refer to Electrified Options section for more information

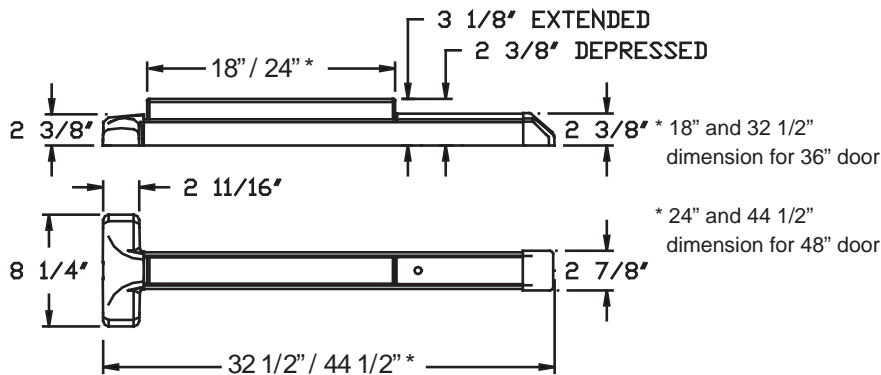
Single Door



Double Door with Mortise and Vertical Rod



Dimensions



Listings and Approvals



UL Listed Panic Hardware



UL Listed Fire Exit Hardware for 3 hours, maximum 4'x10' single doors and 8'x10' pairs of doors combined with Surface Vertical Rod



Meets ADA requirements



ANSI/BHMA certified A156.3



UL 10B/UL 10C for positive pressure



Meets NFPA 80 & 101 for Life Safety



California State Fire Marshall

For detailed fire listings, visit www.detex.com/PROVEN

Cancer & Reproductive Harm - www.detex.com/prop65

Accessories

- SN1 - Sex Nut Kit (2 per package)
- GB16 - Glass Bead Kit
- KS - Key Stop - key removed only when armed

Technical Information

- Door Types - Wood, Hollow Metal, Fiberglass or Aluminum
- Door Thickness - Fits standard 1-3/4" - 2-1/4" doors (for other door thicknesses contact factory)
- Minimum Stile - 4-3/4"
- Machine and Self-Drilling Screws (Std.)
- Optional Sex Nuts for wood or composite doors
- Security Torx screws available

Finishes

605 / US3	Polished Brass
606 / US4	Brushed Brass
611 / US9	Polished Bronze
612 / US10	Brushed Bronze
613 / US10B	Oil Rubbed Bronze
628 / US28	Aluminum Satin
629 / US32	Polished Stainless Steel
630 / US32D	Brushed Stainless Steel
693 / SPBLK	Black, Painted
695 / SP 313	Dark Bronze, Painted

Detex Limited Warranty

10 Year Mechanical/3 Year Electrical Limited Manufacturer's Warranty

Where Trust is Built™
DETEX®
Life Safety and Security Door Hardware

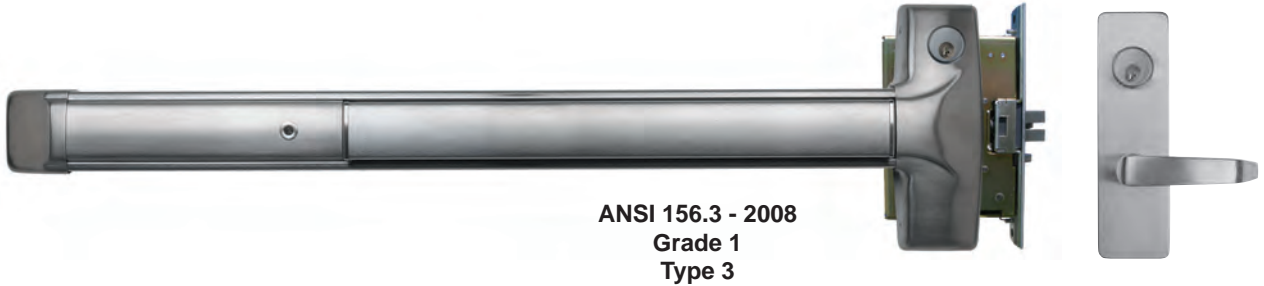
Detex Corporation
 302 Detex Drive
 New Braunfels, Texas 78130-3045 USA
 PH. (830) 629-2900
 (800) 729-3839
 FAX (800) 653-3839
<http://www.detex.com>
 USA Sales:
marketing@detex.com
 International Sales:
export@detex.com



3010DM SERIES

Mortise Lock Exit Device (Double Cylinder)

The 3010DM Series mortise lock exit device is super-heavy-duty panic and fire exit hardware for use on all types of single and double doors. The patented mounting plate and strike locator system ensures the easiest and most accurate installation of panic hardware available.



ANSI 156.3 - 2008
Grade 1
Type 3

Benefits

- Tough and durable design for years of trouble-free service in high-use, high-abuse environments
- Easy retrofit to other manufacturers
- Heavy duty angled end cap deflects damage away from device
- Minimal door prep saves time and money
- Outside trims are easily changed or re-keyed without removing device from door
- Fast and easy installation saves time and money
- Gives ability to lock outside lever trim from the inside, protecting people and property inside from outside threats
- Patented mounting plate and strike locator replaces paper templates

Features

- 3/4" Projection Stainless Steel latch bolt
- Anti-friction, deadlocking, latch bolt
- All exposed surfaces are finished over stainless steel with PVD, an environmentally-friendly finishing process
- 1/8 turn hex or cylinder dogging
- Handed, field sizeable

Mechanical Options

- F - 3-Hour Fire Rated
- AM - Anti-Microbial Coating
- CD - Cylinder Dogging
- HD - Hex Dogging (Std.)
- LD - Less Dogging
- 90 ANSI Strike (Std.)
- 91 ANSI Flat Lip Strike
- 92 Double Door Short Open Back Strike
- 93 - Double Door Long Open Back Strike
- 24 - Fits 24" Door Width
- 30 - Fits 30" Door Width
- 36 - Fits 36" Door Width (Std.)
- 48 - Fits 48" Door Width
- SLR - Silencer
- EC1 - Heavy duty angled end cap (Std.)
- EC2 - Flush end cap

For full list of available mechanical options, see 30 Series How To Order page

Electrical Options

- Exit Alarm (EA)
- Electric Dogging (ED)
- Electric Latch Retraction (ER)
- Request to Exit (EX)
- Request to Exit for High Voltage (EXV)

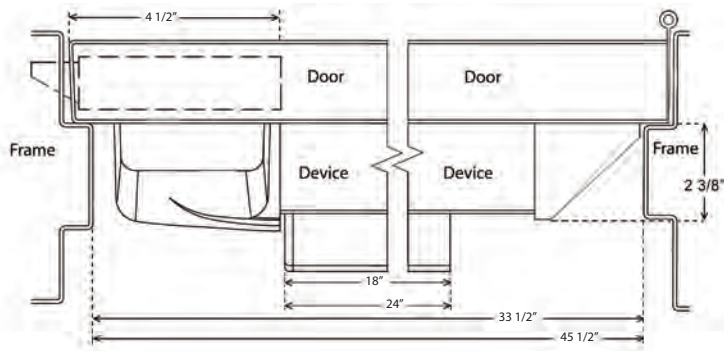
Refer to Electrified Options section for more information

Accessories

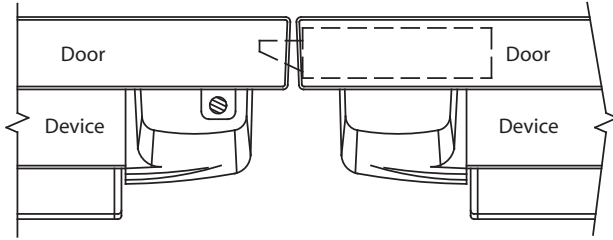
- SN1 - Sex Nut Kit (2 per package)
- GB16 - Glass Bead Kit



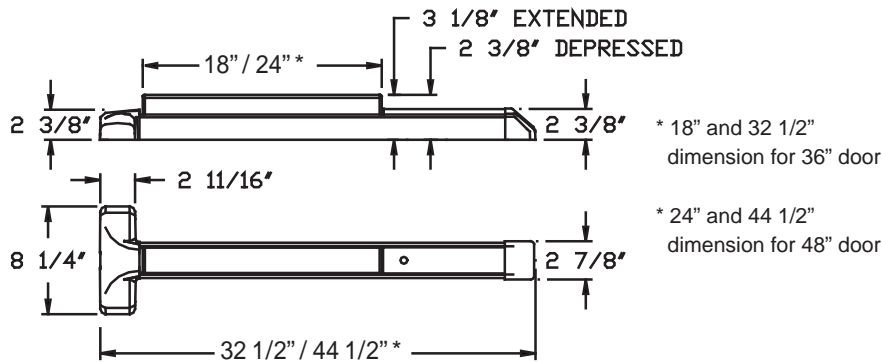
Single Door



Double Door with Mortise and Vertical Rod



Dimensions



Technical Information

- Door Types - Wood, Hollow Metal, Fiberglass or Aluminum
- Door Thickness - Fits standard 1-3/4" - 2-1/4" doors (for other door thicknesses contact factory)
- Minimum Stile - 4-3/4"
- Machine and Self-Drilling Screws (Std.)
- Optional Sex Nuts for wood or composite doors
- Security Torx screws available

Finishes

605 / US3	Polished Brass
606 / US4	Brushed Brass
611 / US9	Polished Bronze
612 / US10	Brushed Bronze
613 / US10B	Oil Rubbed Bronze
628 / US28	Aluminum Satin
629 / US32	Polished Stainless Steel
630 / US32D	Brushed Stainless Steel
693 / SPBLK	Black, Painted
695 / SP 313	Dark Bronze, Painted

Detex Limited Warranty

10 Year Mechanical/3 Year Electrical Limited Manufacturer's Warranty

Listings and Approvals



UL Listed Panic Hardware



UL 10B/UL 10C for positive pressure



UL Listed Fire Exit Hardware for 3 hours, maximum 4'x10' single doors and 8'x10' pairs of doors combined with Surface Vertical Rod



Meets NFPA 80 & 101 for Life Safety



Meets ADA requirements



California State Fire Marshal



ANSI/BHMA certified A156.3

For detailed fire listings, visit www.detex.com/PROVEN

Cancer & Reproductive Harm - www.detex.com/prop65

Where Trust is Built™
DETEX®
Life Safety and Security Door Hardware

Detex Corporation
 302 Detex Drive
 New Braunfels, Texas 78130-3045 USA
 PH. (830) 629-2900
 (800) 729-3839
 FAX (800) 653-3839
<http://www.detex.com>
 USA Sales:
marketing@detex.com
 International Sales:
export@detex.com

ADVANTEX® 40 SERIES (NARROW RIM)

RATING

For no rating, leave blank
H = Hurricane
F = Fire Rated (Less/No Dogging Only)
FB = Hurricane and Fire Rated

OUTSIDE TRIM / DEVICE FINISH

605 = Polished brass (PVD)
606 = Brushed brass (PVD)
611 = Polished bronze (PVD)
612 = Brushed bronze (PVD)
613 = Oil rubbed bronze
625 = Polished chrome
626 = Brushed chrome (std. on lever trims)
628 = Aluminum, powder coated (device only)
629 = Polished stainless steel
630 = Brushed stainless steel (std. on pull trims & device)
693 = Black, powder coated
695 = Dark bronze, powder coated

KNURLING

For no knurling, leave blank
KN = Knurled (lever trim only)

SERIES TYPE

40 = Rim device, narrow stile
40xW = Weatherized Rim device, narrow stile (non-electrified)

DOGGING FUNCTION

LD = Less/No dogging
HD = Hex key dogging
CD = Cylinder key dogging

PRE-INSTALLED CYLINDERS

If cylinders provided by others, leave blank
MC65 = Mortise Cylinder(s) 6pin/Keyed 5
IC7 = Mortise Cylinder(s) SFIC housing
IK7 = Mortise Cylinder(s) InstaKey housing
RC65 = Rim Cylinder(s) 6pin/Keyed 5
IC7R = Rim Cylinder(s) SFIC housing
IK7R = Rim Cylinder(s) InstaKey housing

ENDCAP

EC1 = Ramped endcap*
EC2 = Flush endcap (std. on all 628/693/695 finishes)

STRIKES

98 = Semi-Mortise*
99 = Surface

ANTIMICROBIAL

For no coating, leave blank
AM = Antimicrobial Coating

POWER TRANSFERS

For no power transfers, leave blank
FC3 = 3' Flex Conduit
FC10 = 10' Flex Conduit
FC3W = 3' Weatherized Flex Conduit
FC10W = 10' Weatherized Flex Conduit
PT5 = Power Transfer
EH8 = Electric Hinge

FASTENERS

For standard machine, wood & self-drilling screws, leave blank
SN1 = Sex Nuts/Throughbolts (Hurricane rated hardware includes sex nuts for latch bolt)

KEYSTOP

For no keystone, leave blank
KS = Key Stop (Available with EA, EBxW, EE, EEXER, EI functions)

DOOR HANDING

RHR = Right hand reverse*
LHR = Left hand reverse

DOOR WIDTH

24" wide door
30" wide door
36" wide door (3')*
48" wide door (4')

SILENCER

For standard pushpad, leave blank
SLR = Silent Latch & Pushpad

OUTSIDE TRIM FUNCTION

For no outside trim, leave blank
01CN = Exit only, blank plate
02CN = Dummy pull trim
03CN = Key retracts latch; pull trim
03WS = Key retracts latch; plate - short
01DN = Blank escutcheon; Narrow lever handle (handed) (J, Q, S, T, U or FSB1076 lever)**
02DN = Dummy lever trim
08DN = Active lever, key locks / unlocks lever; Narrow lever handle (handed) (J, Q, S, T, U or FSB1076 lever**) (classroom)
09DN = Lever trim active by key, locked when key removed; Narrow lever handle (handed) (J, Q, S, T, U or FSB1076 lever**) (storeroom)
14DN = Active lever, no key cylinder; Narrow lever handle (handed) (J, Q, S, T, U or FSB1076 lever**) (passage)
CBK = Cylinder bracket kit, 03 only, plate & pull handle by others required
EU2W = Electric Unlock Trim (24VDC & Fail Secure [FSE] Std.) - Specify handing (not field reversible). For 12VDC specify 12VDC. For Fail Safe specify FSA.

Fire-rated trims must be fail safe (FSA)

For EU (Electric Unlock Trim), see Outside Trim Function -

**Other FSB levers available: 1016, 1035, 1058, 1075, 1093, 1119, 1147. FSB levers available in 630 finish only. See catalog pages for more information.

NOTE: * = default/standard

Also see online version at detex.com/hto

ELECTRIFIED FUNCTION

For no electrified function, leave blank

Standard

Select Arming Time and Auto Rearm

EA = Elec. Alarm
EA EX = Exit Alarm with Request To Exit (Signal) Switch
EA EXV = Exit Alarm with Request To Exit (3Amp Current) Switch
ED = Elec. Dogging
EX = Request To Exit (Signal) Switch
EXV = Request To Exit (3Amp Current) Switch
EI = Elec. Integration (logic controller required)
ES = Elec. Switching (dead latch & OKC switches)

Delayed Egress

Select Arming Delay, Delayed Egress Time and Silent Arming
EE = Delayed Egress

Power Supply for Delayed Egress

Comes standard with 90-800 power supply
Single = (1) 90-800 w/o bat backup
Pair = (1) 90-800 w/o bat backup

SWITCHING

For no switching, leave blank
LX = Latch Bolt Signal Switch
LXV = Latch Bolt 3Amp Current Switch

Weatherized Alarms

Select Arming Time and Auto Rearm

EB W = Elec. Battery Operated Exit Alarm Weatherized
EB EX W = Elec. Battery Operated Exit Alarm Weatherized with Request To Exit (Signal) Switch
EB EXV W = Elec. Battery Operated Exit Alarm Weatherized with Request To Exit (3Amp Current) Switch

Latch Retraction

ER EX = Elec. Latch Retraction with Request To Exit Switch (silencer standard)
ER EX W = Elec. Latch Retraction Weatherized with Request To Exit Switch (silencer standard)

Power Supply / Controller for Latch Retraction Only (ER EX & ER EX W)

Order/Sold Separately

Single = 81-800

Pair = 82-800

2 Independent Singles = 83-800

Weatherized Others

ER EX W = Elec. Latch Retraction Weatherized with Request To Exit Switch (silencer standard)
EX W = Request To Exit (Signal) Switch Weatherized
EXV W = Request To Exit (3Amp Current) Switch Weatherized
WDE = Weatherized Delayed Egress (see EasyKits)

Delayed Egress/Latch Retraction

EE ER = Delayed Egress with Elec. Latch Retraction (silencer standard)
EE ER ULC = Delayed Egress with Elec. Latch Retraction UL Canada (silencer standard)

Required Power Supply / Controller for Delayed Egress with Latch Retraction (EE ER)

Order/Sold Separately

Single EE ER = 84-800

Pair of EE ER = 85-800

One EE ER and One EE = 85-800 EE

One EE ER and One ER = 85-800 ER



Detex products can expose you to chemicals including Chromium (hexavalent compounds) and Lead, which are known to the State of California to cause cancer and birth defects or other reproductive harm. For more information go to www.detex.com/prop65



40 SERIES

Narrow Stile Rim Exit Device

The 40 Series **rim exit device** is super-heavy-duty **panic** and **fire exit hardware** for use on all types of narrow stile single and double doors with mullions. The patented mounting plate and strike locator system ensures the easiest and most accurate installation of panic hardware available.



ANSI 156.3 - 2008
Grade 1
Type 4

Benefits

- Tough and durable design for years of trouble-free service in high-use, high-abuse environments
- Patented mounting plate and strike locator replaces paper templates
- Minimal door prep saves time and money
- Heavy duty angled end cap deflects damage away from device
- Outside trims are easily changed or re-keyed without removing device from door
- Fast and easy installation saves time and money

Features

- Stainless steel deadlocking, Pullman-type latch bolt
- Non-handed
- All exposed surfaces are finished over stainless steel with PVD, an environmentally-friendly finishing process
- 1/8 turn hex or cylinder dogging
- Field sizeable

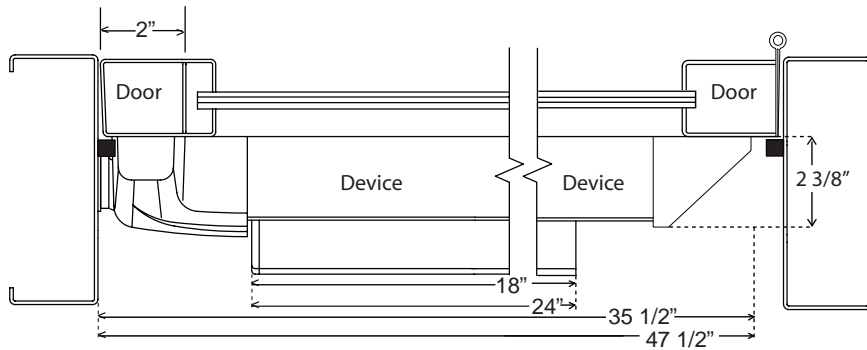
Mechanical Options

- F - 3-Hour Fire Rated
 - H - Hurricane Rated
 - AM - Anti-Microbial Coating
 - CD - Cylinder Dogging
 - HD - Hex Dogging (Std.)
 - CD - Cylinder Dogging
 - LD - Less Dogging
 - 98 - Semi Mortise Strike (Std.)
 - 99 - Surface Strike
 - 24 - Fits 24" Door Width
 - 30 - Fits 30" Door Width
 - 36 - Fits 36" Door Width (Std.)
 - 48 - Fits 48" Door Width
 - EC1 - Heavy duty angled end cap (Std.)
 - EC2 - Flush end cap
- For full list of available mechanical options, see 40 Series How To Order page

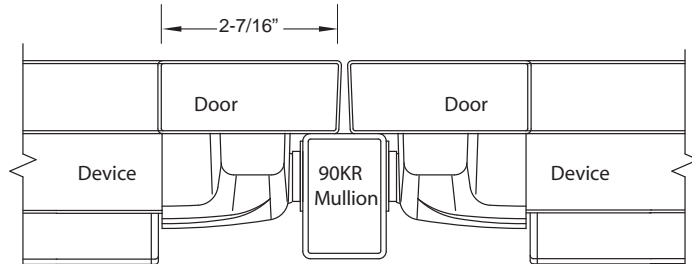
Electrical Options

- Exit Alarm (EA)
 - Electric Dogging (ED)
 - Electric Integration (EI)
 - Electric Latch Retraction (ER)
 - Delayed Egress - Self Contained (EE)
 - Delayed Egress with Latch Retraction (EE ER)
 - Electric Unlock (EU2W)
 - Latch Bolt Signaling (LX)
 - Latch Bolt Signaling for High Voltage (LXV)
 - Electric Switching (ES)
 - Request to Exit (EX)
 - Request to Exit for High Voltage (EXV)
- Refer to Electrified Options section for more information

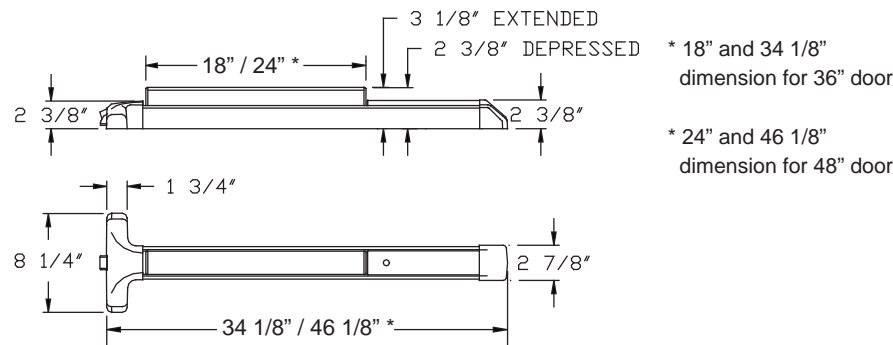
Single Door



Double Door with 90KR Mullion



Dimensions



Listings and Approvals



UL Listed Panic Hardware



ULC 97, Standard 7-2 and UL10B/UL10C for positive pressure



UL Listed Fire Exit Hardware for 3 hours, maximum 4'x10' single doors and pairs of 4'x8' with F90KR keyed removable mullion



Meets NFPA 80 & 101 for Life Safety



Meets ADA requirements



State of Florida Approval



ANSI/BHMA certified A156.3



California State Fire Marshall

For detailed windstorm and fire listings, visit www.detex.com/PROVEN

Cancer & Reproductive Harm - www.detex.com/prop65

September 12, 2018

Accessories

- GB2 - Glass Bead Kit
- SN1 - Sex Nut Kit (2 per package)
- SSK - Security Torx Screw Kit
- Trim Functions (see Outside Trims)

Technical Information

- Door Types - Wood, Hollow Metal, Fiberglass or Aluminum
- Door Thickness - Fits standard 1-3/4" - 2-1/4" doors (for other door thicknesses contact factory)
- Minimum Stile - 2" with standard 98 strike; 2-1/2" with optional 99 strike
- Fasteners - Machine and Self-Drilling Screws standard

Finishes

605 / US3	Polished Brass
606 / US4	Brushed Brass
611 / US9	Polished Bronze
612 / US10	Brushed Bronze
613 / US10B	Oil Rubbed Bronze
628 / US28	Aluminum Satin
629 / US32	Polished Stainless Steel
630 / US32D	Brushed Stainless Steel
693 / SPBLK	Black, Painted
695 / SP 313	Dark Bronze, Painted

Detex Limited Warranty

10 Year Mechanical/3 year Electrical Limited Manufacturer's Warranty

Where Trust is Built™
DETEX®
Life Safety and Security Door Hardware

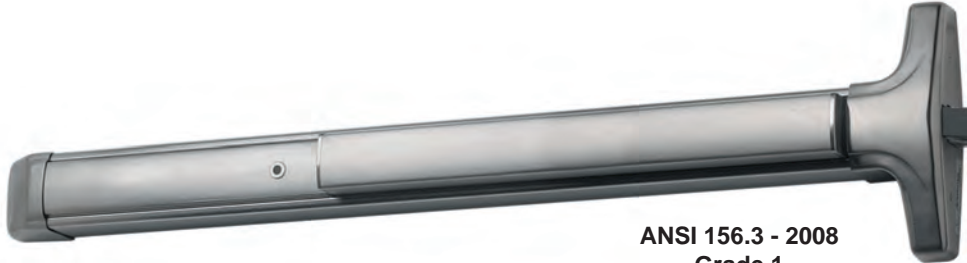
Detex Corporation
 302 Detex Drive
 New Braunfels, Texas 78130-3045 USA
 PH. (830) 629-2900
 (800) 729-3839
 FAX (800) 653-3839
<http://www.detex.com>
 USA Sales:
marketing@detex.com
 International Sales:
export@detex.com



40xW SERIES

Weatherized Narrow Stile Rim Exit Device

The 40xW Series **weatherized rim exit device** is super-heavy-duty **panic** and **fire exit hardware** for use on all types of narrow stile single and double doors with mullions that are or may be exposed directly to the weather. The patented mounting plate and strike locator system ensures the easiest and most accurate installation of panic hardware available. In addition to listing as UL panic and fire exit hardware device, this device conforms to UL 1034-34 Temperature Section 34, UL1034-54 Dust Section 54, MIL-STD 810F, Method 506.4 (driving rain test); and MIL-STD 810F, Method 509.4 (salt fog test).



ANSI 156.3 - 2008
Grade 1
Type 4



Benefits

- Tough and durable design for years of trouble-free service in high-use, high-abuse inclement weather environments
- Patented mounting plate and strike locator replaces paper templates
- Outside trims are easily changed or re-keyed without removing device from door
- Fast and easy installation saves time and money
- Heavy duty angled end cap deflects damage away from device
- Minimal door prep saves time and money

Features

- Stainless steel deadlocking, Pullman-type latch bolt
- All exposed surfaces are finished over stainless steel with PVD, an environmentally-friendly finishing process
- Assembled using components resistant to temperature, dust, driving rain and salt fog
- Field sizeable
- Non-handed
- Fasteners made of stainless steel 316 material
- 1/8 turn hex or cylinder dogging

Mechanical Options

- H - Hurricane Rated
- 98 - Semi Mortise Strike (Std.)
- 30 - Fits 30" Door Width
- AM - Anti-Microbial Coating
- 99 - Surface Strike
- 36 - Fits 36" Door Width (Std.)
- CD - Cylinder Dogging
- EC1 - Heavy duty angled end cap (Std.)
- 48 - Fits 48" Door Width
- HD - Hex Dogging (Std.)
- EC2 - Flush end cap
- For full list of available mechanical options, see 40 Series How To Order page
- CD - Cylinder Dogging
- 24 - Fits 24" Door Width
- LD - Less Dogging

Electrical Options

- Electric Unlock (EU2W)
- Request to Exit Weatherized (EX W)
- Request to Exit Weatherized for High Voltage (EXV W)

Refer to Electrified Options section for more information

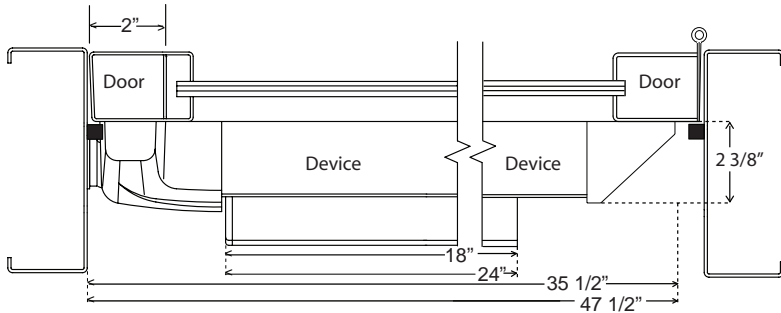
Accessories

- GB2 - Glass Bead Kit
- Trim Functions (see Outside Trims)
- SN1 - Sex Nut Kit (2 per package)
- GTPLKIT - Adjustable Gate Plate
- SSK - Security Torx Screw Kit

Technical Information

- Door Thickness - Fits standard 1-3/4" - 2-1/4" doors (for other door thicknesses contact factory)
- Minimum Stile - 2" with standard 98 strike; 2-1/2" with optional 99 strike
- Fasteners - Machine and Self-Drilling Screws standard stainless steel 316 material
- Door Types - Wood, Hollow Metal, Fiberglass or Aluminum

Single Door

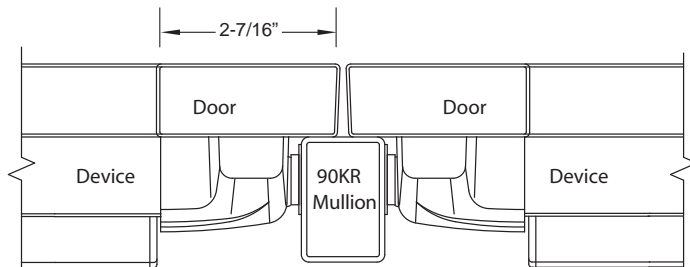


Finishes

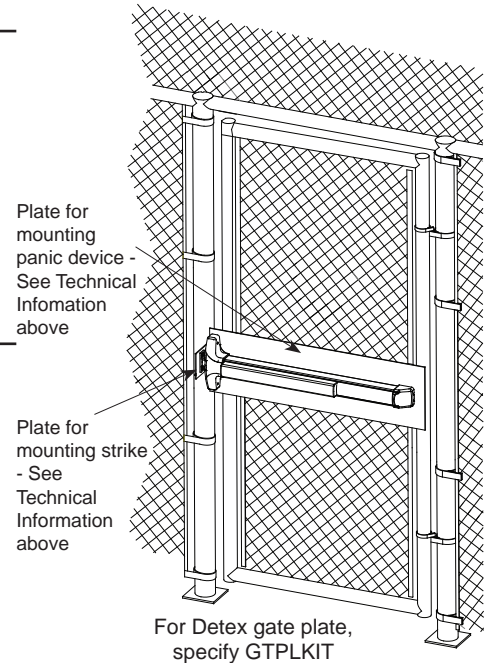
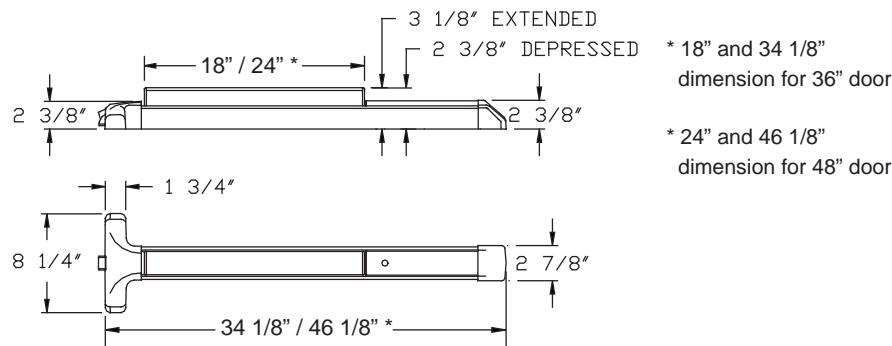
605 / US3	Polished Brass
606 / US4	Brushed Brass
611 / US9	Polished Bronze
612 / US10	Brushed Bronze
613 / US10B	Oil Rubbed Bronze
628 / US28	Aluminum Satin
629 / US32	Polished Stainless Steel
630 / US32D	Brushed Stainless Steel
693 / SPBLK	Black, Painted
695 / SP 313	Dark Bronze, Painted

Single Gate

Double Door with 90KR Mullion



Dimensions



Detex Limited Warranty

10 Year Mechanical/3 year Electrical Limited Manufacturer's Warranty

Listings and Approvals



UL Listed Panic Hardware
UL1034-34 Temperature Section 34 [Temperature Range -31°F (-35° C) to 150° F (+66° C)]

UL1034-54 Dust Section 54

MIL-STD 810F (G), Method 509.4 (Salt Fog Test)

MIL-STD 810F (G), Method 506.4 (Driving Rain), Procedure 1



Meets ADA requirements



ANSI/BHMA certified A156.3



State of Florida Approval

Texas Department of Insurance

Where Trust is Built™
DETEX®
Life Safety and Security Door Hardware

Detex Corporation
302 Detex Drive
New Braunfels, Texas 78130-3045 USA
PH. (830) 629-2900
(800) 729-3839
FAX (800) 653-3839
<http://www.detex.com>
USA Sales:
marketing@detex.com
International Sales:
export@detex.com

For detailed windstorm listings, visit www.detex.com/PROVEN



Cancer & Reproductive Harm - www.detex.com/prop65

ADVANTEX® 50/51 SERIES (NARROW SURFACE VERTICAL ROD)

RATING

For no rating, leave blank

H = Hurricane Rated

F = Fire Rated (Less/No Dogging Only) - Fire pin included for F51

FH = Hurricane and Fire Rated

KNURLING

For no knurling, leave blank

KN = Knurled (lever trim only)

SERIES TYPE

50 = SVR, narrow stile

50xW = Weatherized SVR, narrow stile (non-electrified)

51 = SVR, top rod only, narrow stile

51xW = Weatherized SVR, top rod only, narrow stile (non-electrified)

OUTSIDE TRIM / DEVICE FINISH

605 = Polished brass (PVD)

606 = Brushed brass (PVD)

611 = Polished bronze (PVD)

612 = Brushed bronze (PVD)

613 = Oil rubbed bronze

625 = Polished chrome

626 = Brushed chrome (std. on lever trims)

628 = Aluminum, powder coated (device only)

629 = Polished stainless steel

630 = Brushed stainless steel

(std. on pull trims & device)

693 = Black, powder coated

695 = Dark bronze, powder coated

DOGGING FUNCTION

LD = Less/No dogging

HD = Hex key dogging

CD = Cylinder key dogging

PRE-INSTALLED CYLINDERS

If cylinders provided by others, leave blank

MC65 = Mortise Cylinder(s) 6pin/Keyed 5

IC7 = Mortise Cylinder(s) SFIC housing

IK7 = Mortise Cylinder(s) InstaKey housing

RC65 = Rim Cylinder(s) 6pin/Keyed 5

IC7R = Rim Cylinder(s) SFIC housing

IK7R = Rim Cylinder(s) InstaKey housing

ENDCAP

EC1 = Ramped endcap*

EC2 = Flush endcap (std. on all 628/693/695 finishes)

ANTIMICROBIAL

For no coating, leave blank

AM = Antimicrobial Coating

POWER TRANSFERS

For no power transfers, leave blank

FC3 = 3' Flex Conduit

FC10 = 10' Flex Conduit

FC3W = 3' Weatherized Flex Conduit

FC10W = 10' Weatherized Flex Conduit

PT5 = Power Transfer

EH8 = Electric Hinge

FASTENERS

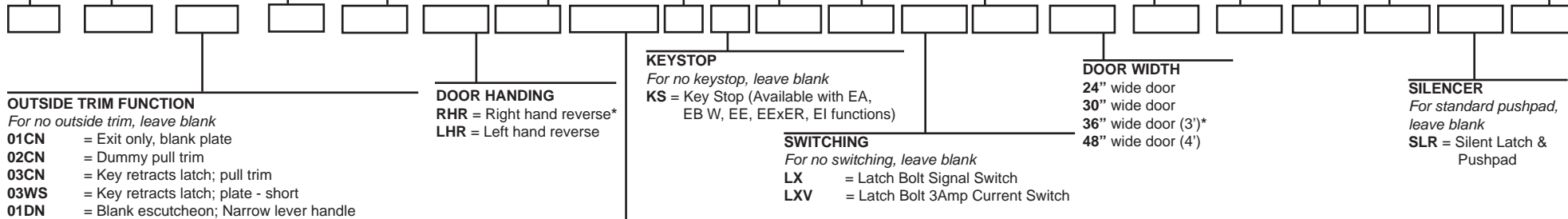
For standard machine, wood & self-drilling screws, leave blank

SN1 = Sex Nuts/Throughbolts

SILENCER

For standard pushpad, leave blank

SLR = Silent Latch & Pushpad



OUTSIDE TRIM FUNCTION

For no outside trim, leave blank

01CN = Exit only, blank plate

02CN = Dummy pull trim

03CN = Key retracts latch; pull trim

03WS = Key retracts latch; plate - short

01DN = Blank escutcheon; Narrow lever handle (handed) (J, Q, S, T, U or FSB1076 lever)**

02DN = Dummy lever trim

08DN = Active lever, key locks / unlocks lever; Narrow lever handle (handed) (J, Q, S, T, U or FSB1076 lever**) (classroom)

09DN = Lever trim active by key, locked when key removed; Narrow lever handle (handed) (J, Q, S, T, U or FSB1076 lever**) (storeroom)

14DN = Active lever, no key cylinder; Narrow lever handle (handed) (J, Q, S, T, U or FSB1076 lever**) (passage)

CBK = Cylinder bracket kit, 03 only, plate & pull handle by others required

EU2W = Electric Unlock Trim (24VDC & Fail Secure [FSE] Std.) - Specify handing (not field reversible). For 12VDC specify 12VDC. For Fail Safe specify FSA.

DOOR HANDING

RHR = Right hand reverse*

LHR = Left hand reverse

KEYSTOP

For no keystone, leave blank

KS = Key Stop (Available with EA, EB W, EE, EExER, EI functions)

SWITCHING

For no switching, leave blank

LX = Latch Bolt Signal Switch

LXV = Latch Bolt 3Amp Current Switch

ELECTRIFIED FUNCTION

For no electrified function, leave blank

Standard

Select Arming Time and Auto Rearm

EA = Hardwired Elec. Alarm

EA EX = Exit Alarm with Request To Exit

(Signal) Switch

EA EXV = Exit Alarm with Request To Exit

(3Amp Current) Switch

ED = Elec. Dogging

EX = Request To Exit (Signal) Switch

EXV = Request To Exit (3Amp Current) Switch

Delayed Egress

Select Arming Delay, Delayed Egress

Time and Silent Arming

EE = Delayed Egress

Power Supply for Delayed Egress

Comes standard with 90-800 power supply

Single = (1) 90-800 w/o bat backup

Pair = (1) 90-800 w/o bat backup

Weatherized Alarms

Select Arming Time and Auto Rearm

EB W = Elec. Battery Operated Exit

Alarm Weatherized

EB EX W = Elec. Battery Operated Exit

Alarm Weatherized with

Request To Exit (Signal) Switch

EB EXV W = Elec. Battery Operated Exit

Alarm Weatherized with

Request To Exit (3Amp Current) Switch

Latch Retraction

ER EX = Elec. Latch Retraction with Request To

Exit Switch (silencer standard)

ER EX W = Elec. Latch Retraction Weatherized

with Request To Exit Switch

(silencer standard)

Power Supply / Controller for Latch

Retraction Only (ER EX & ER EX W)

Order/Sold Separately

Single = 81-800

Pair = 82-800

2 Independent Singles = 83-800

Weatherized Others

ER EX W = Elec. Latch Retraction

Weatherized with Request To Exit

Switch (silencer standard)

EX W = Request To Exit (Signal)

Switch Weatherized

EXV W = Request To Exit (3Amp Current)

Switch Weatherized

WDE = Weatherized Delayed

Egress (see EasyKits)

Delayed Egress/Latch Retraction

EE ER = Delayed Egress with Elec.

Latch Retraction

(silencer standard)

EE ER ULC = Delayed Egress with Elec.

Latch Retraction UL Canada

(silencer standard)

Required Power Supply / Controller for Delayed

Egress with Latch Retraction (EE ER)

Order/Sold Separately

Single EE ER = 84-800

Pair of EE ER = 85-800

One EE ER and One EE = 85-800 EE

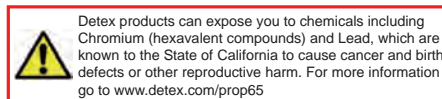
One EE ER and One ER = 85-800 ER

Fire-rated trims must be fail safe (FSA)

**Other FSB levers available: 1016, 1035, 1058, 1075, 1093, 1119, 1147. FSB levers available in 630 finish only. See catalog pages for more information.

NOTE: * = default/standard

Also see online version at detex.com/hto



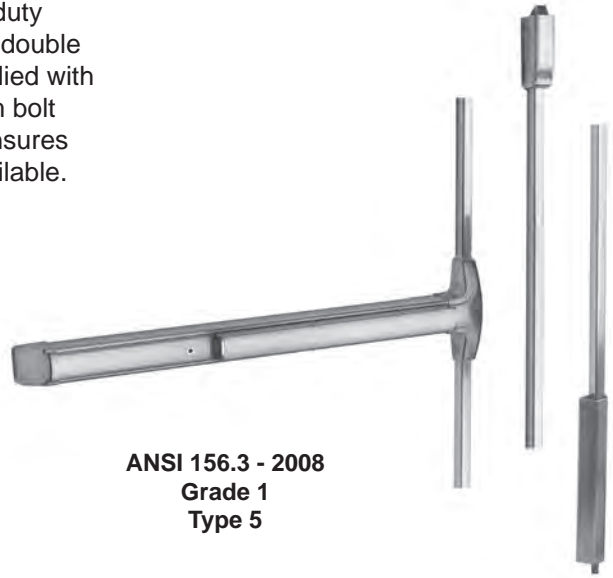
March 4, 2019



50 SERIES

Narrow Stile Surface Vertical Rod Device

The 50 Series **surface vertical rod exit device** is super-heavy-duty **panic** and **fire exit hardware** for use on all types of narrow stile double doors without a mullion. All 50 series SVR exit devices are supplied with top and bottom rod covers and an ADA compliant ramped bottom bolt cover. The patented mounting plate and strike locator system ensures the easiest and most accurate installation of panic hardware available.



ANSI 156.3 - 2008
Grade 1
Type 5

Benefits

- Tough and durable design for years of trouble-free service in high-use, high-abuse environments
- Outside trims are easily changed or rekeyed without removing device from door
- Minimal door prep saves time and money
- Heavy duty angled end cap deflects damage away from device
- Fast and easy installation saves time and money
- Security enhanced by stainless steel rod covers, standard
- Patented mounting plate and strike locator replaces paper templates

Features

- Stainless steel deadlocking top latch
- Hardened steel bottom drop bolt with dust proof strike
- ADA ramped bottom bolt cover
- 1/8 turn hex or cylinder dogging
- Handed - field reversible
- Field sizeable
- All exposed surfaces are finished over stainless steel with PVD, an environmentally friendly finishing process

Mechanical Options

- F - 3-Hour Fire Rated
 - AM - Anti-Microbial Coating
 - HD - Hex Dogging (Std.)
 - CD - Cylinder Dogging
 - LD - Less Dogging
 - EC1 - Heavy duty angled end cap (Std.)
 - EC2 - Flush end cap
 - 24 - Fits 24" Door Width
 - 30 - Fits 30" Door Width
 - 36 - Fits 36" Door Width (Std.)
 - 48 - Fits 48" Door Width
 - 84 - 84" Door Height (Std.)
 - 96 - 85" to 96" Door Height
 - 120 - 97" to 120" Door Height
- For full list of available mechanical options, see 50 Series How To Order page

Electrical Options

- Exit Alarm (EA)
 - Electric Dogging (ED)
 - Electric Latch Retraction (ER)
 - Delayed Egress - Self Contained (EE)
 - Delayed Egress with Latch Retraction (EE ER)
 - Electric Unlock (EU2W)
 - Request to Exit (EX)
 - Request to Exit for High Voltage (EXV)
- Refer to Electrified Options section for more information

Accessories

- GB5 - Glass Bead Kit - 7' Door Height (84")
- GB9 - Glass Bead Kit - 8' Door Height (85" - 96")
- GB13 - Glass Bead Kit - 10' Door Height (97" - 120")
- SN1 - Sex Nut Kit (2 per package)
- SSK- Security Torx Screw Kit
- Trim Functions (see Outside Trims)

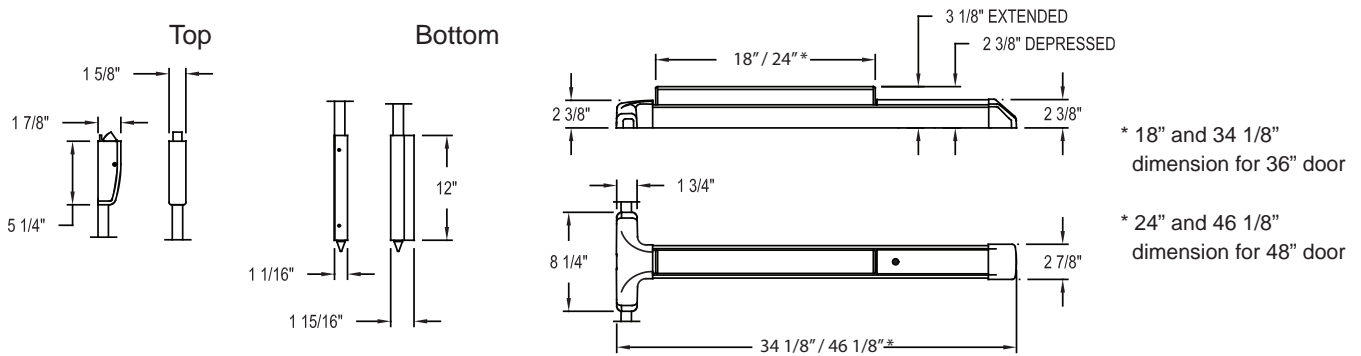
Technical Information

- Minimum Stile - 2" with standard 96 strike
- Door Types - Wood, Hollow Metal, Fiberglass or Aluminum
- Door Thickness - Fits standard 1-3/4" - 2-1/4" doors (for other door thicknesses contact factory)
- Fasteners - Machine and Self-Drilling Screws standard

Finishes

605 / US3 Polished Brass	628 / US28 Aluminum Satin	693 / SPBLK Black, Painted
606 / US4 Brushed Brass	629 / US32 Polished Stainless Steel	695 / SP 313 Dark Bronze, Painted
611 / US9 Polished Bronze	630 / US32D Brushed Stainless Steel	
612 / US10 Brushed Bronze		
613 / US10B Oil Rubbed Bronze		

Dimensions



Listings and Approvals



UL Listed Panic Hardware



ULC 97, Standard 7-2 and UL10B/UL10C for positive pressure



UL Listed Fire Exit Hardware for 3 hours, maximum 4'x10' single doors and 8'x10' pairs of doors



Meets NFPA 80 & 101 for Life Safety



Meets ADA requirements



State of Florida Approval

Texas Department of Insurance



ANSI/BHMA certified A156.3



California State Fire Marshall

Detex Limited Warranty

10 Year Mechanical/3 year Electrical Limited Manufacturer's Warranty



For detailed windstorm and fire listings, visit www.detex.com/PROVEN

Detex Corporation
 302 Detex Drive
 New Braunfels, Texas 78130-3045 USA
 PH. (830) 629-2900
 (800) 729-3839
 FAX (800) 653-3839
<http://www.detex.com>
 USA Sales:
marketing@detex.com
 International Sales:
export@detex.com

Cancer & Reproductive Harm - www.detex.com/prop65



50xW SERIES

Weatherized Narrow Stile Surface Vertical Rod Device

The 50xW Series weatherized **surface vertical rod exit device** is super-heavy-duty **panic** and **fire exit hardware** for use on all types of narrow stile double doors without a mullion. All 50xW series SVR exit devices are supplied with top and bottom rod covers and an ADA compliant ramped bottom bolt cover. The patented mounting plate and strike locator system ensures the easiest and most accurate installation of panic hardware available. In addition to listing as UL panic and fire exit hardware device, this device conforms to UL1034-34 Temperature Section 34, UL1034-54 Dust Section 54, MIL-STD 810F, Method 506.4 (driving rain test); and MIL-STD 810F, Method 509.4 (salt fog test).



ANSI 156.3 - 2008
Grade 1
Type 5

Benefits

- Tough and durable design for years of trouble-free service in high-use, high-abuse inclement weather environments
- Heavy duty angled end cap deflects damage away from device
- Minimal door prep saves time and money
- Fast and easy installation saves time and money
- Patented mounting plate and strike locator replaces paper templates
- Security enhanced by stainless steel rod covers, standard
- Outside trims are easily changed or rekeyed without removing device from door

Features

- Stainless steel deadlocking top latch
- Hardened steel bottom drop bolt with dust proof strike
- Field sizeable
- ADA ramped bottom bolt cover
- 1/8 turn hex or cylinder dogging
- All exposed surfaces are finished over stainless steel with PVD, an environmentally friendly finishing process
- Assembled using components resistant to temperature, dust, driving rain and salt fog
- Fasteners made of stainless steel 316 material
- Handed - field reversible

Mechanical Options

- F - 3-Hour Fire Rated
 - AM - Anti-Microbial Coating
 - HD - Hex Dogging (Std.)
 - CD - Cylinder Dogging
 - LD - Less Dogging
 - EC1 - Heavy duty angled end cap (Std.)
 - EC2 - Flush end cap
 - 24 - Fits 24" Door Width
 - 30 - Fits 30" Door Width
 - 36 - Fits 36" Door Width (Std.)
 - 48 - Fits 48" Door Width
 - 84 - 84" Door Height (Std.)
 - 96 - 85" to 96" Door Height
 - 120 - 97" to 120" Door Height
- For full list of available mechanical options, see 50 Series How To Order page

Electrical Options

- Electric Unlock (EU2W)
 - Request to Exit Weatherized (EX W)
 - Request to Exit Weatherized for High Voltage (EXV W)
- Refer to Electrified Options section for more information

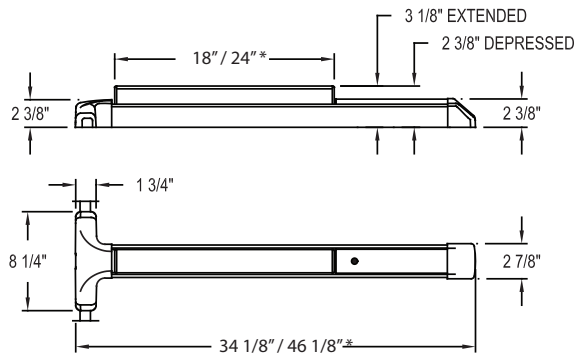
Accessories

- SSK- Security Torx Screw Kit
- GB5 - Glass Bead Kit - 7' Door Height (84")
- GB9 - Glass Bead Kit - 8' Door Height (85" - 96")
- GB13 - Glass Bead Kit - 10' Door Height (97" - 120")
- SN1 - Sex Nut Kit (2 per package)
- Trim Functions (see Outside Trims)

Technical Information

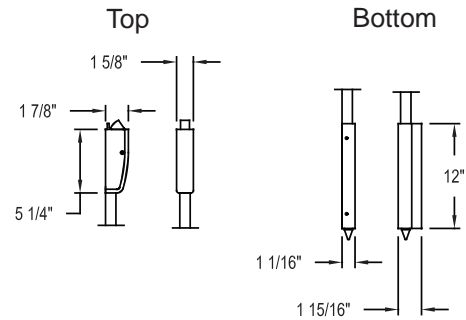
- Minimum Stile - 2" with standard 96 strike
- Door Thickness - Fits standard 1-3/4" - 2-1/4" doors (for other door thicknesses contact factory)
- Fasteners - Machine and Self-Drilling Screws standard stainless steel 316 material
- Door Types - Wood, Hollow Metal, Fiberglass or Aluminum

Dimensions

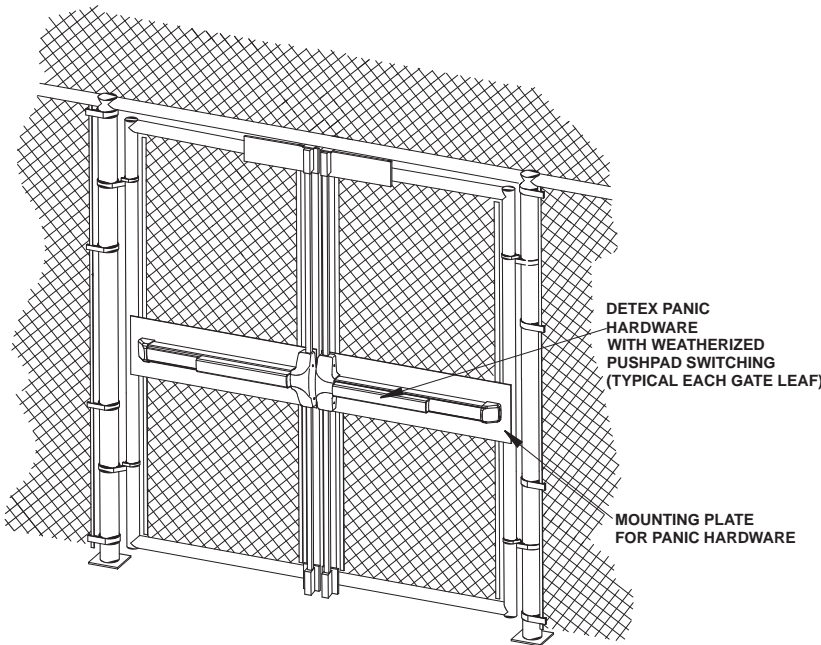


* 18" and 34 1/8" dimension for 36" door

* 24" and 46 1/8" dimension for 48" door



Double Gate Riser



Finishes

- | | |
|--------------|--------------------------|
| 605 / US3 | Polished Brass |
| 606 / US4 | Brushed Brass |
| 611 / US9 | Polished Bronze |
| 612 / US10 | Brushed Bronze |
| 613 / US10B | Oil Rubbed Bronze |
| 628 / US28 | Aluminum Satin |
| 629 / US32 | Polished Stainless Steel |
| 630 / US32D | Brushed Stainless Steel |
| 693 / SPBLK | Black, Painted |
| 695 / SP 313 | Dark Bronze, Painted |

Detex Limited Warranty

10 Year Mechanical/3 year Electrical Limited Manufacturer's Warranty

Listings and Approvals



UL Listed Panic Hardware



Meets ADA requirements



UL1034-34 Temperature Section 34 [Temperature Range -31° F (-35° C) to 150° F (+66° C)]

MIL-STD 810F (G), Method 509.4 (Salt Fog Test)



ANSI/BHMA certified A156.3

MIL-STD 810F (G), Method 506.4 (Driving Rain), Procedure 1



For detailed windstorm listings, visit www.detex.com/PROVEN

Detex Corporation
 302 Detex Drive
 New Braunfels, Texas 78130-3045 USA
 PH. (830) 629-2900
 (800) 729-3839
 FAX (800) 653-3839
<http://www.detex.com>
 USA Sales:
marketing@detex.com
 International Sales:
export@detex.com

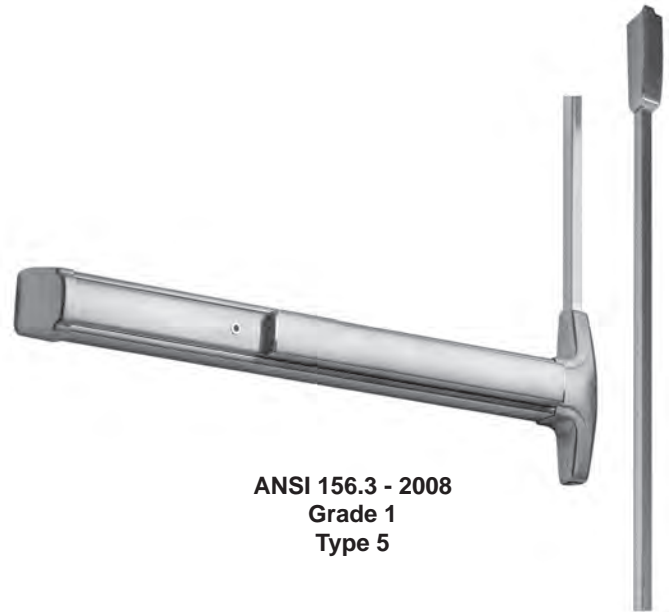
Cancer & Reproductive Harm - www.detex.com/prop65



51 SERIES

Narrow Stile Surface Vertical Top Rod Only Device

The 51 Series **surface vertical rod exit device** is super-heavy-duty **panic** and **fire exit hardware** for use on all types of narrow stile double doors without a mullion. All 51 Series Top Rod Only exit devices are supplied with a rod cover. The patented mounting plate and strike locator system ensures the easiest and most accurate installation of panic hardware available.



ANSI 156.3 - 2008
Grade 1
Type 5

Benefits

- Tough and durable design for years of trouble-free service in high-use, high-abuse environments
- Outside trims are easily changed or rekeyed without removing device from door
- Minimal door prep saves time and money
- Fast and easy installation saves time and money
- Heavy duty angled end cap deflects damage away from device
- Security enhanced by stainless steel rod covers, standard
- Patented mounting plate and strike locator replaces paper templates

Features

- Stainless steel deadlocking top latch
- 1/8 turn hex or cylinder dogging
- All exposed surfaces are finished over stainless steel with PVD, an environmentally friendly finishing process
- Handed - field reversible
- Field sizeable

Mechanical Options

- F - 3-Hour Fire Rated
 - AM - Anti-Microbial Coating
 - HD - Hex Dogging (Std.)
 - CD - Cylinder Dogging
 - LD - Less Dogging
 - EC1 - Heavy duty angled end cap (Std.)
 - EC2 - Flush end cap
 - 24 - Fits 24" Door Width
 - 30 - Fits 30" Door Width
 - 36 - Fits 36" Door Width (Std.)
 - 48 - Fits 48" Door Width
 - 84 - 84" Door Height (Std.)
 - 96 - 85" to 96" Door Height
 - 120 - 97" to 120" Door Height
- For full list of available mechanical options, see 50 Series How To Order page

Electrical Options

- Exit Alarm (EA)
 - Electric Dogging (ED)
 - Electric Latch Retraction (ER)
 - Delayed Egress - Self Contained (EE)
 - Delayed Egress with Latch Retraction (EE ER)
 - Electric Unlock (EU)
 - Request to Exit (EX)
 - Request to Exit for High Voltage (EXV)
- Refer to Electrified Options section for more information

Accessories

- GB6 - Glass Bead Kit - 7' Door Height (84")
- GB10 - Glass Bead Kit - 8' Door Height (85" - 96")
- GB14 - Glass Bead Kit - 10' Door Height (97" - 120")
- SN1 - Sex Nut Kit (2 per package)
- SSK- Security Torx Screw Kit
- Trim Functions (see Outside Trims)

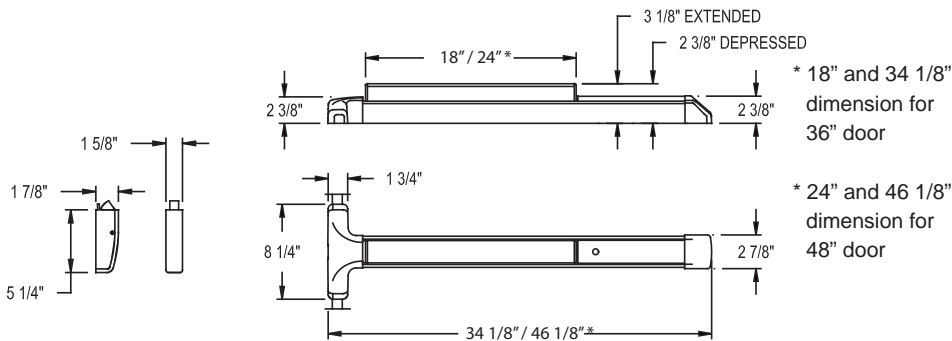
Technical Information

- Door Types - Wood, Hollow Metal, Fiberglass or Aluminum
- Door Thickness - Fits standard 1-3/4" - 2-1/4" doors (for other door thicknesses contact factory)
- Minimum Stile - 2" with standard 96 strike
- Fasteners - Machine and Self-Drilling Screws standard

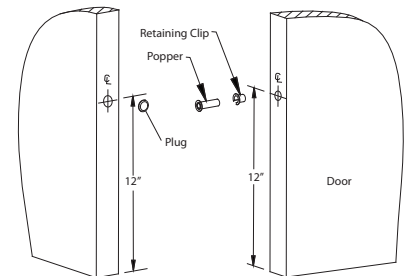
Finishes

605 / US3	Polished Brass	628 / US28	Aluminum Satin	693 / SPBLK	Black, Painted
606 / US4	Brushed Brass	629 / US32	Polished Stainless Steel	695 / SP 313	Dark Bronze, Painted
611 / US9	Polished Bronze	630 / US32D	Brushed Stainless Steel		
612 / US10	Brushed Bronze				
613 / US10B	Oil Rubbed Bronze				

Dimensions



Popper Detail for Fire Rated Device



Listings and Approvals



UL Listed Panic Hardware



UL Listed Fire Exit Hardware for 3 hours, maximum 4'x10' single doors and 8'x10' pairs of doors



Meets NFPA 80 & 101 for Life Safety



Meets ADA requirements



California State Fire Marshall



ANSI/BHMA certified A156.3

Detex Limited Warranty

10 Year Mechanical/3 year Electrical Limited Manufacturer's Warranty

Where Trust is Built™
DETEX®
 Life Safety and Security Door Hardware

For detailed fire listings, visit www.detex.com/PROVEN

Detex Corporation
 302 Detex Drive
 New Braunfels, Texas 78130-3045 USA
 PH. (830) 629-2900
 (800) 729-3839
 FAX (800) 653-3839
<http://www.detex.com>
 USA Sales:
marketing@detex.com
 International Sales:
export@detex.com

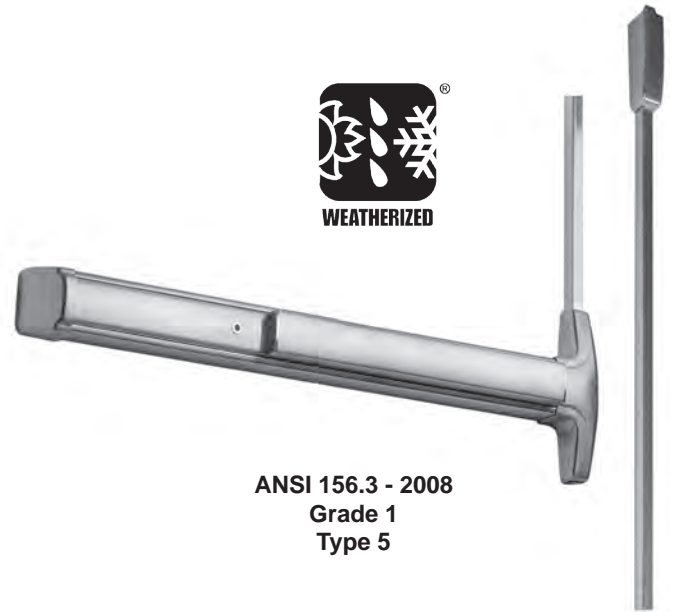
Cancer & Reproductive Harm - www.detex.com/prop65



51xW SERIES

Weatherized Narrow Stile Surface Vertical Top Rod Only Device

The 51xW Series weatherized **surface vertical rod exit device** is super-heavy-duty **panic and fire exit hardware** for use on all types of narrow stile double doors without a mullion. All 51xW Series Top Rod Only exit devices are supplied with a rod cover. The patented mounting plate and strike locator system ensures the easiest and most accurate installation of panic hardware available. In addition to listing as UL panic and fire exit hardware device, this device conforms to UL1034-34 Temperature Section 34, UL1034-54 Dust Section 54, MIL-STD 810F, Method 506.4 (driving rain test); and MIL-STD 810F, Method 509.4 (salt fog test).



**ANSI 156.3 - 2008
Grade 1
Type 5**

Benefits

- Tough and durable design for years of trouble-free service in high-use, high-abuse inclement weather environments
- Outside trims are easily changed or rekeyed without removing device from door
- Minimal door prep saves time and money
- Fast and easy installation saves time and money
- Heavy duty angled end cap deflects damage away from device
- Security enhanced by stainless steel rod covers, standard
- Patented mounting plate and strike locator replaces paper templates

Features

- All exposed surfaces are finished over stainless steel with PVD, an environmentally friendly finishing process
- Handed - field reversible
- 1/8 turn hex or cylinder dogging
- Field sizeable
- Stainless steel deadlocking top latch
- Assembled using components resistant to temperature, dust, driving rain and salt fog
- Fasteners made of stainless steel 316 material

Mechanical Options

- AM - Anti-Microbial Coating
 - HD - Hex Dogging (Std.)
 - CD - Cylinder Dogging
 - LD - Less Dogging
 - EC1 - Heavy duty angled end cap (Std.)
 - EC2 - Flush end cap
 - 24 - Fits 24" Door Width
 - 30 - Fits 30" Door Width
 - 36 - Fits 36" Door Width (Std.)
 - 48 - Fits 48" Door Width
 - 84 - 84" Door Height (Std.)
 - 96 - 85" to 96" Door Height
 - 120 - 97" to 120" Door Height
- For full list of available mechanical options, see 50 Series How To Order page

Electrical Options

- Electric Unlock (EU2W)
- Request to Exit Weatherized for High Voltage (EXV W)

Refer to Electrified Options section for more information



Accessories

- GB6 - Glass Bead Kit - 7' Door Height (84")
- GB10 - Glass Bead Kit - 8' Door Height (85" - 96")
- GB14 - Glass Bead Kit - 10' Door Height (97" - 120")
- SN1 - Sex Nut Kit (2 per package)
- SSK- Security Torx Screw Kit
- Trim Functions (see Outside Trims)
- GTPLKIT - Adjustable Gate Plate

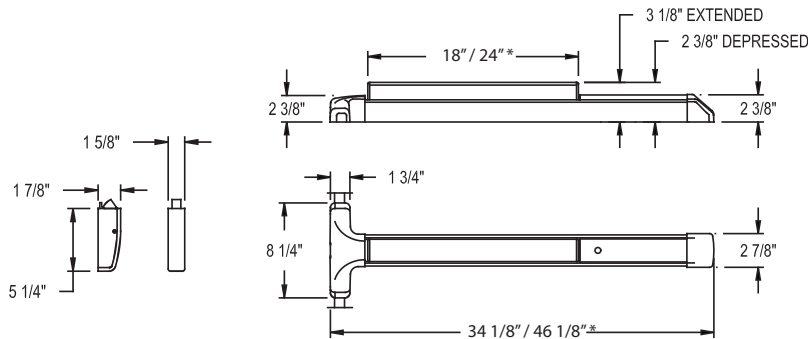
Technical Information

- Door Thickness - Fits standard 1-3/4" - 2-1/4" doors (for other door thicknesses contact factory)
- Door Types - Wood, Hollow Metal, Fiberglass or Aluminum
- Minimum Stile - 2" with standard 96 strike
- Fasteners - Machine and Self-Drilling Screws standard stainless steel 316 material

Finishes

605 / US3	Polished Brass	628 / US28	Aluminum Satin	693 / SPBLK	Black, Painted
606 / US4	Brushed Brass	629 / US32	Polished Stainless Steel	695 / SP 313	Dark Bronze, Painted
611 / US9	Polished Bronze	630 / US32D	Brushed Stainless Steel		
612 / US10	Brushed Bronze				
613 / US10B	Oil Rubbed Bronze				

Dimensions



* 18" and 34 1/8" dimension for 36" door

* 24" and 46 1/8" dimension for 48" door

Listings and Approvals



UL Listed Panic Hardware

UL1034-34 Temperature Section 34
[Temperature Range -31° F (-35° C) to 150° F (+66° C)]

UL1034-54 Dust Section 54



ANSI/BHMA certified A156.3



Meets ADA requirements

MIL-STD 810F (G), Method 509.4
(Salt Fog Test)

MIL-STD 810F (G), Method 506.4
(Driving Rain), Procedure 1

Detex Limited Warranty

10 Year Mechanical/3 year Electrical
Limited Manufacturer's Warranty

Where Trust is Built™
DETEX®
Life Safety and Security Door Hardware

Detex Corporation
302 Detex Drive
New Braunfels, Texas 78130-3045 USA
PH. (830) 629-2900
(800) 729-3839
FAX (800) 653-3839
<http://www.detex.com>
USA Sales:
marketing@detex.com
International Sales:
export@detex.com



Cancer & Reproductive Harm - www.detex.com/prop65

ADVANTEX® 60/61/62/63 SERIES (NARROW CONCEALED VERTICAL ROD)

RATING

For no rating, leave blank

F = Fire Rated (Less/No Dogging Only)

KNURLING

For no knurling, leave blank

KN = Knurled (lever trim only)

SERIES TYPE

- 60 = CVR/EC2, narrow stile, aluminum door
- 61 = CVR/EC2, top rod only, narrow stile, aluminum door
- 62 = CVR, narrow stile, hollow metal door
- 63 = CVR, top rod only, narrow stile, hollow metal door

OUTSIDE TRIM / DEVICE FINISH

- 605 = Polished brass (PVD)
- 606 = Brushed brass (PVD)
- 611 = Polished bronze (PVD)
- 612 = Brushed bronze (PVD)
- 613 = Oil rubbed bronze
- 625 = Polished chrome
- 626 = Brushed chrome (std. on lever trims)
- 628 = Aluminum, powder coated (device only)
- 629 = Polished stainless steel
- 630 = Brushed stainless steel (std. on pull trims & device)
- 693 = Black, powder coated
- 695 = Dark bronze, powder coated

Trim

Device

DOGGING FUNCTION

- LD = Less/No dogging
- HD = Hex key dogging
- CD = Cylinder key dogging

STRIKES

- 95T = CVR, top strike
- 95B = CVR, bottom strike

PRE-INSTALLED CYLINDERS

If cylinders provided by others, leave blank

- MC65 = Mortise Cylinder(s) 6pin/Keyed 5
- IC7 = Mortise Cylinder(s) SFIC housing
- IK7 = Mortise Cylinder(s) InstaKey housing
- RC65 = Rim Cylinder(s) 6pin/Keyed 5
- IC7R = Rim Cylinder(s) SFIC housing
- IK7R = Rim Cylinder(s) InstaKey housing

Specify KA for Keyed Alike

Trim

Device

ENDCAP

- EC1 = Ramped endcap*
- EC2 = Flush endcap (std. on all 628/693/695 finishes)

ANTIMICROBIAL

For no coating, leave blank

AM = Antimicrobial Coating

DOOR HEIGHT/CVR HEIGHT

For 80-96" door heights, leave blank

- " " - 80" - 96" high door
- 120 - 97" - 120" high door

POWER TRANSFERS

For no power transfers, leave blank

- FC3 = 3' Flex Conduit
- FC10 = 10' Flex Conduit
- PT5 = Power Transfer
- EH8 = Electric Hinge

FASTENERS

For standard machine, wood & self-drilling screws, leave blank

- SN1 = Sex Nuts/Throughbolts

OUTSIDE TRIM FUNCTION

For no outside trim, leave blank

- 02WP = Dummy wire pull handle
- 01CNV = CVR, narrow blank plate
- 02CNV = CVR, Dummy pull handle
- 03CNV = CVR, Key retracts latch; Narrow pull handle
- 03R = CVR, Key retracts latch; Cylinder escutcheon
- 02DNV = CVR, Dummy narrow lever handle (handed) (S, T or U lever)
- 08DNV = CVR, Active lever, key locks / unlocks lever; Narrow lever handle (handed) (S, T or U lever) (classroom)
- 09DNV = CVR, Lever trim active by key, locked when key removed; Narrow lever handle (handed) (S, T or U lever) (storeroom)
- 14DNV = CVR, Active lever, no key cylinder; Narrow lever handle (handed) (S, T or U lever) (passage)

DOOR HANDING

- RHR = Right hand reverse*
- LHR = Left hand reverse

KEYSTOP

For no keystone, leave blank

- KS = Key Stop (Available with EA, EE, EEXER, EI functions)

SWITCHING

For no switching, leave blank

- LX = Latch Bolt Signal Switch
- LXV = Latch Bolt 3Amp Current Switch

DOOR WIDTH

- 24" wide door
- 30" wide door
- 36" wide door (3')*
- 48" wide door (4')

SILENCER

For standard pushpad, leave blank

- SLR = Silent Latch & Pushpad

ELECTRIFIED FUNCTION

For no electrified function, leave blank

Standard

Select Arming Time and Auto Rearm

- EA = Hardwired Elec. Alarm
- EA EX = Exit Alarm with Request To Exit (Signal) Switch
- EAX EXV = Exit Alarm with Request To Exit (3Amp Current) Switch
- ED = Elec. Dogging
- EX = Request To Exit (Signal) Switch
- EXV = Request To Exit (3Amp Current) Switch

Delayed Egress

Select Arming Delay, Delayed Egress

Time and Silent Arming

EE = Delayed Egress

Power Supply for Delayed Egress

Comes standard with 90-800 power supply

Single = (1) 90-800 w/o bat backup

Pair = (1) 90-800 w/o bat backup

Latch Retraction

- ER EX = Elec. Latch Retraction with Request To Exit Switch (silencer standard)

Power Supply / Controller for Latch Retraction Only (ER)

Order/Sold Separately

Single = 81-800

Pair = 82-800

2 Independent Singles = 83-800

Delayed Egress/Latch Retraction

- EE ER = Delayed Egress with Elec. Latch Retraction (silencer standard)

- EE ER ULC = Delayed Egress with Elec. Latch Retraction (silencer standard) UL

Canada

Required Power Supply/Controller for Delayed Egress with Latch Retraction (EE ER)

Order/Sold Separately

Single EEXER = 84-800

Pair of EEXER = 85-800

One EEXER and One EE = 85-800 EE

One EEXER and One ER = 85-800 ER

Fire-rated trims must be fail safe (FSA)

**Other FSB levers available: 1016, 1035, 1058, 1075, 1093, 1119, 1147. FSB levers available in 630 finish only. See catalog pages for more information.

NOTE: * = default/standard

Also see online version at detex.com/hto

September 6, 2018



Detex products can expose you to chemicals including Chromium (hexavalent compounds) and Lead, which are known to the State of California to cause cancer and birth defects or other reproductive harm. For more information go to www.detex.com/prop65



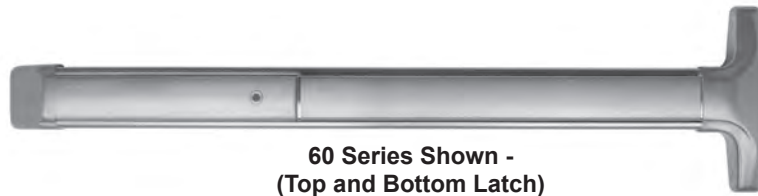
60 SERIES

61 SERIES (Top Rod Only)

Concealed Vertical Rod Device - Narrow Stile Aluminum Door

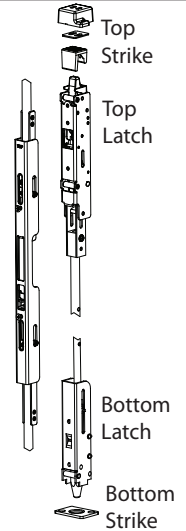
The 60 and 61 Series **concealed vertical rod exit device** is super-heavy-duty **panic and fire exit hardware** for use on all types of narrow stile aluminum doors without a mullion. The patented mounting plate system ensures the easiest and most accurate installation of panic hardware available.

Note: For Top Rod Only -
Specify 61 Series



60 Series Shown -
(Top and Bottom Latch)

ANSI 156.3 - 2008
Grade 1
Type 6



Also Available:

- 62/63 CVR Narrow Stile H.M. Door
- 70/71 CVR Wide Stile Wood Door
- 80/81 CVR Wide Stile H.M. Door
- 82/83 CVR Wide Stile Alum. Door

Benefits

- Tough and durable design for years of trouble-free service in high-use, high-abuse environments
- Minimal door prep saves time and money
- Heavy duty angled end cap deflects damage away from device
- Fast and easy installation saves time and money
- Except for 03R, outside trims are easily changed or rekeyed without removing device from door

Features

- 6-position multi-step action in top latch keeps top and bottom bolts retracted until door closes and provides more consistent re-latching and security to door
- Top strike fully adjustable both vertically and to accommodate a variety of varying weather strip thicknesses
- Top strike both secures the door and re-engages the latchbolts
- Patented deadlocking of top (60 and 61 Series) and bottom bolt (60 Series) assemblies
- Durable steel bottom drop bolt (60 Series)
- Rods are easily adjustable with rods installed in door
- Handed - field reversible
- Field sizeable
- 1/8 turn dogging

Mechanical Options

- F - 3-Hour Fire Rated without astragal up to 10 foot (steel) door
 - AM - Anti-Microbial Coating
 - HD - Hex Dogging (Std.)
 - CD - Cylinder Dogging
 - SLR - Silencer
 - 24 - Fits 24" Door Width
 - 30 - Fits 30" Door Width
 - 36 - Fits 36" Door Width (Std.)
 - 48 - Fits 48" Door Width
 - EC1 - Heavy duty angled end cap (standard on 630, 606, 612, 613, 605, 611 & 629 finishes only)
 - EC2 - Flush end cap (standard on 628, 693 & 695 finishes only), specify when used on 2" - 3-1/2" stiles
- For full list of available mechanical options, see 60 Series How To Order page

Electrical Options

- Exit Alarm (EA)
 - Electric Dogging (ED)
 - Electric Latch Retraction (ER)
 - Delayed Egress Self-Contained (EE)
 - Request to Exit (EX)
 - Request to Exit for High Voltage (EXV)
 - Electric Delayed Egress with Latch Retraction (EE ER)
- Refer to Electrified Options section for more information

Accessories

- SSK - Security Torx Screw Kit

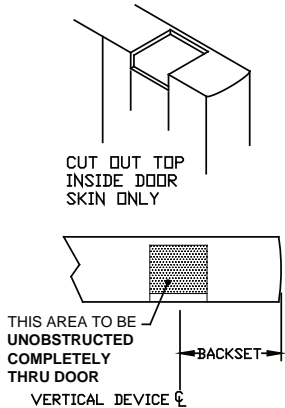
Technical Information

- Door Thickness - Fits standard 1-3/4" - 2 1/4" (for other door thicknesses contact factory)
- Door Stile - Fits minimum 2"
- For 2" - 3-1/2" door stiles, specify EC2
- Door Types - Aluminum/ Aluminum Channel FRP
- Fasteners - Machine and sheet metal screws supplied standard
- Rail is heavy ribbed aluminum extrusion

Finishes

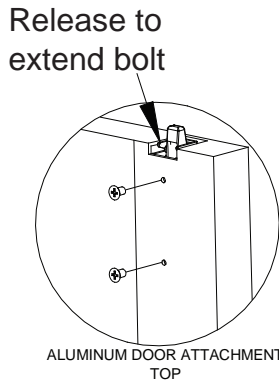
605 / US3	Polished Brass	628 / US28	Satin Aluminum	693 / SPBLK	Black, painted
606 / US4	Brushed Brass	629 / US32	Polished Stainless Steel	695 / SP313	Dark Bronze, painted
611 / US9	Polished Bronze				
612 / US10	Brushed Bronze	630 / US32D	Brushed Stainless Steel		
613 / US10B	Oil Rubbed Bronze				

Top & Bottom Latch Door Prep for 60 & 61 Series

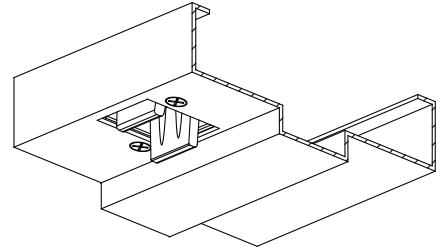


LATCH MOUNTING TOP & BOTTOM

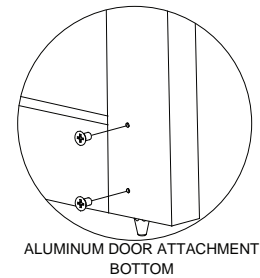
Top Latch Installation for 60 & 61 Series



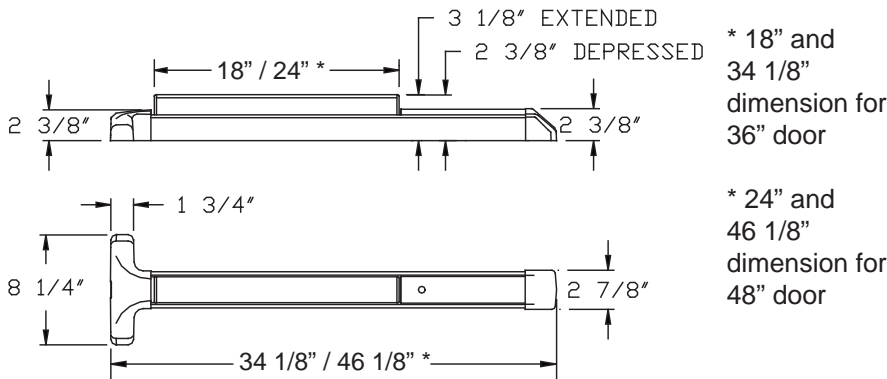
Top Strike Installation for 60 & 61 Series



Bottom Latch Installation for 61 Series only



Dimensions



* 18" and 34 1/8" dimension for 36" door

* 24" and 46 1/8" dimension for 48" door

Detex Limited Warranty

10 Year Mechanical/3 year Electrical Limited Manufacturer's Warranty

Listings and Approvals



UL Listed Panic Hardware



ULC 97, Standard 7-2 and UL10B/UL10C for positive pressure



UL Listed Fire Exit Hardware 8'x10' pairs of doors



ANSI/BHMA certified A156.3



Meets ADA requirements



Meets NFPA 80 & 101 for Life Safety

For detailed fire listings, visit www.detex.com/PROVEN

Cancer & Reproductive Harm - www.detex.com/prop65

Where Trust is Built™
DETEX®
Life Safety and Security Door Hardware

Detex Corporation
 302 Detex Drive
 New Braunfels, Texas 78130-3045 USA
 PH. (830) 629-2900
 (800) 729-3839
 FAX (800) 653-3839
<http://www.detex.com>
 USA Sales:
marketing@detex.com
 International Sales:
export@detex.com



62 SERIES 63 SERIES (Top Rod Only)

Concealed Vertical Rod Device - Narrow Stile Hollow Metal Door

The 62 and 63 Series **concealed vertical rod exit device** is super-heavy-duty **panic and fire exit hardware** for use on all types of narrow stile hollow metal doors without a mullion. The patented mounting plate system ensures the easiest and most accurate installation of panic hardware available.

Note: For Top Rod Only -
Specify 63 Series

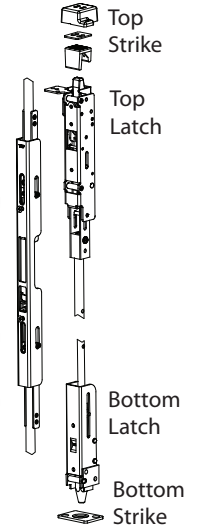
Also Available:

- 60/61 CVR Narrow Stile Alum. Door
- 70/71 CVR Wide Stile Wood Door
- 80/81 CVR Wide Stile H.M. Door
- 82/83 CVR Wide Stile Alum. Door



**62 Series Shown -
(Top and Bottom Bolt)**

**ANSI 156.3 - 2008
Grade 1
Type 6**



Benefits

- Tough and durable design for years of trouble-free service in high-use, high-abuse environments
- Minimal door prep saves time and money
- Heavy duty angled end cap deflects damage away from device
- Fast and easy installation saves time and money
- Except for 03R, outside trims are easily changed or rekeyed without removing device from door

Features

- 6-position multi-step action in top latch keeps top and bottom bolts retracted until door closes and provides more consistent re-latching and security to door
- Top strike fully adjustable both vertically and to accommodate a variety of varying weather strip thicknesses
- Top strike both secures the door and re-engages the latchbolts
- Patented deadlocking of top (62 and 63 Series) and bottom bolt (62 Series) assemblies
- Durable steel bottom drop bolt (62 Series)
- Rods are easily adjustable with rods installed in door
- Handed - field reversible
- Field sizeable
- 1/8 turn dogging

Mechanical Options

- F - 3-Hour Fire Rated without astragal up to 10 foot (steel) door
 - AM - Anti-Microbial Coating
 - HD - Hex Dogging (Std.)
 - CD - Cylinder Dogging
 - SLR - Silencer
 - 24 - Fits 24" Door Width
 - 30 - Fits 30" Door Width
 - 36 - Fits 36" Door Width (Std.)
 - 48 - Fits 48" Door Width
 - EC1 - Heavy duty angled end cap (standard on 630, 606, 612, 613, 605, 611 & 629 finishes only)
 - EC2 - Flush end cap (standard on 628, 693 & 695 finishes only), specify when used on 2" - 3-1/2" stiles
- For full list of available mechanical options, see 60 Series How To Order page

Electrical Options

- Exit Alarm (EA)
 - Electric Dogging (ED)
 - Electric Latch Retraction (ER)
 - Delayed Egress Self-Contained (EE)
 - Request to Exit (EX)
 - Request to Exit for High Voltage (EXV)
 - Electric Delayed Egress with Latch Retraction (EE ER)
- Refer to Electrified Options section for more information

Accessories

- SSK - Security Torx Screw Kit



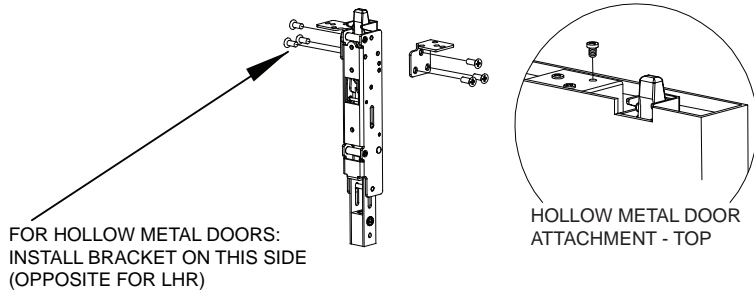
Technical Information

- Door Types - Hollow Metal
- Door Thickness - Fits standard 1-3/4" - 2 1/4" (for other door thicknesses contact factory)
- Fasteners - Machine and sheet metal screws supplied standard
- Door Stile - Fits minimum 4-1/2"
- Rail is heavy ribbed aluminum extrusion

Finishes

605 / US3	Polished Brass	628 / US28	Satin Aluminum	693 / SPBLK	Black, painted
606 / US4	Brushed Brass	629 / US32	Polished Stainless Steel	695 / SP313	Dark Bronze, painted
611 / US9	Polished Bronze	630 / US32D	Brushed Stainless Steel		
612 / US10	Brushed Bronze				
613 / US10B	Oil Rubbed Bronze				

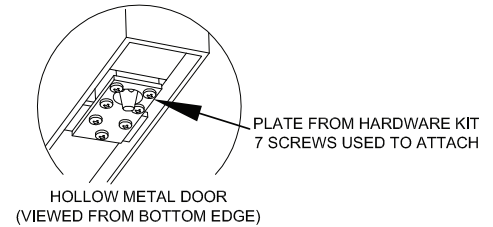
Top Latch Installation for 62 & 63 Series



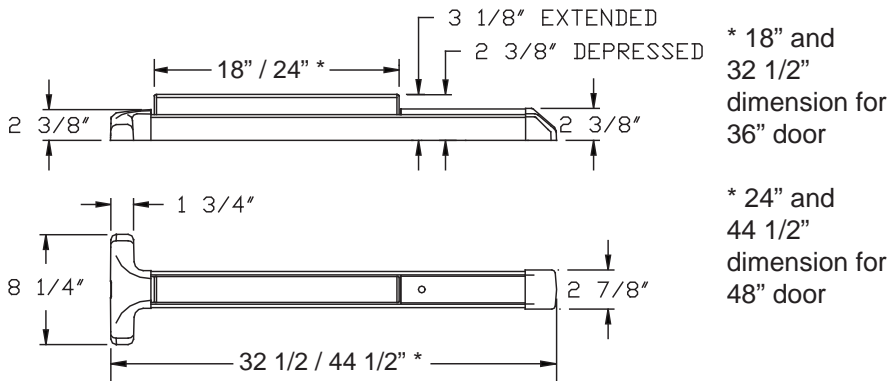
FOR **FIRE RATED** HOLLOW METAL DOORS:
INSTALL BRACKETS ON BOTH SIDES

Bottom Latch Installation for 63 Series Only

Note: Bottom bracket may slide up on rod during assembly. It may be necessary to pull it towards bottom edge of door with a simple wire hook.



Dimensions



Detex Limited Warranty

10 Year Mechanical/3 year Electrical
Limited Manufacturer's Warranty

Listings and Approvals



UL Listed Panic Hardware



UBC 97, Standard 7-2 and UL10B/UL10C for positive pressure



UL Listed Fire Exit Hardware for 3 hours, maximum (with steel door) 8'x10' pairs of doors



ANSI/BHMA certified A156.3



Meets ADA requirements



Meets NFPA 80 & 101 for Life Safety

Where Trust is Built™

DETEX®

Life Safety and Security Door Hardware

Detex Corporation
302 Detex Drive
New Braunfels, Texas 78130-3045 USA

PH. (830) 629-2900

(800) 729-3839

FAX (800) 653-3839

http://www.detex.com

USA Sales:

marketing@detex.com

International Sales:

export@detex.com

For detailed fire listings, visit www.detex.com/PROVEN

⚠ Cancer & Reproductive Harm - www.detex.com/prop65

ADVANTEX® 70/71/80/81/82/83 SERIES (WIDE CONCEALED VERTICAL ROD)

RATING

For no rating, leave blank

F = Fire Rated (Less/No Dogging Only)[†]

KNURLING

For no knurling, leave blank

KN = Knurled (lever trim only)

SERIES TYPE

- 70 = CVR, wide stile, wood door
- 71 = CVR, top rod only, wide stile, wood door
- 80 = CVR, wide stile, hollow metal door
- 81 = CVR, top rod only, wide stile, hollow metal door
- 82 = CVR, wide stile, aluminum door
- 83 = CVR, top rod only, wide stile, aluminum door

OUTSIDE TRIM / DEVICE FINISH

- 605 = Polished brass (PVD)
- 606 = Brushed brass (PVD)
- 611 = Polished bronze (PVD)
- 612 = Brushed bronze (PVD)
- 613 = Oil rubbed bronze
- 625 = Polished chrome
- 626 = Brushed chrome (std. on lever trims)
- 628 = Aluminum, powder coated (device only)
- 629 = Polished stainless steel
- 630 = Brushed stainless steel (std. on pull trims & device)
- 693 = Black, powder coated
- 695 = Dark bronze, powder coated

DOGGING FUNCTION

- LD = Less/No dogging
- HD = Hex key dogging
- CD = Cylinder key dogging

PRE-INSTALLED CYLINDERS

If cylinders provided by others, leave blank

- MC65 = Mortise Cylinder(s) 6pin/Keyed 5
- IC7 = Mortise Cylinder(s) SFIC housing
- IK7 = Mortise Cylinder(s) InstaKey housing
- RC65 = Rim Cylinder(s) 6pin/Keyed 5
- IC7R = Rim Cylinder(s) SFIC housing
- IK7R = Rim Cylinder(s) InstaKey housing

ENDCAP

- EC1 = Ramped endcap*
- EC2 = Flush endcap (std. on all 628/693/695 finishes)

POWER TRANSFERS

- For no power transfers, leave blank
- FC3 = 3' Flex Conduit
- FC10 = 10' Flex Conduit
- PT5 = Power Transfer
- EH8 = Electric Hinge

ANTIMICROBIAL

For no coating, leave blank

AM = Antimicrobial Coating

FASTENERS

- For standard machine, wood & self-drilling screws, leave blank
- SN1 = Sex Nuts/Throughbolts

STRIKES

- 95T = CVR, top strike
- 95B = CVR, bottom strike

Specify KA for Keyed Alike

DOOR HEIGHT/CVR HEIGHT

- For 80-96" door heights, leave blank
- "__" - 80" - 96" high door
- 120" - 97" - 120" high door

KEYSTOP

- For no keystone, leave blank
- KS = Key Stop (Available with EA, EE, EEExER, EI functions)

DOOR WIDTH

- 24" wide door
- 30" wide door
- 36" wide door (3')*
- 48" wide door (4')

SILENCER

- For standard pushpad, leave blank
- SLR = Silent Latch & Pushpad

OUTSIDE TRIM FUNCTION

For no outside trim, leave blank

- 01CV = CVR, Exit only, blank plate
- 02CV = CVR, Dummy pull trim
- 02WP = Dummy wire pull handle
- 03CV = CVR, Key retracts latch, Wide pull handle
- 03WSV = CVR, Key retracts latch; Wide plate - short
- 02DV = CVR, Dummy lever handle (handed) (S, T or U lever)
- 08DV = CVR, Active lever, key locks / unlocks lever; Wide lever handle (handed) (S, T or U lever) (classroom)
- 09DV = CVR, Lever trim active by key, locked when key removed; Wide lever handle (handed) (S, T or U lever) (storeroom)
- 14DV = CVR, Active lever, no key cylinder; Wide lever handle (handed) (S, T or U lever) (passage)
- EUV = Electric Unlock Trim (24VDC/FSE Std.) - Specify handing (not field reversible). For 12VDC specify 12VDC. For Fail Safe specify FSA

DOOR HANDING

- RHR = Right hand reverse*
- LHR = Left hand reverse

SWITCHING

For no switching, leave blank

- LX = Latch Bolt Signal Switch
- LXV = Latch Bolt Current Switch

ELECTRIFIED FUNCTION

For no electrified function, leave blank

Standard

Select Arming Time and Auto Rearm

- EA = Elec. Alarm
- EA EX = Exit Alarm with Request To Exit (Signal) Switch
- EA EXV = Exit Alarm with Request To Exit (3Amp Current) Switch
- ED = Elec. Dogging
- EX = Request To Exit (Signal) Switch
- EXV = Request To Exit (3Amp Current) Switch

Delayed Egress

Select Arming Delay, Delayed Egress

- Time and Silent Arming
- EE = Delayed Egress

Power Supply for Delayed Egress

Comes standard with 90-800 power supply

- Single = (1) 90-800 w/o bat backup
- Pair = (1) 90-800 w/o bat backup

Latch Retraction

- ER EX = Elec. Latch Retraction with Request To Exit Switch (silencer standard)

Power Supply / Controller for Latch Retraction Only (ER)

Order/Sold Separately

- Single = 81-800
- Pair = 82-800
- 2 Independent Singles = 83-800

Delayed Egress/Latch Retraction

- EE ER = Delayed Egress with Elec. Latch Retraction (silencer standard)
- EE ERx ULC = Delayed Egress with Elec. Latch Retraction (silencer standard) UL Canada

Required Power Supply/Controller for Delayed Egress with Latch Retraction (EE ER)

Order/Sold Separately

- Single EEExER = 84-800
- Pair of EEExER = 85-800
- One EEExER and One EE = 85-800 EE
- One EEExER and One ER = 85-800 ER

[†](70/71 Series only) For use with single doors up to 4'x8' and pairs of doors up to 8'x8' with Listed 90 MINUTE - See 70/71 Series Catalog page for more information

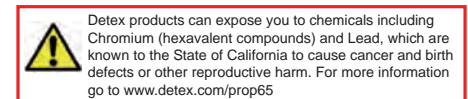
Fire-rated trims must be fail safe (FSA)

**Other FSB levers available: 1016, 1035, 1058, 1075, 1093, 1119, 1147. FSB levers available in 630 finish only. See catalog pages for more information.

NOTE: * = default/standard

Also see online version at detex.com/hto

September 6, 2018





70 SERIES 71 SERIES (Top Rod Only)

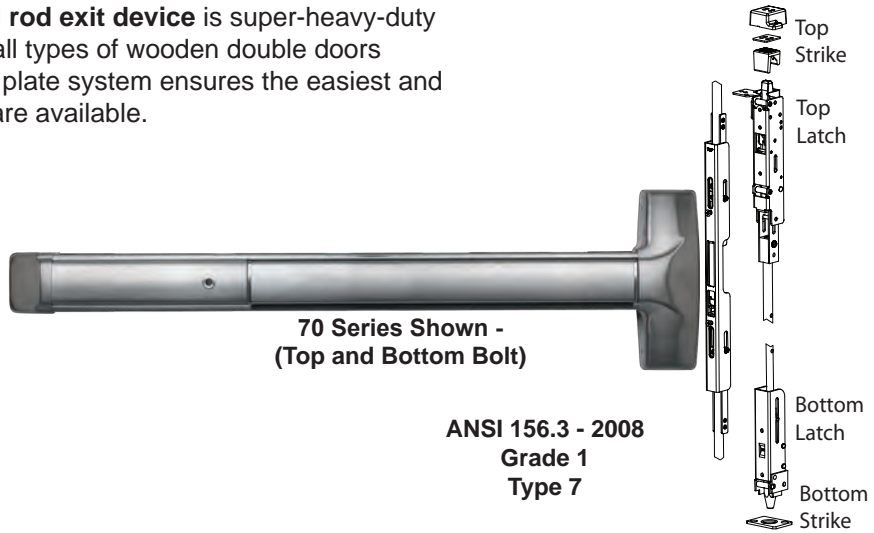
Concealed Vertical Rod Device - Wide Stile Wood Doors

The 70 and 71 Series **concealed vertical rod exit device** is super-heavy-duty **panic** and **fire exit hardware** for use on all types of wooden double doors without a mullion. The patented mounting plate system ensures the easiest and most accurate installation of panic hardware available.

Note: For Top Rod Only -
Specify 71 Series

Also Available:

- 60/61 CVR Narrow Stile Alum. Door
- 62/63 CVR Narrow Stile H.M. Door
- 80/81 CVR Wide Stile H.M. Door
- 82/83 CVR Wide Stile Alum. Door



70 Series Shown -
(Top and Bottom Bolt)

ANSI 156.3 - 2008
Grade 1
Type 7

Benefits

- Tough and durable design for years of trouble-free service in high-use, high-abuse environments
- Minimal door prep saves time and money
- Fast and easy installation saves time and money
- Heavy duty angled end cap deflects damage away from device
- Except for 03WSV, outside trims are easily changed or rekeyed without removing device from door

Features

- 6-position multi-step action in top latch keeps top and bottom bolts retracted until door closes and provides more consistent re-latching and security to door
- Top strike fully adjustable both vertically and to accommodate a variety of varying weather strip thicknesses
- Top strike both secures the door and re-engages the latchbolts
- Patented deadlocking of top (70 and 71 Series) and bottom (70 Series) bolt assemblies
- Durable steel bottom drop bolt (70 Series)
- Rods are easily adjustable with rods installed in door
- Handed - field reversible
- Field sizeable
- 1/8 turn dogging

Mechanical Options

- F - 60 Minute Fire Rated without astragal up to 8 foot door
- AM - Anti-Microbial Coating
- HD - Hex Dogging (Std.)
- CD - Cylinder Dogging
- LD - Less Dogging
- SLR - Silencer
- 24 - Fits 24" Door Width
- 30 - Fits 30" Door Width
- 36 - Fits 36" Door Width (Std.)
- 48 - Fits 48" Door Width
- EC1 - Heavy duty angled end cap (standard on 630, 606, 612, 613, 605, 611 & 629 finishes only)
- EC2 - Flush end cap (standard on 628, 693 & 695 finishes only), specify when used on 2" - 3-1/2" stiles

For full list of available mechanical options, see 70 Series how to order page

Electrical Options

- Exit Alarm (EA)
- Electric Dogging (ED)
- Electric Latch Retraction (ER)
- Delayed Egress Self-Contained (EE)
- Request to Exit (EX)
- Request to Exit for High Voltage (EXV)
- Electric Delayed Egress with Latch Retraction (EE ER)

Refer to Electrified Options section for more information

Accessories

- SSK - Security Torx Screw Kit



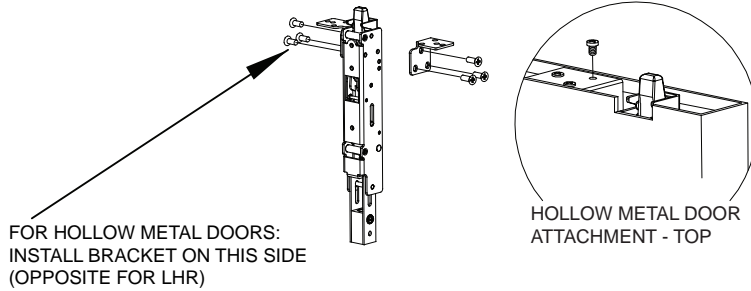
Technical Information

- Door Types - Wood
- Door Stile - Fits minimum 5"
- Door Thickness - Fits standard 1-3/4" - 2 1/4" (for other door thicknesses contact factory)
NOTE: For secure installation, Detex recommends minimum 2" thick doors
- Fasteners - Wood screws supplied standard
- Rail is heavy ribbed aluminum extrusion

Finishes

605 / US3	Polished Brass	628 / US28	Satin Aluminum	693 / SPBLK	Black, painted
606 / US4	Brushed Brass	629 / US32	Polished Stainless Steel	695 / SP313	Dark Bronze, painted
611 / US9	Polished Bronze				
612 / US10	Brushed Bronze	630 / US32D	Brushed Stainless Steel		
613 / US10B	Oil Rubbed Bronze				

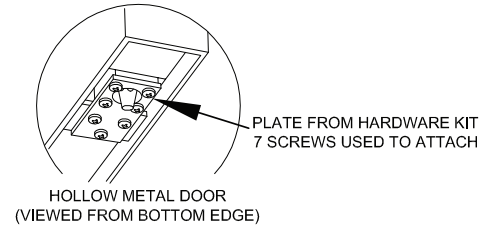
Top Latch Installation for 70 & 71 Series



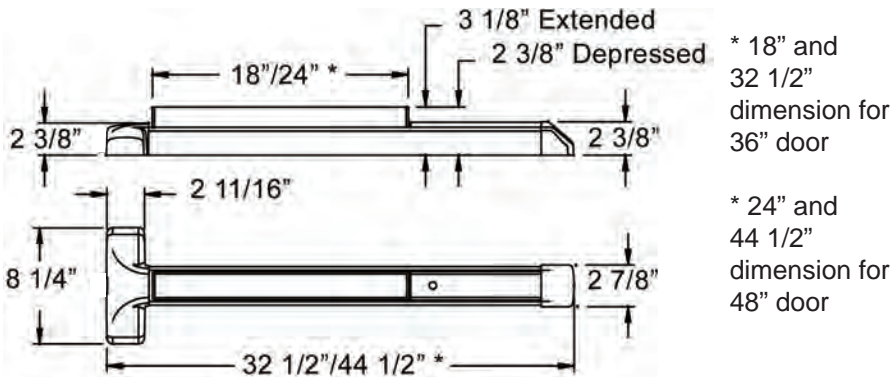
FOR **FIRE RATED** HOLLOW METAL DOORS:
INSTALL BRACKETS ON BOTH SIDES

Bottom Latch Installation for 70 Series Only

Note: Bottom bracket may slide up on rod during assembly. It may be necessary to pull it towards bottom edge of door with a simple wire hook.



Dimensions



Detex Limited Warranty

10 Year Mechanical/3 year Electrical
Limited Manufacturer's Warranty

Listings and Approvals



UL Listed Panic Hardware



ULC 97, Standard 7-2 and UL10B/UL10C for positive pressure



Intertek Listed Fire Exit Hardware for 60 minutes, metal wrap on door lock edge required, with Georgia Pacific blue core 4x8 double egress pair, same swinging pair, or single door



ANSI/BHMA certified A156.3



Meets NFPA 80 & 101 for Life Safety



Meets ADA requirements

Where Trust is Built™
DETEX®
Life Safety and Security Door Hardware

Detex Corporation
302 Detex Drive
New Braunfels, Texas 78130-3045 USA
PH. (830) 629-2900
(800) 729-3839
FAX (800) 653-3839
<http://www.detex.com>
USA Sales:
marketing@detex.com
International Sales:
export@detex.com

For detailed fire listings, visit www.detex.com/PROVEN

Cancer & Reproductive Harm - www.detex.com/prop65



80 SERIES

81 SERIES (Top Rod Only)

Concealed Vertical Rod Device - Wide Stile Hollow Metal Door

Designed to enhance the architectural aesthetics of any décor, the 80 and 81 Series **concealed vertical rod exit device** is also super-heavy-duty **panic and fire exit hardware** for use on all types of hollow metal doors without a mullion. The patented mounting plate system ensures the easiest and most accurate installation of panic hardware available.

Note: For Top Rod Only -
Specify 81 Series

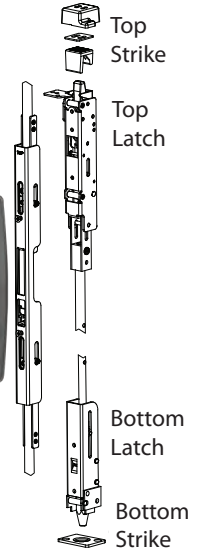
Also Available:

- 60/61 CVR Narrow Stile Alum. Door
- 62/63 CVR Narrow Stile H.M. Door
- 70/71 CVR Wide Stile Wood Door
- 82/83 CVR Wide Stile Alum. Door



80 Series Shown -
(Top and Bottom Bolt)

ANSI 156.3 - 2008
Grade 1
Type 8



Benefits

- Tough and durable design for years of trouble-free service in high-use, high-abuse environments
- Minimal door prep saves time and money
- Fast and easy installation saves time and money
- Heavy duty angled end cap deflects damage away from device
- Except for 03WSV, outside trims are easily changed or rekeyed without removing device from door

Features

- 6-position multi-step action in top latch keeps top and bottom bolts retracted until door closes and provides more consistent re-latching and security to door
- Patented deadlocking of top (80 and 81 Series) and bottom bolt (80 Series) assemblies
- Top strike both secures the door and re-engages the latchbolts
- Top strike fully adjustable both vertically and to accommodate a variety of varying weather strip thicknesses
- 1/8 turn dogging
- Rods are easily adjustable with rods installed in door
- Handed - field reversible
- Field sizeable
- Durable steel bottom drop bolt (80 Series)

Mechanical Options

- F - 3-Hour Fire Rating without astragal up to 10 foot (steel) door
 - AM - Anti-Microbial Coating
 - HD - Hex Dogging (Std.)
 - CD - Cylinder Dogging
 - SLR - Silencer
 - 24 - Fits 24" Door Width
 - 30 - Fits 30" Door Width
 - 36 - Fits 36" Door Width (Std.)
 - 48 - Fits 48" Door Width
 - EC1 - Heavy duty angled end cap (standard on 630, 606, 612, 613, 605, 611 & 629 finishes only)
 - EC2 - Flush end cap (standard on 628, 693 & 695 finishes only), specify when used on 2" - 3-1/2" stiles
- For full list of available mechanical options, see 80 Series How To Order page

Electrical Options

- Exit Alarm (EA)
- Request to Exit (EX)
- Electric Latch Retraction (ER)
- Electric Dogging (ED)
- Request to Exit for High Voltage (EXV)
- Refer to Electrified Options section for more information
- Delayed Egress Self-Contained (EE)
- Electric Delayed Egress with Latch Retraction (EE ER)

Accessories

- SSK4 - Security Torx Screw Kit
- Trim Functions (see Outside Trims)



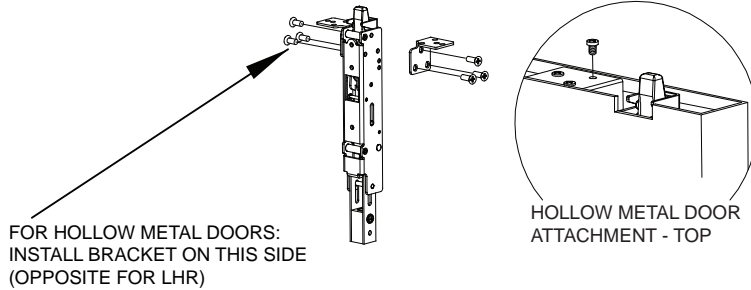
Technical Information

- Door Types - Hollow Metal
- Minimum Stile - 5"
- Fasteners - Machine and Self-Drilling Screws standard
- Door Thickness - Fits standard 1-3/4" - 2-1/4" (for other door thicknesses contact factory)
- Rail is heavy ribbed aluminum extrusion

Finishes

605 / US3	Polished Brass	628 / US28	Satin Aluminum	693 / SPBLK	Black, painted
606 / US4	Brushed Brass	629 / US32	Polished Stainless Steel	695 / SP313	Dark Bronze, painted
611 / US9	Polished Bronze				
612 / US10	Brushed Bronze	630 / US32D	Brushed Stainless Steel		
613 / US10B	Oil Rubbed Bronze				

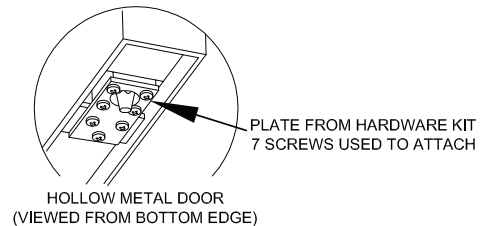
Top Latch Installation for 80 & 81 Series



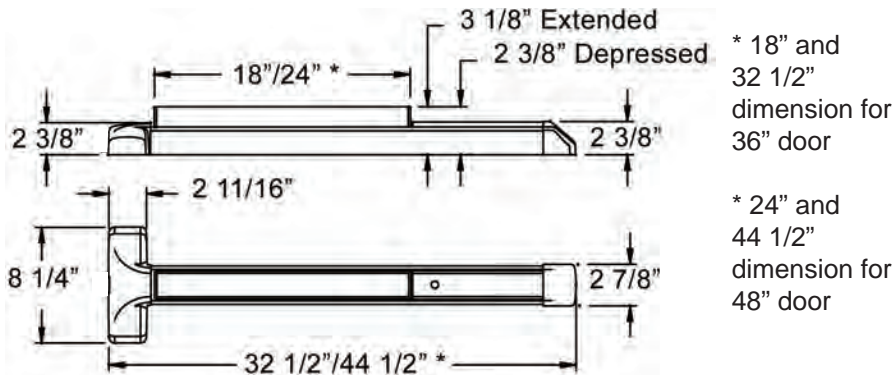
FOR **FIRE RATED** HOLLOW METAL DOORS:
INSTALL BRACKETS ON BOTH SIDES

Bottom Latch Installation for 80 Series Only

Note: Bottom bracket may slide up on rod during assembly. It may be necessary to pull it towards bottom edge of door with a simple wire hook.



Dimensions



Detex Limited Warranty

10 Year Mechanical/3 year Electrical
Limited Manufacturer's Warranty

Listings and Approvals



UL Listed Panic Hardware



ULC 97, Standard 7-2 and
UL10B/UL10C for positive
pressure



UL Listed Fire Exit Hardware
for 3 hours, maximum 8'x10'
pairs of doors



ANSI/BHMA certified A156.3



Meets ADA requirements



Meets NFPA 80 & 101 for Life
Safety

For detailed fire listings, visit www.detex.com/PROVEN

Where Trust is Built™
DETEX®
Life Safety and Security Door Hardware

Detex Corporation
302 Detex Drive
New Braunfels, Texas 78130-3045 USA

PH. (830) 629-2900

(800) 729-3839

FAX (800) 653-3839

<http://www.detex.com>

USA Sales:

marketing@detex.com

International Sales:

export@detex.com

⚠ Cancer & Reproductive Harm - www.detex.com/prop65



82 SERIES 83 SERIES (Top Rod Only)

Concealed Vertical Rod Device - Wide Stile Aluminum Door

Designed to enhance the architectural aesthetics of any décor, the 82 and 83 Series **concealed vertical rod exit device** is also super-heavy-duty **panic and fire exit hardware** for use on all types of wide stile aluminum doors without a mullion. The patented mounting plate system ensures the easiest and most accurate installation of panic hardware available.

Note: For Top Rod Only -
Specify 83 Series

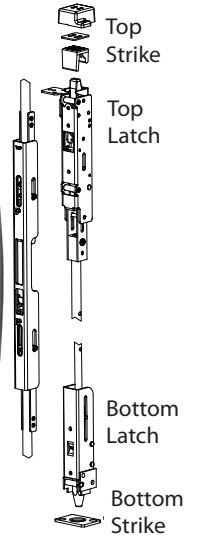
Also Available:

- 60/61 CVR Narrow Stile Alum. Door
- 62/63 CVR Narrow Stile H.M. Door
- 70/71 CVR Wide Stile Wood Door
- 80/81 CVR Wide Stile H.M. Door



82 Series Shown -
(Top and Bottom Bolt)

ANSI 156.3 - 2008
Grade 1
Type 8



Benefits

- Tough and durable design for years of trouble-free service in high-use, high-abuse environments
- Minimal door prep saves time and money
- Fast and easy installation saves time and money
- Heavy duty angled end cap deflects damage away from device
- Except for 03WSV, outside trims are easily changed or rekeyed without removing device from door

Features

- 6-position multi-step action in top latch keeps top and bottom bolts retracted until door closes and provides more consistent re-latching and security to door
- Top strike fully adjustable both vertically and to accommodate a variety of varying weather strip thicknesses
- Top strike both secures the door and re-engages the latchbolts
- Patented deadlocking of top (82 and 83 Series) and bottom bolt (82 Series) assemblies
- Durable steel bottom drop bolt (82 Series)
- Rods are easily adjustable with rods installed in door
- Handed - field reversible
- Field sizeable
- 1/8 turn dogging

Mechanical Options

- F - 3-Hour Fire Rated without astragal up to 10 foot (steel) door
 - AM - Anti-Microbial Coating
 - HD - Hex Dogging (Std.)
 - CD - Cylinder Dogging
 - SLR - Silencer
 - 24 - Fits 24" Door Width
 - 30 - Fits 30" Door Width
 - 36 - Fits 36" Door Width (Std.)
 - 48 - Fits 48" Door Width
 - EC1 - Heavy duty angled end cap (standard on 630, 606, 612, 613, 605, 611 & 629 finishes only)
 - EC2 - Flush end cap (standard on 628, 693 & 695 finishes only), specify when used on 2" - 3-1/2" stiles
- For full list of available mechanical options, see 80 Series How To Order page

Electrical Options

- Exit Alarm (EA)
 - Electric Dogging (ED)
 - Delayed Egress Self-Contained (EE)
 - Electric Latch Retraction (ER)
 - Request to Exit (EX)
 - Request to Exit for High Voltage (EXV)
 - Electric Delayed Egress with Latch Retraction (EE ER)
- Refer to Electrified Options section for more information

Accessories

- SSK4- Security Torx Screw Kit
- Trim Functions (see Outside Trims)



Technical Information

• Door Types - Aluminum/
Aluminum Channel FRP

• Door Thickness - Fits standard
1-3/4" - 2-1/4" (for other door
thicknesses contact factory)

• Fasteners - Machine and Self-
Drilling Screws standard

• Door Stile - Fits minimum 4-1/2"

• Rail is heavy ribbed aluminum
extrusion

Finishes

605 / US3 Polished Brass
606 / US4 Brushed Brass
611 / US9 Polished Bronze
612 / US10 Brushed Bronze
613 / US10B Oil Rubbed Bronze

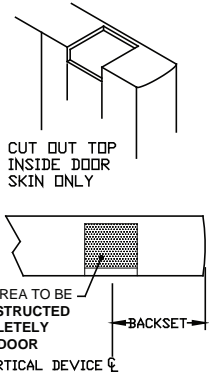
628 / US28 Satin Aluminum
629 / US32 Polished Stainless
Steel
630 / US32D Brushed Stainless
Steel

693 / SPBLK Black, painted
695 / SP313 Dark Bronze, painted

Top & Bottom Latch Door Prep for 82 & 83 Series

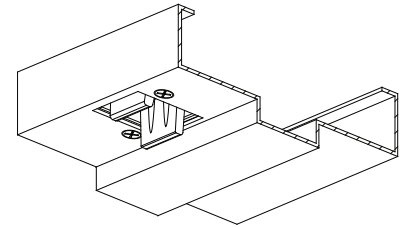
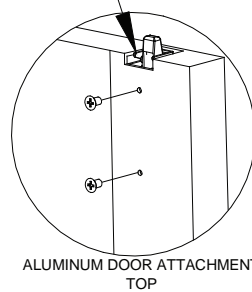
Top Latch Installation for 82 & 83 Series

Top Strike Installation for 82 & 83 Series

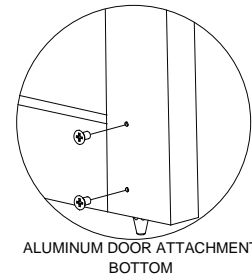


LATCH MOUNTING TOP & BOTTOM

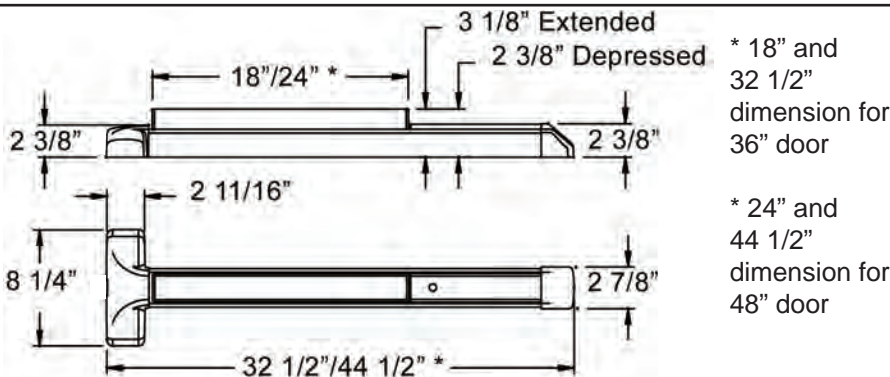
Release to
extend bolt



Bottom Latch Installation for 83 Series only



Dimensions



Detex Limited Warranty 10 Year Mechanical/3 year Electrical Limited Manufacturer's Warranty

Listings and Approvals



UL Listed Panic Hardware



ULC 97, Standard 7-2 and
UL10B/UL10C for positive
pressure



UL Listed Fire Exit Hardware
for 3 hours, maximum 8'x10'
pairs of doors



ANSI/BHMA certified A156.3



Meets ADA requirements



Meets NFPA 80 & 101 for Life
Safety

For detailed fire listings, visit www.detex.com/PROVEN

Where Trust is Built™
DETEX®
Life Safety and Security Door Hardware

Detex Corporation
302 Detex Drive
New Braunfels, Texas 78130-3045 USA

PH. (830) 629-2900

(800) 729-3839

FAX (800) 653-3839

<http://www.detex.com>

USA Sales:

marketing@detex.com

International Sales:

export@detex.com

Cancer & Reproductive Harm - www.detex.com/prop65

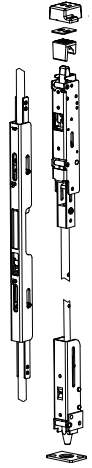


87 SERIES

High Security Relatching Concealed Vertical Rod Device

Designed to enhance the architectural aesthetics of any décor, the 87 Series high security concealed vertical rod exit device is also super-heavy-duty panic and fire exit hardware for use on all types of hollow metal doors without a mullion. The patented mounting plate system ensures the easiest and most accurate installation of panic hardware available.

Note: Only available with both top and bottom rod configuration



Benefits

- Tough and durable design for years of trouble-free service in high-use, high-abuse environments
- Outside trims are easily changed or rekeyed without removing device from door (exception: 03WSV)
- Minimal door prep saves time and money
- Fast and easy installation saves time and money
- Heavy duty angled end cap deflects damage away from device

Features

- 6-position multi-step action in top latch keeps top and bottom bolts retracted until door closes and provides more consistent re-latching and security to door
- Durable steel bottom drop bolt
- 1/8 turn dogging
- Top strike fully adjustable both vertically and to accommodate a variety of varying weather strip thicknesses
- Patented deadlocking of top and bottom bolt assemblies
- Rods are easily adjustable with rods installed in door
- Handed - field reversible
- Field sizeable
- Top strike both secures the door and re-engages the latchbolt

Mechanical Options

- T - Tornado/Windstorm Rated (FEMA 361) - up to 42" wide and 88" height
- F - Contact factory for availability
- AM - Anti-Microbial Coating
- HD - Hex Dogging (Std.)
- CD - Cylinder Dogging
- SLR - Silencer
- 24 - Fits 24" Door Width
- 30 - Fits 30" Door Width
- 36 - Fits 36" Door Width (Std.)
- 48 - Fits 48" Door Width
- EC1 - Heavy duty angled end cap (standard on 630, 606, 612, 613, 605, 611 & 629 finishes only)
- EC2 - Flush end cap (standard on 628, 693 & 695 finishes only), specify when used on 2" - 3-1/2" stiles

Electrical Options

- Exit Alarm (EA)
- Electric Dogging (ED)
- Electric Latch Retraction (ER)
- Delayed Egress Self-Contained (EE)
- Request to Exit (EX)
- Request to Exit for High Voltage (EXV)
- Electric Delayed Egress with Latch Retraction (EE ER)

Refer to Electrified Options section for more information



Accessories

- SSK4 - Security Torx Screw Kit
- Trim Functions (see Outside Trims)
- Electrified Options (see Electrified Options)

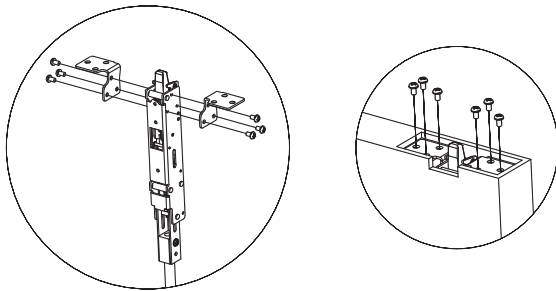
Technical Information

- Door Types - Hollow Metal
- Door Thickness - Fits standard 1-3/4" - 2-1/4" (for other door thicknesses contact factory)
- Minimum Stile - 5"
- Fasteners - Machine and Self-Drilling Screws standard
- Rail is heavy ribbed aluminum extrusion

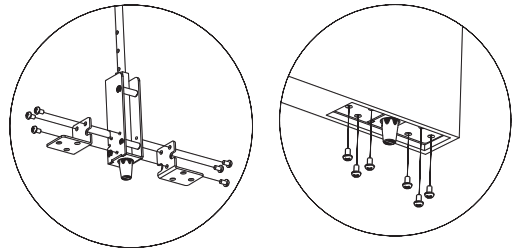
Finishes

605 / US3	Polished Brass	628 / US28	Satin Aluminum	693 / SPBLK	Black, painted
606 / US4	Brushed Brass	629 / US32	Polished Stainless Steel	695 / SP313	Dark Bronze, painted
611 / US9	Polished Bronze				
612 / US10	Brushed Bronze	630 / US32D	Brushed Stainless Steel		
613 / US10B	Oil Rubbed Bronze				

Top Latch Installation



Bottom Latch Installation



Listings and Approvals



UL Listed Panic Hardware



UBC 97, Standard 7-2 and UL 10B/UL 10C for positive pressure



UL Listed Fire Exit Hardware for 3 hours, maximum 8'x10' pairs of doors



Meets NFPA 80 & 101 for Life Safety



Meets ADA requirements

Qualified to meet FEMA 361; Tested at TEXAS Tech University National Wind Institute



ANSI/BHMA certified A156.3

Detex Limited Warranty

10 Year Mechanical/3 year Electrical Limited Manufacturer's Warranty

For detailed windstorm and fire listings, visit www.detex.com/PROVEN



Detex Corporation
 302 Detex Drive
 New Braunfels, Texas 78130-3045 USA
 PH. (830) 629-2900
 (800) 729-3839
 FAX (800) 653-3839
<http://www.detex.com>
 USA Sales:
marketing@detex.com
 International Sales:
export@detex.com

Cancer & Reproductive Harm - www.detex.com/prop65



BHMA Functions

- 01** - Exit only, no trim or blank escutcheon
- 02** - Entrance by trim when actuating bar is locked down
- 03** - Entrance by trim when latch bolt is released by key. Key removable only when locked.
- 08** - Entrance by knob or lever. Key locks or unlocks knob or lever.
- 09** - Entrance by knob or lever only when released by key. Key removable only when locked.
- 10** - Entrance by lever. Inside or outside key locks or unlocks lever.
- 14** - Entrance by trim when latch bolt is released by knob, lever. Always active, no cylinder.
- EU** - Electric Unlock Trim
- EU2W** - Electric Unlock Trim (doors with 4" minimum stile width)



Exit Device & Trim Designation

Outside Trim Functions

	10 Series	20 Series	21 Series	30 Series	40 Series	50 Series	51 Series	60 Series	61 Series
ANSI Function	ANSI Type 1	ANSI Type 2	ANSI Type 2 Top Rod Only	ANSI Type 3	ANSI Type 4	ANSI Type 5	ANSI Type 5 Top Rod Only	ANSI Type 6	ANSI Type 6 Top Rod Only
Exit Only	10 F10 H10 FH10	20 F20	21 F21	30 F30	40 F40 H40 FH40	50 F50	51 F51	60 F60	61 F61
01	1001 F1001 H1001 FH1001	2001 F2001	2101 F2101	3001 F3001	4001 F4001 H4001 FH4001	5001 F5001	5101 F5101	6001 F6001	6101 F6101
Exit Only - Plate Trim	01C 01D 01W	01C 01D 01W	01C 01D 01W	01CM 01WM	01CN 01DN	01CN 01DN	01CN 01DN	01CNV 01DNV	01CNV 01DNV
02	1002 F1002 H1002 FH1002	2002 F2002	2102 F2102	3002 F3002	4002 F4002 H4002 FH4002	5002 F5002	5102 F5102	6002 F6002	6102 F6102
Dummy Trim - No Cylinder	02C 02D	02C 02D	02C 02D	02CM 02DM	02CN 02DN	02CN 02DN	02CN 02DN	02CNV 02DNV	02CNV 02DNV
03	1003 F1003 H1003 FH1003	2003 F2003	2103 F2103	3003 F3003	4003 F4003 H4003 FH4003	5003 F5003	5103 F5103	6003 F6003	6103 F6103
Entrance by trim when latchbolt is retracted by key. Key removable only when locked.	03C* 03W* 03W*	03C* 03W* 03W*	03C* 03W* 03W*	03CM* 03WM*	03CN* 03WS*	03CN* 03WS*	03CN* 03WS*	03CNV*	03CNV*
08	1008 F1008 H1008 FH1008	2008 F2008	2108 F2108	3008 F3008	4008 F4008 H4008 FH4008	5008 F5008	5108 F5108	6008 F6008	6108 F6108
Entrance by lever. Key locks or unlocks lever.	08D**	08D**	08D**	08DM**	08DN**	08DN**	08DN**	08DNV**	08DNV**
09	1009 F1009 H1009 FH1009	2009 F2009	2109 F2109	3009 F3009	4009 F4009 H4009 FH4009	5009 F5009	5109 F5109	6009 F6009	6109 F6109
Entrance by lever trim activated by key; locked when key removed.	09D**	09D**	09D**	09DM**	09DN**	09DN**	09DN**	09DNV**	09DNV**
10	1010 F1010 H1010 FH1010			3010 F3010					
Entrance by lever. Inside or outside key locks or unlocks lever.	10D			10DM**					
14	1014 F1014 H1014 FH1014	2014 F2014	2114 F2114	3014 F3014	4014 F4014 H4014 FH4014	5014 F5014	5114 F5114	6014 F6014	6114 F6114
Entrance by lever. Lever operable at all times.	14D	14D	14D	14DM	14DN	14DN	14DN	14DNV	14DNV

Prefix F denotes UL Listed Fire Exit Hardware

Prefix H denotes Hurricane Listed Rim Device

* Rim Cylinder Required

** Mortise Cylinder Required

	62 Series	63 Series	70 Series	71 Series	80 Series	81 Series	82 Series	83 Series
ANSI Function	ANSI Type 6	ANSI Type 6 Top Rod Only	ANSI Type 7	ANSI Type 7 Top Rod Only	ANSI Type 8	ANSI Type 8 Top Rod Only	ANSI Type 8	ANSI Type 8 Top Rod Only
Exit Only	62 F62	63 F63	70 F70	71 F71	80 F80	81 F81	82 F82	83 F83
01	6201 F6201	6301 F6301	7001 F7001	7101 F7101	8001 F8001	8101 F8101	8201 F8201	8301 F8301
Exit Only - Plate Trim	01CNV 01DNV	01CNV 01DNV	01CV 02CV	01CV 02CV	01CV 02CV	01CV 02CV	01CV 02CV	01CV 02CV
02	6202 F6202	6302 F6302	7002 F7002	7102 F7102	8002 F8002	8102 F8102	8202 F8202	8302 F8302
Dummy Trim - No Cylinder	02CNV 02DNV	02CNV 02DNV	02CV 02DV	02CV 02DV	02CV 02DV	02CV 02DV	02CV 02DV	02CV 02DV
03	6203 F6203	6303 F6303	7003 F7003	7103 F7103	8003 F8003	8103 F8103	8203 F8203	8303 F8303
Entrance by trim when latchbolt is retracted by key. Key removable only when locked.	03CNV*	03CNV*	03CV*	03CV*	03CV*	03CV*	03CV*	03CV*
08	6208 F6208	6308 F6308	7008 F7008	7108 F7108	8008 F8008	8108 F8108	8208 F8208	8308 F8308
Entrance by lever. Key locks or unlocks lever.	08CNV**	08CNV**	08CV**	08CV**	08CV**	08CV**	08CV**	08CV**
09	6209 F6209	6309 F6309	7009 F7009	7109 F7109	8009 F8009	8109 F8109	8209 F8209	8309 F8309
Entrance by lever trim activated by key; locked when key removed.	09DNV**	09DNV**	09DV**	09DV**	09DV**	09DV**	09DV**	09DV**
10								
Entrance by lever. Inside or outside key locks or unlocks lever.								
14	6214 F6214	6314 F6314	7014 F7014	7114 F7114	8014 F8014	8114 F8114	8214 F8214	8314 F8314
Entrance by lever. Lever operable at all times.	14DNV	14DNV	14DV	14DV	14DV	14DV	14DV	14DV

Prefix F denotes UL Listed Fire Exit Hardware
Prefix H denotes Hurricane Listed Rim Device
* Rim Cylinder Required
** Mortise Cylinder Required





WIDE STILE LEVER TRIM DESIGNS

Assorted outside trims provide security for all types of installations. Built to be as durable as the panic devices, these heavy-duty trims will stand up to heavy use and abuse. The versatile design of the trims, combined with the device mounting plate, makes changing functions as simple as replacing the outside trim. This can easily be done without removing the exit device from the door. Wide stile trims can be used on 10 Series Rim and 20 and 21 Series Surface Vertical Rods. Add M to most trims for use with 30 Series Mortise devices. Add V to most trims for use with 70, 71, 80, 81, 82 and 83 Series Concealed Vertical Rod devices. Detex uses the BHMA functions/descriptions for all trims.

All Wide Stile Lever Trims come standard with a break-away type lever to prevent permanent damage from vandalism and abuse. Once the lever is forced past the locking point, the lever will drop down and appear broken. The internal disengaging clutch allows the lever to be reset by pulling it back to its original position. Anti-Microbial Coating (AM) is available on all levers - contact factory for lead time and details.

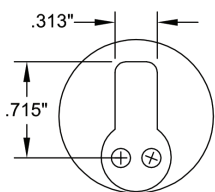
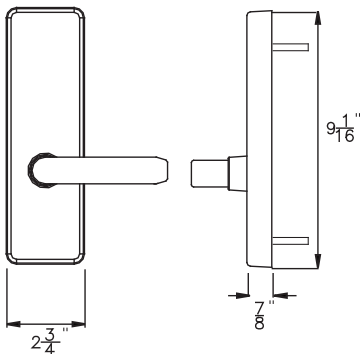
Standard Lever Trims (S lever standard)



08D / 08DM / 08DV,
09D / 09DM / 09DV,
EU / EUV (Electric Lock/
Unlock)

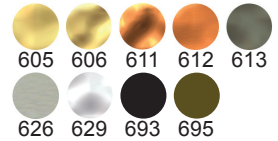
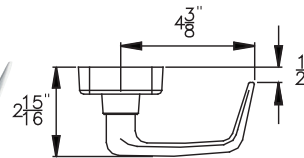


02D / 02DM / 02DV,
14D / 14DM / 14DV

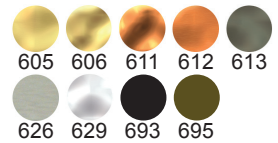
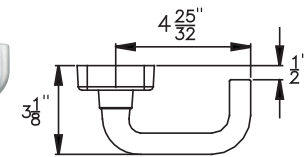


Mortise Cylinder with
standard Yale cam required

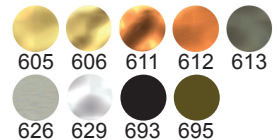
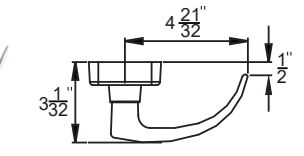
S Lever



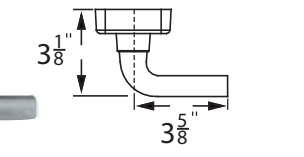
T Lever



U Lever



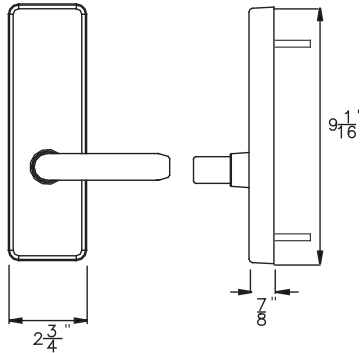
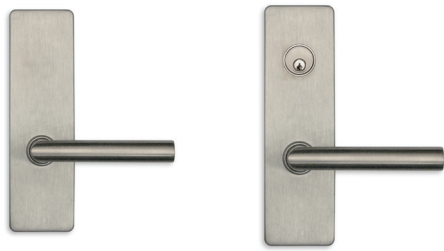
Q Lever



- | | |
|-------------|--------------------------|
| 605 / US3 | Polished Brass |
| 606 / US4 | Brushed Brass |
| 611 / US9 | Polished Bronze |
| 612 / US10 | Brushed Bronze |
| 613 / US10B | Oil Rubbed Bronze |
| 626 / US26D | Brushed Chrome |
| 629 / US32 | Polished Stainless Steel |
| 693 / SPBLK | Black Painted |
| 695 / SP313 | Dark Bronze Painted |



FSB Contemporary/European Designed Levers (630/US32D Brushed Stainless Steel Finish)



1075



1076



1016



1093



1035



1147



1119



1058



630

FSB Lever Trims available in 630/US32D Brushed Stainless Steel

LS Lever Switch

- Monitors the lever and sends a signal to access control when lever is rotated
- Available on 08D, 09D, 14D and EU levers only
- Not retrofittable or field reversible - must specify handing

BHMA Function/Description For All Lever Trims

- 02 - Entrance by trim when actuating bar is dogged (dummy trim)
- 08 - Entrance by lever. Key locks or unlocks lever.
- 09 - Entrance by lever only when released by key. Key removable only when locked.
- 10 - Entrance by lever. Inside or outside key locks or unlocks lever.
- 14 - Entrance by trim when latch bolt is released by knob or lever. Always active, no cylinder.
- EU - Electric Lock/Unlock - Fail Secure (FSE) or Fail Safe (FSA) - Specify handing (Not field reversible)

Technical Information

- D Trims are Forged Brass
- FSB Levers are Forged Steel
- KN - Knurling available on all standard levers
- When ordered with device, trim will match mounting plate specified
- A short cylinder collar is supplied for mortise cylinders 1" to 1-1/8" long. For cylinders greater than 1-1/8", order tall cylinder collar part #100752-X
- Wide stile trim configured for use with BP1 mounting plate - Call factory for retrofit applications



Detex Corporation
 302 Detex Drive
 New Braunfels, Texas 78130-3045 USA
 PH. (830) 629-2900
 (800) 729-3839
 FAX (800) 653-3839
 http://www.detex.com
 USA Sales:
 marketing@detex.com
 International Sales:
 export@detex.com

Cancer & Reproductive Harm - www.detex.com/prop65



WIDE STILE

OUTSIDE PULL & PLATE TRIM DESIGNS

Assorted outside trims provide security for all types of installations. Built to be as durable as the panic devices, these heavy-duty trims will stand up to heavy use and abuse. The versatile design of the trims, combined with the device mounting plate, makes changing functions as simple as replacing the outside trim. This can easily be done without removing the exit device from the door. Wide stile trims can be used on 10 Series Rim and 20 and 21 Series Surface Vertical Rods. Add M to most trims for use with 30 Series Mortise devices. Add V to most trims for use with 70, 71, 80, 81, 82 and 83 Series Concealed Vertical Rod devices. Detex uses the BHMA functions/descriptions for all trims.

C/CM/CV TRIM (Anti-Microbial Coating available)



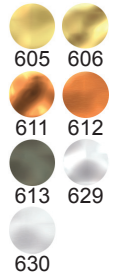
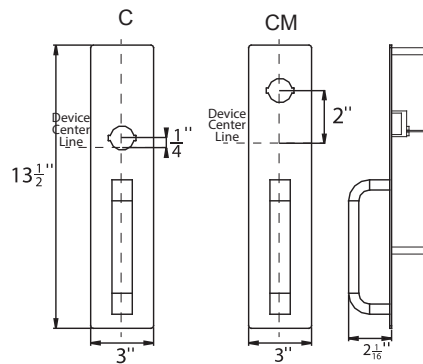
01C / 01CM / 01CV



02C / 02CM / 02CV



03C / 03CM / 03CV



W/WM Trim

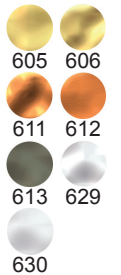
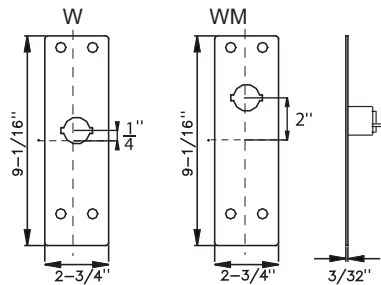
W/WM Trim not available with 70 and 80 Series



01W / 01WM



03W / 03WM

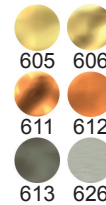
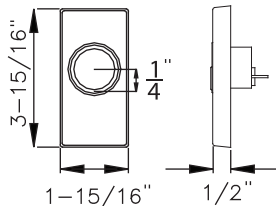


WS/WSV Trim

WS Trim not available with 30 Series

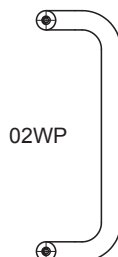


03WS / 03WSV

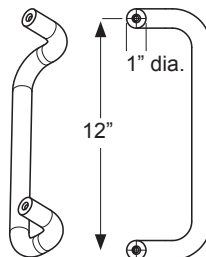


WP Trim

WP Trim available with 70/80 Series only



02WP



630

Z Trim

Z Trim (Vandal Pull) available with 10/20/21 Series only
 *Available in 630 (Brushed Stainless Steel) Only

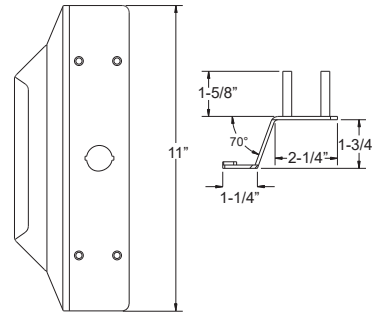
02Z and 03Z Trims are shipped RHR unless specified LHR



02Z
Specify Handing



03Z
Specify Handing



BHMA Function/Description

- 01 - Exit only, no trim or blank escutcheon
- 02 - Entrance by trim when actuating bar is locked down (dummy trim)
- 03 - Entrance by trim when latch bolt is released by key. Key removable only when locked.

Technical Information


- C and W Trims are Stainless Steel
- WS Trims are Forged Brass
- When ordered with device, trim will match mounting plate specified
- Wide stile trim configured for use with BP1 or BP7 (when ordered with 03 function) - standard on 10, 20/21 Series, BP11 or BP13 (when ordered with 03 function) - standard on 70, 80/81/82/83 Series
Call factory for retrofit applications

Finishes

605 / US3	Polished Brass
606 / US4	Brushed Brass
611 / US9	Polished Bronze
612 / US10	Brushed Bronze
613 / US10B	Oil Rubbed Bronze
626 / US26D	Brushed Chrome
629 / US32	Polished Stainless Steel
630 / US32D	Brushed Stainless Steel

Where Trust is Built™
DETEX®
Life Safety and Security Door Hardware

Detex Corporation
 302 Detex Drive
 New Braunfels, Texas 78130-3045 USA
 PH. (830) 629-2900
 (800) 729-3839
 FAX (800) 653-3839
<http://www.detex.com>
 USA Sales:
marketing@detex.com
 International Sales:
export@detex.com

 Cancer & Reproductive Harm - www.detex.com/prop65



NARROW STILE LEVER TRIM DESIGNS

Assorted outside trims provide security for all types of installations. Built to be as durable as the panic devices, these heavy-duty trims will stand up to heavy use and abuse. The versatile design of the trims, combined with the device mounting plate, makes changing functions as simple as replacing the outside trim. This can easily be done without removing the exit device from the door. Narrow stile trims can be used on 40 Series Rim, 50 / 51 Series Surface Vertical Rods and 60 / 61 / 62 / 63 Concealed Vertical Rods. Detex uses the BHMA functions/descriptions for all trims. Anti-Microbial Coating (AM) is available on all levers - contact factory for lead time and details.

DN / DNV / EU2W Trim

S Lever Standard

01DN

02DN, 02DNV
14DN, 14DNV

08DN, 08DNV
09DN, 09DNV,

EU2W - wide
escutcheon
for 40/50/51
Series only

*For use on
doors with
minimum
3-1/2" stile

1 7/8"

8 1/4"

7/8"

S Lever

4 3/8"

2 15/16"

1/2"

605 606 611 612 613
626 629 693 695

T Lever

4 25/32"

3 1/8"

1/2"

605 606 611 612 613
626 629 693 695

U Lever

4 21/32"

1 1/32"

1/2"

605 606 611 612 613
626 629 693 695

Q Lever

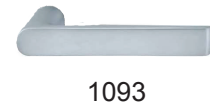
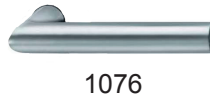
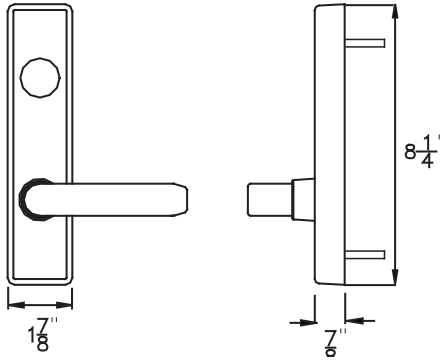
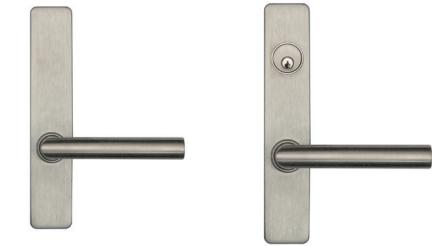
3 5/8"

3 1/8"

626

- | | |
|-------------|--------------------------|
| 605 / US3 | Polished Brass |
| 606 / US4 | Brushed Brass |
| 611 / US9 | Polished Bronze |
| 612 / US10 | Brushed Bronze |
| 613 / US10B | Oil Rubbed Bronze |
| 626 / US26D | Brushed Chrome |
| 629 / US32 | Polished Stainless Steel |
| 693 / SPBLK | Black Painted |
| 695 / SP313 | Dark Bronze Painted |

FSB Contemporary/European Designed Levers (630/US32D Brushed Stainless Steel Finish)



FSB Lever Trims available in only 630/US32D Brushed Stainless Steel

BHMA Function/Description

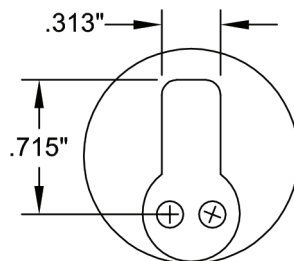
- 01 - Exit only, no trim or blank escutcheon
- 02 - Entrance by trim when actuating bar is dogged (dummy)
- 08 - Entrance by lever. Key locks or unlocks lever. (classroom)
- 09 - Entrance by knob or lever only when released by key. Key removable only when locked. (storeroom)
- 14 - Entrance by trim when latch bolt is released by ever. Always active, no cylinder. (passage)
- EU2W - Electric Lock / Unlock, wide escutcheon - Fail Secure or Fail Safe - Specify handing (Not field reversible)

LS Lever Switch

- Monitors the lever and sends a signal to access control when lever is rotated
- Available on 08DN, 09DN, 14DN and EU2W levers only
- Not retrofittable or field reversible - must specify handing

Technical Information

- DN Trims are Forged Brass
- KN - Knurling available on all levers
- Advantex narrow stile trim also available for use with all Value Series Devices
- When ordered with device, trims will match mounting plate specified
- Narrow stile trim configured for use with BP2 - Standard for use on 40, 50/51 Series, BP10 - Standard for use on 60/61, 62/63 Series
- A short cylinder collar is supplied for mortise cylinders 1" to 1-1/8" long. For cylinders greater than 1-1/8", order tall cylinder collar part #100752-X



Mortise Cylinder with standard Yale cam required



Detex Corporation
 302 Detex Drive
 New Braunfels, Texas 78130-3045 USA
 PH. (830) 629-2900
 (800) 729-3839
 FAX (800) 653-3839
 http://www.detex.com
 USA Sales:
 marketing@detex.com
 International Sales:
 export@detex.com

Cancer & Reproductive Harm - www.detex.com/prop65

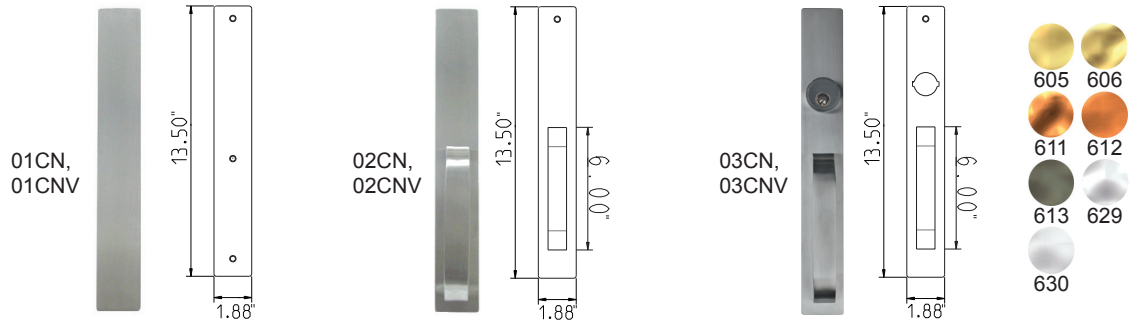


NARROW STILE OUTSIDE PULL & PLATE TRIM DESIGNS

Assorted outside trims provide security for all types of installations. Built to be as durable as the panic devices, these heavy-duty trims will stand up to heavy use and abuse. The versatile design of the trims, combined with the device mounting plate, makes changing functions as simple as replacing the outside trim. This can easily be done without removing the exit device from the door. Narrow stile trims can be used on 40 Series Rim, 50 / 51 Series Surface Vertical Rods and 60 / 61 / 62 / 63 Concealed Vertical Rods. Detex uses the BHMA functions/descriptions for all trims.

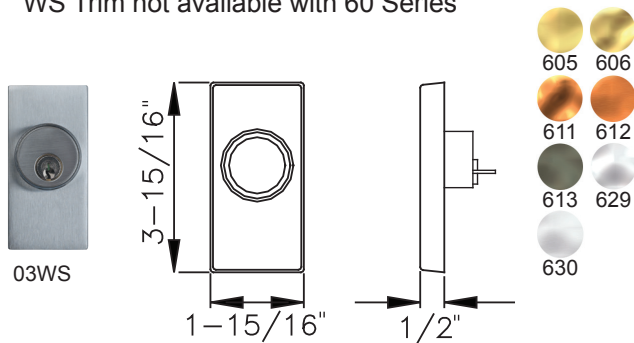
CN / CNV TRIM

(Anti-Microbial Coating available)



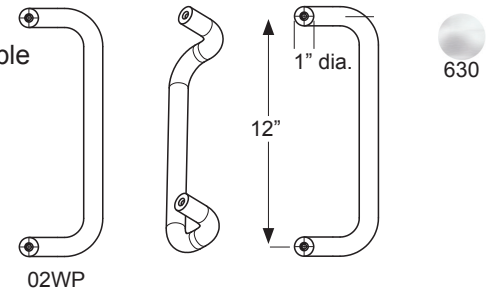
WS Trim

WS Trim not available with 60 Series



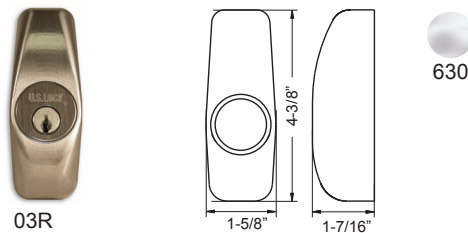
WP Trim

WP Trim available with 60 Series only



R Trim

R Trim available with 60 Series only



BHMA Function/Description


- 01 - Exit only, no trim or blank escutcheon
- 02 - Entrance by trim when actuating bar is locked down (dummy)
- 03 - Entrance by trim when latch bolt is released by key. Key removable only when locked.
- 08 - Entrance by knob or lever. Key locks or unlocks knob or lever.
- 09 - Entrance by knob or lever only when released by key. Key removable only when locked.
- 10 - Entrance by lever. Inside or outside key locks or unlocks lever.
- 14 - Entrance by trim when latch bolt is released by knob or lever. Always active, no cylinder.
- EU2W - Electric Lock / Unlock, wide escutcheon - Fail Secure or Fail Safe

Technical Information

- CN Trims are Stainless Steel
- DN and WS Trims are Forged Brass
- KN - Knurling available on all levers
- Narrow stile trim configured for use with BP2 or BP8 (when ordered with 03 function) - Standard for use on 40, 50/51 Series, BP10 or BP12 (when ordered with 03 function) - Standard for use on 60/61, 62/63 Series
Call factory for retrofit applications
- Advantex narrow stile trim also available for use with all Value Series Devices
- When ordered with device, trims will match mounting plate specified

Finishes

605 / US3	Polished Brass
606 / US4	Brushed Brass
611 / US9	Polished Bronze
612 / US10	Brushed Bronze
613 / US10B	Oil Rubbed Bronze
629 / US32	Polished Stainless Steel
630 / US32D	Brushed Stainless Steel

 Cancer & Reproductive Harm - www.detex.com/prop65

November 19, 2019

Where Trust is Built™
DETEX®
Life Safety and Security Door Hardware

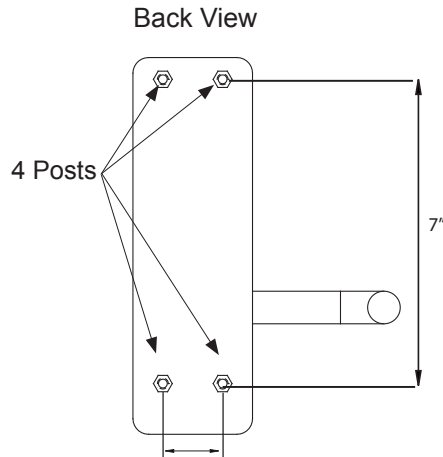
Detex Corporation
302 Detex Drive
New Braunfels, Texas 78130-3045 USA
PH. (830) 629-2900
(800) 729-3839
FAX (800) 653-3839
<http://www.detex.com>
USA Sales:
marketing@detex.com
International Sales:
export@detex.com



EU, EUV or EUxDM

ELECTRIC UNLOCK TRIM

Provides remote means of locking or unlocking a door for authorized entry, access control, security or safety needs when used in conjunction with any Detex wide stile rim (10 Series), surface vertical rod (20 Series), mortise (30 Series - specify EUxDM) or concealed vertical rod (70/71, 80/81, 82/83 Series - specify EUV) exit device. Perfect for use on fire-rated doors, such as stairwell doors, allowing emergency entry after fire alarm activates fail safe trim. Excellent source of security for stairwell doors, elevator lobbies, or other access control systems used in installations in schools, universities, hospitals, retail, industrial, etc.



For use with 10 Series Rim, 20/21 Series Surface Vertical Rod, 30 Series Mortise, and 70/71/80/81/82/83 Series Concealed Vertical Rod Exit Devices

Benefits

- Retrofits over existing Detex lever trim
- Clutching trim limits vandalism
- Key override for emergency entrance during loss of power (FSE)

Features

- Cylinder override
- Spring loaded tailpiece
- Vandal resistant break-away type lever

Mechanical Options

- Not Field Reversible
- EU - Comes standard as D Trim, with S style Lever and Fail Secure (FSE), for use with Detex wide stile (10 Series) Rim or (20 Series) Surface Vertical Rod Device
- EU x DM - Comes with S style lever, for use with Detex (30 Series) Mortise Exit Device
- EU x DT or DU - Comes with T style or U style lever, for use with Detex wide stile (10 Series) Rim or (20 Series) Surface Vertical Rod Device
- EUV - Comes standard as D Trim, with S style Lever and Fail Secure (FSE), for use with Detex wide stile (70/71, 80/81, 82/83 Series) Concealed Vertical Rod Device
- EUV x DT or DU - Comes with T style or U style lever, for use with Detex wide stile (70/71, 80/81, 82/83 Series) Concealed Vertical Rod Device
- EU x DMT or DMU - Comes with T style or U style lever, for use with Detex (30 Series) Mortise Exit Device
- KN - Knurling available on all levers

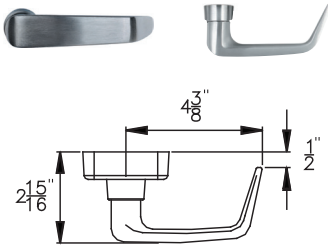
Electrical Options

- Fail Secure (FSE) - During power failure, device will be locked (Security option) ex: EU x FSE x DU
- Fail Safe (FSA) - During power failure or fire alarm activation, the trim will always be unlocked. (Life Safety option) ex: EU x FSA x DM
- Not Field Selectable
- Not Field Selectable

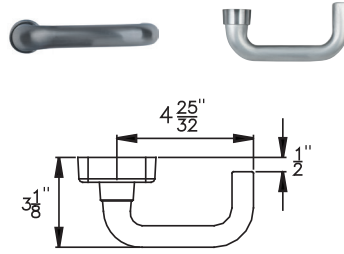


Lever Options

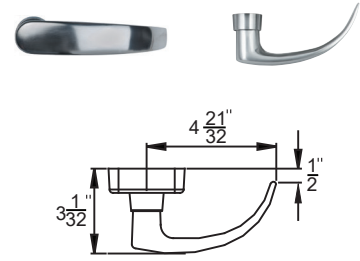
S Lever



T Lever



U Lever



Accessories

- MC65 - Mortise Cylinder
- IC7 - 7-pin Mortise Cylinder Housing (Core not included)
- 80-800 - 24 VDC power supply with battery charging circuit
- 90-800 - 24 VDC power supply without battery charging circuit
- CCL - Long cylinder collar (11/16")
- SE-2 - Shaft extension for 2 to 2 1/2" thick doors

Finishes

605 / US3	Polished Brass	612 / US10	Brushed Bronze	629 / US32	Polished Stainless Steel
606 / US4	Brushed Brass	613 / US10B	Oil Rubbed Bronze	630 / US32D	Brushed Stainless Steel
611 / US9	Polished Bronze				

LS Lever Switch

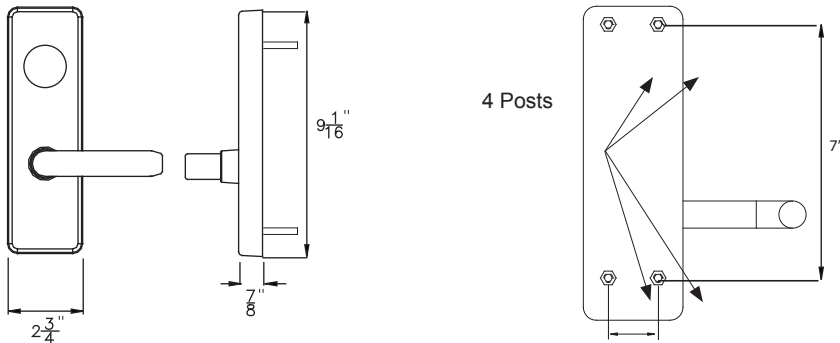
- Monitors the lever and sends a signal to access control when lever is rotated
- Not retrofittable or field reversible - must specify handing

Dimensions

Front View

Side View

Back View

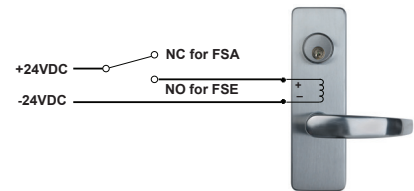


* See Detex website for EU How To Order

Technical Information

- 24VDC / 150ma continuous duty
- 12VDC / 310ma continuous duty

Wiring Diagram



Listings and Approvals

UL1034-34 Temperature Section 34
[Temperature Range -31°F (-35° C) to 150° F (+66° C)]

UL1034-54 Dust Section 54

MIL-STD 810F (G), Method 509.4
(Salt Fog Test)

MIL-STD 810F (G), Method 506.4
(Driving Rain), Procedure 1

Detex Limited Warranty

10 Year Mechanical/3 Year Electrical
Limited Manufacturer's Warranty

Where Trust is Built™
DETEX®
Life Safety and Security Door Hardware

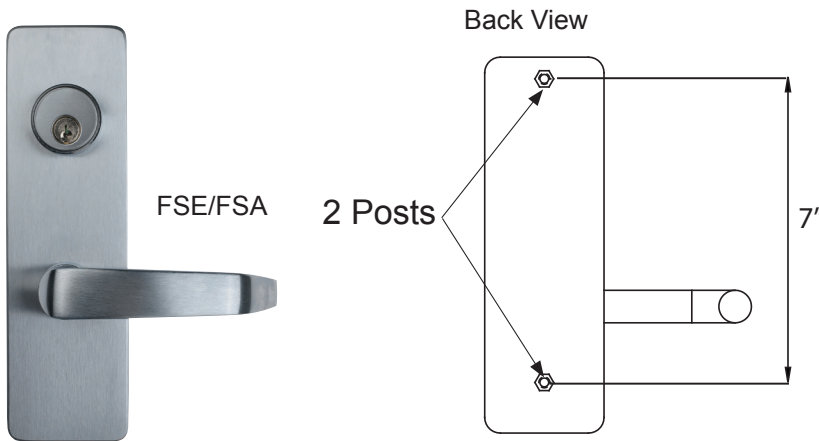
Detex Corporation
302 Detex Drive
New Braunfels, Texas 78130-3045 USA
PH. (830) 629-2900
(800) 729-3839
FAX (800) 653-3839
http://www.detex.com
USA Sales:
marketing@detex.com
International Sales:
export@detex.com

⚠ Cancer & Reproductive Harm - www.detex.com/prop65

EU2W

ELECTRIC UNLOCK TRIM

Provides remote means of locking or unlocking a door for authorized entry, access control, security or safety needs when used in conjunction with any Detex 40/V40 Series rim or 50/51/V50/V51 Series surface vertical rod exit device on doors with a minimum stile width of 4". Perfect for use on fire-rated doors, such as stairwell doors, allowing emergency entry after fire alarm activates fail safe trim. Excellent source of security for access control systems used in installations in schools, universities, hospitals, retail, industrial, etc.



For use ONLY on wide stile glass doors, wood doors, and hollow metal doors (not for use with narrow stile doors)

For use with 40/V40 Series Rim, and 50/51/V50/V51 Series Surface Vertical Rod Exit Devices

Benefits

- Clutching trim limits vandalism
- Key override for emergency entrance during loss of power (FSE)

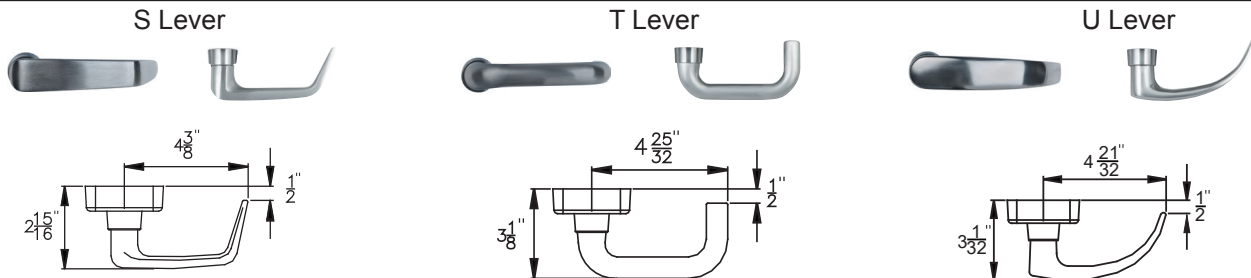
Features

- Cylinder override
- Spring loaded tailpiece
- Vandal resistant break-away type lever

Mechanical Options

- EU2W - Comes standard as D Trim, with S style Lever and Fail Secure (FSE), for use with Detex 40/V40 Series Rim or 50/51/V50/V51 Series Surface Vertical Rod Device
- EU2W x DT or DU - Comes with T style or U style lever, for use with Detex 40/V40 Series Rim or 50/51/V50/V51 Series Surface Vertical Rod Device
- KN - Knurling available on all levers
- Not Field Reversible

Lever Options



Electrical Options

- Fail Secure (FSE) - During power failure, device will be locked (Security option) ex: EU x FSE
- Fail Safe (FSA) - During power failure or fire alarm activation, the trim will always be unlocked. (Life Safety option) ex: EU x FSA
- Not Field Selectable
- Not Field Selectable

Accessories

- MC65 - Mortise Cylinder
- IC7 - 7-pin Mortise Cylinder Housing (Core not included)
- 80-800 - 24 VDC power supply with battery charging circuit
- 90-800 - 24 VDC power supply without battery charging circuit
- CCL - Long cylinder collar (11/16")
- SE-2 - Shaft extension for 2 to 2 1/2" thick doors

Finishes

605 / US3	Polished Brass	612 / US10	Brushed Bronze	629 / US32	Polished Stainless Steel
606 / US4	Brushed Brass	613 / US10B	Oil Rubbed Bronze	630 / US32D	Brushed Stainless Steel
611 / US9	Polished Bronze				

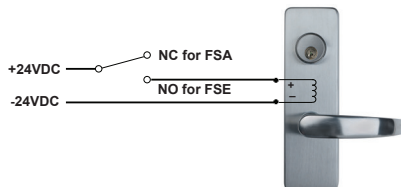
LS Lever Switch

- Monitors the lever and sends a signal to access control when lever is rotated
- Not retrofittable or field reversible - must specify handing

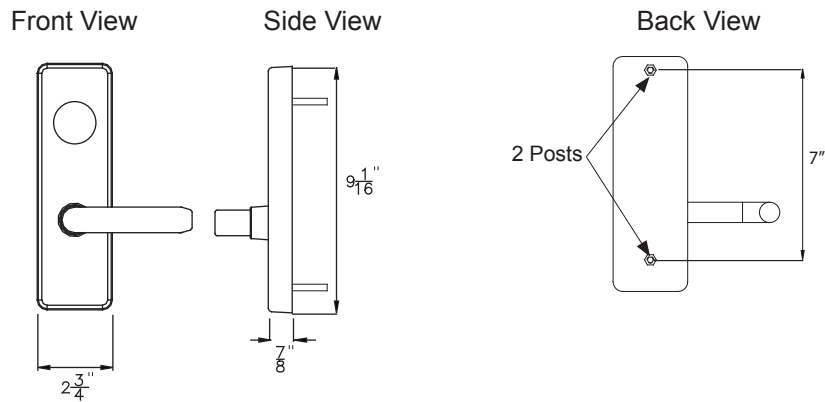
Technical Information

- 24VDC / 150ma continuous duty
- 12VDC / 310ma continuous duty

Wiring Diagram



Dimensions



* See Detex website for EU How To Order

Listings and Approvals

UL1034-34 Temperature Section 34
[Temperature Range -31°F (-35° C) to 150° F (+66° C)]

UL1034-54 Dust Section 54

MIL-STD 810F (G), Method 509.4
(Salt Fog Test)

MIL-STD 810F (G), Method 506.4
(Driving Rain), Procedure 1

Detex Limited Warranty

10 Year Mechanical/3 Year Electrical
Limited Manufacturer's Warranty

 Cancer & Reproductive Harm - www.detex.com/prop65

December 5, 2019

Where Trust is Built™
DETEX®
Life Safety and Security Door Hardware

Detex Corporation
302 Detex Drive
New Braunfels, Texas 78130-3045 USA
PH. (830) 629-2900
(800) 729-3839
FAX (800) 653-3839
<http://www.detex.com>
USA Sales:
marketing@detex.com
International Sales:
export@detex.com



Electrified Options Definitions

EA	Exit Alarm with 9VDC/12VAC, Remote Bypass and Remote Signal Relay
EB W	Weatherized Exit Alarm With Battery
ED	Electric Dogging
EE	Electric Delayed Egress
EEX	Delayed/Controlled Egress without Electromagnetic Lock
EEX-W	Weatherized Delayed/Controlled Egress without Electromagnetic Lock
EE ER	Electric Delayed Egress with Latch Retraction
EI	Electric Integration - Includes ES Switches, piezo, key switch and 2 LEDs
EM	Electric Delayed Egress with Magnetic Lock (Discontinued - See EE)
ER EX	Electric Latch Retraction with Request To Exit Switch
ER EX W	Weatherized Electric Latch Retraction with Request To Exit Switch
ERK	Electric Latch Retraction Conversion Kit
ES	Electric Switching
EX/EXV	Request to Exit / Request to Exit High Current/Voltage
EX W/EXV W	Weatherized Request to Exit / Weatherized Request to Exit High Current/Voltage
LX/LXV	Latch Bolt Monitor / Latch Bolt Monitor High Current/Voltage
EU	Electric Unlock Trim
EU2W	Electric Unlock Trim (Used with Advantex 40/50/51 Series, on doors with 4" minimum stile width)

All Electrified Options are available on Fire Exit Hardware and Hurricane Rated Devices



Exit Alarm (EA)

The Exit Alarm (EA) device option is designed for areas that require a stand-alone alarm on an emergency exit door. The alarm will sound when someone attempts to exit a door by depressing the pushpad, alerting management that violation has occurred. The internal alarm with remote signal and remote bypass capabilities is ideal for doors where both security and life safety are a concern.



10 Series Rim Exit Device shown
Shown with Factory Installed Mortise Cylinder - Sold Separately

Available with 10/40 Rim, 30 Mortise, 20/21/50/51 Surface Vertical Rod Devices and 60/61/62/63/70/71/80/81/82/83 Concealed Vertical Rod Devices

Benefits

- Controls foot traffic, deters unauthorized exits, prevents loss and meets building code requirements
- Reduces employee and customer theft
- One cylinder provides arming, disarming and dogging
- Fast and easy installation saves time and money
- Durable electronics provide years of trouble-free service, saving on replacement costs

Features

- Powered by standard 9-volt battery or 12V or 24V AC/DC power with 9-volt battery backup
- 100dB alarm
- State-of-the-art electronics offer reliable security and instantaneous alarm
- Arming delay - Factory default is 15 second delay after key reset. 1 second or 5 second delays also available. Call factory
- Manual/Auto Rearming - Factory default is field-selectable for manual key arming or 2 minute auto rearm. 10 minute and 20 minute auto rearm also available. Call Factory
- Mortise cylinder key switch arming
- Through-wire hinge or power transfer compatible
- Low Battery Alert (Audible/Visual)
- Visual and audible arming indicators

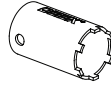
Mechanical Options

- CD - Cylinder Dogging
 - LD - Less Dogging
 - SLR - Silencer
 - KS - Key Stop (Key removed only when armed)
 - Add to existing 10/20/21/30/40/50/51 device by adding EA slide-in filler (specify finish and door width)
 - FC3EC1 - Flexible 3' Conduit Kit, includes EC1 ramped end cap (specify finish)
 - FC3EC2 - Flexible 3' Conduit Kit, includes EC2 flush end cap (specify finish)
 - FC10EC1 - Flexible 10' Conduit Kit, includes EC1 ramped end cap (specify finish)
 - FC10EC2 - Flexible 10' Conduit Kit, includes EC2 flush end cap (specify finish)
 - PT5 - Concealed mortise mount power transfer
 - EH8 - Five-knuckle energy transfer hinge - 8 wires
- For full list of available mechanical options, see individual device how to order page

Accessories

- MC65 - Factory Installed Mortise Cylinder

- Optional Cylinder Nut Wrench
P/N: 103779

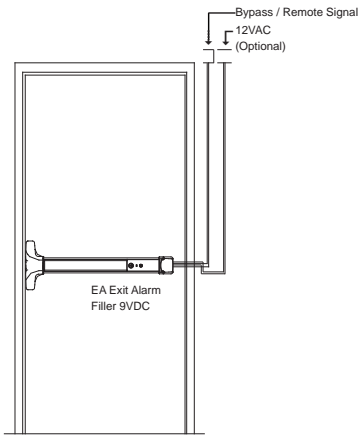


- PP-5152-3 - 12 VAC Transformer
- PP-5152-2 - 24 VAC Transformer

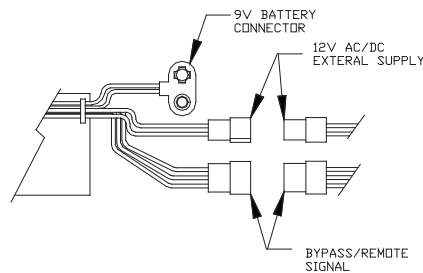
Device Finishes

605 / US3	Polished Brass	628 / US28	Aluminum Satin	693 / SPBLK	Black, Painted
606 / US4	Brushed Brass	629 / US32	Polished Stainless Steel	695 / SP 313	Dark Bronze, Painted
611 / US9	Polished Bronze				
612 / US10	Brushed Bronze	630 / US32D	Brushed Stainless Steel		
613 / US10B	Oil Rubbed Bronze				

Riser Diagram



Power Connections



Listings and Approvals

See individual device (i.e. 10 Series) catalog page for fire and panic listings and windstorm ratings/ approvals

Detex Limited Warranty

10 Year Mechanical/3 Year Electrical Limited Manufacturer's Warranty



Detex Corporation
 302 Detex Drive
 New Braunfels, Texas 78130-3045 USA
 PH. (830) 629-2900
 (800) 729-3839
 FAX (800) 653-3839
 http://www.detex.com
 USA Sales:
 marketing@detex.com
 International Sales:
 export@detex.com

Cancer & Reproductive Harm - www.detex.com/prop65



Weatherized Alarmed Rim Exit Device (EB W)

The **EB W** device is designed for doors and gates requiring a stand alone, battery powered, alarmed, weatherized panic device. The **100dB alarm** will sound when someone attempts to exit, alerting management to the unauthorized exit. The internal alarm with both remote bypass and remote signaling capabilities is ideal for applications where both security and life safety are a concern. In addition to listing as UL panic and fire exit hardware device, this device conforms to UL1034-34 Temperature Section 34, UL1034-54 Dust Section 54, MIL-STD 810F, Method 506.4 (driving rain test); MIL-STD 810F, Method 509.4 (salt fog test) and UBC standard 7-2 (positive pressure).



Wide Stile shown, for Narrow Stile, specify NS Option
(for use on 36" and 48" doors with 2" stiles).

Available with 10/40 Series Rim, 30 Series Mortise, 20/21/50/51 Series Surface Vertical Rod Devices and 60/61/62/63/70/71/80/81/82/83 Series Concealed Vertical Rod Devices

Benefits

- Weather resistant loss prevention hardware designed for use in outdoor or wet environments
- Provides reliable loss prevention protection 24 hours a day
- Controls foot traffic to deter unauthorized exits and reduces employee and customer theft
- Rugged, durable, corrosion-resistant design reduces maintenance
- Fast and easy installation saves time and money

Features

- Powered by standard 9-volt battery
- 100dB alarm
- Visual and audible arming indicators
- Stainless steel, self-latching bolt
- Indefinite alarm requiring manual rearm or variable 2 min. alarm duration with auto re-arm
- Tamper-resistant housing protects electronics, battery and internal hardware, preventing manipulation
- Angled end cap deflects damage
- Cylinder dogging standard (can also be ordered less dogging)
- Tapered design sheds rainwater
- Tamper-resistant, immersion-proof security switches
- Plated steel, anodized aluminum and ABS components endure heavy use and exposure to the elements
- Visual and audible low battery alert
- Covers a 161 door prep
- Armed and disarmed field selectable status indicator

Mechanical Options

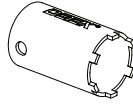
- CD - Cylinder Dogging (Std.)
 - LD - Less Dogging
- For full list of available mechanical options, see individual device how to order page

Electrical Options

- Remote Signal Form C signaling when alarm sounds and remote bypass input allows authorized use without an alarm - standard feature
- GTPLKIT - Adjustable Gate Plate

Accessories

- SN1 - Sex Nut Fasteners
- KS - Key Stop - key removed only when armed
- Optional Cylinder Nut Wrench P/N: 103779
- Outside Trim (see Advantex Trim Options)



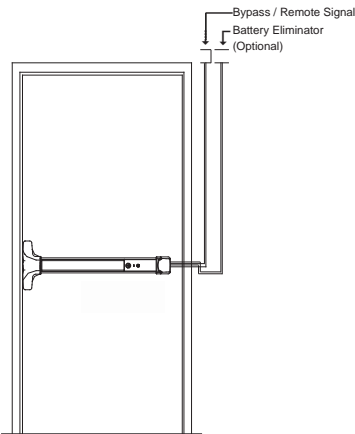
Device Finishes

605 / US3 Polished Brass	628 / US28 Aluminum Satin	693 / SPBLK Black, Painted
606 / US4 Brushed Brass	629 / US32 Polished Stainless Steel	695 / SP 313 Dark Bronze, Painted
611 / US9 Polished Bronze	630 / US32D Brushed Stainless Steel	
612 / US10 Brushed Bronze		
613 / US10B Oil Rubbed Bronze		

Technical Information

- 2" Aluminum doors need to be ordered as a narrow stile (NS)
- Door Thickness - Fits standard 1-3/4" - 2-1/4"
- Door Stile - Fits 2" narrow stile doors with 98 semi-mortise strike - Specify NS
- Door Stile - Fits standard door with 99 surface strike (Std.)
- Exceeds MIL810F Method 509.4 Salt Fog Test (simulating effects of corrosive environments similar to atmospheric conditions found in coastal regions)
- Door Types - Wood, Hollow Metal, Fiberglass
- Machine and Self Drilling Screws (Std.)
- Exceeds MIL810F Method 506.4 Driving Rain (simulating 4"/hr. rain w/40mph wind)
- Optional Sex Nuts or Security Torx Screws available

Riser Diagram



Listings and Approvals


See individual device (i.e. 10 Series) catalog page for fire and panic listings and windstorm ratings/ approvals

Detex Limited Warranty

10 Year Mechanical/3 Year Electrical Limited Manufacturer's Warranty



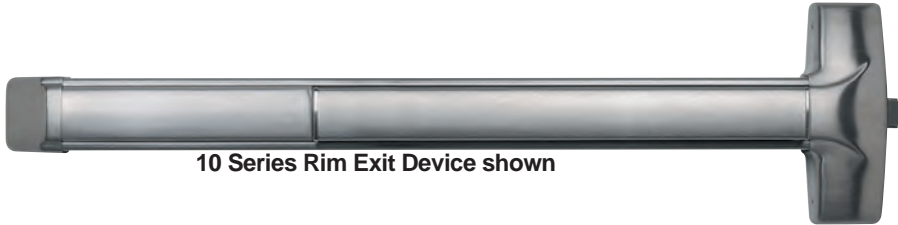
Detex Corporation
 302 Detex Drive
 New Braunfels, Texas 78130-3045 USA
 PH. (830) 629-2900
 (800) 729-3839
 FAX (800) 653-3839
<http://www.detex.com>
 USA Sales:
marketing@detex.com
 International Sales:
export@detex.com

 Cancer & Reproductive Harm - www.detex.com/prop65



Electric Dogging (ED)

The Electric Dogging (ED) device option is designed for entrance and exit doors with panic or fire exit hardware. When energized, and after the pushpad is depressed, the pushpad and the latch bolt remain retracted, providing push-pull operation. Relocking all devices is accomplished by using a single switch or through a fire alarm input.



10 Series Rim Exit Device shown

Available with 10/40 Rim, 30 Mortise, 20/21/50/51 Surface Vertical Rod Devices and 60/61/62/63/70/71/80/81/82/83 Concealed Vertical Rod Devices

Benefits

- One-touch operation turns any secured door or group of doors into push-pull openings and releases them as required
- Door remains locked until first activation of pushpad (exit)
- Fast and easy installation saves time and money
- Economical alternative to latch retraction when only dogging is required
- Pushpad remains depressed while latch is retracted, preventing unnecessary cycling, for quieter operation

Features

- Maintained latch and pushpad retraction
- Continuous duty magnet
- Operates on 24VAC or 24VDC

Mechanical Options

- PT5 - Concealed mortise mount power transfer
 - FC3EC2 - Flexible 3' Conduit Kit, includes EC2 flush end cap (specify finish)
 - LF - Less Flex Conduit (Std.)
 - EH8 - Five-knuckle energy transfer hinge - 8 wires
 - FC10EC1 - Flexible 10' Conduit Kit, includes EC1 ramped end cap (specify finish)
 - AL18 - Surface Armored Loop (Door/Frame mounted)
 - FC3EC1 - Flexible 3' Conduit Kit, includes EC1 ramped end cap (specify finish)
 - FC10EC2 - Flexible 10' Conduit Kit, includes EC2 flush end cap (specify finish)
- For full list of available mechanical options, see individual device how to order page

Electrical Options

- Request to Exit (EX)
- 90-800 Power Supply - 24VDC filtered, regulated with fire loop connection
- PP-5152-2 24VAC Transformer

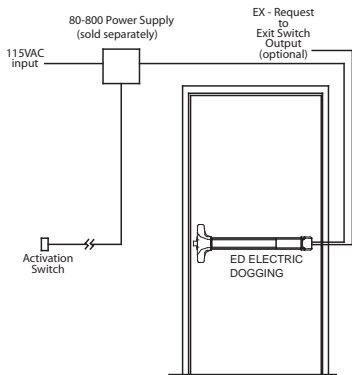
Technical Information

- Fire rated devices require fire alarm panel interface for fire code compliance

Device Finishes

605 / US3	Polished Brass	628 / US28	Aluminum Satin	693 / SPBLK	Black, Painted
606 / US4	Brushed Brass	629 / US32	Polished Stainless Steel	695 / SP 313	Dark Bronze, Painted
611 / US9	Polished Bronze				
612 / US10	Brushed Bronze	630 / US32D	Brushed Stainless Steel		
613 / US10B	Oil Rubbed Bronze				

Riser Diagram



Listings and Approvals

See individual device (i.e. 10 Series) catalog page for fire and panic listings and windstorm ratings/approvals

Detex Limited Warranty

10 Year Mechanical/3 Year Electrical Limited Manufacturer's Warranty

Where Trust is Built™
DETEx®
Life Safety and Security Door Hardware

Detex Corporation
302 Detex Drive
New Braunfels, Texas 78130-3045 USA
PH. (830) 629-2900
(800) 729-3839
FAX (800) 653-3839
<http://www.detex.com>
USA Sales:
marketing@detex.com
International Sales:
export@detex.com

 Cancer & Reproductive Harm - www.detex.com/prop65



Delayed Egress Rim Exit Device (EE)

The Delayed Egress Rim Exit Device (EE) is designed for **primary and secondary exits** and provides a secure **15-second delay** and a **100dB alarm** when someone attempts to exit. This 15-second delay allows time for management to respond to the alarm before someone exits and the alarm deters the exit from occurring. Per life safety requirements, the EE must be provided with a fire alarm input, thus providing a system override during a fire emergency. The EE provides security while meeting all life safety concerns, offering an exceptional value.



Available with 10/40 Rim, 30 Mortise, 20/21/50/51 Surface Vertical Rod Devices and 60/61/62/63/70/71/80/81/82/83 Concealed Vertical Rod Devices

Power Supply Included as standard feature
Shown with factory installed mortise cylinder

Benefits

- Fast and easy installation saves time and money
- Secure installation prevents mistakes, enhances security and reduces maintenance
- Provides immediate egress while securing against entry during a power failure/fire alarm
- Fits almost any door in any décor
- Durable design provides years of trouble-free protection, saving on replacement costs
- One cylinder provides arming, disarming and dogging
- Controls foot traffic, deters unauthorized exits, prevents loss and meets building code requirements
- Can be combined with ER Option and operator to provide Delayed Egress and an automatic door (See EExER option)

Features

- Powered by a 24VDC filtered and regulated power supply
- Accommodates all types of mortise cylinders with a standard Yale cam
- 9V battery provides alarm function only in case of power failure
- Panic device and power supply have passed testing for electrostatic discharge (ESD) by an independent testing laboratory
- Single mortise cylinder provides arming and dogging - can be factory installed
- Armed and disarmed field selectable status indicator
- Power supply delivers a constant 24VDC of filtered and regulated voltage at a rated load of 1A, including ripple rejection and transient noise suppression circuitry
- State-of-the-art electronics offer reliable security and instantaneous alarm
- Remote signal output and remote bypass input standard
- Stainless steel, 3/4" deadlocking Pullman-type latch bolt
- Visual and audible arming indicators
- Alarm triggered by latch bolt or pushpad movement
- Non-handed, field sizeable
- 100dB alarm
- Fire alarm input can be connected at power supply or panic bar
- 1/8 turn cylinder dogging
- Includes delayed egress panic bar, 24VDC filtered and regulated power supply, and door sign
- Delayed arming allows arming after door closes

Electrical Options

- 30 - 30 second delayed egress prior approval letter from Authority Having Jurisdiction required
- EE05 Options Package - Non-extended bypass, alarm sounds if door left open / silent arming / reset alarm with access control, or reset alarm with key only
- Silent arming (3 chirps when arming Std.)
- AL18 - Surface Armored Loop (Door/Frame mounted)
- SI- Status Indicators - Armed/Disarmed



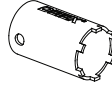
Mechanical Options

- MC65 - Factory Installed Mortise cylinder
- IC7 - Factory Installed IC Housing
- SLR - Silencer
- CD - Cylinder Dogging (Std.)
- LD - Less Dogging
- KS - Key Stop (Key removed only when armed)
- PT5 - Concealed mortise mount power transfer
- EH8 - Five-knuckle energy transfer hinge - 8 wires
- FC3EC1 - Flexible 3' Conduit Kit, includes EC1 ramped end cap (specify finish)
- FC3EC2 - Flexible 3' Conduit Kit, includes EC2 flush end cap (specify finish)
- FC10EC1 - Flexible 10' Conduit Kit, includes EC1 ramped end cap (specify finish)
- FC10EC2 - Flexible 10' Conduit Kit, includes EC2 flush end cap (specify finish)

For full list of available mechanical options, see individual device how to order page

Accessories

- SN1 - Sex Nut fasteners
- Outside trim options (See Advantex Trim Options)
- Optional Cylinder Nut Wrench P/N: 103779
- Foreign Language Signs available Contact Factory



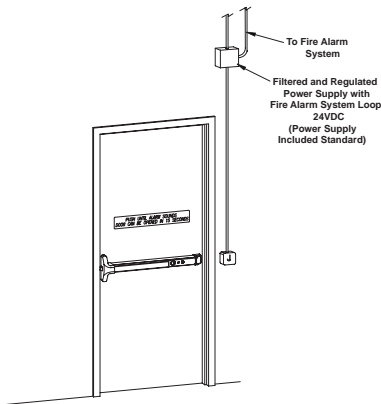
Technical Information

- Door Types - Wood, Hollow Metal, Fiberglass or Aluminum
- Door Stile - See applicable device page
- Machine and Self-Drilling fasteners (Std.)
- Door Thickness - Fits standard 1 3/4" - 2 1/4"
- Optional Sex Nuts or Security Torx Screws available

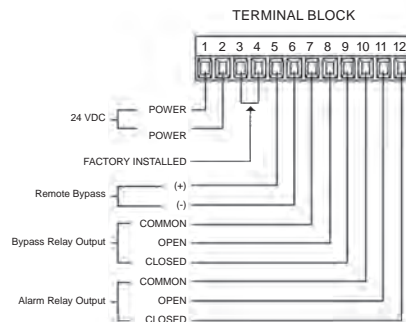
Device Finishes

605 / US3	Polished Brass	628 / US28	Aluminum Satin	693 / SPBLK	Black, Painted
606 / US4	Brushed Brass	629 / US32	Polished Stainless Steel	695 / SP 313	Dark Bronze, Painted
611 / US9	Polished Bronze	630 / US32D	Brushed Stainless Steel		
612 / US10	Brushed Bronze				
613 / US10B	Oil Rubbed Bronze				

Riser Diagram



Terminal Block



Detex Limited Warranty

10 Year Mechanical/3 Year Electrical Limited Manufacturer's Warranty

Listings and Approvals

See individual device (i.e. 10 Series) catalog page for fire and panic listings and windstorm ratings/ approvals

Where Trust is Built™
DETEX®
Life Safety and Security Door Hardware

Detex Corporation
 302 Detex Drive
 New Braunfels, Texas 78130-3045 USA
 PH. (830) 629-2900
 (800) 729-3839
 FAX (800) 653-3839
<http://www.detex.com>
 USA Sales:
marketing@detex.com
 International Sales:
export@detex.com

Cancer & Reproductive Harm - www.detex.com/prop65



Delayed Egress Without Electromagnetic Lock (EEX) Controlled Egress Without Electromagnetic Lock (EEX)

The EEX feature provides an internal blocking kit in the panic lock for use with Rim, Surface Vertical Rod (SVR), Mortise or Concealed Vertical Rod (CVR) devices. EEX is perfect for use with Delayed Egress applications such as retail and healthcare. EEX can also be used in Controlled Egress applications in psychiatric areas, dementia units, memory care facilities, birthing centers, NICUs and other healthcare facilities where code officials have final approval. EEX permits these applications to provide the safety and/or security where occupants' safety is a main concern. The EEX does not include logic circuitry. A **logic controller is required**, such as the Series 800 Power Supply/Logic Controller, and **must be connected to fire alarm override**.



Commonly used with 12-800 Power Supply/Logic Controller (required but sold separately)



10 Series Rim Exit Device Shown



Available with 10/40 Rim, 30 Mortise, 20/21/27/50/51 Surface Vertical Rod, and 60/61/62/63/70/71/80/81/82/83/87 Concealed Vertical Rod Devices

Can be used with remote horns, access control, remote interface units, and keyswitches - see Detex Delayed Egress (DE) EasyKits

Benefits

- EEX is an exit device with an internal blocker and pushpad switch that allows this product to be controlled by a logic controller, making it perfect for delay and controlled egress applications without the use of a magnetic lock
- Fits almost any door in any décor
- Logic controller controls power to blocker
- Durable design provides years of trouble-free protection, saving on replacement costs
- EEX includes a pushpad switch to trigger the logic controller to initiate a nuisance alarm in a delayed egress application or sound an alarm in a controlled egress application, while still preventing exit
- Provides immediate egress while securing against entry during a power failure/fire alarm
- Fast and easy installation saves time and money
- Secure installation prevents mistakes, enhances security and reduces maintenance

Features

- Factory-programmed, pre-wired, delayed egress logic controller/power supply (required and sold separately)
- Fire Alarm override connected at power supply/logic controller
- Remote bypass and signaling options available through power supply/logic controller
- System does not require magnetic lock, panic provides delayed exit or controlled egress
- Code-compliant delayed egress signage available (ECL-395, 101906)
 - Special California code compliant signage available
- Available in various configurations, for single and paired openings

Where Trust is Built™

DETEX
Life Safety, Security and Security Assurance

Mechanical Options

- F - 3-Hour Fire Rated
- H - Hurricane Rated
- CD - Cylinder Dogging
- HD - Hex Dogging
- LD - Less Dogging (Std.)
- 36 - Fits 36" Door Width (Std.)
- 48 - Fits 48" Door Width
- 99 - Surface Strike (Std.)
- 98 - Semi Mortise Strike
- FC3EC1 - Flexible 3' Conduit Kit, includes EC1 ramped end cap (specify finish)
- FC3EC2 - Flexible 3' Conduit Kit, includes EC2 flush end cap (specify finish)
- FC10EC1 - Flexible 10' Conduit Kit, includes EC1 ramped end cap (specify finish)
- FC10EC2 - Flexible 10' Conduit Kit, includes EC2 flush end cap (specify finish)
- PT5 - Concealed mortise mount power transfer
- EH8 - Five-knuckle energy transfer hinge - 8 wires

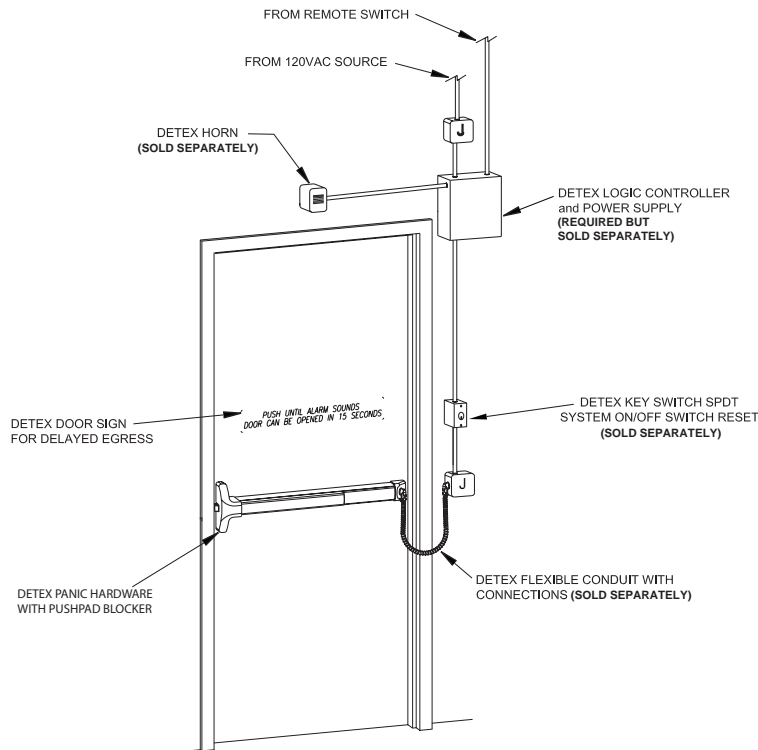
For full list of available mechanical options, see individual device how to order page

Electrical Options

- LX - Latch Bolt Signaling
- ES - Electric Switching

For full system, see Delayed Egress (DE) EasyKit

Riser Diagram



EEX rim panic device shown in typical delayed egress application



Cancer & Reproductive Harm - www.detex.com/prop65

Accessories

- SN1 – Sex Nut Fasteners
- SSK - Torx Security Screw Kit
- GB - Glass Bead Kits

Technical Information

- Door Types - Hollow Metal, Fiberglass or Aluminum
- Stile - Advantex fits minimum 4-5/8" with 99 strike

Finishes

605 / US3	Polished Brass
606 / US4	Brushed Brass
611 / US9	Polished Bronze
612 / US10	Brushed Bronze
613 / US10B	Oil Rubbed Bronze
629 / US32	Polished Stainless Steel
630 / US32D	Brushed Stainless Steel

Listings and Approvals

See individual device (i.e. 10 Series) catalog page for fire and panic listings and windstorm ratings/ approvals

Detex Limited Warranty

10 Year Mechanical / 3 Year Electrical Manufacturers Limited Warranty

Where Trust is Built™
DETEX®
Life Safety, Security and Security Assurance

Detex Corporation
 302 Detex Drive
 New Braunfels, Texas 78130-3045 USA
 PH. (830) 629-2900
 (800) 729-3839
 FAX (800) 653-3839
<http://www.detex.com>
 USA Sales:
marketing@detex.com
 International Sales:
export@detex.com



**Weatherized Delayed Egress Without Electromagnetic Lock (EEX-W)
Weatherized Controlled Egress Without Electromagnetic Lock (EEX-W)**

The EEX-W feature provides an internal blocking kit in the panic lock for use with Rim or Surface Vertical Rod (SVR) devices. EEX-W is perfect for use with Delayed Egress applications on garden center gates, amusement parks, sports arenas, swimming pool gates and other locations. EEX-W can also be used in Controlled Egress applications for perimeter fencing and courtyards in psychiatric areas, dementia units, memory care facilities, birthing centers, NICUs and other healthcare facilities where code officials have final approval. EEX-W permits these applications to provide the safety and/or security where occupants' safety is the main concern. The EEX-W does not include logic circuitry. A **logic controller is required**, such as the 106595-1 Power Supply/Logic Controller in NEMA 4X enclosure, and **must be connected to fire alarm override**.



Commonly used with 106595-1 Power Supply/Logic Controller in NEMA 4X enclosure (required but sold separately)



Available with 10/40 Rim and 20/21/27/50/51 Surface Vertical Rod Devices



10 Series Rim Exit Device Shown

Can be used with remote horns, access control, remote interface units, and keyswitches - see Detex Weatherized Delayed Egress (WDE) EasyKits

Benefits

- EEX is an exit device with an internal blocker and pushpad switch that allows this product to be controlled by a logic controller, making it perfect for delay and controlled egress applications without the use of a magnetic lock
- Fits almost any door in any décor
- Logic controller controls power to blocker
- Durable design provides years of trouble-free protection, saving on replacement costs
- EEX includes a pushpad switch to trigger the logic controller to initiate a nuisance alarm in a delayed egress application or sound an alarm in a controlled egress application, while still preventing exit
- Provides immediate egress while securing against entry during a power failure/fire alarm
- Fast and easy installation saves time and money
- Secure installation prevents mistakes, enhances security and reduces maintenance

Features

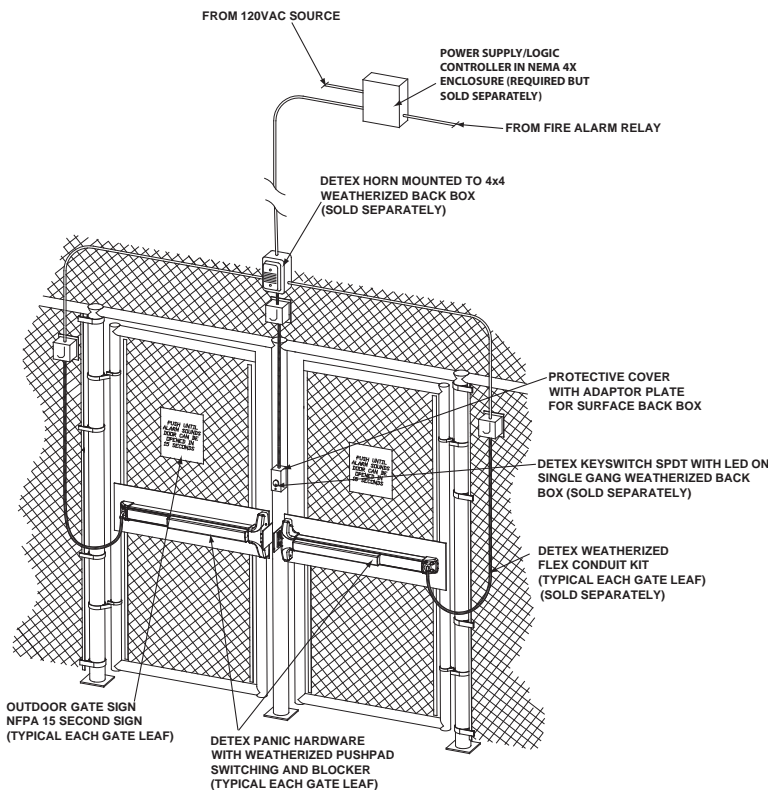
- Factory-programmed, pre-wired, delayed egress logic controller/power supply (required and sold separately)
- Fire Alarm override connected at power supply/logic controller
- Remote bypass and signaling options available through power supply/logic controller
- System does not require magnetic lock, panic provides delayed exit or controlled egress
- Code-compliant delayed egress signage available (ECL-395, 101906)
 - Special California code compliant signage available
- Available in various configurations, for single and paired openings

Mechanical Options


- F - 3-Hour Fire Rated
- H - Hurricane Rated
- CD - Cylinder Dogging
- HD - Hex Dogging
- LD - Less Dogging (Std.)
- 36 - Fits 36" Door Width (Std.)
- 48 - Fits 48" Door Width
- 99 - Surface Strike (Std.)
- 98 - Semi Mortise Strike
- FC3EC1W - Weatherized flexible 3' Conduit Kit, includes EC1 ramped end cap (specify finish)
- FC3EC2W - Weatherized flexible 3' Conduit Kit, includes EC2 flush end cap (specify finish)
- FC10EC1W - Weatherized flexible 10' Conduit Kit, includes EC1 ramped end cap (specify finish)
- FC10EC2W - Weatherized flexible 10' Conduit Kit, includes EC2 flush end cap (specify finish)

For full list of available mechanical options, see individual device how to order page

Riser Diagram



EEX-W rim panic devices shown in typical weatherized delayed egress application

 Cancer & Reproductive Harm - www.detex.com/prop65

Electrical Options

- LXxW - Weatherized Latch Bolt Signaling

For full system, see Weatherized Delayed Egress (WDE) EasyKit

Finishes

605 / US3	Polished Brass
606 / US4	Brushed Brass
611 / US9	Polished Bronze
612 / US10	Brushed Bronze
613 / US10B	Oil Rubbed Bronze
629 / US32	Polished Stainless Steel
630 / US32D	Brushed Stainless Steel

Listings and Approvals

See individual device (i.e. 10 Series) catalog page for fire and panic listings and windstorm ratings/approvals

Detex Limited Warranty

10 Year Mechanical / 3 Year Electrical Manufacturers Limited Warranty

Where Trust is Built™
DETEX®
Life Safety, Security and Security Assurance

Detex Corporation
 302 Detex Drive
 New Braunfels, Texas 78130-3045 USA
 PH. (830) 629-2900
 (800) 729-3839
 FAX (800) 653-3839
<http://www.detex.com>
 USA Sales:
marketing@detex.com
 International Sales:
export@detex.com



Delayed Egress with Latch Retraction (EE ER) (Patented)

Delayed Egress with Latch Retraction (EE ER) is designed for applications where both delayed egress and remote unlocking, remote dogging, access control or an automatic door operator is desired. An EX Request to Exit Switch is included for push pad monitoring. The 100 dB alarm will sound when someone attempts to exit but the door will remain locked for 15 seconds, deterring unauthorized exits and providing time to respond to the alarm. Ideal for restricted areas, access controlled doors, and any door requiring authorized entry or exit, while preventing unauthorized entry or exit. Perfect for fire-rated, cross corridor, access controlled, delayed egress doors with automatic operators, all without using magnetic locks or electric strikes.



10 Series Rim Exit Device shown



DELAYED



Logic Controller / Power Supply Required but sold separately

Available with 10/40 Rim, 30 Mortise, 20/21/50/51 Surface Vertical Rod Devices and 60/61/62/63/70/71/80/81/82/83 Concealed Vertical Rod Devices)

**PUSH UNTIL ALARM SOUNDS
DOOR CAN BE OPENED IN 15 SECONDS**



RIU specified & supplied with Logic Controller

Benefits

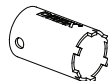
- All delayed egress and access control functions are implemented in the exit device, no external magnets, electric strikes or electric trims are needed
- 15-second delay prevents unauthorized exit, reduces theft and protects those trying to exit
- Use of any access control system and latch retraction allows entry/exit for any authorized card holder
- Required fire alarm input provides life safety override for immediate exit during a fire emergency
- Easy to operate with visual and audible arming indicators
- Simple mounting and wiring provide quick, trouble-free and secure installation saving time and money
- Available as stand-alone or fully-integrated EasyKit

Features

- Heavy-duty, Grade 1 exit device stands up to extreme high traffic conditions
- 100dB alarm demands attention, even in noisy environments, helping prevent unauthorized exits
- Wall mounted remote interface module with red/green LEDs provide visual arming indication
- Automatic rearm occurs after authorized entry and exit
- Can be reset by key and/or Access Control
- Through-wire hinge or power transfer compatible
- Available in various finishes and with assorted trims to fit any application or décor

Mechanical Options

- FC3EC1 - Flexible 3' Conduit Kit, includes EC1 ramped end cap (specify finish)
 - FC3EC2 - Flexible 3' Conduit Kit, includes EC2 flush end cap (specify finish)
 - FC10EC1 - Flexible 10' Conduit Kit, includes EC1 ramped end cap (specify finish)
 - FC10EC2 - Flexible 10' Conduit Kit, includes EC2 flush end cap (specify finish)
 - EH8 - Five-knuckle energy transfer hinge - 8 wires
 - PT5 - Concealed mortise mount power transfer
 - AL18 - Surface Armored Loop (Door/Frame Mounted)
 - Optional Cylinder Nut Wrench P/N: 103779
 - MC65 - Factory Installed Mortise Cylinder
- For full list of available mechanical options, see individual device how to order page



Electrical Options

- 30 - 30 second delayed egress prior approval letter from Authority Having Jurisdiction required
- LX - Latch Bolt Monitor / Latch Secure Switch
- SA - Silent Arming
- RKO - Reset by Key Only (Reset with key/Access Control Std.)
- LN - Less Nuisance Alarm

Technical Information

EExER Panic Device:

- Logic and power requirements supplied by 84-800 Logic Controller and Power Supply designed for single door application (required and sold separately)
- 84-800 amp draws at 1.2 Amps @ 24 VDC
- 85-800 Logic Controller and Power Supply designed for double door applications (required and sold separately)
- 85-800 amp draws at 2.5 Amps @ 24 VDC

- Fire alarm input - Requires a closed contact (when powered) of a locally approved fire alarm system

Remote Interface Module: (provided with Logic Controller)

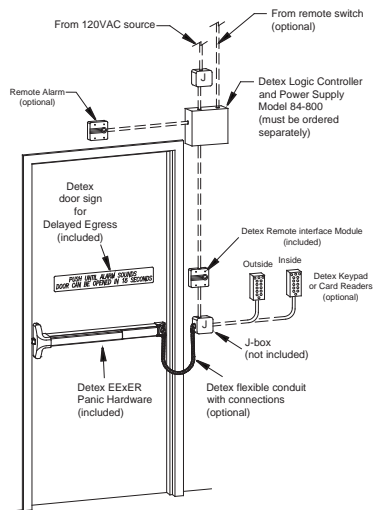
- Wall mounted
- Dummy cylinder included
- May also be used with 5, 6 or 7-pin standard and interchangeable core cylinder
- Available in Surface or Flush mount
- Available in Gray or Black Finish

84-800 / 85-800 Logic Controller and Power Supply

- Remote bypass output - .5A @ 24VAC/VDC Max.
- Remote bypass input
- Silent arming/rearming optional

*See Detex website for 84-800 and 85-800 How to Order

Riser Diagram



Device Finishes

605 / US3	Polished Brass
606 / US4	Brushed Brass
611 / US9	Polished Bronze
612 / US10	Brushed Bronze
613 / US10B	Oil Rubbed Bronze
628 / US28	Aluminum Satin
629 / US32	Polished Stainless Steel
630 / US32D	Brushed Stainless Steel
693 / SPBLK	Black, Painted
695 / SP 313	Dark Bronze, Painted

Listings and Approvals

See individual device (i.e. 10 Series) catalog page for fire and panic listings and windstorm ratings/ approvals

Detex Limited Warranty

10 Year Mechanical/3 Year Electrical Limited Manufacturer's Warranty



Cancer & Reproductive Harm - www.detex.com/prop65

Where Trust is Built™
DETEx®
Life Safety and Security Door Hardware

Detex Corporation
 302 Detex Drive
 New Braunfels, Texas 78130-3045 USA
 PH. (830) 629-2900
 (800) 729-3839
 FAX (800) 653-3839
<http://www.detex.com>
 USA Sales:
marketing@detex.com
 International Sales:
export@detex.com



Electric Integration (EI)

The EI device, designed for applications where electric integration is required, provides the customer with a means of integration to new or existing systems, including the Detex Series 800 Logic Controller. The customer may select from these components to integrate and create different functions from the single product package. This variety of components offers an alarm to sound, monitor the latch bolt position and/or pushpad when depressed, signals a remote panel by key switch operation when activated from inside or outside authorization, and offers 2 LED's to enhance required functions. The operation of switches will open or close (SPDT) to integrate with digital video recorders, remote alarms, strobe lights, or commence the cycle in a separate delayed egress system.



Available with 10/40 Rim and 30 Mortise Devices

Benefits

- Fast and easy installation saves time and money
- Durable electronics provide years of trouble free service, saving on replacement costs
- Multiple switching choices for ease of use
- Controls foot traffic, deters unauthorized exits, prevents loss and meets building code requirements
- Integrates with logic controllers, power supplies and most security equipment, to provide reliable, integrated loss prevention protection

Features

- State-of-the-art electronics for reliable instantaneous switch activation
- Tamper resistant switching monitors dead latch and outside trim input
- 100dB Piezo Alarm
- Mortise cylinder key switch output (Form C)
- Cylinder dogging (Std.) except with fire rated devices
- Pushpad/Latch bolt position switch outputs
- Authorized access switch output
- (3) Standard SPDT (Form C) switches
- Simple "plug-in" header type terminal strip located near end-cap for easy installation
- Dual LED visual arming indicators (one red, one green)
- All switching capable of handling 12 or 24 Volts AC or DC
- Code-compliant door sign (English)

Mechanical Options

- LD - Less Dogging
 - KS - Key Stop - key removed only when armed
 - FC3EC1 - Flexible 3' Conduit Kit, includes EC1 ramped end cap (specify finish)
 - FC3EC2 - Flexible 3' Conduit Kit, includes EC2 flush end cap (specify finish)
 - FC10EC1 - Flexible 10' Conduit Kit, includes EC1 ramped end cap (specify finish)
 - FC10EC2 - Flexible 10' Conduit Kit, includes EC2 flush end cap (specify finish)
 - PT5 - Concealed mortise mount power transfer
 - EH8 - Five-knuckle energy transfer hinge - 8 wires
 - AL18 - Surface Armored Loop (door/frame mount)
- For full list of available mechanical options, see individual device how to order page

Electrical Options

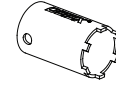
- 10-800 or 11-800 Logic Controller and Power Supply for Electric Integration (required but not included)

Accessories

- MC65 - Pre-installed Mortise Cylinder
- IC7 - Pre-installed Interchangeable Core Cylinder

- SSK - Security Torx Screws
- SN1 - Sex Nut Kit

- Optional Cylinder Nut Wrench
P/N: 103779



- Foreign Language Signs available

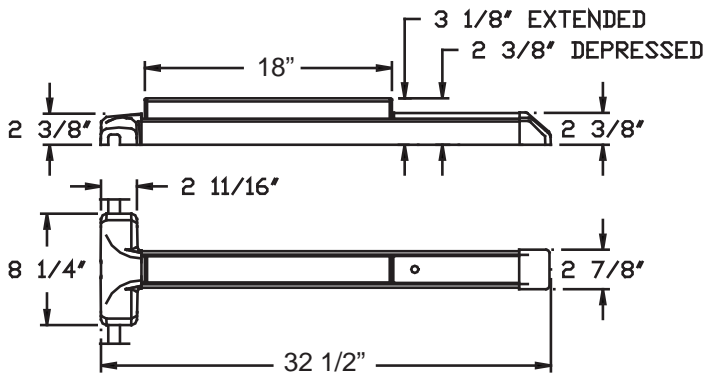
Technical Information

- Detachable plug-in terminal strip
- Switch jumpers for NO/NC contacts
- Machine and self-drilling screws (Std.)
- Through-wire hinge or power transfer compatible

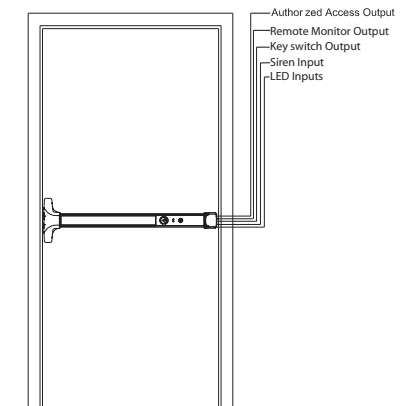
Device Finishes

605 / US3	Polished Brass	628 / US28	Aluminum Satin	693 / SPBLK	Black, Painted
606 / US4	Brushed Brass	629 / US32	Polished Stainless Steel	695 / SP 313	Dark Bronze, Painted
611 / US9	Polished Bronze				
612 / US10	Brushed Bronze	630 / US32D	Brushed Stainless Steel		
613 / US10B	Oil Rubbed Bronze				

Dimensions



Riser Diagram



Listings and Approvals

See individual device (i.e. 10 Series) catalog page for fire and panic listings and windstorm ratings/approvals

Detex Limited Warranty

10 Year Mechanical/3 Year Electrical Limited Manufacturer's Warranty

Where Trust is Built™
DETEX®
Life Safety and Security Door Hardware

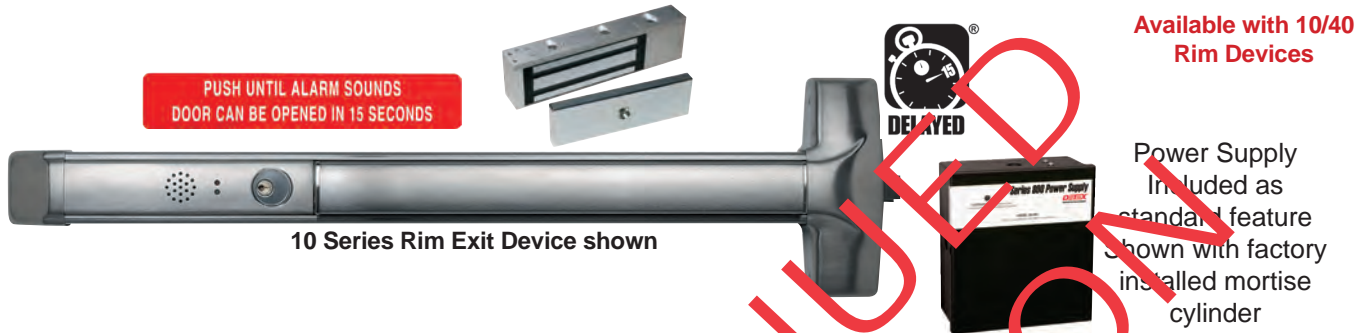
Detex Corporation
 302 Detex Drive
 New Braunfels, Texas 78130-3045 USA
 PH. (830) 629-2900
 (800) 729-3839
 FAX (800) 653-3839
<http://www.detex.com>
 USA Sales:
marketing@detex.com
 International Sales:
export@detex.com

Cancer & Reproductive Harm - www.detex.com/prop65



Delayed Egress with Magnetic Locking (EM)

The Delayed Egress Magnetic Locking (EM) option provides a secure 2-point locking device with 15-second delay and a 100dB alarm when someone attempts to exit. This 15-second delay allows time for management to respond to the alarm before someone exits and the alarm deters the exit from occurring. Per life safety requirements, the EM must be provided with a fire alarm input, thus providing a system override during a fire emergency. The EM provides security while meeting all life safety concerns, offering an exceptional value.



Benefits

- Fast and easy installation
- Durable design provides years of trouble-free protection
- Controls foot traffic, deters unauthorized exits, prevents loss and meets code requirements
- 2-point locking provides tandem-holding force of latch bolt (1400 lb) and electromagnetic lock (1500 lb)
- Reduces employee and customer theft
- Fits almost any door in any décor
- One cylinder provides arming, disarming and dogging

Features

- Powered by a 24VDC filtered and regulated power supply
- Heavy-duty angled end-cap
- 9V battery provides alarm function only in case of power failure
- Panic Device and power supply have passed testing for electrostatic discharge (ESD) by an independent testing laboratory
- Heavy-duty ribbed aluminum rail extrusion
- Armed and disarmed field selectable status indicator
- Power supply delivers a constant 24VDC of filtered and regulated voltage at a rated load of 1A, including ripple rejection and transient noise suppression circuitry
- Accommodates all types of mortise cylinders with a standard Yale cam
- Delayed arming allows arming after door closes
- Remote signal output and remote bypass input standard
- Stainless steel, 3/4" deadlocking Pullman-type latch bolt
- Patented mounting plate and strike locator system provide perfect alignment with door and frame
- Alarm triggered by latch bolt or pushpad movement
- Single mortise cylinder provides arming and dogging - can be factory installed
- Fire alarm input can be connected at power supply or panic bar
- Non-handed, field sizeable
- State-of-the-art electronics offer reliable security and instantaneous alarm
- Includes delayed egress panic bar, 24VDC filtered and regulated power supply, 1500 lb electromagnetic lock and door sign
- 100dB alarm
- Visual and audible arming indicators

Mechanical Options

- MC65 - Factory Installed Mortise cylinder
- CD - Cylinder Dogging (Std.)
- 99 - Surface Strike (Std.)
- IC7 - Factory Installed IC Housing
- LD - Less Dogging
- 98 - Semi Mortise Strike
- FC - Flex Conduit and End Cap
- KS - Key Stop (Key removed only when armed)
- F - 3-Hour Fire Rated
- 36" Door Width (Std.)
- H - Hurricane Rated
- 48" Door Width

Electrical Options

- 30 Second Delayed Egress (must have letter from AHJ)
- AL18 - Surface Armored Loop (Door/Frame mounted)
- PT5 - Power Transfer

Accessories

- SN1 - Sex Nut fasteners
- Outside trim options (See Advantex Trim Options)
- Foreign Language Signs available Contact Factory

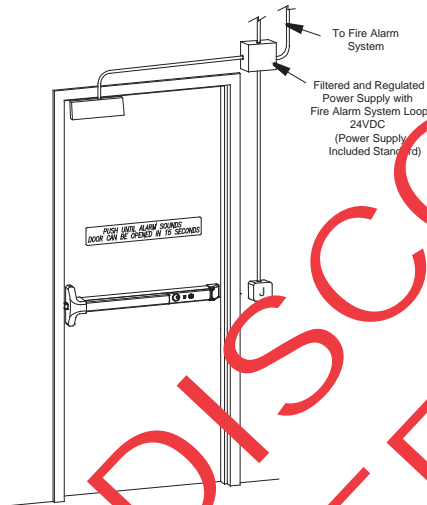
Technical Information

- Door Types - Wood, Hollow Metal, Fiberglass or Aluminum
- Door Stile - See applicable device page
- Machine and Self-Drilling fasteners (Std.)
- Door Thickness - Fits standard 1 3/4" - 2 1/4"
- Optional Sex Nuts or Security Torx Screws available

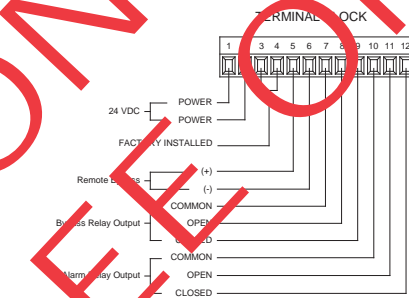
Device Finishes

605 / US3	Polished Brass	628 / US28	Aluminum Satin	693 / SPBLK	Black, Painted
606 / US4	Brushed Brass	629 / US32	Polished Stainless Steel	695 / SP313	Dark Bronze, Painted
611 / US9	Polished Bronze	630 / US32D	Brushed Stainless Steel		
612 / US10	Brushed Bronze				
613 / US10B	Oil Rubbed Bronze				

Riser Diagram



Terminal Block



Listings and Approvals

See individual device (i.e. 10 Series) catalog page for listings and approvals

Detex Limited Warranty

10 Year Mechanical/3 Year Electrical Limited Manufacturer's Warranty



Cancer & Reproductive Harm - www.detex.com/prop65

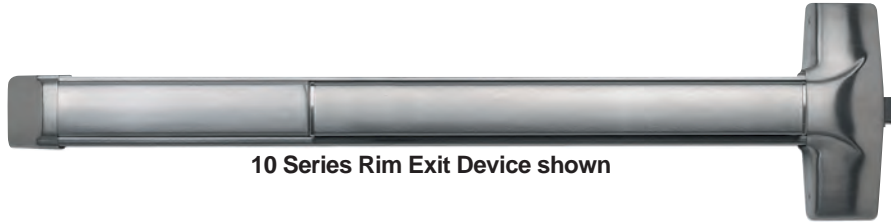
Where Trust is Built™
DETEX®
Life Safety and Security Door Hardware

Detex Corporation
 302 Detex Drive
 New Braunfels, Texas 78130-3045 USA
 PH. (830) 629-2900
 (800) 729-3839
 FAX (800) 653-3839
<http://www.detex.com>
 USA Sales:
marketing@detex.com
 International Sales:
export@detex.com



Electric Latch Retraction with Request to Exit Switch (ER EX)

The ER EX function is designed for entrance and exit doors with panic or fire exit hardware where remote unlocking, remote dogging, access control or automatic door operator is desired.



10 Series Rim Exit Device shown

Available with 10/40 Rim, 30 Mortise, 20/21/50/51 Surface Vertical Rod Devices and 60/61/62/63/70/71/80/81/82/83 Concealed Vertical Rod Devices

Benefits

- Works with any type of access control system
- Simultaneous pushpad and latch bolt retraction provides smooth surface with no catch points
- Provides a means for remote dogging and lock-down
- Fast and easy installation saves time and money

Features

- Low voltage with no high current in-rush
- Momentary or maintained latch and pushpad retraction
- Long term dogging capability
- Continuous duty motor for quiet operation - no solenoid
- Simultaneous latch and pushpad retraction

Mechanical Options

- AL18 - Surface Armored Loop (door/frame mounted)
- FC3EC1 - Flexible 3' Conduit Kit, includes EC1 ramped end cap (specify finish)
- FC10EC1 - Flexible 10' Conduit Kit, includes EC1 ramped end cap (specify finish)
- PT5 - Concealed mortise mount power transfer
- FC3EC2 - Flexible 3' Conduit Kit, includes EC2 flush end cap (specify finish)
- FC10EC2 - Flexible 10' Conduit Kit, includes EC2 flush end cap (specify finish)
- EH8 - Five-knuckle energy transfer hinge - 8 wires

For full list of available mechanical options, see individual device how to order page

Electrical Options

- Latch Retraction power supplies are required and sold separately
- 81-800 - Power Supply for single door
- 82-800 - Power Supply for pair of doors
- 83-800 - Power Supply for two independent doors
- LX - Latch bolt Signaling (specify ER EX LX)

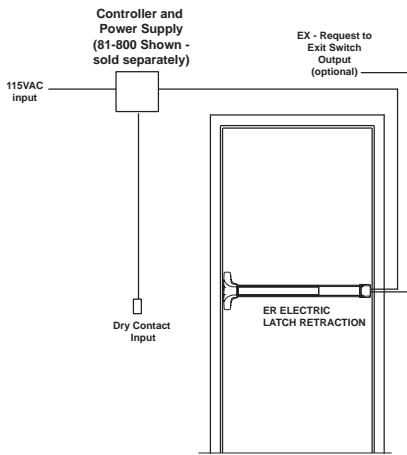
Technical Information

- Voltage 24VDC
- Wire Run Lengths
150 foot, 16AWG
- 1A to retract pushpad and latch
- 0.18A to hold pushpad and latch retracted
- 1A power supply - 24VDC Filtered and Regulated Power Supply
1 ER Device
2 ER Devices if devices are staggered by 300mSec
- 2A power supply - 24VDC Filtered and Regulated Power Supply
2 ER Devices
4 ER Devices if devices are staggered by 300mSec

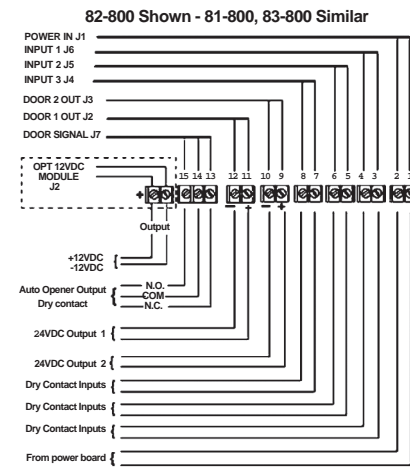
Device Finishes

605 / US3	Polished Brass	628 / US28	Aluminum Satin	693 / SPBLK	Black, Painted
606 / US4	Brushed Brass	629 / US32	Polished Stainless Steel	695 / SP 313	Dark Bronze, Painted
611 / US9	Polished Bronze				
612 / US10	Brushed Bronze	630 / US32D	Brushed Stainless Steel		
613 / US10B	Oil Rubbed Bronze				

Riser Diagram



Riser Diagram



Listings and Approvals

See individual device (i.e. 10 Series) catalog page for fire and panic listings and windstorm ratings/ approvals

Detex Limited Warranty

10 Year Mechanical/3 Year Electrical Limited Manufacturer's Warranty



Detex Corporation
 302 Detex Drive
 New Braunfels, Texas 78130-3045 USA
 PH. (830) 629-2900
 (800) 729-3839
 FAX (800) 653-3839
 http://www.detex.com
 USA Sales:
 marketing@detex.com
 International Sales:
 export@detex.com

Cancer & Reproductive Harm - www.detex.com/prop65



Weatherized Electric Latch Retraction with Request to Exit Switch (ER EX W)

The ER EX W function is designed for entrance and exit doors with panic or fire exit hardware exposed to weather environments where remote unlocking, remote dogging, or access control is desired. The ER EX W is listed as a UL panic and fire exit hardware device and conforms to UL 1034-34 Temperature Section 34, UL 1034-54 Dust Section 54, MIL-STD 810F, Method 509.4 (salt fog test), MIL-STD 810F, Method 506.4 (driving rain test) and UBC standard 7-2 (positive pressure). Power supply and controller must be installed in a NEMA 4X enclosure or located in a controlled, moisture-free environment.



10 Series Rim Exit Device shown

Available with 10/40 Rim and 20/21/50/51 Surface Vertical Rod Devices



Benefits

- Works with any type of access control system
- Fast and easy installation saves time and money
- Simultaneous pushpad and latch bolt retraction provides smooth surface with no catch points
- Provides a means for remote dogging and lock-down for added security in lockdown situations

Features

- Low voltage with no high current in-rush
- Continuous duty motor for quiet operation - no loud solenoid
- Coated materials allow use in weatherized environments
- Momentary or maintained latch and pushpad retraction
- Simultaneous latch and pushpad retraction
- Long term dogging capability
- Weatherized switches

Mechanical Options

- FC3EC1W - Weatherized flexible 3' Conduit Kit, includes EC1 ramped end cap (specify finish)
 - FC3EC2W - Weatherized flexible 3' Conduit Kit, includes EC2 flush end cap (specify finish)
 - FC10EC1W - Weatherized flexible 10' Conduit Kit, includes EC1 ramped end cap (specify finish)
 - FC10EC2W - Weatherized flexible 10' Conduit Kit, includes EC2 flush end cap (specify finish)
- For full list of available mechanical options, see individual device how to order page

Electrical Options

- Latch Retraction power supplies are required and sold separately
- 81-800 - Power Supply for single door
- 82-800 - Power Supply for pair of doors
- 83-800 - Power Supply for two independent doors

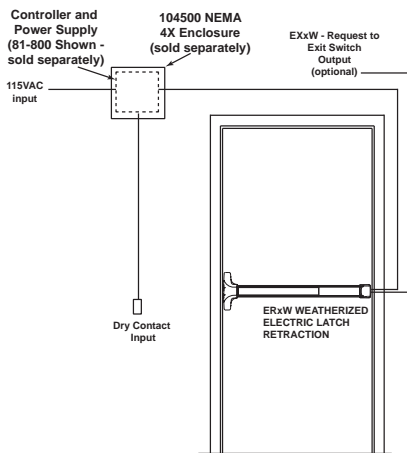
Technical Information

- Voltage 24VDC
- 2 Amps to retract pushpad and latch
- 200mA to hold pushpad and latch retracted

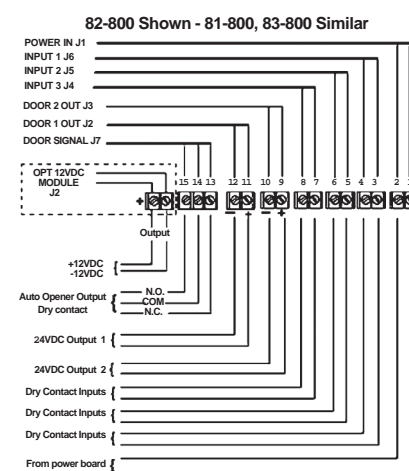
Device Finishes

605 / US3	Polished Brass	628 / US28	Aluminum Satin	693 / SPBLK	Black, Painted
606 / US4	Brushed Brass	629 / US32	Polished Stainless Steel	695 / SP 313	Dark Bronze, Painted
611 / US9	Polished Bronze	630 / US32D	Brushed Stainless Steel		
612 / US10	Brushed Bronze				
613 / US10B	Oil Rubbed Bronze				

Riser Diagram



Riser Diagram



Listings and Approvals


See individual device (i.e. 10 Series) catalog page for fire and panic listings and windstorm ratings/ approvals

Detex Limited Warranty

10 Year Mechanical/3 Year Electrical Limited Manufacturer's Warranty

Where Trust is Built™
DETEx®
Life Safety and Security Door Hardware

Detex Corporation
 302 Detex Drive
 New Braunfels, Texas 78130-3045 USA
 PH. (830) 629-2900
 (800) 729-3839
 FAX (800) 653-3839
<http://www.detex.com>
 USA Sales:
marketing@detex.com
 International Sales:
export@detex.com

 Cancer & Reproductive Harm - www.detex.com/prop65



Electric Latch Retraction Conversion Kit (ERK)

The Electric Latch Retraction Conversion Kit (ERK) is designed for converting a non-electrical device into a latch retraction function where remote unlocking or remote dogging is desired. A Request to Exit switch, activated by the pushpad, is included in every ERK conversion kit.



Compatible with 3-foot and 4-foot versions of the following exit devices:
10/40 Rim, 30 Mortise,
20/21/50/51 Surface Vertical Rod Devices
and 60/61/62/63/70/71/80/81/82/83
Concealed Vertical Rod Devices

Benefits

- Compatible with any type of access control system
- Provides a means for remote dogging and lockdown
- Simple catalog number to remember when ordering ERK3 (3 foot) or ERK4 (4 foot)
- Fast and easy conversion saves time and money by converting 3-foot and 4-foot mechanical device to electric latch retraction
- Simultaneous pushpad and latch bolt retraction provides smooth surface with no catch points
- Works with any manufacturer's power supply (24VDC filtered and regulated @1A)
- Silencer ensures quiet relatching / relocking
- Quiet motor and silent pushpad return makes it perfect for quiet environments

Features

- Continuous duty motor for quiet operation - no solenoid
- Momentary or maintained latch and pushpad retraction
- Long term dogging capability
- REX switch standard included with each device (EX)
- Simultaneous latch and pushpad retraction
- Use with power supplies that can provide a filtered and regulated 24VDC at 1A continuous
- Low voltage with no high current in-rush

Mechanical Options

- F - Fire Rated
- EH8 - Five-knuckle energy transfer hinge - 8 wires
- FC10EC1 - Flexible 10' Conduit Kit, includes EC1 ramped end cap (specify finish)
- H - Hurricane Rated
- FC3EC1 - Flexible 3' Conduit Kit, includes EC1 ramped end cap (specify finish)
- FC10EC2 - Flexible 10' Conduit Kit, includes EC2 flush end cap (specify finish)
- AL18 - Surface Armored Loop (door/frame mounted)
- FC3EC2 - Flexible 3' Conduit Kit, includes EC2 flush end cap (specify finish)
- PT5 - Concealed mortise mount power transfer
- ERK3 - Fits 36" Door Width
- ERK4 - Fits 48" Door Width

For full list of available mechanical options, see individual device how to order page

Electrical Options

- Latch Retraction power supplies are required and sold separately
- 81-800 - Power Supply for single door
- 82-800 - Power Supply for pair of doors
- 83-800 - Power Supply for two independent doors
- LX - Latch bolt Signaling (specify ERK3 LX or ERK4 LX)

NOTE: Latch Retraction requires the use of a power supply with filtered and regulated 24VDC @ 1A minimum



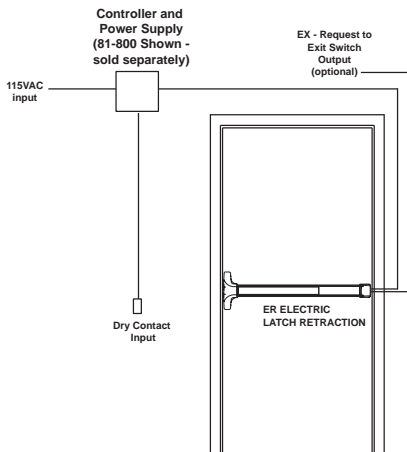
Technical Information

- Voltage 24VDC
- Minimum wire gauge for 24V ER Operation (These are minimum requirements - larger gauge wire is acceptable)
 - Up to 50 feet: 20 gauge
 - 51-400 feet: 18 gauge
 - 401-750 feet: 16 gauge
 - 751-1000 feet: 14 gauge
- 1A to retract pushpad and latch
- 0.18A to hold pushpad and latch retracted
- 1A power supply - 24VDC Filtered and Regulated Power Supply
 - 1 ER Device
 - 2 ER Devices if devices are staggered by 300mSec
- 2A power supply - 24VDC Filtered and Regulated Power Supply
 - 2 ER Devices
 - 4 ER Devices if devices are staggered by 300mSec

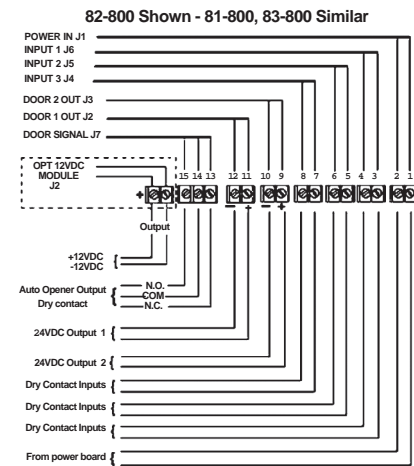
Device Finishes

605 / US3	Polished Brass	628 / US28	Aluminum Satin	693 / SPBLK	Black, Painted
606 / US4	Brushed Brass	629 / US32	Polished Stainless Steel	695 / SP 313	Dark Bronze, Painted
611 / US9	Polished Bronze				
612 / US10	Brushed Bronze	630 / US32D	Brushed Stainless Steel		
613 / US10B	Oil Rubbed Bronze				

Riser Diagram



Riser Diagram



Listings and Approvals

See individual device (i.e. 10 Series) catalog page for fire and panic listings and windstorm ratings/ approvals

Detex Limited Warranty

10 Year Mechanical/3 Year Electrical Limited Manufacturer's Warranty



Detex Corporation
 302 Detex Drive
 New Braunfels, Texas 78130-3045 USA
 PH. (830) 629-2900
 (800) 729-3839
 FAX (800) 653-3839
<http://www.detex.com>
 USA Sales:
marketing@detex.com
 International Sales:
export@detex.com

Cancer & Reproductive Harm - www.detex.com/prop65



Electric Switching (ES)

The Electric Switching (ES) option includes two switches; one to monitor the latch bolt position and the other to monitor mechanical access from the exterior. It is designed for doors that require a means of indicating when the latch bolt is retracted while providing a remote signal when using key entry. Always used in conjunction with other security systems, the Advantex ES function provides either normally closed or normally open (field selectable) contacts that can provide a signal to a variety of different components such as remote alarm or a central station.



Available with
10/40 Rim
Devices

Benefits

- Tough and durable design for years of trouble-free service in high-use, high-abuse environments
- 6 pin removable terminal strip on end cap bracket, provides easy access for connecting external signaling wires
- Fast and easy installation saves time and money
- Wires within the exit device are factory installed with easy connection point provided near end cap
- Latch bolt / push pad switch and trim input switch allows for easy integration with logic controllers, power supplies and security systems

Features

- Signal switching monitors latch bolt, pushpad and authorized access
- Trim input switch provides either a Normally Open or Normally Closed signal output
- Normally Open or Normally Closed (field selectable)
- A variety of hinge side wire transfers can be provided with the exit device, including electric hinge, flex conduit or power transfer
- Latch bolt switch runs in series with push pad switch, providing either a Normally Open or Normally Closed signal output
- 6 pin terminal strip at end cap bracket

Mechanical Options

- HD - Hex Dogging (Std.)
 - CD - Cylinder Dogging
 - LD - Less Dogging
 - SLR - Silencer
 - PT5 - Concealed mortise mount power transfer
 - EH8 - Five-knuckle energy transfer hinge - 8 wires
 - LF - Less Flex Conduit (Std.)
 - FC3EC1 - Flexible 3' Conduit Kit, includes EC1 ramped end cap (specify finish)
 - FC3EC2 - Flexible 3' Conduit Kit, includes EC2 flush end cap (specify finish)
 - FC10EC1 - Flexible 10' Conduit Kit, includes EC1 ramped end cap (specify finish)
 - FC10EC2 - Flexible 10' Conduit Kit, includes EC2 flush end cap (specify finish)
 - MC65 - Pre-Installed mortise cylinder
 - IC7 - Pre-installed interchangeable core housing
- For full list of available mechanical options, see individual device how to order page

Electrical Options

- EX - Request to Exit (specify ES EX)
- LX - Latch Bolt Signaling (Specify ES LX)
- EU - Electric Unlock Lever Trim (Specify 10EU ES - Wide Stile Only)

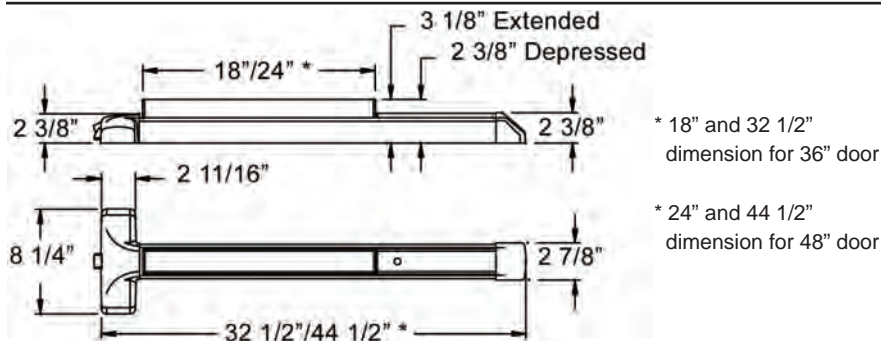
Accessories

- SSK - Security Torx Screw Kit
- Trim Functions (see Outside Trims)

Technical Information

- Door Types - Wood, Hollow Metal, Fiberglass or Aluminum
- Door Thickness - Fits standard 1-3/4" - 2-1/4" doors (for other door thicknesses contact factory)
- Minimum Stile - 4-5/8" with standard 99 strike; 4-1/8" with optional 98 strike
- Fasteners - Machine and Self-Drilling Screws standard
- Machine and Self Drilling Screws (Std.)
- Field selectable NO/NC contacts

Dimensions



Listings and Approvals

See individual device (i.e. 10 Series) catalog page for fire and panic listings and windstorm ratings/ approvals

Detex Limited Warranty

10 Year Mechanical/3 year Electrical Limited Manufacturer's Warranty

Finishes

605 / US3	Polished Brass	629 / US32	Polished Stainless Steel
606 / US4	Brushed Brass	630 / US32D	Brushed Stainless Steel
611 / US9	Polished Bronze	693 / SPBLK	Black, Painted
612 / US10	Brushed Bronze	695 / SP 313	Dark Bronze, Painted
613 / US10B	Oil Rubbed Bronze		
628 / US28	Aluminum Satin		

Where Trust is Built™

DETEx®

Life Safety and Security Door Hardware

Detex Corporation
302 Detex Drive
New Braunfels, Texas 78130-3045 USA

PH. (830) 629-2900

(800) 729-3839

FAX (800) 653-3839

<http://www.detex.com>

USA Sales:

marketing@detex.com

International Sales:

export@detex.com



Cancer & Reproductive Harm - www.detex.com/prop65



Electric Request to Exit Switching (EX) High Current / Voltage Switching (EXV)

The Request to Exit (EX) signaling option is used on exit doors with panic or fire exit hardware. This option indicates when the pushpad is depressed sending a signal to an alarm or sends a remote signal to monitor egress conditions.

The Request to Exit High Current switching option can be used to control power to a device that requires higher current up to 2.0 amperes; such as an electro-magnetic lock, electric strike or motor.



Available with 10/40 Series Rim, 30 Series Mortise, 20/21/50/51 Series Surface Vertical Rod and 60/61/62/63/70/71/80/81/82/83 Series Concealed Vertical Rod Devices

Benefits

- Tough and durable design for years of trouble-free service in high-use, high-abuse environments
- Fast and easy installation saves time and money
- Withstands over 1400 pounds of static pull force for greater security
- Integrates with other loss prevention equipment
- Outside trims are easily changed or re-keyed without removing device from door

Features

- Switch capable of signalling at low currents for integration to a central control station
- Tamper resistant switching electronically monitors pushpad
- Use EXV to switch power on and off to an electromagnetic lock
- Request to Exit High Current Switch (EXV) provides 3 wires for either normally open or normally closed switching / controlling power when push pad is pressed
- Standard SPDT (Form C) switch with three wires, Yellow (N/O), Brown (Common) & Gray (N/C), creating either a Normally Open or Closed contact
- Request to Exit Signal Switch (EX) provides 3 wires for either normally open or normally closed signaling when push pad is pressed
- A variety of hinge side wire transfers can be provided with the exit device, including electric hinge, flex conduit or power transfer

Mechanical Options

- SLR - Silencer
 - CD - Cylinder Dogging
 - HD - Hex Dogging (Std.)
 - LD - Less Dogging
 - 99 - Surface Strike (Std.)
 - LF - Less Flex Conduit (Std.)
 - FC3EC1 - Flexible 3' Conduit Kit, includes EC1 ramped end cap (specify finish)
 - FC3EC2 - Flexible 3' Conduit Kit, includes EC2 flush end cap (specify finish)
 - FC10EC1 - Flexible 10' Conduit Kit, includes EC1 ramped end cap (specify finish)
 - FC10EC2 - Flexible 10' Conduit Kit, includes EC2 flush end cap (specify finish)
 - PT5 - Concealed mortise mount power transfer
 - EH8 - Five-knuckle energy transfer hinge - 8 wires
- For full list of available mechanical options, see individual device how to order page

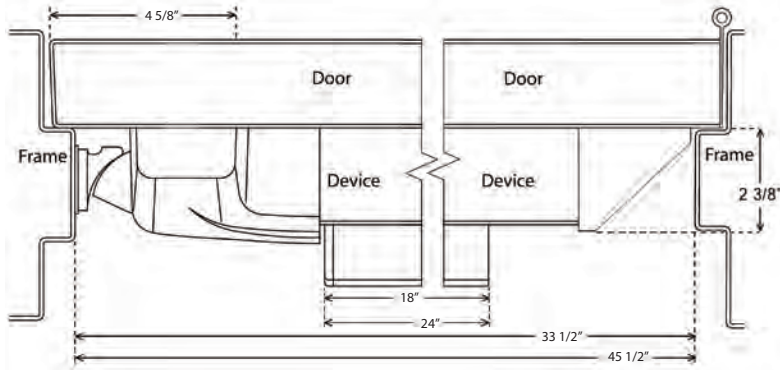
Accessories

- GB1 - Glass Bead Kit
- SSK - Security Torx Screw Kit
- Trim Functions (see Outside Trims)
- SN1 - Sex Nut Kit (2 per package)

Technical Information

- Door Types - Wood, Hollow Metal, Fiberglass or Aluminum
- Minimum Stile - 4-5/8" with standard 99 strike; 4-1/8" with optional 98 strike
- Door Thickness - Fits standard 1-3/4" - 2-1/4" doors (for other door thicknesses contact factory)
- Fasteners - Machine and Self-Drilling Screws standard
- Optional Sex Nuts or Security Torx Screws available

Single Door



Finishes

- 605 / US3 Polished Brass
- 606 / US4 Brushed Brass
- 611 / US9 Polished Bronze
- 612 / US10 Brushed Bronze
- 613 / US10B Oil Rubbed Bronze
- 628 / US28 Aluminum Satin
- 629 / US32 Polished Stainless Steel
- 630 / US32D Brushed Stainless Steel
- 693 / SPBLK Black, Painted
- 695 / SP 313 Dark Bronze, Painted

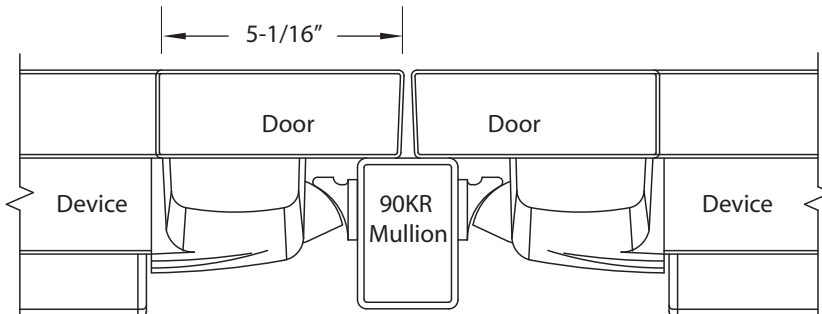
Listings and Approvals

See individual device (i.e. 10 Series) catalog page for fire and panic listings and windstorm ratings/ approvals

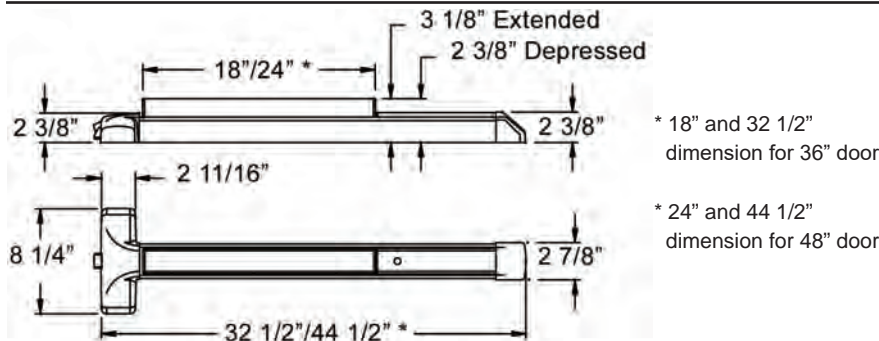
Detex Limited Warranty

10 Year Mechanical/3 year Electrical Limited Manufacturer's Warranty

Double Door with 90KR Mullion



Dimensions



Detex Corporation
302 Detex Drive
New Braunfels, Texas 78130-3045 USA
PH. (830) 629-2900
(800) 729-3839
FAX (800) 653-3839
<http://www.detex.com>
USA Sales:
marketing@detex.com
International Sales:
export@detex.com

Cancer & Reproductive Harm - www.detex.com/prop65



Weatherized Electric Request to Exit Switching (EX W) Weatherized High Current / Voltage Switching (EXV W)

The EX W meets the following standards: Mil 810F(G), 509.4 - Salt Fog, Mil 810F(G), 506.4 - Driving Rain Procedure 1, UL1034-34 Temperature Section 34 [Temperature Range -31° F (-35° C) to 151° F (+66° C)], and UL-1034-54 Dust Section 543.

The EXV W meets the following standards: Mil 810F(G), 509.4 - Salt Fog, Mil 810F(G), 506.4 - Driving Rain Procedure 1, UL1034-34 Temperature Section 34 [Temperature Range -31° F (-35° C) to 151° F (+66° C)], and UL-1034-54 Dust Section 54.



Available with 10/40 Series Rim, 30 Series Mortise, and 20/21/50/51 Series Surface Vertical Rod Devices

Benefits

- Integrates with other loss prevention equipment
- Fits almost any door in any décor
- Withstands over 1400 pounds of static pull force for greater security
- Fast and easy installation saves time and money

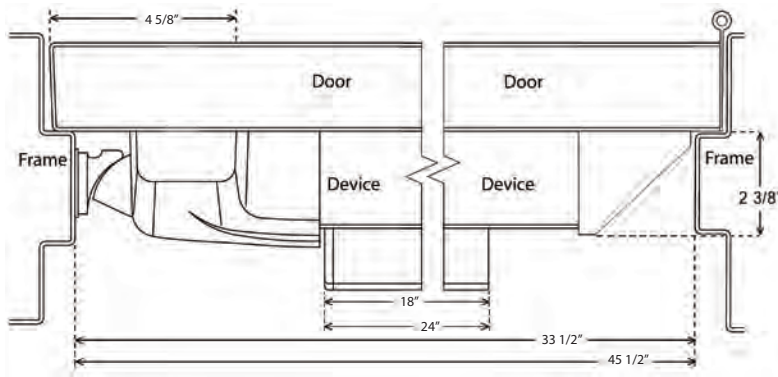
Features

- Withstands environmental elements when installed on gates or exterior doors
- Weatherized switch for signalling at low currents to a central control station
- Standard SPDT (Form C) switch with three wires, Yellow (N/O), Brown (Common) & Green (N/C), creating either a Normally Open or Closed contact
- To shunt power to an electromagnetic lock, specify EXVxW
- Stainless steel, 3/4" throw deadlocking latch bolt

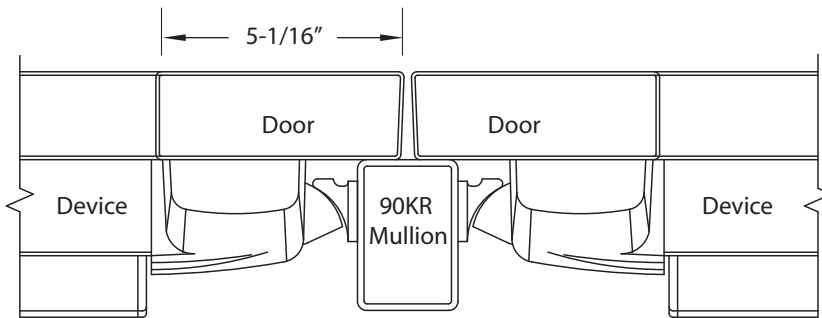
Mechanical Options

- CD - Cylinder Dogging
 - HD - Hex Dogging (Std.)
 - LD - Less Dogging
 - LF - Less Flex Conduit
 - FC3EC1 - Flexible 3' Conduit Kit, includes EC1 ramped end cap (specify finish)
 - FC3EC2 - Flexible 3' Conduit Kit, includes EC2 flush end cap (specify finish)
 - FC10EC1 - Flexible 10' Conduit Kit, includes EC1 ramped end cap (specify finish)
 - FC10EC2 - Flexible 10' Conduit Kit, includes EC2 flush end cap (specify finish)
 - GTPLKIT - Adjustable Gate Plate
- For full list of available mechanical options, see individual device how to order page

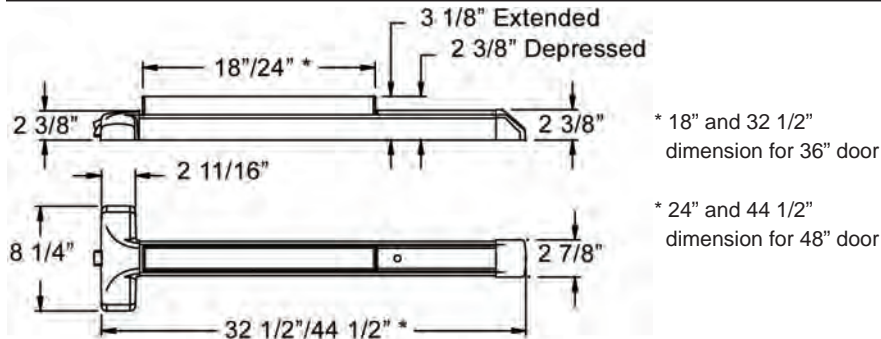
Single Door



Double Door with 90KR Mullion



Dimensions



Listings and Approvals

See individual device (i.e. 10 Series) catalog page for fire and panic listings and windstorm ratings/ approvals

Detex Limited Warranty

10 Year Mechanical/3 year Electrical Limited Manufacturer's Warranty

Accessories


- GB1 - Glass Bead Kit
- SN1 - Sex Nut Kit (2 per package)
- SSK - Security Torx Screw Kit
- Trim Functions (see Outside Trims)
- Electrified Options (see Electrified Options)

Technical Information

- Door Types - Wood, Hollow Metal, Fiberglass or Aluminum
- Door Thickness - Fits standard 1-3/4\" - 2-1/4\" doors (for other door thicknesses contact factory)
- Minimum Stile - 4-5/8\" with standard 99 strike; 4-1/8\" with optional 98 strike
- Fasteners - Machine and Self-Drilling Screws standard

Finishes

605 / US3	Polished Brass
606 / US4	Brushed Brass
611 / US9	Polished Bronze
612 / US10	Brushed Bronze
613 / US10B	Oil Rubbed Bronze
628 / US28	Aluminum Satin
629 / US32	Polished Stainless Steel
630 / US32D	Brushed Stainless Steel
693 / SPBLK	Black, Painted
695 / SP 313	Dark Bronze, Painted

 Cancer & Reproductive Harm - www.detex.com/prop65

Where Trust is Built™
DETEX®
Life Safety and Security Door Hardware

Detex Corporation
 302 Detex Drive
 New Braunfels, Texas 78130-3045 USA
 PH. (830) 629-2900
 (800) 729-3839
 FAX (800) 653-3839
<http://www.detex.com>
 USA Sales:
marketing@detex.com
 International Sales:
export@detex.com

Electric Unlock (EU) HOW TO ORDER

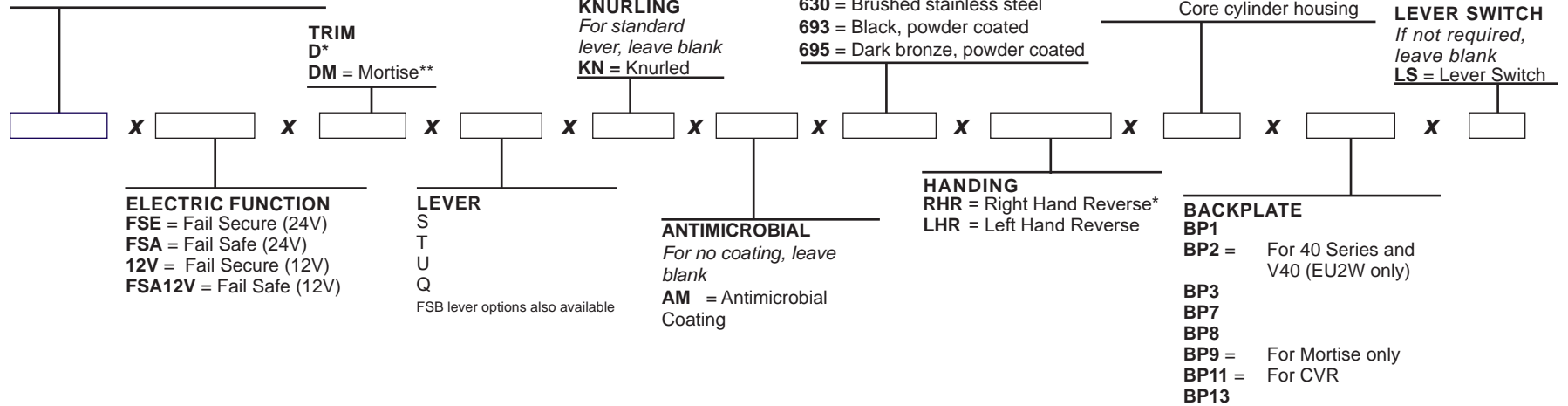
ELECTRIC TRIM

*EU = for use with wide stile rim and SVR exit devices

EUxDM = for use with mortise exit devices

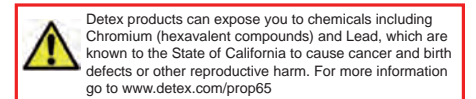
EU2W = for use with narrow stile rim and SVR exit devices

EUV = for use with 70/80 Series CVR



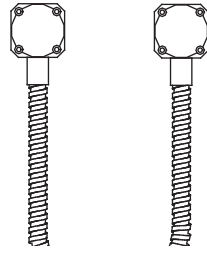
Examples: 10EU (includes 10 Series, 08 trim function, D type trim, S lever, Fail Secure, 626 finish, RHR)
 10EU x FSA (includes 10 Series, 09 trim function, D type trim, S lever, Fail Safe, 626 finish, RHR)
 30EU x FSA x DMT x 605 x LHR (includes 30 Series, 09 trim function, DM type trim, T lever, Fail Safe, 605 finish, LHR)
 V40EU2W x MC65 (includes V40 Series, 08 trim function, D type trim, S lever, Fail Secure, MC65, 626 finish, RHR)

NOTE: * = default
 ** = for mortise only

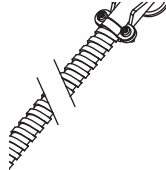


Surface Mounted Wiring Options

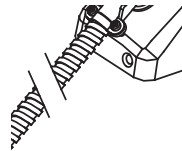
AL18 Armored Loop with billet aluminum end. 18" long



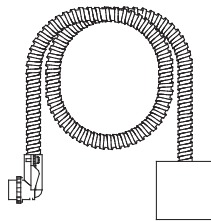
FC As a suffix when ordered with device, it provides 36" flex conduit without wires and with standard conduit connector



FCA Ordered separately from device, it provides 36" flex conduit without wires and with standard conduit connectors and modified device end-cap



JB1 Junction Box and 9' cable for use with magnetic lock on EM device



PT5 Power Transfer



Door Signs

EA-561 Adhesive Back "Emergency Exit Only - Alarm Will Sound"

ECL-395 Adhesive Back "PUSH UNTIL ALARM SOUNDS DOOR CAN BE OPENED IN 15 SECONDS"

 Cancer & Reproductive Harm - www.detex.com/prop65

Magnetic Locks & Accessories

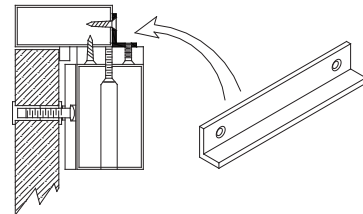
ML-1548 - Magnetic Lock

- 1,500 pounds holding force
- 12/24 VDC field selectable
- Easy installation features convenient plug-in wiring terminals and wire access cover
- Adjustable mounting bracket
- Surge protection
- No residual magnetism
- U.L. Listed

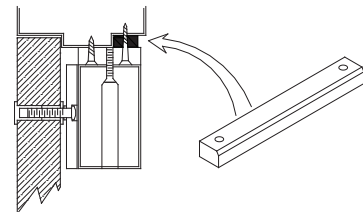


Specify: ML-1548-628 - Anodized Clear Aluminum

ML-1548-711 - Anodized Black Aluminum



AB02 Angle Bracket - Provides easy mounting of ML-1548 to narrow frame reveal



Filler Brackets for gap caused by frame stop conditions.

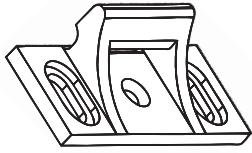
FB02 3/8" x 3/4" filler bracket

FB04 5/8" x 3/4" filler bracket

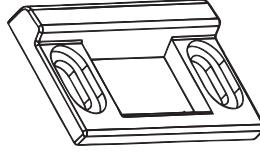
Accessories

Strikes

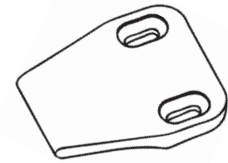
All required strikes are provided with exit devices. Replacement strikes are available as follows:



99 Surface - non-roller strike for 10/40 Series Rim Devices



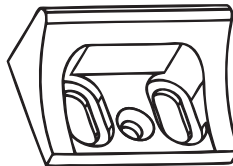
98 Semi-Mortise - applied strike for 10/40 Series Rim Devices



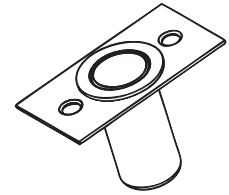
94 Double Door Strike - for 10/40 Series Rim Devices



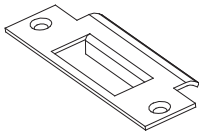
97 Top Surface - non-roller top strike for 20/21 Series Surface Vertical Rod Devices



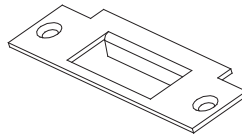
96 Top Surface - non-roller top strike for 50/51 Series Surface Vertical Rod Devices



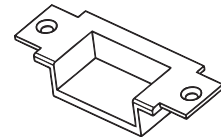
96/97 Bottom Dust Proof Strike - for 20 Series (97 Bottom) or 50 Series (96 Bottom) Surface Vertical Rod Devices



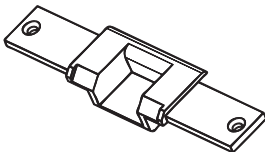
90 Standard ANSI Strike - for 30 Series Mortise Device



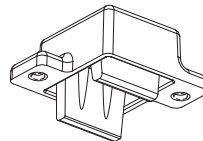
91 ANSI Flat Lip Strike - for 30 Series Mortise Device



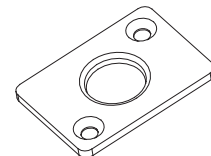
92 Double Door Strike with short open back - for 30 Series Mortise device



93 Double Door Strike with long open back - for 30 Series Mortise Device

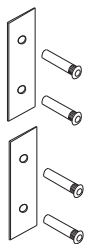


95T Top Strike - for 60/61/62/63/70/71/80/81/82/83 Series Concealed Vertical Rod Devices



95B Bottom Strike - for 60/62/70/80/82 Series Concealed Vertical Rod Devices

Through Bolt Mounting Plate Kit for SVR



TMP2 shown

TMP1 (Top Rod Only) / TMP2 (Top and Bottom Rod) - Through Bolt Mounting Plate Kit for use when replacing surface vertical rods on doors that are damaged or to cover existing exterior holes from previous device.

Kit is standard with two 630 finish plates and four 1/4-20 sex bolts. Contact factory for other finishes.

Where Trust is Built™

Cylinders



MC65 Mortise Cylinder - 1-1/8" 6-pin, keyed 5-pin. Available keyed alike or keyed differently. Finishes available: 605, 606, 612, 613, 626



RC65 Rim Cylinder - 6-pin, keyed 5-pin. Available keyed alike or keyed differently. Finishes available: 605, 606, 612, 613, 626



IC7 Interchangeable core cylinder housing - 7-pin, factory installed

Cylinder Collars

Cylinder Collars for 5 and 6 pin cylinders are provided with all outside trim.

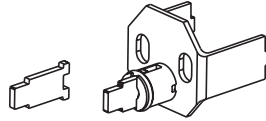


CCS 7/16" Short Cylinder Collar - Cylinder collar for 5 and 6 pin cylinders. Finishes available: 605, 606, 612, 613, 626



CCL 11/16" Long Cylinder Collar - Cylinder collar for 7 pin interchangeable core cylinders. Finishes available: 605, 606, 612, 613, 626

Cylinder Bracket Kit



CBK - Cylinder Bracket Kit consists of bracket and adjustable tailpiece assembly for rim cylinder used with other manufacturer's outside trim

03CAK - Cylinder Bracket Kit (for 60 Series Only) consists of bracket and adjustable tailpiece assembly for rim cylinder used with other manufacturer's outside trim

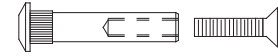
Security Screw Kits

Contains an assortment of screw sizes and types for securing covers in place

SSK1 - Security Screw Kit for rim exit device. Includes driver tip. Stainless Steel only

SSK2 - Security Screw Kit for SVR exit device. Includes driver tip. Stainless steel only

Sex Nut Kit



SN1 - Sex Nut Kit 1/4-20 — 2 per package

SN2 - Sex Nut Kit 10-32 — 2 per package

Tools



HDK - Hex Dogging Key - Heavy-duty with over molded ABS, dogging key is ergonomically designed to resist repetitive motion injuries.

Driver Tip for Security Screw:

TT10 - 6-32 Undercut FH Screws

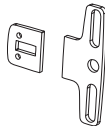
TT15 - 8-32 FH Screws

TT25 - 10-32 FH Screws

TT27 - 1/4-20 and #14 Screws

Glass Bead Kits

For use on doors with raised glass beads. Each kit contains one 1/4" shim set. Specify Kit number



Kit Number	For use with:
GB1	10 Series
GB2	40 Series
GB3	20 Series - 7 foot
GB4	21 Series - 7 foot
GB5	50 Series - 7 foot
GB6	51 Series - 7 foot
GB7	20 Series - 8 foot
GB8	21 Series - 8 foot

Kit Number	For use with:
GB9	50 Series - 8 foot
GB10	51 Series - 8 foot
GB11	20 Series - 10 foot
GB12	21 Series - 10 foot
GB13	50 Series - 10 foot
GB14	51 Series - 10 foot
GB15	V40 Series
GB16	30 Series

Where Trust is Built™
DETEX®
Life Safety, Security and Security Assurance

Detex Corporation
 302 Detex Drive
 New Braunfels, Texas 78130-3045 USA
 PH. (830) 629-2900
 (800) 729-3839
 FAX (800) 653-3839
<http://www.detex.com>
 USA Sales:
marketing@detex.com
 International Sales:
export@detex.com

Cancer & Reproductive Harm - www.detex.com/prop65



Accessories

Slide-In Filler Kits

Slide-In Filler Kits allow change or addition to the device after initial installation. Specify device series (10, 20, 21, 30, 40, 50, 51, 60, 61, 62, 63, 70, 71, 80, 81, 82, or 83), size (36" or 48") and finish (605, 606, 611, 612, 613, 628, 629, 630, 693 or 695).



10x36x630 Shown

SIF-EA Exit Alarm - Slide-In Filler Kit provides 100 plus decibel directional piezo alarm with remote signal relay, remote bypass relay, and LED display. Optional Cylinder Dogging for non-fire rated devices. 9 volt DC and 12/24 volt AC/DC operation. Options include Key Stop feature that allows key to be removed only if unit is armed and factory installed cylinder housing for 7-pin IC cylinders. Requires mortise cylinder with standard Yale cam (**sold separately**)



SIF-HD - Hex Key Dogging Slide-In Filler Kit includes dogging key with over-molded ergonomic grip



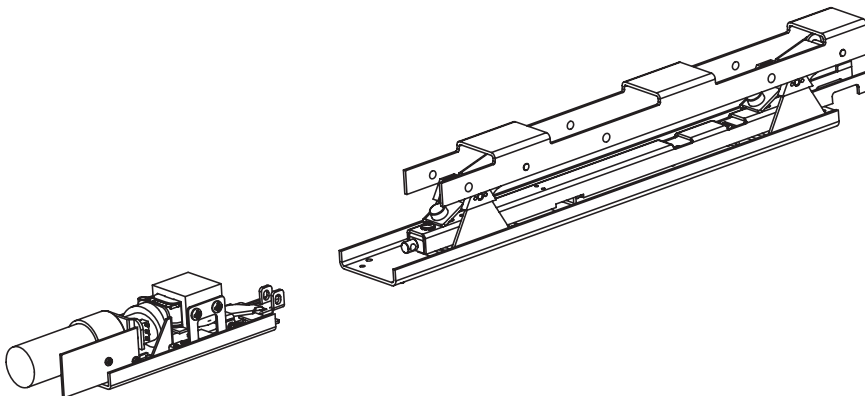
SIF-CD - Cylinder Dogging Slide-In Filler Kit requires mortise cylinder with standard Yale cam (sold separately). Optional factory installed cylinder housing for 7-pin IC cylinders.




SIF-LD - Less Dogging Slide-In Filler Kit's smooth plate eliminates dogging feature. Mandatory for all fire rated models.

ER Retrofit Kit

Converts any Advantex 10, 20, 21, 30, 40, 50 and 51 Series exit device from a simple mechanical device to the ER Electric Latch Retraction Device. The retrofit kit consists of the pushpad assembly, the ER module assembly, required hardware and complete instruction for conversions in the field. Specify 36" or 48". Requires power supply, sold separately. Call factory for more information.



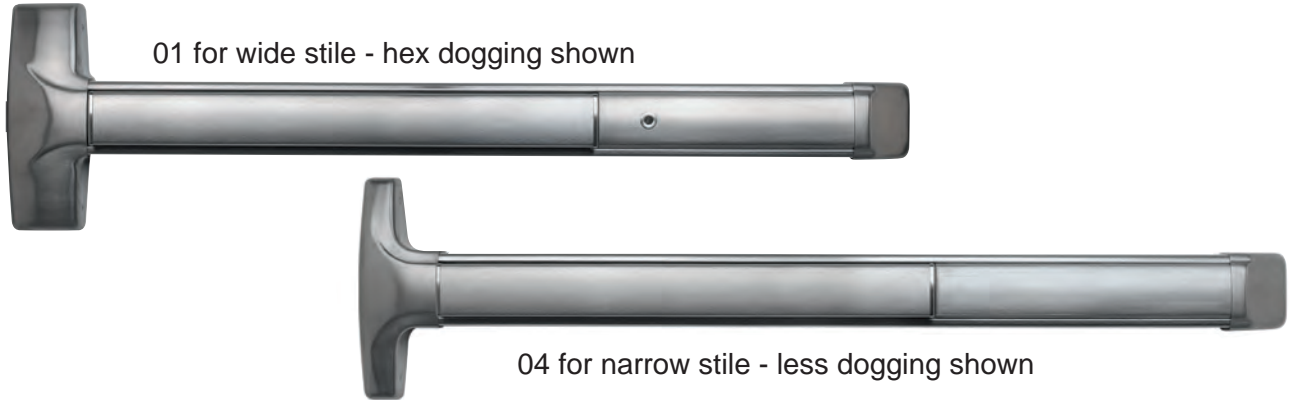
Detex Corporation
302 Detex Drive
New Braunfels, Texas 78130-3045 USA
PH. (830) 629-2900
(800) 729-3839
FAX (800) 653-3839
<http://www.detex.com>
USA Sales:
marketing@detex.com
International Sales:
export@detex.com

 Cancer & Reproductive Harm - www.detex.com/prop65

Dummy Rail Devices

The Advantex Series of non-locking or dummy rail devices are designed for use on all types of doors where locking is not required. Utilizing the same extruded aluminum base-plate and stainless steel wraps, these devices are able to complete your specification where non-locking interior doors are required.

01/04 Standard Dummy Device with head cover and endcap



The 01 for wide stile and 04 for narrow stile devices consists of a moving pushpad but no latch bolt. The 01 provides the look of the standard 10 exit device for wide stile doors when matching devices in a grouping is important. The 04 provides the look of the standard 40 exit device for narrow stile doors when matching devices in a grouping is important.

Mechanical Options

- | | | |
|---------------------------|------------------------------------|---|
| • HD - Hex Dogging (Std.) | • 36 - Fits 36" Door Widths (std.) | • EC1 - Ramped Endcap - Heavy duty (standard on 630, 606, 612, 613, 605, 611 & 629 finishes only) |
| • CD - Cylinder Dogging | • 48 - Fits 48" Door Widths | • EC2 - Flush Endcap (standard on 628, 693 & 695 finishes only) |
| • LD - Less Dogging | • SLR - Silencer | |

Electrical Options

- | | | |
|--|--------------------------------------|--|
| • Request to Exit (EX) | • Request to Exit Weatherized (EXxW) | • Request to Exit Weatherized for High Voltage (EXVxW) |
| • Request to Exit for High Voltage (EXV) | | |

Accessories

- | | |
|---------------------|-------------------------|
| • SN1 - Sex Nut Kit | • FC - Flexible Conduit |
|---------------------|-------------------------|

Finishes

605 / US3	Polished Brass	629 / US32	Polished Stainless Steel
606 / US4	Brushed Brass	630 / US32D	Brushed Stainless Steel
611 / US9	Polished Bronze	693 / SPBLK	Black, painted
612 / US10	Brushed Bronze	695 / SP313	Dark Bronze, painted
613 / US10B	Oil Rubbed Bronze		
628 / US28	Satin Aluminum		

00/05 Standard Dummy Device with two end-caps



The standard 00 device consists of no moving parts. With two standard Advantex end-caps, this inactive device is easy to install and is available in all finishes. The 05 device is the same but with an extended base-plate for narrow stile doors.

Mechanical Options

- 36 - Fits 36" Door Widths (std.)
- 48 - Fits 48" Door Widths
- EC1 - Ramped Endcap - Heavy duty (standard on 630, 606, 612, 613, 605, 611 & 629 finishes only)
- EC2 - Flush Endcap (standard on 628, 693 & 695 finishes only)

Accessories


- SN1 - Sex Nut Kit

Finishes

605 / US3	Polished Brass	628 / US28	Satin Aluminum	693 / SPBLK	Black, painted
606 / US4	Brushed Brass	629 / US32	Polished Stainless Steel	695 / SP313	Dark Bronze, painted
611 / US9	Polished Bronze				
612 / US10	Brushed Bronze	630 / US32D	Brushed Stainless Steel		
613 / US10B	Oil Rubbed Bronze				



Detex Corporation
302 Detex Drive
New Braunfels, Texas 78130-3045 USA
PH. (830) 629-2900
(800) 729-3839
FAX (800) 653-3839
<http://www.detex.com>
USA Sales:
marketing@detex.com
International Sales:
export@detex.com

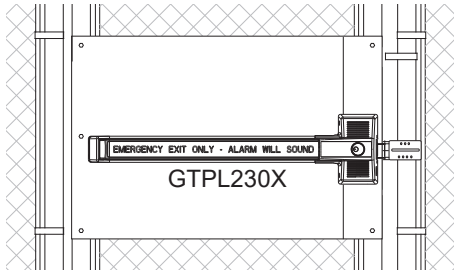
 Cancer & Reproductive Harm - www.detex.com/prop65

Weatherized Accessories

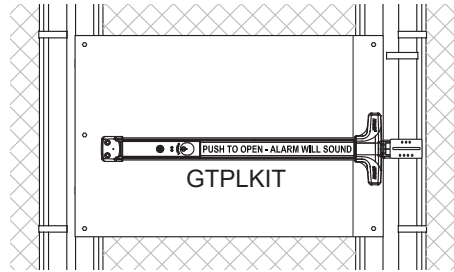
Gate Plate & Accessories

The mounting plate adjusts to fit different gate sizes. The adjustable receiving latch makes installation easy. The lockbox makes it possible to gain access from outside the gate by using a key. All accessories are available in silver or black finish.

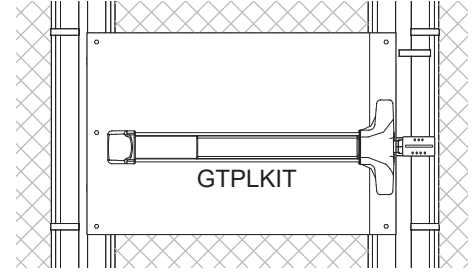
Push Side



ECL-230X-W shown

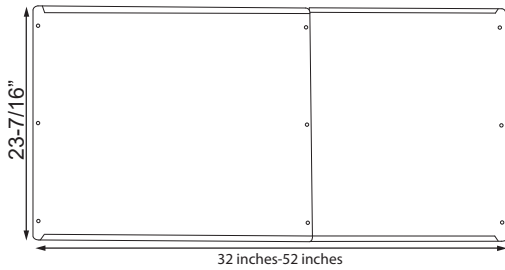


Value Series V40xEBxW shown



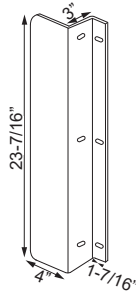
Advantex 10xW Series shown

GTPL Adjustable Gate Plate



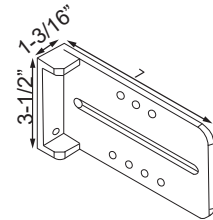
- Fits Single Gates 32" - 52" wide
- Adjustable to fit wide variety of single gates
- Sleeved together
- Fits square or round gate frames

GTPLGRD Gate Latch Protector



- Provides added security
- For use on existing gate plate application where gap is larger than 1"

GTSTKBKT Strike Latch Receiver Bracket



- Includes stainless steel U-bolt, nuts, tek-screws
- 1/4" steel with powder-coat finish
- Doubles as gate stop
- Accommodates 99 strike for Advantex 10/40 Series and V40 Series

GTPLKIT

For Advantex and Value Series applications.

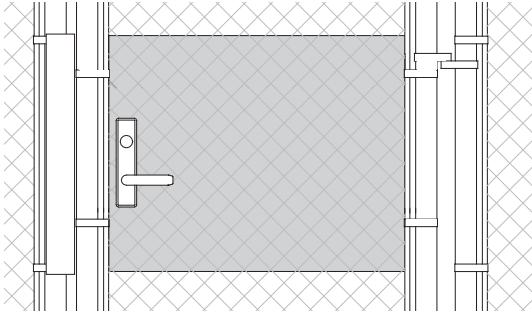
The kit includes:
 GTPL - Adjustable Gate Plate
 GTPLGRD - Gate Latch Protector
 GTSTKBKT - Strike Latch Receiver Bracket

GTPL230X

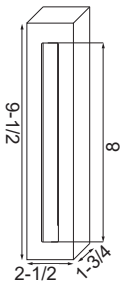
For ECL-230X applications.

The kit includes:
 GTPL - Adjustable Gate Plate
 GTPLGRD - Gate Latch Protector
 GTSTKBKT - Strike Latch Receiver Bracket
 104345 - Adapter Plate

08GSN

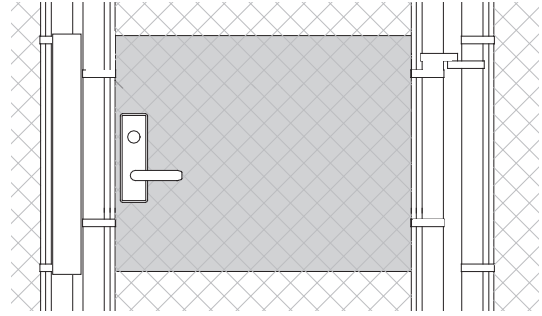


Spacer for Narrow Lever Trim

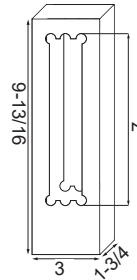


- For use with 02/08/09/14DN trims
- Narrow lever trim sold separately (specify handing)
- Extends for use with Detex spring-loaded tailpiece
- For use with Advantex and Value Series devices

08GS

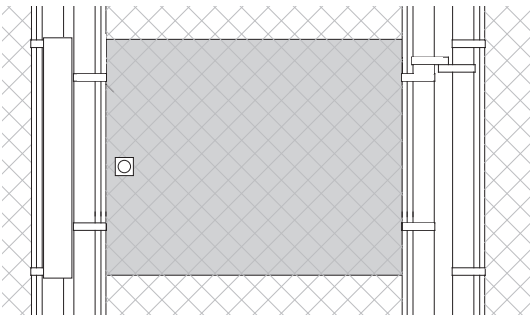


Spacer for Wide Lever Trim

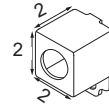


- For use with 02/08/09/14D trims
- Wide lever trim sold separately (specify handing)
- Extends for use with Detex spring-loaded tailpiece
- For use with Advantex and Value Series devices

03GS

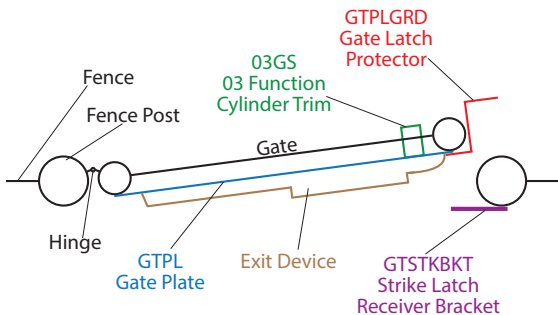


03 Function Cylinder Trim



- Optional accessory
- For use with rim cylinder on gates
- Rim cylinder required (sold separately)
- For use with Advantex, Value Series and ECL devices

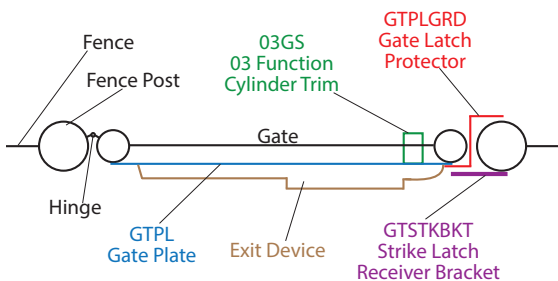
Overhead View - Gate Open



Finishes

- Silver (Std.)
- Black (Specify -BLK)

Overhead View - Gate Closed



Where Trust is Built™
DETEx®
 Life Safety, Security and Security Assurance

Detex Corporation
 302 Detex Drive
 New Braunfels, Texas 78130-3045 USA
 PH. (830) 629-2900
 (800) 729-3839
 FAX (800) 653-3839
 http://www.detex.com
 USA Sales:
 marketing@detex.com
 International Sales:
 export@detex.com

⚠ Cancer & Reproductive Harm - www.detex.com/prop65

Technical Information Contents

Cylinder Requirements

Mortise Cylinder Lengths

Cylinder Collars

Fasteners

Security Screws

Sex Bolts

10 Series Rim Mounting Plate Retrofit Chart

Compatibility With Access Control Entry Trims

Installation

Handing

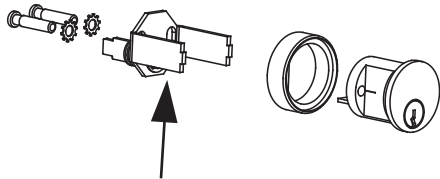
Minimum Door Widths Chart

Cylinder Requirements

Product	Rim Cylinder	Mortise Cylinder All Use Standard (Yale) Cam
Cylinder Dogging		X
Electrified Options EA, EI, EM		X
All 03 Function Trims	X	
All 08 & 09 Function Trims		X

03 Function Detail

All Advantex 03 Function outside trims are supplied with a self-adjusting tailpiece that correctly fits into the cam on the mounting plate.



101454-1 (std.) Tailpiece fits doors 1-3/4" to 2-1/4"

03 Function For Thicker Doors

- 101454-2 Tailpiece fits doors 2-1/2" to 3-1/4"
- 101454-3 Tailpiece fits doors 3-1/2" to 4"

Rim cylinder tailpieces are cut to fit into the tailpiece making the cut less critical.

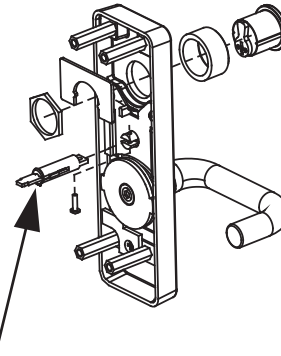
Mortise Cylinder Length

The cylinder assembly in the slide-in filler used for both the cylinder dogging and electrified options are supplied with shims to accommodate cylinder lengths from 7/8 to 1-1/4

Mortise cylinder



08 & 09 Function Detail



100772 (std.) 1-1/2" Shaft Extender

08 & 09 Function For Thicker Doors

- 100772-1 4" Shaft Extender
- 100772-2 3-1/2" Shaft Extender

Lever trims come with the adjustable tailpiece which is attached to the escutcheon.

Cylinder Collars

See Accessories for Cylinder Collar lengths.

Fasteners

Door manufacturer should be consulted for proper mounting fasteners. #14 x 1-1/4 PPH sheet metal screws and 1/4-20x 1" PHP machine screws are furnished standard on all devices and strikes. Fasteners of proper length for door thickness are furnished with devices where trims are through bolted. C and CN Pull trims are furnished with 1/4-20 through bolt for attaching bottom of pull handle.

Security Screws

For added security, pin head screws are available in two different kits.

SSK1 Security Screw Kit for Rim Devices Contains:

- 2 MS 10/32, FH, Undercut
- 4 MS 6/32 FH
- 2 MS 1/4-20 BH
- 2 SMS #14 x 1" BH Type AB
- 4 Tamper Bits required for above

SSK2 Security Screw Kit for Surface Vertical Rod Devices Contains:

- 6 MS 6-32 x 1/4" FH Undercut
- 2 MS 8-32 FH Undercut
- 2 MS 10-32 FH, Undercut
- 2 MS 1/4-20 BH
- 2 MS #14 x 1" BH Type AB
- 4 Tamper Bits required for above

Sex Bolts

If sex bolts are required, see chart below for quantity required for each device.

SN1 kit contains 2 each 1/4-20 bolts. Specify finish.

Function or Trim	Rim Devices		Surface Vertical Rod Devices		Surface Vertical Rod Top Rod Only Devices	
	10 Series	40 Series	20 Series	50 Series	21 Series	51 Series
01	6	4	10	8	6	4
02, 03	2	2	6	6	4	4
08, 09 & 14	2	2	6	6	4	4

Mounting Plates

Device	Mounting Plate	Trim Function
10 Series	BP1/BP3/BP5	01, 02, 08, 09, 14
	BP7	03
20/21 Series	BP1	01, 02, 08, 09, 14
	BP7	03
30 Series	BP9	01, 02, 03, 08, 09, 14
40 Series (V40)	BP2	01, 02, 08, 09, 14
	BP8	03
50/51 Series (V50/V51)	BP2	01, 02, 08, 09, 14
	BP8	03
60/61 Series	BP10	08, 09
	BP12	02, 03
62/63 Series	BP10	01, 08, 09, 14
	BP12	02, 03
70/71 Series	BP11	01, 08, 09, 14
	BP13	02, 03
80/81 Series	BP11	01, 08, 09, 14
	BP13	02, 03
82/83 Series	BP11	01, 08, 09, 14
	BP13	02, 03



Technical Information

10 Series

Advantex Rim Mounting Plate Retrofit Chart

Detex	Von Duprin	Sargent	Precision	Yale	Corbin Russwin
BP-1*	98/99				
BP-3		8800 (See Note)	11/2100 (See Note)		
BP-5				7100	ED5200

NOTE: BACKPLATE HOLE ALIGNMENT MAY BE OFF BY UP TO 1/16"

Advantex mounting plates BP-1, BP-3 and BP-5 are for use with 10 Series Rim Device.

Advantex mounting plates offer the ability of retrofitting the rim device using the existing door preps of the manufacturers listed above.

*Shipped standard with 10 Series Device

Hardware Templates

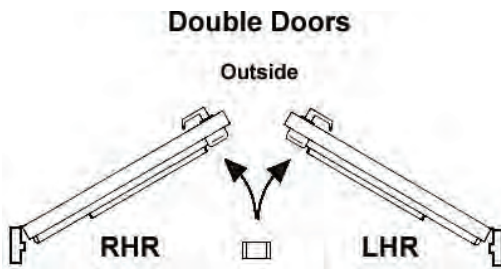
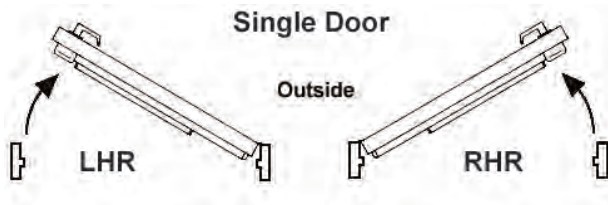
See Detex Template Policy in General Information

Compatibility with Access Control Entry Trims

Advantex will operate with the following entry trims:

- Marks iQue series
- Omni-Lock
- Onity
- Kaba Access Controls
- Trilogy

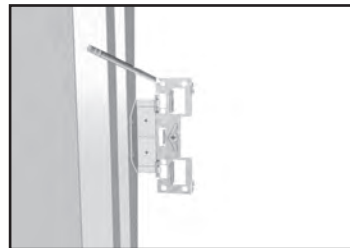
Handing



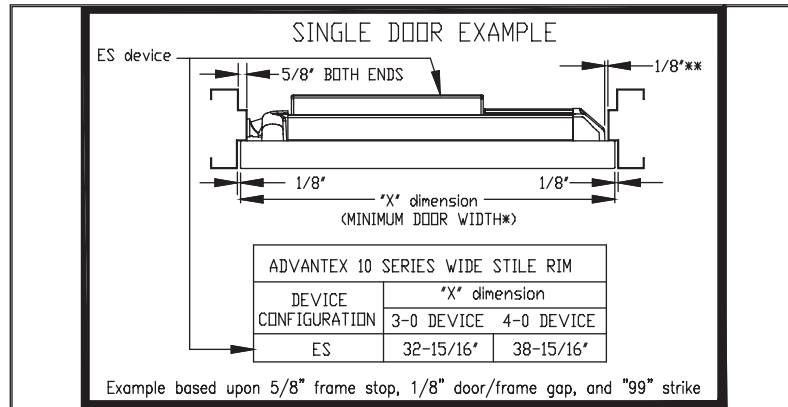
Installation

The patented Advantex mounting plate and strike locator system allows:

- Quick and easy installation by one person
- No paper templates
- Accurate backset every time
- Square up to door and frame made easy



MINIMUM DOOR WIDTHS



**DOOR SHOWN WITH 1/8" CLEARANCE FOR END CAP, SOME WEATHERSTRIP REQUIRES ADDITIONAL CLEARANCE. ADDITIONAL CLEARANCE WILL REQUIRE WIDER DOORS.

Charts are based upon 5/8" frame stop, 1/8" door/frame gap, and standard device strike (see notes)

ADVANTEX 10 SERIES - WIDE STILE RIM (99 STRIKE)		
DEVICE CONFIGURATION	"X" dimension	
	3-0 DEVICE	4-0 DEVICE
EA	33"	39"
EI	33"	39"
EM	34-3/4"	40-3/4"
EE	34-3/4"	40-34"
EExER	34-3/4"	40-3/4"
ED	34-1/8"	40-1/8"
ER	34-3/4"	40-3/4"
ES	33"	39"
EX	29"	35"
CD	29"	35"
HD	29"	35"
LD	28-3/8"	34-3/8"

- 1) For single door frames with no stop, subtract 1-1/4 from minimum door width
- 2) For Mullion application add 3/8" to each width
- 3) Standard strike for 10 Series is 99 Strike



Technical Information

MINIMUM DOOR WIDTHS CONT'D

ADVANTEK 40 SERIES -NARROW STILE RIM (98 STRIKE w/o STOPS)		
DEVICE CONFIGURATION	"X" dimension	
	3-0 DEVICE	4-0 DEVICE
EA	31-7/8"	37-7/8"
EI	31-7/8"	37-7/8"
EM	34"	40"
EE	34"	40"
ED	33-3/8"	39-3/8"
ER	34	40
ES	31-7/8"	37-7/8"
EX	27-7/8"	33-7/8"
CD	27-7/8"	33-7/8"
HD	27-7/8"	33-7/8"
LD	27-1/4"	33-1/4"

- 1) For single door frames with 5/8" stops, add 1-1/4" from minimum door width
- 2) For Mullion application add 3/8" to each door width
- 3) Standard strike for 40 Series is 98 strike with 5/8 stop, backset is 2-1/4"
- 4) Standard strike for 40 Series is 98 strike with no stop, backset is 1-1/8"

ADVANTEK 20/21 SERIES - WIDE STILE SVR, BACKSET IS 2-3/4"		
DEVICE CONFIGURATION	"X" dimension	
	3-0 DEVICE	4-0 DEVICE
EA	33"	39"
EI	33"	39"
EE	34-3/4"	40-3/4"
ED	34-1/8"	40-1/8"
ER	34-3/4"	40-3/4"
ES	33"	39"
EX	29"	35"
CD	29"	35"
HD	29"	35"
LD	28-3/8"	34-3/8"

- 1) For double door frames without stops, subtract 5/8" from minimum door width
- 2) For backset = 2", subtract 3/4" from minimum door width



Technical Information

MINIMUM DOOR WIDTHS CONT'D

ADVANTEK 50/51 SERIES - NARROW STILE SVR w/o STOPS, BACKSET IS 1-1/8"		
DEVICE CONFIGURATION	"X" dimension	
	3-0 DEVICE	4-0 DEVICE
EA	31-3/8"	37-3/8"
EI	31-3/8"	37-3/8"
EE	33-1/8"	39-1/8"
ED	32-1/2"	38-1/2"
ER	33-1/8"	39-1/8"
ES	31-3/8"	37-3/8"
EX	27-3/8"	33-3/8"
CD	27-3/8"	33-3/8"
HD	27-3/8"	33-3/8"
LD	26-3/4"	32-3/4"

1) For double door frames without stops, add 5/8" to minimum door width

ADVANTEK 30 SERIES - WIDE STILE MORTISE		
DEVICE CONFIGURATION	"X" dimension	
	3-0 DEVICE	4-0 DEVICE
EA	33"	39"
EI	33"	39"
EE	34-3/4"	40-3/4"
ED	34-1/8"	40-1/8"
ER	34-3/4"	40-3/4"
ES	33"	39"
EX	29"	35"
CD	29"	35"
HD	29"	35"
LD	28-3/8"	34-3/8"

1) For double door frames without stops, subtract 5/8" from minimum door width

Life Safety and Security Door Hardware



VALUE SERIES[®]

Value Series® Performance Specification

General

All exit devices shall be Value Series® V40 series rim devices or V50/V51 series surface vertical rod devices as manufactured by Detex Corporation, New Braunfels, TX, USA. Each exit device shall be equipped and installed with a patented mounting plate and strike locator for an accurate installation. All devices shall be available with outside trim. All devices shall be non-handed and field sizeable.

Code Compliance

The exit devices shall be listed by Underwriters Laboratories and bear the UL label for panic hardware in compliance with NFPA 80 and 101. Where required, all devices shall have a UL label for Fire Exit Devices listed for use on fire rated doors up to and including A label, three hours. UL labeled Fire Exit Devices shall be listed for door opening sizes up to 4'0" x 10'0" on single doors and 8'0" x 8'0" on door pairs with an F90KR Keyed Removable Mullion.

Where required, all rim devices shall have a Miami-Dade County, Florida label indicating hurricane listing.

All exit devices shall be certified to meet ANSI/BHMA requirements, and conform to ADA and California Title 19 requirements.

Design

All exit devices shall be of impact resistant ABS and a structurally engineered extruded aluminum body. The end cap shall be designed with a tapered angle of 38 degrees to deflect damage away from the device. All exit devices shall be designed with base plate-mounted pushpads and internally ribbed aluminum extrusion rails to dissipate excessive force to the pushpad and prevent damage to the operating mechanisms.

All latch bolts shall be stainless steel material with a deadlocking feature for increased security.

Hex key dogging shall be a standard feature for all non-fire rated exit devices. Optional features include cylinder dogging or less dogging. All dogging will be accomplished with no more than a one-eighth turn of the hex key or cylinder key to minimize the risk of repetitive motion injuries.

The through-bolted modular design of all exit devices shall accommodate a variety of different trims and functions without altering the exit device. It shall not be necessary to remove the device from the door for keyed changes or standard maintenance.

Options

Optional slide in filler plates shall be available for all exit devices to accommodate optional dogging types, alarm and other electrified features.

Warranty

Detex Value Series® panic hardware, when properly installed, used and maintained, is warranted to be free of defects in material and workmanship. We will, for a period of ten (10) years from the date of purchase, repair or replace any part which, upon our examination, proves to be defective under normal use. Electrical components, when properly installed, used and maintained, are warranted to be free of defects in material and workmanship for a period of three (3) year. This warranty will be honored only upon presentation of proof that the product covered thereby was purchased directly from an authorized Detex distributor. We shall not be liable for any direct, incidental or consequential loss or damage arising out of the failure of this panic hardware to operate.

Applications & Listings

Single Door

Device Type	Application	Maximum Opening	UL & ULC Fire Rating					
			(A) 3 HOUR	(B) 1-1/2 HOUR	(C) 3/4 HOUR	(D) 1-1/2 HOUR	(E) 3/4 HOUR	20 MIN.
Rim Series FV40	Surface applied: Single point latching	4' x 10'	•	•	•	•	•	•
Surface Vertical Rod Series FV50	Surface applied: Two point latching	4' x 10'	•	•	•	•	•	•
Surface Vertical Rod (Top Rod Only) Series FV51	Surface applied: Single point latching	4' x 10'	•	•	•	•	•	•

Pairs of Doors

Device Type	Application	Maximum Opening	UL & ULC Fire Rating					
			(A) 3 HOUR	(B) 1-1/2 HOUR	(C) 3/4 HOUR	(D) 1-1/2 HOUR	(E) 3/4 HOUR	20 MIN.
Rim x Mullion FV40 x FV40 x F90KR	Two independent active doors with removable mullion	8' x 8'	•	•	•	•	•	•
Surface Vertical Rod FV50	Two independent active doors with two point locking	8' x 10'	•	•	•	•	•	•
Surface Vertical Rod (Top Rod Only) FV51	Two independent active doors with single point locking	8' x 10'	•	•	•	•	•	•

When used on wood or composite doors, certain limitations may apply. It is advised that the door manufacturer be consulted for its fire-rating capabilities and requirements.



ADA Compliant



Exceeds life safety and all building code requirements



UL listed panic and fire exit hardware. Fire rated for 3 hours



All Value Series® devices are certified ANSI/BHMA A-156.3-2001 Grade 1

Meets requirement of EC Standard BS EN 1125: 1997/A1:2001



Miami-Dade County, Florida } V40 Only
NOA 10-0303.02 Exp. 04/07/15

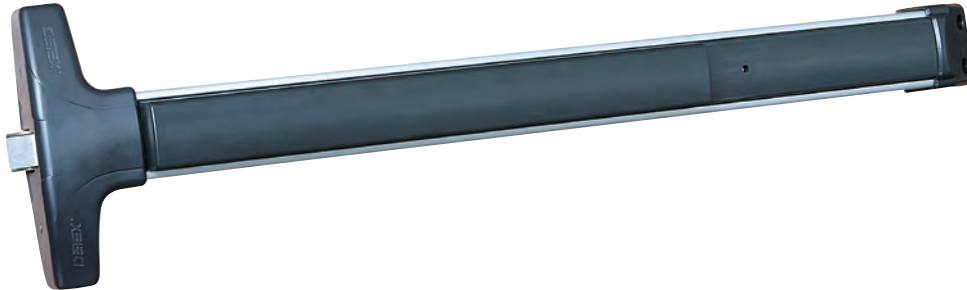
State of Florida Approval - FL9052



Some Models are UL Canada listed panic and fire exit hardware. Fire rated for 3 hours

Contact Factory





Exit Device Types

V40 Series - Rim Exit Device

V40xNS - Narrow Stile Rim Exit Device

V40xW Series - Weatherized Rim Exit Device

V50 Series - Surface Vertical Rod Device

V50xNS Series - Narrow Stile Surface Vertical Rod Device

V50xW Series - Weatherized Surface Vertical Road Device

V51 Series - Surface Vertical Rod Device - Top Rod Only

V51xW Series - Weatherized Surface Vertical Rod - Top Rod Only

VALUE SERIES® V40 SERIES (RIM)

RATING

For no rating, leave blank

"H" = Hurricane

"F" = Fire Rated (Less/No Dogging Only)

"FH" = Hurricane and Fire Rated

SERIES TYPE

V40 = Rim device, wide stile
V40xW = Weatherized Rim device, wide stile (non-electrified)
V40xNS = Rim device, narrow stile
V40xNSxW = Weatherized Rim device, narrow stile (non-electrified)

OUTSIDE TRIM FINISH

626 = Brushed chrome (D/WS trims)
628 = Brushed Aluminum (P/PN trims)
689 = Aluminum (BN/A/AN trims)
693 = Black, powder coated (BN/A/AN trims)
711 = Black, Aluminum (P/PN trims)

DEVICE FINISH

628 = Brushed Aluminum*
711 = Black, Aluminum

DOGGING FUNCTION

LD = Less/No dogging
HD = Hex key dogging
CD = Cylinder key dogging

STRIKES

98 = Semi-Mortise (std. on V40xNS)
99 = Surface (std. on V40)
94 = Double-Door (least secure)

PRE-INSTALLED CYLINDERS

If cylinders provided by others, leave blank

MC65 = Mortise Cylinder(s) 6pin/Keyed 5
IC7 = Mortise Cylinder(s) SFIC housing
IK7 = Mortise Cylinder(s) InstaKey housing
RC65 = Rim Cylinder(s) 6pin/Keyed 5
IC7R = Rim Cylinder(s) SFIC housing
IK7R = Rim Cylinder(s) InstaKey housing

POWER TRANSFERS

FC3 = 3' Flex Conduit
FC10 = 10' Flex Conduit
FC3W = 3' Weatherized Flex Conduit
FC10W = 10' Weatherized Flex Conduit
PT5 = Power Transfer
EH8 = Electric Hinge

PUSHPAD COLOR

Contact factory for other languages and colors
BLK = Black
RWE = Red Pushpad / White English Lettering

KEYSTOP

For no keystone, leave blank
KS = Key Stop (Available with EA, EBxW, EE, EI functions)

DOOR WIDTH

36" wide door (3")*
48" wide door (4")

FASTENERS

For Standard machine, wood & self-drilling screws, leave blank
SN1 = Sex Nuts/Throughbolts (Hurricane rated hardware includes sex nuts for latch bolt)

OUTSIDE TRIM FUNCTION & FINISH

01P = Exit only, blank plate
03P = Key retracts latch
01PN = Exit only, blank plate; narrow trim
03PN = Key retracts latch; narrow trim
03WS = Key retracts latch
02A = Dummy pull
03A = Key retracts pull; pull trim
02AN = Dummy pull; narrow trim
03AN = Key retracts pull - pull trim; narrow trim
02BN = Dummy lever; narrow trim
08BN = Active lever, key locks/unlocks lever; narrow trim (handed) (classroom)
09BN = Lever trim active by key, locked when key removed; narrow trim (handed) (storeroom)
14BN = Active lever, no key cylinder; narrow trim (handed) (passage)
02D2W = Dummy lever; wide trim (two posts for use with narrow head device)
08D2W = Active lever, key locks/unlocks lever; wide trim (two posts for use with narrow head device) (classroom)
09D2W = Lever trim active by key, locked when key removed; wide trim (two posts for use with narrow head device) (storeroom)
14D2W = Active lever, no key cylinder; wide trim (two posts for use with narrow head device) (passage)
EU2W = Electric lock/unlock; wide trim (two posts for use with narrow head device) - 24VDC & Fail Secure (FSE) Std. - Specify handing (not field reversible). For 12VDC specify VDC. For Fail Safe specify FSA
CBK = Cylinder Bracket Kit, 03 only, plate & pull handle by others required

DOOR HANDING

RHR = Right hand reverse*
LHR = Left hand reverse

ELECTRIFIED FUNCTION

For no electrified function, leave blank

Standard

Select Arming Time and Auto Rearm

EA = Hardwired Elec. Alarm (Formerly EH/EHxR)
EB = Elec. Alarm with Battery
ED = Elec. Dogging
EX = Request To Exit (Signal) Switch
EXV = Request To Exit (Current) Switch
EI = Elec. Integration (logic controller required)
ES = Elec. Switching (dead latch & OKC switches)

Delayed Egress

Select Arming Delay, Delayed Egress

Time and Silent Arming
EE = Delayed Egress

Delayed Egress Only (EE)

Comes standard with 90-800 power supply
Single = (1) 90-800 w/o bat backup
Pair = (1) 90-800 w/o bat backup

Weatherized Alarms

Select Arming Time and Auto Rearm

EB W = Elec. Battery Operated Exit Alarm Weatherized

Latch Retraction

ER EX = Elec. Latch Retraction with Request To Exit Switch (silencer standard)
ER EX W = Elec. Latch Retraction Weatherized with Request To Exit Switch (silencer standard)

Latch Retraction Only (ER & ER W)

(Sold Separately)

Single = 81-800
Pair = 82-800
2 Single = 83-800

Weatherized Others

ER EX W = Elec. Latch Retraction Weatherized with Request To Exit Switch (silencer standard)
EX W = Request To Exit (Signal) Switch Weatherized
EXV W = Request To Exit (Current) Switch Weatherized
WDE = Weatherized Delayed Egress (see EasyKits)

Fire-rated trims must be Fail Safe (FSA)

All fire-rated devices Less Dogging/fail safe

NOTE: * = default/standard

Also see online version at detex.com/hto

September 6, 2018



Detex products can expose you to chemicals including Chromium (hexavalent compounds) and Lead, which are known to the State of California to cause cancer and birth defects or other reproductive harm. For more information go to www.detex.com/prop65

VALUE SERIES®

V40

Rim Exit Device

The V40 Series **rim exit device** is secure and durable **panic and fire exit hardware** at an economical price. It is designed for use on all types of single and double doors with mullions. The patented mounting plate and strike locator system ensures the easiest and most accurate installation of panic hardware available.



V40
(628 Finish)



V40
(711 Finish)

**ANSI 156.3 - 2008
Grade 1
Type 1**

Standard V40 Rim Device accommodates wide stile doors, 4" or greater stile, and flush doors. For Narrow Stile doors, 2" to 2 1/2" stiles, specify V40xNS model which provides a 2" longer device and a lower profile strike.

Benefits

- Priced to be the best value for durable and attractive loss prevention panic hardware
- Patented mounting plate and strike locator replaces paper templates
- Minimal door prep saves time and money
- Fast and easy installation saves time and money
- Fits almost any door in any décor
- Outside trims are easily changed or rekeyed without removing device from door
- Angled end cap deflects damage away from device

Features

- Covers a 161 door prep
- Stainless steel, 3/4" deadlocking Pullman-type latch bolt
- Non-handed
- Field sizeable
- 1/8 turn hex key dogging
- Heavy-duty ribbed aluminum rail extrusion
- High impact ABS and anodized surfaces
- Withstands over 1400 pounds of static pull force for greater security
- Modular design accepts a variety of outside trims and functions
- Standard and narrow stile pull trims available

Mechanical Options

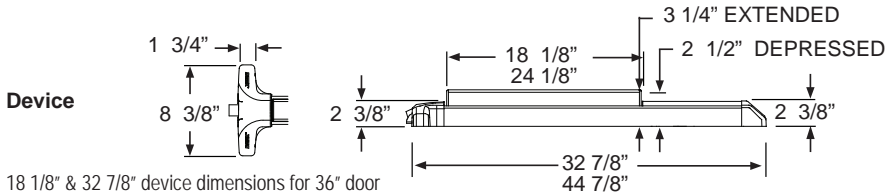
- CD - Cylinder Dogging
- HD - Hex Dogging (Std.)
- LD - Less Dogging
- 36 - Fits 36" Door Width (Std.)
- 48 - Fits 48" Door Width
- For Narrow Stile that fits 2" Narrow stile glass door see V40xNS
- F - 3-Hour Fire Rated
- H - Hurricane Rated
- 99 - Surface Strike (Std.)
- 98 - Semi Mortise Strike
- Available with 628 Base Rail Extrusion (Std.)
- Available with 711 Base Rail Extrusion
- FC3 - Flexible 3' Conduit Kit, mounts to device end cap
- FC10 - Flexible 10' Conduit Kit, mounts to device end cap
- PT5 - Concealed mortise mount power transfer
- EH8 - Five-knuckle energy transfer hinge - 8 wires

For full list of available mechanical options, see V40 Series How To Order page

Electrical Options

- Exit Alarm (EA)
- Exit Alarm with 9 volt Battery (EB)
- Electric Dogging (ED)
- Delayed Egress (EE)
- Electric Integration (EI)
- Electric Latch Retraction with Request to Exit Switch (ER EX)
- Electric Switching (ES)
- Request to Exit (EX)

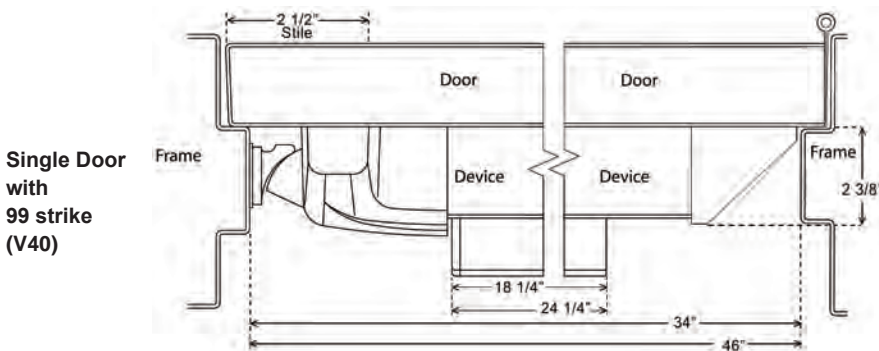
Dimensions



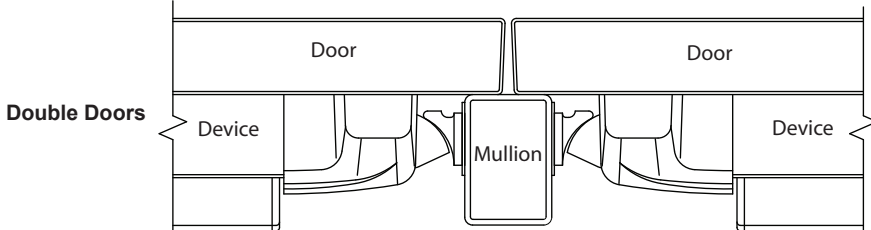
18 1/8" & 32 7/8" device dimensions for 36" door

24 1/8" & 44 7/8" device dimensions for 48" door

Add 2" for NS



Single Door with 99 strike (V40)



Double Doors

Accessories

- SN1 - Sex Nut Fasteners
- GB2 - Glass Bead Kit
- NSK- Narrow Kit - for 2" narrow stile glass door applications that must be added in the field
- Outside Trim (see Value Series Trim Options)
- Optional Sex Nuts or Security Torx Screws available

Technical Information

- Door Types - Wood, Hollow Metal, Fiberglass or Aluminum
- Door Thickness - Fits standard 1-3/4" - 2-1/4"
- Single Door Stile - Fits 3-1/2" minimum stile doors with 99 surface strike (Std.)
- Pairs of Doors Stile - Fits 4" minimum stile doors with 99 surface strike
- Door Stile - Fits 2" narrow stile doors - specify NS
- Machine and Self-Drilling Screws (Std.)

Detex Limited Warranty

10 Year Mechanical/3 Year Electrical Limited Manufacturer's Warranty

Listings and Approvals



UL Listed Panic Hardware

UL Listed Fire Exit Hardware for 3 hours, maximum 4'x10' single doors and pairs of 4'x8' with F90KR keyed removable mullion



Meets ADA requirements



ANSI/BHMA certified A156.3



ULC Standard 7-2 and UL10B/UL10C for positive pressure



Meets NFPA 80 & 101 for Life Safety



State of Florida Approval

Texas Department of Insurance



California State Fire Marshall

Where Trust is Built™
DETEx[®]
Life Safety, Security and Security Assurance

Detex Corporation
302 Detex Drive
New Braunfels, Texas 78130-3045 USA
PH. (830) 629-2900
(800) 729-3839
FAX (800) 653-3839
<http://www.detex.com>
USA Sales:
marketing@detex.com
International Sales:
export@detex.com

For detailed windstorm and fire listings, visit www.detex.com/PROVEN

Cancer & Reproductive Harm - www.detex.com/prop65

VALUE SERIES®

V40xNS SERIES

Narrow Stile Rim Exit Device

The V40xNS Series narrow stile **rim exit device** is secure and durable **panic and fire exit hardware** at an economical price. It is designed for use on narrow stile single and double doors with mullions. The patented mounting plate and strike locator system ensures the easiest and most accurate installation of panic hardware available. Extended length enables V40xNS to span stiles on 2" narrow stile doors.



V40xNS
(628 Finish, Standard)



V40xNSx711
(711 Finish)

ANSI 156.3 - 2008
Grade 1
Type 4

V40xNS Rim Exit Device accommodates narrow stile doors, 2" to 3-1/2" stile width.

Benefits

- Priced to be the best value for durable and attractive panic hardware
- Patented mounting plate and strike locator replaces paper templates
- Minimal door prep saves time and money
- Fast and easy installation saves time and money
- Angled end cap deflects damage away from device
- Outside trims are easily changed or rekeyed without removing device from door
- Fits almost any door in any décor

Features

- Covers a 161 door prep
- Stainless steel, 3/4" deadlocking Pullman-type latch bolt
- Non-handed
- Field sizeable
- 1/8 turn hex key dogging
- Ribbed aluminum rail extrusion
- High impact ABS and anodized surfaces
- Withstands over 1400 pounds of static pull force
- Modular design accepts a variety of outside trims and functions
- Standard and narrow stile pull trims available

Mechanical Options

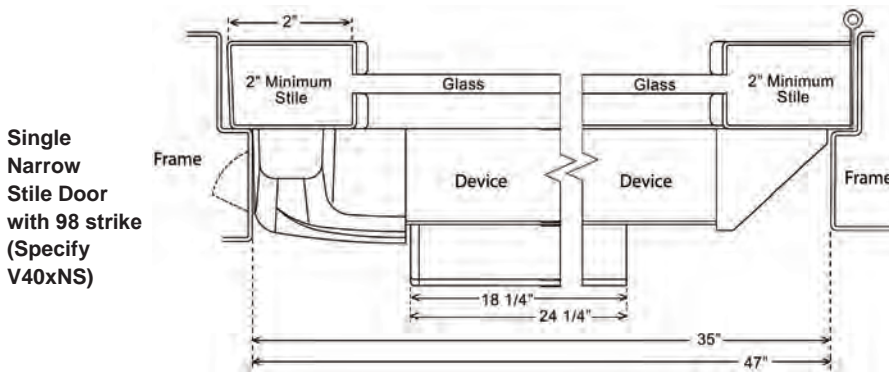
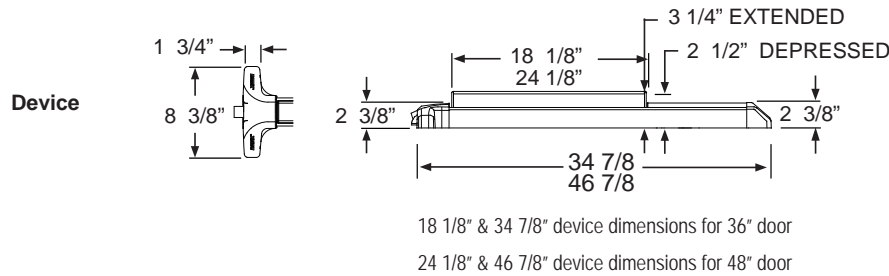
- CD - Cylinder Dogging
- HD - Hex Dogging (Std.)
- LD - Less Dogging
- 36 - Fits 36" Door Width (Std.)
- 48 - Fits 48" Door Width
- F - 3-Hour Fire Rated
- H - Hurricane Rated
- 98 - Semi Mortise Strike (Std.)
- Available with 628 Base Rail Extrusion (Std.)
- Available with 711 Base Rail Extrusion
- FC3 - Flexible 3' Conduit Kit, mounts to device end cap
- FC10 - Flexible 10' Conduit Kit, mounts to device end cap
- PT5 - Concealed mortise mount power transfer
- EH8 - Five-knuckle energy transfer hinge - 8 wires

For full list of available mechanical options, see V40 Series How To Order page

Electrical Options

- Exit Alarm (EA)
- Exit Alarm with 9 volt Battery (EB)
- Electric Dogging (ED)
- Delayed Egress (EE)
- Electric Integration (EI)
- Electric Latch Retraction with Request to Exit Switch (ER EX)
- Electric Switching (ES)
- Request to Exit (EX)

Dimensions



For Pairs of Doors with Stiles 2 1/2" and wider, use V40xNS with 90KR Mullion.
For Pairs of Doors with Stiles 2" wide, use store front mullion by others.

Listings and Approvals



UL Listed Panic Hardware



UL 10B/UL 10C for positive pressure



UL Listed Fire Exit Hardware for 3 hours, maximum 4'x10' single doors and pairs of 4'x8' with F90KR keyed removable mullion



Meets NFPA 80 & 101 for Life Safety



Meets ADA requirements



State of Florida Approval

Texas Department of Insurance



ANSI/BHMA certified A156.3



California State Fire Marshall

For detailed windstorm and fire listings, visit www.detex.com/PROVEN

Accessories

- SN1 - Sex Nut Fasteners
- GB2 - Glass Bead Kit
- Outside Trim (see Value Series Trim Options)
- Optional Sex Nuts or Security Torx Screws available

Technical Information

- Door Types - Wood, Hollow Metal, Fiberglass or Aluminum
- Door Thickness - Fits standard 1-3/4" - 2-1/4"
- Door Stile - Fits 2" narrow stile doors when specifying NS (includes lower profile strike)
- Machine and Self-Drilling Screws (Std.)

Detex Limited Warranty

10 Year Mechanical/3 Year Electrical Limited Manufacturer's Warranty

Where Trust is Built™

DETEx®
Life Safety, Security and Security Assurance

Detex Corporation
302 Detex Drive
New Braunfels, Texas 78130-3045 USA
PH. (830) 629-2900
(800) 729-3839
FAX (800) 653-3839
<http://www.detex.com>
USA Sales:
marketing@detex.com
International Sales:
export@detex.com

⚠ Cancer & Reproductive Harm - www.detex.com/prop65

VALUE SERIES®

V40xW

Weatherized Rim Exit Device

The V40xW Series **rim exit device** is secure and durable **panic and fire exit hardware** at an economical price. It is designed for use on all types of single and double doors and gates with mullions that are or may be exposed to the weather. The patented mounting plate and strike locator system ensures the easiest and most accurate installation of panic hardware available. In addition to listing as UL panic and fire exit hardware device, this device conforms to UL1034-34 Temperature Section 34, UL1034-54 Dust Section 54, MIL-STD 810F, Method 506.4 (driving rain test); MIL-STD 810F, Method 509.4 (salt fog test) and UBC standard 7-2 (positive pressure).



**ANSI 156.3 - 2001
Grade 1
Type 1**

**V40xW
(628 Finish)**



**V40xW
(711 Finish)**



Benefits

- Priced to be the best value for durable and attractive loss prevention panic hardware
- Minimal door prep saves time and money
- Outside trims are easily changed or rekeyed without removing device from door
- Angled end cap deflects damage away from device
- Patented mounting plate and strike locator replaces paper templates
- Fast and easy installation saves time and money
- Fits almost any door in any décor

Features

- Covers a 161 door prep
- 1/8 turn hex key dogging
- Withstands over 1400 pounds of static pull force for greater security
- Stainless steel, 3/4" deadlocking Pullman-type latch bolt
- Ribbed aluminum rail extrusion
- Modular design accepts a variety of outside trims and functions
- Non-handed
- High impact ABS and anodized surfaces
- Standard and narrow stile pull trims available
- Field sizeable

Mechanical Options

- CD - Cylinder Dogging
- F - 3-Hour Fire Rated
- FC3W - Weatherized 3' Flex Conduit Kit, mounts to device end cap
- HD - Hex Dogging (Std.)
- H - Hurricane Rated
- FC10W - Weatherized 10' Flex Conduit Kit, mounts to device end cap
- LD - Less Dogging
- NS - Narrow stile door option
- 36 - Fits 36" Door Width (Std.)
- Available with 628 Base Rail Extrusion (Std.)
- 48 - Fits 48" Door Width
- Available with 711 Base Rail Extrusion
- 99 - Surface Strike (Std.)
- 98 - Semi Mortise Strike

For full list of available mechanical options, see V40 Series How To Order page

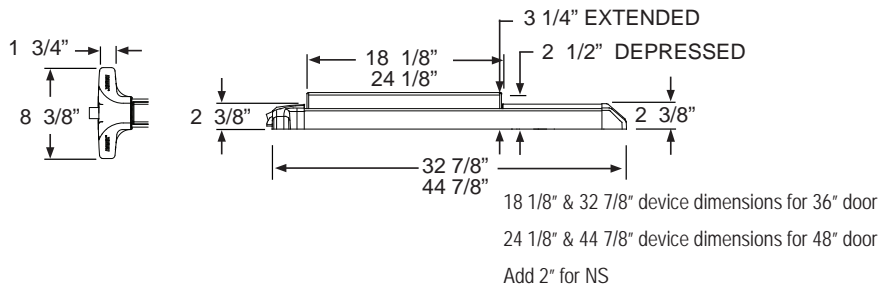
Electrical Options

- Weatherized Exit Alarm (EB W)
- Weatherized Request to Exit High Voltage (EXV W)

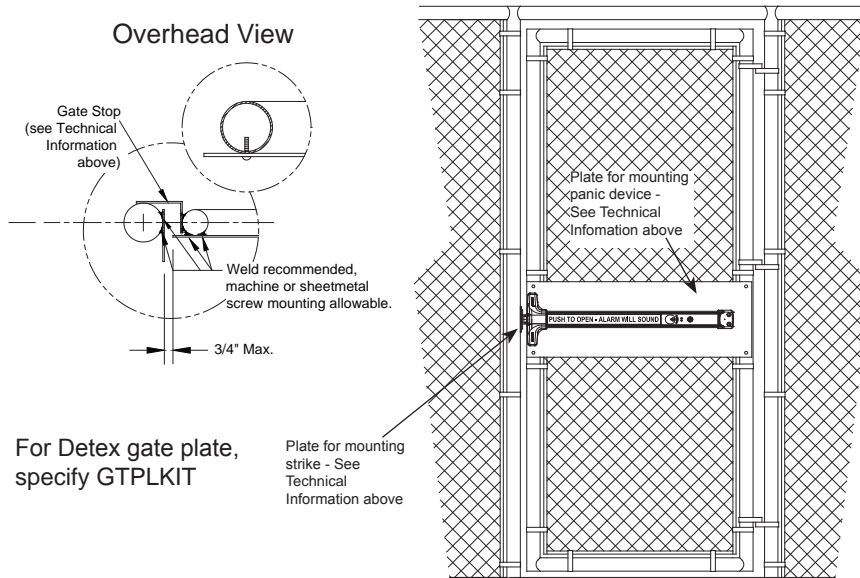
- Weatherized Request to Exit (EX W)

Refer to Electrified Options section for more information

Dimensions



Single Gate Riser



Accessories

- SN1 - Sex Nut Fasteners
- GB2 - Glass Bead Kit
- NSK- Narrow Kit - for 2" narrow stile glass door applications that must be added in the field
- GTPLKIT - Adjustable Gate Plate
- Outside Trim (see Value Series Trim Options)
- Optional Sex Nuts or Security Torx Screws available

Technical Information

- Door Types - Wood, Hollow Metal, Fiberglass or Aluminum
- Door Thickness - Fits standard 1-3/4" - 2-1/4"
- Door Stile - Fits 2-1/2" stile doors with 99 surface strike (Std.)
- Door Stile - Fits 2" narrow stile doors - specify NS
- Machine and Self-Drilling Screws (Std.)
- **Recommended Plate Size**
Gate - 1/8" thick plate, galvanized, or painted steel or 1/4" thick aluminum plate, minimum Height - 10"
Strike - 1/8" thick plated, galvanized, painted steel plate, angle iron, or 1/4" thick aluminum plate, minimum Height - 5"

Stop - 1/8" thick plated, galvanized, or painted angle iron or 1/4" thick aluminum angle plate, minimum Height - 2"

Listings and Approvals



UL Listed Panic Hardware



IBC 97, Standard 7-2 and UL10B/UL10C for positive pressure



UL1034-34 Temperature Section 34 [Temperature Range -31°F (-35° C) to 150° F (+66° C)]



State of Florida Approval

UL1034-54 Dust Section 54

Texas Department of Insurance



Meets ADA requirements

MIL-STD 810F (G), Method 509.4 (Salt Fog Test)



ANSI/BHMA certified A156.3

MIL-STD 810F (G), Method 506.4 (Driving Rain), Procedure 1

Detex Limited Warranty

10 Year Mechanical/3 Year Electrical Limited Manufacturer's Warranty

Where Trust is Built™
DETEx®
Life Safety, Security and Security Assurance

For detailed windstorm listings, visit www.detex.com/PROVEN

Detex Corporation
302 Detex Drive
New Braunfels, Texas 78130-3045 USA
PH. (830) 629-2900
(800) 729-3839
FAX (800) 653-3839
<http://www.detex.com>
USA Sales:
marketing@detex.com
International Sales:
export@detex.com

Cancer & Reproductive Harm - www.detex.com/prop65

VALUE SERIES® V50 SERIES (SURFACE VERTICAL ROD)

RATING

For no rating, leave blank

"H" = Hurricane (V50 & V50xW only)

"F" = Fire Rated (Less/No Dogging Only)

"FH" = Hurricane and Fire Rated

SERIES TYPE

V50 = SVR, wide stile

V50xW = Weatherized SVR, wide stile (non-electrified)

V50xNS = SVR, narrow stile

V50xNSxW = Weatherized SVR, narrow stile (non-electrified)

V51 = SVR, top rod only, wide stile

V51xW = Weatherized SVR, top rod only, wide stile (non-electrified)

V51xNS = SVR, top rod only, narrow stile

V51xNSxW = Weatherized SVR, top rod only, narrow stile (non-electrified)

OUTSIDE TRIM FINISH

626 = Brushed chrome (D/WS trims)

628 = Brushed Aluminum (P/PN trims)

689 = Aluminum (BN/A/AN trims)

693 = Black, powder coated (BN/A/AN trims)

711 = Black, Aluminum (P/PN trims)

DOGGING FUNCTION

LD = Less/No dogging

HD = Hex key dogging

CD = Cylinder key dogging

DEVICE FINISH

628 = Brushed Aluminum*

711 = Black, Aluminum

STRIKES

96 = Surface non-roller top strike and non-dust proof bottom strike*

96B = Substitute 96 bottom strike for Dust Proof strike

PRE-INSTALLED CYLINDERS

If cylinders provided by others, leave blank

MC65 = Mortise Cylinder(s) 6pin/Keyed 5

IC7 = Mortise Cylinder(s) IC housing

IK7 = Mortise Cylinder(s) InstaKey housing

RC65 = Rim Cylinder(s) 6pin/Keyed 5

IC7R = Rim Cylinder(s) IC housing

IK7R = Rim Cylinder(s) InstaKey housing

Specify KA for Keyed Alike

Trim

Device

PUSHPAD COLOR

Contact factory for other languages and colors

BLK = Black

RWE = Red Pushpad / White English Lettering

POWER TRANSFERS

FC3 = 3' Flex Conduit

FC10 = 10' Flex Conduit

FC3W = 3' Weatherized Flex Conduit

FC10W = 10' Weatherized Flex Conduit

PT5 = Power Transfer

EH8 = Electric Hinge

OUTSIDE TRIM STYLE & FINISH

01P = Exit only, blank plate

03P = Key retracts latch

01PN = Exit only, blank plate; narrow trim

03PN = Key retracts latch; narrow trim

03WS = Key retracts latch

02A = Dummy pull

03A = Key retracts pull; pull trim

02AN = Dummy pull; narrow trim

03AN = Key retracts pull - pull trim; narrow trim

02BN = Dummy lever; narrow trim

08BN = Active lever, key locks/unlocks lever; narrow trim (handed) (classroom)

09BN = Lever trim active by key, locked when key removed; narrow trim (handed) (storeroom)

14BN = Active lever, no key cylinder; narrow trim (handed) (passage)

02D2W = Dummy lever; wide trim (two posts for use with narrow head device)

08D2W = Active lever, key locks/unlocks lever; wide trim (two posts for use with narrow head device) (classroom)

09D2W = Lever trim active by key, locked when key removed; wide trim (two posts for use with narrow head device) (storeroom)

14D2W = Active lever, no key cylinder; wide trim (two posts for use with narrow head device) (passage)

EU2W = Electric lock/unlock; wide trim (two posts for use with narrow head device) (24VDC & Fail Secure [FSE] Std.) - Specify handing (not field reversible). For 12VDC specify VDC. For Fail Safe specify FSA

CBK = Cylinder Bracket Kit, 03 only, plate & pull handle by others required

DOOR HANDING

RHR = Right hand reverse*

LHR = Left hand reverse

KEYSTOP

KS = Key Stop (Available with EA, EE, EEExR, EI functions)

DOOR WIDTH

36" wide door (3')*

48" wide door (4')

DOOR HEIGHT/SVR HEIGHT

84" high door

96" high door

120" high door

FASTENERS

For Standard machine, wood & self-drilling screws, leave blank

SN1 = Sex Nuts/Throughbolts (Hurricane rated hardware includes sex nuts for top latch and bottom bolt)

ELECTRIFIED FUNCTION

For no electrified function, leave blank

Standard

Select Arming Time and Auto Rearm

EA = Hardwired Elec. Alarm (Formerly EH/EHxR)

EB = Elec. Alarm with Battery

ED = Elec. Dogging

EX = Request To Exit (Signal) Switch

EXV = Request To Exit (Current) Switch

Delayed Egress

Select Arming Delay, Delayed Egress Time and Silent Arming

EE = Delayed Egress

Delayed Egress Only (EE)

Comes standard with 90-800 power supply

Single = (1) 90-800 w/o bat backup

Pair = (1) 90-800 w/o bat backup

Weatherized Alarms

Select Arming Time and Auto Rearm

EB W = Elec. Battery Operated Exit Alarm Weatherized

Latch Retraction

ER EX = Elec. Latch Retraction with Request To Exit Switch (silencer standard)

ER EX W = Elec. Latch Retraction Weatherized with Request To Exit Switch (silencer standard)

Latch Retraction Only (ER)

(Sold Separately)

Single = 81-800

Pair = 82-800

2 Single = 83-800

Fire-rated trims must be Fail Safe (FSA)

All fire-rated devices Less Dogging/fail safe

NOTE: * = default/standard

Also see online version at detex.com/hto

September 6, 2018



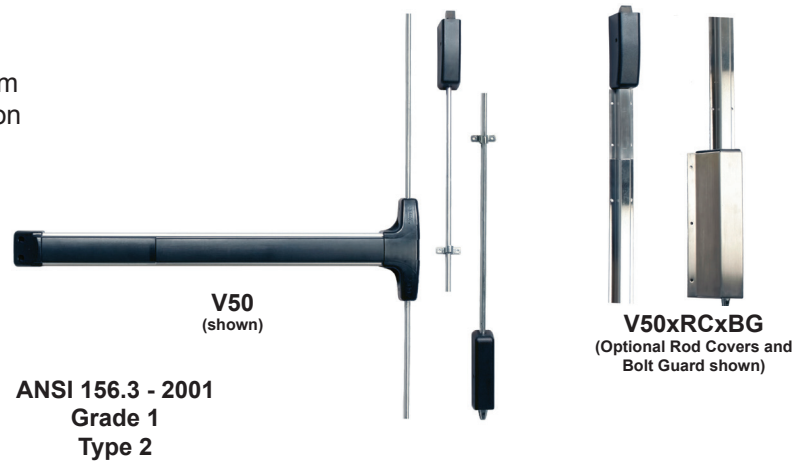
Detex products can expose you to chemicals including Chromium (hexavalent compounds) and Lead, which are known to the State of California to cause cancer and birth defects or other reproductive harm. For more information go to www.detex.com/prop65

VALUE SERIES®

V50/V51 SERIES

Surface Vertical Rod Device

The **V50 Series**, surface vertical rod exit device and **V51 Series**, top rod exit device are heavy-duty **panic** and **fire exit hardware** for use on all types of double doors without a mullion. The patented mounting plate and strike locator system ensures the easiest and most accurate installation in an economical panic device.



Benefits

- Priced to be the best value for durable, attractive panic hardware
- Patented mounting plate and strike locator replaces paper templates
- Minimal door prep saves time and money
- Fast and easy installation saves time and money
- Angled end cap deflects damage away from device
- Fits any door in almost any décor
- Outside trims are easily changed or rekeyed without removing device from door

Features

- Stainless steel 3/4" deadlocking top latch bolt
- Bottom drop bolt, 5/8" dia. x 5-5/8" long secures into strike plate
- Handed, field reversible
- Field sizable
- 1/8 turn dogging
- Ribbed aluminum rail extrusion
- Impact resistant ABS and anodized surfaces
- Modular design accepts a variety of outside trims and functions
- Standard and narrow stile pull trims available

Mechanical Options

- H - Hurricane Rated
- F - 3-Hour Fire Rated
- HD - Hex Dogging (Std.)
- CD - Cylinder Dogging
- LD - Less Dogging
- 36 - Fits 36" Door Width (Std.)
- 48 - Fits 48" Door Width
- For Narrow Stile that fits 2" Narrow stile glass door see V50xNS/ V51xNS
- 84 - Fits 7' Door Height (Std.)
- 96 - Fits 8' Door Height
- 120 - Fits 10' Door Height
- RC - Rod Covers (630 Brushed Stainless)
- BG - Bottom bolt and 12" ADA ramped cover (630 Brushed Stainless)
- 96 Surface top stike top (Std.)
- 96B Bottom dust proof strike
- Available with 628 base rail extrusion
- Available with 711 base rail extrusion
- FC3 - Flexible 3' Conduit Kit, mounts to device end cap
- FC10 - Flexible 10' Conduit Kit, mounts to device end cap
- PT5 - Concealed mortise mount power transfer
- EH8 - Five-knuckle energy transfer hinge - 8 wires

For full list of available mechanical options, see V50 Series How To Order page

Electrical Options

- Exit Alarm (EA)
- Electric Battery Alarm (EB)
- Delayed Egress (EE)

Refer to Electrified Options section for more information

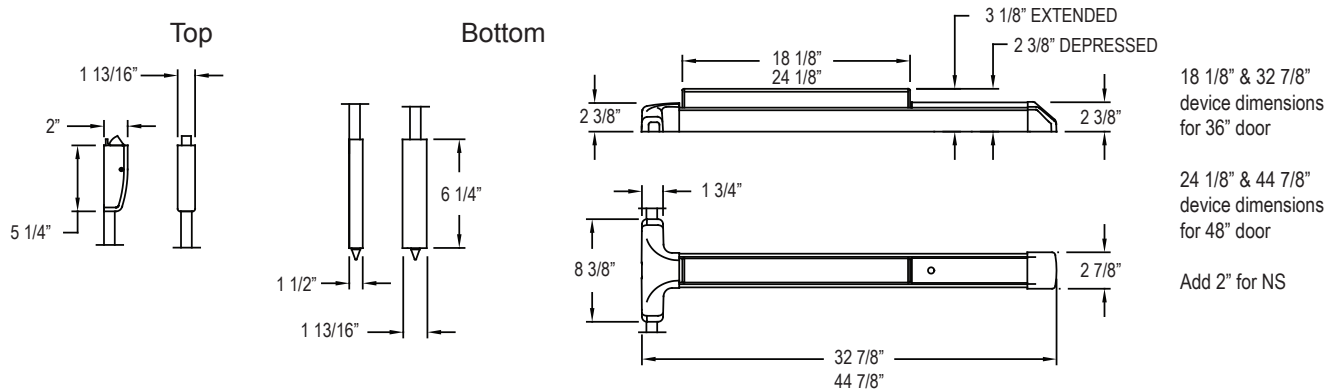
Accessories

- Outside Trim (see Value Series Trim Options)
- SN1 - Sex Nut Kit (2 per package)
- GB# - Glass Bead Kits
- NSK - Narrow Kit for 2" narrow stile glass door applications

Technical Information

- Door Stile - Fits 3-1/2" stile doors (Std.)
- Door Stile - Fits 2" narrow stile doors - specify NS
- Fasteners - Machine and Self-Drilling Screws standard

Dimensions



Listings and Approvals

Detex Limited Warranty

10 Year Mechanical/3 year Electrical Limited Manufacturer's Warranty



UL Listed Panic Hardware



UBC 97, Standard 7-2 and UL10B/UL10C for positive pressure



UL Listed Fire Exit Hardware for 3 hours, maximum 4'x10' single doors and 8'x10' pairs of doors



Meets NFPA 80 & 101 for Life Safety



Meets ADA requirements



State of Florida Approval



ANSI/BHMA certified A156.3



California State Fire Marshal

For detailed windstorm and fire listings, visit www.detex.com/PROVEN

Where Trust is Built™
DETEX®
Life Safety, Security and Security Assurance

Detex Corporation
 302 Detex Drive
 New Braunfels, Texas 78130-3045 USA
 PH. (830) 629-2900
 (800) 729-3839
 FAX (800) 653-3839
<http://www.detex.com>
 USA Sales:
marketing@detex.com
 International Sales:
export@detex.com

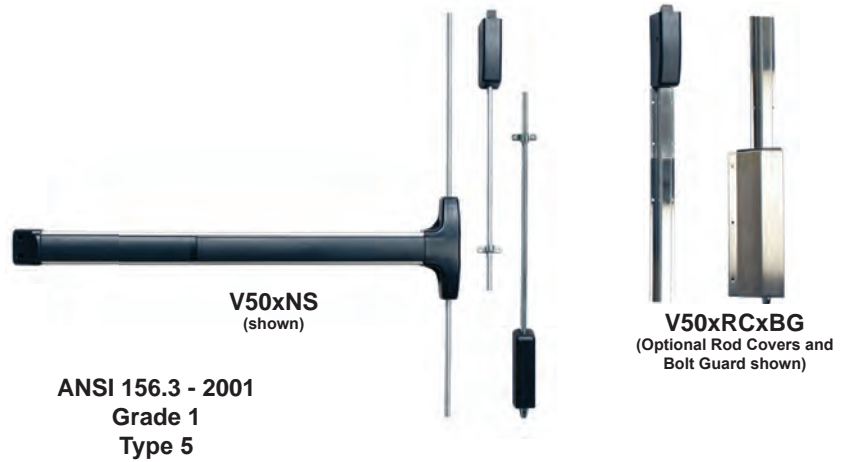
⚠ Cancer & Reproductive Harm - www.detex.com/prop65

VALUE SERIES®

V50xNS / V51xNS

Narrow Stile Surface Vertical Rod Device

The **V50xNS Series, narrow stile surface vertical rod exit device** and **V51xNS Series, narrow stile top rod exit device** are economical **panic and fire exit hardware** for use on narrow stile double doors without a mullion. The patented mounting plate and strike locator system ensures the easiest and most accurate installation in an economical panic device.



Benefits

- Priced to be the best value for durable, attractive panic hardware
- Fast and easy installation saves time and money
- Minimal door prep saves time and money
- Fits any door in almost any décor
- Patented mounting plate and strike locator replaces paper templates
- Outside trims are easily changed or rekeyed without removing device from door
- Angled end cap deflects damage away from device

Features

- Stainless steel 3/4" deadlocking top latch bolt
- Ribbed aluminum rail extrusion
- Impact resistant ABS and anodized surfaces
- Handed, field reversible
- Field sizable
- 1/8 turn dogging
- Standard and narrow stile pull trims available
- Modular design accepts a variety of outside trims and functions
- Bottom drop bolt, 5/8" dia. x 5-5/8" long secures into strike plate

Mechanical Options

- V51 - Top Rod Only
- F - 3-Hour Fire Rated
- HD - Hex Dogging (Std.)
- CD - Cylinder Dogging
- LD - Less Dogging
- 36 - Fits 36" Door Width (Std.)
- 48 - Fits 48" Door Width
- 84 - Fits 7' Door Height (Std.)
- 96 - Fits 8' Door Height
- 120 - Fits 10' Door Height
- RC - Rod Covers (630 Brushed Stainless)
- BG - Bottom bolt and 12" ADA ramped cover (630 Brushed Stainless)
- 96 Surface top stike top (Std.)
- 96B Bottom dust proof strike
- Available with 628 base rail extrusion
- Available with 711 base rail extrusion
- FC3 - Flexible 3' Conduit Kit, mounts to device end cap
- FC10 - Flexible 10' Conduit Kit, mounts to device end cap
- PT5 - Concealed mortise mount power transfer
- EH8 - Five-knuckle energy transfer hinge - 8 wires

For full list of available mechanical options, see V50 Series How To Order page

Electrical Options

- Exit Alarm (EA)
 - Electric Battery Alarm (EB)
 - Electric Dogging (ED)
 - Delayed Egress (EE)
 - Electric Latch Retraction with Request to Exit Switch (ER EX)
- Refer to Electrified Options section for more information

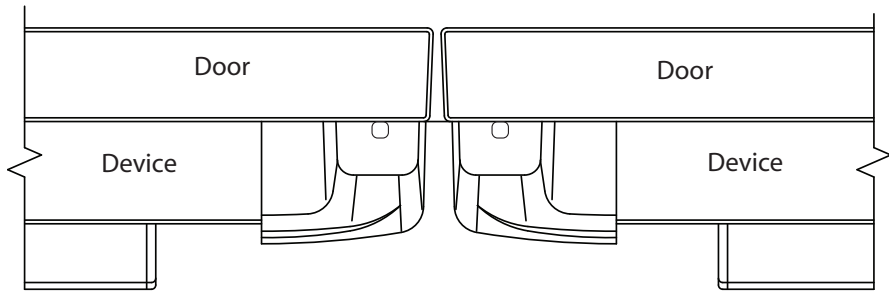
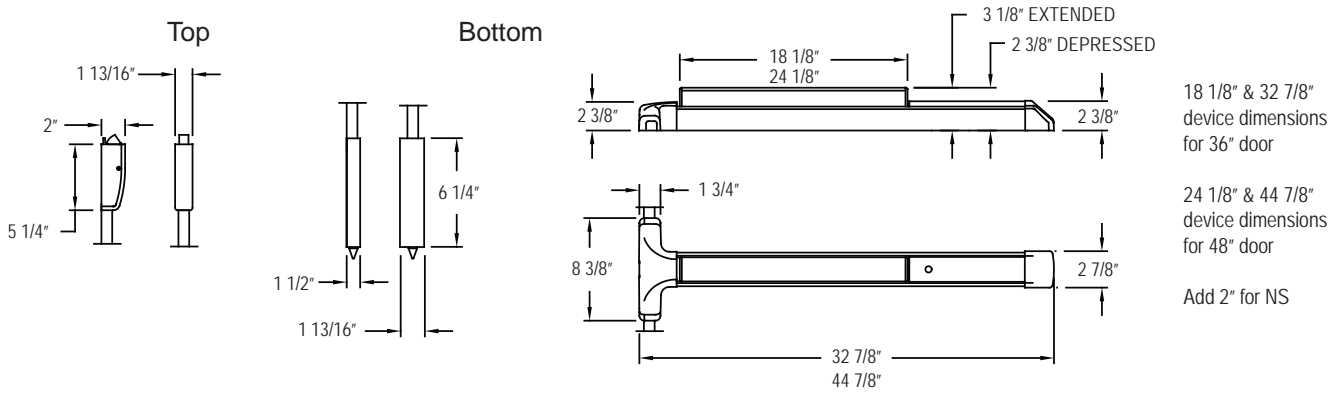
Accessories

- Outside Trim (see Value Series Trim Options)
- SN1 - Sex Nut Kit (2 per package)
- GB# - Glass Bead Kits

Technical Information

- Door Stile - Fits 3-1/2" stile doors (Std.)
- Door Stile - Fits 2" narrow stile doors - specify NS
- Fasteners - Machine and Self-Drilling Screws standard

Dimensions



Detex Limited Warranty
10 Year Mechanical/3 year Electrical
Limited Manufacturer's Warranty

Listings and Approvals



UL Listed Panic Hardware



UBC 97, Standard 7-2 and UL10B/UL10C for positive pressure



UL Listed Fire Exit Hardware for 3 hours, maximum 4'x10' single doors and 8'x10' pairs of doors



Meets NFPA 80 & 101 for Life Safety



Meets ADA requirements



State of Florida Approval

Texas Department of Insurance



ANSI/BHMA certified A156.3



California State Fire Marshal



For detailed windstorm and fire listings, visit www.detex.com/PROVEN

Detex Corporation
 302 Detex Drive
 New Braunfels, Texas 78130-3045 USA
 PH. (830) 629-2900
 (800) 729-3839
 FAX (800) 653-3839
<http://www.detex.com>
 USA Sales:
marketing@detex.com
 International Sales:
export@detex.com

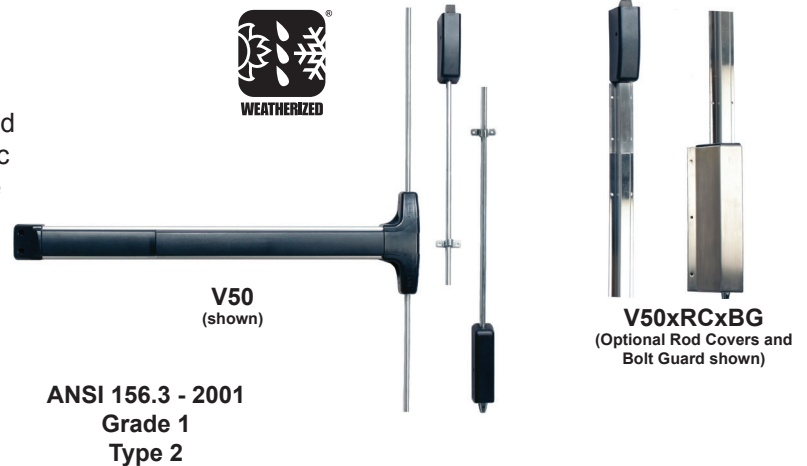
Cancer & Reproductive Harm - www.detex.com/prop65

VALUE SERIES®

V50xW/V51xW SERIES

Weatherized Surface Vertical Rod Device

The **Weatherized V50 Series, surface vertical rod exit device** and **V51 Series, top rod exit device** are heavy-duty **panic and fire exit hardware** for use on all types of double doors without a mullion. The patented mounting plate and strike locator system ensures the easiest and most accurate installation in an economical panic device. In addition to listing as UL panic and fire exit hardware device, this device conforms to UL1034-34 Temperature Section 34, UL1034-54 Dust Section 54, MIL-STD 810F, Method 506.4 (driving rain test); MIL-STD 810F, Method 509.4 (salt fog test) and UBC standard 7-2 (positive pressure).



Benefits

- Priced to be the best value for durable, attractive panic hardware
- Patented mounting plate and strike locator replaces paper templates
- Minimal door prep saves time and money
- Angled end cap deflects damage away from device
- Fits any door in almost any décor
- Outside trims are easily changed or rekeyed without removing device from door
- Fast and easy installation saves time and money

Features

- Stainless steel 3/4" deadlocking top latch bolt
- Bottom drop bolt, 5/8" dia. x 5-5/8" long secures into strike plate
- Handed, field reversible
- Field sizable
- 1/8 turn dogging
- Ribbed aluminum rail extrusion
- Impact resistant ABS and anodized surfaces
- Modular design accepts a variety of outside trims and functions
- Standard and narrow stile pull trims available

Mechanical Options

- H - Hurricane Rated
- F - 3-Hour Fire Rated
- HD - Hex Dogging (Std.)
- CD - Cylinder Dogging
- LD - Less Dogging
- 36 - Fits 36" Door Width (Std.)
- 48 - Fits 48" Door Width
- For Narrow Stile that fits 2" Narrow Stile glass door see V50xNS/ V51xNS catalog page
- 84 - Fits 7' Door Height (Std.)
- 96 - Fits 8' Door Height
- 120 - Fits 10' Door Height
- RC - Rod Covers (630 Brushed Stainless)
- BG - Bottom bolt and 12" ADA ramped cover (630 Brushed Stainless)
- 96 Surface top stike top (Std.)
- 96B Bottom dust proof strike
- Available with 628 aluminum base rail extrusion
- Available with 711 black base rail extrusion
- FC3W - Weatherized 3' Flex Conduit Kit, mounts to device end cap
- FC10W - Weatherized 10' Flex Conduit Kit, mounts to device end cap

For full list of available mechanical options, see V50 Series How To Order page

Electrical Options

- EB W - Exit Alarm 9V Battery Weatherized
- EX W - Request to Exit Weatherized

- EXV W - Request to Exit Weatherized High Current/Voltage

Refer to Electrified Options section for more information

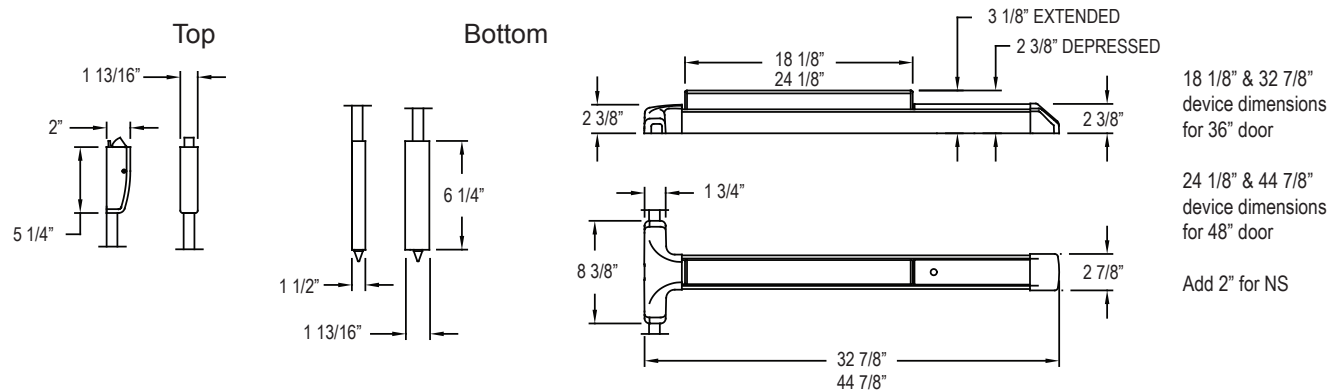
Accessories

- Outside Trim (see Value Series Trim Options)
- SN1 - Sex Nut Kit (2 per package)
- GB# - Glass Bead Kits
- NSK - Narrow Kit for 2" narrow stile glass door applications

Technical Information

- Door Stile - Fits 3-1/2" stile doors (Std.)
- Door Stile - Fits 2" narrow stile doors - specify NS
- Fasteners - Machine and Self-Drilling Screws standard

Dimensions



Listings and Approvals



UL Listed Panic Hardware



UL Listed Fire Exit Hardware for 3 hours, maximum 4'x10' single doors and 8'x10' pairs of doors

UL1034-34 Temperature Section 34 [Temperature Range -31° F (-35° C) to 150° F (+66° C)]

UL1034-54 Dust Section 54



ANSI/BHMA certified A156.3



Meets NFPA 80 & 101 for Life Safety



Meets ADA requirements



UBC 97, Standard 7-2 and UL10B/UL10C for positive pressure



California State Fire Marshal



State of Florida Approval

Texas Department of Insurance

MIL-STD 810F (G), Method 509.4 (Salt Fog Test)

MIL-STD 810F (G), Method 506.4 (Driving Rain), Procedure 1

Detex Limited Warranty

10 Year Mechanical/3 year Electrical Limited Manufacturer's Warranty

Where Trust is Built™
DETEx®
Life Safety, Security and Security Assurance

Detex Corporation
302 Detex Drive
New Braunfels, Texas 78130-3045 USA

PH. (830) 629-2900

(800) 729-3839

FAX (800) 653-3839

http://www.detex.com

USA Sales:

marketing@detex.com

International Sales:

export@detex.com

For detailed windstorm and fire listings, visit www.detex.com/PROVEN

⚠ Cancer & Reproductive Harm - www.detex.com/prop65



BHMA Functions

01 - Exit only, no trim

02 - Entrance by trim when actuating bar is locked down

03 - Entrance by trim when latch bolt is released by key. Key removable only when locked.

08 - Entrance by knob or lever. Key locks or unlocks knob or lever.

09 - Entrance by knob or lever only when released by key. Key removable only when locked.

14 - Entrance by trim when latch bolt is released by knob, lever. Always active, no cylinder.

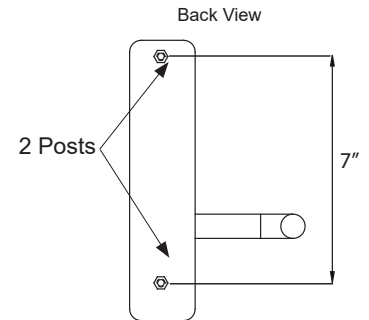
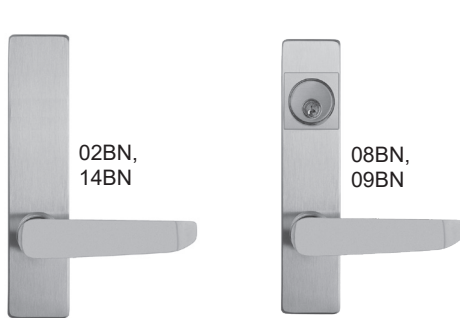
EU2W - Electric Unlock Trim (used on doors with 4" minimum stile width, with V40/V50/V51)

VALUE SERIES®

LEVER TRIM DESIGNS

Assorted outside trims provide security for all types of installations. Built to be as durable as the panic devices, these heavy-duty trims will stand up to heavy use and abuse. The versatile design of the trims, combined with the device mounting plate, makes changing functions as simple as replacing the outside trim. This can easily be done without removing the exit device from the door. These trims can be used on V40 Series Rim and V50 Series Surface Vertical Rods. Detex uses the BHMA functions/descriptions for all trims.

BN and MN Trim

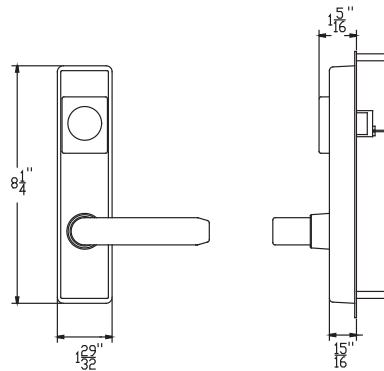


S Lever Standard

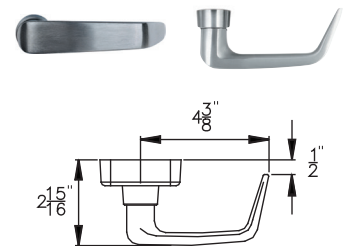
BN Trim available in 689 or 693 finishes

Mortise cylinder required for 08BN and 09BN

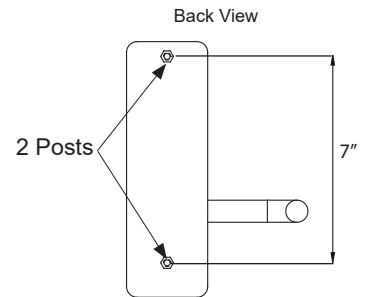
161 Prep Cover Plate Standard



S Lever



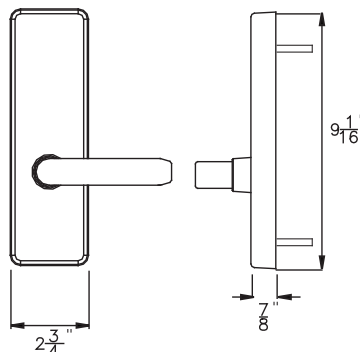
D2W Vandal Resistant Trim (Wide Escutcheon)



S Lever Standard

D2W Trim Available in 626 or 693 finishes

Mortise cylinder required for 08D2W and 09D2W



EU2W Electric Lock/Unlock Trim (Wide Escutcheon)

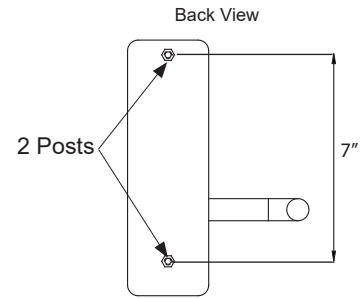
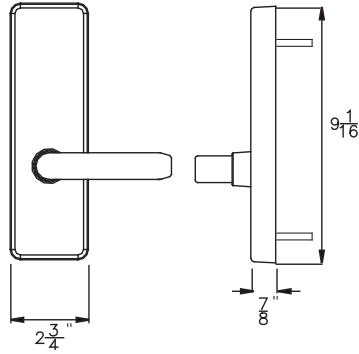


EU2W

S Lever Standard

Available in 626 or 693 finishes

Mortise cylinder required



BHMA Function/Description

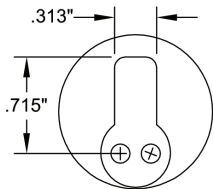
- 02 - Entrance by trim when actuating bar is locked down (dummy trim)
- 08 - Entrance by knob or lever. Key locks or unlocks knob or lever.
- 09 - Entrance by knob or lever only when released by key. Key removable only when locked.
- 14 - Entrance by trim when latch bolt is released by knob or lever. Always active, no cylinder.

Finishes

605 / US3	Polished Brass	629 / US32	Polished Stainless Steel	689 / SP28	Aluminum Painted
606 / US4	Brushed Brass			693 / SPBLK	Black Painted
611 / US9	Polished Bronze	630 / US32D	Brushed Stainless Steel	695 / SP313	Dark Bronze Painted
612 / US10	Brushed Bronze			711 / DC35	Black Anodized
613 / US10B	Oil Rubbed Bronze				

Technical Information

- BN Trims are Zinc Castings
- EU2W and D2W are forged Brass
- When ordered with device, trims will match mounting plate specified
- Value Series trims configured for use with BP2 and BP8 (standard)



Mortise Cylinder with standard Yale cam required

Cancer & Reproductive Harm - www.detex.com/prop65

Where Trust is Built™
DETEX®
 Life Safety, Security and Security Assurance

Detex Corporation
 302 Detex Drive
 New Braunfels, Texas 78130-3045 USA
 PH. (830) 629-2900
 (800) 729-3839
 FAX (800) 653-3839
<http://www.detex.com>
 USA Sales:
marketing@detex.com
 International Sales:
export@detex.com

VALUE SERIES®

OUTSIDE PULL & PLATE TRIM DESIGNS

Assorted outside trims provide security for all types of installations. Built to be as durable as the panic devices, these heavy-duty trims will stand up to heavy use and abuse. The versatile design of the trims, combined with the device mounting plate, makes changing functions as simple as replacing the outside trim. This can easily be done without removing the exit device from the door. These trims can be used on V40 Series Rim and V50 Series Surface Vertical Rods. Detex uses the BHMA functions/descriptions for all trims.

03 function trims include cylinder bracket kit with spring loaded tailpiece that self-adjusts to door thickness.

A and AN TRIM

NOTE: 02A/02AN available in 689 693, or 695 finishes

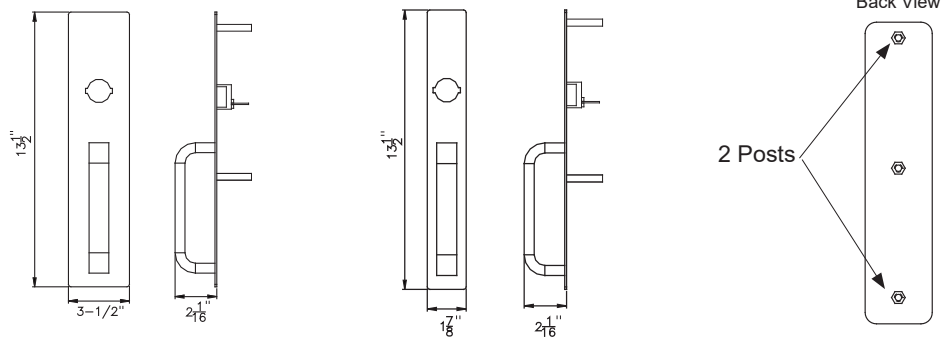
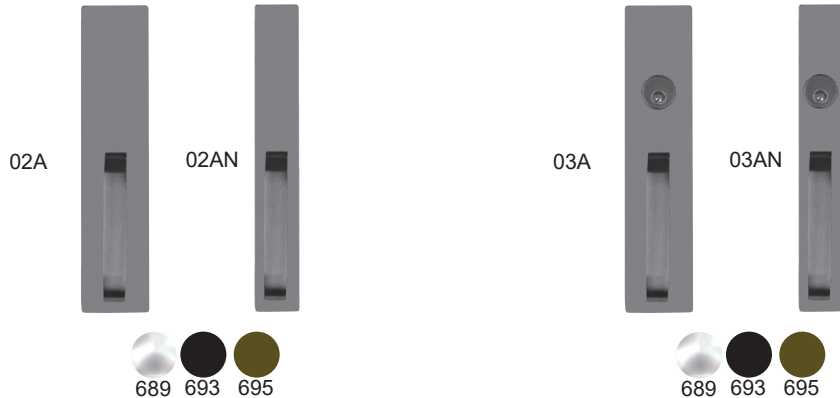
03A/03AN available in 689, 693 or 695 finishes

A Trim Covers 161 Prep

AN Trim Does Not Cover 161 Prep

Rim cylinder required for 03A and 03AN

*Cylinder sold separately

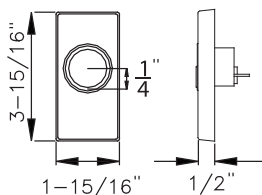
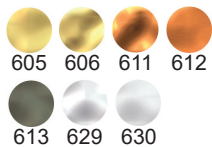


WS Trim

Available in 605, 606, 611, 612, 613, 629 and 630 finishes



03WS

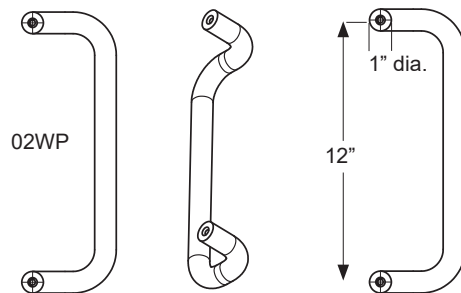


WP Trim

Available in 628 finish

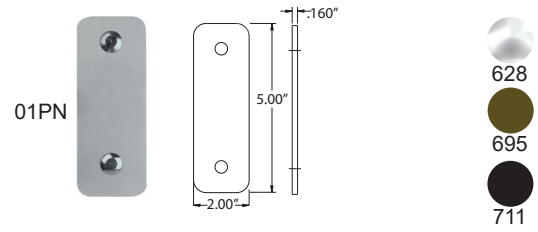
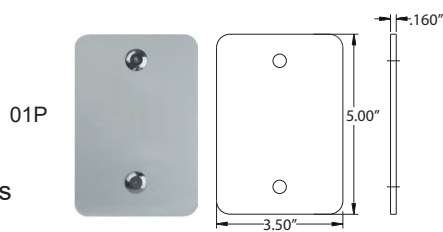


628



P and PN Trim

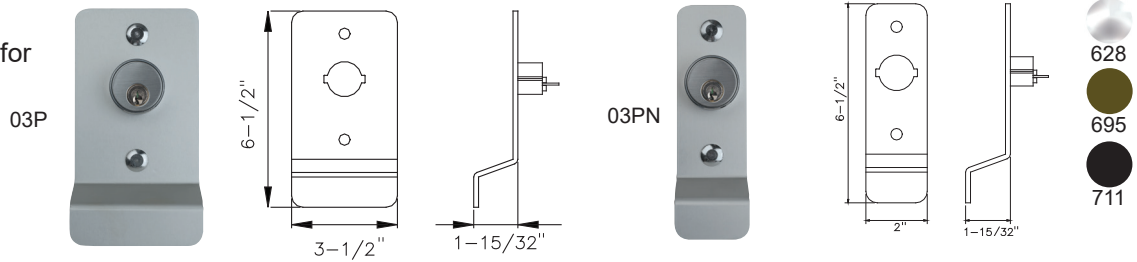
01P/01PN available in
628 & 711 finishes



03P/03PN available in
628, 695 & 711 finishes

P Trim covers
161 Prep

Rim cylinder required for
03P/03PN trims



BHMA Function/Description

- 01 - Exit only, no trim or blank escutcheon
- 02 - Entrance by trim when actuating bar is locked down (dummy trim)
- 03 - Entrance by trim when latch bolt is released by key. Key removable only when locked.

Finishes

605 / US3	Polished Brass	628 / US28	Satin Aluminum	689 / SP28	Aluminum Painted
606 / US4	Brushed Brass	629 / US32	Polished Stainless Steel	693 / SPBLK	Black Painted
611 / US9	Polished Bronze			695 / SP313	Dark Bronze Painted
612 / US10	Brushed Bronze	630 / US32D	Brushed Stainless Steel	711 / DC35	Black Anodized
613 / US10B	Oil Rubbed Bronze				

Technical Information

- A/AN Trims are Steel Stampings
- P/PN Trims are Aluminum Stampings
- WS Trims are forged Brass
- Value Series trims configured for use with BP2 and BP8 (standard)
- When ordered with device, trims will match mounting plate specified

Where Trust is Built™
DETEX®
Life Safety, Security and Security Assurance

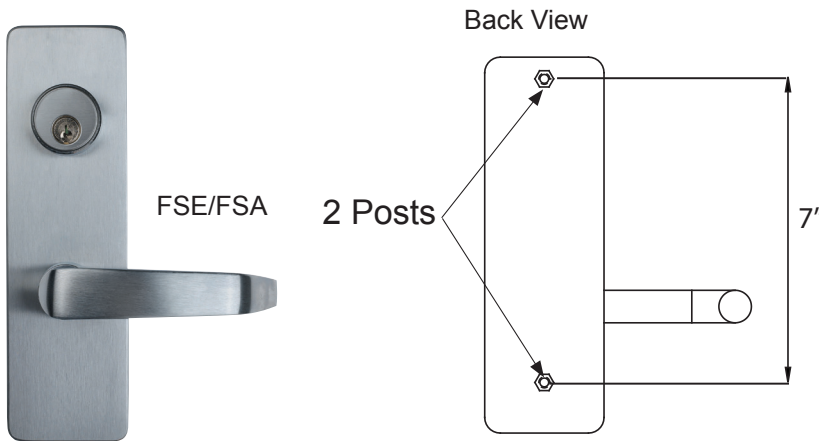
Detex Corporation
 302 Detex Drive
 New Braunfels, Texas 78130-3045 USA
 PH. (830) 629-2900
 (800) 729-3839
 FAX (800) 653-3839
<http://www.detex.com>
 USA Sales:
marketing@detex.com
 International Sales:
export@detex.com

Cancer & Reproductive Harm - www.detex.com/prop65

EU2W

ELECTRIC UNLOCK TRIM

Provides remote means of locking or unlocking a door for authorized entry, access control, security or safety needs when used in conjunction with any Detex 40/V40 Series rim or 50/51/V50/V51 Series surface vertical rod exit device on doors with a minimum stile width of 4". Perfect for use on fire-rated doors, such as stairwell doors, allowing emergency entry after fire alarm activates fail safe trim. Excellent source of security for access control systems used in installations in schools, universities, hospitals, retail, industrial, etc.



For use ONLY on wide stile glass doors, wood doors, and hollow metal doors (not for use with narrow stile doors)

For use with 40/V40 Series Rim, and 50/51/V50/V51 Series Surface Vertical Rod Exit Devices

Benefits

- Clutching trim limits vandalism
- Key override for emergency entrance during loss of power (FSE)

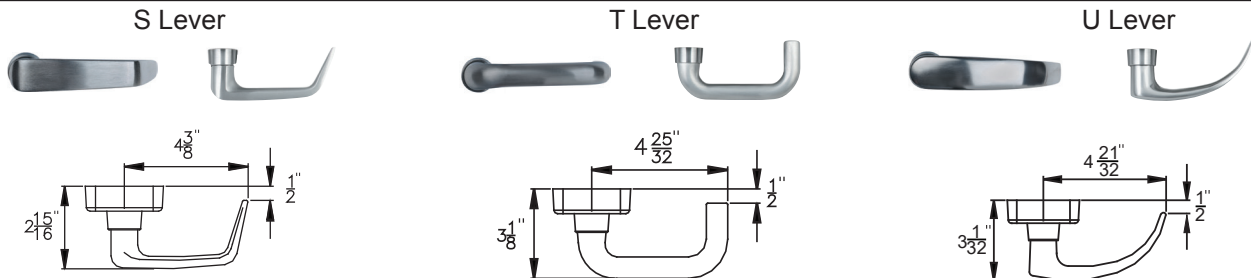
Features

- Cylinder override
- Spring loaded tailpiece
- Vandal resistant break-away type lever

Mechanical Options

- EU2W - Comes standard as D Trim, with S style Lever and Fail Secure (FSE), for use with Detex 40/V40 Series Rim or 50/51/V50/V51 Series Surface Vertical Rod Device
- EU2W x DT or DU - Comes with T style or U style lever, for use with Detex 40/V40 Series Rim or 50/51/V50/V51 Series Surface Vertical Rod Device
- KN - Knurling available on all levers
- Not Field Reversible

Lever Options



Electrical Options

- Fail Secure (FSE) - During power failure, device will be locked (Security option) ex: EU x FSE
- Fail Safe (FSA) - During power failure or fire alarm activation, the trim will always be unlocked. (Life Safety option) ex: EU x FSA
- Not Field Selectable
- Not Field Selectable

Accessories

- MC65 - Mortise Cylinder
- IC7 - 7-pin Mortise Cylinder Housing (Core not included)
- 80-800 - 24 VDC power supply with battery charging circuit
- 90-800 - 24 VDC power supply without battery charging circuit
- CCL - Long cylinder collar (11/16")
- SE-2 - Shaft extension for 2 to 2 1/2" thick doors

Finishes

605 / US3	Polished Brass	612 / US10	Brushed Bronze	629 / US32	Polished Stainless Steel
606 / US4	Brushed Brass	613 / US10B	Oil Rubbed Bronze	630 / US32D	Brushed Stainless Steel
611 / US9	Polished Bronze				

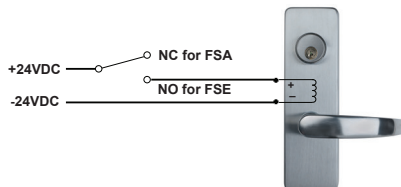
LS Lever Switch

- Monitors the lever and sends a signal to access control when lever is rotated
- Not retrofittable or field reversible - must specify handing

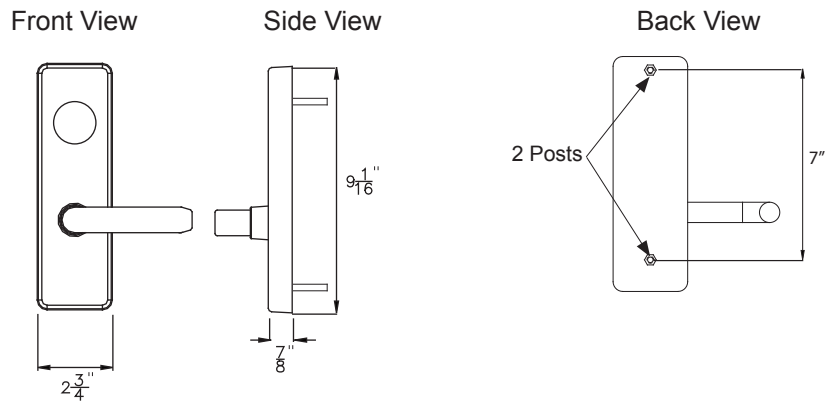
Technical Information

- 24VDC / 150ma continuous duty
- 12VDC / 310ma continuous duty

Wiring Diagram



Dimensions



* See Detex website for EU How To Order

Listings and Approvals

UL1034-34 Temperature Section 34
[Temperature Range -31°F (-35° C) to 150° F (+66° C)]

UL1034-54 Dust Section 54

MIL-STD 810F (G), Method 509.4
(Salt Fog Test)

MIL-STD 810F (G), Method 506.4
(Driving Rain), Procedure 1

Detex Limited Warranty

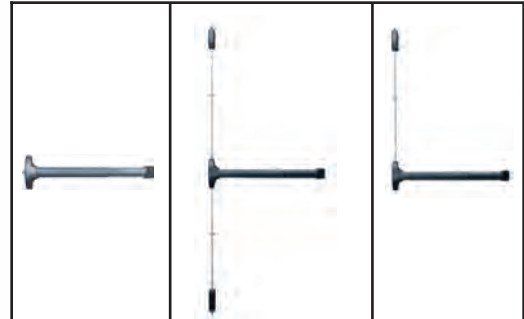
10 Year Mechanical/3 Year Electrical
Limited Manufacturer's Warranty

 Cancer & Reproductive Harm - www.detex.com/prop65

Where Trust is Built™
DETEX®
Life Safety and Security Door Hardware

Detex Corporation
302 Detex Drive
New Braunfels, Texas 78130-3045 USA
PH. (830) 629-2900
(800) 729-3839
FAX (800) 653-3839
<http://www.detex.com>
USA Sales:
marketing@detex.com
International Sales:
export@detex.com

Outside Trim Functions



ANSI Function	ANSI Type 1	ANSI Type 2	ANSI Type 2
Exit Only	V40 FV40 HV40 FHV40	V50 FV50	V51 FV51
02	V4002 FV4002 HV4002 FHV4002	V5002 FV5002	V5102 FV5102
Dummy Trim, No Cylinder	02A 02AN	02A 02AN	02A 02AN
03	V4003 FV4003 HV4003 FHV4003	V5003 FV5003	V5103 FV5103
Entrance by trim when latch bolt is retracted by key. Key removable only when locked.	03A* 03AN* 03P* 03PN* 03WS*	03A* 03AN* 03P* 03PN* 03WS*	03A* 03AN* 03P* 03PN* 03WS*
08	V4008 FV4008 HV4008 FHV4008	V5008 FV5008	V5108 FV5108
Entrance by lever. Key locks or unlocks lever.	08BN**	08BN**	08BN**
09	V4009 FV4009 HV4009 FHV4009	V5009 FV5009	V5109 FV5109
Entrance by lever trim activated by key; locked when key removed.	09BN**	09BN**	09BN**
14	V4014 FV4014 HV4014 FHV4014	V5014 FV5014	V5114 FV5114
Entrance by Lever. Lever operable at all times.	14BN	14BN	14BN

Prefix F denotes UL Listed Fire Exit Hardware
 Prefix H denotes Hurricane Listed Rim Device

* Rim cylinder required
 ** Mortise cylinder required



Electrified Options Definitions

V40 EA	Hardwired Exit Alarm
V40 EB	Exit Alarm with 9V Battery
V40 EB W	Weatherized Exit Alarm with 9V Battery
V40 ED	Electric Dogging
V40 EE	Electric Delayed Egress
V40 EI	Electric Integration - <i>Includes ES Switches, piezo, key switch and 2 LEDs</i>
V40 EM	Electric Delayed Egress with Magnetic Lock
V40 ER EX	Electric Latch Retraction with Request To Exit Switch
V40 ER EX W	Weatherized Electric Latch Retraction with Request To Exit Switch
V40 ES	Electric Switching
V40 EX	Request to Exit Signalling
V40 EX W	Weatherized Request to Exit Signalling
V50 EA	Hardwired Exit Alarm
V50 EB	Exit Alarm with 9V Battery
V50 EB W	Weatherized Exit Alarm with 9V Battery
V50 EE	Electric Delayed Egress
V50 ER EX	Electric Latch Retraction with Request To Exit Switch
V50 ER EX W	Weatherized Electric Latch Retraction with Request To Exit Switch
ERK	Electric Latch Retraction Conversion Kit

All Electrified Options are available on Fire Exit Hardware and Hurricane Rated Devices

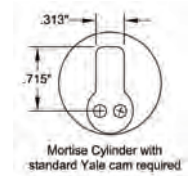
VALUE SERIES®

Rim Exit Device with Alarm (V40 EA) (Formerly EH/EH R)

The V40 EA device option is designed for doors that require a hardwired, alarmed panic device with remote signal and bypass. When the alarm sounds a remote signal can be sent to turn on a remote horn, strobe or other security device. The alarm can also be bypassed using a remote button, keypad, card reader or other access control device. The alarm, with approximately 100dB will sound when someone attempts to exit, alerting management that an unauthorized exit has occurred. With electric switching that monitors the pushpad, the V40 EA provides a high level of security while also meeting all life safety concerns.



Wide Stile shown, for Narrow Stile, specify NS Option (for use on 36" and 48" doors with 2" stiles).



Benefits

- Priced to be the best value for durable and attractive loss prevention panic hardware
- Reduces employee and customer theft
- Fits almost any door in any décor
- Fast and easy installation saves time and money
- Angled end cap deflects damage away from device
- Patented mounting plate and strike locator replaces paper templates
- Durable design provides years of trouble free protection, saving on replacement costs
- Controls foot traffic, deters unauthorized exits, prevents loss and meets building code requirements

Features

- V40xEA - Alarmed Exit Device powered by 12V or 24 AC/DC power, with 9-volt battery backup
- Remote Signal - Form C signaling when alarm sounds
- Remote Bypass input allows authorized use without an alarm
- Stainless steel, 3/4" deadlocking Pullman type latch bolt
- Non-handed, field sizeable
- 100 decibel alarm
- Single mortise cylinder (sold separate) provides arming and dogging
- Armed and disarmed field selectable status indicator
- Heavy duty ribbed aluminum rail extrusion
- Visual and audible arming indicators
- FC3 - Flexible 3' Conduit Kit, mounts to device end cap
- 1/8 turn cylinder dogging
- Delayed arming allows arming after door closes
- State of art electronics offer reliable security and instantaneous alarm
- Field selectable key rearm or 2 min. auto rearm
- Accommodates all types of mortise cylinders with a standard Yale cam (collar required for 7-pin IC cylinders)

Mechanical Options

- CD - Cylinder Dogging (Std.)
- LD - Less Dogging (mortise cylinder required for arming)
- IC7 - 7 pin small format interchangeable cylinder housing pre-installed at factory
- MC65 - Mortise cylinder pre-installed at factory
- KS - Key Stop - key removed only when armed
- 36 - Fits 36" Door Width (Std.)
- 48 - Fits 48" Door Width
- F - 3-Hour Fire Rated
- H - Hurricane Rated
- 99 - Surface Strike (Std.)
- 98 - Semi Mortise Strike
- Available with 628 Base Rail Extrusion (Std.)
- Available with 711 Base Rail Extrusion
- LF - Less Flex Conduit
- FC10 - Flexible 10' Conduit Kit, mounts to device end cap
- PT5 - Concealed mortise mount power transfer
- EH8 - Five-knuckle energy transfer hinge - 8 wires

For full list of available mechanical options, see V40 Series How To Order page

Electrical Options

- LBM - Latch Bolt Monitoring
- SI - Status Indicator LED's indicate armed status
- 1, 5 second arming delay (15 second - standard)
- 10 or 20 minute auto rearm (2 minute - standard)

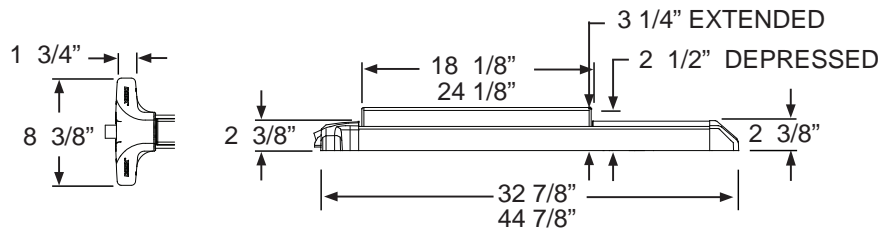
Accessories

- SN1 - Sex Nut Fasteners
- NSK - Narrow Stile Conversion Kit - Converts V40 to fit narrow stile glass door applications
- Outside Trim (see Value Series Trim Options)

Technical Information

- Door Types - Wood, Hollow Metal, Fiberglass or Aluminum
- Door Thickness - Fits standard 1-3/4" - 2-1/4" (for other thicknesses contact factory)
- Machine and Self Drilling Screws (std.)
- Single Door Stile - Fits 3-1/2" minimum stile doors with 99 surface strike (std.) with mullion
- Pairs of Doors Stile - Fits 4" minimum stile doors with 99 surface strike
- Door Stile - Fits 2" narrow stile doors - specify NS
- 94 Double door strike for double door without mullion
- Optional Sex Nuts or Security Torx Screws available

Dimensions

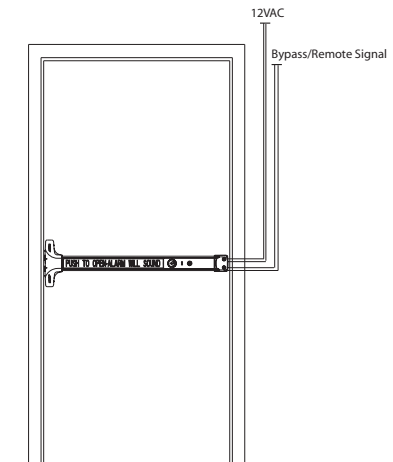


18 1/8" & 32 7/8" device dimensions for 36" door

24 1/8" & 44 7/8" device dimensions for 48" door

Add 2" for NS

Riser Diagram



Listings and Approvals



UL Listed Panic Hardware



ULC 97, Standard 7-2 and UL10B/UL10C for positive pressure



UL Listed Fire Exit Hardware for 3 hours, maximum 4'x10' single doors and pairs of 4'x8' with F90KR keyed removable mullion



Meets NFPA 80 & 101 for Life Safety



Meets ADA requirements



State of Florida Approval



ANSI/BHMA certified A156.3

Texas Department of Insurance



California State Fire Marshall

Detex Limited Warranty

10 Year Mechanical/3 Year Electrical Limited Manufacturer's Warranty

Where Trust is Built™

DETEX[®]
Life Safety, Security and Security Assurance

For detailed windstorm and fire listings, visit www.detex.com/PROVEN

Detex Corporation
302 Detex Drive
New Braunfels, Texas 78130-3045 USA
PH. (830) 629-2900
(800) 729-3839
FAX (800) 653-3839
<http://www.detex.com>
USA Sales:
marketing@detex.com
International Sales:
export@detex.com

Cancer & Reproductive Harm - www.detex.com/prop65

VALUE SERIES®

Alarmed Rim Exit Device (V40 EB)

The **V40 EB** is designed for **primary and secondary exits** that require an **alarmed panic device**. The **100dB alarm** will sound when someone attempts to exit, alerting management to the unauthorized exit. Available in various configurations, the V40xEB provides security while meeting all life safety concerns, offering an exceptional value.



V40 EB
(Shown with factory installed mortise cylinder - sold separate)



V40 EB 711 BLK
(Shown with factory installed mortise cylinder - sold separate)



V40 EB 711
(Shown with factory installed mortise cylinder - sold separate)

Wide Stile shown, for Narrow Stile, specify NS Option
(for use on 36" and 48" doors with 2" stiles).

Benefits

- Priced to be the best value for durable and attractive loss prevention panic hardware
- Reduces employee and customer theft
- Fast and easy installation saves time and money
- Durable design provides years of trouble-free protection, saving on replacement costs
- Patented mounting plate and strike locator replaces paper templates
- Fits almost any door in any décor
- Controls foot traffic, deters unauthorized exits, prevents loss and meets building code requirements
- Angled end cap deflects damage away from device

Features

- Powered by standard 9-volt battery
- Stainless steel, 3/4" deadlocking Pullman-type latch bolt
- 100 decibel alarm
- 1/8 turn cylinder dogging
- Armed and disarmed field selectable status indicator
- Heavy-duty ribbed aluminum rail extrusion
- Accommodates all types of mortise cylinders with a standard Yale cam (collar required for 7-pin IC cylinders)
- Visual and audible arming indicators
- Single mortise cylinder (sold separate) provides arming and dogging
- State-of-art electronics offer reliable security and instantaneous alarm
- Field selectable key rearm or 2 min. auto rearm

Mechanical Options

- CD - Cylinder Dogging (Std.)
- LD - Less Dogging
- 36 - Fits 36" Door Width (Std.)
- 48 - Fits 48" Door Width
- F - 3-Hour Fire Rated
- H - Hurricane Rated
- 99 - Surface Strike (Std.)
- 98 - Semi Mortise Strike
- Available with 628 Base Rail Extrusion (Std.)
- Available with 711 Base Rail Extrusion
- FC3 - Flexible 3' Conduit Kit, mounts to device end cap
- FC10 - Flexible 10' Conduit Kit, mounts to device end cap
- PT5 - Concealed mortise mount power transfer
- EH8 - Five-knuckle energy transfer hinge - 8 wires

For full list of available mechanical options, see V40 Series How To Order page

Electrical Options

- R - Remote Signal (Form C signaling when alarm sounds) plus Remote Bypass Input
- LBM - Latch Bolt Monitoring
- Delayed Egress (EE)

Accessories

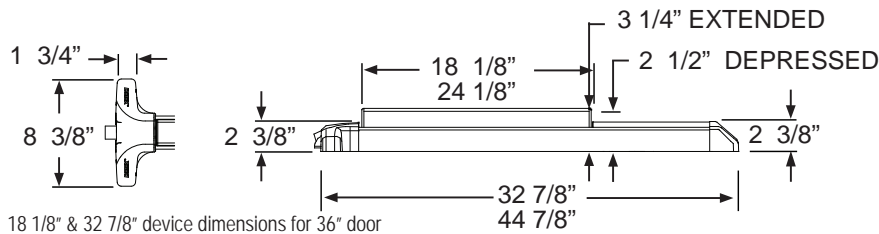
- SN1 - Sex Nut Fasteners
- KS - Key Stop - key removed only when armed
- NSK - Narrow Kit - for 2" narrow stile glass door applications
- Optional Cylinder Nut Wrench P/N: 103779
- Outside Trim (see Value Series Trim Options)



Technical Information

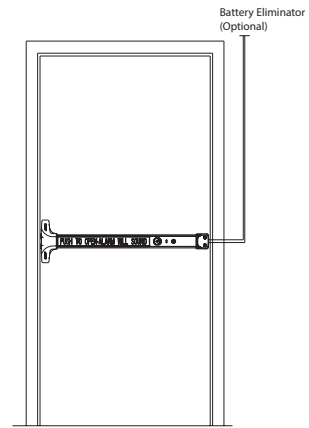
- Door Types - Wood, Hollow Metal, Fiberglass
- Aluminum doors need to be ordered as a Narrow Stile (NS)
- Door Thickness - Fits standard 1-3/4" - 2-1/4"
- Single Door Stile - Fits 3-1/2" minimum stile doors with 99 surface strike (Std.)
- Pairs of Doors Stile - Fits 4" minimum stile doors with 99 surface strike
- Door Stile - Fits 2" narrow stile doors - specify NS
- Machine and Self-Drilling Screws (Std.)
- Optional Sex Nuts or Security Torx Screws available

Dimensions



18 1/8" & 32 7/8" device dimensions for 36" door
 24 1/8" & 44 7/8" device dimensions for 48" door
 Add 2" for NS

Riser Diagram



Listings and Approvals



UL Listed Panic Hardware



UBC 97, Standard 7-2 and UL10B/UL10C for positive pressure



UL Listed Fire Exit Hardware for 3 hours, maximum 4'x10' single doors and pairs of 4'x8' with F90KR keyed removable mullion



Meets NFPA 80 & 101 for Life Safety



Meets ADA requirements



State of Florida Approval



ANSI/BHMA certified A156.3



California State Fire Marshall

Detex Limited Warranty

10 Year Mechanical/3 Year Electrical Limited Manufacturer's Warranty



For detailed windstorm and fire listings, visit www.detex.com/PROVEN

Detex Corporation
 302 Detex Drive
 New Braunfels, Texas 78130-3045 USA
 PH. (830) 629-2900
 (800) 729-3839
 FAX (800) 653-3839
<http://www.detex.com>
 USA Sales:
marketing@detex.com
 International Sales:
export@detex.com

Cancer & Reproductive Harm - www.detex.com/prop65

VALUE SERIES®

Weatherized Alarmed Rim Exit Device (V40 EB W)

The **V40 EB W** is designed for doors and gates requiring a stand alone, battery powered, alarmed, weatherized panic device. The **100dB alarm** will sound when someone attempts to exit, alerting management to the unauthorized exit. The internal alarm with both remote bypass and remote signaling capabilities is ideal for applications where both security and life safety are a concern. In addition to listing as UL panic and fire exit hardware device, this device conforms to UL1034-34 Temperature Section 34, UL1034-54 Dust Section 54, MIL-STD 810F, Method 506.4 (driving rain test); MIL-STD 810F, Method 509.4 (salt fog test) and UBC standard 7-2 (positive pressure).



V40 EB W
(Shown with mortise cylinder - sold separately)



V40 EB W 711 BLK
(Shown with mortise cylinder - sold separately)



V40 EB W 711
(Shown with mortise cylinder - sold separately)

Wide Stile shown, for Narrow Stile, specify NS Option
(for use on 36" and 48" doors with 2" stiles).

Benefits

- Weather resistant loss prevention hardware designed for use in outdoor or wet environments
- Patented mounting plate and strike locator replaces paper templates
- Rugged, durable, corrosion-resistant design reduces maintenance
- Fast and easy installation saves time and money
- Controls foot traffic to deter unauthorized exits and reduces employee and customer theft
- Aesthetically pleasing design for almost any door or gate in any décor
- Angled end cap deflects damage away from device
- Provides reliable loss prevention protection 24 hours a day

Features

- Powered by standard 9-volt battery
- Built-in inhibitors prevent ABS fading and weakening, typically caused by exposure to extreme temperatures and UV rays
- Visual and audible arming indicators
- Stainless steel, self-latching bolt
- Tamper-resistant housing protects electronics, battery and internal hardware, preventing manipulation
- Tamper-resistant, immersion-proof security switches
- 100dB alarm
- Tapered design sheds rainwater
- Covers a 161 door prep
- Indefinite alarm requiring manual rearm or variable 2 min. alarm duration with auto re-arm
- Visual and audible low battery alert
- Plated steel, anodized aluminum and ABS components endure heavy use and exposure to the elements
- Cylinder dogging standard (can also be ordered less dogging)
- Armed and disarmed field selectable status indicator

Mechanical Options

- CD - Cylinder Dogging (Std.)
- Available with 628 Base Rail Extrusion (Std.)
- LD - Less Dogging
- Available with 711 (Black) Base Rail Extrusion
- 36 - Fits 36" Door Width (Std.)
- FC3W - Weatherized 3' Flex Conduit Kit, mounts to device end cap
- 48 - Fits 48" Door Width
- FC10W - Weatherized 10' Flex Conduit Kit, mounts to device end cap
- F - 3-Hour Fire Rated
- H - Hurricane Rated
- 99 - Surface Strike (Std.)
- 98 - Semi Mortise Strike

For full list of available mechanical options, see V40 Series How To Order page

Electrical Options

- Remote Signal Form C signaling when alarm sounds and remote bypass input allows authorized use without an alarm - standard feature

Other Weatherized Detex Products Include:

- Request to Exit Signalling Weatherized (EXxW)

- GTPLKIT - Adjustable Gate Plate

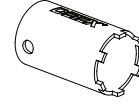
- Weatherized Delayed Egress EasyKit (WDEx10)

Accessories

- KS - Key Stop - key removed only when armed
- Outside Trim (see Value Series Trim Options)

- NSK - Narrow Stile Conversion Kit - Converts V40 to fit narrow stile glass door applications
- SN1 - Sex Nut Fasteners

- Optional Cylinder Nut Wrench P/N: 103779



Technical Information

- Door Types - Wood, Hollow Metal, Fiberglass
- 2" Aluminum doors need to be ordered as a narrow stile (NS)
- Door Thickness - Fits standard 1-3/4" - 2-1/4"
- Single Door Stile - Fits 3-1/2" minimum stile doors with 99 surface strike (Std.)

- Pairs of Doors Stile - Fits 4" minimum stile doors with 99 surface strike
- Door Stile - Fits 2" narrow stile doors - specify NS
- Exceeds MIL810F Method 509.4 Salt Fog Test (simulating effects of corrosive environments similar to atmospheric conditions found in coastal regions)

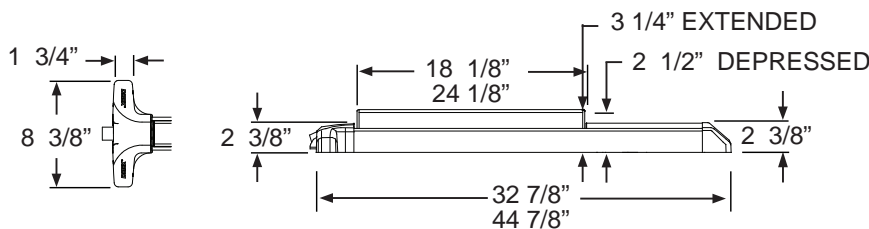
- Exceeds MIL810F Method 506.4 Driving Rain (simulating 4"/hr. rain w/40mph wind)

- Machine and Self Drilling Screws (Std.)

- Optional Sex Nuts or Security Torx Screws available

Riser Diagram

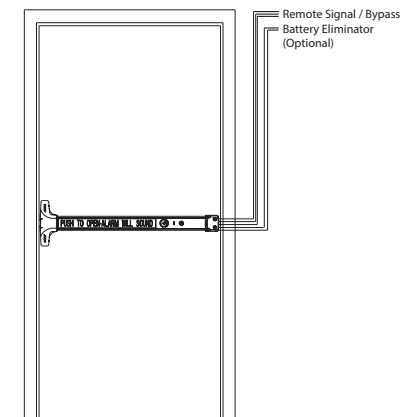
Dimensions



18 1/8" & 32 7/8" device dimensions for 36" door

24 1/8" & 44 7/8" device dimensions for 48" door

Add 2" for NS



Listings and Approvals



UL Listed Panic Hardware



UL Listed Fire Exit Hardware for 3 hours, maximum 4'x10' single doors and pairs of 4'x8' with F90KR keyed removable mullion

UL1034-34 Temperature Section 34 [Temperature Range -31°F (-35° C) to 150° F (+66° C)]



UL1034-54 Dust Section 54

Meets ADA requirements



ANSI/BHMA certified A156.3



ULC 97, Standard 7-2 and UL10B/UL10C for positive pressure



Meets NFPA 80 & 101 for Life Safety



State of Florida Approval

Texas Department of Insurance



California State Fire Marshall

MIL-STD 810F (G), Method 509.4 (Salt Fog Test)

MIL-STD 810F (G), Method 506.4 (Driving Rain), Procedure 1

Detex Limited Warranty

10 Year Mechanical/3 Year Electrical Limited Manufacturer's Warranty

Where Trust is Built™
DETEX®
Life Safety, Security and Security Assurance

Detex Corporation
 302 Detex Drive
 New Braunfels, Texas 78130-3045 USA

PH. (830) 629-2900

(800) 729-3839

FAX (800) 653-3839

<http://www.detex.com>

USA Sales:

marketing@detex.com

International Sales:

export@detex.com

For detailed windstorm and fire listings, visit www.detex.com/PROVEN



Cancer & Reproductive Harm - www.detex.com/prop65

VALUE SERIES®

Electric Dogging (V40 ED)

The **V40 ED** Electric Dogging is designed for entrance and exit doors with panic or fire exit hardware. When energized, and after a pushpad is depressed, the pushpad and the latch bolt remain retracted, providing push-pull operation. Relocking all devices is accomplished by using a single switch or through a fire alarm input.



V40 ED 628



V40 ED 711

Wide Stile shown, for Narrow Stile, specify NS Option
(for use on 36" and 48" doors with 2" stiles).

Benefits

- Priced to be the best value for durable and attractive panic hardware
- Pushpad remains depressed while latch is retracted, preventing unnecessary cycling, for quieter operation
- Fast and easy installation saves time and money
- Patented mounting plate and strike locator replaces paper templates
- One-touch operation turns any secured door or group of doors into push-pull openings and releases them as required
- Door remains locked until first activation of pushpad (exit) allows remote activation of dogging mode
- Allows remote deactivation of dogging for instantaneous lockdown mode
- Fits almost any door in any décor
- Economical alternative to latch retraction when only dogging is required
- Rugged, durable design reduces maintenance
- While dogged, pushpad remains out of the path of egress, removing the typical catch point found with other exit devices
- Angled end cap deflects damage away from device

Features

- Tamper resistant housing
- Operates on 24VAC or 24VDC
- Maintained latch and pushpad retraction
- Continuous duty magnet
- FC3 - Flexible 3' Conduit Kit, mounts to device end cap

Mechanical Options

- F - 3-Hour Fire Rated
- H - Hurricane Rated
- 36 - Fits 36" Door Width (Std.)
- 48 - Fits 48" Door Width
- 99 - Surface Strike (Std.)
- 98 - Semi Mortise Strike
- Available with 628 Base Rail Extrusion (Std.)
- Available with 711 Base Rail Extrusion
- LF - Less Flex Conduit
- FC10 - Flexible 10' Conduit Kit, mounts to device end cap
- PT5 - Concealed mortise mount power transfer
- EH8 - Five-knuckle energy transfer hinge - 8 wires

For full list of available mechanical options, see V40 Series How To Order page

Electrical Options

- EX - Request to Exit Switch (Specify ED EX)
- 90-800 - 24VDC filtered, regulated with fire loop connection
- 80-800 Power Supply - 24VDC filtered, regulated with fire loop connection with battery charging circuit
- PP-5152-2 24VAC transformer

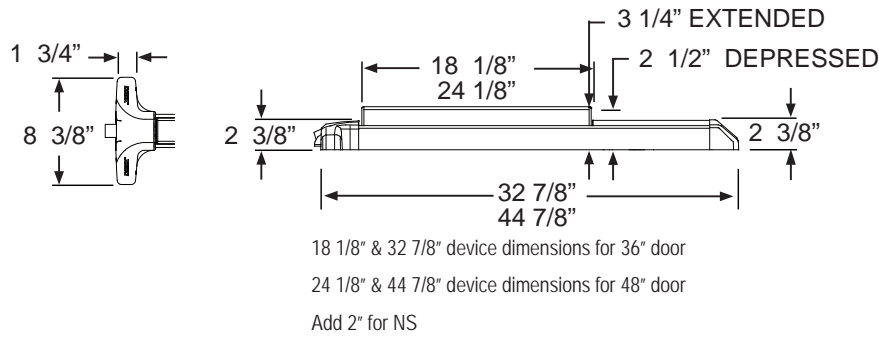
Accessories

- SN1 - Sex Nut Fasteners
- NSK - Narrow Stile Conversion Kit - Converts V40 to fit narrow stile glass door applications
- Outside Trim (see Value Series Trim Options)

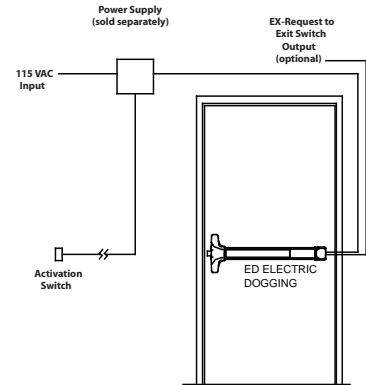
Technical Information

- Door Types - Wood, Hollow Metal, Fiberglass or Aluminum
- Door Thickness - Fits standard 1-3/4" - 2-1/4"
- Machine and Self Drilling Screws (Std.)
- Single Door Stile - Fits 3-1/2" minimum stile doors with 99 surface strike (Std.)
- Pairs of Doors Stile - Fits 4" minimum stile doors with 99 surface strike
- Door Stile - Fits 2" narrow stile doors - specify NS
- Optional Sex Nuts or Security Torx Screws available

Dimensions



Riser Diagram



Listings and Approvals



UL Listed Panic Hardware



UBC 97, Standard 7-2 and UL10B/UL10C for positive pressure



UL Listed Fire Exit Hardware for 3 hours, maximum 4'x10' single doors and pairs of 4'x8' with F90KR keyed removable mullion



Meets NFPA 80 & 101 for Life Safety



Meets ADA requirements



State of Florida Approval

Texas Department of Insurance



ANSI/BHMA certified A156.3



California State Fire Marshall

Detex Limited Warranty

10 Year Mechanical/3 Year Electrical Limited Manufacturer's Warranty

For detailed windstorm and fire listings, visit www.detex.com/PROVEN



Detex Corporation
302 Detex Drive
New Braunfels, Texas 78130-3045 USA
PH. (830) 629-2900
(800) 729-3839
FAX (800) 653-3839
<http://www.detex.com>
USA Sales:
marketing@detex.com
International Sales:
export@detex.com

Cancer & Reproductive Harm - www.detex.com/prop65

VALUE SERIES®

Delayed Egress Rim Exit Device (V40 EE)

The V40 EE, designed for primary and secondary exits, provides a secure 15-second delay and a 100dB alarm when someone attempts to exit. This 15-second delay allows management time to respond before someone exits and the alarm deters the exit from occurring. Per life safety requirements, the V40 EE must be provided with a fire alarm input, thus providing a system override during a fire emergency. The V40 EE provides security while meeting all life safety concerns, offering an exceptional value.



V40 EE
(Shown with mortise cylinder - sold separately)

**PUSH UNTIL ALARM SOUNDS
DOOR CAN BE OPENED IN 15 SECONDS**



V40 EE 711 BLK
(Shown with mortise cylinder - sold separately)

Wide Stile shown, for Narrow Stile, specify NS Option
(for use on 36" and 48" doors with 2" stiles).



Power Supply included
as standard feature



V40 EE 711
(Shown with mortise cylinder - sold separately)

Benefits

- Priced to be the best value for durable and attractive delayed egress panic hardware
- Patented mounting plate and strike locator replaces paper templates
- Fits almost any door in any décor
- Durable design provides years of trouble-free protection, saving on replacement costs
- Angled end cap deflects damage away from device
- Reduces employee and customer theft
- Controls foot traffic, deters unauthorized exits, prevents loss and meets building code requirements
- Fast and easy installation saves time and money

Features

- Powered by a 24VDC filtered and regulated power supply
- Power supply delivers a constant 24VDC of filtered and regulated voltage at a rated load of 1A
- Stainless steel, 3/4" deadlocking Pullman-type latch bolt
- Non-handed, field sizeable
- 100dB alarm
- 1/8 turn cylinder dogging
- Heavy-duty ribbed aluminum rail extrusion
- Delayed arming allows arming after door closes
- Accommodates all types of mortise cylinders with a standard Yale cam
- Single mortise cylinder provides arming and dogging - can be factory installed
- State-of-the-art electronics offer reliable security and instantaneous alarm
- Visual and audible arming indicators
- 9V battery provides alarm function only in case of power failure
- Armed and disarmed field selectable status indicator
- Remote signal output and remote bypass input standard
- Alarm triggered by latch bolt movement
- Fire alarm input can be connected at power supply
- Includes delayed egress panic bar, 24VDC filtered and regulated power supply, door sign and 3' conduit loop
- FC3 - Flexible 3' Conduit Kit, mounts to device end cap

Electrical Options

- 30 - 30 second delayed egress available (must have letter from AHJ)
- EE05 Options Package - Non-extended bypass, alarm sounds if door left open / silent arming / reset alarm with access control, or reset alarm with key only
- AL18 - Surface Armored Loop (Door/Frame mounted)
- 1 second arming (15 second arming Std.)
- Silent arming (3 chirps when arming Std.)
- SI - Status Indicators - Armed/Disarmed

Mechanical Options

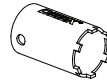
- MC65 - Factory Installed Mortise cylinder
- IC7 - Factory Installed IC Housing
- F - 3-Hour Fire Rated
- H - Hurricane Rated
- CD - Cylinder Dogging (Std.)
- LD - Less Dogging
- 36" Door Width (Std.)
- 48" Door Width
- 99 - Surface Strike (Std.)
- 98 - Semi Mortise Strike
- KS - Key Stop (Key removed only when armed)
- Available with 628 Base Rail Extrusion (Std.)
- Available with 711 Base Rail Extrusion
- LF - Less Flex Conduit

- FC10 - Flexible 10' Conduit Kit, mounts to device end cap
- PT5 - Concealed mortise mount power transfer
- EH8 - Five-knuckle energy transfer hinge - 8 wires

For full list of available mechanical options, see V40 Series How To Order page

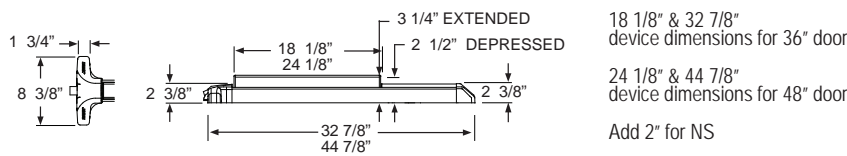
Accessories

- SN1 - Sex Nut Fasteners
- Optional Cylinder Nut Wrench P/N: 103779
- NSK - Narrow Stile Conversion Kit - Converts V40 to fit narrow stile glass door applications



- Outside Trim (see Value Series Trim Options)
- Foreign Language Signs available Contact Factory

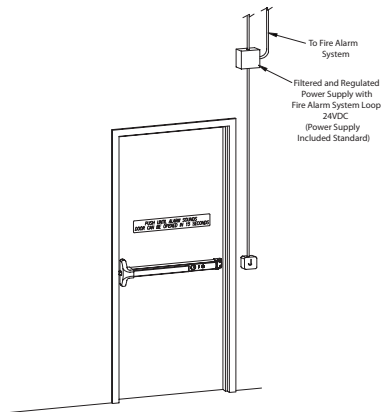
Dimensions



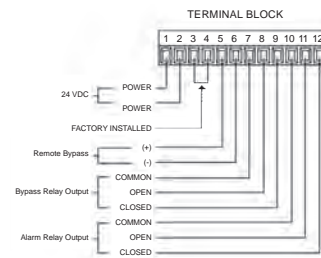
Technical Information

- Door Types - Wood, Hollow Metal, Fiberglass or Aluminum
- Door Thickness - Fits standard 1-3/4" - 2-1/4"

Riser Diagram



Terminal Block



- Single Door Stile - Fits 3-1/2" minimum stile doors with 99 surface strike (Std.)
- Pairs of Doors Stile - Fits 4" minimum stile doors with 99 surface strike
- Door Stile - Fits 2" narrow stile doors - specify NS
- Machine and Self-Drilling Screws (Std.)
- Optional Sex Nuts or Security Torx Screws available

Listings and Approvals



UL Listed Panic Hardware



UL Listed Fire Exit Hardware for 3 hours, maximum 4'x10' single doors and pairs of 4'x8' with F90KR keyed removable mullion
 UL Listed Controlled Exit Device (FULA)

UL Listed Special Locking Arrangements (FWAX)



Meets ADA requirements



ANSI/BHMA certified A156.3



ULC 97, Standard 7-2 and UL10B/UL10C for positive pressure



Meets NFPA 80 & 101 for Life Safety



State of Florida Approval

Texas Department of Insurance



California State Fire Marshall

Detex Limited Warranty

10 Year Mechanical/3 Year Electrical Limited Manufacturer's Warranty



Detex Corporation
 302 Detex Drive
 New Braunfels, Texas 78130-3045 USA
 PH. (830) 629-2900
 (800) 729-3839
 FAX (800) 653-3839
<http://www.detex.com>
 USA Sales:
marketing@detex.com
 International Sales:
export@detex.com

For detailed windstorm and fire listings, visit www.detex.com/PROVEN

Cancer & Reproductive Harm - www.detex.com/prop65

VALUE SERIES®

Electric Integration Panic Device (V40 EI)

The Electric Integration (V40 EI) device, designed for applications where electric integration is required, provides the customer with a means of integration to new or existing systems, including the Detex Series 800 Logic Controller. The customer may select from these components to integrate and create different functions from the single product package. This variety of components offers an alarm to sound, monitor the latch bolt position and/or pushpad when depressed, signals a remote panel by key switch operation when activated from inside or outside authorization, and offers 2 LED's to enhance required functions. The operation of switches will open or close (SPDT) to integrate with digital video recorders, remote alarms, strobe lights, or commence the cycle in a separate delayed egress system.



V40 EI
(Shown with mortise cylinder - sold separately)



V40 EI BK BLK
(Shown with mortise cylinder - sold separately)



V40 EI 711
(Shown with mortise cylinder - sold separately)

For use in Value Series rim (V40)

Benefits

- Priced to be the best value for durable and attractive loss prevention panic hardware
- Multiple switching choices for ease-of-use
- Angled end cap deflects damage away from device
- Durable electronics provide years of trouble free service, saving on replacement costs
- Controls foot traffic, deters unauthorized exits, prevents loss and meets building code requirements
- Fast and easy installation saves time and money
- Integrates with logic controllers, power supplies and most security equipment, to provide reliable integrated loss prevention protection
- Patented mounting plate and strike locator replaces paper templates

Features

- State-of-the-art electronics for reliable security and instantaneous switch activation
- Tamper resistant switching electronically monitors pushpad, latch bolt and outside key access
- 100dB piezo alarm
- Mortise cylinder key switch output (Form C)
- Pushpad/Latch bolt position switch outputs
- Authorized access switch output
- (3) Standard SPDT (Form C) switches
- Simple "plug-in" header type terminal strip located near end cap for easy install
- Dual LED visual arming indicators (one red and one green)
- All switching capable of handling 12 or 24 Volts AC or DC
- Code-compliant door sign
- FC3 - Flexible 3' Conduit Kit, mounts to device end cap

Mechanical Options

- LD - Less Dogging
- F - 3-Hour Fire Rated
- H - Hurricane Rated
- KS - Key Stop - Key removed only when armed
- LF - Less Flex Conduit
- FC10 - Flexible 10' Conduit Kit, mounts to device end cap
- PT5 - Concealed mortise mount power transfer
- EH8 - Five-knuckle energy transfer hinge - 8 wires

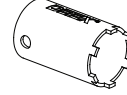
For full list of available mechanical options, see V40 Series How To Order page

Electrical Options

- 10-800 or 11-800 Logic Controller and Power Supply for Electric Integration (required but sold separately)
- LBM - Latch Bolt Monitoring

Accessories

- SN1 - Sex Nut Fasteners
- NSK - Narrow Stile Conversion Kit - Converts V40 to fit narrow stile glass door applications
- MC65 - Pre-installed Mortise Cylinder
- IC-7 - Pre-installed Interchangeable Core Housing
- AL18 - Surface Armored Loop (Door Frame mount)
- Foreign Language Signs available
- Security Torx Screws available
- Optional Cylinder Nut Wrench P/N: 103779



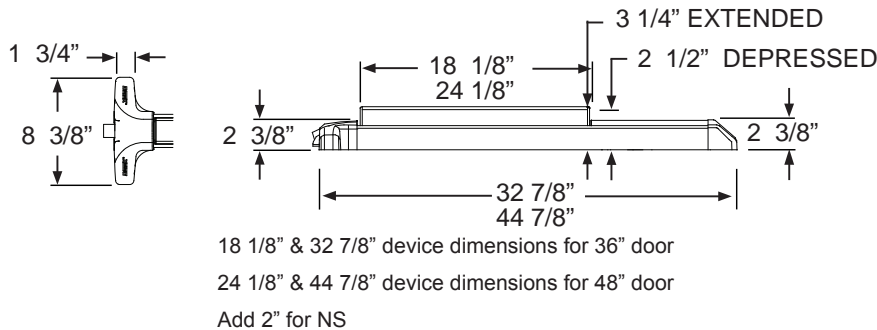
Technical Information

- Switch jumpers for NO/NC contacts
- Single Door Stile - Fits 3-1/2" minimum stile doors with 99 surface strike (Std.)
- Pairs of Doors Stile - Fits 4" minimum stile doors with 99 surface strike
- Door Stile - Fits 2" narrow stile doors - specify NS
- Machine and Self Drilling Screws (Std.)
- Through-wire hinge or power transfer compatible
- Detachable plug-in terminal strip

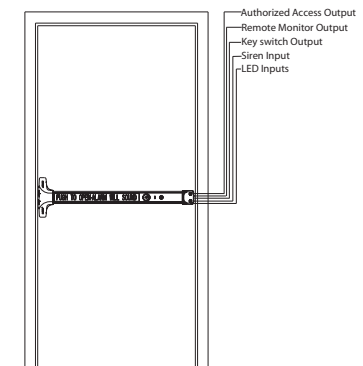
Finishes

- Available with 628 Base Rail Extrusion (Std.)
- Available with 711 Base Rail Extrusion

Dimensions



Riser Diagram



Listings and Approvals



UL Listed Panic Hardware



UL 97, Standard 7-2 and UL10B/UL10C for positive pressure



UL Listed Fire Exit Hardware for 3 hours, maximum 4'x10' single doors and pairs of 4'x8' with F90KR keyed removable mullion



Meets NFPA 80 & 101 for Life Safety



Meets ADA requirements



State of Florida Approval



ANSI/BHMA certified A156.3



Texas Department of Insurance



California State Fire Marshall

Detex Limited Warranty

10 Year Mechanical/3 Year Electrical Limited Manufacturer's Warranty



Detex Corporation
 302 Detex Drive
 New Braunfels, Texas 78130-3045 USA

PH. (830) 629-2900

(800) 729-3839

FAX (800) 653-3839

http://www.detex.com

USA Sales:

marketing@detex.com

International Sales:

export@detex.com

For detailed windstorm and fire listings, visit www.detex.com/PROVEN

Cancer & Reproductive Harm - www.detex.com/prop65

VALUE SERIES®

Electric Latch Retraction Panic Device with Request to Exit Switch (V40 ER EX)

The Electric Latch Retraction (V40 ER EX) exit device option is designed for entrance and exit doors with panic or fire exit hardware where remote unlocking, remote dogging, access control or automatic door operator is desired.



V40 ER EX 711 BLK

Wide Stile shown, for Narrow Stile, specify NS Option
(for use on 36" and 48" doors with 2" stiles).

Benefits

- Durable design provides years of trouble free protection, saving on replacement costs
- Fits almost any door in any décor
- Controls foot traffic, deters unauthorized exits, prevents loss and meets building code requirements
- Fast and easy installation saves time and money
- Patented mounting plate and strike locator replaces paper templates
- Angled end cap deflects damage away from device

Features

- Continuous Duty Motor - quiet operation
- Momentary or maintained latch and pushpad retraction
- FC3 - Flexible 3' Conduit Kit, mounts to device end cap
- Switches to monitor pushpad
- Voltage - 24VDC

Mechanical Options

- 36 - Fits 36" Door Width (Std.)
- Available with 711 Base Rail Extrusion
- EH8 - Five-knuckle energy transfer hinge - 8 wires
- 48 - Fits 48" Door Width
- LF - Less Flex Conduit
- For full list of available mechanical options, see V40 Series How To Order page
- F - 3-Hour Fire Rated
- FC10 - Flexible 10' Conduit Kit, mounts to device end cap
- H - Hurricane Rated
- PT5 - Concealed mortise mount power transfer
- 99 - Surface Strike (Std.)
- 98 - Semi Mortise Strike

Electrical Options

- 81-800 - Power Supply for single door
- Latch Retraction power supplies are required and sold separately
- 82-800 - Power Supply for pair of simultaneous doors
- 83-800 - Power Supply for two independent doors

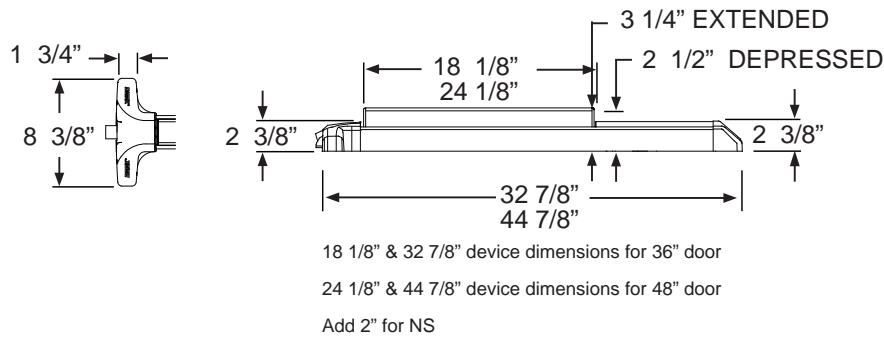
Accessories

- SN1 - Sex Nut Fasteners
- NSK - Narrow Stile Conversion Kit - Converts V40 to fit narrow stile glass door applications
- Outside Trim (see Value Series Trim Options)

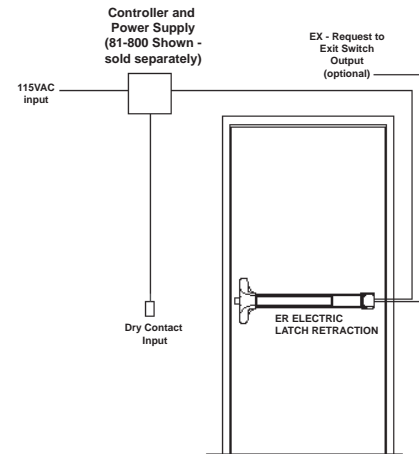
Technical Information

- Door Types - Wood, Hollow Metal, Fiberglass or Aluminum
- Door Thickness - Fits standard 1-3/4" - 2-1/4"
- Single Door Stile - Fits 3-1/2" minimum stile doors with 99 surface strike (Std.)
- Machine and Self-Drilling Screws (Std.)
- Pairs of Doors Stile - Fits 4" minimum stile doors with 99 surface strike
- Door Stile - Fits 2" narrow stile doors - specify NS
- Optional Sex Nuts or Security Torx Screws available
- 2 Amps to retract pushpad and latch
- 200mA to hold pushpad and latch retracted

Dimensions



Riser Diagram



Listings and Approvals



UL Listed Panic Hardware



UL Listed Fire Exit Hardware for 3 hours, maximum 4'x10' single doors and pairs of 4'x8' with F90KR keyed removable mullion



Meets ADA requirements



ANSI/BHMA certified A156.3



ULC 97, Standard 7-2 and UL10B/UL10C for positive pressure



Meets NFPA 80 & 101 for Life Safety



State of Florida Approval

Texas Department of Insurance



California State Fire Marshall

Detex Limited Warranty

10 Year Mechanical/3 Year Electrical Limited Manufacturer's Warranty

For detailed windstorm and fire listings, visit www.detex.com/PROVEN

Where Trust is Built™
DETEX®
Life Safety, Security and Security Assurance

Detex Corporation
 302 Detex Drive
 New Braunfels, Texas 78130-3045 USA
 PH. (830) 629-2900
 (800) 729-3839
 FAX (800) 653-3839
<http://www.detex.com>
 USA Sales:
marketing@detex.com
 International Sales:
export@detex.com

Cancer & Reproductive Harm - www.detex.com/prop65

VALUE SERIES®

Weatherized Electric Latch Retraction with Request to Exit Switch (V40 ER EX W)

The Weatherized Electric Latch Retraction (V40 ER EX W) function is designed for entrance and exit doors with panic or fire exit hardware exposed to weather environments where remote unlocking, remote dogging, or access control is desired. The ER EX W is listed as a UL panic and fire exit hardware device and conforms to UL 1034-34 Temperature Section 34, UL 1034-54 Dust Section 54, MIL-STD 810F, Method 509.4 (salt fog test), MIL-STD 810F, Method 506.4 (driving rain test) and UBC standard 7-2 (positive pressure). Power supply and controller must be installed in a NEMA 4X enclosure or located in a controlled, moisture-free environment.



V40 ER EX W 711 BLK

Benefits

- Works with any type of access control system
- Simultaneous pushpad and latch bolt retraction provides smooth surface with no catch points
- Provides a means for remote dogging and lock-down for added security in lockdown situations
- Fast and easy installation saves time and money
- Angled end cap deflects damage away from device
- Patented mounting plate and strike locator replaces paper templates

Features

- Low voltage with no high current in-rush
- Momentary or maintained latch and pushpad retraction
- Long term dogging capability
- Continuous duty motor for quiet operation - no loud solenoid
- FC3W - Weatherized 3' Flex Conduit Kit, mounts to device end cap
- Coated materials allow use in weather exposed environments
- Weatherized switches
- Simultaneous latch and pushpad retraction

Mechanical Options

- 36 - Fits 36" door widths (std.)
 - Available with 628 aluminum base rail
 - FC10W - Weatherized 10' Flex Conduit Kit, mounts to device end cap
 - 48 - Fits 48" door widths
 - Available with 711 black base rail
 - NS - Fits 2" narrow stile glass door
 - LF - Less Flex Conduit
 - F - 3-Hour Fire Rated
- For full list of available mechanical options, see V40 Series How To Order page

Electrical Options

- 81-800 - Power Supply for single door
- 82-800 - Power Supply for pair of simultaneous doors
- 83-800 - Power Supply for two independent doors
- Latch Retraction power supplies are required and sold separately

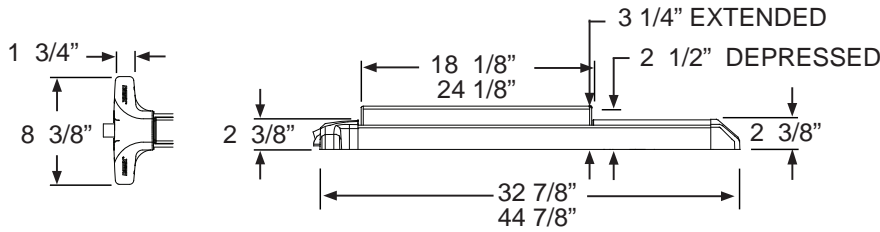
Accessories

- SN1 - Sex Nut Fasteners
- NSK - Narrow Stile Conversion Kit - Converts V40 to fit narrow stile glass door applications

Technical Information

- Voltage 24VDC
- 2 Amps to retract pushpad and latch
- 200mA to hold pushpad and latch retracted
- Door Stile - Fits 3-1/2" stile doors (std.)
- For 2" narrow stile glass doors, specify xNS

Dimensions

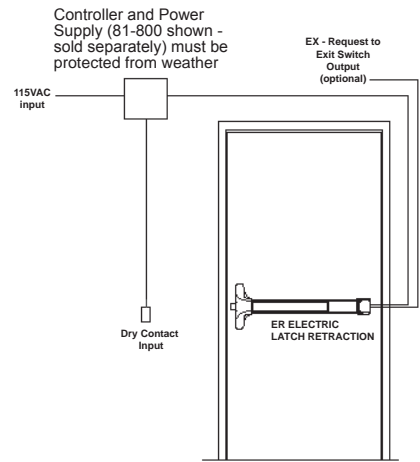


18 1/8" & 32 7/8" device dimensions for 36" door

24 1/8" & 44 7/8" device dimensions for 48" door

Add 2" for NS

Riser Diagram



Listings and Approvals



UL Listed Panic Hardware



Meets NFPA 80 & 101 for Life Safety



UL Listed Fire Exit Hardware for 3 hours, maximum 4'x10' single doors and pairs of 4'x8' with F90KR keyed removable mullion



UBC 97, Standard 7-2 and UL10B/UL10C for positive pressure

UL 1034-34 Temperature Section 34 [Temperature Range -31°F (-35°C) to 150°F (+66°C)]

UL 1034-54 Dust Section 54



State of Florida Approval



Meets ADA requirements

Texas Department of Insurance



California State Fire Marshall



ANSI/BHMA certified A156.3

MIL-STD 810F (G), Method 509.4 (Salt Fog Test)

MIL-STD 810F (G), Method 506.4 (Driving Rain), Procedure 1

Detex Limited Warranty

10 Year Mechanical/3 Year Electrical Limited Manufacturer's Warranty

For detailed windstorm and fire listings, visit www.detex.com/PROVEN



Detex Corporation
 302 Detex Drive
 New Braunfels, Texas 78130-3045 USA
 PH. (830) 629-2900
 (800) 729-3839
 FAX (800) 653-3839
<http://www.detex.com>
 USA Sales:
marketing@detex.com
 International Sales:
export@detex.com

Cancer & Reproductive Harm - www.detex.com/prop65

VALUE SERIES®

Electric Switching Rim Exit Device (V40 ES)

The Electric Switching (**V40 ES**) device option is designed for doors that require a means of switching when someone depresses the pushpad on the panic device during egress or retracts the latch using an authorized key in an outside trim. Always used in conjunction with other security items, the V40 ES provides a normally closed or normally open contact that can be used for a variety of different uses such as activating a remote horn or strobe. The V40 ES is UL listed as panic and fire exit hardware as well as UBC standard 7-02 (positive pressure).



Wide Stile shown, for Narrow Stile, specify NS Option
(for use on 36" and 48" doors with 2" stiles).

Benefits

- Priced to be the best value for durable and attractive loss prevention panic hardware
- Reduces employee and customer theft
- Integrates with other loss prevention equipment
- Fits almost any door in any décor
- Large, steel reinforced pushpad with black ABS cover resists damage
- Fast and easy installation saves time and money
- Patented mounting plate and strike locator replaces paper templates
- Controls foot traffic, deters unauthorized exits, prevents loss and meets building code requirements
- Withstands over 1400 pounds of static pull force for greater security
- Angled end cap deflects damage away from device

Features

- Signal switching monitors latch bolt, pushpad and authorized access
- Switch capable of signalling at low currents for integration to a central control station
- Stainless steel deadlocking latch bolt
- Remote bypass capability
- FC3 - Flexible 3' Conduit Kit, mounts to device end cap
- Tamper resistant housing protects internal switching, preventing manipulation
- Tamper resistant switching electronically monitors pushpad
- Normally Open or Normally Closed (field selectable)
- Standard SPDT (Form C) switch with three wires, Yellow (N/O), Brown (Common) & Green (N/C), creating either a Normally Open or Closed contact

Mechanical Options

- CD - Cylinder Dogging (Std.)
- HD - Hex Dogging
- LD - Less Dogging
- F - 3-Hour Fire Rated
- H - Hurricane Rated
- 36 - Fits 36" Door Width (Std.)
- 48 - Fits 48" Door Width
- 99 - Surface Strike (Std.)
- 98 - Semi Mortise Strike
- LF - Less Flex Conduit
- FC10 - Flexible 10' Conduit Kit, mounts to device end cap
- Available with 628 Base Rail Extrusion (Std.)
- Available with 711 (Black) Base Rail Extrusion
- RWE - Red pushpad with white lettering
- PT5 - Concealed mortise mount power transfer
- EH8 - Five-knuckle energy transfer hinge - 8 wires

For full list of available mechanical options, see V40 Series How To Order page

Electrical Options

- R - Remote Signal (Form C signaling when alarm sounds)
- LBM - Latch Bolt Monitoring

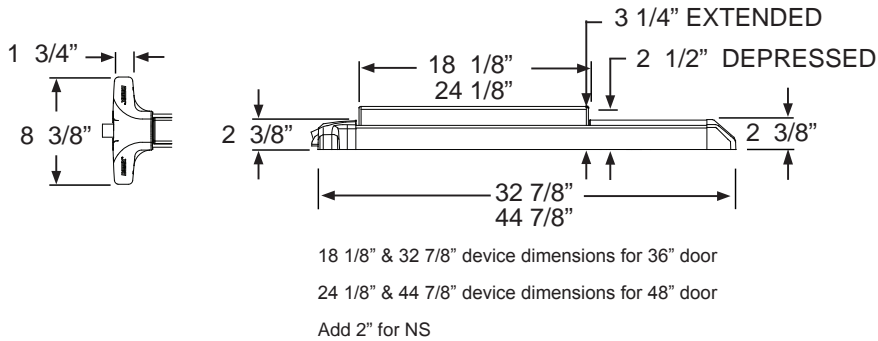
Accessories

- KS - Key Stop - key removed only when armed
- SN1 - Sex Nut Fasteners
- MC65 - Pre-Installed mortise cylinder
- NSK - Narrow Stile Conversion Kit - Converts V40 to fit narrow stile glass door applications
- SSK - Security Torx Screws
- IC7 - Pre-installed interchangeable core housing

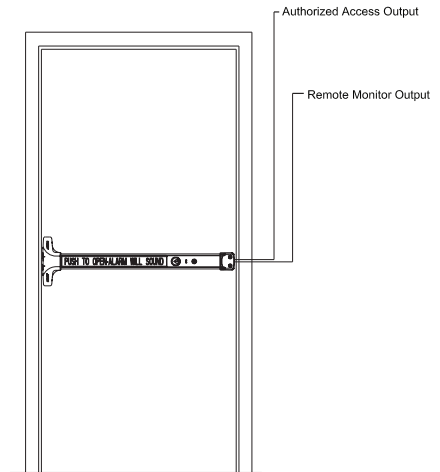
Technical Information

- Single Door Stile - Fits 3-1/2" minimum stile doors with 99 surface strike (Std.)
- Door Stile - Fits 2" narrow stile doors - specify NS
- Machine and Self Drilling Screws (Std.)
- Pairs of Doors Stile - Fits 4" minimum stile doors with 99 surface strike
- Detachable plug-in terminal strip
- Switch jumpers for NO/NC contacts
- Through-wire or power transfer compatible

Dimensions



Riser Diagram



Listings and Approvals



UL Listed Panic Hardware



ULC 97, Standard 7-2 and UL10B/UL10C for positive pressure



UL Listed Fire Exit Hardware for 3 hours, maximum 4'x10' single doors and pairs of 4'x8' with F90KR keyed removable mullion



Meets NFPA 80 & 101 for Life Safety



Meets ADA requirements



State of Florida Approval

Texas Department of Insurance



ANSI/BHMA certified A156.3



California State Fire Marshall

Detex Limited Warranty

10 Year Mechanical/3 Year Electrical Limited Manufacturer's Warranty



Detex Corporation
 302 Detex Drive
 New Braunfels, Texas 78130-3045 USA

PH. (830) 629-2900

(800) 729-3839

FAX (800) 653-3839

<http://www.detex.com>

USA Sales:

marketing@detex.com

International Sales:

export@detex.com

For detailed windstorm and fire listings, visit www.detex.com/PROVEN

Cancer & Reproductive Harm - www.detex.com/prop65

VALUE SERIES®

Electric Request to Exit Switching (V40 EX) High Current / Voltage Switching (V40 EXV)

The **V40 EX** Electric Request to Exit Switching device, designed for applications where electric signaling is required, provides the customer with a means of signaling when the push pad is depressed. The EX Exit Switching monitors the pushpad and when depressed, will open or close (SPDT) to signal an alarm, send a remote signal to monitor egress, or commence the cycle in a separate delayed egress system.



V40 EX HD 628 BLK



V40 EX HD 711 BLK

Wide Stile shown, for Narrow Stile, specify NS Option
(for use on 36" and 48" doors with 2" stiles).



V40 EX HD RWE

Benefits

- Priced to be the best value for panic exit hardware
- Provides reliable loss prevention protection 24-hours a day
- Rugged, durable design reduces maintenance
- Angled end cap deflects damage away from device
- Integrates with other loss prevention equipment
- Large, steel reinforced pushpad with black ABS cover resists damage
- Patented mounting plate and strike locator replaces paper templates
- Withstands over 1400 pounds of static pull force for greater security
- Fits almost any door in any décor
- Patented back plate and plastic strike locator designed for perfect alignment with door and frame without paper template
- Fast and easy installation saves time and money

Features

- Stainless steel deadlocking latch bolt
- Tamper resistant housing protects internal switching, preventing manipulation
- To shunt power to an electromagnetic lock, specify EXV
- Tamper resistant switching electronically monitors pushpad
- Standard SPDT (Form C) switch with three wires, Yellow (N/O), Brown (Common) & Green (N/C), creating either a Normally Open or Closed contact
- Switch capable of signalling at low currents for integration to a central control station
- FC3 - Flexible 3' Conduit Kit, mounts to device end cap

Mechanical Options

- CD - Cylinder Dogging
- HD - Hex Dogging (Std.)
- LD - Less Dogging
- F - 3-Hour Fire Rated
- H - Hurricane Rated
- 36 - Fits 36" Door Width (Std.)
- 48 - Fits 48" Door Width
- 99 - Surface Strike (Std.)
- 98 - Semi Mortise Strike
- Available with 628 Base Rail Extrusion (Std.)
- Available with 711 (Black) Base Rail Extrusion
- RWE - Red pushpad with white lettering
- LF - Less Flex Conduit
- FC10 - Flexible 10' Conduit Kit, mounts to device end cap
- PT5 - Concealed mortise mount power transfer
- EH8 - Five-knuckle energy transfer hinge - 8 wires

For full list of available mechanical options, see V40 Series How To Order page

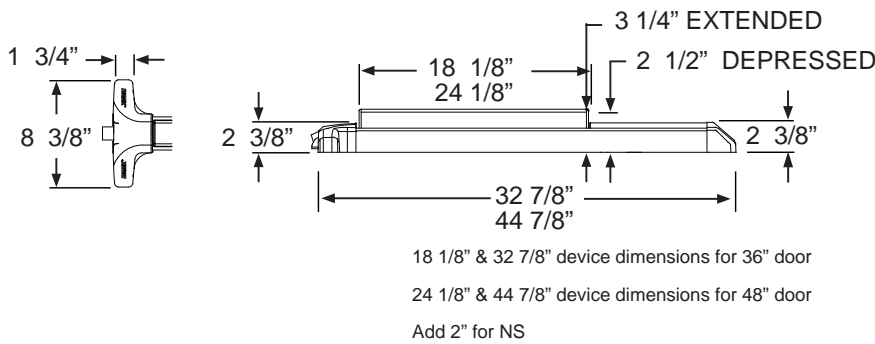
Accessories

- SN1 - Sex Nut Fasteners
- SSK3 - Security Screw Kit
- NSK - Narrow Stile Conversion Kit - Converts V40 to fit narrow stile glass door applications
- Outside Trim (see Value Series Trim Options)

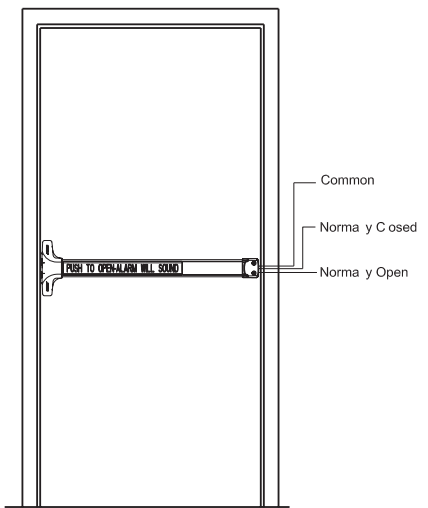
Technical Information

- Door Types - Wood, Hollow Metal, Fiberglass or Aluminum
- Door Thickness - Fits standard 1-3/4" - 2-1/4"
- Single Door Stile - Fits 3-1/2" minimum stile doors with 99 surface strike (Std.)
- Pairs of Doors Stile - Fits 4" minimum stile doors with 99 surface strike
- Door Stile - Fits 2" narrow stile doors - specify NS
- Machine and Self Drilling Screws (Std.)
- Optional Sex Nuts or Security Torx Screws available

Dimensions



Riser Diagram



Listings and Approvals



UL Listed Panic Hardware



ULC 97, Standard 7-2 and UL10B/UL10C for positive pressure



UL Listed Fire Exit Hardware for 3 hours, maximum 4'x10' single doors and pairs of 4'x8' with F90KR keyed removable mullion



Meets NFPA 80 & 101 for Life Safety



Meets ADA requirements



State of Florida Approval

Texas Department of Insurance



ANSI/BHMA certified A156.3



California State Fire Marshall

Detex Limited Warranty
10 Year Mechanical/3 Year Electrical
Limited Manufacturer's Warranty



Detex Corporation
302 Detex Drive
New Braunfels, Texas 78130-3045 USA
PH. (830) 629-2900
(800) 729-3839
FAX (800) 653-3839
<http://www.detex.com>
USA Sales:
marketing@detex.com
International Sales:
export@detex.com

For detailed windstorm and fire listings, visit www.detex.com/PROVEN

Cancer & Reproductive Harm - www.detex.com/prop65

VALUE SERIES®

Electric Request to Exit Weatherized Switching Weatherized Switching (V40 EX W)

High Current / Voltage Weatherized Switching (V40 EXV W)

The **V40 EX W** Electric Request to Exit Switching device, designed for outdoor gates and other wet environments, provides the customer with a means of signaling when the pushpad is depressed. This will open or close switch contacts (SPDT) and signal an alarm, remote strobe light or commence the cycle in a separate delayed egress system.



V40 EX W



V40 EX W BK BLK



V40 EX W CD

Wide Stile shown, for Narrow Stile, specify NS Option
(for use on 36" and 48" doors with 2" stiles).

Benefits

- Priced to be the best value for panic exit hardware
- Provides reliable loss prevention protection 24-hours a day
- Rugged, weatherized and corrosion resistant for years of reliable service
- Angled end cap deflects damage away from device
- Integrates with other loss prevention equipment
- Large, steel reinforced pushpad with black ABS cover resists damage
- Fast and easy installation saves time and money
- Patented mounting plate and strike locator replaces paper templates
- Withstands over 1400 pounds of static pull force for greater security
- Fits almost any door in any décor
- Patented back plate and plastic strike locator designed for perfect alignment with door and frame without paper template

Features

- Stainless steel, 3/4" throw deadlocking latch bolt
- Tamper resistant switching electronically monitors pushpad
- Covers a 161 door prep
- Weatherized switch for signalling at low currents to a central control station
- Standard SPDT (Form C) switch with three wires, Yellow (N/O), Brown (Common) & Green (N/C), creating either a Normally Open or Closed contact
- Withstands environmental elements when installed on gates or exterior doors
- Fits 2" narrow stile doors with optional narrow stile door kit
- To shunt power to an electromagnetic lock, specify EXV W
- FC3W - Weatherized 3' Flex Conduit Kit, mounts to device end cap

Mechanical Options

- CD - Cylinder Dogging
- HD - Hex Dogging (Std.)
- LD - Less Dogging
- F - 3-Hour Fire Rated
- H - Hurricane Rated
- 36 - Fits 36" Door Width (Std.)
- 48 - Fits 48" Door Width
- 99 - Surface Strike (Std.)
- 98 - Semi Mortise Strike
- 95 - Double Door Strike
- Available with 628 Base Rail Extrusion (Std.)
- Available with 711 (Black) Base Rail Extrusion
- RWE - Red pushpad with white lettering
- LF - Less Flex Conduit
- FC10W - Weatherized 10' Flex Conduit Kit, mounts to device end cap

For full list of available mechanical options, see V40 Series How To Order page

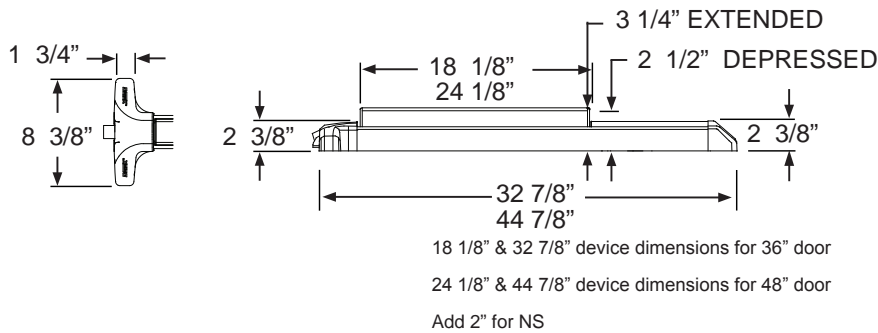
Accessories

- SN1 - Sex Nut Fasteners
- KS - Key Stop - key removed only when armed
- NSK - Narrow Stile Conversion Kit - Converts V40 to fit narrow stile glass door applications
- SSK3 - Security Screw Kit
- GTPLKIT - Adjustable Gate Plate
- Outside Trim (see Value Series Trim Options)

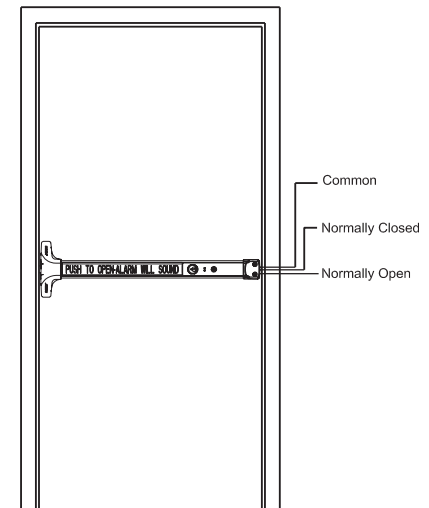
Technical Information

- Door Types - Wood, Hollow Metal, Fiberglass or Aluminum
- Door Thickness - Fits standard 1-3/4" - 2-1/4"
- Door Stile - Fits 2" narrow stile doors with 98 semi-mortise strike - Specify V40xNS
- Door Stile - Fits standard door with 99 surface strike (Std.)
- Machine and Self Drilling Screws (Std.)
- Optional Sex Nuts or Security Torx Screws available

Dimensions



Riser Diagram



Listings and Approvals



UL Listed Panic Hardware



UL Listed Fire Exit Hardware for 3 hours, maximum 4'x10' single doors and pairs of 4'x8' with F90KR keyed removable mullion

UL1034-34 Temperature Section 34 [Temperature Range -31°F (-35° C) to 150° F (+66° C)]

UL1034-54 Dust Section 54



Meets ADA requirements



ANSI/BHMA certified A156.3



ULC 97, Standard 7-2 and UL10B/UL10C for positive pressure



Meets NFPA 80 & 101 for Life Safety



State of Florida Approval

Texas Department of Insurance



California State Fire Marshall

MIL-STD 810F (G), Method 509.4 (Salt Fog Test)

MIL-STD 810F (G), Method 506.4 (Driving Rain), Procedure 1

Detex Limited Warranty
10 Year Mechanical/3 Year Electrical
Limited Manufacturer's Warranty

For detailed windstorm and fire listings, visit www.detex.com/PROVEN

Cancer & Reproductive Harm - www.detex.com/prop65

Where Trust is Built™
DETEX®
Life Safety, Security and Security Assurance

Detex Corporation
302 Detex Drive
New Braunfels, Texas 78130-3045 USA
PH. (830) 629-2900
(800) 729-3839
FAX (800) 653-3839
<http://www.detex.com>
USA Sales:
marketing@detex.com
International Sales:
export@detex.com

VALUE SERIES®

Surface Vertical Rod Device with Alarm (V50 EA / V51 EA) (Formerly EH/EH R)

The **V50 EA** device option is designed for pairs of doors without mullions that require a hardwired, alarmed panic device with remote signal and bypass. When the alarm sounds a remote signal can be sent to turn on a remote horn, strobe or other security device. The alarms can also be bypassed using a remote button, keypad, card reader or other access control device. The alarm, with approximately 100dB will sound when someone attempts to exit, alerting management that an unauthorized exit has occurred. With electric switching that monitors the pushpad, the V50 EA provides a high level of security while also meeting all life safety concerns.



Benefits

- Priced to be the best value for durable, attractive loss prevention panic hardware
- Reduces employee and customer theft
- Angled end cap deflects damage away from device
- Durable design provides years of trouble-free protection, saving on replacement cost
- Fast and easy installation saves time and money
- Patented mounting plate and strike locator replaces paper templates
- Fits any door in almost any décor
- Controls foot traffic, deters unauthorized exits, prevents loss and meets building code requirements
- Outside trims are easily changed or rekeyed without removing device from door

Features

- V50 EA - Alarmed exit device powered by 12V or 24V AC/DC power, with a 9-volt battery back-up
- Remote Signal - Form C signaling when alarm sounds
- Remote Bypass input allows authorized use without an alarm
- Patented mounting plate and strike locator system replaces paper template
- Handed, field reversible, field sizeable
- 100 decibel alarm
- Stainless steel, 3/4" deadlocking top latch bolt
- Bottom drop bolt, 5/8" dia. x5-5/8" long secures into strike plate
- Single mortise cylinder (sold separate) provides arming and dogging
- Accommodates all types of mortise cylinders with a standard Yale cam (collar required for 7-pin IC cylinders)
- 1/8 turn dogging
- State-of-art electronics offer reliable security and instantaneous alarm
- Field selectable key rearm or 2 min. auto rearm
- Visual and audible arming indicators
- Armed and disarmed field selectable status indicator
- FC3 - Flexible 3' Conduit Kit, mounts to device end cap

Mechanical Options

- CD - Cylinder Dogging (Std.)
- LD - Less Dogging (mortise cylinder required for arming)
- IC7 - 7 pin small format interchangeable housing pre-installed at factory
- MC65 - Mortise cylinder pre-installed at factory
- F - 3-Hour Fire Rated
- 36 - Fits 36" door width (Std)
- 48 - Fits 48" door width
- KS - Key Stop (key removed only when armed)
- Available with 628 Base Rail Extrusion (Std.)
- Available with 711 Base Rail Extrusion
- LF - Less Flex Conduit
- FC10 - Flexible 10' Conduit Kit, mounts to device end cap
- PT5 - Concealed mortise mount power transfer
- EH8 - Five-knuckle energy transfer hinge

For full list of available mechanical options, see V50 Series How To Order page

Electrical Options

- 1, 5 second arming delay (15 second - standard)
- 10 or 20 minute auto rearm (2 minute - standard)
- SI - Status Indicator LED's indicate armed status

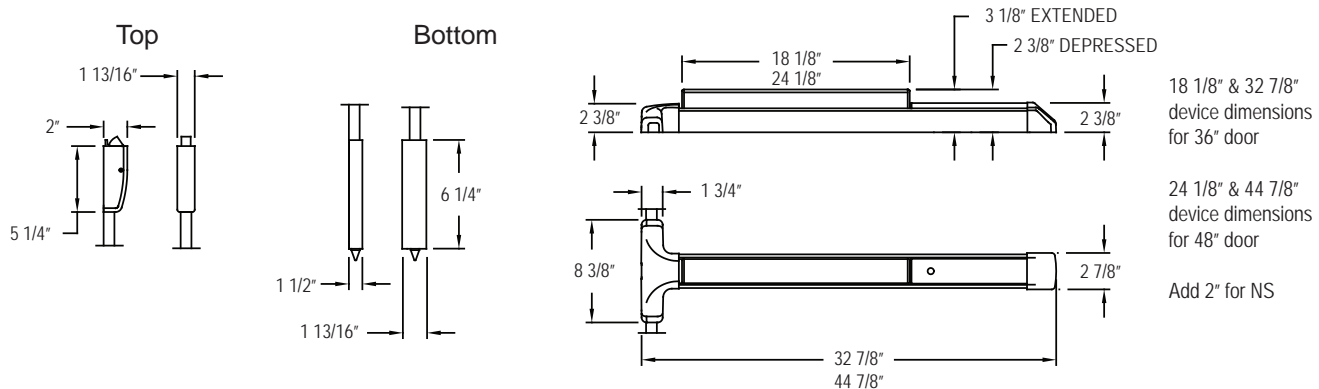
Accessories

- SN1 - Sex Nut fasteners
- NSK - Narrow Stile Conversion Kit - Converts V50 to fit narrow stile glass door applications
- Outside trim (see Value Series Trim Options)

Technical Information

- Door Types - Wood, Hollow Metal, Fiberglass or Aluminum
- Door Stile - Fits 3-1/2" stile doors (Std.)
- Optional Sex Nuts or Security Torx Screws available
- Door Thickness - Fits standard 1-3/4" - 2-1/4" (for other door thicknesses contact factory)
- For 2" narrow stile glass doors specify suffix V50xNS
- Rail is heavy ribbed aluminum extrusion
- Machine and Sheet Metal Screws (Std.)

Dimensions



Listings and Approvals



UL Listed Panic Hardware



Meets ADA requirements



ANSI/BHMA certified A156.3



UBC 97, Standard 7-2 and UL10B/UL10C for positive pressure

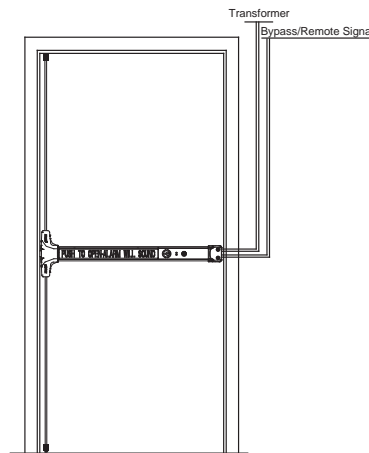


Meets NFPA 80 & 101 for Life Safety



California State Fire Marshall

Riser Diagram



Detex Limited Warranty

10 Year Mechanical/3 year Electrical Limited Manufacturer's Warranty



Detex Corporation
 302 Detex Drive
 New Braunfels, Texas 78130-3045 USA
 PH. (830) 629-2900
 (800) 729-3839
 FAX (800) 653-3839
<http://www.detex.com>
 USA Sales:
marketing@detex.com
 International Sales:
export@detex.com

For detailed windstorm and fire listings, visit www.detex.com/PROVEN

Cancer & Reproductive Harm - www.detex.com/prop65

VALUE SERIES®

Alarmed Surface Vertical Rod Device (V50 EB / V51 EB)

The V50 EB / V51 EB is designed for primary and secondary exits that require an alarmed surface vertical rod exit device. The 100dB alarm will sound when someone attempts to exit, alerting management to the unauthorized exit. Available in various configurations, the V50xEB provides security while meeting all life safety concerns, offering exceptional value.



Benefits

- Priced to be the best value for durable, attractive 2 point locking loss prevention panic hardware
- Reduces employee and customer theft
- 2 Point locking provides superior holding force
- Durable design provides years of trouble-free protection, saving on replacement cost
- Fast and easy installation saves time and money
- Angled end cap deflects damage away from device
- Fits any door in almost any décor
- Controls foot traffic, deters unauthorized exits, prevents loss and meets building code requirements
- Patented mounting plate and strike locator replaces paper templates

Features

- Stainless steel, 3/4" deadlocking top latch bolt
- Bottom drop bolt, 5/8" dia. x 5-5/8" long secures into strike plate
- Handed, field reversible, field sizeable
- 100 decibel alarm
- 1/8 turn dogging
- Modular design accepts a variety of outside trims and functions
- Heavy-duty ribbed aluminum rail extrusion
- Accommodates all types of mortise cylinders with a standard Yale cam (collar required for 7-pin IC cylinders)
- Single mortise cylinder (sold separately) provides arming and dogging
- State-of-art electronics offer reliable security and instantaneous alarm
- Field selectable key rearm or 2 min. auto rearm
- Visual and audible arming indicators
- Armed and disarmed field selectable status indicator
- Delayed arming allows arming after door closes
- Impact resistant ABS and anodized surfaces

Mechanical Options

- V51 - Top Rod Only
- F - 3-Hour Fire Rated
- CD - Cylinder Dogging (Std.)
- LD - Less Dogging
- 36 - Fits 36" Door Widths (Std.)
- 48 - Fits 48" Door Widths
- 84 - Fits 7' Door Height (Std.)
- 96 - Fits 8' Door Height
- 120 - Fits 10' Door Height
- 96 Surface top stike top (Std.)
- 96B Bottom dust proof strike
- NS - Fits 2" Narrow stile glass door
- Available with 628 base rail extrusion
- Available with 711 base rail extrusion
- RC - Rod Covers (630 Brushed Stainless)
- BG - Bottom bolt and 12" ADA ramped cover (630 Brushed Stainless)
- RWE - Red pushpad with white English text standard (contact factory for list of available languages)
- FC3 - Flexible 3' Conduit Kit, mounts to device end cap
- FC10 - Flexible 10' Conduit Kit, mounts to device end cap
- PT5 - Concealed mortise mount power transfer
- EH8 - Five-knuckle energy transfer hinge - 8 wires

For full list of available mechanical options, see V50 Series How To Order page

Electrical Options

- Weatherized Alarmed Surface Vertical Rod (EB W)

Refer to Electrified Options section for more information

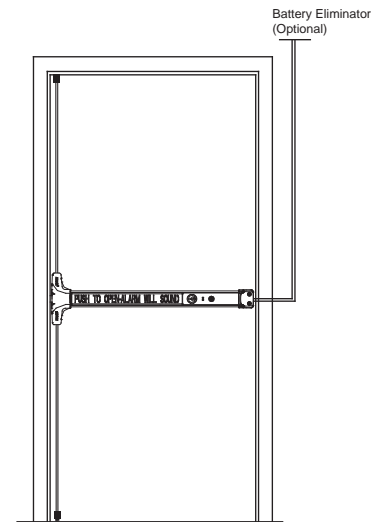
Accessories

- Outside Trim (see Value Series Trim Options)
- NSK - Narrow Stile Conversion Kit - Converts V50 to fit narrow stile glass door applications
- KS - Key Stop - key removed only when armed
- GB# - Glass Bead Kits
- SN1 - Sex Nut Kit (2 per package)

Technical Information

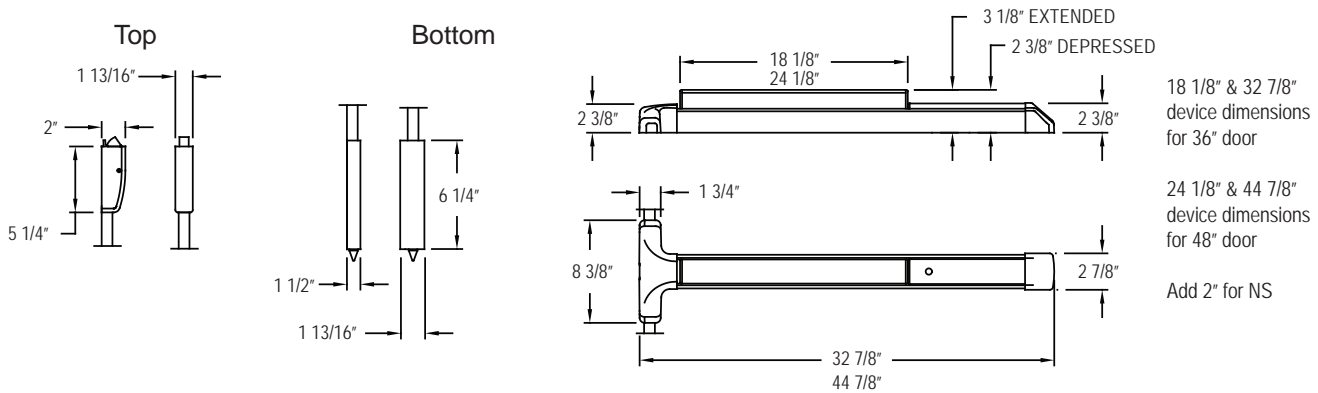
- Door Stile - Fits 3-1/2" stile doors (Std.)
- For 2" narrow stile glass doors specify suffix V50xNS
- Fasteners - Machine and Self-Drilling Screws standard

Riser Diagram



(Shown with optional hardware)

Dimensions



Listings and Approvals



UL Listed Panic Hardware



UL Listed Fire Exit Hardware for 3 hours, maximum 4'x10' single doors and 8'x10' pairs of doors



Meets ADA requirements



ANSI/BHMA certified A156.3



Meets NFPA 80 & 101 for Life Safety



State of Florida Approval

Texas Department of Insurance



California State Fire Marshall

Detex Limited Warranty

10 Year Mechanical/3 year Electrical Limited Manufacturer's Warranty

Where Trust is Built™
DETEX®
 Life Safety, Security and Security Assurance

For detailed windstorm and fire listings, visit www.detex.com/PROVEN

Detex Corporation
 302 Detex Drive
 New Braunfels, Texas 78130-3045 USA
 PH. (830) 629-2900
 (800) 729-3839
 FAX (800) 653-3839
<http://www.detex.com>
 USA Sales:
marketing@detex.com
 International Sales:
export@detex.com

Cancer & Reproductive Harm - www.detex.com/prop65

VALUE SERIES®

Weatherized Alarmed Surface Vertical Rod Exit Device (V50 EB W / V51 EB W)

The **V50 EB W** device option is designed for pairs of doors or gates without mullions that require battery powered, alarmed weatherized panic devices. The 100dB alarm will sound when someone attempts to exit, alerting management to the unauthorized exit. The internal alarm with both remote bypass and remote signaling capabilities is ideal for applications where both security and life safety are a concern. In addition to listing as UL panic and fire exit hardware, this device conforms to UL 1034-34 Temperature Section 34, UL 1034-54 Dust Section 54, MIL-STD 810F Method 506.4 (driving rain test), MIL-STD 810F, Method 509.4 (salt fog test) and UBC standard 7-1 (positive pressure).



Benefits

- Weather resistant loss prevention hardware designed for use in outdoor or wet environments
- Patented mounting plate and plastic strike locator designed for perfect alignment with door and frame without paper template
- Angled end cap deflects damage away from device
- Provides reliable loss prevention protection both indoors and out, 24 hours a day
- Fast and easy installation saves time and money
- Patented mounting plate and strike locator replaces paper templates
- Controls foot traffic to deter unauthorized exits and reduces employee and customer theft
- Rugged, durable, corrosion-resistant design reduces maintenance
- Aesthetically pleasing design for almost any door or gate in any décor

Features

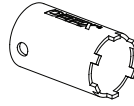
- Powered by 9-volt battery
- Handed, field reversible, field sizeable
- Stainless steel 3/4" deadlocking, top latch bolt
- Bottom drop bolt, 5/8" dia. x 5-5/8" long secures into strike plate
- Tamper-resistant housing protects electronics, battery and internal hardware, preventing manipulation
- State of the art electronics offer reliable security and instantaneous alarm
- Plated steel, anodized aluminum and ABS components endure heavy use and exposure to the elements
- Built-in inhibitors prevent ABS fading and weakening, typically caused by exposure to extreme temperatures and UV rays
- Accommodates mortise cylinders with Yale cam (7-pin IC requires collar)
- Field selectable key rearm or 2 min. auto rearm
- Single mortise cylinder (sold separately) provides arming and dogging
- Armed and disarmed field selectable status indicator
- Delayed arming allows arming after door closes with visual and audible indicators
- Remote Signal Form C signaling when alarm sounds and remote bypass input allows authorized use without an alarm (standard feature)
- 100dB alarm

Mechanical Options

- CD - Cylinder Dogging (Std.)
 - LD - Less Dogging
 - F - 3-Hour Fire Rated
 - 36 - Fits 36" Door Width (Std.)
 - 48 - Fits 48" Door Width
 - SN1 - Sex Nut Fasteners
 - KS - Key Stop - key removed only when armed
 - MC65 - Mortise cylinder pre-installed at factory
 - IC-7 - 7 pin small format interchangeable cylinder housing pre-installed at factory
 - FC3W - Weatherized 3' Flex Conduit Kit, mounts to device end cap
 - FC10W - Weatherized 10' Flex Conduit Kit, mounts to device end cap
- For full list of available mechanical options, see V50 Series How To Order page

Mechanical Options Cont'd and Accessories

- Available with 711 (Black) Base Rail Extrusion
- Available with 628 Base Rail Extrusion (Std.)
- NSK - Narrow Stile Conversion Kit - Converts V50 to fit narrow stile glass door applications
- Outside Trim (see Value Series Trim Options)
- Optional Cylinder Nut Wrench P/N: 103779



Technical Information

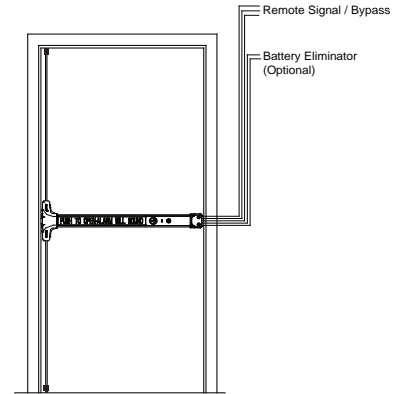
- Door Types - Wood, Hollow Metal, Fiberglass or Aluminum
- 2" Aluminum doors need to be ordered as a narrow stile (NS)
- Door Thickness - Fits standard 1-3/4" - 2-1/4" (for other door thicknesses, contact factory)
- Machine and Sheet Metal Screws (Std.)
- Optional Sex Nuts or Security Torx Screws available
- Rail is heavy ribbed aluminum extrusion

Electrical Options

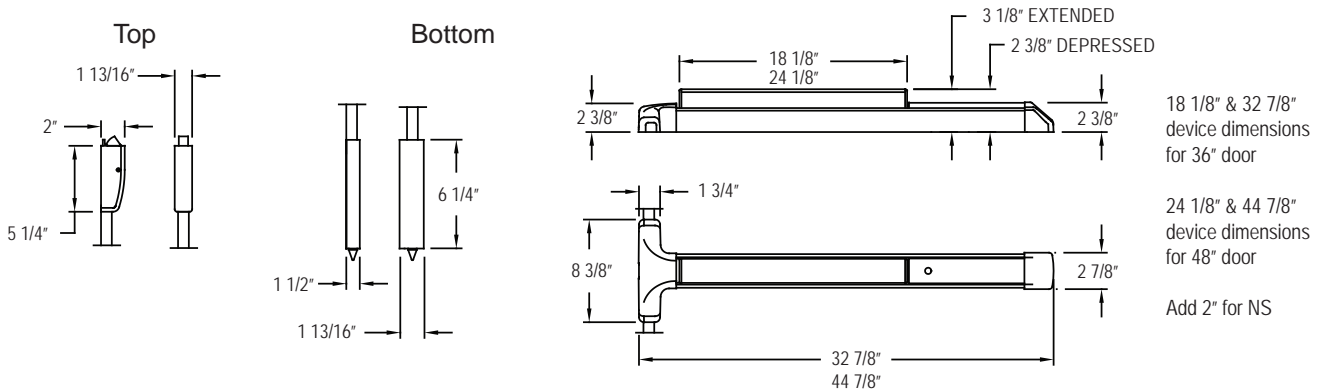
Other Weatherized Detex Products Include:

- Request to Exit Signalling Weatherized (EXxW)

Riser Diagram



Dimensions



Listings and Approvals



UL Listed Panic Hardware



UL Listed Fire Exit Hardware for 3 hours, maximum 4'x10' single doors and 8'x10' pairs of doors

UL1034-34 Temperature Section 34 [Temperature Range -31°F (-35° C) to 150° F (+66° C)]

UL1034-54 Dust Section 54

Meets ADA requirements



ANSI/BHMA certified A156.3



UBC 97, Standard 7-2 and UL10B/UL10C for positive pressure



Meets NFPA 80 & 101 for Life Safety



State of Florida Approval



Texas Department of Insurance



California State Fire Marshall

MIL-STD 810F (G), Method 509.4 (Salt Fog Test)

MIL-STD 810F (G), Method 506.4 (Driving Rain), Procedure 1

Detex Limited Warranty

10 Year Mechanical/3 Year Electrical Limited Manufacturer's Warranty

Where Trust is Built™

DETEx
Life Safety, Security and Security Assurance

Detex Corporation
302 Detex Drive
New Braunfels, Texas 78130-3045 USA

PH. (830) 629-2900

(800) 729-3839

FAX (800) 653-3839

http://www.detex.com

USA Sales:

marketing@detex.com

International Sales:

export@detex.com

For detailed windstorm and fire listings, visit www.detex.com/PROVEN



Cancer & Reproductive Harm - www.detex.com/prop65

VALUE SERIES®

Electric Dogging (V50 ED / V51 ED)

The **V50 ED / V51 ED** Electric Dogging device is designed for pairs of entrance and exit doors with panic or fire exit hardware. When energized, and after a pushpad is depressed, the pushpad and the latch bolt remain retracted, providing push-pull operation. Relocking all devices is accomplished by using a single switch or through a fire alarm input.



V50 ED



V50 RC BG
(Optional Rod Covers and Bolt Guard shown)

Benefits

- Priced to be the best value for durable and attractive panic hardware
- Pushpad remains depressed while latch is retracted, preventing unnecessary cycling, for quieter operation
- Allows remote deactivation of dogging for instantaneous lockdown mode
- Fits almost any door in any décor
- Fast and easy installation saves time and money
- Angled end cap deflects damage away from device
- Door remains locked until first activation of pushpad (exit) allows remote activation of dogging mode
- While dogged, pushpad remains out of the path of egress, removing the typical catch point found with other exit devices
- Economical alternative to latch retraction when only dogging is required
- Rugged, durable design reduces maintenance
- One-touch operation turns any secured door or group of doors into push-pull openings and releases them as required
- Patented mounting plate and strike locator replaces paper templates

Features

- Tamper resistant housing
- Stainless steel 3/4" deadlocking, top latch bolt
- Bottom drop bolt, 5/8" dia. x 5-5/8" long secures into strike plate
- Maintained latch and pushpad retraction
- Continuous duty magnet
- Operates on 24VAC or 24VDC
- Handed, field reversible
- FC3 - Flexible 3' Conduit Kit, mounts to device end cap

Mechanical Options

- F - 3-Hour Fire Rated
- H - Hurricane Rated
- V51- Top Rod Only
- 36 - Fits 36" Door Width (std.)
- 48 - Fits 48" Door Width
- 84 - Fits 7' Door Width
- 96 - Fits 8' Door Height
- 120 - Fits 10' Door Height
- RC - Rod Covers (630 Brushed Stainless)
- BG - Bottom bolt and 12" ADA ramped cover (630 Brushed Stainless)
- 96 Top Surface Strike (Std.)
- 96B - Bottom dustproof strike
- NS - Fits 2" Narrow stile glass door - Specify V50xNS
- Available with 628 Base Rail Extrusion (Std.)
- Available with 711 Base Rail Extrusion
- LF - Less Flex Conduit
- FC10 - Flexible 10' Conduit Kit, mounts to device end cap
- PT5 - Concealed mortise mount power transfer
- EH8 - Five-knuckle energy transfer hinge - 8 wires

For full list of available mechanical options, see V50 Series How To Order page

Electrical Options

- EX - Request to Exit Switch
- 90-800 - 24VDC filtered, regulated with fire loop connection
- 80-800 Power Supply - 24VDC filtered, regulated with fire loop connection with battery charging circuit
- PP-5152-2 24VAC transformer

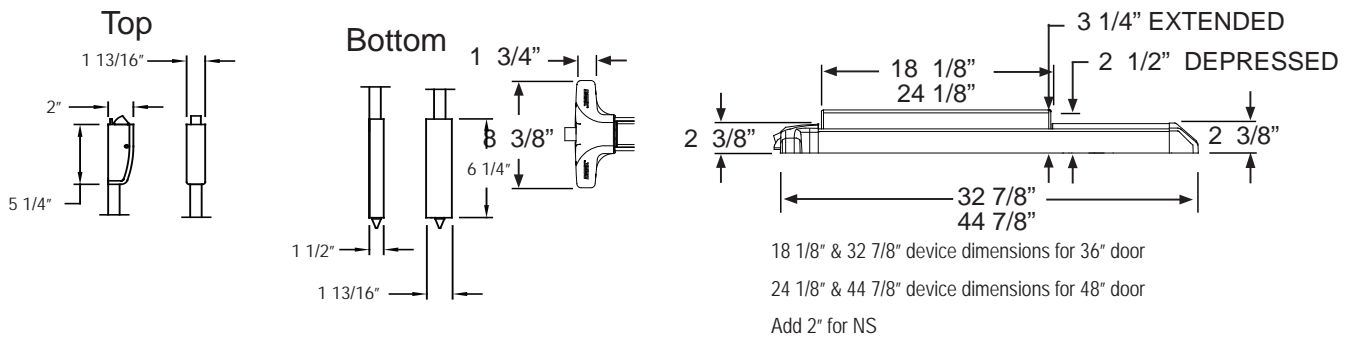
Accessories

- SN1 - Sex Nut Fasteners
- Outside Trim (see Value Series Trim Options)
- PT5 - Power Transfer
- EWH8-626 - Electric Hinge
- NSK - Narrow Stile Conversion Kit - Converts V50 to fit narrow stile glass door applications

Technical Information

- Door Types - Wood, Hollow Metal, Fiberglass or Aluminum
- Door Stile - Fits 3-1/2" stile doors (Std.)
- Machine and Self Drilling Screws (Std.)
- Door Thickness - Fits standard 1-3/4" - 2-1/4"
- For 2" narrow stile glass doors specify suffix V50xNS
- Optional Sex Nuts or Security Torx Screws available

Dimensions



Listings and Approvals



UL Listed Panic Hardware



UL Listed Fire Exit Hardware for 3 hours, maximum 4'x10' single doors and pairs of 4'x8' with F90KR keyed removable mullion



Meets ADA requirements



ANSI/BHMA certified A156.3



ULC 97, Standard 7-2 and UL10B/UL10C for positive pressure



Meets NFPA 80 & 101 for Life Safety



State of Florida Approval

Texas Department of Insurance



California State Fire Marshal

Detex Limited Warranty

10 Year Mechanical/3 Year Electrical Limited Manufacturer's Warranty

Where Trust is Built™

DETEx[®]
 Life Safety, Security and Security Assurance

For detailed windstorm and fire listings, visit www.detex.com/PROVEN

Detex Corporation
 302 Detex Drive
 New Braunfels, Texas 78130-3045 USA
 PH. (830) 629-2900
 (800) 729-3839
 FAX (800) 653-3839
<http://www.detex.com>
 USA Sales:
marketing@detex.com
 International Sales:
export@detex.com

Cancer & Reproductive Harm - www.detex.com/prop65

VALUE SERIES®

Delayed Egress Surface Vertical Rod Device (V50 EE / V51 EE)

The V50 EE / V51 EE, designed for **primary and secondary exits**, provides a secure **15-second delay** and a **100dB alarm** when someone attempts to exit. This 15-second delay allows management time to respond before someone exits and the alarm deters the exit from occurring. Per life safety requirements, the V50 EE must be provided with a fire alarm input, thus providing a system override during a fire emergency. The V50 EE provides security while meeting all life safety concerns, offering an exceptional value.



Benefits

- Priced to be the best value for durable and attractive delayed egress panic hardware
- Fast and easy installation saves time and money
- Angled end cap deflects damage away from device
- Durable design provides years of trouble-free protection, saving on replacement costs
- Patented mounting plate and strike locator replaces paper templates
- Controls foot traffic, deters unauthorized exits, prevents loss and meets building code requirements
- Reduces employee and customer theft
- Fits almost any door in any décor

Features

- Power supply delivers a constant 24VDC of filtered and regulated voltage at a rated load of 1A
- Stainless steel, 3/4" deadlocking top latch bolt
- Non-handed, field sizeable
- 100dB alarm
- 1/8 turn cylinder dogging
- Heavy-duty ribbed aluminum rail extrusion
- Remote Signal Form C signaling when alarm sounds and remote bypass input allows authorized use without an alarm
- Accommodates all types of mortise cylinders with a standard Yale cam
- Single mortise cylinder provides arming and dogging - can be factory installed
- State-of-the-art electronics offer reliable security and instantaneous alarm
- Visual and audible arming indicators
- 9V battery provides alarm function only in case of power failure
- Alarm triggered by pushpad movement
- Armed and disarmed field selectable status indicator
- Delayed arming allows arming after door closes
- Fire alarm input can be connected at power supply
- Remote signal output and remote bypass input standard
- Includes delayed egress panic bar, 24VDC filtered and regulated power supply, door sign and 3' conduit loop
- FC3 - Flexible 3' Conduit Kit, mounts to device end cap

Mechanical Options


- MC65 - Factory Installed Mortise cylinder
- IC7 - Factory Installed IC Housing
- F - 3-Hour Fire Rated
- CD - Cylinder Dogging (Std.)
- LD - Less Dogging
- 36" Door Width (Std.)
- 48" Door Width
- KS - Key Stop (Key removed only when armed)
- Available with 628 Base Rail Extrusion (Std.)
- Available with 711 Base Rail Extrusion
- Door Stile - Fits 3-1/2" stile doors (Std.)
- For 2" narrow stile glass doors specify suffix V50xNS
- LF - Less Flex Conduit
- FC10 - Flexible 10' Conduit Kit, mounts to device end cap
- PT5 - Concealed mortise mount power transfer
- EH8 - Five-knuckle energy transfer hinge - 8 wires

For full list of available mechanical options, see V50 Series How To Order page

Electrical Options

- 30 - 30 second delayed egress available - Letter from Authority Having Jurisdiction required
- AL18 - Surface Armored Loop (Door/Frame mounted)
- PT5 - Power Transfer
- EE05 Options Package - Non-extended bypass, alarm sounds if door left open / silent arming / reset alarm with access control, or reset alarm with key only.

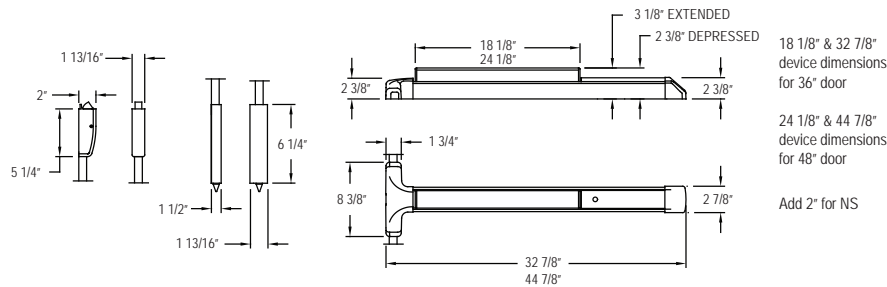
Accessories

- Optional Cylinder Nut Wrench P/N: 103779 
- NSK - Narrow Stile Conversion Kit - Converts V50 to fit narrow stile glass door applications
- SN1 - Sex Nut Fasteners
- Outside Trim (see Value Series Trim Options)
- Foreign Language Signs available Contact Factory

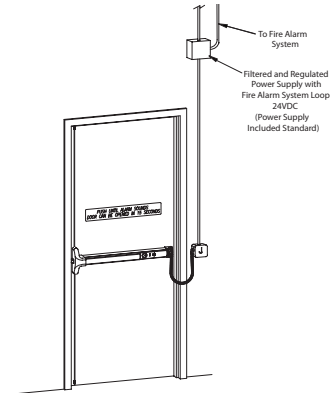
Technical Information

- Door Types - Wood, Hollow Metal, Fiberglass or Aluminum
- Door Stile - Fits 3-1/2" stile doors (Std.)
- Machine and Self-Drilling Screws (Std.)
- Door Thickness - Fits standard 1-3/4" - 2-1/4"
- For 2" narrow stile glass doors specify suffix V50xNS
- Optional Sex Nuts or Security Torx Screws available

Dimensions



Riser Diagram



Listings and Approvals



UL Listed Panic Hardware



ULC 97, Standard 7-2 and UL10B/UL10C for positive pressure



UL Listed Fire Exit Hardware for 3 hours, maximum



Meets NFPA 80 & 101 for Life Safety



Meets ADA requirements



California State Fire Marshall



ANSI/BHMA certified A156.3

Detex Limited Warranty

10 Year Mechanical/3 Year Electrical Limited Manufacturer's Warranty

For detailed fire listings, visit www.detex.com/PROVEN

Where Trust is Built™
DETEX®
Life Safety, Security and Security Assurance

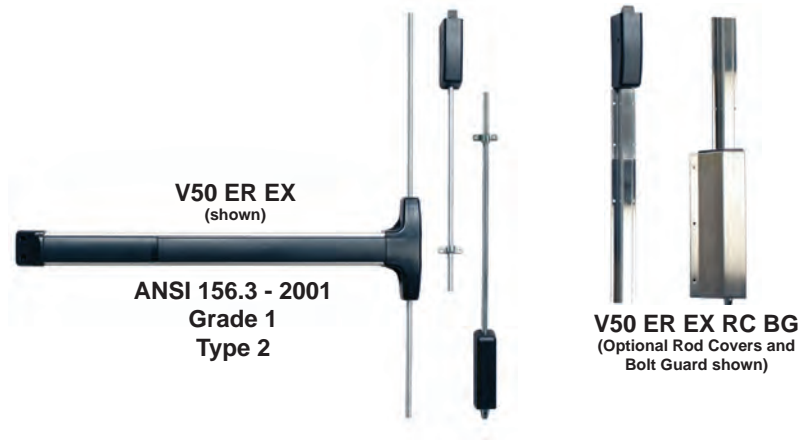
Detex Corporation
 302 Detex Drive
 New Braunfels, Texas 78130-3045 USA
 PH. (830) 629-2900
 (800) 729-3839
 FAX (800) 653-3839
<http://www.detex.com>
 USA Sales:
marketing@detex.com
 International Sales:
export@detex.com

 Cancer & Reproductive Harm - www.detex.com/prop65

VALUE SERIES®

Electric Latch Retraction Panic Device with Request to Exit Switch (V50 ER EX / V51 ER EX)

The **Electric Latch Retraction (V50 ER EX / V51 ER EX)** exit device option is designed for entrance and exit doors with panic or fire exit hardware where remote unlocking, remote dogging, access control or automatic door operator is desired.



Benefits

- Durable design provides years of trouble free protection, saving on replacement costs
- Fits almost any door in any décor
- Simultaneous latch/rod and pushpad retraction provides smooth surface with no catch points
- Patented mounting plate and strike locator replaces paper templates
- Provides a means for remote dogging and lockdown
- Fast and easy installation saves time and money
- Angled end cap deflects damage away from device

Features

- Continuous duty motor with no solenoid
- Switches to monitor pushpad
- Long term dogging capability
- Momentary or maintained retraction of rods and pushpad
- Requires 81-800, 82-800 or 83-800 controller and power supply - sold separately
- FC3 - Flexible 3' conduit loop and end cap connector
- Handed, field reversible, field sizeable
- Stainless steel 3/4" deadlocking, top latch bolt
- Low voltage with no high current in-rush

Mechanical Options

- AL18 - Surface armored loop
- LF - Less Flex Conduit
- EH8 - Five-knuckle energy transfer hinge - 8 wires
- RC - Rod Covers (630 Brushed Stainless)
- FC10 - Flexible 10' Conduit Kit, mounts to device end cap
- For full list of available mechanical options, see V50 Series How To Order page
- BG - Bottom Bolt and 12" ADA ramped cover (630 Brushed Stainless)
- PT5 - Concealed mortise mount power transfer

Electrical Options

- Latch retraction power supply is required and sold separately
- 81-800 - Power Supply for single door
- 82-800 - Power Supply for pairs of doors
- 83-800 - Power Supply of two independent doors

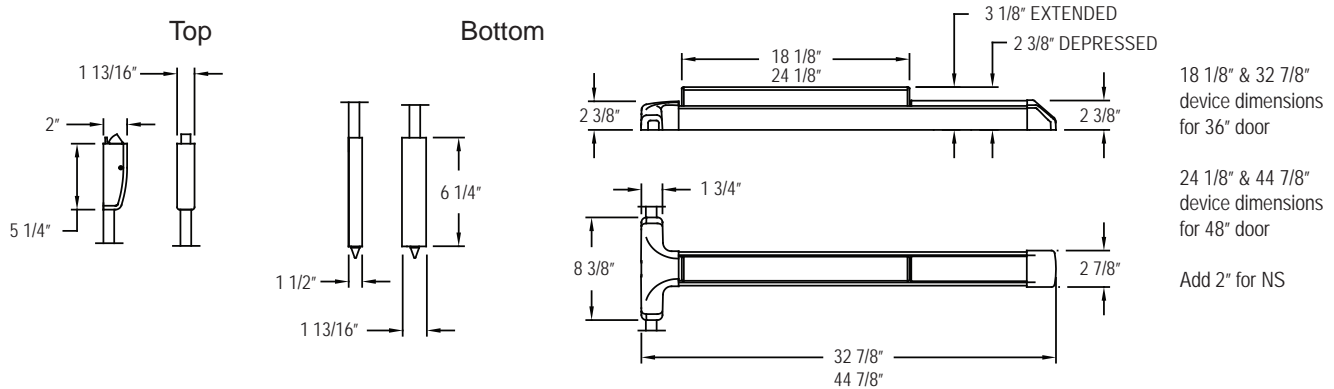
Accessories

- SN1 - Sex Nut Fasteners
- NSK - Narrow Stile Conversion Kit - Converts V50 to fit narrow stile glass door applications
- DX Bolts - Hinge Side Bolts
- Outside trim (see Value Series Trim Options)

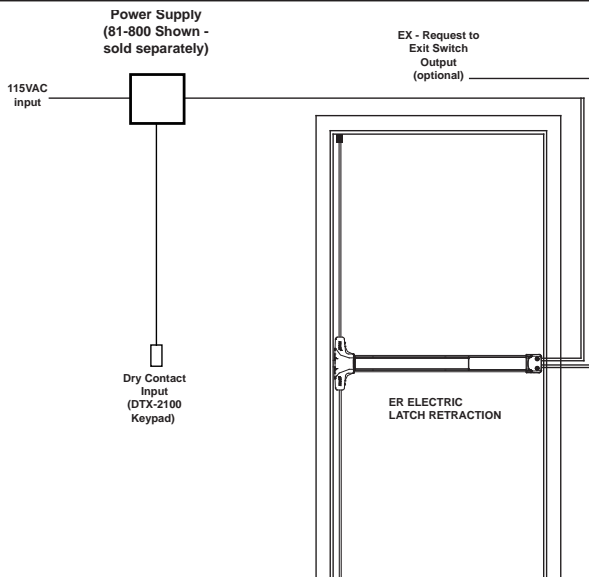
Technical Information

- Voltage - 24VDC
- Door Stile - Fits 2" narrow stile doors - Specify V50xNS
- 2 Amps to retract pushpad and latch
- Door Stile - Fits 3-1/2" stile doors (Std.)
- 200mA to hold pushpad and latch retracted

Dimensions



Riser Diagram



Detex Limited Warranty

10 Year Mechanical/3 year Electrical
 Limited Manufacturer's Warranty

Listings and Approvals



UL Listed Panic Hardware



UL Listed Fire Exit Hardware for 3 hours, maximum 4'x10' single doors and 8'x10' pairs of doors



Meets ADA requirements



ANSI/BHMA certified A156.3



UBC 97, Standard 7-2 and UL10B/UL10C for positive pressure



Meets NFPA 80 & 101 for Life Safety



California State Fire Marshall



Detex Corporation
 302 Detex Drive
 New Braunfels, Texas 78130-3045 USA

PH. (830) 629-2900

(800) 729-3839

FAX (800) 653-3839

http://www.detex.com

USA Sales:

marketing@detex.com

International Sales:

export@detex.com

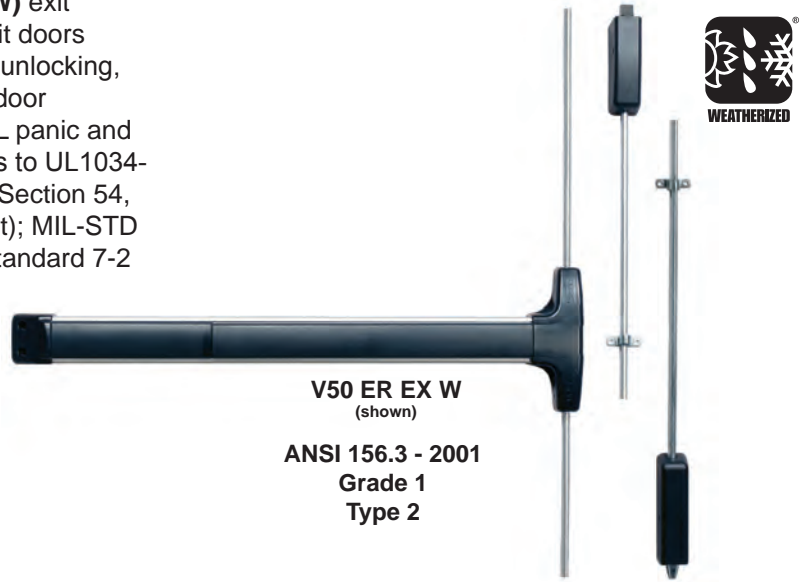
For detailed fire listings, visit www.detex.com/PROVEN

Cancer & Reproductive Harm - www.detex.com/prop65

VALUE SERIES®

Weatherized Electric Latch Retraction Panic Device with Request to Exit Switch (V50 ER EX W / V51 ER EX W)

The **Electric Latch Retraction (V50 ER EX W)** exit device option is designed for entrance and exit doors with panic or fire exit hardware where remote unlocking, remote dogging, access control or automatic door operator is desired. In addition to listing as UL panic and fire exit hardware device, this device conforms to UL1034-34 Temperature Section 34, UL1034-54 Dust Section 54, MIL-STD 810F, Method 506.4 (driving rain test); MIL-STD 810F, Method 509.4 (salt fog test) and UBC standard 7-2 (positive pressure).



V50 ER EX W
(shown)

ANSI 156.3 - 2001
Grade 1
Type 2

Benefits

- Durable design provides years of trouble free protection, saving on replacement costs
- Fits almost any door in any décor
- Simultaneous latch/rod and pushpad retraction provides smooth surface with no catch points
- Fast and easy installation saves time and money
- Provides a means for remote dogging and lockdown
- Angled end cap deflects damage away from device
- Patented mounting plate and strike locator replaces paper templates

Features

- Continuous duty motor with no solenoid
- Momentary or maintained retraction of rods and pushpad
- Long term dogging capability
- Low voltage with no high power in-rush
- Requires 81-800, 82-800 or 83-800 controller and power supply - sold separately
- Switches to monitor pushpad
- Handed, field reversible, field sizeable
- Stainless steel 3/4" deadlocking, top latch bolt
- FC3W - Weatherized 3' Flex Conduit Kit, mounts to device end cap

Mechanical Options

- V51 ER EX W - Top Rod Only
- NS - Fits 2" narrow stile glass door
- FC10W - Weatherized 10' Flex Conduit Kit, mounts to device end cap
- F - 3-Hour Fire Rated
- 96 Surface top strike top (std.)
- For full list of available mechanical options, see V50 Series How To Order page
- 36 - Fits 36" door widths (std.)
- 96B bottom dust proof strike
- 48 - Fits 48" door widths
- Available with 628 aluminum base rail
- 84 - Fits 7' door height (std.)
- Available with 711 black base rail
- 96 - Fits 8' door height
- LF - Less Flex Conduit
- 120 - Fits 10' door height

Electrical Options

- 81-800 - Power Supply for single door
- 82-800 - Power Supply for pair of simultaneous doors
- Latch retraction power supply is required and sold separately
- 83-800 - Power Supply for two independent doors

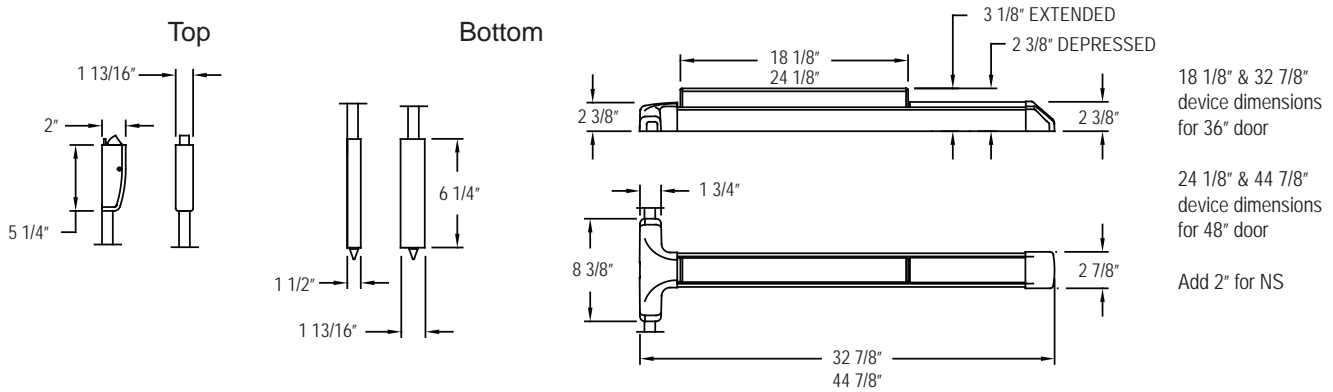
Accessories

- SN1 - Sex Nut Fasteners
- NSK - Narrow Stile Conversion Kit - Converts V50 to fit narrow stile glass door applications
- DX Bolts - Hinge Side Bolts

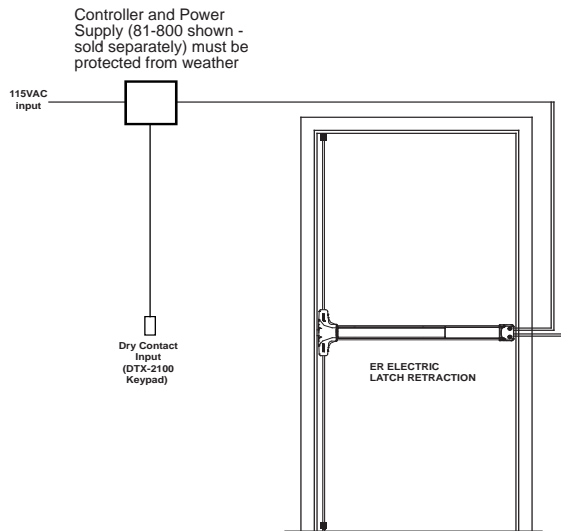
Technical Information

- Voltage - 24VDC
- 2 Amps to retract pushpad and latch
- 200mA to hold pushpad and latch retracted
- For 2" narrow stile glass doors specify V50xNSxW
- Door Stile - Fits 3-1/2" stile doors (Std.)

Dimensions



Riser Diagram



Detex Limited Warranty

10 Year Mechanical/3 year Electrical
Limited Manufacturer's Warranty

Listings and Approvals



UL Listed Panic Hardware



UBC 97, Standard 7-2 and UL10B/UL10C for positive pressure



UL Listed Fire Exit Hardware for 3 hours, maximum 4'x10' single doors and 8'x10' pairs of doors



Meets NFPA 80 & 101 for Life Safety

UL1034-34 Temperature Section 34 [Temperature Range -31°F (-35° C) to 150° F (+66° C)]



California State Fire Marshall

UL1034-54 Dust Section 54



Meets ADA requirements

MIL-STD 810F (G), Method 509.4 (Salt Fog Test)



ANSI/BHMA certified A156.3

MIL-STD 810F (G), Method 506.4 (Driving Rain), Procedure 1

Where Trust is Built™
DETEx®
Life Safety, Security and Security Assurance

For detailed fire listings, visit www.detex.com/PROVEN

Cancer & Reproductive Harm - www.detex.com/prop65

Detex Corporation
302 Detex Drive
New Braunfels, Texas 78130-3045 USA
PH. (830) 629-2900
(800) 729-3839
FAX (800) 653-3839
<http://www.detex.com>
USA Sales:
marketing@detex.com
International Sales:
export@detex.com

VALUE SERIES®

Electric Request to Exit Switching (V50 EX / V51 EX) High Current / Voltage Switching (V50 EXV / V51 EXV)

The V50 EX / V51 EX Electric Request to Exit Switching device, designed for double door applications where electric signaling is required, provides the customer with a means of signaling when the pushpad is depressed. The EX Exit Switching monitors the pushpad and when depressed, will open or close (SPDT) to signal an alarm, send a remote signal to monitor egress, or commence the cycle in a separate delayed egress system.



Benefits

- Priced to be the best value for panic exit hardware
- Provides reliable loss prevention protection 24 hours a day
- Rugged, durable design reduces maintenance
- Integrates with other loss prevention equipment
- Large, steel reinforced pushpad with black ABS cover resists damage
- Fast and easy installation saves time and money
- Fits almost any door in any décor
- Patented mounting plate and strike locator replaces paper templates
- Angled end cap deflects damage away from device

Features

- Stainless steel 3/4" deadlocking, top latch bolt
- Bottom drop bolt, 5/8" dia. x 5-5/8" long secures into strike plate
- Tamper-resistant switching electronically monitors pushpad
- Tamper resistant housing protects internal switching, preventing manipulation
- Standard SPDT (Form C) switch with three wires, Yellow (N/O), Brown (Common) & Green (N/C), creating either a Normally Open or Closed contact
- Switch capable of signaling at low currents for integration to a central control station
- Handed, field reversible
- To shunt power to an electromagnetic lock, specify EXV
- FC3 - Flexible 3' Conduit Kit, mounts to device end cap

Mechanical Options

- CD - Cylinder Dogging
- HD - Hex Dogging (Std.)
- LD - Less Dogging
- F - 3-Hour Fire Rated
- 36 - Fits 36" Door Width (Std.)
- 48 - Fits 48" Door Width
- 84 - Fits 7' Door Height (Std.)
- 96 - Fits 8' Door Height
- 120 - Fits 10' Door Height
- 96 - Top Surface Strike (Std.)
- 96B - Bottom dustproof strike
- RC - Rod Covers (630 Brushed Stainless)
- BG - Bottom bolt and 12" ADA ramped cover (630 Brushed Stainless)
- NS - Fits 2" Narrow stile glass door
- Available with 628 Base Rail Extrusion (Std.)
- Available with 711 Base Rail Extrusion
- RWE - Red pushpad with white lettering
- LF - Less Flex Conduit
- FC10 - Flexible 10' Flex Conduit Kit, mounts to device end cap
- PT5 - Concealed mortise mount power transfer
- EH8 - Five-knuckle energy transfer hinge - 8 wires

For full list of available mechanical options, see V50 Series How To Order page

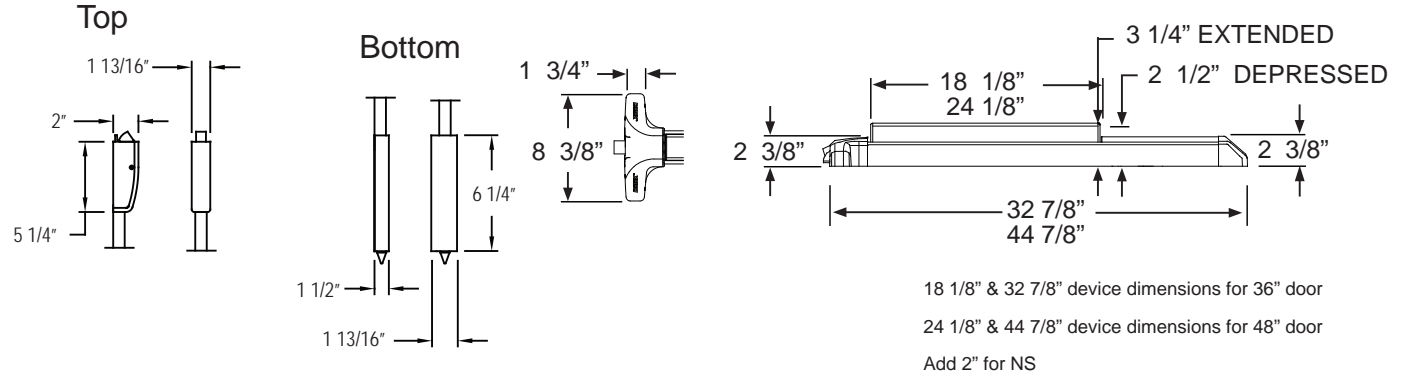
Accessories

- SN1 - Sex Nut Fasteners
- SSK3 - Security Screw Kit
- Outside Trim (see Value Series Trim Options)
- NSK - Narrow Stile Conversion Kit - Converts V50 to fit narrow stile glass door applications
- GB - Glass Bead Kits

Technical Information

- Door Types - Wood, Hollow Metal, Fiberglass or Aluminum
- Door Stile - Fits 3-1/2" stile doors (Std.)
- Machine and Self Drilling Screws (Std.)
- Door Thickness - Fits standard 1-3/4" - 2-1/4"
- For 2" narrow stile glass doors specify suffix V50xNS
- Optional Sex Nuts or Security Torx Screws available

Dimensions



Listings and Approvals



UL Listed Panic Hardware



ULC 97, Standard 7-2 and UL10B/UL10C for positive pressure



UL Listed Fire Exit Hardware for 3 hours, maximum 4'x10' single doors and 8'x10' pairs of doors



Meets NFPA 80 & 101 for Life Safety



Meets ADA requirements



California State Fire Marshall
 4140-0127:105 and
 3725-0127:108



ANSI/BHMA certified A156.3

Detex Limited Warranty

10 Year Mechanical/3 Year Electrical Limited Manufacturer's Warranty

For detailed fire listings, visit www.detex.com/PROVEN



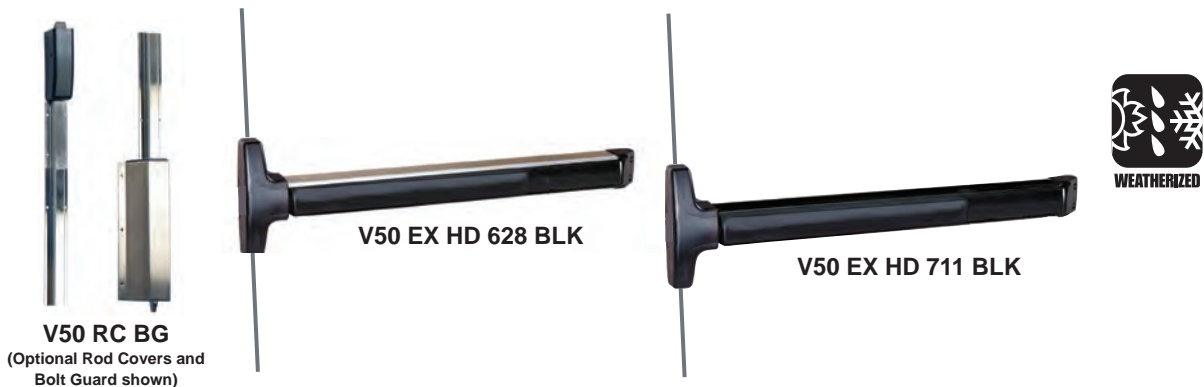
Detex Corporation
 302 Detex Drive
 New Braunfels, Texas 78130-3045 USA
 PH. (830) 629-2900
 (800) 729-3839
 FAX (800) 653-3839
<http://www.detex.com>
 USA Sales:
marketing@detex.com
 International Sales:
export@detex.com

Cancer & Reproductive Harm - www.detex.com/prop65

VALUE SERIES®

Electric Request to Exit Weatherized Switching Weatherized Switching (V50 EX W / V51 EX W) High Current / Voltage Weatherized Switching (V50 EXV W / V51 EX V)

The V50 EX W / V51 EX W Electric Request to Exit Switching device, designed for double outdoor gates and other wet environments, provides the customer with a means of signaling when the pushpad is depressed. The EX Exit Switching monitors the pushpad and when depressed, will open or close (SPDT) to signal an alarm, send a remote signal to monitor egress, or commence the cycle in a separate delayed egress system.



Benefits

- Priced to be the best value for panic exit hardware
- Provides reliable loss prevention protection 24 hours a day
- Rugged, durable design reduces maintenance
- Integrates with other loss prevention equipment
- Large, steel reinforced pushpad with black ABS cover resists damage
- Fast and easy installation saves time and money
- Patented mounting plate and strike locator replaces paper templates
- Angled end cap deflects damage away from device

Features

- Stainless steel 3/4" deadlocking, top latch bolt
- Bottom drop bolt, 5/8" dia. x 5-5/8" long secures into strike plate
- Tamper-resistant housing protects internal switching, preventing manipulation
- Handed, field reversible
- Tamper-resistant switching electronically monitors pushpad
- Standard SPDT (Form C) switch with three wires, Yellow (N/O), Brown (Common) & Green (N/C), creating either a Normally Open or Closed contact
- Switch capable of signaling at low currents for integration to a central control station
- To shunt power to an electromagnetic lock, specify EXV W
- FC3W - Weatherized 3' Flex Conduit Kit, mounts to device end cap

Mechanical Options

- V51 - Top Rod Only
- CD - Cylinder Dogging
- HD - Hex Dogging (Std.)
- LD - Less Dogging
- F - 3-Hour Fire Rated
- 36 - Fits 36" Door Width (Std.)
- 48 - Fits 48" Door Width
- 84 - Fits 7' Door Height (Std.)
- 96 - Fits 8' Door Height
- 120 - Fits 10' Door Height
- 96 - Top Surface Strike (Std.)
- 96B - Bottom dustproof strike
- RC - Rod Covers (630 Brushed Stainless)
- BG - Bottom bolt and 12" ADA ramped cover (630 Brushed Stainless)
- NS - Fits 2" Narrow stile glass door
- Available with 628 Base Rail Extrusion (Std.)
- Available with 711 Base Rail Extrusion
- RWE - Red pushpad with white lettering
- LF - Less Flex Conduit
- FC10W - Weatherized 10' Flex Conduit Kit, mounts to device end cap

For full list of available mechanical options, see V50 Series How To Order page

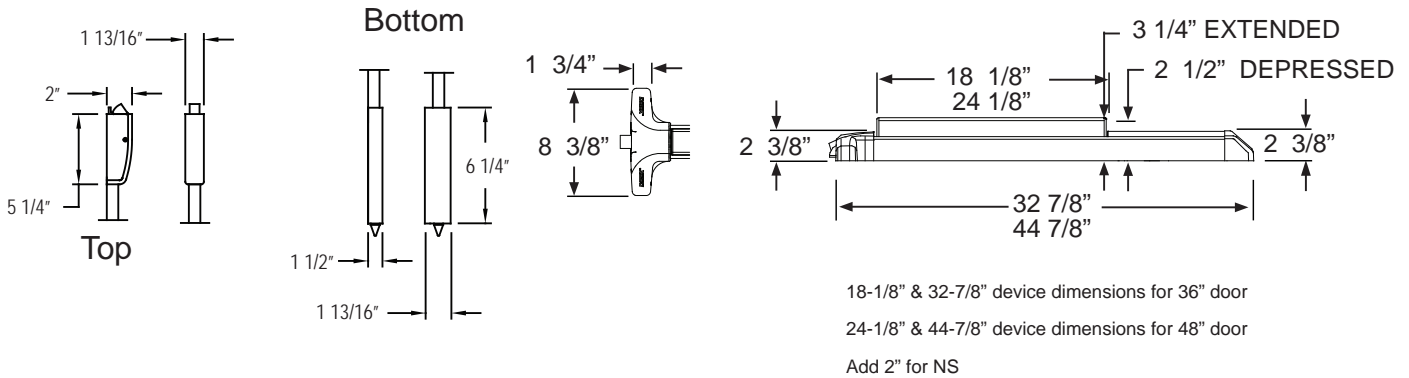
Accessories

- SN1 - Sex Nut Fasteners
- SSK3 - Security Screw Kit
- Outside Trim (see Value Series Trim Options)
- NSK - Narrow Stile Conversion Kit - Converts V50 to fit narrow stile glass door applications
- GB - Glass Bead Kits

Technical Information

- Door Types - Wood, Hollow Metal, Fiberglass or Aluminum
- Door Stile - Fits 3-1/2" stile doors (Std.)
- Machine and Self Drilling Screws (Std.)
- Door Thickness - Fits standard 1-3/4" - 2-1/4"
- For 2" narrow stile glass doors specify suffix V50xNS
- Optional Sex Nuts or Security Torx Screws available

Dimensions



Listings and Approvals



UL Listed Panic Hardware



UBC 97, Standard 7-2 and UL10B/UL10C for positive pressure



UL Listed Fire Exit Hardware for 3 hours, maximum 4'x10' single doors and pairs of 4'x8'



Meets NFPA 80 & 101 for Life Safety



Meets ADA requirements



California State Fire Marshall



ANSI/BHMA certified A156.3

Detex Limited Warranty

10 Year Mechanical/3 Year Electrical Limited Manufacturer's Warranty

For detailed fire listings, visit www.detex.com/PROVEN

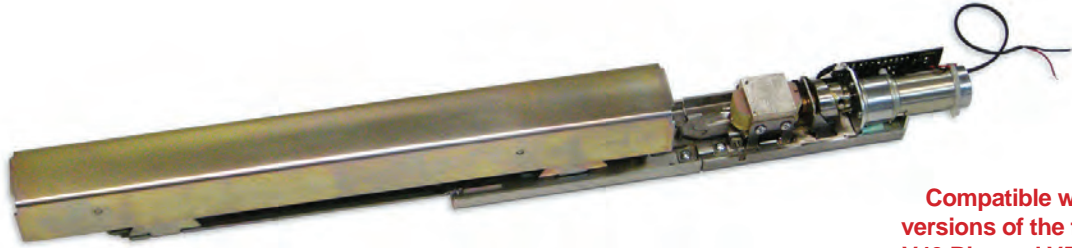


Detex Corporation
 302 Detex Drive
 New Braunfels, Texas 78130-3045 USA
 PH. (830) 629-2900
 (800) 729-3839
 FAX (800) 653-3839
<http://www.detex.com>
 USA Sales:
marketing@detex.com
 International Sales:
export@detex.com

Cancer & Reproductive Harm - www.detex.com/prop65

Electric Latch Retraction Conversion Kit (VS-ERK)

The Electric Latch Retraction Conversion Kit (ERK) is designed for converting a non-electrical device into a latch retraction function where remote unlocking or remote dogging is desired. A Request to Exit switch, activated by the pushpad, is included in every ERK conversion kit.



Black Value Series pushpad wrap included

Compatible with 3-foot and 4-foot versions of the following exit devices:
V40 Rim and V50/V51 Surface Vertical Rod Devices

Benefits

- Compatible with any type of access control system
- Provides a means for remote dogging and lockdown
- Simple catalog number to remember when ordering VS-ERK3 (3 foot) or VS-ERK4 (4 foot)
- Fast and easy conversion saves time and money by converting 3-foot and 4-foot mechanical device to electric latch retraction
- Simultaneous pushpad and latch bolt retraction provides smooth surface with no catch points
- Works with any manufacturer's power supply (24VDC filtered and regulated @1A)
- Silencer ensures quiet relatching / relocking
- Quiet motor helps reduce noise

Features

- Continuous duty motor for quiet operation - no solenoid
- Momentary or maintained latch and pushpad retraction
- Low voltage with no high current in-rush
- REX switch standard included with each device (EX)
- Simultaneous latch and pushpad retraction
- Use with power supplies that can provide a filtered and regulated 24VDC at 1A continuous
- Long term dogging capability

Mechanical Options

- F - Fire Rated
 - VS-ERK3 - Fits 36" Door Width
 - FC3 - Flexible 3' Conduit Kit, mounts to device end cap
 - H - Hurricane Rated
 - VS-ERK4 - Fits 48" Door Width
 - FC10 - Flexible 10' Conduit Kit, mounts to device end cap
 - AL18 - Surface Armored Loop (door/frame mounted)
 - EH8 - Five-knuckle energy transfer hinge - 8 wires
- For full list of available mechanical options, see individual device how to order page

Electrical Options

- Latch Retraction power supplies are required and sold separately
- 81-800 - Power Supply for single door
- 82-800 - Power Supply for pair of doors
- 83-800 - Power Supply for two independent doors
- LX - Latch bolt Signaling (specify VS-ERK3 LX or VS-ERK4 LX)

NOTE: Latch Retraction requires the use of a power supply with filtered and regulated 24VDC @ 1A minimum

Technical Information

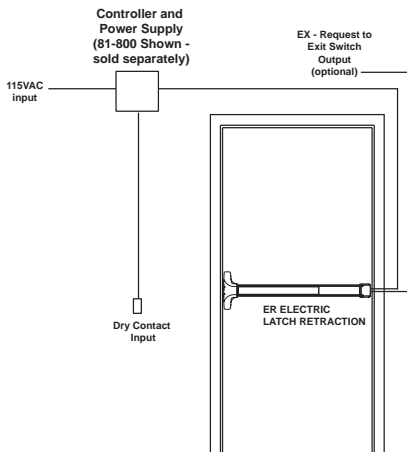
- Voltage 24VDC
- Minimum wire gauge for 24V ER Operation (These are minimum requirements - larger gauge wire is acceptable)
 - Up to 50 feet: 20 gauge
 - 51-400 feet: 18 gauge
 - 401-750 feet: 16 gauge
 - 751-1000 feet: 14 gauge
- 1A to retract pushpad and latch
- 0.18A to hold pushpad and latch retracted
- 1A power supply - 24VDC Filtered and Regulated Power Supply
 - 1 ER Device
 - 2 ER Devices if devices are staggered by 300mSec
- 2A power supply - 24VDC Filtered and Regulated Power Supply
 - 2 ER Devices
 - 4 ER Devices if devices are staggered by 300mSec

Device Finishes

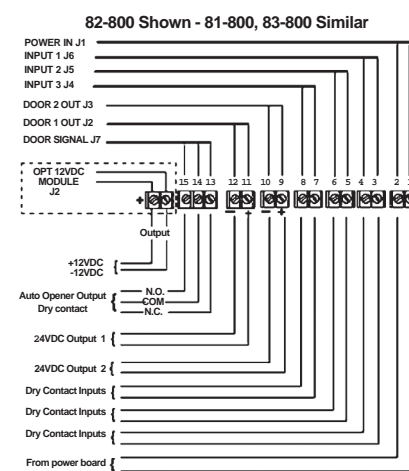
628 - Aluminum Satin

711 - Anodized Aluminum, Black

Riser Diagram



Riser Diagram



Listings and Approvals

See individual device (i.e. V40 Series) catalog page for fire and panic listings and windstorm ratings/ approvals

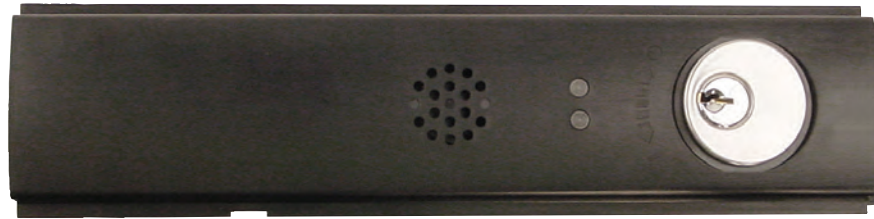
Detex Limited Warranty

10 Year Mechanical/3 Year Electrical Limited Manufacturer's Warranty



Detex Corporation
 302 Detex Drive
 New Braunfels, Texas 78130-3045 USA
 PH. (830) 629-2900
 (800) 729-3839
 FAX (800) 653-3839
<http://www.detex.com>
 USA Sales:
marketing@detex.com
 International Sales:
export@detex.com

Cancer & Reproductive Harm - www.detex.com/prop65



List of Accessories

Slide-In Filler Kits

Strikes

Through Bolt Mounting Plate

Cylinders

Cylinder Collars

Cylinder Bracket Kit

Sex Nut Kits

Tools

Security Screw Kits

Narrow Stile Door Kits

Glass Bead Kits

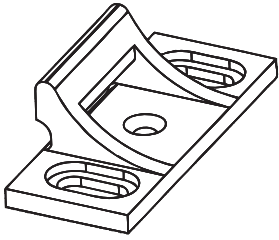
Battery Eliminator

VALUE SERIES®

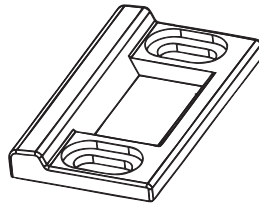
Accessories

Strikes

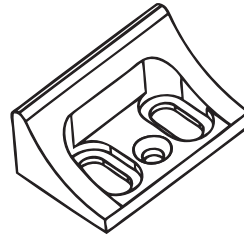
All required strikes are provided with exit devices. Replacement strikes are available as follows:



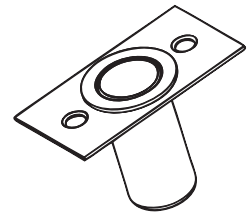
99 Surface - non-roller strike for V40 Series Rim Devices



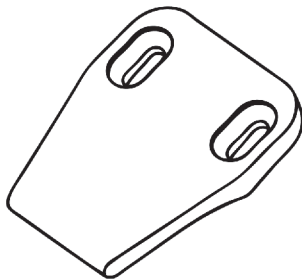
98 Semi-Mortise - applied strike for V40NS Series Rim Devices



96 Top Surface - non-roller top strike for V50/51 Series Surface Vertical Rod Devices

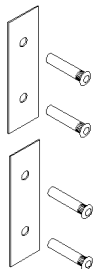


96 Bottom Dust Proof Strike - for V50 Series Surface Vertical Rod Devices



94 Double Door Strike for V40 Series Rim Devices

Through Bolt Mounting Plate Kit for SVR



TMP1 - Through Bolt Mounting Plate Kit for use when replacing surface vertical rods on doors that are damaged or to cover existing exterior holes from previous device.

Kit is standard with two 630 finish plates and four 1/4-20 sex bolts. Contact factory for other finishes.

Cylinders



MC65 Mortise Cylinder - 1-1/8" 6-pin, keyed 5-pin. Available keyed alike or keyed differently. Finishes available: 605, 606, 612, 613, 626



RC65 Rim Cylinder - 6-pin, keyed 5-pin. Available keyed alike or keyed differently. Finishes available: 605, 606, 612, 613, 626



IC7 Interchangeable core cylinder housing - 7-pin, factory installed

Security Screw Kits

Contains an assortment of screw sizes and types for securing covers in place

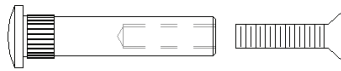
SSK3 - Security Screw Kit contains all screws and driver bits to secure the cover, end cap and the strike of the exit device.

Additional Security Driver Tips:

TT-10 - Driver tip for 6-32 Undercut FH screws

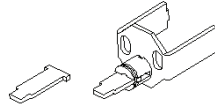
TT-27 - Driver tip for 1/4-20 and #14 screws

Sex Nut Kit



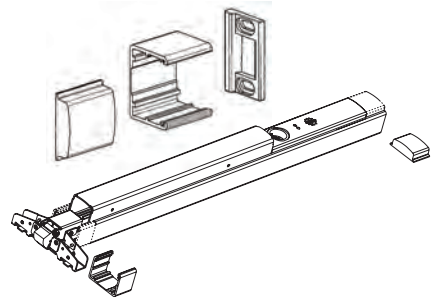
SN1 - Sex Nut Kit 1/4-20 — 2 per package

Cylinder Bracket Kit



CBK - Cylinder Bracket Kit consists of bracket and adjustable tailpiece assembly for rim cylinder used with other manufacturer's outside trim

Narrow Stile Door Kits



NSK - Narrow Stile Door Kit converts standard Value Series panic device into narrow stile panic device. Required when Value Series exit devices are applied to 36" and 48" glass doors with minimum 2" stiles.

Cylinder Collars

Cylinder Collars for 5 and 6 pin cylinders are provided with all outside trim.



CCS 7/16" Short Cylinder Collar - Cylinder collar for 5 and 6 pin cylinders. Finishes available: 605, 606, 612, 613, 625, 626



CCL 11/16" Long Cylinder Collar - Cylinder collar for 7 pin interchangeable core cylinders. Finishes available: 605, 606, 611, 612, 613, 625, 626

Tools



HDK - Hex Dogging Key - Heavy-duty with overmolded ABS, dogging key is ergonomically designed to resist repetitive motion injuries.

Rod Cover (V50/51 Only)



RC - Rod Covers (630 Stainless Steel)

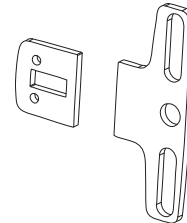
(Top Rod cover shown)

Bolt Guard (V50 Only)



BG - Bottom Bolt Guard - 12" ADA ramped cover (630 Stainless Steel)

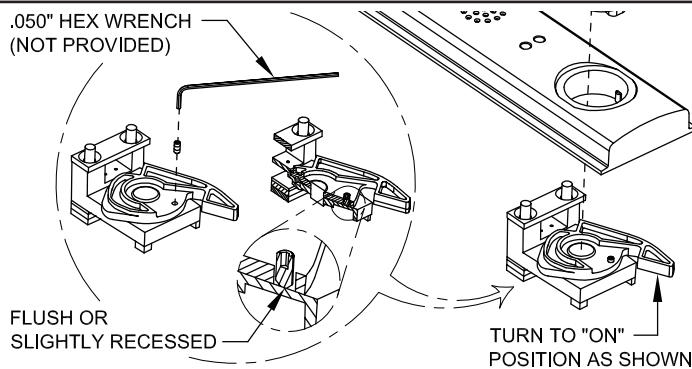
Glass Bead Kits



For use on doors with raised glass beads. Each kit contains one 1/4" shim set. Specify Kit number

Kit Number **GB15** For use with: V40 Series

Key Stop Kit (Set Screw) Alarm always armed when key is removed



For weatherized gate accessories, see gate plate page

Cancer & Reproductive Harm - www.detex.com/prop65

Where Trust is Built™
DETEX®
Life Safety, Security and Security Assurance

Detex Corporation
302 Detex Drive
New Braunfels, Texas 78130-3045 USA
PH. (830) 629-2900
(800) 729-3839
FAX (800) 653-3839
<http://www.detex.com>
USA Sales:
marketing@detex.com
International Sales:
export@detex.com

VALUE SERIES®

Accessories Slide-In Filler Kits

Slide-In Filler Kits allow changes or additions to the device after initial installation. Specify device series and size.



SIF-VS-EB - Slide-In Filler Kit with 100-plus decibel directional piezo alarm provides reliable security and instantaneous alarm. Requires mortise cylinder with standard Yale cam (sold separately).



SIF-VS-EBxW - Slide-In Filler Kit provides weatherized alarm for outdoor or exterior door applications. Includes both remote bypass and remote signaling capabilities. Requires mortise cylinder with standard Yale cam (sold separately).



SIF-VS-EX - The EX Slide-In Filler provides a normally-closed or normally-open contact that can be used for a variety of different uses. Available in hex dogging (shown), cylinder dogging or less dogging.



SIF-VS-EX-W - The EX-W Slide-In Filler provides a normally-closed or normally-open contact that can be used for a variety of different uses in moist, outdoor or other such applications.



SIF-VS-HD - Hex Key Dogging Slide-In Filler Kit provides 1/8 turn dogging and includes dogging key with over-molded, ergonomic grip.




SIF-VS-CD - Cylinder Dogging Slide-In Filler Kit provides 1/8 turn dogging. Requires mortise cylinder with standard Yale cam (sold separately)



SIF-VS-LD - Less Dogging Slide-In Filler can be used on devices manufactured with dogging when this feature may no longer be required.

Where Trust is Built™
DETEx®
Life Safety, Security and Security Assurance

Detex Corporation
302 Detex Drive
New Braunfels, Texas 78130-3045 USA
PH. (830) 629-2900
(800) 729-3839
FAX (800) 653-3839
<http://www.detex.com>
USA Sales:
marketing@detex.com
International Sales:
export@detex.com

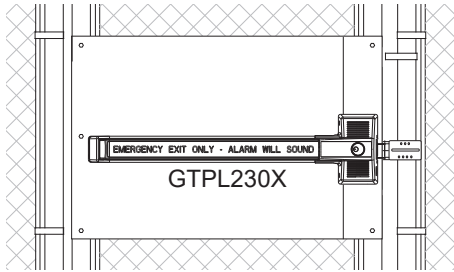
 Cancer & Reproductive Harm - www.detex.com/prop65

Weatherized Accessories

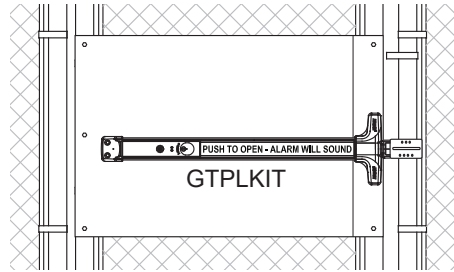
Gate Plate & Accessories

The mounting plate adjusts to fit different gate sizes. The adjustable receiving latch makes installation easy. The lockbox makes it possible to gain access from outside the gate by using a key. All accessories are available in silver or black finish.

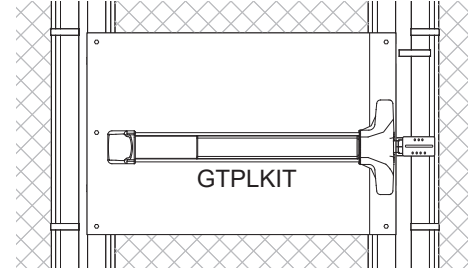
Push Side



ECL-230X-W shown

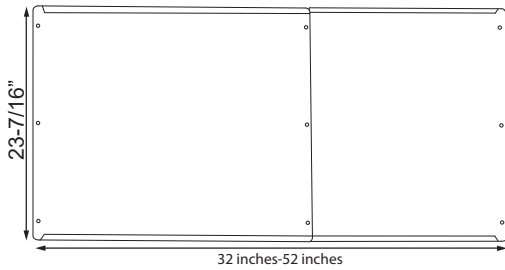


Value Series V40xEBxW shown



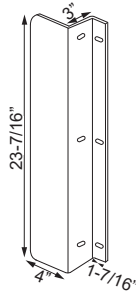
Advantex 10xW Series shown

GTPL Adjustable Gate Plate



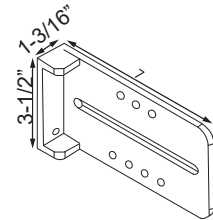
- Fits Single Gates 32" - 52" wide
- Adjustable to fit wide variety of single gates
- Sleeved together
- Fits square or round gate frames

GTPLGRD Gate Latch Protector



- Provides added security
- For use on existing gate plate application where gap is larger than 1"

GTSTKBKT Strike Latch Receiver Bracket



- Includes stainless steel U-bolt, nuts, tek-screws
- 1/4" steel with powder-coat finish
- Doubles as gate stop
- Accommodates 99 strike for Advantex 10/40 Series and V40 Series

GTPLKIT

For Advantex and Value Series applications.

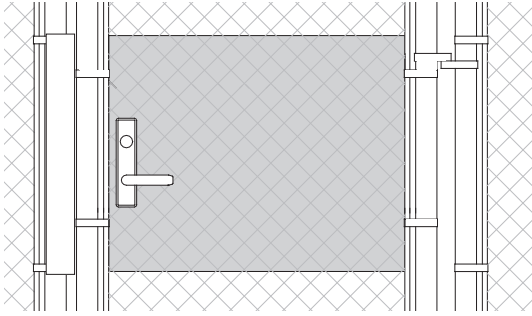
The kit includes:
 GTPL - Adjustable Gate Plate
 GTPLGRD - Gate Latch Protector
 GTSTKBKT - Strike Latch Receiver Bracket

GTPL230X

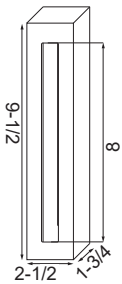
For ECL-230X applications.

The kit includes:
 GTPL - Adjustable Gate Plate
 GTPLGRD - Gate Latch Protector
 GTSTKBKT - Strike Latch Receiver Bracket
 104345 - Adapter Plate

08GSN

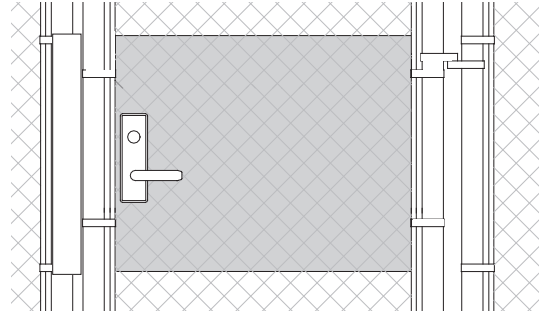


Spacer for Narrow Lever Trim

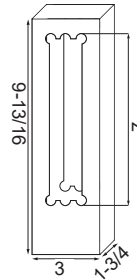


- For use with 02/08/09/14DN trims
- Narrow lever trim sold separately (specify handing)
- Extends for use with Detex spring-loaded tailpiece
- For use with Advantex and Value Series devices

08GS

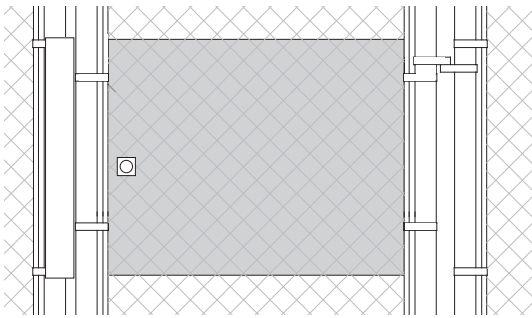


Spacer for Wide Lever Trim

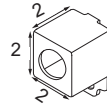


- For use with 02/08/09/14D trims
- Wide lever trim sold separately (specify handing)
- Extends for use with Detex spring-loaded tailpiece
- For use with Advantex and Value Series devices

03GS

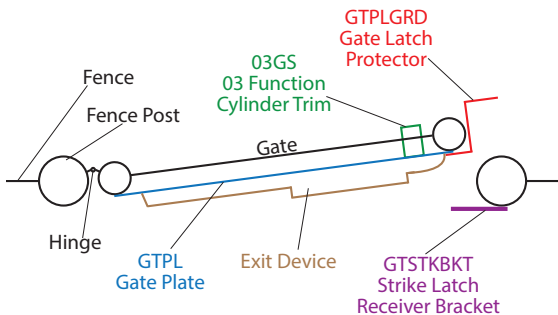


03 Function Cylinder Trim

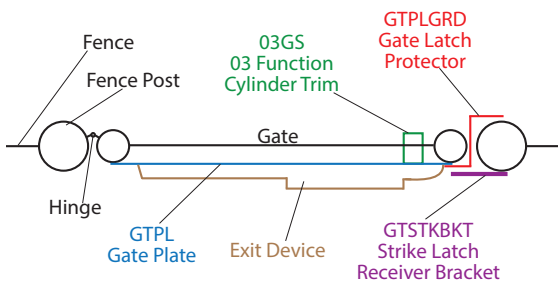


- Optional accessory
- For use with rim cylinder on gates
- Rim cylinder required (sold separately)
- For use with Advantex, Value Series and ECL devices

Overhead View - Gate Open



Overhead View - Gate Closed



Finishes

- Silver (Std.)
- Black (Specify -BLK)

Where Trust is Built™
DETEx®
 Life Safety, Security and Security Assurance

Detex Corporation
 302 Detex Drive
 New Braunfels, Texas 78130-3045 USA
 PH. (830) 629-2900
 (800) 729-3839
 FAX (800) 653-3839
 http://www.detex.com
 USA Sales:
 marketing@detex.com
 International Sales:
 export@detex.com

⚠ Cancer & Reproductive Harm - www.detex.com/prop65

EXIT CONTROL LOCKS ACCESSORY

BE-961

Battery Eliminator

The BE-961 Battery Eliminator is designed to power security devices such as the Detex ECL-230D, ECL-230X Series, ECL-600 battery powered series exit control locks and V40 alarmed rim exit device without reliance on batteries. Converts AC power to DC for supplying battery-operated devices.



BE-961-1

BE-961-2

Benefits

- Powers security devices without reliance on batteries
- Eliminating the need to annually change 9 volt batteries, saves money, prevents unnecessary battery disposal and creates a greener process
- May be installed on the wall adjacent to the protected door quickly and easily
- 10' Flexible armored cable connects the battery eliminator to the security device without interfering with door use
- LED provides visual status of power
- For extra security, the connecting cable may be concealed in the door using a continuous electric hinge

Features

- Available Battery Eliminator Power Supplies:
 - BE-961-1** = 120VAC transformer to 12VAC, 12VAC to 9VDC circuit board
Note: Powers up to three 9V battery devices
 - BE-961-2** = 120VAC transformer to 12VAC, 12VAC to 9VDC circuit board includes secure power/supervisory loop (cutting 9V power will sound BE-961-2 alarm)
Note: For use with ECL products **only**
 - BE-961-5** = Converts 12VAC to 9VDC
 - BE-961-6** = Converts 24VAC to 9VDC
Note: Conduit and transformer for BE-961-5 and BE-961-6 sold separately
- The BE-961-2 includes an internal alarm which sounds at 95dB if the secure power feed wires are cut or when the ECL unit sounds (for use with ECL products only)
- 106595-5 - Battery Eliminator in NEMA enclosure - Suitable for outdoor use - Used to power V40 EB W, 230X-W, EAX-500W - Converts 24VAC to 9VDC
Dimensions: 10-1/4"x13-1/2"x6"

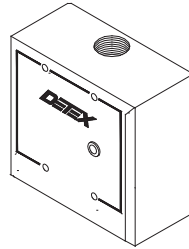


Technical Information

- 9VDC outputs, jumper selectable to the security device
- BE-961-1 and BE-961-2 come with an external transformer
- Line input transient suppression is a standard feature
- BE-961-2 is not for use with EAX and V40 product lines
- Current Output Capacity - .5 Amp

Dimensions

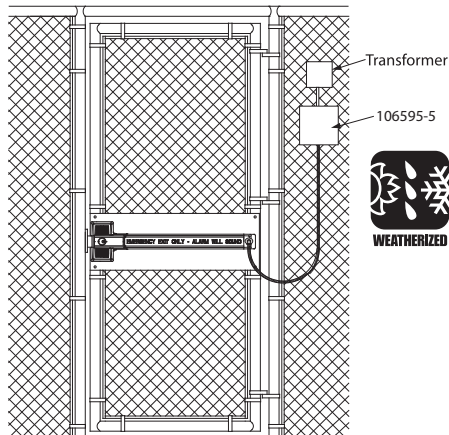
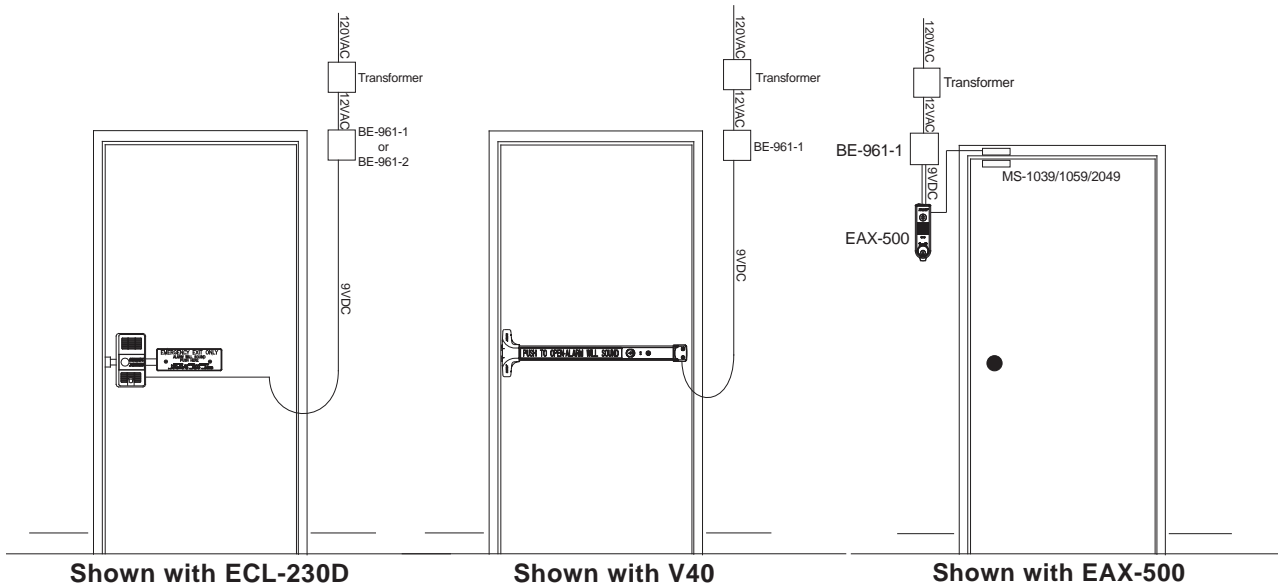
- 4-5/8" wide x 4-5/8" long x 2" deep
- Standard cast aluminum case



Detex Limited Warranty

3 Year Limited Manufacturer's Warranty

Riser Diagram



Shown with ECL-230X-W

Where Trust is Built™
DETEX®
 Life Safety, Security and Security Assurance

Detex Corporation
 302 Detex Drive
 New Braunfels, Texas 78130-3045 USA
 PH. (830) 629-2900
 (800) 729-3839
 FAX (800) 653-3839
<http://www.detex.com>
 USA Sales:
marketing@detex.com
 International Sales:
export@detex.com

⚠ Cancer & Reproductive Harm - www.detex.com/prop65

Technical Information Contents

Fasteners

Security Screws

Sex Bolts

Handing

Minimum Door Widths Chart

Installation

Cylinder Requirements

Mortise Cylinder Lengths

Cylinder Collars

Narrow Stile Door Kits

Fasteners

Door manufacturer should be consulted for proper mounting fasteners. #14 x 1-1/4 PPH sheet metal screws and 1/4-20x 1" PHP machine screws are furnished standard on all devices and strikes. Fasteners of proper length for door thickness are furnished with devices where trims are through bolted. C and CN Pull trims are furnished with 1/4-20 through bolt for attaching bottom of pull handle.

Security Screws

For added security, pin head screws are available.

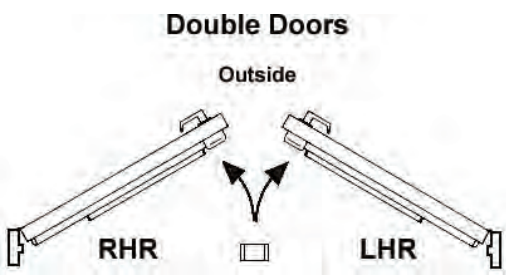
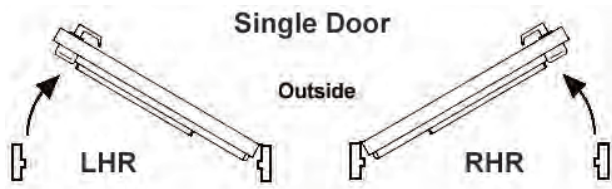
- SSK3 Security Screw Kit for Rim Devices Contains:
- 2 MS 10/32, FH, Undercut
 - 4 MS 6/32 FH
 - 2 MS 1/4-20 BH
 - 2 SMS #14 x 1" BH Type AB
 - 4 Tamper Bits required for above

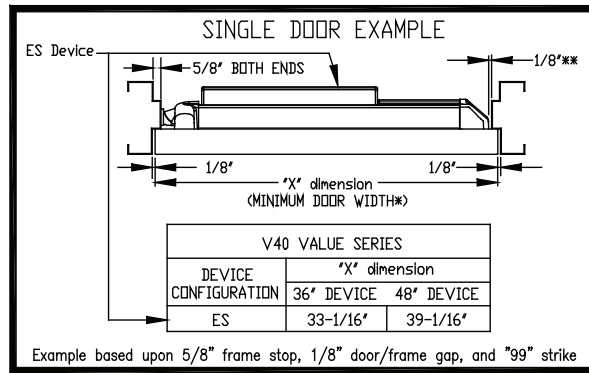
Sex Bolts

If sex bolts are required, see chart below for quantity required for each device.
 SN1 kit contains 2 each 1/4-20 bolts. Specify finish.

Function or Trim	Rim Devices
	V40 Series
01	4
02, 03	2
08, 09 & 14	2

Handing





** DOOR SHOWN WITH 1/8" CLEARANCE FOR END CAP, SOME WEATHERSTRIP REQUIRES ADDITIONAL CLEARANCE. ADDITIONAL CLEARANCE WILL REQUIRE WIDER DOORS.

Charts are based upon 5/8" frame stop, 1/8" door/frame end gap, and "99" strike standard

Minimum Door Widths/Cut Down Chart

V40 VALUE SERIES - STANDARD SILE RIM (99 STRIKE)		
DEVICE CONFIGURATION	"X" dimension	
	3-0 DEVICE	4-0 DEVICE
EB	33"	39"
EH	33"	39"
EI	33"	39"
EM	34-3/4"	40-3/4"
EE	34-3/4"	40-3/4"
ED	34-1/8"	40-1/8"
ER	34-3/4"	40-3/4"
ES	33"	39"
EX	29"	35"
CD	29"	35"
HD	29"	35"
LD	28-3/8"	34-3/8"

- 1) For single door frames with no stop, subtract 1-1/4" from minimum door width
- 2) For Mullion application add 7/16" to each door width
- 3) Standard strike for V40 Series is 99 strike, backset is 2-1/4"
- 4) Standard strike for V40NS Series is 98 strike with no stop, backset is 1-1/8"

Minimum Door Widths Cont'd

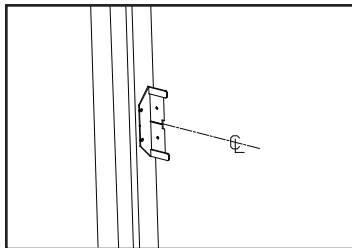
V50 VALUE SERIES - SVR WITH 5/8" STOPS, BACKSET = 1-1/8"		
DEVICE CONFIGURATION	"X" dimension	
	3-0 DEVICE	4-0 DEVICE
EB	32"	38"
EH	32"	38"
EI	32"	38"
EE	33-3/4"	39-3/4"
ED	33-1/8"	39-1/8"
ER	33-3/4"	39-3/4"
ES	32"	38"
EX	28"	34"
CD	28"	34"
HD	28"	34"
LD	27-3/8"	33-3/8"

1) For double door frames without stops, subtract 5/8" from minimum door width

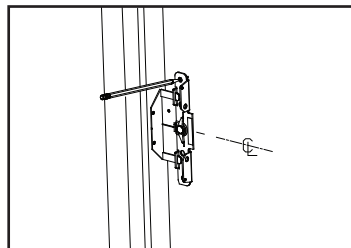
Installation

The patented Value Series mounting plate and strike locator system allows:

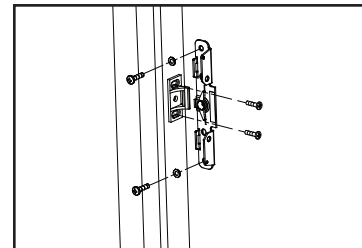
- Quick and easy installation by one person
- Accurate backset every time
- No paper templates
- Square up to door and frame made easy



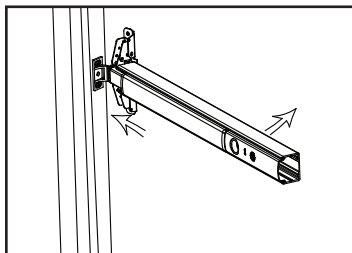
Step 1



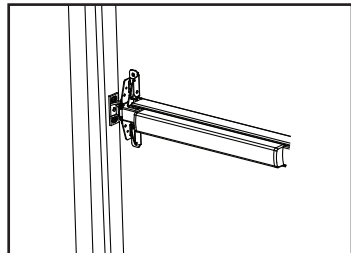
Step 2



Step 3



Step 4



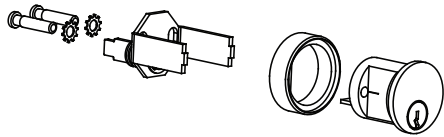
Step 5

Cylinder Requirements

Product	Rim Cylinder	Mortise Cylinder All Use Standard (Yale) Cam
Cylinder Dogging		X
Electrified Options EB, EI, EM		X
All 03 Function Trims	X	
All 08 & 09 Function Trims		X

03 Function Detail

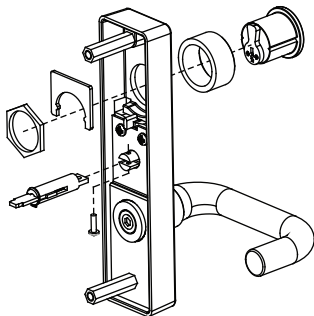
All Value Series 03 Function outside trims are supplied with a self-adjusting tailpiece that correctly fits into the cam on the mounting plate.



Tailpiece Used	Door Thickness
	1-3/4" and 2" Thick Doors
	2-1/4" Thick Doors

Rim cylinder tailpieces are cut to fit into this tailpiece making the cut less critical.

08 & 09 Function Detail

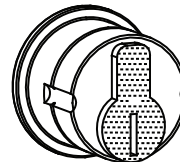


Lever trims come with the adjustable tailpiece which is attached to the escutcheon.

Mortise Cylinder Length

The cylinder assembly in the slide-in filler used for both the cylinder dogging and electrified options are supplied with shims to accommodate cylinder lengths from 7/8" to 1-1/4".

Mortise cylinder



Cylinder Collars

See Accessories for Cylinder Collar lengths.

Narrow Stile Door Kits

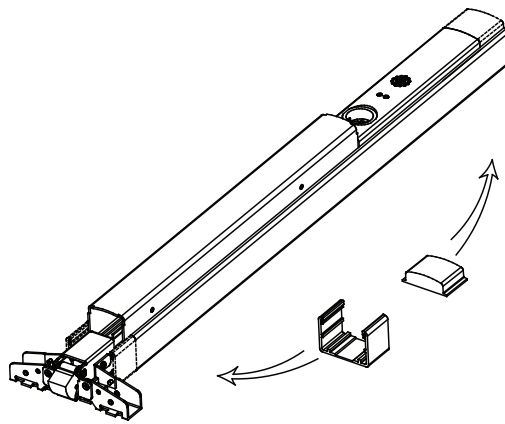
The Detex Value Series Panic Device (V40 Series) is available in two standard lengths, 36" and 48" and is applicable to most standard flush, medium and wide stile doors, 3' to 4' wide. For 2" narrow stile doors, order V40xNS.

Detex V40 Narrow Stile Door Kits

<u>Part Number</u>	<u>Finish</u>	<u>Description</u>
NSK1	628	Clear Anodized Aluminum
NSK2	711	Black Anodized Aluminum

Kit includes #98 semi-mortise strike, conversion pieces and instructions - See illustration below.

For meeting unexpected needs in the field the Narrow Stile Door Kit or NSK is available and converts a standard V40 to narrow stile in less than 5 minutes. This is just another example of the flexibility of the Detex product line.

**Narrow Stile Mounting Plates**

Mounting Plate	V40 Series Functions
BP2	01, 02, 08, 09, 14
BP8	03 only

***Life Safety
and
Security Door Hardware***



Mullions



90KR - Non-Fire Rated Keyed Removable Mullion

F90KR - Fire Rated Keyed Removable Mullion

90KRE - Electrified Keyed Removable Mullion

KEYED REMOVABLE MULLION

F90KR & 90KR

The Detex Keyed Removable Mullions are very durable, low cost mullions designed for use with rim exit devices on standard and fire-rated pairs of doors. The unique design of the latching head allows the mullion to be removed in seconds with one key turn, and then to be snapped back into place without needing the key.



Benefits

- Mullion can be removed in seconds with one key turn, and easily snaps back into place without needing the key
- Simple, user-friendly operation
- Provides years of trouble-free service and protection
- Easily cut to fit most any size application (10' and smaller)
- Easy retrofit application
- Cylinder located inside the building to prevent tampering (cylinder sold separately)
- Easily adapted to any double door application
- Easy installation, no drilling of the mullion tube
- Standard primer gray coating allows for easy field painting

Features

- For use on standard and fire-rated pairs of doors
- Designed for heavy duty use
- Small profile base plate prevents interference when moving objects through doorway
- Locking head mounted to frame, not mullion
- Standard available for 7', 8' & 10' doors
- Fire Rated available for 7' & 8' doors

Options

- E - Electrified (only available for 7' and 8' doors - specify 90KREx7 or 90KREx8)
- H - Hurricane Rated (see H90R catalog page)

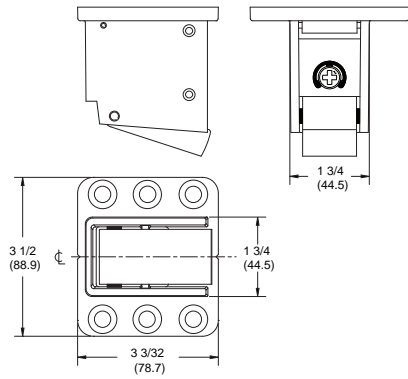
Accessories

- SHK1 - Strike Hook Kit (Std. with Fire Rated Mullion)

Technical Information

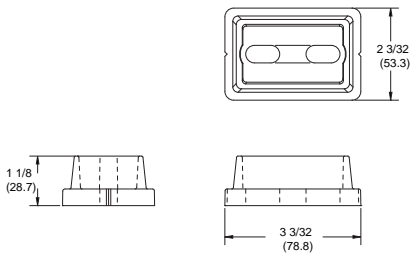
- 11 gauge, 2" x 3" steel mullion tube
- Base anchors included

Top Fitting



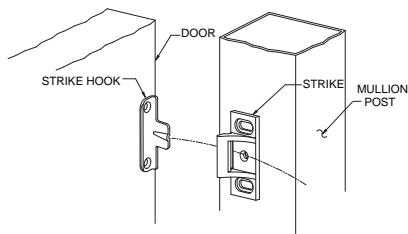
Top fitting has a latch that allows the mullion to be locked back into place without use of the key.

Sill or Bottom Fitting

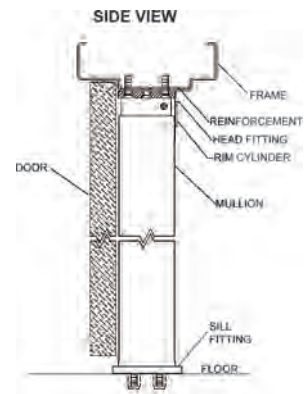
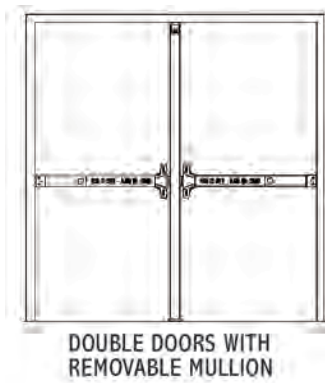


The sill or bottom fitting has a small footprint and, once installed, all fasteners are hidden by the mullion tube.

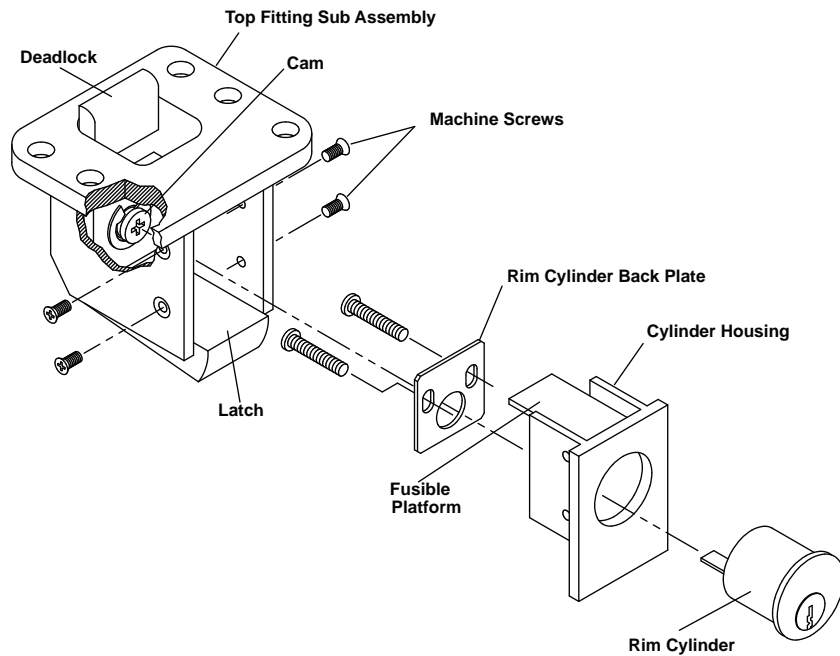
Strike Hook Installation



Riser Diagram



Cylinder Installation



Listings and Approvals



UL and Warnock Hersey Listed for 3 hour fire rated pairs of doors up to 8'x8'



WHI labeled for use with other manufacturers' fire exit hardware (Call for non-Detex product applications)

Detex Limited Warranty 10 Year Limited Manufacturer's Warranty



Detex Corporation
302 Detex Drive
New Braunfels, Texas 78130-3045 USA
PH. (830) 629-2900
(800) 729-3839
FAX (800) 653-3839
<http://www.detex.com>
USA Sales:
marketing@detex.com
International Sales:
export@detex.com

Cancer & Reproductive Harm - www.detex.com/prop65

HURRICANE-RATED REMOVABLE MULLION H90R

The Detex Removable Mullions are heavy-duty removable mullions designed for use with rim exit devices on heavy-duty pairs of doors. The design allows the mullion to be removed. Removal of top fitting screws allows tube and fitting to rotate away from frame. Approved for hurricane installations.



Benefits

- Mullion can be removed in minutes by removing 6 easily accessible screws
- Simple, user-friendly operation
- Provides years of trouble-free service and protection
- Small profile base plate prevents interference when moving objects through doorway
- Easily adapted to any double door application
- Easy installation, no drilling of the mullion tube
- Standard primer gray coating allows for easy field painting
- Lockdown screws prevent vibration / rattle

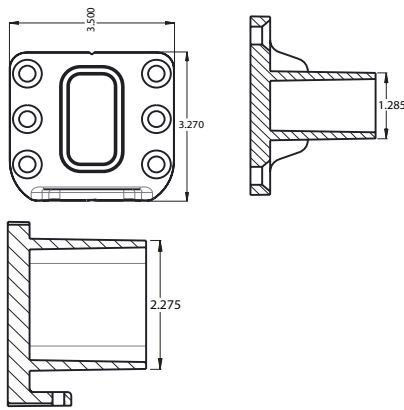
Features

- For use on standard and hurricane-rated pairs of doors
- Designed for heavy duty use
- Available for use on 7' pairs of doors (std.) or 8' pairs of doors
- Easy retrofit application

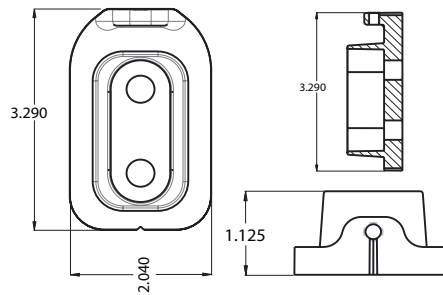
Technical Information

- 1/4" thick, 2" x 3" steel mullion tube
- Base and anchors included

Top Fitting



Sill or Bottom Fitting



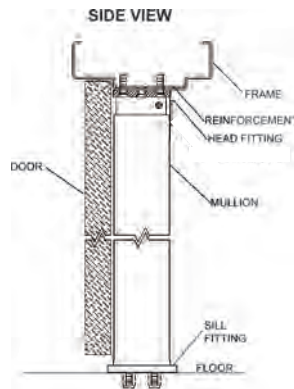
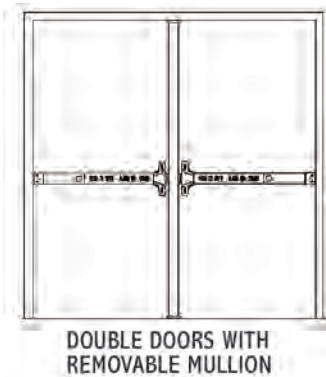
The sill or bottom fitting has a small footprint and, once installed, bottom fasteners are hidden by the mullion tube.

Listings and Approvals

Hurricane Listed
NOA 13-0717.13
NOA 13-0617.22


Detex Limited Warranty
10 Year Limited Manufacturer's
Warranty

Riser Diagram



Where Trust is Built™
DETEX®
Life Safety, Security and Security Assurance

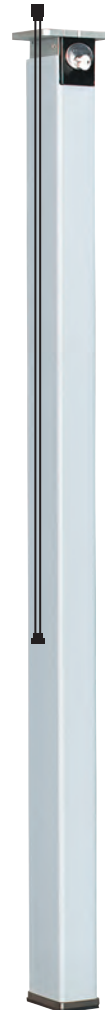
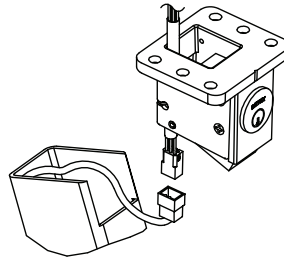
Detex Corporation
302 Detex Drive
New Braunfels, Texas 78130-3045 USA
PH. (830) 629-2900
(800) 729-3839
FAX (800) 653-3839
<http://www.detex.com>
USA Sales:
marketing@detex.com
International Sales:
export@detex.com

 Cancer & Reproductive Harm - www.detex.com/prop65

ELECTRIFIED KEYED REMOVABLE MULLION

90KRE

The Detex Keyed Removable Mullions are very durable, low cost mullions designed for use with rim exit devices on standard pairs of doors. The unique design of the latching head allows the mullion to be removed in seconds with one key turn, and then to be snapped back into place without needing the key.



Benefits

- Mullion can be removed in seconds with one key turn, and easily snaps back into place without needing the key
- Simple, user-friendly operation
- Provides years of trouble-free service and protection
- Easily cut to fit most any size application (10' and smaller)
- Easy retrofit application
- Cylinder located inside the building to prevent tampering (cylinder sold separately)
- Easily adapted to any double door application
- Easy installation, no drilling of the mullion tube
- Standard primer gray coating allows for easy field painting
- Provides ability to apply power to an electric strike

Features

- For use on standard pairs of doors
- Designed for heavy duty use
- Small profile base plate prevents interference when moving objects through doorway
- Locking head mounted to frame, not mullion
- Standard available for 7', 8' & 10' doors

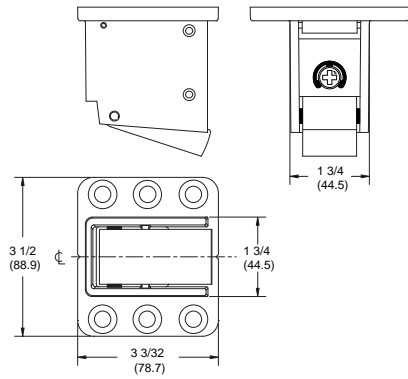
Options

- E - Electrified (only available for 7' and 8' doors - specify 90KREx7 or 90KREx8)

Technical Information

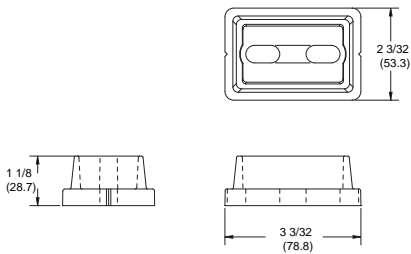
- 11 gauge, 2" x 3" steel mullion tube
- Base anchors included

Top Fitting



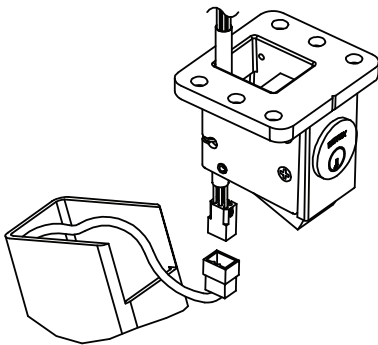
Top fitting has a latch that allows the mullion to be locked back into place without use of the key.

Sill or Bottom Fitting

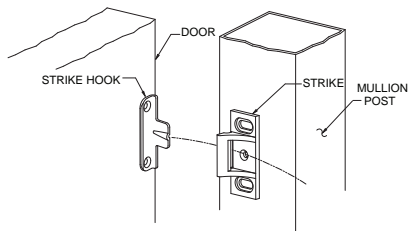


The sill or bottom fitting has a small footprint and, once installed, all fasteners are hidden by the mullion tube.

Wire Harness Connection

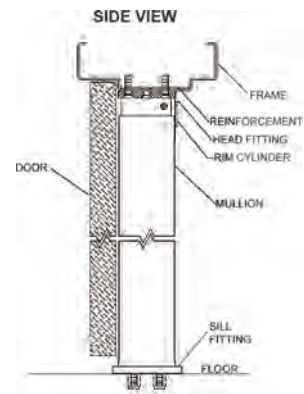
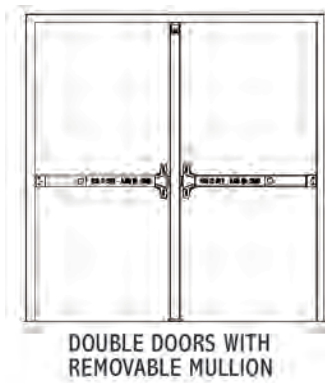


Strike Hook Installation

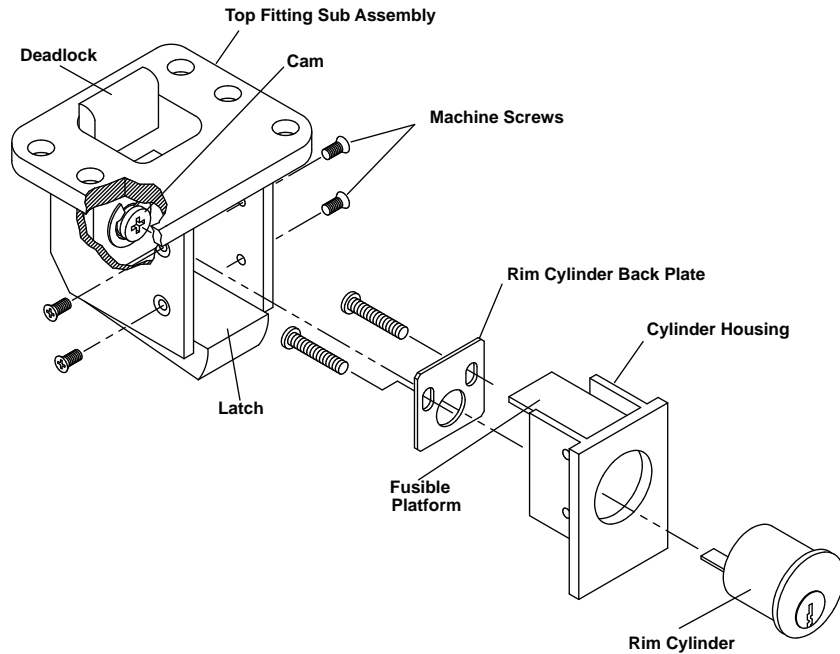


 Cancer & Reproductive Harm - www.detex.com/prop65

Riser Diagram



Cylinder Installation



Listings and Approvals



UL and Warnock Hersey Listed for 3 hour fire rated pairs of doors up to 8'x8'



WHI labeled for use with other manufacturers' fire exit hardware (Call for non-Detex product applications)

Detex Limited Warranty

10 Year Limited Manufacturer's Warranty

Where Trust is Built™
DETEX®
Life Safety, Security and Security Assurance

Detex Corporation
 302 Detex Drive
 New Braunfels, Texas 78130-3045 USA
 PH. (830) 629-2900
 (800) 729-3839
 FAX (800) 653-3839
<http://www.detex.com>
 USA Sales:
marketing@detex.com
 International Sales:
export@detex.com

Life Safety and Security Door Hardware



AUTOMATIC OPERATORS

AO19 SERIES® HOW TO ORDER

DETEX CORPORATION

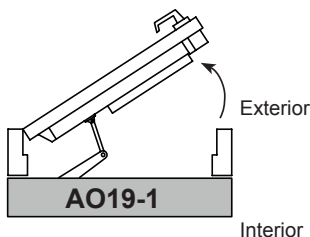
Automatic Operator

Select from list below and fax to 800-653-3839

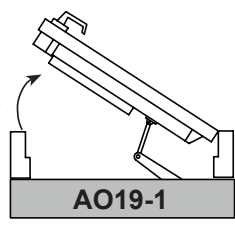
NOTE: Operator always mounted inside of building
Viewed from mounting side of door

- Single Door 39.5" Right Hand Push AL
 Qty _____ 45.5" Left Hand Push 11" + reveal BZ
 52" Pull Max reveal on a pull 2.5"

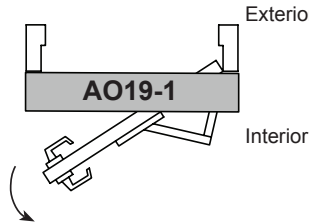
LH Push



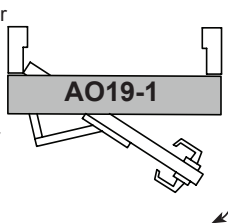
RH Push



LH Pull

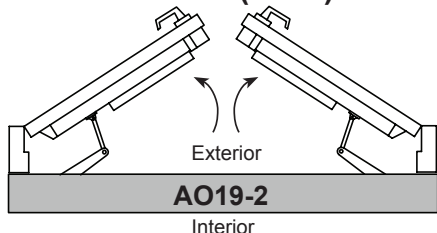


RH Pull

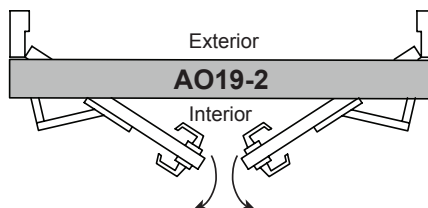


- Double Door (Twin) 75.5" Push AL Simultaneous
 Qty _____ 92" Push 11" + reveal BZ Independent
 100" Pull Max reveal on a pull 2.5"

Double Door (Twin) Push

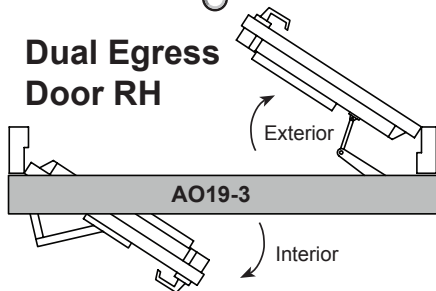


Double Door (Twin) Pull

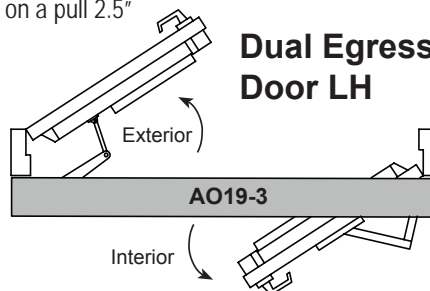


- Double Egress (Dual) Door 75.5" Right Hand Push AL Simultaneous
 Qty _____ 92" Left Hand Pull BZ Independent
 100" Max reveal on a pull 2.5"

Dual Egress Door RH



Dual Egress Door LH



Distributor: _____ Date: _____

Ph # _____ Email: _____ PO # _____

Comments: _____

Model # _____ x (length) _____ x (push/pull/dual) _____ x (AL/BZ) _____

AO19 SERIES®

AO19-1

Low Energy Automatic Door Operators for Single Doors

The AO19 Series Automatic Operator for single doors is an easy to install, heavy duty product for high use and high abuse low energy applications. The AO19 Series meets requirements for ANSI/BHMA A156.19 (American National Standard for Power Assist and Low Energy Power Operated Doors) and provides standard features that meet the requirements of the American Disabilities Act.



AO19-1 RH Push

Shown with 21 Series
Electric Latch
Retraction (ER)

Benefits

- Economical operator provides safe and easy access in medium to high-traffic and security areas
- Provides ADA compliant access to handicap applications
- Quiet operation
- 115VAC power plug-in mounted in header
- Hanger plate allows quick installation
- Self-contained unit in an extruded case allows easy access for maintenance and adjustments
- Works with existing access control, locking and computer signal devices
- Easy manual use
- Reduced service calls due to heavy-duty construction
- 3-way low-voltage ON/OFF/HOLD switch for ease of service and setup
- Can be installed and adjustments can be made prior to electrician connecting building power

Features

- Available in single, pair (twin) for independent, simultaneous and dual egress openings
- Power close applies a reverse power to aid in latch check position. Must be selected to activate.
- Single voltage source required to operate
- Adjustable delayed activation for sequenced vestibule doors
- Reverse on obstruction stalls a door during closing cycle and re-activates to open if an obstruction is sensed anytime before the latch position. Must be selected to activate.
- Adjustable closing speed
- Push & Go (Use for Handicap) activates when door is manually pushed to open. Must be selected to activate.
- Electric lock relay provides an adjustable delay before door opens to unlock an electric strike, maglock or other types of electric locks - prevents binding

Mechanical Options

- LH Push - Left Hand Push
- RH Push - Right Hand Push
- LH Pull - Left Hand Pull
- RH Pull - Right Hand Pull
- 39.5" - Fits above most 36" doors
- 45.5" - Fits above most 42" doors
- 52" - Fits above most 48" doors

Accessories

- 104792 - Wireless Button Package (includes 2 push plates, 2 mounting boxes and 1 receiver)
- PB-2048-3 - Mushroom switch, hard-wired
- DS-3681-630 - Electric Strike, cylindrical

Call for available activation options

Technical Information

Power Requirements -
 • 115VAC 60 HZ 3 amps

Motor
 • 115VDC rectified
 • 1/8 hp
 • 60:1 gearbox

Module -
 • Activation input terminals
 • Form C lock switch terminals
 • Safety lock-out built in
 • 17 additional features standard on board

Enclosure -
 • 7" h x 4 1/2" d
 • Approximately 50 lbs
 • Aluminum extrusion

- Push reveal depth up to 11" with standard arm. Extended arm available.
- Pull reveal depth up to 5"

Listings and Approvals



Certified to ANSI/UL 325
 Tested - ANSI 156.19



Meets ADA requirements



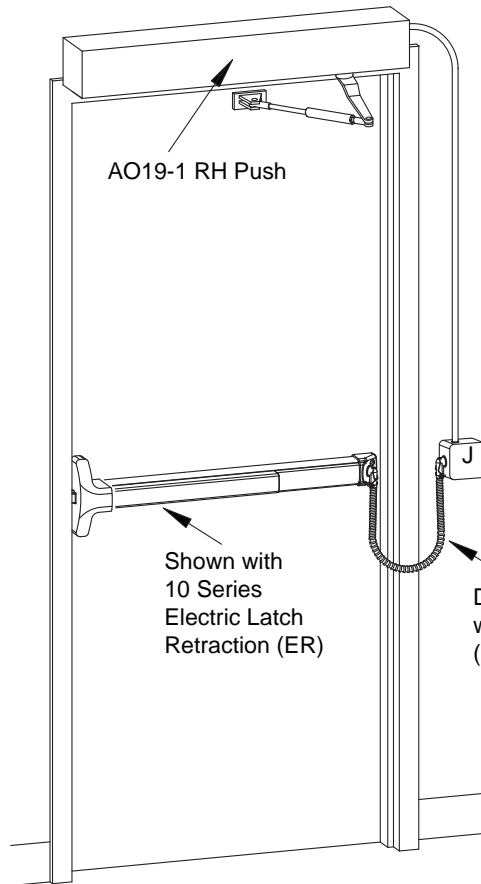
3-Hour Fire Listed

Finishes

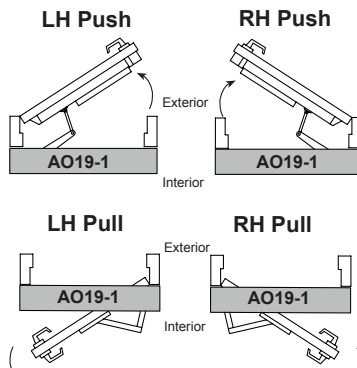
- AL - 204-Ri Clear: Arch. Class II anodized coating, AA-M12C22A31
- BZ - 313-Ri Dark Bronze: Arch. Class II Anodized coating, AA-M12C22A32

Riser Diagram

Handing Diagram



Typical Application



J-box (sold separately)

Detex flexible conduit with connections (optional)

Detex Limited Warranty

3 Year Mechanical / 1 year Electrical
 Limited Manufacturer's Warranty



Detex Corporation
 302 Detex Drive
 New Braunfels, Texas 78130-3045 USA
 PH. (830) 629-2900
 (800) 729-3839
 FAX (800) 653-3839
<http://www.detex.com>
 USA Sales:
marketing@detex.com
 International Sales:
export@detex.com

Cancer & Reproductive Harm - www.detex.com/prop65

AO19 SERIES®

AO19-2

Low Energy Automatic Door Operators for Double Doors

The AO19 Series Automatic Operator for double doors is an easy to install, heavy duty product for high use and high abuse low energy applications. The AO19 Series meets requirements for ANSI/BHMA A156.19 (American National Standard for Power Assist and Low Energy Power Operated Doors) and provides standard features that meet the requirements of the American Disabilities Act.



AO19-2 Push

Shown with 21 Series
Electric Latch
Retraction (ER)

Benefits

- Economical operator provides safe and easy access in medium to high-traffic and security areas
- Provides ADA compliant access to handicap applications
- 115VAC power plug-in mounted in header
- Quiet operation
- Hanger plate allows quick installation
- Self-contained unit in an extruded case allows easy access for maintenance and adjustments
- Works with existing access control, locking and computer signal devices
- Easy manual use
- Reduced service calls due to heavy-duty construction
- 3-way low-voltage ON/OFF/HOLD switch for ease of service and setup
- Can be installed and adjustments can be made prior to electrician connecting building power

Features

- Available in single, pair (twin) for independent, simultaneous and dual egress openings
- Reverse on obstruction stalls a door during closing cycle and re-activates to open if an obstruction is sensed anytime before the latch position. Must be selected to activate.
- Adjustable delayed activation for sequenced vestibule doors
- Single voltage source required to operate
- Electric lock relay provides an adjustable delay before door opens to unlock an electric strike, maglock or other types of electric locks - prevents binding
- Push & Go (Use for Handicap) activates when door is manually pushed to open. Must be selected to activate.
- Power close applies a reverse power to aid in latch check position. Must be selected to activate.
- Adjustable closing speed

Mechanical Options

- Push
- Pull
- 75.5" - Fits above most pairs of 36" doors
- 92" - Fits above most 44" pairs of doors
- 100" - Fits above most 48" pairs of doors

Accessories

- 104792 - Wireless Button Package (includes 2 push plates, 2 mounting boxes, and 1 receiver)
- PB-2048-3 - Mushroom switch, hard-wired
- DS-3681-630 - Electric Strike, cylindrical

Call for available activation options

Technical Information

Power Requirements -

- 115VAC 60 HZ 3 amps

Module -

- Activation input terminals
- Form C lock relay terminals
- Safety lock-out built in
- 17 additional features standard on board

Motor -

- 115VDC rectified
- 1/8 hp
- 60:1 gearbox

Enclosure -

- 7" h x 4 1/2" d
- Approximately 50 lbs
- Aluminum extrusion

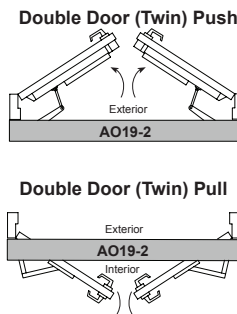
- Push reveal depth up to 11" with standard arm. Extended arm available.

- Pull reveal depth up to 5".

Finishes

- AL - 204-Ri Clear: Arch. Class II anodized coating, AA-M12C22A31
- BZ - 313-Ri Dark Bronze: Arch. Class II Anodized coating, AA-M12C22A32

Handing Diagram



Listings and Approvals



Certified to ANSI/UL 325
Tested - ANSI 156.19

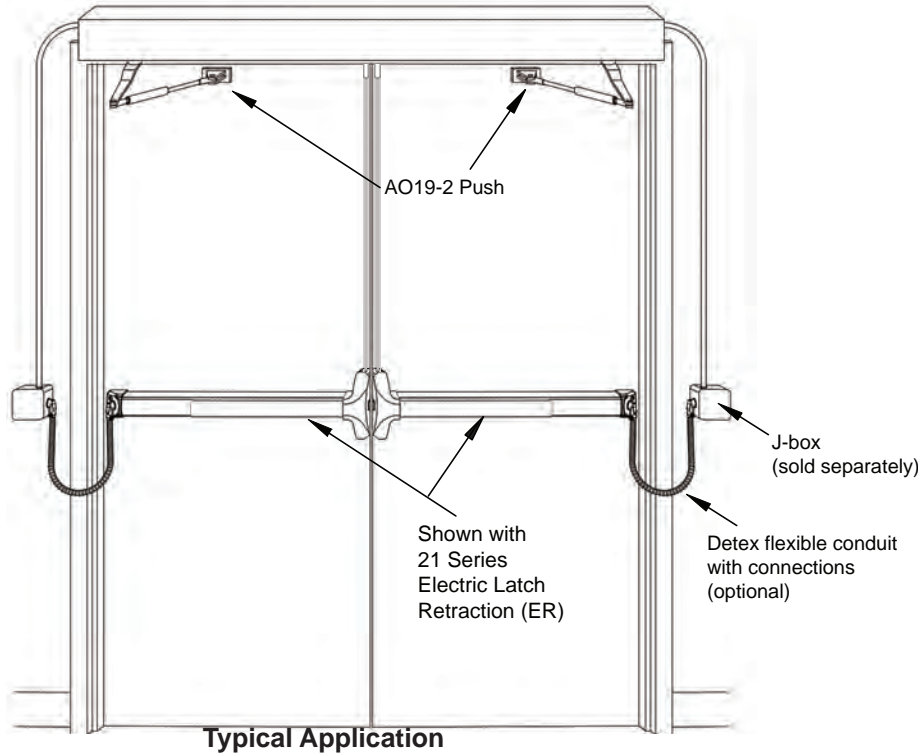


Meets ADA requirements



3-Hour Fire Listed

Riser Diagram



Detex Limited Warranty

3 Year Mechanical / 1 year Electrical
Limited Manufacturer's Warranty



Detex Corporation
302 Detex Drive
New Braunfels, Texas 78130-3045 USA
PH. (830) 629-2900
(800) 729-3839
FAX (800) 653-3839
<http://www.detex.com>
USA Sales:
marketing@detex.com
International Sales:
export@detex.com

Cancer & Reproductive Harm - www.detex.com/prop65

AO19 SERIES®

AO19-3

Low Energy Automatic Door Operators for Double Egress Doors

The AO19 Series Automatic Operator for double egress doors is an easy to install, heavy duty product for high use and high abuse low energy applications. The AO19 Series meets requirements for ANSI/BHMA A156.19 (American National Standard for Power Assist and Low Energy Power Operated Doors) and provides standard features that meet the requirements of the American Disabilities Act.



AO19-3 Dual Egress

Shown with 21 Series
Electric Latch
Retraction (ER)

Benefits

- Economical operator provides safe and easy access in medium to high-traffic and security areas
- Provides ADA compliant access to handicap applications
- 115VAC power plug-in mounted in header
- Easy manual use
- Hanger plate allows quick installation
- Self-contained unit in an extruded case allows easy access for maintenance and adjustments
- Works with existing access control, locking and computer signal devices
- Quiet operation
- Reduced service calls due to heavy-duty construction
- 3-way low-voltage ON/OFF/HOLD switch for ease of service and setup
- Can be installed and adjustments can be made prior to electrician connecting building power

Features

- Available in single, pair (twin) for independent, simultaneous and dual egress openings
- Reverse on obstruction stalls a door during closing cycle and re-activates to open if an obstruction is sensed anytime before the latch position. Must be selected to activate.
- Adjustable delayed activation for sequenced vestibule doors
- Single voltage source required to operate
- Electric lock relay provides an adjustable delay before door opens to unlock an electric strike, maglock or other types of electric locks
- Push & Go (Use for Handicap) activates when door is manually pushed to open. Must be selected to activate.
- Power close applies a reverse power to aid in latch check position. Must be selected to activate.
- Adjustable closing speed

Mechanical Options

- RH Typical
- LH
- 75.5" - Fits above most pairs of 36" doors
- 92" - Fits above most 44" pairs of doors
- 100" - Fits above most 48" pairs of doors

Accessories

- 104792 - Wireless Button Package (includes 2 push plates, box and receiver)

Call for available activation options

- PB-2048-3 - Mushroom switch, hard-wired
- DS-3681-630 - Electric Strike, cylindrical

- PT5 - Power Transfer
- EWH8-626 - Electric Hinge

Technical Information

Power Requirements -

- 115VAC 60 HZ 3 amps

Module -

- Activation input terminals
- Form C lock switch terminals
- Safety lock-out built in
- 17 additional features standard on board

Motor

- 115VDC rectified
- 1/8 hp
- 60:1 gearbox

- Reveal depth up to 5"

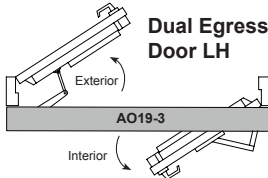
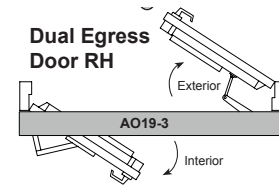
Enclosure -

- 7" h x 4 1/2" d
- Approximately 50 lbs
- Aluminum extrusion

Finishes

- AL - 204-Ri Clear: Arch. Class II anodized coating, AA-M12C22A31
- BZ - 313-Ri Dark Bronze: Arch. Class II Anodized coating, AA-M12C22A32

Handing Diagram



Listings and Approvals



Certified to ANSI/UL 325
Tested - ANSI 156.19

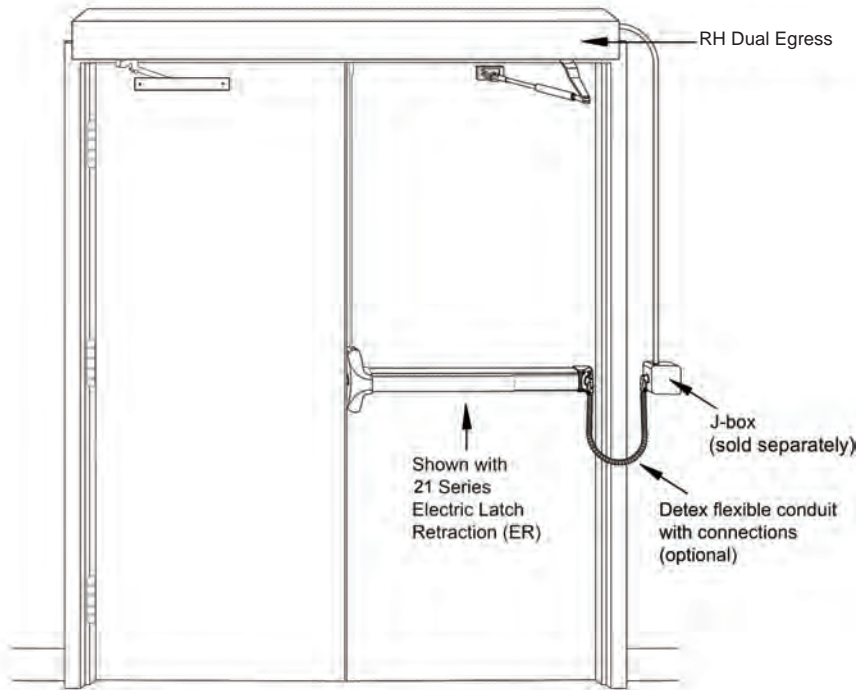


Meets ADA requirements



3-Hour Fire Listed

Riser Diagram



Typical Application

Detex Limited Warranty

3 Year Mechanical / 1 year Electrical
Limited Manufacturer's Warranty



Detex Corporation
302 Detex Drive
New Braunfels, Texas 78130-3045 USA
PH. (830) 629-2900
(800) 729-3839
FAX (800) 653-3839
<http://www.detex.com>
USA Sales:
marketing@detex.com
International Sales:
export@detex.com

Cancer & Reproductive Harm - www.detex.com/prop65



List of Accessories

4 1/2" Round Push Plate Switches

6" Round Push Plate Switches

4 1/2" Square Push Plate Switches

Jamb Mount Push Plate

Vestibule Push Plate

Keyswitch Push Plate Combination

Key Switch

Switch Posts

Hand-Held Transmitter

Transmitters

Multi-Mode Receivers

DH97 Presence Sensor

Swing Door Mounted Presence Sensor

AO19 **SERIES**

AO19 Activation Switches 4 1/2" Round Push Plate Switches

The 104742-X switches combine architectural quality finishes with industrial grade components to provide attractive and reliable automatic door activation.



-H



-HSS



-P

Benefits

- The 104742 Series push plate switches are designed to provide reliable activation of any automatic door.
- Designed as a universal switch, the 104742 Series fit single-gang electrical boxes with no adapters necessary.
- Durable finishes.
- Each unit is built utilizing heavy gauge stainless steel, aircraft quality rivets and screws.
- The most reliable microswitch in the industry.

Features

- The 104742 Series features 4" round face plates in either stainless steel or blue powder coated aluminum with etched and paint-filled legends.
- Includes tamper-resistant screws.
- 4" All Active Face Plate.
- H 4 1/2" Formed Stainless Steel Back Plate.
- A surface mount box is also available. 104738-1025
- Rubber "Bellows" increases weather protection (included).
- Fits single or 2-gang Electrical Box, 104738-1025 Surface Mount Box, or 104753-R4 Mounting Box With Transmitter.

Electrical Options

- Radio Control Versions Available

Accessories

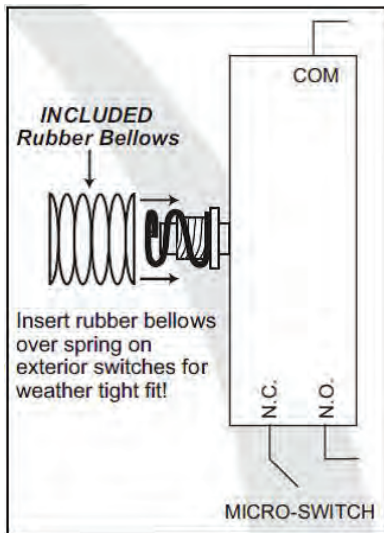
- 104738-1025 mounting box
- 104752 Multi-Mode Receivers
- 104753-R4 Mounting Box with Transmitter
- 104753-STX-R4



Technical Information

- 4" All Active Face Plate
- 4 1/2" Formed Stainless Steel Back Plate
- UL Listed Momentary Switch, SPDT, 15 Amp @ 125V AC
- Rubber "Bellows" increases weather protection (included)

Riser Diagram



Listings and Approvals



American National Standards Institute (ANSI)



Building Hardware Manufacturers Association (BHMA) - ANSI/BHMA A156.10 & A156.19

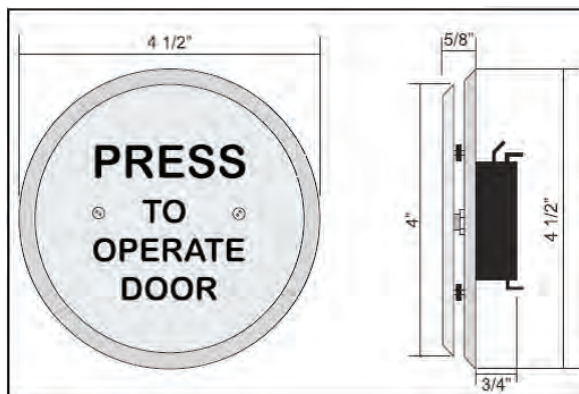


UL Approved Switches

Warranty

1 Year Limited Manufacturer's Warranty

Dimensions



Where Trust is Built™

DETEX®
Life Safety, Security and Security Assurance

Detex Corporation
302 Detex Drive
New Braunfels, Texas 78130-3045 USA
PH. (830) 629-2900
(800) 729-3839
FAX (800) 653-3839
<http://www.detex.com>
USA Sales:
marketing@detex.com
International Sales:
export@detex.com

⚠ Cancer & Reproductive Harm - www.detex.com/prop65

AO19 **SERIES**

AO19 Activation Switches 6" Round Push Plate Switches

The 104743-X switches combine architectural quality finishes with industrial grade components to provide attractive and reliable automatic door activation.



-H



-HSS



-P

Benefits

- The 104743 Series push plate switches are designed to provide reliable activation of any automatic door.
- Designed as a universal switch, the 104743 Series fit single-gang electrical boxes with no adapters necessary.
- Durable finishes.
- Each unit is built utilizing heavy gauge stainless steel, aircraft quality rivets and screws.
- The most reliable microswitch in the industry.

Features

- The 104742 Series features 5 1/2" round face plates in either stainless steel or blue powder coated aluminum with etched and paint-filled legends.
- Includes tamper-resistant screws.
- 5 1/2" All Active Face Plate.
- H 6" Formed Stainless Steel Back Plate.
- A surface mount box is also available. 104738-1030
- Rubber "Bellows" increases weather protection (included).
- Fits single or 2-gang Electrical Box, 104738-1030 Surface Mount Box, or 104753-R6 Mounting Box With Transmitter.

Electrical Options

- Radio Control Versions Available

Accessories

- 104738-1030 mounting box
- 104752-RXM Multi-Mode Receivers
- 104753-R6 Mounting Box with Transmitter
- 104753-STX-R6 Mounting Box with Sequencing Transmitter

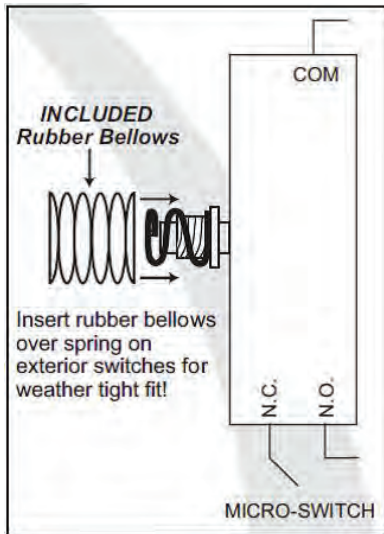


Technical Information

- 5 1/2" All Active Face Plate
- 6" Formed Stainless Steel Back Plate
- UL Listed Momentary Switch, SPDT, 15 Amp @ 125V AC

- Rubber "Bellows" increases weather protection (included)

Riser Diagram



Listings and Approvals



American National Standards Institute (ANSI)



Building Hardware Manufacturers Association (BHMA) - ANSI/BHMA A156.10 & A156.19

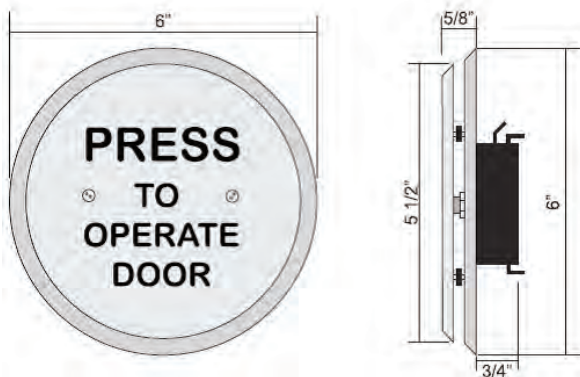


UL Approved Switches

Warranty

1 Year Limited Manufacturer's Warranty

Dimensions



Where Trust is Built™

DETEX®

Life Safety, Security and Security Assurance

Detex Corporation
302 Detex Drive
New Braunfels, Texas 78130-3045 USA
PH. (830) 629-2900
(800) 729-3839
FAX (800) 653-3839
<http://www.detex.com>
USA Sales:
marketing@detex.com
International Sales:
export@detex.com

Cancer & Reproductive Harm - www.detex.com/prop65

AO19 **SERIES**

AO19 Activation Switches 4 1/2" Square Push Plate Switches

The 104755-X switches combine architectural quality finishes with industrial grade components to provide attractive and reliable automatic door activation.



104755



Benefits

- The 104755 Series push plate switches are designed to provide reliable activation of any automatic door.
- Designed as a universal switch, the 104755 Series fit single-gang or 2-gang electrical boxes with no adapters necessary.
- Each unit is built utilizing heavy gauge stainless steel, aircraft quality rivets and screws.
- Durable finishes.
- The most reliable microswitch in the industry.

Features

- The 104755 Series features 4" square face plates in either stainless steel or blue powder coated aluminum with etched and paint-filled legends.
- 4" x 4" All Active Face Plate.
- Rubber "Bellows" increases weather protection (included).
- Includes tamper-resistant screws.
- H 4 1/2" x 4 1/2" Formed Stainless Steel Back Plate.
- Fits single or 2-gang Electrical Box or #104738-1015 Surface Mount Box.
- A surface mount box is also available. 104738-1020

Electrical Options

- Radio Control Versions Available

Accessories

- 104738-1015 mounting box



- 104738-1020 Mounting Box



- 104753 Mounting Box with Transmitter



- 104792 Complete Wireless Button Package



- 104752-RXM Multi-Mode Receivers

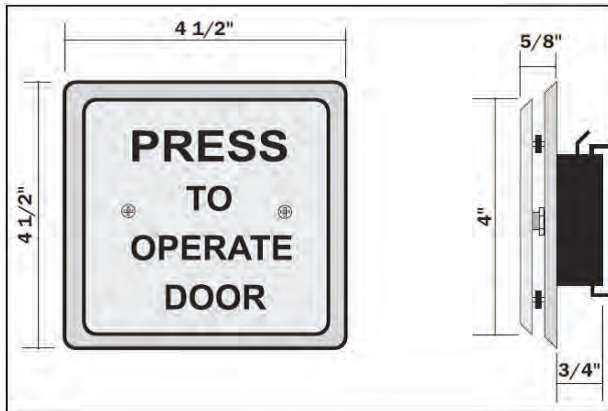


- 104786-X Wireless Vestibule Sequencing Package

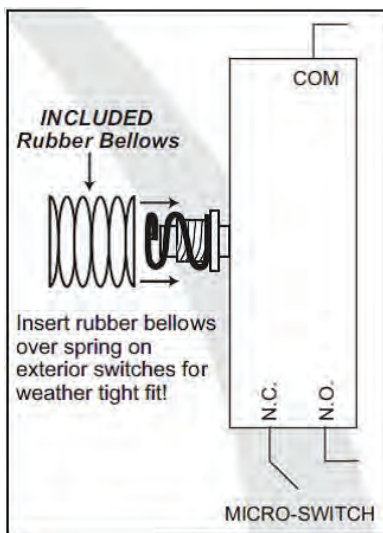
Technical Information

- 4" x 4" All Active Face Plate
- 4 1/2" x 4 1/2" Formed Stainless Steel Back Plate
- UL Listed Momentary Switch, SPDT, 15 Amp @ 125V AC
- Rubber "Bellows" increases weather protection (included)

Dimensions



Riser Diagram



Listings and Approvals



American National Standards Institute (ANSI)



Building Hardware Manufacturers Association (BHMA) - ANSI/BHMA A156.10 & A156.19



UL Approved Switches

Warranty

1 Year Limited Manufacturer's Warranty



Cancer & Reproductive Harm - www.detex.com/prop65

Where Trust is Built™
DETEX®
Life Safety, Security and Security Assurance

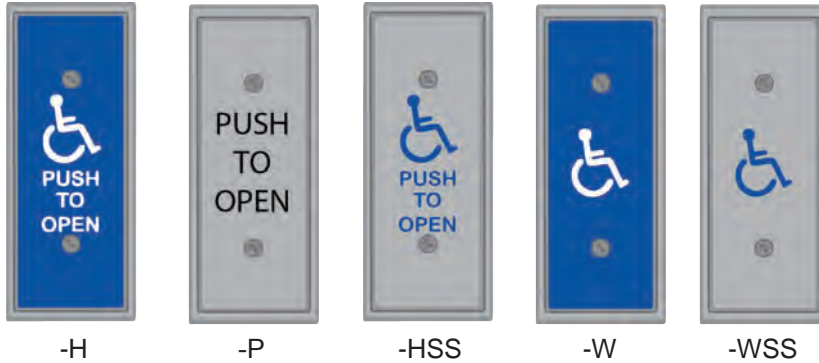
Detex Corporation
302 Detex Drive
New Braunfels, Texas 78130-3045 USA
PH. (830) 629-2900
(800) 729-3839
FAX (800) 653-3839
<http://www.detex.com>
USA Sales:
marketing@detex.com
International Sales:
export@detex.com

AO19 **SERIES**

AO19 Activation Switches

Jamb Mount Push Plate

The 104739-X Jamb Mount switches combine architectural quality finishes with industrial grade components to provide attractive and reliable automatic door activation.



Benefits

- The 104739 Series push plate switches are designed to provide reliable activation of any automatic door.
- Each unit is built utilizing heavy gauge stainless steel, aircraft quality rivets and screws.
- Designed as a universal switch, the 104739 Series fits 1 3/4" Frame or 104738-1010, 104753-J Surface Mount Box with no adapters necessary.
- Durable finishes.
- The most reliable switch in the industry.

Features

- The 104739 Series features 1 1/2" x 4 1/2" face plates in either stainless steel or blue powder coated aluminum with etched and paint-filled legends.
- Includes tamper-resistant screws.
- 1 1/2" x 4 1/2" All Active Face Plate.
- 1 11/16" x 4 1/2" Formed Stainless Steel Back Plate.
- Rubber "Bellows" Increases Weather Protection (included).

Electrical Options

- Radio Control Versions Available

Accessories

- 104738-1010 mounting box
- 104752 CP-RX Receivers
- 104753-STX-J Mounting Box with Transmitter

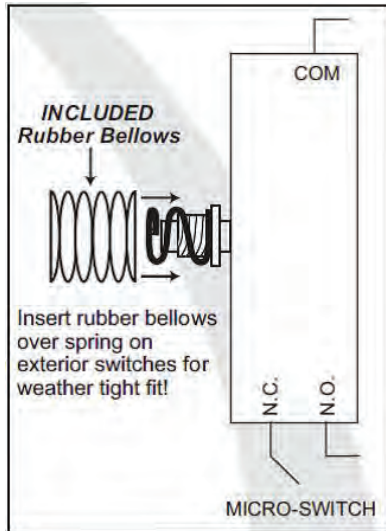


Technical Information

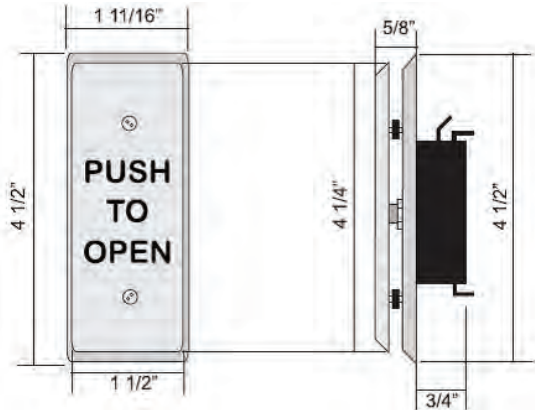
- 1 1/2" x 4 1/2" All Active Face Plate
- 1 11/16" x 4 1/2" Formed Stainless Steel Back Plate
- UL Listed Momentary Switch, SPDT, Mom., 15 Amp @ 125V AC

- Rubber "Bellows" Increases Weather Protection (included)

Riser Diagram



Dimensions



Listings and Approvals



American National Standards Institute (ANSI)




Building Hardware Manufacturers Association (BHMA) - ANSI/BHMA A156.10 & A156.19



UL Approved Switches

Warranty

1 Year Limited Manufacturer's Warranty

 Cancer & Reproductive Harm - www.detex.com/prop65

Where Trust is Built™
DETEx®
Life Safety, Security and Security Assurance

Detex Corporation
302 Detex Drive
New Braunfels, Texas 78130-3045 USA
PH. (830) 629-2900
(800) 729-3839
FAX (800) 653-3839
<http://www.detex.com>
USA Sales:
marketing@detex.com
International Sales:
export@detex.com

AO19 **SERIES**

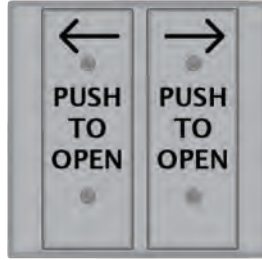
AO19 Activation Switches

Vestibule Push Plate

The 104744-X Vestibule switches combine architectural quality finishes with industrial grade components to provide attractive and reliable automatic door activation.



-H



-P



-HSS

Benefits

- The 104744 Series push plate switches are designed to provide reliable activation of any automatic door.
- Designed as a universal switch, the 104744 Series fits 2-gang Electrical Box or Surface Mount Box 104738-1015, 104753-V with no adapters necessary.
- Durable finishes.
- Each unit is built utilizing heavy gauge stainless steel, aircraft quality rivets and screws.
- The most reliable microswitch in the industry.

Features

- The 104744 Series features 2 1/2" x 4 1/2" face plates in either stainless steel or blue powder coated aluminum with etched and paint filled legends.
- 2 1/2" x 4 1/2" All Active Face Plates
- 4 1/2" x 4 1/2" Formed Stainless Steel Back Plate.
- Includes tamper-resistant screws.
- Rubber "Bellows" increases weather protection (included).

Electrical Options

- Radio Control Versions Available

Accessories

- 104738-1015 mounting box
- 104752 CP-RX Receivers
- 104753-V Mounting Box with Dual Transmitter



Technical Information

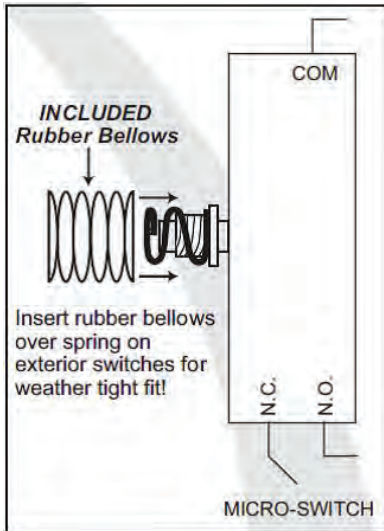
- 2 1/2" x 4 1/2" All Active Face Plate.
- 4 1/2" x 4 1/2" Formed Stainless

Steel Back Plate

- UL Listed Momentary Switch, SPDT, 15 Amp @ 125V AC

- Rubber "Bellows" increases weather protection (included)

Riser Diagram



Listings and Approvals



American National Standards Institute (ANSI)



Building Hardware Manufacturers Association (BHMA) - ANSI/BHMA A156.10 & A156.19

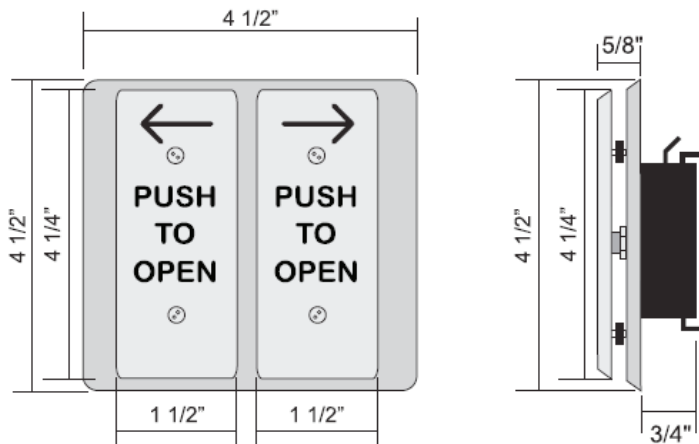


UL Approved Switches

Warranty

1 Year Limited Manufacturer's Warranty

Dimensions



Where Trust is Built™
DETEX®
Life Safety, Security and Security Assurance

Detex Corporation
 302 Detex Drive
 New Braunfels, Texas 78130-3045 USA
 PH. (830) 629-2900
 (800) 729-3839
 FAX (800) 653-3839
<http://www.detex.com>
 USA Sales:
marketing@detex.com
 International Sales:
export@detex.com

Cancer & Reproductive Harm - www.detex.com/prop65

AO19 **SERIES**[®]

AO19 Activation Switches

Keyswitch

When used with automatic doors, the 105369 Series keyswitches can be used to turn an operator or any activation device on and off. The 105369 keyswitches are a simple way to provide secure activation of any automatic door.



Benefits

- The 105369 fits Single-gang, 2-gang Electrical Boxes or Surface Mount Box #104738-1015 and #104738-1035.
- The 105369 Series keyswitches are available with a maintained (105369-1) or momentary (105369-2) contact switch.

Features

- The heavy duty switch bracket features a switch activator dead stop which prevents the key cylinder from damaging a single switch.
- Operates with 1 1/8" to 1 1/4" mortise cylinder with Adams-Rite cam (available separately)
- Available in single gang style: 105369-5 maintained, 105369-6 momentary.
- Pluggable wiring harness.
- Available in narrow style: 105369-3 maintained, 105369-4 momentary.

Electrical Options

- Radio Control Versions Available

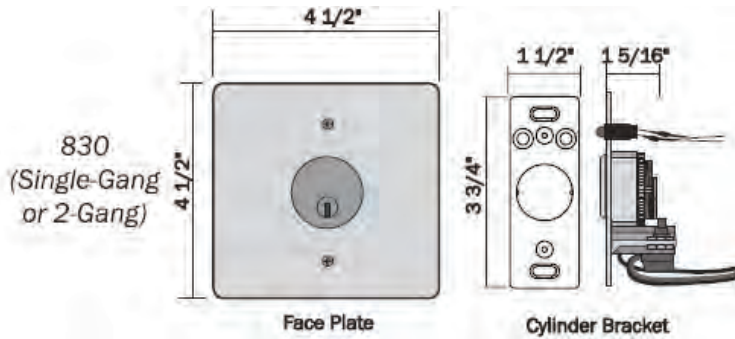
Accessories

- 104738-1015 mounting box
- 104738-1035 2" Deep Mounting Box

Technical Information

- UL Listed Momentary Switch, SPDT, 15 Amp @ 125V AC
- Adjustable mounting holes help “Plumb and Square” keyswitch

Dimensions



Listings and Approvals



American National Standards Institute (ANSI)



Building Hardware Manufacturers Association (BHMA) - ANSI/BHMA A156.10 & A156.19



UL Approved Switches

Warranty

1 Year Limited Manufacturer's Warranty

Where Trust is Built™
DETEX®
Life Safety, Security and Security Assurance

Detex Corporation
302 Detex Drive
New Braunfels, Texas 78130-3045 USA
PH. (830) 629-2900
(800) 729-3839
FAX (800) 653-3839
<http://www.detex.com>
USA Sales:
marketing@detex.com
International Sales:
export@detex.com

Cancer & Reproductive Harm - www.detex.com/prop65

AO19 **SERIES**[®]

AO19 Activation Accessories

Post

The 105380-X and 105396-X Series Switch Posts are designed to provide a freestanding self-contained door activation device that can be installed at any location.



Benefits

- Attractive and built to withstand the toughest conditions.
- The 105396 Series posts are made of 5" square tubular steel that is 1/8" thick.
- The durable LongLife™ Finish protects against rust and consists of two coats: a zinc rich base coat on all surfaces and an industrial grade exterior powder coat finish.
- The integral plastic cap allows superior wireless signal range.
- An innovative ABS plastic rust shield fits under the mounting shoe to help block the corrosive action of concrete to steel contact.
- Durable Exterior Grade LongLife™ Finish with Rust Shield in Gray or Dark Bronze.

Features

- The 105380 Series Posts come standard with a single switch cutout.
- Microswitch includes Rubber Bellows for added weather protection.
- Interchangeable Surface and Inground Mounting Shoes or External Surface Mounting Foot available.
- The 105396 Series post is available with 2 switch cutouts.
- All versions can be ordered for either hardwired or wireless operation.
- Surface Mount with Internal Shoe.
 - 105380-1: Aluminum Concealed
 - 105380-2: Bronze Concealed
 - 105396-1: Aluminum Concealed
 - 105396-2: Bronze Concealed
- Inground Mount.
 - 105380-3: Aluminum Staked
 - 105380-4: Bronze Staked
- Surface Mount with External Shoe.
 - 105380-5: Aluminum Exposed
 - 105380-6: Bronze Exposed
 - 105396-5: Aluminum Exposed
 - 105396-6: Bronze Exposed

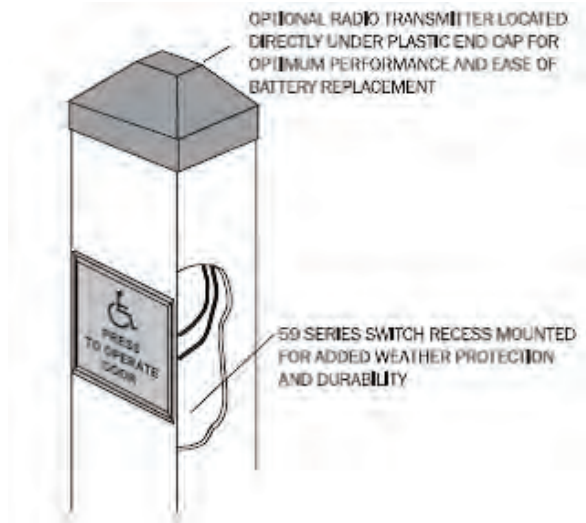
Electrical Options

- 104753-P Post Transmitter
- 104753-STX-P Sequencing Post Transmitter

Technical Information

- Rubber "Bellows" increases weather protection (included)
- Physical Size 5"W x 5"D x 42"H

Riser Diagram



Listings and Approvals

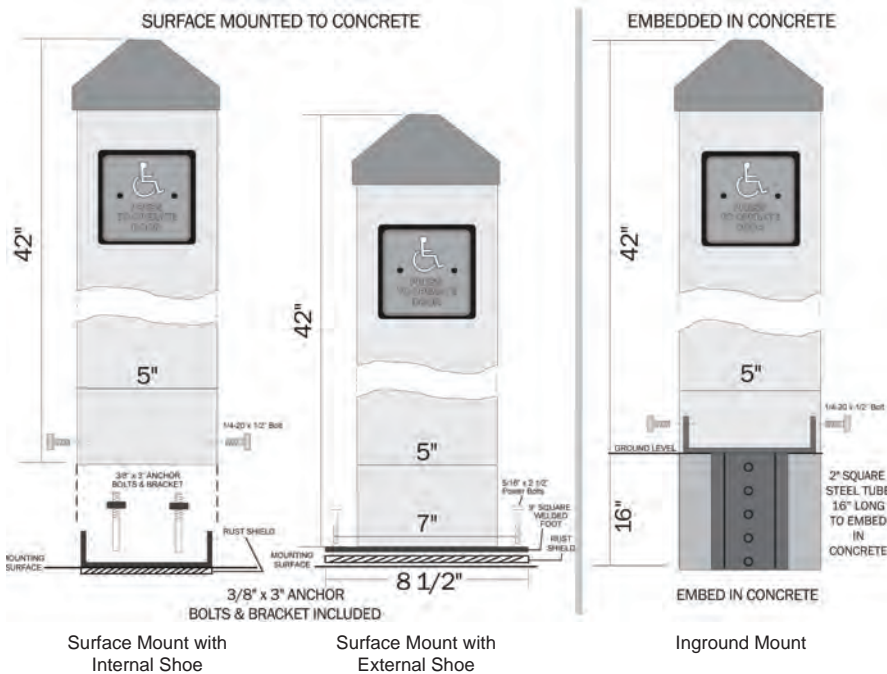


Building Hardware Manufacturers Association (BHMA) - ANSI/BHMA A156.10 & A156.19

Warranty

1 Year Limited Manufacturer's Warranty

Dimensions



Where Trust is Built™
DETEX®
 Life Safety, Security and Security Assurance

Detex Corporation
 302 Detex Drive
 New Braunfels, Texas 78130-3045 USA
 PH. (830) 629-2900
 (800) 729-3839
 FAX (800) 653-3839
<http://www.detex.com>
 USA Sales:
marketing@detex.com
 International Sales:
export@detex.com

⚠ Cancer & Reproductive Harm - www.detex.com/prop65

AO19 **SERIES**[®]

AO19 Activation Accessories Hand-Held Wireless Transmitter

The 104737 Wireless Transmitter provides the most reliable wireless activation of automatic doors available.



Benefits

- The hand-held micro-transmitters are small enough to wear as a necklace, yet have large, easy to activate buttons.
- The transmitter can also be used interchangeably with other Manufacturer's products that operate on its frequencies as well.

Features

- Utilizes Proprietary High Definition Radio Control™ (HDRC™) for unsurpassed signal transmission clarity
- Three user selectable frequencies available in single unit: HDRC™, 300 MHz, 390 MHz.
- FCC license for all three frequencies.
- SignalLock™ guarantees signal transmission when push plate is pressed.
- Power saving circuitry extends battery life.
- Integrated signal radiating antenna boosts signal strength.
- One 104737-1 (CP/TX-HH1) and Two 104737-2 (CP/TX-HH2) buttons available.
- Compact overall size with large activation buttons.
- The 104737 CP/TX can transmit three different frequencies.

Electrical Options

- 104737-1 Hand-held Transmitter - 1 button
- 104737-2 Hand-held Transmitter - 2 button

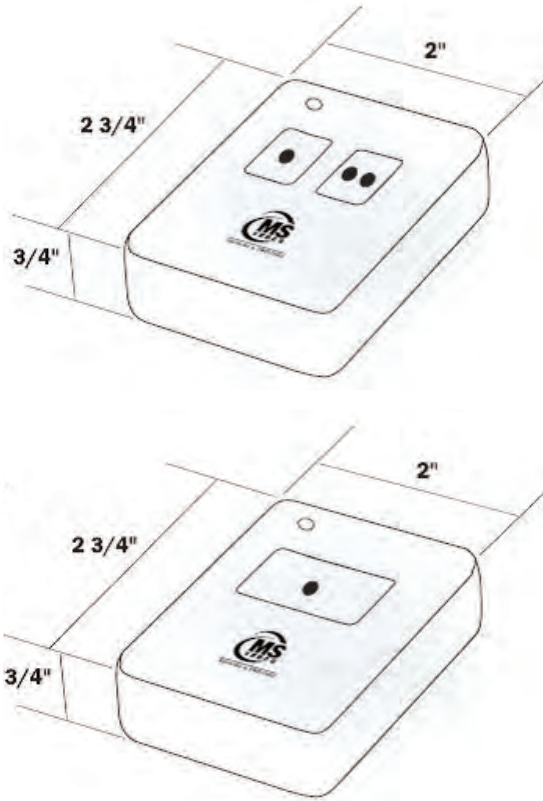
Accessories

- 104752 Multi-mode Receiver
- 104752-RXM Multi-Mode Receiver

Technical Information

- Temperature Range: -4°F to 140°F (-20°C to 60°C)
- 390 MHz: Compatible with MS SEDCO and GENIE™ products
- Physical Size 2"W x 3/4"D x 2 3/4"H
- 300 MHz: Compatible with Multicode™ products

Dimensions



Listings and Approvals



American National Standards Institute (ANSI)



Building Hardware Manufacturers Association (BHMA) - ANSI/BHMA A156.10 & A156.19

FCC


US Patent 7,545,833

Warranty

1 Year Limited Manufacturer's Warranty

Where Trust is Built™
DETEX®
Life Safety, Security and Security Assurance

Detex Corporation
302 Detex Drive
New Braunfels, Texas 78130-3045 USA
PH. (830) 629-2900
(800) 729-3839
FAX (800) 653-3839
<http://www.detex.com>
USA Sales:
marketing@detex.com
International Sales:
export@detex.com

 Cancer & Reproductive Harm - www.detex.com/prop65

AO19 **SERIES**[®]

AO19 Activation Accessories

Transmitters

The 104753 Transmitter provides the most reliable wireless activation of automatic doors available.



104753 - 4" Box/Transmitter



104753-R4 - 4" Round Box/Transmitter
104753-R6 - 6" Round Box/Transmitter



104753-J Jamb Mount Box/Transmitter

Benefits

- The 104753 transmitter comes prewired and installed with battery in a surface mount box, making installation quick and easy.
- The 104753 can also be used interchangeably with other Manufacturer's products that operate on its frequencies as well.
- The 104753 can transmit three different frequencies.

Features

- Utilizes Proprietary High Definition Radio Control™ (HDRC™) for unsurpassed signal transmission clarity.
- Three User selectable frequencies available in single unit: HDRC™, 300 MHz, and 390 MHz.
- FCC License for all three frequencies.
- SignalLock™ guarantees signal transmission when push plate switch is pressed.
- Power saving circuitry extends battery life.
- Radiating antenna boosts signal strength.
- Transmitter and battery factory prewired and installed in mounting boxes.
- Powered by standard 9V battery.
- Quick battery access.

Electrical Options

- 104737-1 Handheld Transmitter - 1 button
- 104737-2 Handheld Transmitter - 2 buttons
- 104753-P Post Transmitter
- 104753-Vestibule Dual Transmitter
- 104753-STX 4" Square Sequencing Transmitter
- 104753-STX-P Sequencing Post Transmitter
- 104753-STX-R4 Round 4" Box/ Sequencing Transmitter
- 104753-STX-R6 Round 6" Box/ Sequencing Transmitter

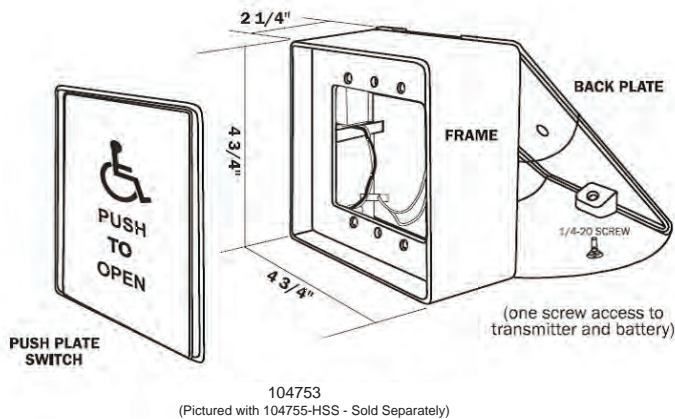
Accessories

- 104752 Multi-Mode Dual Receiver
- 104739 Jamb Mount Push Plate (used with 104753-J Box/Transmitter)
- 104752-RXM Multi-Mode Receiver with RXM
- 104742 4 1/2" Round Push Plate (used with 104753-R4, 104753-STX-R4)
- 104743 6" Round Push Plate (used with 104753-R6, 104753-STX-R6)
- 104744 Vestibule Double Push Plate (used with 104753-V Box/Transmitter)
- 104755 4 1/2" Square Push Plate (used with 104753, 104753-STX)

Technical Information

- Power Requirements: 9V Battery
- Temperature Range -4°F to 140°F (-20°C to 60°C)
- 300 MHz: Compatible with Multicode™ products
- 390 MHz: Compatible with MS SEDCO and GENIE™ products
- Physical Size: 2 1/4"W x 2 1/4"D x 2"H
- Weight: 1.46 lbs. (663g)

Dimensions



Listings and Approvals




Building Hardware
Manufacturers Association
(BHMA) - ANSI/BHMA
A156.10 & A156.19

FCC

US Patent 7,545,833

Warranty

1 Year Limited Manufacturer's
Warranty

 Cancer & Reproductive Harm - www.detex.com/prop65

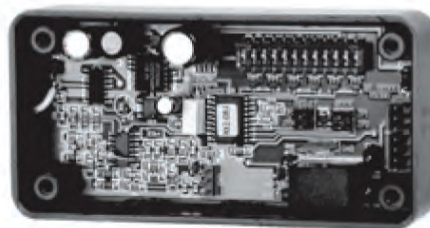
Where Trust is Built™
DETEX®
Life Safety, Security and Security Assurance

Detex Corporation
302 Detex Drive
New Braunfels, Texas 78130-3045 USA
PH. (830) 629-2900
(800) 729-3839
FAX (800) 653-3839
<http://www.detex.com>
USA Sales:
marketing@detex.com
International Sales:
export@detex.com

AO19 **SERIES**[®]

AO19 Activation Accessories Multi-Mode Wireless Receiver

The 104752 Wireless Receiver provides the most reliable wireless activation of automatic doors available.



Benefits

- Utilizes Proprietary High Definition Radio Control™ (HDFRC™) for unsurpassed signal transmission clarity.

Features

- The 104752 can also be used interchangeably with other manufacturer's products that operate on its frequencies.
- The 104752 accepts three different frequencies: HDFRC, 300MHz, 390MHz.
- 104752 can be easily programmed to become a timer, dual receiver or a sequencing receiver.

Electrical Options

- Mode 1: Standard Receiver (factory setting)
- Mode 2: Receiver with Adjustable Time Delay
- Mode 3*: Dual Channel Receiver
- Mode 4*: Receiver With Sequenced Outputs
- Mode 5**: Receiver with Ratchet Relay

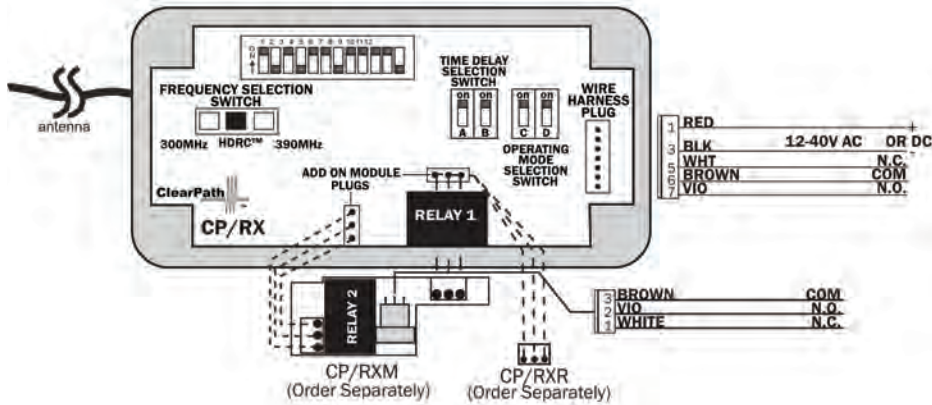
*Modes 3 & 4 require the RXM Add-On Module. This Module plugs directly onto the CP/RX main circuit board and provides a second output.

**Mode 5 requires the RXR Add-On Module. The Module plugs directly onto the CP/RX main circuit board and allows for initial signal to hold relay closed until a second signal is received.

Technical Information

- Power Requirements: 12V to 24V AC or DC
- Temperature Range: -22°F to 158°F (-30°C to 70°C)
- 390 MHz: Compatible with MS SEDCO and GENIE™ products
- Relay Contact Rating: 3 amp @ 24V AC
- Weight: <0.25 lbs.
- 300 MHz: Compatible with Multicode™ products
- Physical size: 4"L x 2"W x 1"H

Dimensions



Listings and Approvals



American National Standards Institute (ANSI)



Building Hardware Manufacturers Association (BHMA) - ANSI/BHMA A156.10 & A156.19

FCC

US Patent 7,545,833

Warranty

1 Year Limited Manufacturer's Warranty

Where Trust is Built™

DETEX®

Life Safety, Security and Security Assurance

Detex Corporation
302 Detex Drive
New Braunfels, Texas 78130-3045 USA

PH. (830) 629-2900

(800) 729-3839

FAX (800) 653-3839

http://www.detex.com

USA Sales:

marketing@detex.com

International Sales:

export@detex.com



Cancer & Reproductive Harm - www.detex.com/prop65

AO19 **SERIES**[®]

AO19 Safety Presence Sensor FRM-AI Presence Sensor

The 104790 sensor is a 4-row presence sensor designed to provide safety protection for all types of automatic doors. The 104790 is based upon the most reliable active infrared (AI) technology available - Floor Reflection Method (FRM).



Benefits

- One sensor covers any safety zone application.
- There is no lens or zone masking required.
- All adjustments are available without the use of proprietary set-up devices.
- SafePath Maximum Pattern Infrared (MPI™) sensors use more beams than other manufacturers and provide a level of safety not found in other standalone infrared sensors.
- The pattern width and depth are both mechanically adjustable. In addition the depth can be altered electronically from 5 to 2 rows.

Features

- Up to 32 detection zones.
- Electronic depth adjustment from 1 to 4 rows (also 0° to 10° tilt settings)
- Four Presence Timer and frequency settings
- Mount up to 10' (3m) high.
- Quick-connect wiring (harness included)
- Sensitivity Adjustment Variable (via potentiometer)
- Mechanical width settings (from 36" to over 7')

Accessories

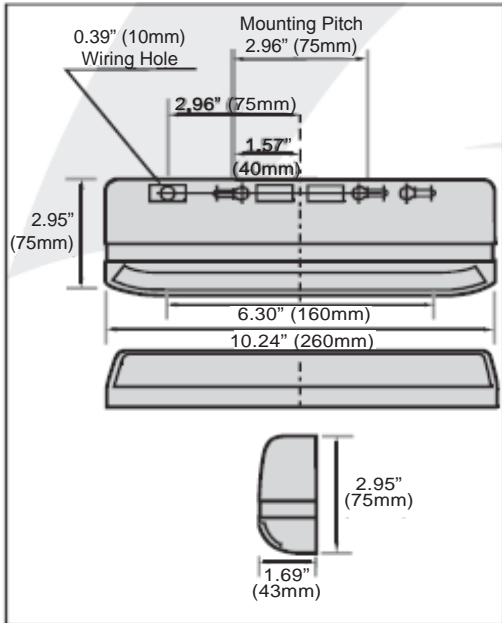
- Cable: 10 ft. (3m)
- Rain cover available (contact factory)

Technical Information

- Temperature Range: -4°F to 140°F (-20°C to 60°C)
- 12V to 24V AC or DC operation
- Weight: approx. 0.8 lbs. (0.35 kg)

- Form C Dry Relay Contact (N.O., COM, N.C.)

Dimensions



Listings and Approvals



American National Standards Institute (ANSI)



Building Hardware Manufacturers Association (BHMA) - ANSI/BHMA A156.10 & A156.19

Enclosure Rating IP54 (IEC60529)


CE

Warranty

1 Year Limited Manufacturer's Warranty

Where Trust is Built™
DETEX®
Life Safety, Security and Security Assurance

Detex Corporation
302 Detex Drive
New Braunfels, Texas 78130-3045 USA
PH. (830) 629-2900
(800) 729-3839
FAX (800) 653-3839
<http://www.detex.com>
USA Sales:
marketing@detex.com
International Sales:
export@detex.com

 Cancer & Reproductive Harm - www.detex.com/prop65

AO19 **SERIES**

AO19 Safety Presence Sensor Swing Door Mounted Presence Sensor

The Detex 105395 is a door-mounted presence sensor designed to provide safety protection for any swing, bi-fold, revolving and low-energy automatic doors.



Benefits

- The presence sensor mounts on either side or both sides of a door panel, depending upon the application.
- On swing doors, while the door is opening, the presence sensor will sense and protect a person in its path and either slow or stop the door.
- When the door is closing, the presence sensor will sense a person in its path and reopen the door.
- The presence sensor combines the most reliable active infrared technology available with Position Sensitive Detection (PSD) technology found in auto-focus cameras to ensure the precise pedestrian detection within the path of a moving door panel.
- The detection area width can be increased by inserting additional PSD sensor modules into the 34 1/2" long extruded aluminum housing.
- The presence sensor mounts near the top of the door panel out of harm's way. PSD sensor technology automatically focuses the sensor lenses to dipswitch-controlled height settings.
- Each sensor module's detection zone can be adjusted independently.

Features

- Detection Method: Active Infrared with Position Sensitive Detection (PSD)
- Max. Installation Height: 8'6" (2.6m)
- Detection Range: 0'-7'10" (0-2.4m)
- Range Adjustment: 4'7" (1.4m), 5'3" (1.6m), 5'11" (1.8m), 6'7" (2.0m), 7'3" (2.2m), 7'10" (2.4m)
- Presence Timer: Infinity
- Beam Angle Adjustment: 5°, 10°, 15°, 20°, 25°
- Power Supply: 12-24 VAC or VDC ± 10%

Accessories

- The 105395-1 contains a single PSD sensor module and is ideal for low-energy doors.

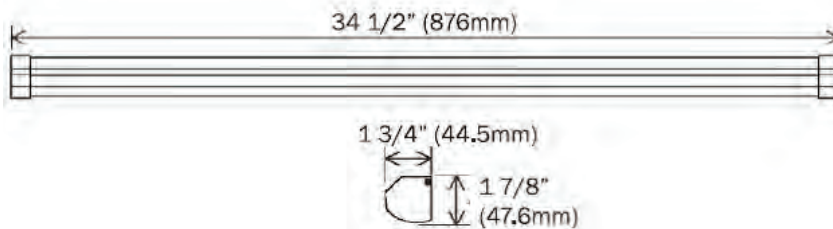
Technical Information

- Power Consumption (per sensor module): AC12V-1.1VA, DC12V-60mA, AC24V-1.6VA, DC24V-35mA
- Weight: 1.8 lbs. (0.8kg)
- Output contact: Form C Relay; DC50V 0.1A Non Voltage 1C
- Temperature Range: -4°F to 140°F (-20°C to 60°C)
- Response time: <50ms
- Delay Hold Time: 0.5, 1, 2, 4.5 sec

Riser Diagram



Dimensions



Listings and Approvals




American National Standards Institute (ANSI)



Building Hardware Manufacturers Association (BHMA) - ANSI/BHMA A156.10 & A156.19, A156.27

Warranty

1 Year Limited Manufacturer's Warranty

 Cancer & Reproductive Harm - www.detex.com/prop65

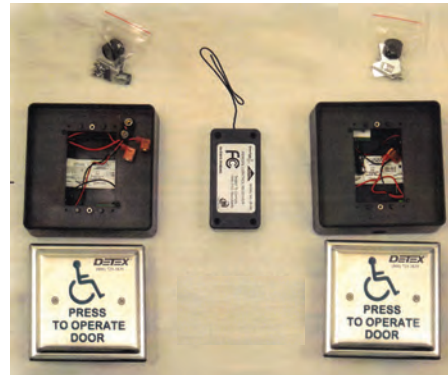
Where Trust is Built™
DETEX®
Life Safety, Security and Security Assurance

Detex Corporation
302 Detex Drive
New Braunfels, Texas 78130-3045 USA
PH. (830) 629-2900
(800) 729-3839
FAX (800) 653-3839
<http://www.detex.com>
USA Sales:
marketing@detex.com
International Sales:
export@detex.com

AO19 SERIES®

AO19 Complete Wireless Activation Package 59 Series 4 1/2" Square Push Plate Switches

The 104792 ClearPath Turnkey Radio Control Packages contain switches, transmitters, surface-mounting boxes, and receivers for common low energy automatic openings.



Benefits

- The 104755 Series push plate switches are designed to provide reliable activation of any automatic door
- Utilizes Proprietary High Definition Radio Control™ (HDRC™) For Unsurpassed Signal Transmission Clarity
- The CP/RX and CP/TX can also be used interchangeably with other manufacturer's products that operate on its frequencies
- Durable finishes.
- Each unit is built utilizing heavy gauge stainless steel, aircraft quality rivets and screws
- The most reliable microswitch in the industry
- The CP/RX and CP/TX accepts three different frequencies. HDRC, 300MHz, 390MHz
- CP/RX can be easily programmed to become a timer, dual receiver or a sequencing receiver
- Two piece mounting boxes are designed to make installation and battery replacement quick and easy for wireless applications
- The CP/TX transmitter comes prewired and installed with 9V battery in a surface mount box
- Utilizes Proprietary High Definition Radio control™ (HDRC™) For Unsurpassed Signal Transmission Clarity
- Three User Selectable Frequencies Available In Single Unit: HDRC™, 300 MHz, 390 MHz
- FCC License For All Three Frequencies
- SignalLock™ Guarantees Signal Transmission When Push Plate Switch Is Pressed
- Power Saving Circuitry Extends Battery Life
- Integrated Signal Radiating Antenna Boosts Signal Strength

Features

- The 104792 package features (2) 4" square face plates in stainless steel. (104755)
- Includes tamper-resistant screws
- 4" x 4" All Active Face Plate
- H 4 1/2" x 4 1/2" Formed Stainless Steel Back Plate
- Rubber "Bellows" Increases Weather Protection (included)
- Includes Surface Mount Box with Standard Transmitter. (104753)
- Includes Standard receiver. (104752)

Electrical Options

- The 104792 package features (2) 4" square face plates in stainless steel.(104755)
- Includes tamper-resistant screws.
- 4" x 4" All Active Face Plate.
- H 4 1/2" x 4 1/2" Formed Stainless Steel Back Plate.
- Rubber "Bellows" Increases Weather Protection (included).
- Includes Surface Mount Box with Standard Transmitter. (104753)
- Includes Standard receiver. (104752)

Accessories

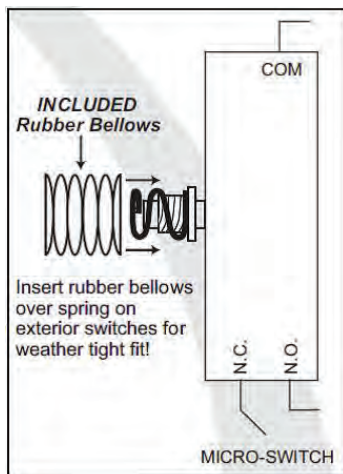
- 104753 Mounting Box with Transmitter



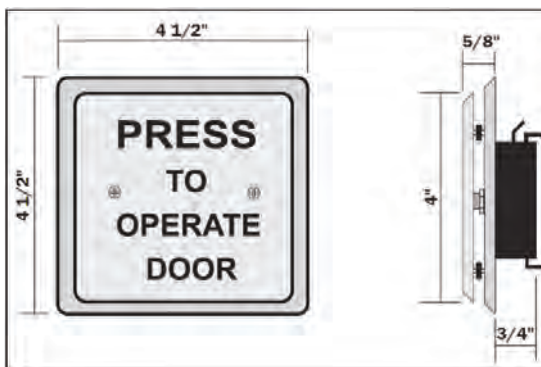
Technical Information

- 4" x 4" All Active Face Plate
- 4 1/2" x 4 1/2" Formed Stainless Steel Back Plate
- UL Listed Momentary Switch, SPDT, 15 Amp @ 125V AC
- Output Contact: Form C, Rated At 3 Amps
- Power Requirements: 12V-24V AC or DC
- Relay Contact Rating: 3 amp @ 24V AC
- Temperature Range: -4°F to 40°F (-20°C to 60°C)
- 300 MHz: Compatible with Multicode™ products
- 390 MHz: Compatible with MS SEDCO and GENIE™ products
- Weight: <0.25 lbs.
- Physical Size 4"L x 2"W x 1"H
- Power Requirements: 9V Battery
- Relay Contact Rating: 3 amp @ 24V AC
- Temperature Range: -4°F to 40°F (-20°C to 60°C)
- 300 MHz: Compatible with Multicode™ products
- 390 MHz: Compatible with MS SEDCO and GENIE™ products
- Physical Size 2 1/4"W x 2 1/4"D x 2"H
- Weight: 1.46 lbs. (663g)

Riser Diagram



Dimensions



Listings and Approvals



American National Standards Institute (ANSI)

Building Hardware Manufacturers Association (BHMA) - ANSI/BHMA A156.10 & A156.19



UL Approved Switches



Warranty

1 Year Limited Manufacturer's Warranty

Cancer & Reproductive Harm - www.detex.com/prop65

Where Trust is Built™
DETEx®
Life Safety, Security and Security Assurance

Detex Corporation
 302 Detex Drive
 New Braunfels, Texas 78130-3045 USA
 PH. (830) 629-2900
 (800) 729-3839
 FAX (800) 653-3839
<http://www.detex.com>
 USA Sales:
marketing@detex.com
 International Sales:
export@detex.com

AO19 **SERIES**

AO19 Activation Switches Keyswitch Push Plate Combination

The CS-4730 Series heavy-duty keyswitches are used to momentarily activate low-voltage electrical devices or turn them on/off. They are commonly used to turn an operator or any activation device on and off and provide for secure activation of an automatic door.



Benefits

- The CS-4730 Series push plate switches are designed to provide reliable activation of any automatic door.
- Rubber bellows included for push plate switch for weather protection.
- Wiring is made simple with a pluggable wiring harness.
- The CS-4730 Series fit 2-gang electrical boxes with no adapters necessary.
- The keyswitch and push plate switch can be set up to work independently, or the cylinder can be used as an economical way to secure the push plate switch in after-hours applications.

Features

- The CS-4730 combo switches feature a key cylinder along with a 104739 faceplate.
- Operates with 1 1/8"-1 1/4" mortise cylinder with Adams-Rite cam.
- Includes tamper-resistant screws.

Electrical Options

- Radio Control Versions Available

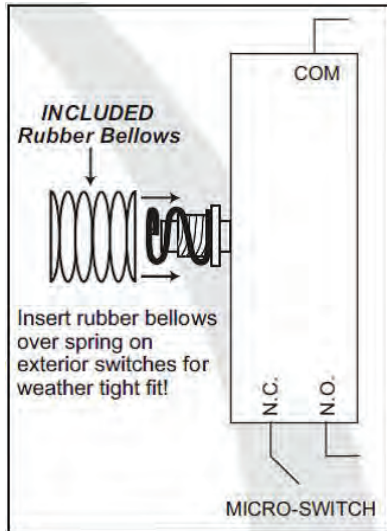
Accessories

- 104739-HSS Push Plate
- 104739-H Push Plate
- Fits 2-gang Electrical Box or 104738-1015 Surface Mount Box
- 104739-WSS Push Plate

Technical Information

- 4" x 4" All Active Face Plate
- 4 1/2" x 4 1/4" Formed Stainless Steel Back Plate.
- UL Listed Momentary Switch, SPDT, 15 Amp @ 125V AC
- Rubber "Bellows" increases weather protection (included)

Riser Diagram



Listings and Approvals



American National Standards Institute (ANSI)



Building Hardware Manufacturers Association (BHMA) - ANSI/BHMA A156.10 & A156.19

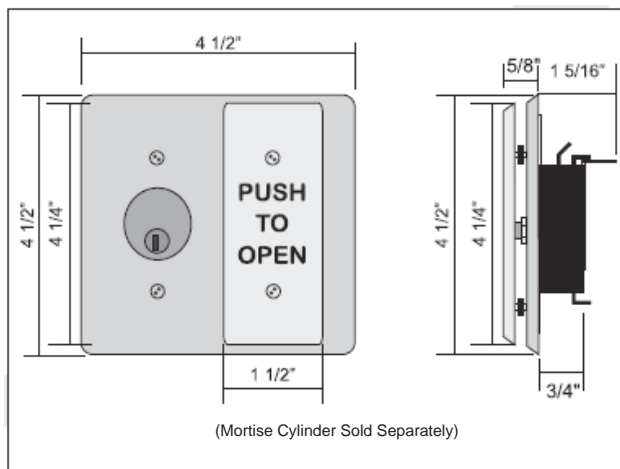


UL Approved Switches

Warranty

1 Year Limited Manufacturer's Warranty

Dimensions



Where Trust is Built™
DETEX®
Life Safety, Security and Security Assurance

Detex Corporation
302 Detex Drive
New Braunfels, Texas 78130-3045 USA
PH. (830) 629-2900
(800) 729-3839
FAX (800) 653-3839
<http://www.detex.com>
USA Sales:
marketing@detex.com
International Sales:
export@detex.com

Cancer & Reproductive Harm - www.detex.com/prop65

Life Safety and Security Door Hardware



EXIT CONTROL LOCKS

ECL-230D, ECL-230D-PH

Exit Control Hardware

The ECL-230 is a **code compliant, battery alarmed, rugged dead bolt**, panic device with **steel plate and photo-luminescent sign** providing managed security and a **100 decibel alarm** for **secondary exits**.



Benefits

- Attack resistant design withstands over 2200 lbs. of outside pull force
- Proven durability and reliability at a reasonable price
- Reduces employee and customer theft
- Easy to install
- Time tested construction resists attack from the inside
- Durable steel plate with photo luminescent sign absorbs light to then “glow in the dark” when lights are dimmed
- Easy to see if the lights go out
- Straightforward operation that everyone understands

Features

- Single point, 1" throw dead bolt
- Saw resistant dead bolt
- Corrosion resistant alloy lock body
- 100 decibel alarm, powered by 9-volt battery (included)
- Accepts 5-pin through 7-pin standard and interchangeable core rim cylinders
- Resetting the alarm can only be accomplished with a control key
- Non-handed
- Locking and unlocking the dead bolt always arms and disarms the alarm

Mechanical Options

- Gray Finish (Std.)
- English Push Plate Sign (Std.)
- Other Languages available (call factory for details)
- For Panic Hardware on 36" doors see ECL-230D-PH
- Fire-Rated Option see ECL-600
- ECL-437K - Surface Strike (Std.)

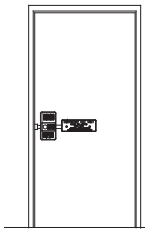
Accessories

- ECL-436K for ECL-230D, ECL-2100K for ECL-230D-PH - Bar Guard Kit - to protect end of bar, when required by code
- RC65 - Rim Cylinder, Schlage "C" Keyway with 2 keys
- ECL-1595 - Cylinder Collar required for 6 or 7 pin cylinders
- VRA-143 - Vertical Rod Assembly provides 2 point locking (see VRA-143 product sheet)
- BE-961-2 - Hard wired Conversion Kit, eliminates battery
- ECL-435K - Adjustable Surface Keeper Bracket for some double door applications
- ECL-475 - Decorative back plate for use on narrow stile doors

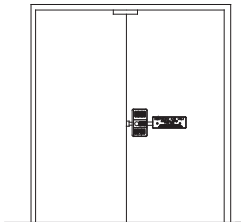
Technical Information

- Door Types - Wood, Hollow Metal or Aluminum
- Door Thickness - Fits standard 1-3/4" - 2-1/4"
- Minimum standard door width for ECL-230D is 20"
- Minimum standard door width for ECL-230D-PH is 34"
- Double Door requirements:
 - (1) ECL-230
 - (1) RC65
 - (1) ECL-435K
 - (1) DDH-2250 } or (1) VRA-143
 - or
 - (2) ECL-230D
 - (2) RC65
 - (1) 90KR
- Door Stile - Fits minimum 5-3/4" with ECL-437K Strike (Std.)
- Door Stile - Fits minimum 1-7/8" with ECL-475 Kit
- Machine and Sheet Metal Screws (Std.)
- Optional Sex Nuts or Security Torx Screws Available

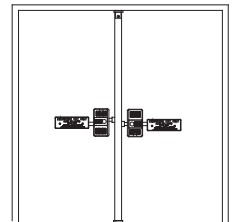
Riser Diagram



Single Door

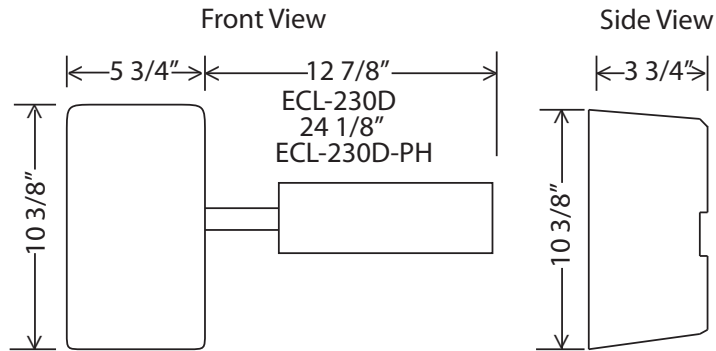


Double Doors with DDH-2250 Double Door Holder Adjustable Keeper (ECL-435K)



Double Doors with Key Removable Mullion Vertical Rod Assemblies also available (Part #VRA-143)

Dimensions



Listings and Approvals

- UL Listed Panic Hardware 988N-Grade 3 LISTED
- Meets ADA requirements
- Meets NFPA 101 for Life Safety, CA Title 19 & { Only ECL-230D-PH
- ANSI/BHMA requirements for all Building Codes
- California State Fire Marshall - 4140-0127:102

Detex Limited Warranty

10 Year Limited Manufacturers Warranty



Detex Corporation
 302 Detex Drive
 New Braunfels, Texas 78130-3045 USA
 PH. (830) 629-2900
 (800) 729-3839
 FAX (800) 653-3839
<http://www.detex.com>
 USA Sales:
marketing@detex.com
 International Sales:
export@detex.com

Cancer & Reproductive Harm - www.detex.com/prop65

ECL-230X HOW TO ORDER

DEVICE CONFIGURATION

For standard Single Point Deadbolt only, leave blank

- TD** = 2 point Top Bolt & Deadbolt
- TB** = 2 point Top Bolt & Bottom Bolt
- TDB** = 3 point Top Bolt, Deadbolt & Bottom Bolt
- W** = Weatherized, Single Point Deadbolt only
- W-TD** = Weatherized, 2 point Top Bolt & Deadbolt
- W-TB** = Weatherized, 2 point Top Bolt & Bottom Bolt
- W-TDB** = Weatherized, 3 point Top Bolt, Deadbolt & Bottom Bolt

CYLINDER

If cylinder provided by others, leave blank

- IC7R** = Rim Cylinder(s) SFIC housing
- IK7R** = Rim Cylinder(s) InstaKey housing
- RC65** = Rim Cylinder(s) 6 pin/Keyed 5

STRIKE

Leave blank for standard strike or hurricane rated

- 96B** = Dust Proof Strike (for TB & TDB only)
- DDSK** = Double Door Strike Kit (not compatible with TB)
- 96B-DDS** = Dust Proof Strike & Double Door Strike (for TDB only)

ROD COVERS (TB, TD, TDB ONLY)

For no rod covers, leave blank

- RC** = Rod Covers
- BG** = Bottom Bolt Guard
- RC-BG** = Rod Covers & Bottom Bolt Guard

HURRICANE RATING

For no hurricane rating, leave blank
H- = Hurricane rating (available on single point and 3 point only)

HINGE BOLTS

For no hinge bolts, leave blank

- DX1** = Single Hinge Bolt
- DX2** = Double Hinge Bolts
- DX3** = Triple Hinge Bolts

DOOR WIDTH

For 3'0" or 4'0" door, leave blank
30 = Fits 30" Wide Door

COVER SECURITY

For no cover security, leave blank

- CL** = Cover Lock
- SS** = Security Screws
- CL-SS** = Cover Lock & Security Screws



TRIM PLATE

For no trim plate, leave blank

- 03T** = Trim Plate with OKC
- 01T** = Trim Plate without OKC
- 03PP** = Pull Plate with OKC
- 01PP** = Pull Plate without OKC

DOOR HEIGHT (TB, TD, TDB ONLY)

- 84"** = Fits 6'8" to 7' Door *
- 96"** = Fits 7' to 8' Door
- 120"** = Fits 8' to 10' Door

INSIDE PULL

For no inside pull, leave blank

- IP** = Inside Pull

ACCESSORIES

For no accessories, leave blank
SN1 = Sex Nut Kit

ECL-230D RETROFIT KIT

If retrofit not required, leave blank

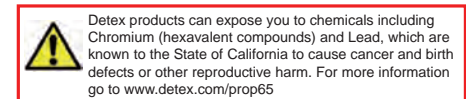
- RK** = ECL-230D RetroFit Kit (End-cap plate and lock-body plate)

SIGNAGE - LANGUAGE

For English sign, leave blank

- RWS** = Spanish Sign
- RWC** = Chinese Sign (Red & White)

NOTE: * = default
 Contact factory for availability of combined options

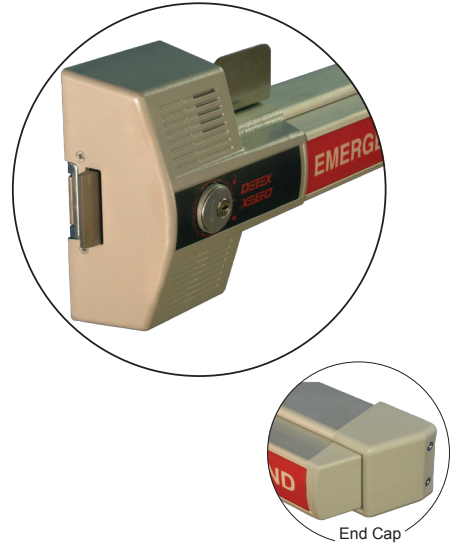


EXIT CONTROL LOCKS

ECL-230X (Dead Bolt)

Exit Control Hardware

The ECL-230X is a code compliant, battery alarmed, rugged dead bolt, panic device with photo-luminescent sign providing maximum security and a 100 decibel alarm for secondary exits.



Benefits

- Attack resistant design for maximum holding force
- One size fits 36"-48" doors for code compliant acceptance
- Proven durability and reliability at a reasonable price
- For additional security with 4 locking points, specify ECL-230X-DX3
- Easy to install
- Reduces employee and customer theft
- Easy to see if the lights go out
- Straightforward operation that everyone understands
- Time tested construction resists attack from the inside

Features

- Dead bolt lock -1" throw with just over 3/4" engagement with the frame
- Accepts 5-pin through 7-pin standard and interchangeable core rim cylinders without using cylinder collar
- Non-handed
- Saw resistant dead bolt
- Durable photo-luminescent sign absorbs light to then "glow in the dark" when lights are dimmed
- Low profile meets International Building Code requirement allowing for 4" maximum projection off face of door
- Corrosion resistant alloy lock body
- Locking and unlocking (dead bolt) always arms and disarms the alarm
- Resetting the alarm can only be accomplished with a control key
- 100 decibel alarm, powered by 9-volt battery (included)
- For 9VDC hardwiring add BE-961-1 or BE-961-2
- Surface/flush reversible strike

Mechanical Options

- H - Hurricane Rated
- CL-SS - Cover Lock & Security Screws
- 01T - Trim Plate
- DDSK - Double Door Strike Kit
- Add hinge side protection with 3/4" frame engagement
- 01PP - Pull Plate
- BE-961 - Hardwired Conversion Kit, eliminates battery (sold separately)
- -DX1 - one hinge bolt for 4 locking points
- -DX2 - two hinge bolts for 5 locking points
- -DX3 - three hinge bolts for 6 locking points
- 03T - Trim Plate
- IP - Inside Pull
- 30 - Fits 30" wide door
- 03PP - Pull Plate
Note: Rim cylinder required for 03 Trims (sold separately)
- SN1 - Sex Nut Kit
- IC7R - Interchangeable core housing installed in Lock & or Trim
- RK - ECL-230D RetroFit Kit (Endcap plate & lock-body plate)
- English Push Plate Sign (Std.)
- IK7R - InstaKey Cylinder installed in Lock & or Trim
- RC - Rod Covers
- RWS - Spanish Sign
Other Languages available (call factory)
- RC65 - Rim Cylinder, Schlage "C" Keyway with 2 keys installed in Lock & or Trim
- BG - Bottom Bolt Guard
- CL - Cover Lock
- RC-BG - Rod Covers & Bottom Bolt Guard
- SS - Security Screws

Technical Information

- Door Types - Wood, Hollow Metal
- Double Door requirements:
 - (1) ECL-230X
 - (1) RC65
 - (1) DDSK
 - (1) DDH-2250 or
 - (2) ECL-230X
 - (2) RC65
 - (1) 90KR
- Door Thickness - Fits standard 1-3/4" - 2-1/4"
- Standard Device fits 36"-48" door
- Optional Device fits 30"-36" door
- Machine and Sheet Metal Screws (Std.)
- Optional Sex Nuts or Security Torx Screws Available

Detex Recommendations For Commercial Outswinging Doors

- Commercial Heavy duty door and frame, anchored to concrete wall & floor
 - Minimum 16 gauge door and frame, reinforced for multi-lock exit device
- Full length, heavy duty hinge (provided by installer)
- Full length, heavy gauge steel astragal (provided by installer)
- Detex H-ECL-230X-DX3-SN1 with flush strike install, code compliant alarmed panic device
 - Hurricane rated hardware provides superior fasteners and reinforced push pad that helps prevent break-in
 - Flush Strike Installation provides superior holding force with maximum bolt penetration into the frame (see install instructions)
 - DX3 - 3 hinge side bolts that protect against hinge attack
 - SN1 - Sex Nuts / through bolts provide superior installation
- Hardened / reinforced steel plate installed on interior door skin, prevents drilling through door (provided by installer)
- Burglar alarm contact placed on inside, bottom or low on the door, to trigger burglar alarm when door is peeled / pried upward (inquire with burglar alarm company)



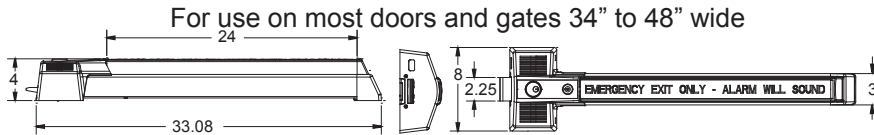
Push Side

Pull Side

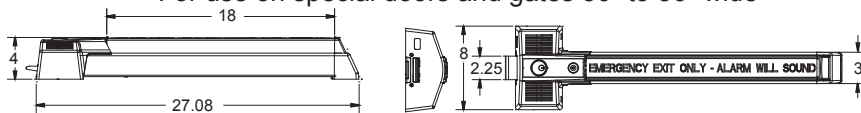
Note: Above recommendations are for a single door, but if used on a pair of doors, include a heavy gauge steel center

For more suggestions on Break-In Prevention, visit www.detex.com/lcopqanpeo

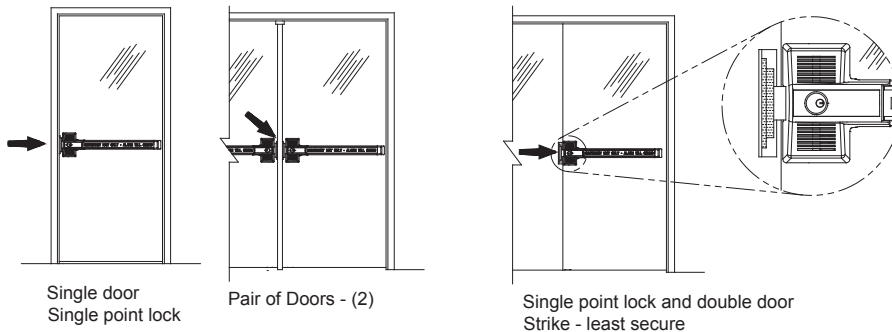
Dimensions



For use on special doors and gates 30" to 36" wide



Riser Diagram



Single door
Single point lock

Pair of Doors - (2)

Single point lock and double door
Strike - least secure

Listings and Approvals



UL 305 Listed
Panic Hardware

UL1034-34 Temperature Section 34
[Temperature Range -31° F (-35° C) to
150° F (+66° C)]

UL 1034-54 Dust Section 54



Meets ADA Requirements



Meets NFPA 101 for Life Safety,
CA Title 19



ANSI/BHMA A156.3 Grade 2
requirements for all
Building Codes



California State Fire Marshall -
4140-0127:102

Meets International Building Code



Hurricane Listed (H)
Miami-Dade County, Florida
NOA 15-0603.15 EXP 11/28/18

Detex Limited Warranty

10 Year Limited Manufacturer's
Warranty

Where Trust is Built™

DETEX®
Life Safety, Security and Security Assurance

Detex Corporation
302 Detex Drive
New Braunfels, Texas 78130-3045 USA
PH. (830) 629-2900
(800) 729-3839
FAX (800) 653-3839
<http://www.detex.com>
USA Sales:
marketing@detex.com
International Sales:
export@detex.com

⚠ Cancer & Reproductive Harm - www.detex.com/prop65

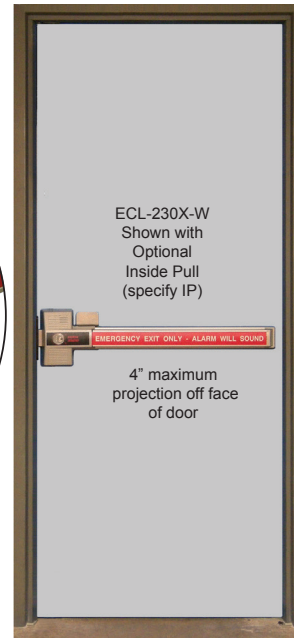
EXIT CONTROL LOCKS

ECL-230X-W (Weatherized Dead Bolt)

Exit Control Hardware

The ECL-230X-W is a **code compliant, battery alarmed, rugged dead bolt**, panic device with **photo-luminescent sign** providing maximum security and a **100 decibel alarm** for **secondary exits**.

This device conforms to UL1034-34 Temperature Section 34, UL1034-54 Dust Section 54, MIL-STD 810F, Method 506.4 (driving rain test); MIL-STD 810F and Method 509.4 (salt fog test).



Benefits

- Attack resistant design for maximum holding force
- Weather resistant design for use in outdoor or wet environments
- Proven durability and reliability at a reasonable price
- Easy to install
- Reduces employee and customer theft
- Time tested construction resists attack from the inside
- One size fits 36"-48" doors for code compliant acceptance
- For additional security with 4 locking points, specify ECL-230X-W-DX3
- Easy to see if the lights go out
- Straightforward operation that everyone understands

Features

- Dead bolt lock -1" throw with just over 3/4" engagement with the frame
- Saw resistant dead bolt
- Corrosion resistant alloy lock body
- 100 decibel alarm, powered by 9-volt battery (included)
- Surface/flush reversible strike
- Accepts 5-pin through 7-pin standard and interchangeable core rim cylinders without using cylinder collar
- Durable photo-luminescent sign absorbs light to then "glow in the dark" when lights are dimmed
- Locking and unlocking (dead bolt) always arms and disarms the alarm
- Non-handed
- Low profile meets International Building Code requirement allowing for 4" maximum projection off face of door
- Resetting the alarm can only be accomplished with a control key
- For 9VDC hardwiring add BE-961-1 or BE-961-2

Mechanical Options

- Gray Finish (Std.)
Note: Contact factory for additional finishes
- H - Hurricane Rated
- 30 - Fits 30" wide door
- DX1 - Add hinge side protection with one hinge bolt for 2 locking points (3/4" frame engagement)
- DX2 - Add hinge side protection with two hinge side bolts for 3 locking points (3/4" frame engagement)
- DX3 - For maximum hinge side protection add three hinge side bolts for 4 locking points (3/4" frame engagement)
- English Push Plate Sign (Std.)
- RWS - Spanish Sign
- Other Languages available (call factory for details)

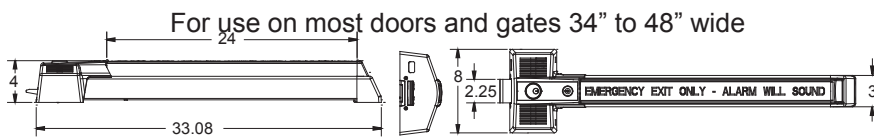
Mechanical Options Continued

- 03T - Trim Plate
- 03PP - Pull Plate
Rim cylinder required for 03 Trims (sold separately)
- 01T - Trim Plate
- 01PP - Pull Plate
- IC7R - Interchangeable core housing installed in Lock & or Trim
- IK7R - InstaKey Cylinder installed in Lock & or Trim
- RC65 - Rim Cylinder, Schlage "C" Keyway with 2 keys installed in Lock & or Trim
- IP - Inside Pull
- DDSK - Double Door Strike Kit
- SN1 - Sex Nut Kit
- CL - Cover Lock
- SS - Security Screws
- CL-SS - Cover Lock & Security Screws
- RK - ECL-230D RetroFit Kit (End-cap plate & lock-body plate)
- BE-961 - Hardwired Conversion Kit, eliminates battery (Sold Separately)
NOTE: BE-961 is not weatherized, protect with NEMA enclosure.

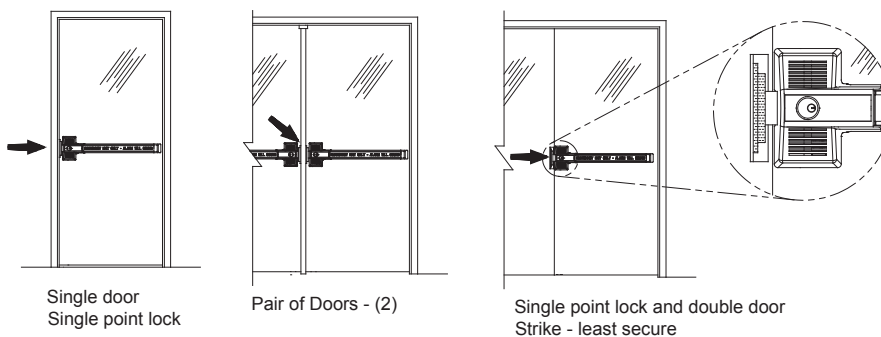
Technical Information

- Door Types - Wood, Hollow Metal
- Door Thickness - Fits standard 1-3/4" - 2-1/4"
- Standard Device fits 36"-48" door
- Optional Device fits 30"-36" door
- Double Door requirements:
(1) ECL-230X-W
(1) RC65
(1) DDSK
(1) DDH-2250
or
(2) ECL-230X-W
(2) RC65
(1) 90KR
- Machine and Sheet Metal Screws (Std.)
- Optional Sex Nuts or Security Torx Screws Available

Dimensions



Riser Diagram



Listings and Approvals



UL 305 Listed
Panic Hardware

UL1034-34 Temperature Section 34
[Temperature Range -31° F (-35° C) to
150° F (+66° C)]

UL 1034-54 Dust Section 54



Meets ADA Requirements



Meets NFPA 101 for Life Safety,
CA Title 19



ANSI/BHMA A156.3 Grade 2
requirements for all
Building Codes



California State Fire Marshall -
4140-0127:102

Meets International Building Code



Hurricane Listed (H)
Miami-Dade County, Florida
NOA 15-0603.15 EXP 11/28/18

Detex Limited Warranty

10 Year Limited Manufacturer's
Warranty

Where Trust is Built™

DETEX®
Life Safety, Security and Security Assurance

Detex Corporation
302 Detex Drive
New Braunfels, Texas 78130-3045 USA
PH. (830) 629-2900
(800) 729-3839
FAX (800) 653-3839
<http://www.detex.com>
USA Sales:
marketing@detex.com
International Sales:
export@detex.com

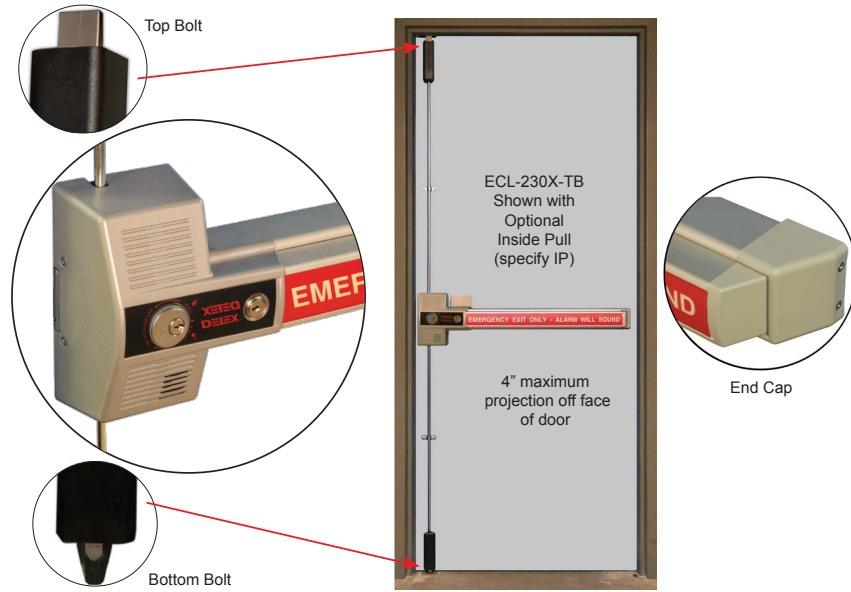
⚠ Cancer & Reproductive Harm - www.detex.com/prop65

EXIT CONTROL LOCKS

ECL-230X-TB (Top and Bottom Bolt)

Exit Control Hardware (Double Door Application)

The ECL-230X-TB is a **code compliant, battery alarmed, rugged 2-point dead bolt, panic device with photo-luminescent sign** providing maximum security and a **100 decibel alarm for secondary exits.**



Benefits

- Attack resistant design for maximum holding force
- Proven durability and reliability at a reasonable price
- Easy to install
- Reduces employee and customer theft
- Time tested construction resists attack from the inside
- One size fits 36"-48" doors for code compliant acceptance
- For additional security with 5 locking points, specify ECL-230X-TB-DX3
- Easy to see if the lights go out
- Straightforward operation that everyone understands

Features

- 2-point, 3/4" throw top and bottom locks with just over 5/8" engagement with the strike
- Corrosion resistant alloy lock body
- 100 decibel alarm, powered by 9-volt battery (included)
- Surface/flush reversible strike
- CL - Cover Lock
- Accepts 5-pin through 7-pin standard and interchangeable core rim cylinders without using cylinder collar
- Durable photo-luminescent sign absorbs light to then "glow in the dark" when lights are dimmed
- Locking and unlocking (dead bolt) always arms and disarms the alarm
- Non-handed
- Low profile meets International Building Code requirement allowing for 4" maximum projection off face of door
- Resetting the alarm can only be accomplished with a control key
- For 9VDC hardwiring add BE-961-1 or BE-961-2

Mechanical Options

- Gray Finish (Std.)
Note: Contact factory for additional finishes
 - H - Hurricane Rated
 - 84" - Fits 6'8" to 7' door
 - 96" - Fits 7' to 8' door
 - 120" - Fits 8' to 10' door
 - 30 - Fits 30" wide door
 - SS - Security Screws
 - CL-SS - Cover Lock & Security Screws
 - IP - Inside Pull
 - DX1 - Add hinge side protection with one hinge bolt for 3 locking points (3/4" frame engagement)
 - DX2 - Add hinge side protection with two hinge side bolts for 4 locking points (3/4" frame engagement)
 - DX3 - For maximum hinge side protection add three hinge side bolts for 5 locking points (3/4" frame engagement)
 - SN1 - Sex Nut Kit
 - English Push Plate Sign (Std.)
 - RWS - Spanish Sign
- Other Languages available (call factory for details)
- RC - Rod Covers
 - BG - Bottom Bolt Guard
 - RC-BG - Rod Covers & Bottom Bolt Guard

Mechanical Options Continued

• 03T - Trim Plate

• 03PP - Pull Plate

Rim cylinder required for 03 Trims
(sold separately)

• 01T - Trim Plate

• 01PP - Pull Plate

• IC7R - Interchangeable core housing installed in Lock & or Trim

• IK7R - InstaKey Cylinder installed in Lock & or Trim

• RC65 - Rim Cylinder, Schlage "C" Keyway with 2 keys installed in Lock & or Trim

• 96B - Dust Proof Strike

• DDSK - Double Door Strike Kit

• 96B-DDS - Dust Proof Strike & Double Door Strike

• RK - ECL-230D RetroFit Kit (End-cap plate & lock-body plate)

• BE-961 - Hardwired Conversion Kit, eliminates battery (sold separately)

Technical Information

• Door Types - Wood, Hollow Metal

• Door Thickness - Fits standard
1-3/4" - 2-1/4"

• Standard Device fits 36"-48" door

• Optional Device fits 30"-36" door

• Double Door requirements:

(1) ECL-230X-TB

(1) RC65

(1) DDSK

or

(2) ECL-230X-TB

(2) RC65

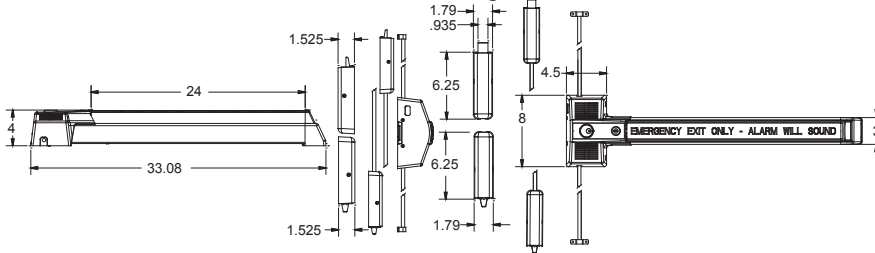
(1) 90KR

• Machine and Sheet Metal Screws (Std.)

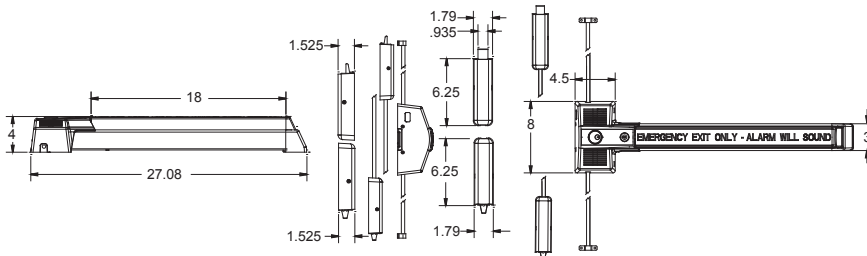
• Optional Sex Nuts or Security Torx Screws Available

Dimensions

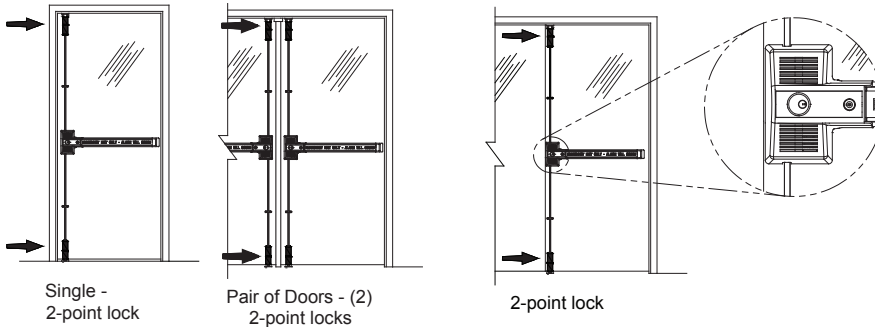
For use on most doors and gates 34" to 48" wide



For use on special doors and gates 30" to 36" wide



Riser Diagram



Listings and Approvals



UL Listed
Panic Hardware
988N-Grade 2



Meets ADA requirements



Meets NFPA 101
for Life Safety,
CA Title 19



ANSI/BHMA
requirements for all
Building Codes



California State Fire Marshal -
4140-0127:102

Meets International Building Code

Detex Limited Warranty

10 Year Limited Manufacturer's
Warranty

Where Trust is Built™
DETEx®
Life Safety, Security and Security Assurance

Detex Corporation
302 Detex Drive
New Braunfels, Texas 78130-3045 USA
PH. (830) 629-2900
(800) 729-3839
FAX (800) 653-3839
http://www.detex.com
USA Sales:
marketing@detex.com
International Sales:
export@detex.com

⚠ Cancer & Reproductive Harm - www.detex.com/prop65

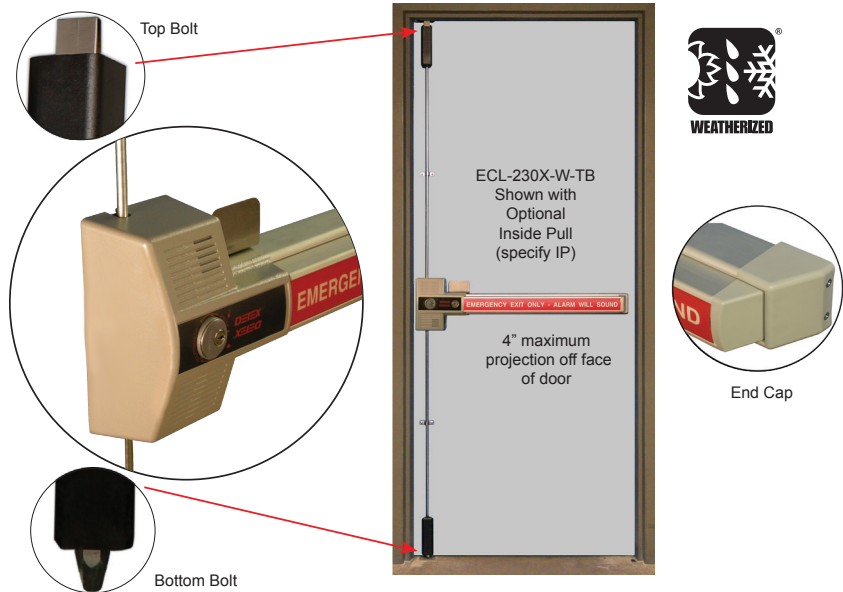
EXIT CONTROL LOCKS

ECL-230X-W-TB (Weatherized Top and Bottom Bolt)

Exit Control Hardware (Double Door Application)

The ECL-230X-W-TB is a **code compliant, battery alarmed, rugged 2-point dead bolt**, panic device with **photo-luminescent sign** providing maximum security and a **100 decibel alarm** for **secondary exits**.

This device conforms to UL1034-34 Temperature Section 34, UL1034-54 Dust Section 54, MIL-STD 810F, Method 506.4 (driving rain test); MIL-STD 810F and Method 509.4 (salt fog test).



Benefits

- Attack resistant design for maximum holding force
- Weather resistant design for use in outdoor or wet environments
- Proven durability and reliability at a reasonable price
- Easy to install
- Reduces employee and customer theft
- Time tested construction resists attack from the inside
- Easy to see if the lights go out
- For additional security with 5 locking points, specify ECL-230X-W-TB-DX3
- Straightforward operation that everyone understands
- One size fits 36"-48" doors for code compliant acceptance

Features

- 2-point, 3/4" throw top and bottom locks with just over 5/8" engagement with the strike
- Corrosion resistant alloy lock body
- 100 decibel alarm, powered by 9-volt battery (included)
- Surface/flush reversible strike
- Cover Lock
- Accepts 5-pin through 7-pin standard and interchangeable core rim cylinders without using cylinder collar
- Durable photo-luminescent sign absorbs light to then "glow in the dark" when lights are dimmed
- Locking and unlocking (dead bolt) always arms and disarms the alarm
- Non-handed
- Low profile meets International Building Code requirement allowing for 4" maximum projection off face of door
- Resetting the alarm can only be accomplished with a control key
- For 9VDC hardwiring add BE-961-1 or BE-961-2

Mechanical Options

- Gray Finish (Std.)
Note: Contact factory for additional finishes
- H - Hurricane Rated
- 84" - Fits 6'8" to 7' door
- 96" - Fits 7' to 8' door
- 120" - Fits 8' to 10' door
- 30 - Fits 30" wide door
- IP - Inside Pull
- SS - Security Screws
- CL-SS - Cover Lock & Security Screws
- DX1 - Add hinge side protection with one hinge bolt for 3 locking points (3/4" frame engagement)
- DX2 - Add hinge side protection with two hinge side bolts for 4 locking points (3/4" frame engagement)
- DX3 - For maximum hinge side protection add three hinge side bolts for 5 locking points (3/4" frame engagement)
- SN1 - Sex Nut Kit
- English Push Plate Sign (Std.)
- RWS - Spanish Sign

Other Languages available (call factory for details)

- 96B - Dust Proof Strike
- DDSK - Double Door Strike Kit
- 96B-DDS - Dust Proof Strike & Double Door Strike

Mechanical Options Continued

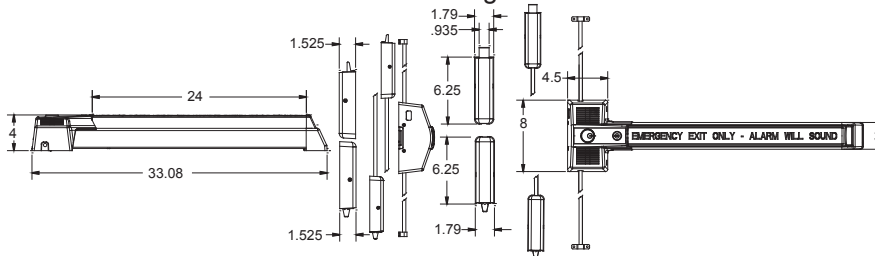
- 03T - Trim Plate
- 03PP - Pull Plate
- Rim cylinder required for 03 Trims (sold separately)
- 01T - Trim Plate
- 01PP - Pull Plate
- IC7R - Interchangeable core housing installed in Lock & or Trim
- IK7R - InstaKey Cylinder installed in Lock & or Trim
- RC65 - Rim Cylinder, Schlage "C" Keyway with 2 keys installed in Lock & or Trim
- RK - ECL-230D RetroFit Kit (End-cap plate & lock-body plate)
- RC - Rod Covers
- BG - Bottom Bolt Guard
- RC-BG - Rod Covers & Bottom Bolt Guard
- BE-961 - Hardwired Conversion Kit, eliminates battery (Sold Separately)
NOTE: BE-961 is not weatherized, protect with NEMA enclosure.

Technical Information

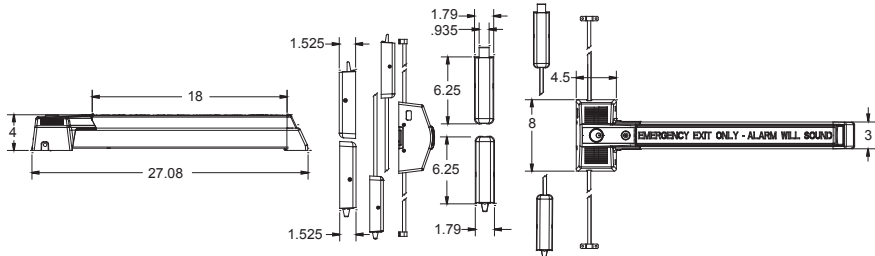
- Door Types - Wood, Hollow Metal
- Door Thickness - Fits standard 1-3/4" - 2-1/4"
- Standard Device fits 36"-48" door
- Optional Device fits 30"-36" door
- Double Door requirements:
(1) ECL-230X-W-TB
(1) RC65
(1) DDSK
or
(2) ECL-230X-W-TB
(2) RC65
(1) 90KR
- Machine and Sheet Metal Screws (Std.)
- Optional Sex Nuts or Security Torx Screws Available

Dimensions

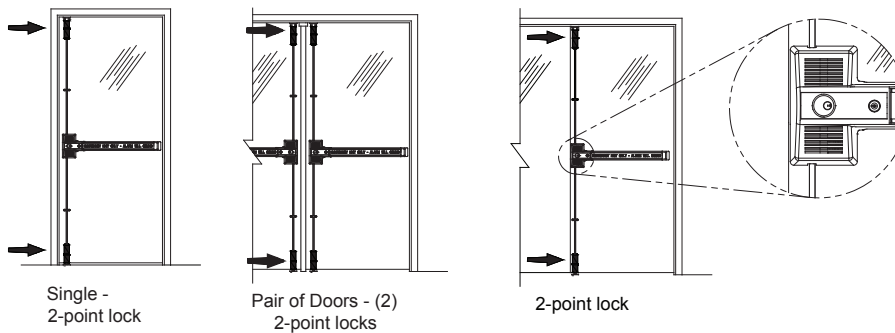
For use on most doors and gates 34" to 48" wide



For use on special doors and gates 30" to 36" wide



Riser Diagram



Listings and Approvals



UL Listed
Panic Hardware
988N-Grade 2

UL1034-34 Temperature Section 34
[Temperature Range -31° F (-35° C) to
150° F (+66° C)]

UL 1034-54 Dust Section 54



Meets ADA requirements



Meets NFPA 101
for Life Safety,
CA Title 19



ANSI/BHMA
requirements for all
Building Codes



California State Fire Marshal -
4140-0127:102

Meets International Building Code

Detex Limited Warranty

10 Year Limited Manufacturer's
Warranty

Where Trust is Built™
DETEx®
Life Safety, Security and Security Assurance

Detex Corporation
302 Detex Drive
New Braunfels, Texas 78130-3045 USA
PH. (830) 629-2900
(800) 729-3839
FAX (800) 653-3839
<http://www.detex.com>
USA Sales:
marketing@detex.com
International Sales:
export@detex.com

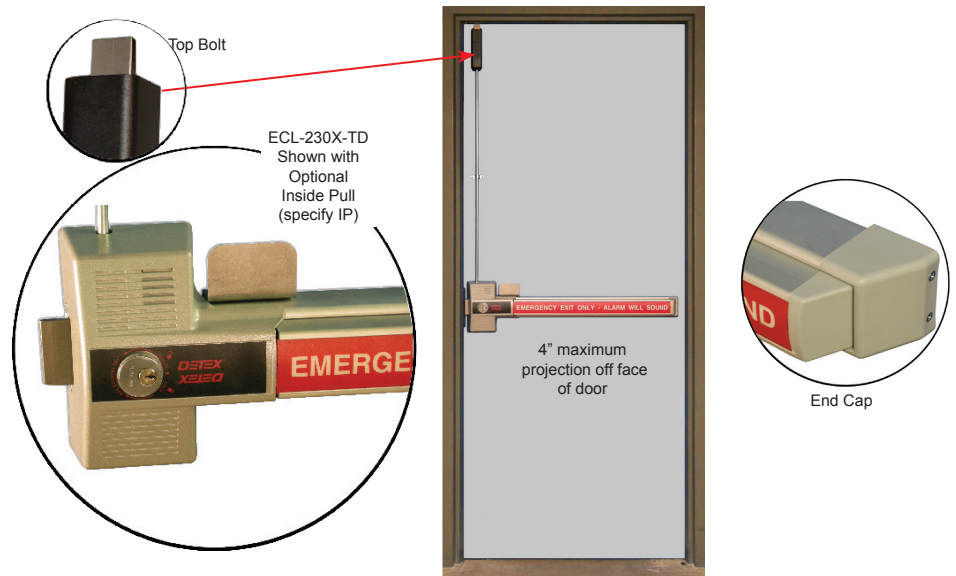
⚠ Cancer & Reproductive Harm - www.detex.com/prop65

EXIT CONTROL LOCKS

ECL-230X-TD (Top and Dead Bolt)

Exit Control Hardware

The ECL-230X-TD is a **code compliant, battery alarmed**, rugged 2-point **dead bolt**, panic device with **photo-luminescent sign** providing maximum security and a **100 decibel alarm for secondary exits**.



Benefits

- Attack resistant design for maximum holding force
- Proven durability and reliability at a reasonable price
- Easy to install
- Reduces employee and customer theft
- Time tested construction resists attack from the inside
- One size fits 36"-48" doors for code compliant acceptance
- For additional security with 5 locking points, specify ECL-230X-TD-DX3
- Easy to see if the lights go out
- Straightforward operation that everyone understands

Features

- 2-point, 1" throw dead bolt lock with just over 3/4" engagement with the frame and a 3/4" throw top lock with just over 5/8" engagement with the strike
- Saw resistant dead bolts
- Corrosion resistant alloy lock body
- 100 decibel alarm, powered by 9-volt battery (included)
- Surface/flush reversible strike
- Accepts 5-pin through 7-pin standard and interchangeable core rim cylinders without using cylinder collar
- Durable photo-luminescent sign absorbs light to then "glow in the dark" when lights are dimmed
- Locking and unlocking (dead bolt) always arms and disarms the alarm
- Non-handed
- Low profile meets International Building Code requirement allowing for 4" maximum projection off face of door
- Resetting the alarm can only be accomplished with a control key
- For 9VDC hardwiring add BE-961-1 or BE-961-2

Mechanical Options

- Gray Finish (Std.)
Note: Contact factory for additional finishes
- H - Hurricane Rated
- 84" - Fits 6'8" to 7' door
- 96" - Fits 7' to 8' door
- 120" - Fits 8' to 10' door
- 30 - Fits 30" wide door
- 96B - Dust Proof Strike
- DDSK - Double Door Strike Kit
- 96B-DDS - Dust Proof Strike & Double Door Strike
- DX1 - Add hinge side protection with one hinge bolt for 3 locking points (3/4" frame engagement)
- DX2 - Add hinge side protection with two hinge side bolts for 4 locking points (3/4" frame engagement)
- DX3 - For maximum hinge side protection add three hinge side bolts for 5 locking points (3/4" frame engagement)
- RC - Rod Covers
- BG - Bottom Bolt Guard
- RC-BG - Rod Covers & Bottom Bolt Guard
- English Push Plate Sign (Std.)
- RWS - Spanish Sign
- Other Languages available (call factory for details)
- IP - Inside Pull
- SN1 - Sex Nut Kit

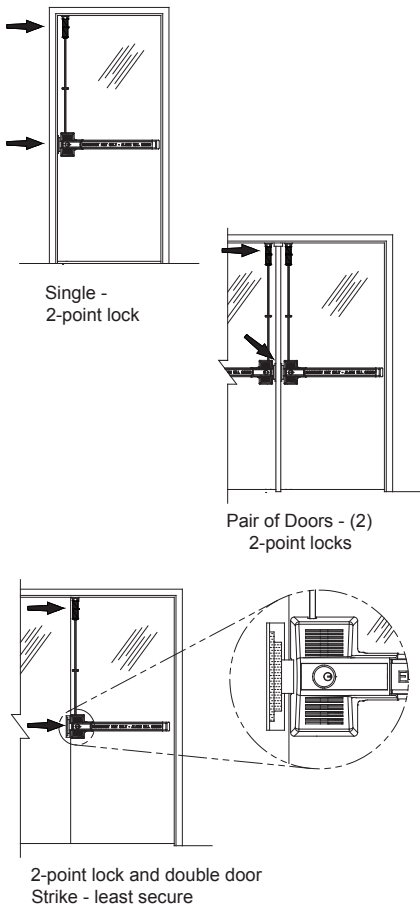
Mechanical Options Continued

- 03T - Trim Plate
- 03PP - Pull Plate
- Rim cylinder required for 03 Trims (sold separately)
- 01T - Trim Plate
- 01PP - Pull Plate
- IC7R - Interchangeable core housing installed in Lock & or Trim
- IK7R - InstaKey Cylinder installed in Lock & or Trim
- RC65 - Rim Cylinder, Schlage "C" Keyway with 2 keys installed in Lock & or Trim
- CL - Cover Lock
- SS - Security Screws
- CL-SS - Cover Lock & Security Screws
- RK - ECL-230D RetroFit Kit (End-cap plate & lock-body plate)
- BE-961 - Hardwired Conversion Kit, eliminates battery (Sold Separately)

Technical Information

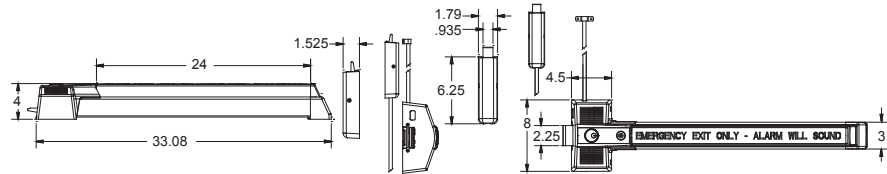
- Door Types - Wood, Hollow Metal
- Door Thickness - Fits standard 1-3/4" - 2-1/4"
- Standard Device fits 36"-48" door
- Optional Device fits 30"-36" door
- Double Door requirements:
 - (1) ECL-230X-TD
 - (1) RC65
 - (1) DDSK
 - or
 - (2) ECL-230X-TD
 - (2) RC65
 - (1) 90KR
- Machine and Sheet Metal Screws (Std.)
- Optional Sex Nuts or Security Torx Screws Available

Riser Diagram

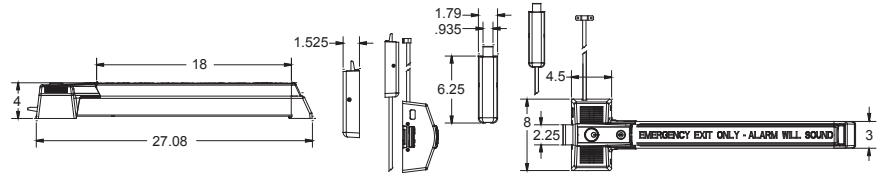


Dimensions

For use on most doors and gates 34" to 48" wide



For use on special doors and gates 30" to 36" wide



Listings and Approvals



UL Listed
Panic Hardware
988N-Grade 2



Meets ADA requirements



Meets NFPA 101
for Life Safety,
CA Title 19



ANSI/BHMA
requirements for all
Building Codes



California State Fire Marshall -
4140-0127:102

Meets International Building Code

Detex Limited Warranty

10 Year Limited Manufacturer's
Warranty



Detex Corporation
302 Detex Drive
New Braunfels, Texas 78130-3045 USA
PH. (830) 629-2900
(800) 729-3839
FAX (800) 653-3839
<http://www.detex.com>
USA Sales:
marketing@detex.com
International Sales:
export@detex.com

Cancer & Reproductive Harm - www.detex.com/prop65

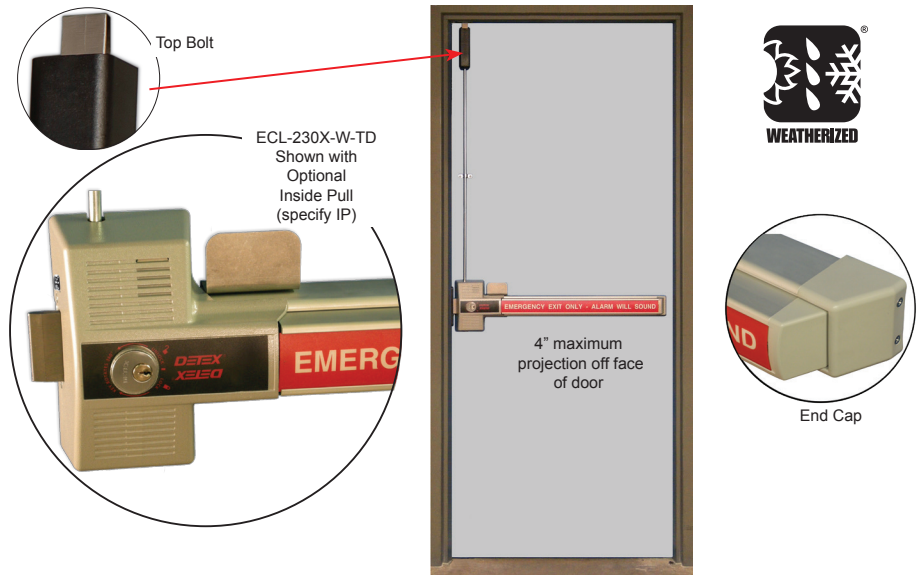
EXIT CONTROL LOCKS

ECL-230X-W-TD (Weatherized Top and Dead Bolt)

Exit Control Hardware

The ECL-230X-W-TD is a **code compliant, battery alarmed, rugged 2-point dead bolt**, panic device with **photo-luminescent sign** providing maximum security and a **100 decibel alarm for secondary exits**.

This device conforms to UL1034-34 Temperature Section 34, UL1034-54 Dust Section 54, MIL-STD 810F, Method 506.4 (driving rain test); MIL-STD 810F and Method 509.4 (salt fog test).



Benefits

- Attack resistant design for maximum holding force
- Weather resistant design for use in outdoor or wet environments
- Proven durability and reliability at a reasonable price
- Easy to install
- Reduces employee and customer theft
- Time tested construction resists attack from the inside
- One size fits 36"-48" doors for code compliant acceptance
- For additional security with 5 locking points, specify ECL-230X-W-TD-DX3
- Easy to see if the lights go out
- Straightforward operation that everyone understands

Features

- 2-point, 1" throw dead bolt lock with just over 3/4" engagement with the frame and a 3/4" throw top lock with just over 5/8" engagement with the strike
- Saw resistant dead bolts
- Corrosion resistant alloy lock body
- 100 decibel alarm, powered by 9-volt battery (included)
- Surface/flush reversible strike
- Accepts 5-pin through 7-pin standard and interchangeable core rim cylinders without using cylinder collar
- Durable photo-luminescent sign absorbs light to then "glow in the dark" when lights are dimmed
- Locking and unlocking (dead bolt) always arms and disarms the alarm
- Non-handed
- Low profile meets International Building Code requirement allowing for 4" maximum projection off face of door
- Resetting the alarm can only be accomplished with a control key
- For 9VDC hardwiring add BE-961-1 or BE-961-2

Mechanical Options

- Gray Finish (Std.)
Note: Contact factory for additional finishes
- H - Hurricane Rated
- 84" - Fits 6'8" to 7' door
- 96" - Fits 7' to 8' door
- 120" - Fits 8' to 10' door
- 30 - Fits 30" wide door
- 96B - Dust Proof Strike
- DDSK - Double Door Strike Kit
- 96B-DDS - Dust Proof Strike & Double Door Strike
- DX1 - Add hinge side protection with one hinge bolt for 3 locking points (3/4" frame engagement)
- DX2 - Add hinge side protection with two hinge side bolts for 4 locking points (3/4" frame engagement)
- DX3 - For maximum hinge side protection add three hinge side bolts for 5 locking points (3/4" frame engagement)
- RC - Rod Covers
- BG - Bottom Bolt Guard
- RC-BG - Rod Covers & Bottom Bolt Guard
- English Push Plate Sign (Std.)
- RWS - Spanish Sign
- Other Languages available (call factory for details)
- IP - Inside Pull
- SN1 - Sex Nut Kit

Mechanical Options Continued

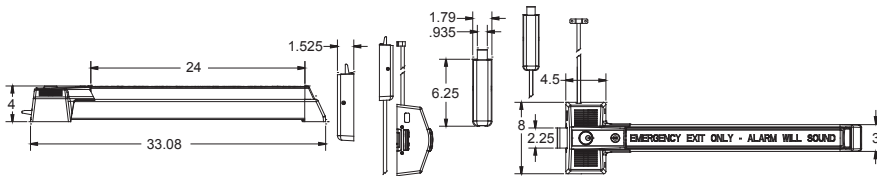
- 03T - Trim Plate
- 03PP - Pull Plate
Rim cylinder required for 03 Trims (sold separately)
- 01T - Trim Plate
- 01PP - Pull Plate
- SS - Security Screws
- CL - Cover Lock
- IC7R - Interchangeable core housing installed in Lock & or Trim
- IK7R - InstaKey Cylinder installed in Lock & or Trim
- RC65 - Rim Cylinder, Schlage "C" Keyway with 2 keys installed in Lock & or Trim
- CL-SS - Cover Lock & Security Screws
- RK - ECL-230D RetroFit Kit (End-cap plate & lock-body plate)
- BE-961 - Hardwired Conversion Kit, eliminates battery (Sold Separately)
NOTE: BE-961 is not weatherized, protect with NEMA enclosure.

Technical Information

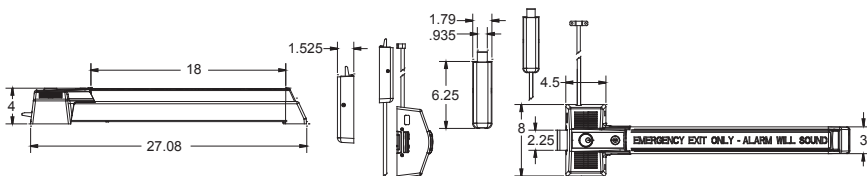
- Door Types - Wood, Hollow Metal
- Door Thickness - Fits standard 1-3/4" - 2-1/4"
- Standard Device fits 36"-48" door
- Optional Device fits 30"-36" door
- Double Door requirements:
(1) ECL-230X-W-TD
(1) RC65
(1) DDSK
or
(2) ECL-230X-W-TD
(2) RC65
(1) 90KR
- Machine and Sheet Metal Screws (Std.)
- Optional Sex Nuts or Security Torx Screws Available

Dimensions

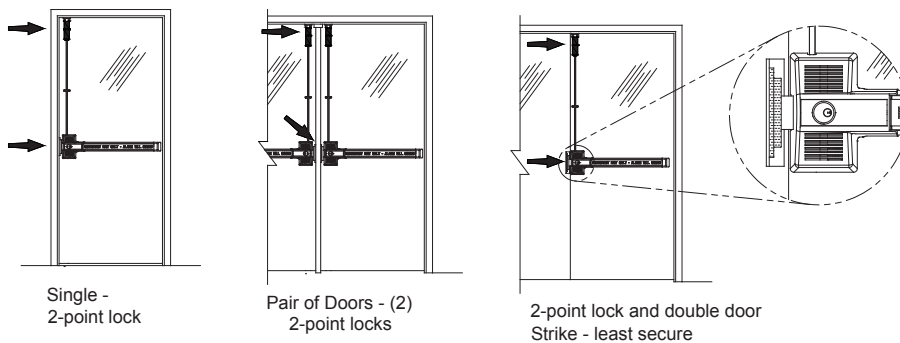
For use on most doors and gates 34" to 48" wide



For use on special doors and gates 30" to 36" wide



Riser Diagram



UL Listed
Panic Hardware
988N-Grade 2

UL1034-34 Temperature Section 34
[Temperature Range -31° F (-35° C) to
150° F (+66° C)]

UL 1034-54 Dust Section 54



Meets ADA requirements



Meets NFPA 101
for Life Safety,
CA Title 19



ANSI/BHMA
requirements for all
Building Codes



California State Fire Marshall -
4140-0127:102

Meets International Building Code

Detex Limited Warranty

10 Year Limited Manufacturer's
Warranty

Where Trust is Built™

DETEX[®]
Life Safety, Security and Security Assurance

Detex Corporation
302 Detex Drive
New Braunfels, Texas 78130-3045 USA
PH. (830) 629-2900
(800) 729-3839
FAX (800) 653-3839
http://www.detex.com
USA Sales:
marketing@detex.com
International Sales:
export@detex.com

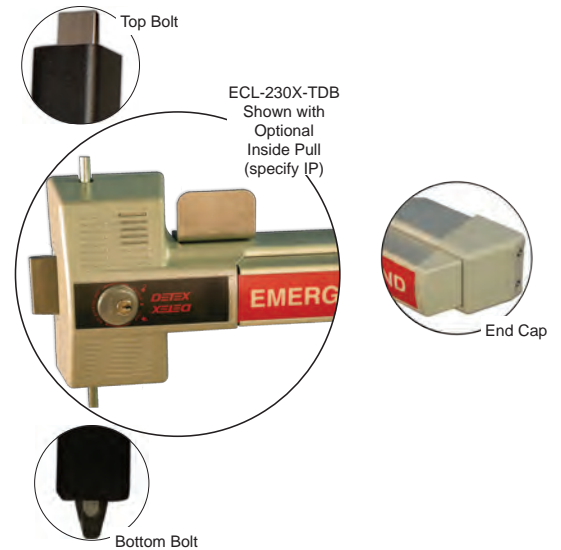
⚠ Cancer & Reproductive Harm - www.detex.com/prop65

EXIT CONTROL LOCKS

ECL-230X-TDB (Top Bolt, Dead Bolt and Bottom Bolt)

Exit Control Hardware

The ECL-230X-TDB is a code compliant, battery alarmed, rugged 3-point dead bolt, panic device with photo-luminescent sign providing maximum security and a 100 decibel alarm for secondary exits. Independent laboratory testing shows that the ECL-230X-TDB can withstand up to 16,000 pounds of pull force.



Benefits

- Attack resistant design for maximum holding force
- Proven durability and reliability at a reasonable price
- Easy to install
- Reduces employee and customer theft
- Time tested construction resists attack from the inside
- One size fits 36"-48" doors for code compliant acceptance
- For maximum security with 6 locking points, specify ECL-230X-TDB-DX3
- Easy to see if the lights go out
- Straightforward operation that everyone understands

Features

- 3-point, 1" throw dead bolt lock with just over 3/4" engagement with the frame, and 3/4" throw top and bottom locks with 5/8" engagement with the strike
- Saw resistant dead bolts
- Corrosion resistant alloy lock body
- Durable photo-luminescent sign absorbs light to then "glow in the dark" when lights are dimmed
- Surface/flush reversible strike
- Accepts 5-pin through 7-pin standard and interchangeable core rim cylinders without using cylinder collar
- 100 decibel alarm, powered by 9-volt battery (included)
- Locking and unlocking the dead bolt always arms and disarms the alarm
- Non-handed
- Low profile meets International Building Code requirement allowing for 4" maximum projection off face of door
- Resetting the alarm can only be accomplished with a control key
- For 9VDC hardwiring add BE-961-1 or BE-961-2
- Gray Finish

Mechanical Options

- H - Hurricane Rated
- 96B - Dust Proof Strike
- DDSK - Double Door Strike Kit
- 96B-DDS - Dust Proof Strike & Double Door Strike
- BE-961 - Hardwired Conversion Kit, eliminates battery (sold separately)
- English Push Plate Sign (Std.)
- RWS - Spanish Sign
Other Languages available (call factory)
- 84" - Fits 6'8" to 7' door
- 96" - Fits 7' to 8' door
- 120" - Fits 8' to 10' door
- 30 - Fits 30" wide door
- Add hinge side protection with 3/4" frame engagement
 - DX1 - one hinge bolt for 4 locking points
 - DX2 - two hinge bolts for 5 locking points
 - DX3 - three hinge bolts for 6 locking points
- CL - Cover Lock
- SS - Security Screws
- CL-SS - Cover Lock & Security Screws
- IC7R - Interchangeable core housing installed in Lock & or Trim
- IK7R - InstaKey Cylinder installed in Lock & or Trim
- RC65 - Rim Cylinder, Schlage "C" Keyway with 2 keys installed in Lock & or Trim
- IP - Inside Pull
- SN1 - Sex Nut Kit
- 01T - Trim Plate
- 01PP - Pull Plate
- 03T - Trim Plate
- 03PP - Pull Plate
Note: Rim cylinder required for 03 Trims (sold separately)
- RK - ECL-230D RetroFit Kit (Endcap plate & lock-body plate)
- RC - Rod Covers
- BG - Bottom Bolt Guard
- RC-BG - Rod Covers & Bottom Bolt Guard

Technical Information

- Door Types - Wood, Hollow Metal
- Door Thickness - Fits standard 1-3/4" - 2-1/4"
- Standard Device fits 36"-48" door
- Optional Device fits 30"-36" door
- Machine and Sheet Metal Screws (Std.)
- Double Door requirements:
 - (1) ECL-230X-TDB
 - (1) RC65
 - (1) DDSK
 - or
 - (2) ECL-230X-TDB
 - (2) RC65
 - (1) 90KR
- Optional Sex Nuts or Security Torx Screws Available

Detex Recommendations For Commercial Outswinging Doors

- Commercial Heavy duty door and frame, anchored to concrete wall & floor
 - Minimum 16 gauge door and frame, reinforced for multi-lock exit device
- Full length, heavy duty hinge (provided by installer)
- Full length, heavy gauge steel astragal (provided by installer)
- Detex H-ECL-230X-TDB-DX3-SN1 with flush strike install, multipoint, code compliant alarmed panic device
 - Hurricane rated hardware provides superior fasteners and reinforced push pad that helps prevent break-in
 - Flush Strike Installation provides superior holding force with maximum bolt penetration into the frame (see install instructions)
 - DX3 - 3 hinge side bolts that protect against hinge attack
 - SN1 - Sex Nuts / through bolts provide superior installation
- Hardened / reinforced steel plate installed on interior door skin, prevents drilling through door (provided by installer)
- Burglar alarm contact placed on inside, bottom or low on the door, to trigger burglar alarm when door is peeled / pried upward (inquire with burglar alarm company)

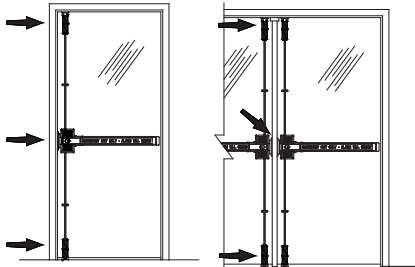


Push Side Pull Side

Note: Above recommendations are for a single door, but if used on a pair of doors, include a heavy gauge steel center

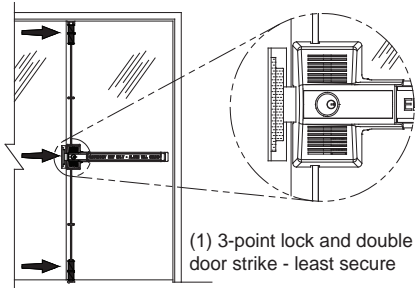
For more suggestions on Break-In Prevention, visit www.detex.com/lcopqanpeo

Riser Diagram

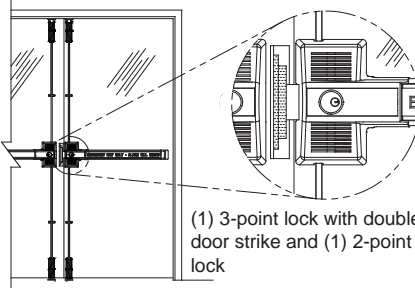


Single - 3-point lock

Pair of Doors - (2) 3-point locks



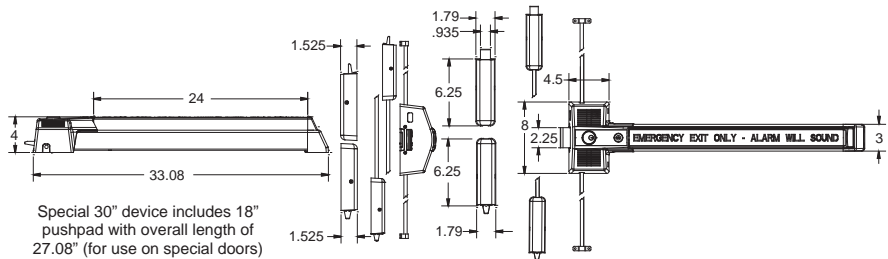
(1) 3-point lock and double door strike - least secure



(1) 3-point lock with double door strike and (1) 2-point lock

Dimensions

For use on most doors and gates 34" to 48" wide



Listings and Approvals



UL 305 Listed
Panic Hardware



UL1034-34 Temperature Section 34
[Temperature Range -31° F (-35° C) to 150° F (+66° C)]

UL 1034-54 Dust Section 54



Meets ADA Requirements



Meets NFPA 101 for Life Safety,
CA Title 19



ANSI/BHMA A156.3 Grade 2
requirements for all
Building Codes



California State Fire Marshall -
4140-0127:102

Meets International Building Code



Hurricane Listed (H)
Miami-Dade County, Florida
NOA 15-0603.15 EXP 11/28/18

Detex Limited Warranty

10 Year Limited Manufacturer's
Warranty

Where Trust is Built™
DETEX®
Life Safety, Security and Security Assurance

Detex Corporation
302 Detex Drive
New Braunfels, Texas 78130-3045 USA

PH. (830) 629-2900

(800) 729-3839

FAX (800) 653-3839

<http://www.detex.com>

USA Sales:

marketing@detex.com

International Sales:

export@detex.com



Cancer & Reproductive Harm - www.detex.com/prop65

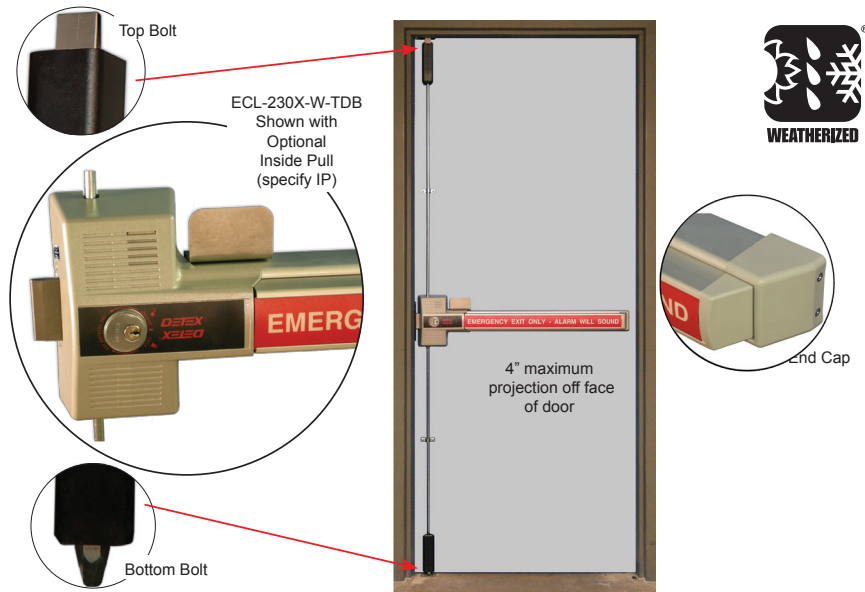
EXIT CONTROL LOCKS

ECL-230X-W-TDB (Weatherized Top Bolt, Dead Bolt and Bottom Bolt)

Exit Control Hardware

The ECL-230X-W-TDB is a code compliant, battery alarmed, rugged 3-point dead bolt, panic device with photo-luminescent sign providing maximum security and a 100 decibel alarm for secondary exits.

This device conforms to UL1034-34 Temperature Section 34, UL1034-54 Dust Section 54, MIL-STD 810F, Method 506.4 (driving rain test); MIL-STD 810F and Method 509.4 (salt fog test).



Benefits

- Attack resistant design for maximum holding force
- Weather resistant design for use in outdoor or wet environments
- Proven durability and reliability at a reasonable price
- Easy to install
- Reduces employee and customer theft
- Time tested construction resists attack from the inside
- One size fits 36"-48" doors for code compliant acceptance
- For maximum security with 6 locking points, specify ECL-230X-W-TDB-DX3
- Easy to see if the lights go out
- Straightforward operation that everyone understands

Features

- 3-point, 1" throw dead bolt lock with just over 3/4" engagement with the frame, and 3/4" throw top and bottom locks with 5/8" engagement with the strike
- Saw resistant dead bolts
- Corrosion resistant alloy lock body
- 100 decibel alarm, powered by 9-volt battery (included)
- Surface/flush reversible strike
- Accepts 5-pin through 7-pin standard and interchangeable core rim cylinders without using cylinder collar
- Durable photo-luminescent sign absorbs light to then "glow in the dark" when lights are dimmed
- Locking and unlocking the dead bolt always arms and disarms the alarm
- Non-handed
- Low profile meets International Building Code requirement allowing for 4" maximum projection off face of door
- Resetting the alarm can only be accomplished with a control key
- For 9VDC hardwiring add BE-961-1 or BE-961-2

Mechanical Options

- Gray Finish (Std.)
Note: Contact factory for additional finishes
- H - Hurricane Rated
- 84" - Fits 6'8" to 7' door
- 96" - Fits 7' to 8' door
- 120" - Fits 8' to 10' door
- 30 - Fits 30" wide door
- 96B - Dust Proof Strike
- DDSK - Double Door Strike Kit
- 96B-DDS - Dust Proof Strike & Double Door Strike
- DX1 - Add hinge side protection with one hinge bolt for 4 locking points (3/4" frame engagement)
- DX2 - Add hinge side protection with two hinge side bolts for 5 locking points (3/4" frame engagement)
- DX3 - For maximum hinge side protection add three hinge side bolts for 6 locking points (3/4" frame engagement)
- IP - Inside Pull
- SN1 - Sex Nut Kit
- English Push Plate Sign (Std.)
- RWS - Spanish Sign
- Other Languages available (call factory for details)
- CL - Cover Lock
- SS - Security Screws
- CL-SS - Cover Lock & Security Screws

Mechanical Options Continued

- 03T - Trim Plate
- 03PP - Pull Plate

Rim cylinder required for 03 Trims (sold separately)

- 01T - Trim Plate
- 01PP - Pull Plate

- IC7R - Interchangeable core housing installed in Lock & or Trim
- IK7R - InstaKey Cylinder installed in Lock & or Trim
- RC65 - Rim Cylinder, Schlage "C" Keyway with 2 keys installed in Lock & or Trim
- RK - ECL-230D RetroFit Kit (End-cap plate & lock-body plate)

- RC - Rod Covers
- BG - Bottom Bolt Guard
- RC-BG - Rod Covers & Bottom Bolt Guard
- BE-961 - Hardwired Conversion Kit, eliminates battery (Sold Separately)
NOTE: BE-961 is not weatherized, protect with NEMA enclosure.

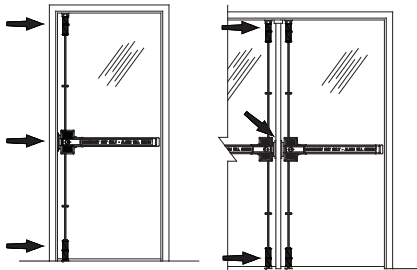
Technical Information

- Door Types - Wood, Hollow Metal
- Door Thickness - Fits standard 1-3/4" - 2-1/4"
- Standard Device fits 36"-48" door
- Optional Device fits 30"-36" door

- Double Door requirements:
(1) ECL-230X-W-TDB
(1) RC65
(1) DDSK
or
(2) ECL-230X-W-TDB
(2) RC65
(1) 90KR

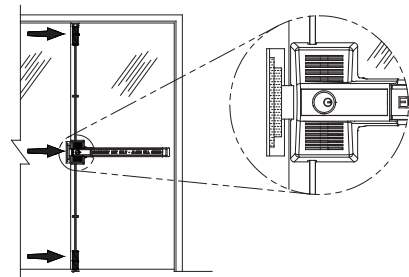
- Machine and Sheet Metal Screws (Std.)
- Optional Sex Nuts or Security Torx Screws Available

Riser Diagram



Single - 3-point lock

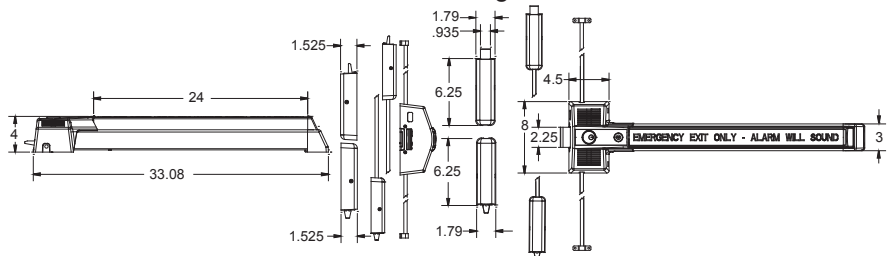
Pair of Doors - (2) 3-point locks



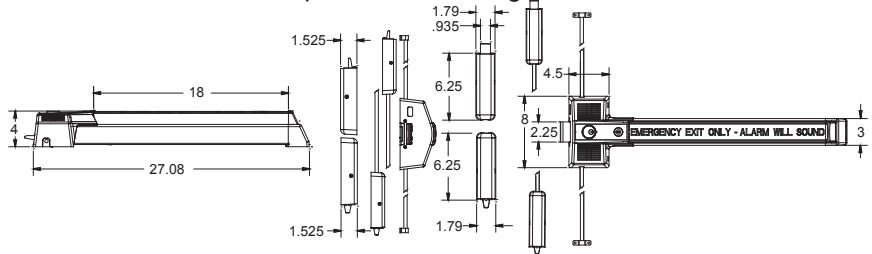
(1) 3-point lock and double door Strike - least secure

Dimensions

For use on most doors and gates 34" to 48" wide



For use on special doors and gates 30" to 36" wide



Detex Limited Warranty

10 Year Limited Manufacturer's Warranty

Listings and Approvals



UL 305 Listed
Panic Hardware
UL1034-34 Temperature Section 34
[Temperature Range -31° F (-35° C) to 150° F (+66° C)]
UL 1034-54 Dust Section 54



Meets NFPA 101 for Life Safety, CA Title 19



ANSI/BHMA A156.3 Grade 2 requirements for all Building Codes



California State Fire Marshal



Meets ADA Requirements



Hurricane Listed (H)
Miami-Dade County, Florida
NOA 15-0603.15 EXP 11/28/18

Where Trust is Built™
DETEX®
Life Safety, Security and Security Assurance

Detex Corporation
302 Detex Drive
New Braunfels, Texas 78130-3045 USA

PH. (830) 629-2900

(800) 729-3839

FAX (800) 653-3839

http://www.detex.com

USA Sales:

marketing@detex.com

International Sales:

export@detex.com

⚠ Cancer & Reproductive Harm - www.detex.com/prop65

EXIT CONTROL LOCKS

ECL-600

Fire-Rated Exit Control Hardware

The ECL-600 is a **fire rated, code-compliant**, rugged, dependable **relatching** exit device with a **steel plate and photo-luminescent sign** providing managed security and a 100 decibel alarm for secondary fire exits.



ECL-600
(Cylinders and bar
guard sold separately)

Benefits

- Attack resistant design withstands over 2200 lbs. of outside pull force
- Proven durability, reliability and long service life at a reasonable price
- Reduces employee and customer theft
- Easy to Install
- Time tested construction resists attack from the inside
- Easy to see if the lights go out
- Straightforward operation that everyone understands

Features

- 1" throw dead bolt and 3/4" dead locking latch bolt
- Relatching for additional security
- Saw resistant dead bolt
- Corrosion resistant alloy lock-body
- 100 decibel alarm, powered by 9-volt battery (included)
- Accepts 5-pin through 7-pin standard and interchangeable core rim cylinders
- Durable steel plate with photo luminescent sign
- Non-handed
- Locking and unlocking the dead bolt always arms and disarms the alarm
- Resetting the alarm can only be accomplished with a control key

Mechanical Options

- Gray Finish (Std.)
- English Push Plate Sign (Std.)
- Other Languages available (call factory for details)
- For Panic Hardware see ECL-230D or ECL-230D-PH

Accessories

- ECL-2100K - Bar Guard Kit - to protect end of bar, when required by code
- ECL-445K - Rim Cylinder, 5-pin with two keys
- ECL-1595 - Cylinder Collar required for 6 or 7 pin cylinders
- BE-961 - Hard wired Conversion Kit, eliminates battery
- F90KR - Keyed Removable Mullion for pairs of doors. Each leaf will operate independently.
- ECL-435K Adjustable Surface Keeper Bracket for some double door applications
- ECL-620 - Outside Lever Trim (rim cylinder sold separately)

ECL-620 Lever Trim



ECL-620

Designed specifically to operate with the ECL-600 Fire-Rated Exit Control Lock, the ECL-620 is a heavy-duty lever trim that allows entry from the outside. The keyed cylinder retracts the dead bolt and the lever operates the latch bolt.

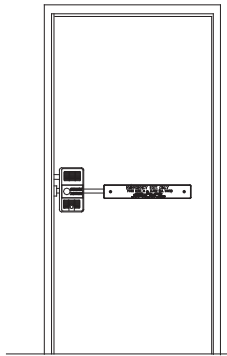
- Modern design lever
- Durable black finish
- Recessed cylinder for vandal resistance

- Key operates dead bolt
- Lever always active, retracting only the latch bolt
- Durable, through-bolted design
- Accepts standard rim cylinder (sold separately)

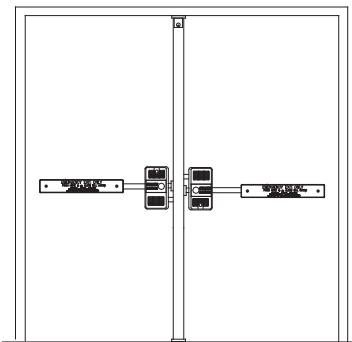
Technical Information

- Door Types - Wood, Hollow Metal or Aluminum
- Door Thickness - Fits standard 1-3/4" - 2-1/4"
- Minimum standard door width for ECL-600 is 34"
- Double Door requirements: Fire-Rated (2) ECL-600 (3) ECL-445K Cylinders (1) F90KR Keyed Removable Mullion (3-hour fire-rated to 8'0" high)
- Door Stile - Fits minimum 5-3/4" with ECL-437K Strike (Std.)
- Door Stile - Fits maximum 1-7/8" with ECL-475 Kit
- Machine and Sheet Metal Screws (Std.)
- Optional Sex Nuts or Security Torx Screws Available

Riser Diagram

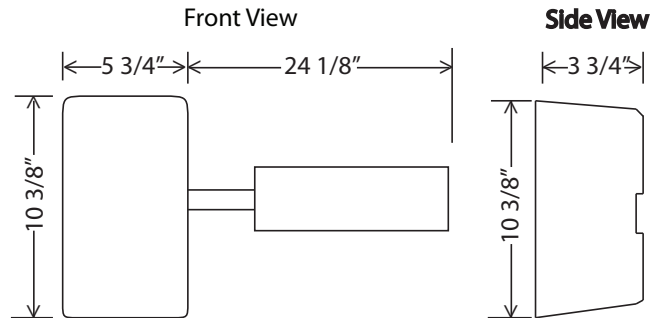


Single Door



Double Doors with Key Removable Mullion

Dimensions



Listings and Approvals



Fire Exit Hardware



Meets ADA requirements



Meets NFPA 80 & 101 for Life Safety, CA Title 19 &



ANSI/BHMA requirements for all Building Codes



California State Fire Marshal - 4140-0127:102

Detex Limited Warranty

10 Year Limited Manufacturer's Warranty

Where Trust is Built™
DETEx®
Life Safety, Security and Security Assurance

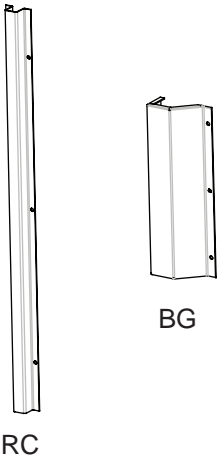
Detex Corporation
 302 Detex Drive
 New Braunfels, Texas 78130-3045 USA
 PH. (830) 629-2900
 (800) 729-3839
 FAX (800) 653-3839
 http://www.detex.com
 USA Sales:
 marketing@detex.com
 International Sales:
 export@detex.com

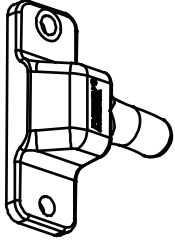
Cancer & Reproductive Harm - www.detex.com/prop65

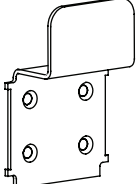
EXIT CONTROL LOCKS

ACCESSORIES for ECL-230X SERIES

Detex makes a number of accessories available that allow the Exit Control Locks to be used in a wide range of applications. Below is a listing and description of these items.

	<u>Item Number</u>	<u>Description and Use</u>
 <p data-bbox="267 871 305 898">RC</p> <p data-bbox="418 745 456 772">BG</p>	<p data-bbox="735 401 870 464">RC (105771-X)</p> <p data-bbox="735 562 846 625">BG (103562)</p> <p data-bbox="735 737 870 800">RC-BG (105771-X)</p>	<p data-bbox="1057 401 1208 428"><u>Rod Covers</u> Protects rods in high use, high abuse applications. Used with ECL-230X-TB, TD & TDB.</p> <p data-bbox="1057 562 1495 688"><u>Bottom Bolt Guard</u> Protects bottom bolt in high use, high abuse applications. Used with ECL-230X-TB & TDB.</p> <p data-bbox="1057 737 1520 863"><u>Rod Covers & Bottom Bolt Guard</u> Protects rods & bottom bolt in high use, high abuse applications. Used with ECL-230X-TB & TDB.</p>

 <p data-bbox="267 1354 391 1381">DX1 shown</p>	<p data-bbox="735 961 789 989">DX1</p> <p data-bbox="735 1171 789 1199">DX2</p> <p data-bbox="735 1381 789 1409">DX3</p>	<p data-bbox="1057 961 1312 989"><u>One hinge side lock</u> One hinge side locking point, keeps door secure even if hinge knuckles are removed. Used when higher level of security is required.</p> <p data-bbox="1057 1171 1520 1339"><u>Two hinge side locks</u> Two hinge side locking points, keeps door secure even if hinge knuckles are removed. Used when higher level of security is required.</p> <p data-bbox="1057 1381 1520 1549"><u>Three hinge side locks</u> Three hinge side locking points, keeps door secure even if hinge knuckles are removed. Used when higher level of security is required.</p>

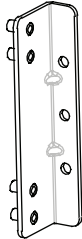
	<p data-bbox="735 1661 764 1688">IP</p>	<p data-bbox="1057 1619 1192 1646"><u>Inside Pull</u> Provides grip handle on inside of door, assists in pulling door closed and locking door</p>

EXIT CONTROL LOCKS CONT'D

ACCESSORIES for ECL-230X SERIES

Item Number

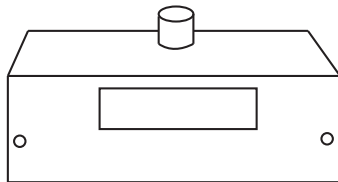
Description and Use



DDSK

Double Door Strike Bracket Kit

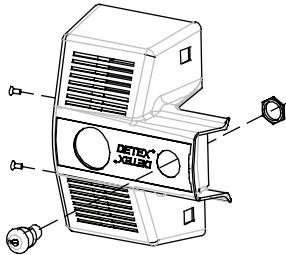
Mounts on inactive leaf. Typically used in conjunction with flush bolts or similar products in double door applications.



DDH-2250

Double Door Holder

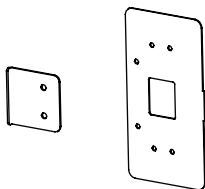
Mounts on inactive leaf. Typically used on pairs of doors. Locks inactive leaf, when active leaf closes, operates similar to automatic flush bolts.



105059-X

Cover Lock Kit

Provides additional protection for battery protection. Requires main operational key and cover lock key to perform maintenance, change battery.



RK

ECL-230 Retrofit Plate Kit

Useful when removing an ECL-230D and installing an ECL-230X



102638

Rim Cylinder Plate

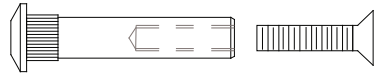
03 function cylinder trim plate used on gates

EXIT CONTROL LOCKS CONT'D

ACCESSORIES for ECL-230X SERIES

Item Number

Description and Use

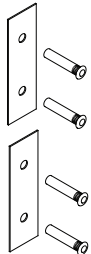


SN1

SN1
(101616-X)

Sex Nuts

Recommended for high use, high abuse applications

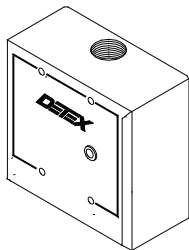


TMP1

TMP1

Through Bolt Mounting Plate Kit

Recommended for high use, high abuse applications. Kit is standard with two plates and four 1/4-20 sex bolts.



BE-961-1 shown

BE-961-1

Battery Eliminator

120VAC to 9VDC - includes 10' flex conduit (includes 120VAC to 12VAC transformer)

BE-961-2

Battery Eliminator

120VAC to 9VDC - includes 10' flex conduit with supervisory loop power, alarm and LED (includes 120VAC to 12VAC transformer)

BE-961-5

Battery Eliminator

12VAC to 9VDC - does not include transformer or flex conduit

BE-961-6

Battery Eliminator

24VAC to 9VDC - does not include transformer or flex conduit

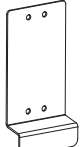
EXIT CONTROL LOCKS CONT'D

ACCESSORIES for ECL-230X SERIES

Description and Use



01T



01PP

Trim Plate (01T)

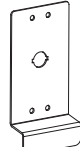
Does not include outside key control. Typically used to cover exterior holes on pull side of door. Sex nuts included.

Trim Pull Plate (01PP)

Does not include outside key control. Typically used to pull door open while door is unlocked. Sex nuts included.



03T



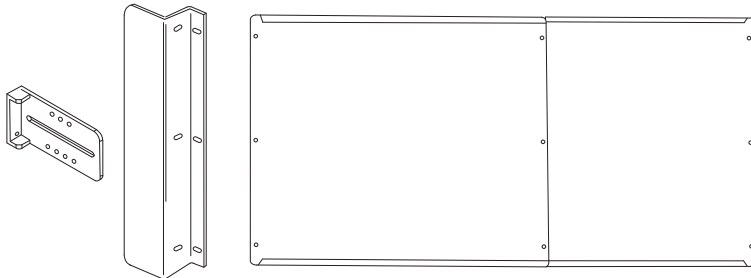
03PP

Trim Pull Plate (03T)

Requires rim cylinder, provides outside key control. Pull provided by others, supplied separately. Sex nuts included.

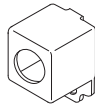
Trim Pull Plate (03PP)

Requires rim cylinder, provides outside key control. Typically used to pull door open while door is unlocked. Sex nuts included.



Gate Plate Kit (GTPL230X)

Adjustable gate plate fits gates 32" - 52" wide. Fits square or round gate frames. Comes with holes for mounting ECL-230X. Kit includes Gate Plate, Gate Latch Protector, and Strike Latch Receiver Bracket.



Cylinder Trim (03GS)

Optional 03 function cylinder trim used on gates (Rim cylinder sold separately)

Where Trust is Built™
DETEx®
Life Safety, Security and Security Assurance

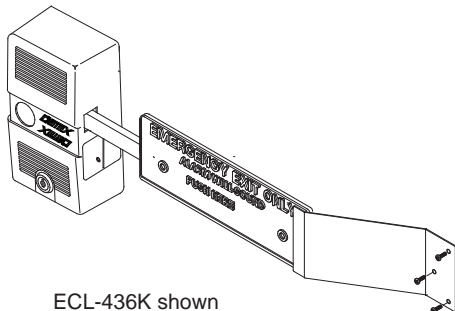
Detex Corporation
302 Detex Drive
New Braunfels, Texas 78130-3045 USA
PH. (830) 629-2900
(800) 729-3839
FAX (800) 653-3839
<http://www.detex.com>
USA Sales:
marketing@detex.com
International Sales:
export@detex.com

Cancer & Reproductive Harm - www.detex.com/prop65

EXIT CONTROL LOCKS

ACCESSORIES for ECL-230D SERIES and ECL-600

Detex makes a number of accessories available that allow the Exit Control Locks to be used in a wide range of applications. Below is a listing and description of these items.



ECL-436K shown

Item Number

Description and Use

ECL-436K

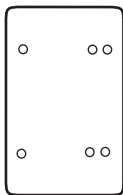
Panic Bar Plate Guard Kit

Protects against clothing being caught on exit bar plate. Used with ECL-230D.

ECL-2100K

Panic Bar Plate Guard Kit

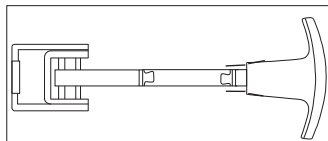
Protects against clothing being caught on exit bar plate. Used with ECL-230D-PH and ECL-600 (required)



ECL-475K

Decorative Back Plate Kit

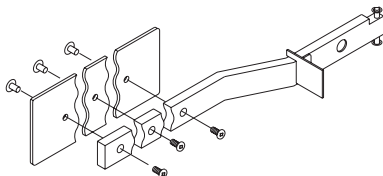
5 19/32" W x 10 3/16" H x .045" thick. To improve the appearance of the back of an Exit Control Lock visible through glass on a narrow stile glass door.



ECL-498K

Outside Pull and Warning Sign

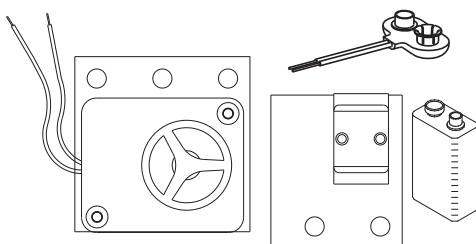
Mounted on opposite face of door where conditions or regulations require that an emergency exit be openable from both sides. Alarm sounds when door is opened.



ECL-2105K

Paddle Bar Kit (Retrofit)

Bar extension kit for 3.0' to 4.0' doors



ECL-2111K

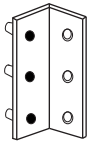
Siren/Battery Conversion Kit

For ECL-230C & D. Converts ECL-230 6 volt lantern battery to 9 volt battery & siren

EXIT CONTROL LOCKS CONT'D

ACCESSORIES for ECL-230D SERIES and ECL-600

Single Door Mechanical Strikes for Inswinging and Outswinging Installations

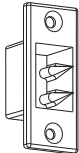


Item Number

Description and Use

ECL-435K

Adjustable strike bracket, surface
For use on left hand, right hand inswinging doors or double doors with one door stationary using flush bolts or DDH-2250



ECL-439K

Mortise strike
For use on outswinging doors



ECL-437K

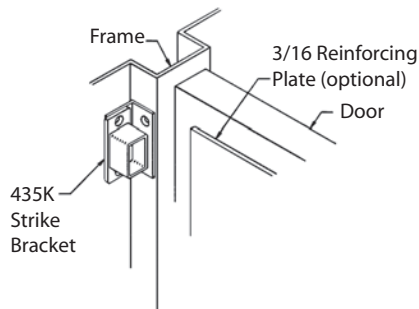
Adjustable strike, surface
For use on outswinging doors

INSWINGING DOORS - LH, RH
ECL-435K adjustable strike bracket, surface

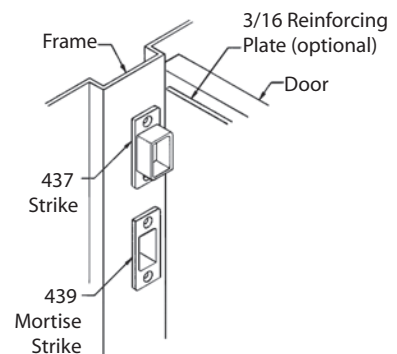
OUTSWINGING DOORS
ECL-439K mortise strike
ECL-437K adjustable strike, surface

* Price of lock includes a kit containing 439 and 437 strikes with required mounting screws. All other strikes must be ordered separately by number. There is an extra charge for strikes that are not included as part of the lock.

FOR INSWINGING INSTALLATIONS
and
DOUBLE DOOR APPLICATIONS
without a MULLION



FOR OUTSWINGING
INSTALLATIONS



All bracket-mounted strikes include unique adjustable feature for proper installation alignment. All strikes supplied with wood and sheet metal mounting screws.

EXIT CONTROL LOCKS CONT'D

ACCESSORIES for ECL-230D SERIES and ECL-600



ECL-8220

Optional Captions for Exit Bar Plates

Standard exit bar plate includes words "EMERGENCY EXIT ONLY".

Item Number

Description

ECL-8220
ECL-8220-1

English Exit Bar Plate
Red (Standard)
Green

ECL-8220-8

Spanish Exit Bar Plate
Red

ECL-8220-6
ECL-8220-9

Chinese/English Exit Bar Plate (Red)
Chinese Exit Bar Plate (Red)

ECL-8220-7

French Canadian Exit Bar Plate
(Red)

ECL-2109

English Exit Bar Plate for Long Bar -
ECL-230D-PH (Red)



ECL-405
(DT0XX is stamped on the key)
XX = Key # 11-20

Cover Lock Key



Detex Corporation
302 Detex Drive
New Braunfels, Texas 78130-3045 USA
PH. (830) 629-2900
(800) 729-3839
FAX (800) 653-3839
<http://www.detex.com>
USA Sales:
marketing@detex.com
International Sales:
export@detex.com

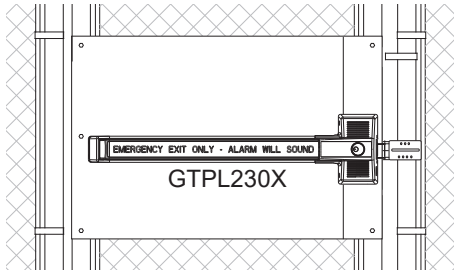
 Cancer & Reproductive Harm - www.detex.com/prop65

Weatherized Accessories

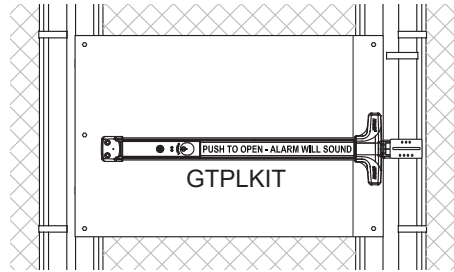
Gate Plate & Accessories

The mounting plate adjusts to fit different gate sizes. The adjustable receiving latch makes installation easy. The lockbox makes it possible to gain access from outside the gate by using a key. All accessories are available in silver or black finish.

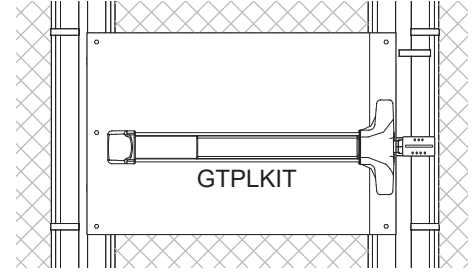
Push Side



ECL-230X-W shown

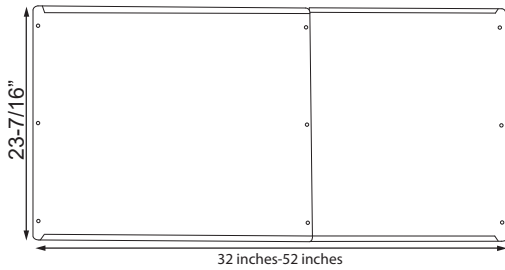


Value Series V40xEBxW shown



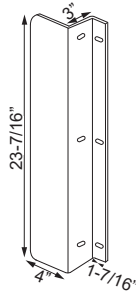
Advantex 10xW Series shown

GTPL Adjustable Gate Plate



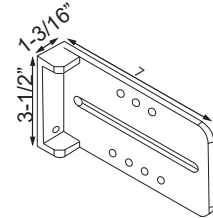
- Fits Single Gates 32" - 52" wide
- Adjustable to fit wide variety of single gates
- Sleeved together
- Fits square or round gate frames

GTPLGRD Gate Latch Protector



- Provides added security
- For use on existing gate plate application where gap is larger than 1"

GTSTKBKT Strike Latch Receiver Bracket



- Includes stainless steel U-bolt, nuts, tek-screws
- 1/4" steel with powder-coat finish
- Doubles as gate stop
- Accommodates 99 strike for Advantex 10/40 Series and V40 Series

GTPLKIT

For Advantex and Value Series applications.

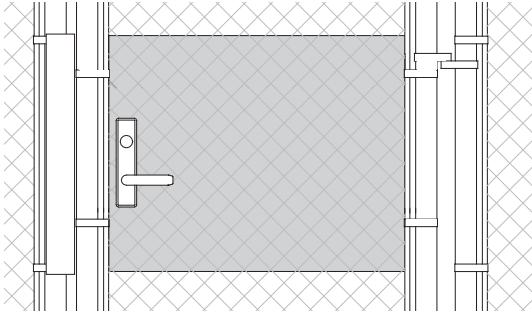
The kit includes:
 GTPL - Adjustable Gate Plate
 GTPLGRD - Gate Latch Protector
 GTSTKBKT - Strike Latch Receiver Bracket

GTPL230X

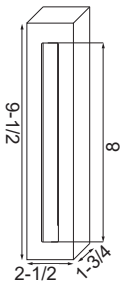
For ECL-230X applications.

The kit includes:
 GTPL - Adjustable Gate Plate
 GTPLGRD - Gate Latch Protector
 GTSTKBKT - Strike Latch Receiver Bracket
 104345 - Adapter Plate

08GSN

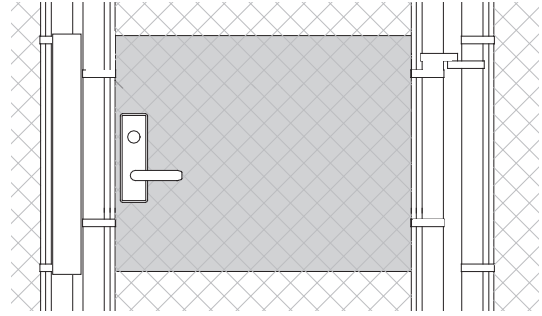


Spacer for Narrow Lever Trim

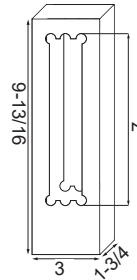


- For use with 02/08/09/14DN trims
- Narrow lever trim sold separately (specify handing)
- Extends for use with Detex spring-loaded tailpiece
- For use with Advantex and Value Series devices

08GS

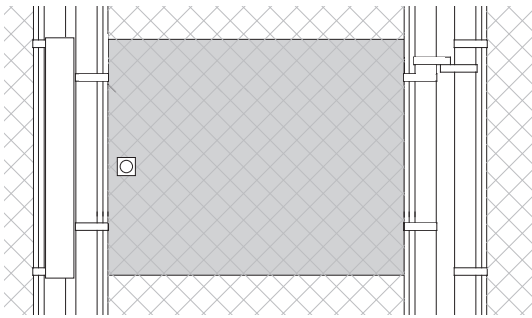


Spacer for Wide Lever Trim

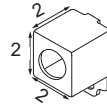


- For use with 02/08/09/14D trims
- Wide lever trim sold separately (specify handing)
- Extends for use with Detex spring-loaded tailpiece
- For use with Advantex and Value Series devices

03GS

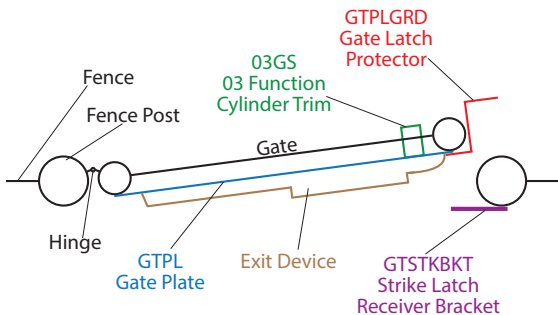


03 Function Cylinder Trim



- Optional accessory
- For use with rim cylinder on gates
- Rim cylinder required (sold separately)
- For use with Advantex, Value Series and ECL devices

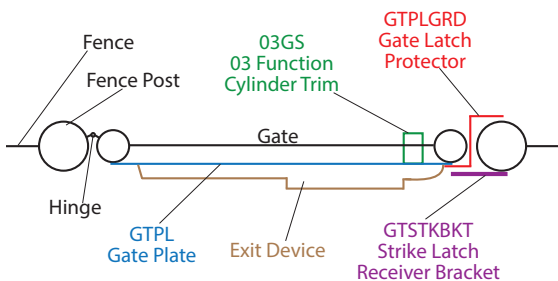
Overhead View - Gate Open



Finishes

- Silver (Std.)
- Black (Specify -BLK)

Overhead View - Gate Closed



Where Trust is Built™
DETEx®
 Life Safety, Security and Security Assurance

Detex Corporation
 302 Detex Drive
 New Braunfels, Texas 78130-3045 USA
 PH. (830) 629-2900
 (800) 729-3839
 FAX (800) 653-3839
 http://www.detex.com
 USA Sales:
 marketing@detex.com
 International Sales:
 export@detex.com

⚠ Cancer & Reproductive Harm - www.detex.com/prop65

EXIT CONTROL LOCKS ACCESSORY

BE-961

Battery Eliminator

The BE-961 Battery Eliminator is designed to power security devices such as the Detex ECL-230D, ECL-230X Series, ECL-600 battery powered series exit control locks and V40 alarmed rim exit device without reliance on batteries. Converts AC power to DC for supplying battery-operated devices.



BE-961-1

BE-961-2

Benefits

- Powers security devices without reliance on batteries
- Eliminating the need to annually change 9 volt batteries, saves money, prevents unnecessary battery disposal and creates a greener process
- May be installed on the wall adjacent to the protected door quickly and easily
- 10' Flexible armored cable connects the battery eliminator to the security device without interfering with door use
- LED provides visual status of power
- For extra security, the connecting cable may be concealed in the door using a continuous electric hinge

Features

- Available Battery Eliminator Power Supplies:
 - BE-961-1** = 120VAC transformer to 12VAC, 12VAC to 9VDC circuit board
Note: Powers up to three 9V battery devices
 - BE-961-2** = 120VAC transformer to 12VAC, 12VAC to 9VDC circuit board includes secure power/supervisory loop (cutting 9V power will sound BE-961-2 alarm)
Note: For use with ECL products **only**
 - BE-961-5** = Converts 12VAC to 9VDC
 - BE-961-6** = Converts 24VAC to 9VDC
Note: Conduit and transformer for BE-961-5 and BE-961-6 sold separately
- The BE-961-2 includes an internal alarm which sounds at 95dB if the secure power feed wires are cut or when the ECL unit sounds (for use with ECL products only)
- 106595-5 - Battery Eliminator in NEMA enclosure - Suitable for outdoor use - Used to power V40 EB W, 230X-W, EAX-500W - Converts 24VAC to 9VDC
Dimensions: 10-1/4"x13-1/2"x6"

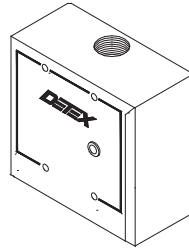


Technical Information

- 9VDC outputs, jumper selectable to the security device
- BE-961-1 and BE-961-2 come with an external transformer
- Line input transient suppression is a standard feature
- BE-961-2 is not for use with EAX and V40 product lines
- Current Output Capacity - .5 Amp

Dimensions

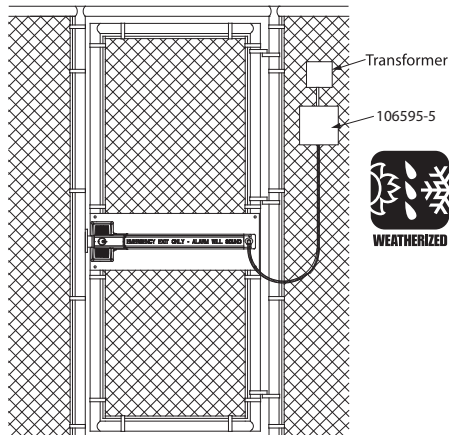
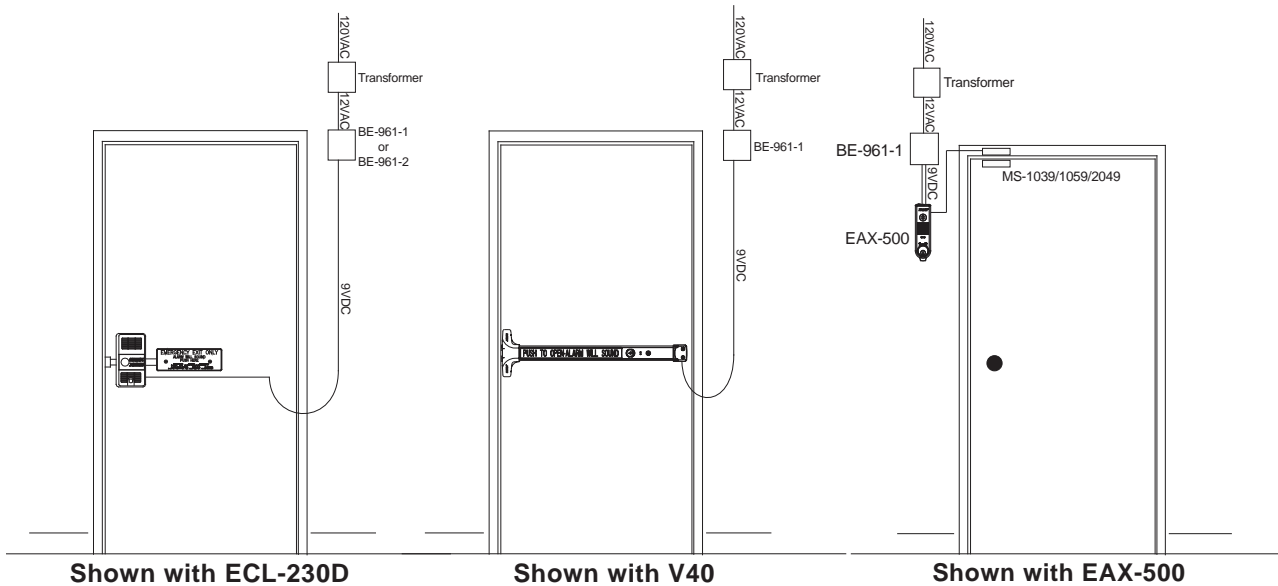
- 4-5/8" wide x 4-5/8" long x 2" deep
- Standard cast aluminum case



Detex Limited Warranty

3 Year Limited Manufacturer's Warranty

Riser Diagram



Shown with ECL-230X-W

Where Trust is Built™
DETEX®
 Life Safety, Security and Security Assurance

Detex Corporation
 302 Detex Drive
 New Braunfels, Texas 78130-3045 USA
 PH. (830) 629-2900
 (800) 729-3839
 FAX (800) 653-3839
<http://www.detex.com>
 USA Sales:
marketing@detex.com
 International Sales:
export@detex.com

⚠ Cancer & Reproductive Harm - www.detex.com/prop65

EXIT CONTROL LOCKS ACCESSORY

DDH-2250

Double Door Holder

The DDH-2250, Double Door Holder, is designed for use with Detex Exit Control Locks to provide locking of the inactive leaf on an outswinging double door. Release of the active leaf disengages the DDH-2250 allowing the inactive leaf to open freely.



Benefits

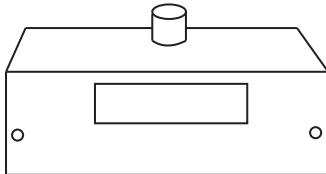
- Enables the Detex Exit Control Locks to be used with any wood, metal or glass double outswinging exit door
- Flexibility for mounting on either the left or right door
- Simple, easy operation - no mortise required
- Pushing the exit control lock opens the active leaf and automatically disengages the DDH-2250, providing instant emergency exit with both doors

Features

- Case hardened steel locking bolt
- Interchangeable pin
- Stainless steel spring providing instant release of lock bolt
- Cast housing of 3/16" durable zinc alloy
- Reversible for right or left hand doors
- 1/4" thick face plate
- Mounting kit contains, screws, allen wrench, strike plate, door protection plate and templates

Dimensions

- 7 1/8" long x 2 1/4" deep x 2 7/8" high




Detex Limited Warranty

3 Year Limited Manufacturers Warranty

Where Trust is Built™
DETEx®
Life Safety, Security and Security Assurance

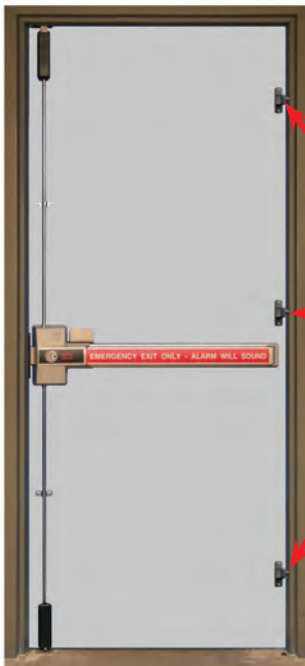
Detex Corporation
302 Detex Drive
New Braunfels, Texas 78130-3045 USA
PH. (830) 629-2900
(800) 729-3839
FAX (800) 653-3839
<http://www.detex.com>
USA Sales:
marketing@detex.com
International Sales:
export@detex.com

 Cancer & Reproductive Harm - www.detex.com/prop65

DX BOLTS

DX1- Single Hinge Bolt / DX2 - Double Hinge Bolts / DX3 Triple Hinge Bolts Hinge Side Locking Dead Bolt for Supplementary Protection

Providing hinge-side protection, the DX Bolt is an additional line of defense against break-ins. Even if the exterior door hinges are compromised the DX Bolts keep your door locked and secure. These passive deadbolts are easy-to-install and offer another layer of attack resistance. DX Bolts can be added to most applications, providing code compliant, economical, multipoint locking security. DX Bolts are available for use with all Detex panic hardware.



Shown here with:
ECL-230X-TDB-DX3
6 point lock

Benefits

- Provides additional line of defense against break-ins
- Attack-resistant design keeps door locked and secure to deter against burglaries
- Adds additional locking points, improving holding strength to slow down crowbar attacks
- Even if the hinges are cut off, the door remains locked and secure
- Easy-to-install design provides secure and accurate bolt engagement every time
- Through-bolt mounting installation improves holding strength

Features

- Can be added to almost any out-swing door application
- You choose the right level of protection with kits of 1 bolt, 2 bolts or 3 bolts
- Non-handed
- Add DX bolts to any Detex multi-point lock to create 4 point, 5 point and 6 point locking panic hardware
- Kits include through-bolt mounting hardware
- One piece stainless construction provides superior holding strength
- Excellent for exterior applications or doors that get wet

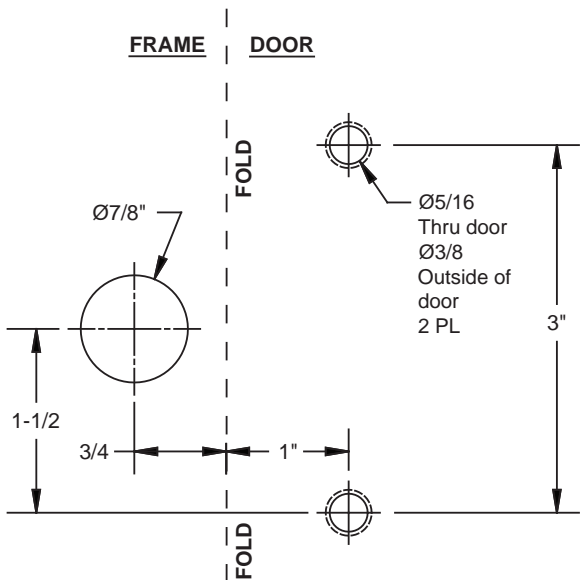
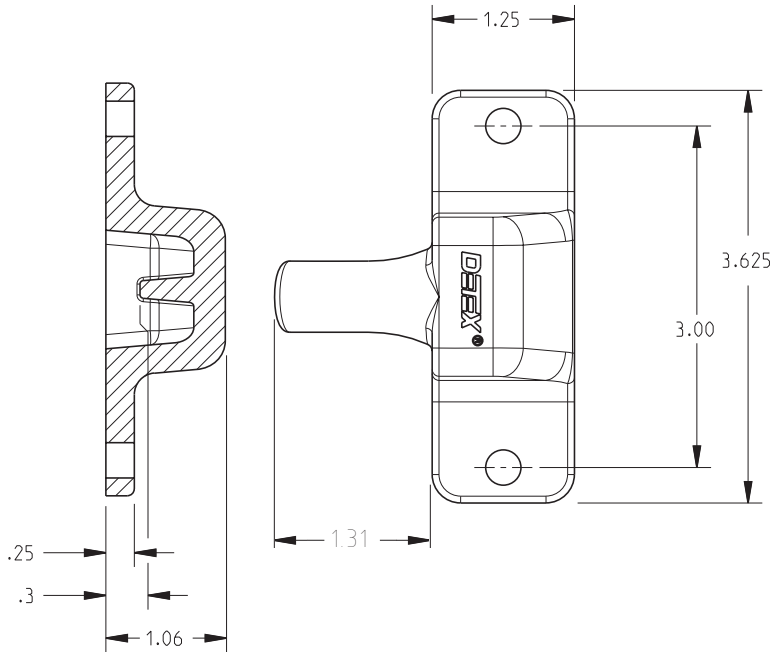
Technical Information

- Door Types - Hollow Metal, Fiberglass or Aluminum
- Door Thickness - Fits standard 1-3/4" - 2-1/4" (for other door thicknesses contact factory)
- Machine Screws with Sex Nut fasteners (Std.)

Finishes

- Available in Steel Gray (GRY) - standard Steel
- Available in Painted Black (BLK)

Dimensions



Listings and Approvals



Meets NFPA 80 & 101 for Life Safety



ANSI/BHMA Certified

Detex Limited Warranty

10 Year Limited Manufacturers Warranty



Detex Corporation
 302 Detex Drive
 New Braunfels, Texas 78130-3045 USA
 PH. (830) 629-2900
 (800) 729-3839
 FAX (800) 653-3839
<http://www.detex.com>
 USA Sales:
marketing@detex.com
 International Sales:
export@detex.com

Cancer & Reproductive Harm - www.detex.com/prop65

VERTICAL ROD ASSEMBLIES

VRA-143 SERIES

For Detex Exit Control Lock Systems (230 Series)

A Vertical Rod Assembly (VRA) is used with a Detex Exit Control Lock (ECL-230D) to provide exit control security on outswinging double doors. In addition it may be used on a single door installation to provide top and bottom latching instead of the single point latching provided by the Exit Control Lock itself.

*For ECL-230X VRA options, see 230X Series



Benefits

- 2 point locking provides extra security
- 3 versions to suit most conditions
- Surface applied - no mortise required for easy installation
- Automatically released when the ECL-230 device is activated

Features

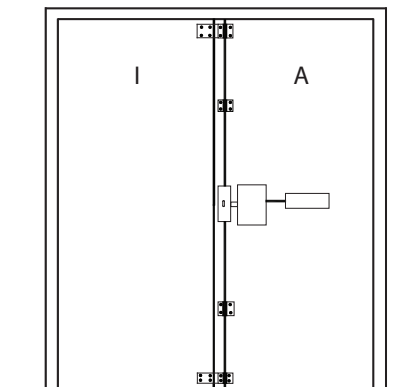
- Heavy duty 3/8" diameter bolts
- VRA-143B secures a single or a pair of doors with one ECL-230D Series Lock, allowing outside access to the active door
- 2 VRA-143C assemblies hold a pair of doors with 2 ECL-230D Series locks, allowing outside access to the active door
- 2 VRA-143D assemblies hold a pair of doors with 2 ECL-230D series locks & permit independent operation of each leaf
- Non-handed
- Sizes accommodate 80" - 120" doors

Riser Diagram

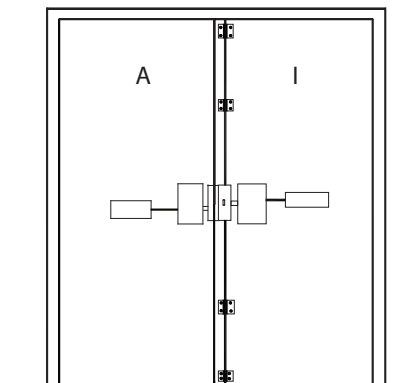
I = Inactive Leaf A = Active Leaf

A = Active Leaf I = Inactive Leaf

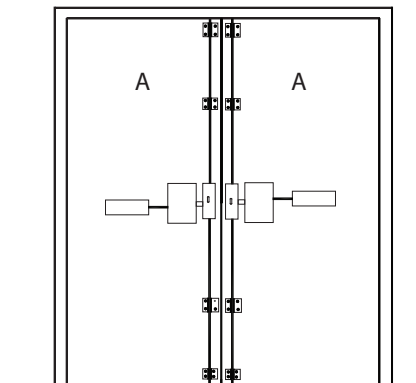
A = Active Leaf



Type "B"



Type "C"



Type "D"

Mechanical Options

- Option B (std) - Active leaf opens both
- Option C - Active leaf opens first; Inactive leaf remains locked until ECL-230D is activated
- Option D - Each leaf independent
- Door Heights - 84" (std) Special 85" to 96" and over 96"

Accessories

- ECL-230D
- ECL-230D-PH
- ECL-436K Bar Guard Kit (for use with ECL-230D)
- ECL-2100K Bar Guard Kit (for use with ECL-230D-PH)
- RC65 - Rim Cylinder
- ECL-1595 - Standard cylinder collar for ECL-230D or ECL-230D-PH
- DX Bolts for hinge locking

Technical Information

- Bolts - case hardened, heat treated and zinc plated
- Rods - steel, zinc plated
- Housing - steel, zinc plated

Listings and Approvals



“U.L. Listed
Exit Hardware”

Detex Limited Warranty

3 Year Limited Manufacturers
Warranty

Where Trust is Built™
DETEX®
Life Safety, Security and Security Assurance

Detex Corporation
302 Detex Drive
New Braunfels, Texas 78130-3045 USA
PH. (830) 629-2900
(800) 729-3839
FAX (800) 653-3839
<http://www.detex.com>
USA Sales:
marketing@detex.com
International Sales:
export@detex.com

Cancer & Reproductive Harm - www.detex.com/prop65

Life Safety and Security Door Hardware



DETEX
EAX-3500

TO ACTIVATE TIMED BY-PASS:
1) Remove key counter-clockwise (CCW), light bar illuminates, alarm silenced.
2) To add By-Pass time, press "ACTIVATE TIMED BY-PASS" button. Light bar illuminates and alarm is silenced.
3) Release button. Single green LED turns ON indicating By-Pass time added.
4) Reinsert key and pull open door.

TO ADD ADDITIONAL BY-PASS TIME:
1) Insert key and press ON with green LED turns ON. Release key.
2) Press "ACTIVATE TIMED BY-PASS" button. Light bar illuminates and alarm is silenced.
3) Release button. Single green LED turns ON indicating By-Pass time added.
4) Reinsert key and pull open door.

NOTE: When it automatically arms, door status of door closes bell or trip audibly.

TO SILENCE ALARM: Check door, reset and reinsert key.



EXIT ALARMS

EAX[®]-500 HOW TO ORDER

EXTENDED BYPASS

0 = Alarm must be manually turned off*

NON-EXTENDED BYPASS

(When arming delay expires, if the door is open, the alarm will sound)

2 = 2 min. Auto Re-arm

3 = 10 min. Auto Re-arm

4 = 20 min. Auto Re-arm

5 = Alarm sounds if door is open after arming delay. Manual Re-arm only

EAX-5

ARMING DELAY

0 = 15 Seconds*

1 = 1 Seconds

2 = 5 Seconds

WEATHERIZED

W = Weatherized

COLOR

For standard gray, leave blank

BK = Black

CYLINDER

If cylinder provided by others, leave blank

MC65 = Mortise Cylinder

IC7 = 7-pin IC Cylinder Housing (core not included)

IK7 = Cylinder InstaKey Housing (core not included)

SIGNAGE

For standard red with white letters in English, leave blank

RWS = Red with white letters Spanish

GWE = Green with white letters English

GWF = Green with white letters French

RWF = Red with white letters French Canadian

GWG = Green with white letters German

GWC = Green with white letters Chinese

GWE = Green with white letters German/English

SURFACE KIT

If door contact not required, leave blank

SK1 = Kit allows for wall mounting - includes (1) MS-1039S door contact

SK2 = Kit allows for wall mounting - includes (2) MS-1039S door contacts

SK3 = Kit allows for wall mounting - includes (1) MS-1059S door contact

SK4 = Kit allows for wall mounting - includes (2) MS-1059S door contacts

SK5 = Kit allows for wall mounting - includes (1) MS-2049 door contact

SK6 = Kit allows for wall mounting - includes (2) MS-2049 door contacts

MISCELLANEOUS

If not required, leave blank

KS = Key Stop, factory installed

STATUS INDICATOR

If status indicator not required, leave blank

SI = Status Indicator On



Detex products can expose you to chemicals including Chromium (hexavalent compounds) and Lead, which are known to the State of California to cause cancer and birth defects or other reproductive harm. For more information go to www.detex.com/prop65

* SK1 thru SK6 Kit Options not available in Weatherized

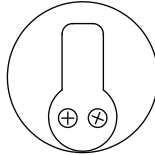
EAX® EXIT ALARMS

EAX-500

Battery Powered Door or Wall Mount Exit Alarm

The Detex EAX-500 Series is designed for applications requiring a battery-powered alarm on secured doors. The alarm, with approximately 100dB, will sound when an unauthorized exit occurs. The redesigned shape and smaller size of the EAX-500 makes it the ideal choice for quick and easy installations on emergency exit and restricted doors.

Shown with mortise cylinder
(cylinder sold separately)



Benefits

- Low cost, self-contained door alarm with piezo horn that sounds to warn unauthorized use of a door or gate
- Secure, tamper resistant housing
- Quick, easy installation saves time and money
- Door or wall mount

Features

- Patented plastic template allows for foolproof alignment of internal magnetic door contact and accurate installation
- Patented cam assembly automatically adjusts for different sizes of cylinders without use of spacers
- Modern graphics on cover to demonstrate key rotation and operation
- Tapered cover allows for installation on narrow stile doors
- Alarm can only be silenced by proper control key
- 9VDC battery operated with Low Battery Alert
- Intelligent circuit senses the external magnet location automatically and sets the correct door handing
- 100 dB piezo alarm
- Key required to reset alarm
- LED visual and audible arming indicators
- Field selectable 2-minute auto rearm, if desired
- Field selectable status indicators, if desired

Mechanical Options

- EAX-500 may be ordered in several kit configurations:
 - SK1 Kit allows for wall mounting and includes (1) white MS-1039S door contact
 - SK2 Kit allows for wall mounting and includes (2) white MS-1039S door contacts
 - SK3 Kit allows for wall mounting and includes (1) brown MS-1059S door contact
 - SK4 Kit allows for wall mounting and includes (2) brown MS-1059S door contacts
- SK5 Kit allows for wall mounting and includes (1) grey MS-2049S door contact
- SK6 Kit allows for wall mounting and includes (2) grey MS-2049S door contacts
- KS - Key Stop (Key removed only when armed)
- OKC - Outside Key Control (Rim Cylinder required)
- EAX-500SK includes exit alarm prepped for wall mounting, and surface magnetic door contacts - specify cover lock # - additional surface contacts can be ordered separately (add suffix "xMC65 or xIC7" to include factory installed cylinder)

Electrical Options

Other EAX Exit Alarms Include:

- EAX-500W- Weatherized Battery Powered
- EAX-2500 - AC Powered
- EAX-3500 includes timed bypass alarm, rechargeable battery (mortise cylinder sold separately)

- EAX-3500FK includes timed bypass alarm, rechargeable battery, flush magnetic switch and plug-in 24VDC transformer

- EAX-3500SK includes timed bypass alarm, rechargeable battery, surface magnetic switch and plug-in 24VDC transformer

Accessories

- MC65 - Detex Mortise Cylinder pre-installed at factory
- IC7 - 7 pin interchangeable core housing, pre-installed at factory (Compatible with most standard 7 pin IC format cores)

Technical Information

- Machine and Self-Drilling Screws (Std.)
- Optional Sex Nuts or Security Torx Screws available
- Optional Cylinder Nut Wrench P/N: 103779

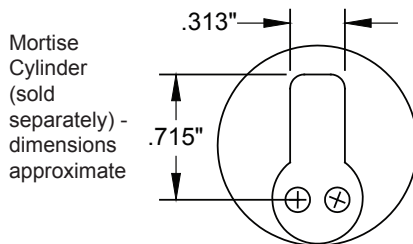
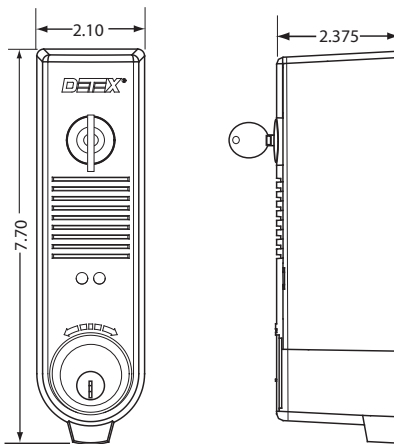


Finishes

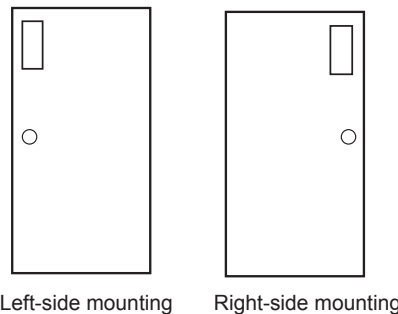
- GY - Grey
- BK - Black

Dimensions

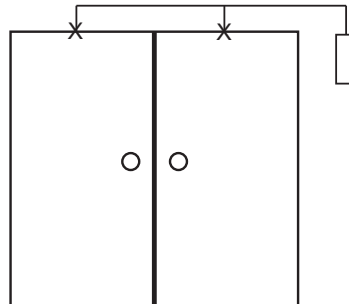
Front and Side View



Riser Diagram



Left-side mounting Right-side mounting



Door switch actuated

Double door application as shown above available with EAX-500, EAX-2500 and EAX-3500.

Note: Double door application as shown above **not** available with EAX-500W weatherized alarm.

Listings and Approvals



UL Classified Miscellaneous Fire Door Accessory



ANSI/BHMA A156.29

Detex Limited Warranty

3 Year Limited Manufacturer's Warranty

Where Trust is Built™

DETEX
Life Safety, Security and Security Assurance

Detex Corporation
302 Detex Drive
New Braunfels, Texas 78130-3045 USA
PH. (830) 629-2900
(800) 729-3839
FAX (800) 653-3839
<http://www.detex.com>
USA Sales:
marketing@detex.com
International Sales:
export@detex.com

Cancer & Reproductive Harm - www.detex.com/prop65

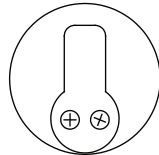
EAX® EXIT ALARMS

EAX-500W

Battery Powered Door Mounted Weatherized Exit Alarm

The Detex EAX-500W Weatherized Exit Alarm is designed for applications that require a battery-powered alarm on secured doors, particularly emergency exits that open to the outdoors or wet environment. The alarm, with approximately 100dB, will sound when an unauthorized exit occurs. The redesigned shape and smaller size of the EAX-500W makes it the choice for quick and easy installations on emergency exit and restricted doors and gates.

Shown with mortise cylinder
(cylinder sold separately)



Benefits

- Low cost, self-contained door alarm with piezo horn that sounds to warn unauthorized use of a door or gate
- Weatherized for outdoor environments
- Door or wall mount
- Secure, tamper resistant housing
- Quick, easy installation saves time and money

Features

- Patented plastic template allows for foolproof alignment of internal magnetic door contact and accurate installation
- Tapered cover allows for installation on narrow stile doors
- Intelligent circuit senses the external magnet location automatically and sets the correct door handing
- Patented cam assembly automatically adjusts for different sizes of cylinders without use of spacers
- Alarm can only be silenced by proper control key
- Extended bypass (now a standard feature) allows alarm to remain bypassed when door is open and automatically rearm upon door closing
- Modern graphics on cover to demonstrate key rotation and operation
- 100 dB piezo alarm
- 9VDC battery operated with Low Battery Alert
- LED visual and audible arming indicators
- Field selectable 2-minute auto rearm, if desired
- Field selectable status indicators, if desired
- Weatherized electronics certified to Driving Rain and Salt Fog Test (see Listings and Approvals)

Mechanical Options/Accessories

- KS - Key Stop (Key removed only when armed)
- OKC - Outside Key Control (Rim Cylinder required)
- MC65 - Detex Mortise Cylinder pre-installed at factory
- IC7 - 7 pin interchangeable core housing, pre-installed at factory (Compatible with most standard 7 pin IC format cores)

Electrical Options

Other EAX Exit Alarms (non Weatherized) Include:

- EAX-500 - Battery Powered
- EAX-2500 - AC Powered
- EAX-3500 - Timed Bypass and Rechargeable Battery

Other Weatherized EAX Exit Alarms Include:

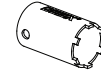
- EAX-500W - Battery Powered, Timed Bypass

Technical Information

• Door Types - Wood, Hollow Metal, Fiberglass or Aluminum

• Inswinging door applications use accessory PN 102644 (Inswing Door Kit)

• Optional Cylinder Nut Wrench P/N: 103779



• Machine and sheet metal screws (Std.)

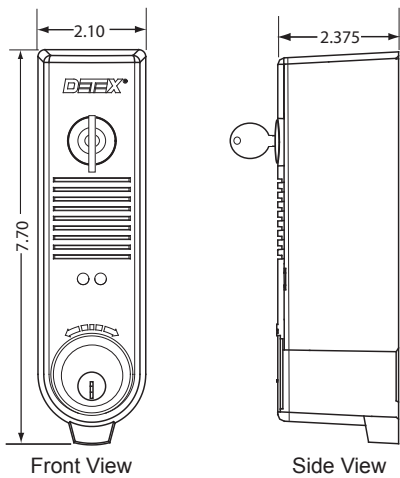
Finishes

• GY - Grey

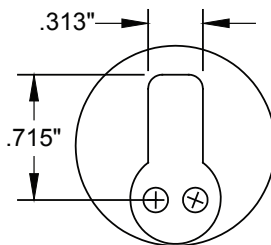
• BK - Black

Dimensions

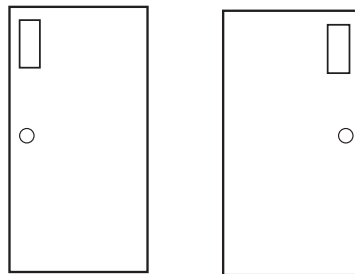
Front and Side View



Mortise Cylinder (sold separately) - dimensions approximate

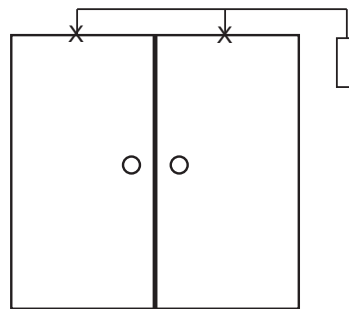


Riser Diagram



Left-side mounting

Right-side mounting



Door switch actuated

Listings and Approvals



UL Listed Miscellaneous Fire Door Accessory

MIL-STD 810F (G), Method 509.4 (Salt Fog Test)

MIL-STD 810F (G), Method 506.4 (Driving Rain), Procedure 1



ANSI/BHMA A156.29

Detex Limited Warranty

3 Year Limited Manufacturer's Warranty

Where Trust is Built™

DETEX®

Life Safety, Security and Security Assurance

Detex Corporation
302 Detex Drive
New Braunfels, Texas 78130-3045 USA

PH. (830) 629-2900

(800) 729-3839

FAX (800) 653-3839

http://www.detex.com

USA Sales:

marketing@detex.com

International Sales:

export@detex.com

⚠ Cancer & Reproductive Harm - www.detex.com/prop65

EAX[®]-2500 HOW TO ORDER

EXTENDED BYPASS

- 0** = Alarm must be manually turned off; or may be field selected for 2 min. Auto Re-arm
- 3** = Alarm must be manually turned off; or may be field selected for 10 min. Auto Re-arm
- 4** = Alarm must be manually turned off; or may be field selected for 20 min. Auto Re-arm
- 5** = Alarm must be manually turned off; or may be field selected for 3.3 hours. Auto Re-arm

EAX-25

ARMING DELAY

- 0** = 15 Second Arming Delay
- 1** = 1 Second Arming Delay
- 2** = 5 Second Arming Delay
- 4** = 4 Minute Arming Delay

BACK BOX

If no back box needed, leave blank

- S** = Surface Mounting
- F** = Flush Mounting
- SK1** = Surface Kit: Surface mount back box, 24 VAC transformer, surface door contacts
- FK1** = Flush Kit: Flush mount back box, 24 VAC transformer, flush door contacts
- C** = Conversion kit for retrofit from EA-2500F

COLOR

For standard gray, leave blank
BK = Black

CYLINDER

If cylinder provided by others, leave blank

- MC65** = Mortise Cylinder (core not included)
- IC7** = 7-pin IC Cylinder Housing (core not included)
- IK7** = Cylinder InstaKey Housing (core not included)

POWER

If power provided by others, leave blank

- IN** = Includes 220 Transformer
- 277** = Includes 277 Transformer
- L9** = Remove 9 volt Backup Battery

MISCELLANEOUS

If not required, leave blank
KS = Key Stop, factory installed

STATUS INDICATOR

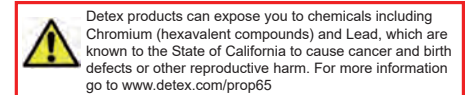
If status indicator not required, leave blank
SI = Status Indicator On

SIGNAGE

For standard red with white letters in English, leave blank

- RWS** = Red with white letters Spanish
- GWE** = Green with white letters English
- GWF** = Green with white letters French
- RWF** = Red with white letters French Canadian
- GWG** = Green with white letters German
- GWC** = Green with white letters Chinese
- GWE** = Green with white letters German/English

NOTE: * = default



September 5, 2018

EAX® EXIT ALARMS

EAX-2500

AC/DC External Powered Wall Mount Exit Alarm

The Detex EAX-2500 Series Exit Alarm is designed for applications requiring a hardwired AC/DC alarm on secure doors. The alarm, with approximately 100dB, will sound when an unauthorized exit occurs. The smaller size of the EAX-2500, which is designed to fit in a standard 4"x4" outlet box, makes it the choice for quick and easy installations on emergency exit and restricted doors.

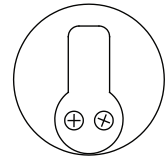


Specify EAX-2500SxMC65



Specify EAX-2500SxBKxMC65

Shown with mortise cylinder
(cylinder sold separately)



Benefits

- Field selectable features allow customer to choose status indicators and auto rearm options
- 100dB piezo horn provides security for restricted doors
- Easy to install using ordinary tools to save time and money
- New graphics on cover are easy to understand and make key operation simple
- Available in either gray or black to blend with any décor

Features

- Surface and flush mount available using 4"x4" double switch/outlet box
- Patented cam assembly automatically adjusts for different size cylinders without spacers
- Inside Key Control uses mortise cylinder with standard Yale cam
- AC/DC hardwired power with optional 9VDC backup battery
- Low battery alert is field selectable
- Silent arming feature is field selectable
- 100dB piezo horn
- Key required to reset alarm
- Tamper resistant housing and cover protects electronics
- Bypass input available
- Relay output for signaling external accessories
- Field selectable 2-minute auto rearm, if desired

Mechanical Options

- KS - Key Stop (Key removed only in on position)
- EAX-2500 Flush or Surface
- EAX-2500FK1 - Complete kit contains alarm, warning sign, flush back box, MS-2049F magnetic switch and 24VAC transformer (add suffix "xMC65 or xIC7" to include factory installed cylinder)
- EAX-2500SK1 - Complete kit contains alarm, warning sign, surface back box, MS-2049S magnetic switch and 24VAC transformer (add suffix "xMC65 or xIC7" to include factory installed cylinder)

Technical Information

- 7 pin cylinder requires 1/4-inch collar

Other EAX Exit Alarms Include

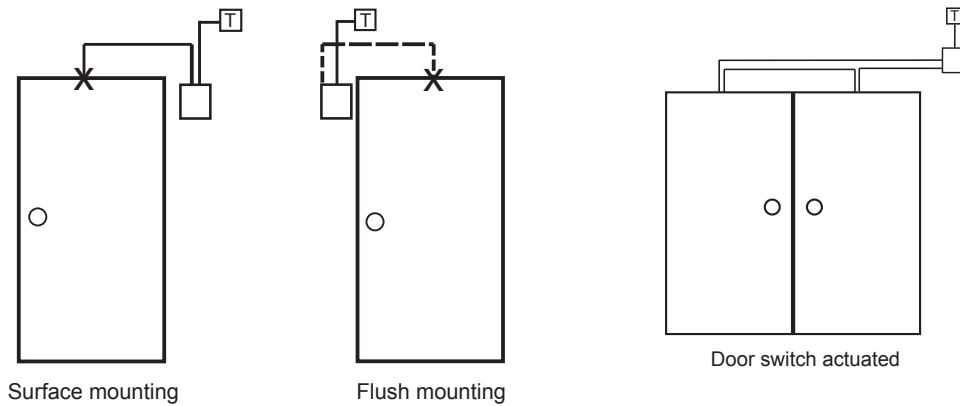
- EAX-500 - Battery Powered
- EAX-500W - Weatherized Battery Powered
- EAX-3500 - Timed Bypass and Rechargeable Battery
- EAX-300 - Door Prop
- EAX-300W - Weatherized Door Prop

Accessories

- IC7 - Interchangeable mortise cylinder (can be factory installed)
- MC65 - Mortise cylinder (can be factory installed)
- 102640 (EAX-2500C) Conversion Kit
- MS-2049, MS-1039, MS-1059 - Magnetic Switch
- Optional Cylinder Nut Wrench P/N: 103779

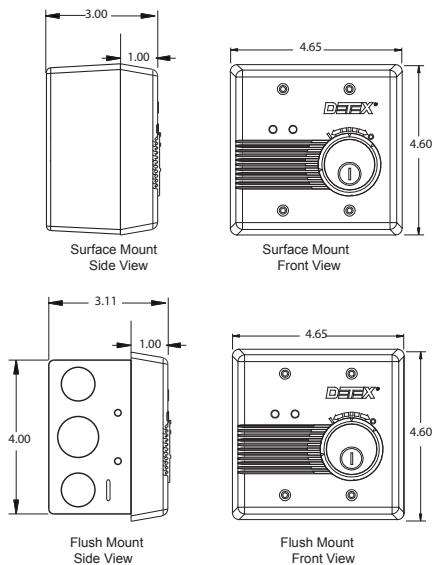


Riser Diagram

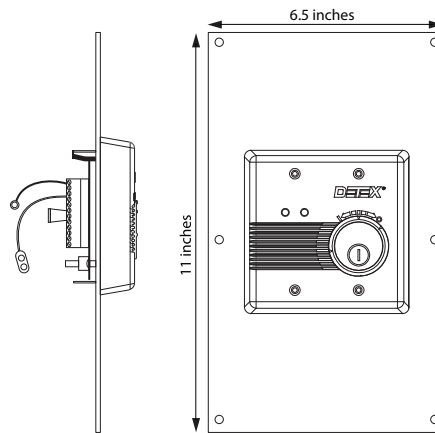


Double door application as shown above available with EAX-500, EAX-300, EAX-2500 and EAX-3500.
Note: Double door application as shown **not** available with EAX-300W or EAX-500W weatherized alarms.

Dimensions



EAX-2500C Conversion Kit Dimensions (P/N 102640)



Detex Limited Warranty

3 Year Limited Manufacturer's Warranty



Detex Corporation
 302 Detex Drive
 New Braunfels, Texas 78130-3045 USA
 PH. (830) 629-2900
 (800) 729-3839
 FAX (800) 653-3839
 http://www.detex.com
 USA Sales:
 marketing@detex.com
 International Sales:
 export@detex.com

Cancer & Reproductive Harm - www.detex.com/prop65

EAX® SERIES

EAX-2545

AC/DC External Powered Wall Mount Exit Alarm With 4 Minute Arming Delay/Non Extended Bypass

The Detex EAX-2545 Series Exit Alarm is designed for applications requiring a hardwired AC/DC alarm on secure doors. The alarm, with approximately 100dB, will sound when an unauthorized exit occurs. The smaller size of the EAX-2545, which is designed to fit in a standard 4"x4" outlet box, makes it the choice for quick and easy installations on emergency exit and restricted doors.



Specify EAX-2545SxMC65



Specify EAX-2545SxBKxMC65

Benefits

- Field selectable features allow customer to choose status indicators, silent arming and auto reararm options
- 100dB piezo horn provides security for restricted doors
- Easy to install using ordinary tools to save time and money
- New graphics on cover are easy to understand and make key operation simple
- Available in either gray or black to blend with any décor
- Tamper resistant housing and cover protects electronics

Features

- Surface and flush mount available using 4"x4" double switch/outlet box
- 4 minute Arming Delay - Door(s) can be opened and closed repeatedly during the 4 minute Arming Delay. At the end of Arming Delay, if door(s) are open, alarm sounds. If door(s) are closed, alarm automatically arms.
- AC/DC hardwired power with optional 9VDC backup battery
- Low battery alert is field selectable
- Silent arming feature is field selectable
- Alarm must be manually turned off
- Relay output for signaling external accessories
- Patented cam assembly automatically adjusts for different size cylinders without spacers
- Inside Key Control uses mortise cylinder with standard Yale cam

Mechanical Options

- KS - Key Stop (Key removed only when armed)
- EAX-2545 Flush or Surface
- EAX-2545FK1 - Complete kit contains alarm, warning sign, flush back box, MS-2049F magnetic switch and 24VAC transformer (add suffix "xMC65 or xIC7" to include factory installed cylinder)
- EAX-2545SK1 - Complete kit contains alarm, warning sign, surface back box, MS-2049S magnetic switch and 24VAC transformer (add suffix "xMC65 or xIC7" to include factory installed cylinder)

Other EAX Exit Alarms Include

- EAX-500 - Battery Powered
- EAX-500W - Weatherized Battery Powered
- EAX-3500 - Timed Bypass and Rechargeable Battery
- EAX-300 - Door Prop
- EAX-300W - Weatherized Door Prop

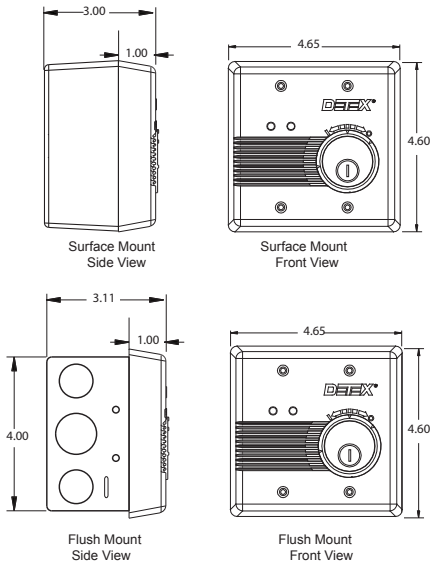
Accessories

- IC7 - Interchangeable mortise cylinder (can be factory installed)
- MC65 - Mortise cylinder (can be factory installed)
- MS-2049, MS-1039, MS-1059 - Magnetic Switch
- Optional Cylinder Nut Wrench P/N: 103779

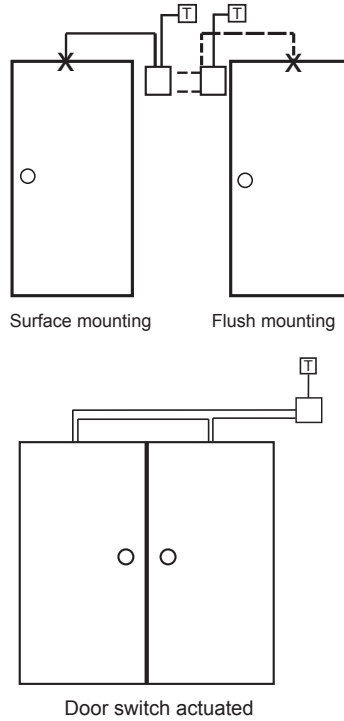


Dimensions

Front and Side View



Riser Diagram



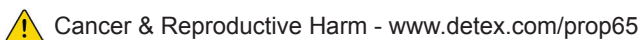
Detex Limited Warranty

3 Year Limited Manufacturer's Warranty

Double door application as shown above available with EAX-500, EAX-300, EAX-2545 and EAX-3500. **Note:** Double door application as shown above **not** available with EAX-300W or EAX-500W weatherized alarms.



Detex Corporation
 302 Detex Drive
 New Braunfels, Texas 78130-3045 USA
 PH. (830) 629-2900
 (800) 729-3839
 FAX (800) 653-3839
 http://www.detex.com
 USA Sales:
 marketing@detex.com
 International Sales:
 export@detex.com



EAX[®] EXIT ALARMS

EAX-3500

Timed Bypass Exit Alarm and Rechargeable Battery

The Detex EAX-3500 is designed for applications requiring a hard-wired, timed-bypass alarm with rechargeable backup battery. The 100dB alarm will sound when someone attempts an unauthorized exit. The EAX-3500 can be temporarily bypassed for deliveries and trash removal, but reminds manager to close and secure the door.

Shown with cylinder (mortise cylinder sold separately)



Benefits

- Allows manager to temporarily bypass the alarm, but does not allow the alarm to be turned off
- Reminds manager to close and secure the door, minimizing door prop time
- Minimizing door prop time saves energy costs
- Minimizing door prop time reduces exposure to theft and threat of robbery
- Simple, on-the-cover instructions make operation easy
- LEDs illustrate armed status and bypass time, allowing quick easy reference
- Alarm demands attention even in noisy environments
- Tamper-resistant housing and circuits prevent dishonest employees from defeating alarm
- Mortise cylinder sold separately, allowing alarm to be keyed to existing master-key system, helping to maintain key control

Features

- Hard-wired low voltage power with rechargeable battery insures uninterrupted secure power feed
- Maximum allowable bypass time can be factory set or field-adjusted to 5, 10, 20 or 40 minutes
- Bypass time is easily set using two simple slide jumpers, located inside secured enclosure
- 100dB alarm, powered by 12 to 24 VAC and rechargeable backup battery (included)
- Low battery alert
- Rechargeable backup battery provides 72-hours of operation
- Timed bypass allows alarm to remain bypassed for allotted minutes, automatically rearming upon door closing
- Accepts 5, 6 or 7-pin standard and interchangeable core mortise cylinders with a standard Yale cam
- Patented cam assembly automatically adjusts for different size/length cylinders without the use of additional spacers or cylinder collars
- Resetting the alarm can only be accomplished with a control key

Mechanical Options

- EAX-3500 includes surface mount timed-bypass alarm, rechargeable battery (mortise cylinder sold separately)
- EAX-3500SK includes surface mount timed-bypass alarm, rechargeable battery, surface magnetic switch and plug-in 24VAC transformer (mortise cylinder sold separately)
- EAX-3500FK includes flush mount timed-bypass alarm, rechargeable battery, flush magnetic switch and plug-in 24VAC transformer (mortise cylinder sold separately)

Accessories

• IC7 - Interchangeable core mortise cylinder

• MC65 - Mortise cylinder

• Optional Cylinder Nut Wrench
P/N: 103779



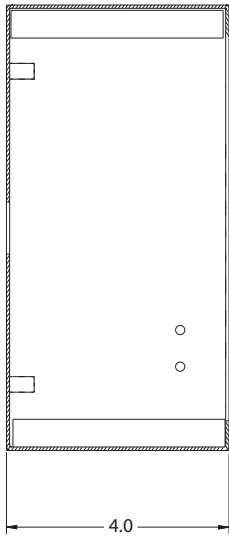
Technical Information

• Machine and Self Drilling Screws (Std.)

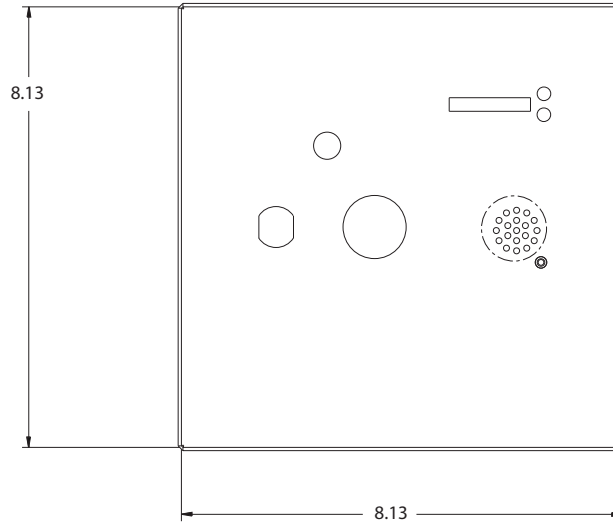
• Amp Draw - .083 Amps @ 24 VDC (Alarmed)
- .110 Amps @ 24 VDC (Door Prop)

Dimensions

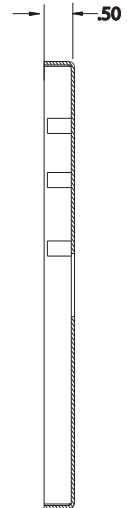
Back - Side View



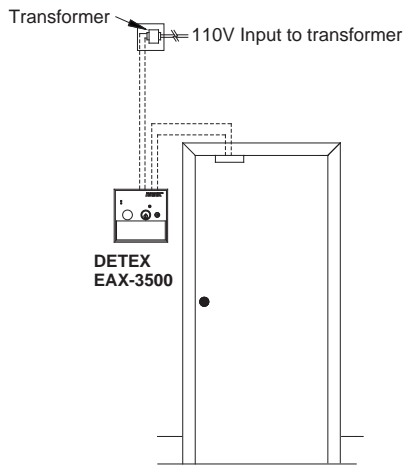
Front View



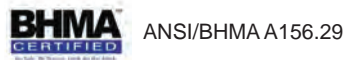
Cover - Side View



Riser Diagram



Listings and Approvals



Detex Limited Warranty

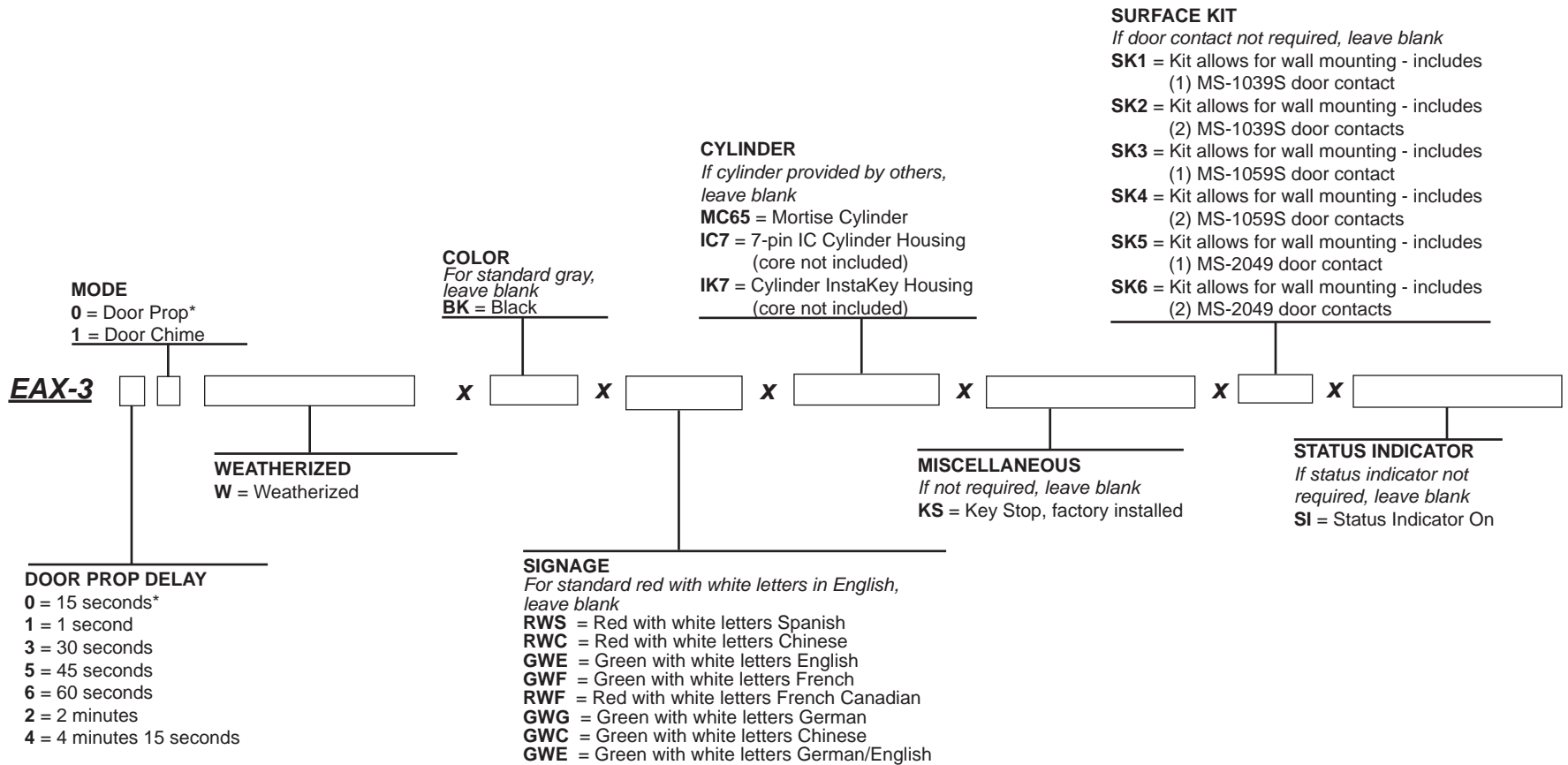
3 Year Limited Manufacturer's Warranty



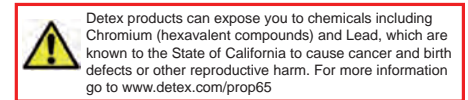
Detex Corporation
302 Detex Drive
New Braunfels, Texas 78130-3045 USA
PH. (830) 629-2900
(800) 729-3839
FAX (800) 653-3839
<http://www.detex.com>
USA Sales:
marketing@detex.com
International Sales:
export@detex.com

Cancer & Reproductive Harm - www.detex.com/prop65

EAX[®]-300 HOW TO ORDER



NOTE: * = default



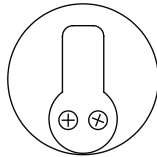
EAX® EXIT ALARMS

EAX-300

Battery Powered Door Propped Alarm

The Detex EAX-300 Series is designed for applications where doors may be used for egress or ingress, but may not be held or propped open. Door open times from 1 second to 4 minutes (15 second default) are field selectable. The smaller size makes installation quick and easy.

Shown with mortise cylinder
(cylinder sold separately)



Benefits

- Low cost, solution to propped open doors
- Door or wall mount
- Helps keep energy costs down by ensuring doors are closed
- Quick, easy installation saves time and money
- Alarm silences when door is closed, no waiting for key-holder to arrive

Features

- Secure, tamper resistant housing
- Patented plastic template assures accurate installation by providing foolproof alignment with internal magnetic door contact
- Tapered cover allows for installation on narrow stile doors
- Intelligent circuit senses the external magnet location automatically and sets the correct door handing
- 100 dB piezo alarm
- 9VDC battery operated with Low Battery Alert
- LED visual arming indicators

Field Selectable Door Prop Times

Door Prop Timer	LED indication
1 second	1 GREEN flash
15 seconds (Default)	1 RED flash - 5 GREEN flashes
30 seconds	3 RED flashes
45 seconds	4 RED flashes - 5 GREEN flashes
1 minute	1 RED & GREEN simultaneous flash
2 minutes	2 RED & GREEN simultaneous flashes
4 minutes	4 RED & GREEN simultaneous flashes

Mechanical Options

- EAX-300 may be ordered in several kit configurations:

SK1 Kit allows for wall mounting and includes (1) white MS-1039S door contact

SK2 Kit allows for wall mounting and includes (2) white MS-1039S door contacts

SK3 Kit allows for wall mounting and includes (1) brown MS-1059S door contact

SK4 Kit allows for wall mounting and includes (2) brown MS-1059S door contacts

SK5 Kit allows for wall mounting and includes (1) grey MS-2049S door contact

SK6 Kit allows for wall mounting and includes (2) grey MS-2049S door contacts

- KS - Key Stop, factory installed
- SI - Status Indicator On

Electrical Options

- Weatherized for use on gates or doors that are subjected to inclement weather

Accessories

- MC65 - Detex Mortise Cylinder pre-installed at factory

- IC7 - 7 pin interchangeable core housing, pre-installed at factory (Compatible with most standard 7 pin IC format cores)

- IK7 - Cylinder InstaKey Housing

Technical Information

- Machine and self-drilling screws

- Optional Cylinder Nut Wrench P/N: 103779



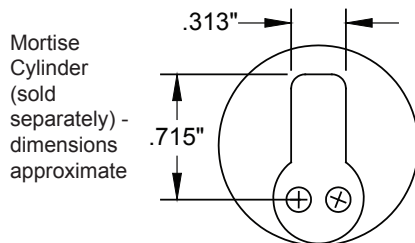
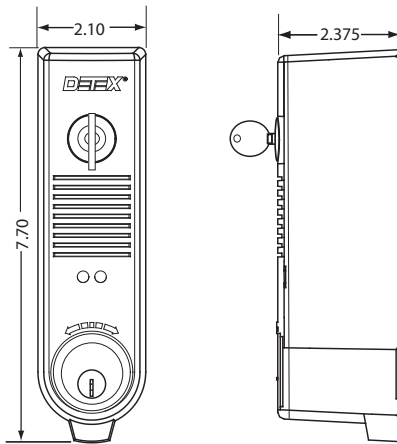
Finishes

- GY - Grey

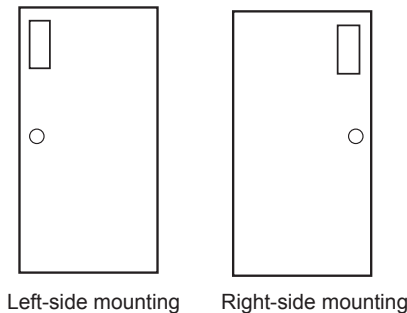
- BK - Black

Dimensions

Front and Side View



Riser Diagram



Listings and Approvals



UL Listed Miscellaneous Fire Door Accessory



ANSI/BHMA A156.29

Detex Limited Warranty

3 Year Limited Manufacturer's Warranty



Detex Corporation
 302 Detex Drive
 New Braunfels, Texas 78130-3045 USA
 PH. (830) 629-2900
 (800) 729-3839
 FAX (800) 653-3839
<http://www.detex.com>
 USA Sales:
marketing@detex.com
 International Sales:
export@detex.com

Cancer & Reproductive Harm - www.detex.com/prop65

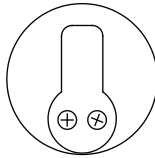
EAX® EXIT ALARMS

EAX-300W

Battery Powered Weatherized Door Propped Alarm

The Detex EAX-300W Series is designed for applications where doors that open to the outdoors or wet environments may be used for egress or ingress, but may not be held or propped open. Door open times from 1 second to 4 minutes (15 second default) are field selectable. The smaller size makes installation quick and easy on doors or gates.

Shown with mortise cylinder
(cylinder sold separately)



Benefits

- Low cost, solution to propped open doors
- Weatherized for use on gates or doors that are subjected to inclement weather
- Quick, easy installation saves time and money
- Door or wall mount
- Alarm silences when door is closed, no waiting for key-holder to arrive
- Helps keep energy costs down by ensuring doors are closed

Features

- Secure, tamper resistant housing
- Patented plastic template assures accurate installation by providing foolproof alignment with internal magnetic door contact
- Weatherized electronics certified to driving rain and salt fog test (see Listings & Approvals)
- Tapered cover allows for installation on narrow stile doors
- Intelligent circuit senses the external magnet location automatically and sets the correct door handing
- 100 dB piezo alarm
- 9VDC battery operated with Low Battery Alert
- LED visual arming indicators

Mechanical Options

- KS - Key Stop, factory installed (always armed when key removed)
- SI - Status Indicator On

Field Selectable Door Prop Times

Door Prop Timer	LED indication
1 second	1 GREEN flash
15 seconds (Default)	1 RED flash - 5 GREEN flashes
30 seconds	3 RED flashes
45 seconds	4 RED flashes - 5 GREEN flashes
1 minute	1 RED & GREEN simultaneous flash
2 minutes	2 RED & GREEN simultaneous flashes
4 minutes	4 RED & GREEN simultaneous flashes

Electrical Options

Other EAX Door-Propped Alarms (non Weatherized) Include:

- EAX-300 - Battery Powered

Other EAX Exit Alarms (non Weatherized) Include:

- EAX-500 - Battery Powered
- EAX-2500 - AC Powered
- EAX-3500 - Timed Bypass and Rechargeable Battery

Other Weatherized EAX Exit Alarms Include:

- EAX-500W - Battery Powered, Timed Bypass

Accessories

- MC65 - Detex Mortise Cylinder pre-installed at factory

- Optional Cylinder Nut Wrench P/N: 103779



- IC7 - 7 pin interchangeable core housing pre-installed at factory (Compatible with most standard 7 pin IC format cores)

- IK7 - Cylinder InstaKey Housing pre-installed at factory

Technical Information

- Door Types - Wood, Hollow Metal, Fiberglass or Aluminum

- Machine and self-drilling screws

- Inswinging door/gate applications use accessory PN 102644 (Inswing Door Kit)

- Optional Cylinder Nut Wrench P/N: 103779



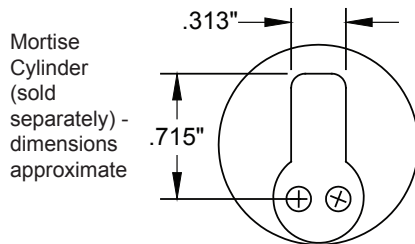
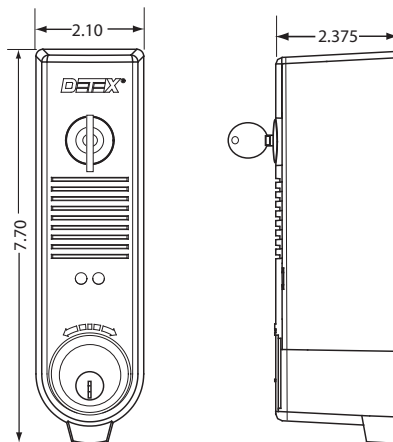
Finishes

- GY - Grey

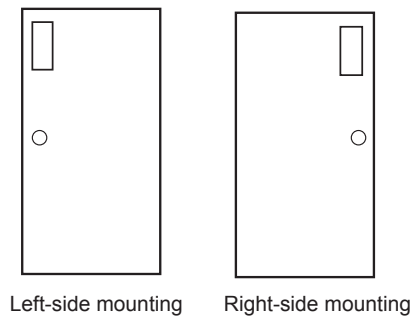
- BK - Black

Dimensions

Front and Side View



Riser Diagram



Left-side mounting

Right-side mounting

Listings and Approvals



UL Listed Miscellaneous Fire Door Accessory

MIL-STD 810F (G), Method 509.4 (Salt Fog Test)

MIL-STD 810F (G), Method 506.4 (Driving Rain), Procedure 1



ANSI/BHMA A156.29

Detex Limited Warranty

3 Year Limited Manufacturer's Warranty



Detex Corporation
 302 Detex Drive
 New Braunfels, Texas 78130-3045 USA
 PH. (830) 629-2900
 (800) 729-3839
 FAX (800) 653-3839
<http://www.detex.com>
 USA Sales:
marketing@detex.com
 International Sales:
export@detex.com

Cancer & Reproductive Harm - www.detex.com/prop65

EAX[®] EXIT ALARMS

EAX-411SK

Door Prop Alarm

The EAX-411SK AC powered door prop alarm provides a unique solution to the common security challenge associated with doors that are propped open. Helping to enhance access control systems and provide additional perimeter security, the EAX-411SK provides a custom fit for each opening with its 0 to 60 second adjustable “door open” time. When a door is left open longer than the set time, the alarm will sound. The EAX-411SK will automatically reset when the door is closed.

Specify the EAX-411SK kit which includes the ES-411, finished S1 back box, plug-in transformer and MS-1039S magnetic switch.



Benefits

- Alarm encourages door users to keep door closed
- Localized alarm notifies area personnel of security breach/ door prop condition
- Eliminating door propping helps save on energy costs
- Remote relay allows monitoring of door status from management office or guard station
- Reduces false alarms

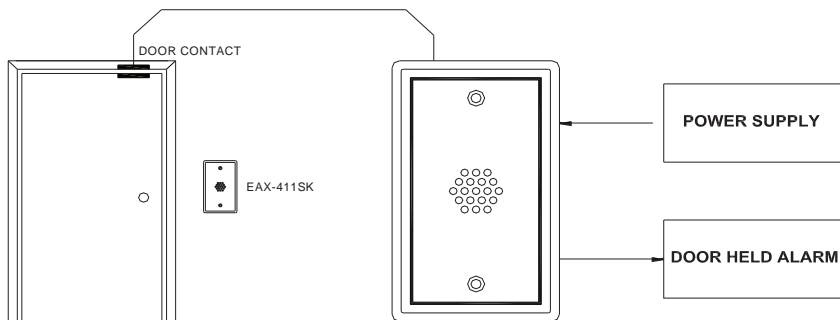
Features

- Stand alone device
- Integrates into any access control system
- Kit includes transformer and magnetic door contact
- 90dB alarm easily warns of door prop status
- Adjustable alarm delay time 0 to 60 seconds
- Alarm status relay for remote annunciation (zone monitoring)
- Automatic alarm reset/rearm upon closure of door
- Mounts in a 1 gang box (included in SK Kit)
- Flush mount, aesthetically pleasing

Technical Information

- 12 or 24 VAC/VDC @ 70 mA
- Input - Normally Closed Door Contact
- Output - Normally Closed Door Held Alarm (500mA @ 30VDC)

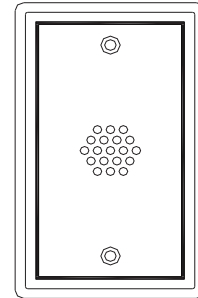
Riser Diagram



Finishes

- Painted Beige

Dimensions




2-3/4" Wide x 4-5/8" High x 2" Deep

Detex Limited Warranty

3 Year Limited Manufacturer's
Warranty

Where Trust is Built™
DETEX®
Life Safety, Security and Security Assurance

Detex Corporation
302 Detex Drive
New Braunfels, Texas 78130-3045 USA
PH. (830) 629-2900
(800) 729-3839
FAX (800) 653-3839
<http://www.detex.com>
USA Sales:
marketing@detex.com
International Sales:
export@detex.com

 Cancer & Reproductive Harm - www.detex.com/prop65

EAX® EXIT ALARMS

EAX-4200

Door Management Alarm

The EAX-4200 Series Door Management Alarm offers door prop/door held, intrusion/door forced, and exit alarm detection capabilities to provide complete monitoring of access control points in one easy to use master unit. The DMA may also be used as a stand-alone device. The unit is typically mounted near the monitored door.

Specify the EAX-4200SK kit which includes ES4200-K4, RC65 rim cylinder, S3 finished back box, TP-24 plug-in transformer and MS-1039S mag switch.



Benefits

- Audible warning reduces false door held alarms
- Reduces workload of security personnel
- Aesthetically pleasing design
- Flexible interfacing with electric door locks
- Compatible with all access control systems
- Tamper resistant
- Encourages employees to maintain access control procedures
- Can be used as a stand-alone product
- Easy installation

Features

- Kit packaging provides all required accessories in one box
- Field selectable alarm timing and alarm delay option
- Alarm status relay for remote annunciation
- Automatic alarm reset/rearm upon closure of door
- Mounts in a 3 gang box (included in kit)
- Uses standard rim cylinder
- Visual Status indicator
- Incorporates form C output relays
- Flush mount
- Reset/bypass keyswitch and remote input
- Field selectable: high (103dB) or low (96dB) level sounder

Mechanical Options

- Key switch for alarm/shunt override
- Timer settings are field adjustable

Electrical Options

- Voltage sense input
- 4 separate Form C contacts - 1Amp @ 30VDC

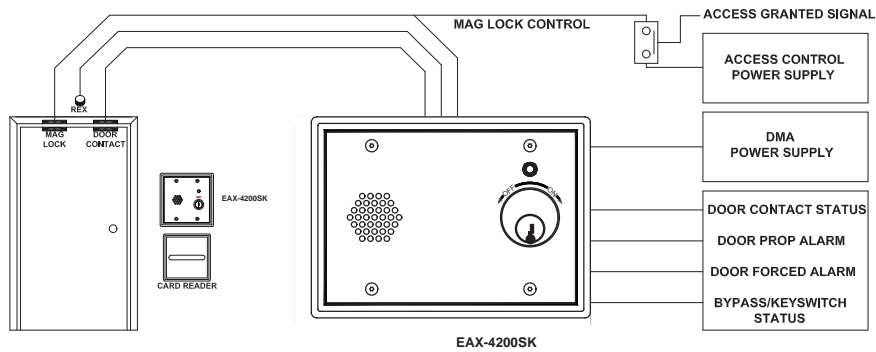
Technical Information

- 12 to 24VAC/VDC @ 250 mA
- 96 and 103dB field selectable

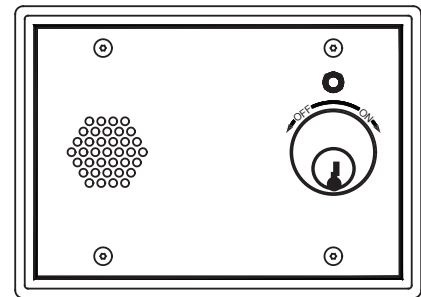
Finishes

- Painted aluminum

Riser Diagram



Dimensions



- 6.4" w x 4.5" h x 2.8" d

Detex Limited Warranty

3 Year Limited Manufacturer's Warranty

Where Trust is Built™
DETEx®
Life Safety, Security and Security Assurance

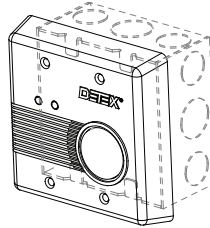
Detex Corporation
302 Detex Drive
New Braunfels, Texas 78130-3045 USA
PH. (830) 629-2900
(800) 729-3839
FAX (800) 653-3839
<http://www.detex.com>
USA Sales:
marketing@detex.com
International Sales:
export@detex.com

 Cancer & Reproductive Harm - www.detex.com/prop65

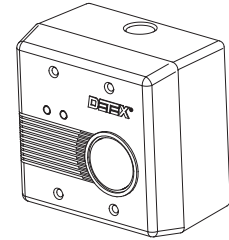
REMOTE ALARMS

CS940/950F; CS940/950S; CS2940/2950F; CS2940/2950S

The CS900/2900 Series Remote Alarms are designed to sound an alarm when a signal is sent from a door switch, remote relay output, or another alarm. The piercing 100dB alarm will alert management of a security breach even in a noisy environment. When the cause of the alarm has been secured, the remote alarm is automatically silenced.



**CS900/2900F Series
Flush Mounted
Remote Alarm**



**CS900/2900S Series
Surface Mounted
Remote Alarm**

CS900 Series 9VDC Battery Powered
CS2900 Series External Powered (Plug-in Transformer Included) with 9VDC Battery Backup

Benefits

- No cylinder required - cylinder dummy included
- 100dB alarm sounds when triggered by main alarm, demanding attention
- Silencing the main alarm automatically resets the remote alarm

Features

- Installed in a double switch/outlet box (flush units)
- Red LED lights up when alarm sounds
- Available in gray (CS940/CS2940) or black (CS950/CS2950)
- Battery Backup (2900 Series)
- Flush mount (specify suffix F) or Surface mount (specify suffix S)

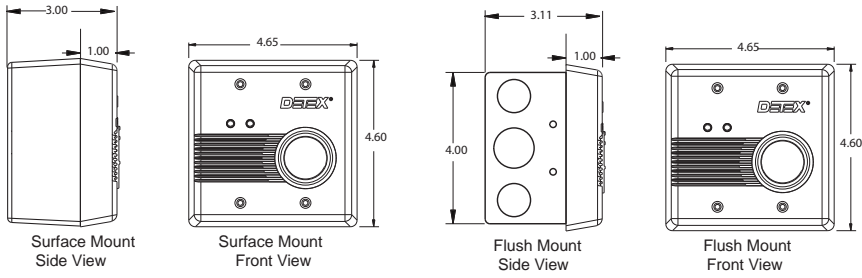
Mechanical Options

- SSK4 - Tamper Proof Kit - Adds tamper resistance

Technical Information


- 9VDC Battery (CS900)
- Monitors an open contact
- Remote alarm can be up to 1000 feet from primary alarm with 18 gauge twisted pair wire
- CS2900 includes 120VAC plug-in adapter
- Max current draw - 50mA

Dimensions



Where Trust is Built™
DETEX®
Life Safety, Security and Security Assurance

Detex Corporation
302 Detex Drive
New Braunfels, Texas 78130-3045 USA
PH. (830) 629-2900
(800) 729-3839
FAX (800) 653-3839
<http://www.detex.com>
USA Sales:
marketing@detex.com
International Sales:
export@detex.com

 Cancer & Reproductive Harm - www.detex.com/prop65

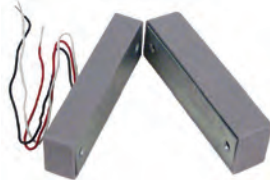
MAGNETIC SWITCH

MS-2049F, MS-2049S, MS-2049SC, MS-2049SI

These magnetic switches are designed primarily to serve as sensing devices to detect the opening of a door or window; to assure that a protected door is securely under surveillance; to serve as a trigger for a wall-mounted Detex Exit Alarm; to signal that a door has been inadvertently left open; and to be used as a direct switch to set off many kinds of audio and visual alarms.



**MS-2049F Flush
Magnetic Switch**



**MS-2049S Surface Mounted
Magnetic Switch**



**MS-2049SC Surface Mounted
Magnetic Switch
with conduit connector for use
with thin-wall conduit**



**MS-2049SI Surface Mounted
Magnetic Switch
for In-Swinging Doors**

Benefits

- Provides assurance that protected doors are under surveillance
- Serves as a trigger for alarms or remote monitors
- UL listed for use on fire rated doors and assemblies

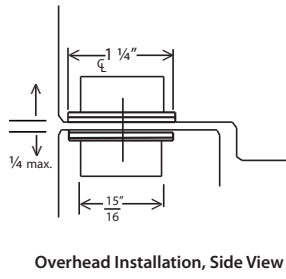
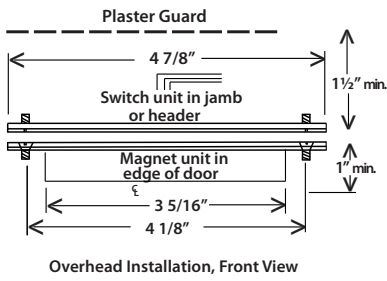
Features

- Tamper protection - mounting screws inaccessible when door closed
- Components potted to protect against shock and moisture
- Easy installation with concealed wiring and color coded leads
- Surface mounted units are housed in a durable high impact ABS thermoplastic, a UL listed material used in the manufacture of telephones, auto bodies, etc.
- Wide range of alarm and signal applications
- Minimizes false signals due to loosely closed doors
- Switch rated for over one million operations under load

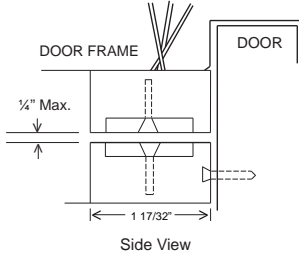
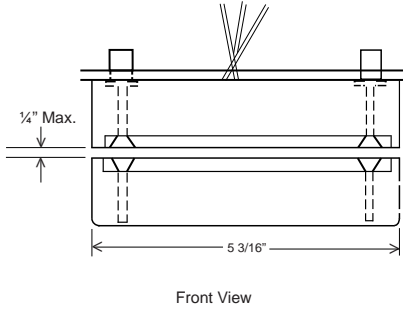
Technical Information

- Maximum contact ratings - 24VDC @ .5A
- For use on steel, aluminum or wood doors and frames
- May be mounted on stiles as narrow as 1-3/8"
- Overhead (preferred) or latch-stile mounting available for all models
- Switch - single pole, double throw (SPDT)
- The flush device (MS-2049F) should have the switch contact housed in the door frame and the magnet mortised in the edge of the door
- Wiring leads, 12" long, color coded, concealed

Dimensions (MS-2049F)

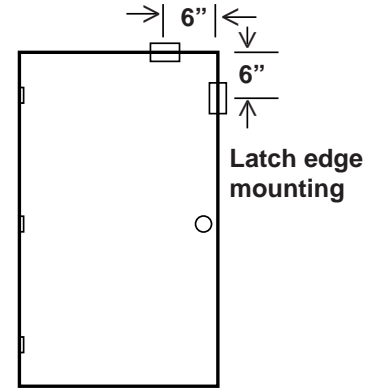


Dimensions (MS-2049S)



Riser Diagram

Overhead mounting (preferred)



Listings and Approvals



"UL Listed Miscellaneous Fire Door Accessories"
 "UL Listed Door Position Switch"

Detex Limited Warranty
 3 Year Limited Manufacturers Warranty

Cancer & Reproductive Harm - www.detex.com/prop65



Detex Corporation
 302 Detex Drive
 New Braunfels, Texas 78130-3045 USA
 PH. (830) 629-2900
 (800) 729-3839
 FAX (800) 653-3839
<http://www.detex.com>
 USA Sales:
marketing@detex.com
 International Sales:
export@detex.com

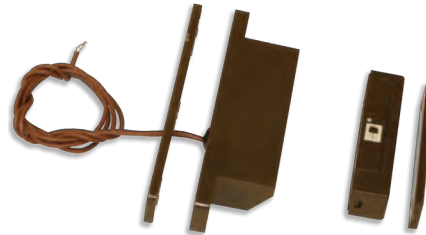
MAGNETIC SWITCH

MS-1039F, MS-1039S, MS-1059F, MS-1059S

These magnetic switches are designed primarily to serve as sensing devices to detect the opening of a door or window; to assure that a protected door is securely under surveillance; to serve as a trigger for a wall-mounted Detex Exit Alarm; to signal that a door has been inadvertently left open; and to be used as a direct switch to set off many kinds of audio and visual alarms.



MS-1039F (White) / MS-1059F (Brown)
Flush Magnetic Switch
(MS-1059F Shown)



MS-1039S (White) / MS-1059S (Brown)
Surface Mounted
Magnetic Switch
(MS-1059S Shown)

Benefits

- Anti-Tamper Design
- Provides assurance that protected doors are under surveillance
- BMS - Balanced Magnetic Switch provides improved security
- Serves as a trigger for alarms or remote monitors
- Simple Installation

Features

- Polarity selection is non-critical
- Flush switches are self-locking
- Color selection white/brown
- Flush switches are solid, one-piece design with no need for extra donut adapters
- Durable Magnet
- Wide range of alarm and signal applications

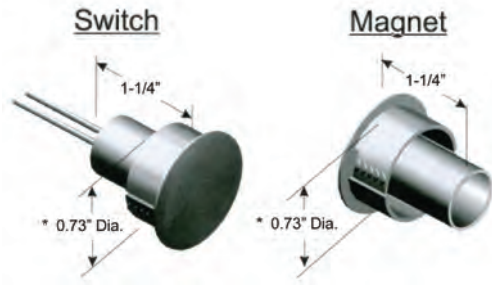
Technical Information

- Surface switches have Max. Contact rating 30VDC @ 250mA
- Overhead (preferred) or latch-stile mounting available for all models
- The MS-1039F (Flush mount) should have the switch contact housed in the door frame and the magnet mortised in the edge of the door
- Flush switches have Max. Contact rating 28VDC, 0.5A, 10W
- Switch - single pole, single throw (SPST)
- Normally closed contact
- For use on steel, aluminum or wood doors and frames

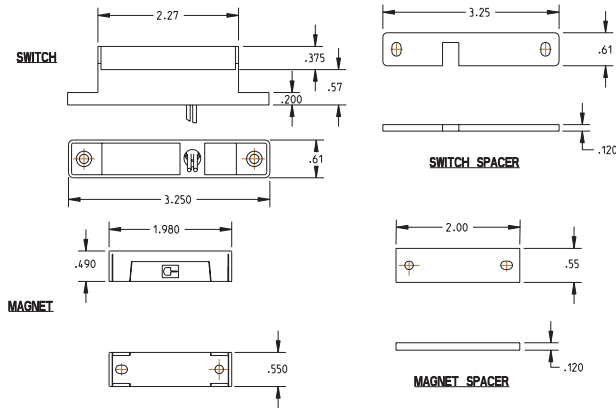
Finishes

- MS-1039F/S - White
- MS-1059F/S - Brown

Dimensions (MS-1039F/MS-1059F)

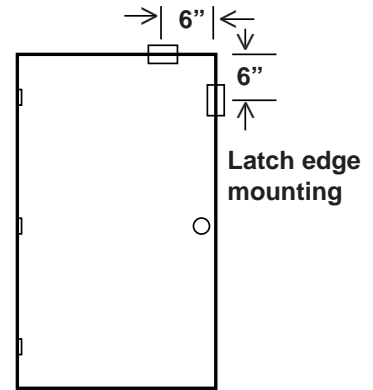


Dimensions (MS-1039S/MS1059S)



Riser Diagram

Overhead mounting (preferred)



Detex Limited Warranty
3 Years Limited Manufacturers
Warranty



Detex Corporation
302 Detex Drive
New Braunfels, Texas 78130-3045 USA
PH. (830) 629-2900
(800) 729-3839
FAX (800) 653-3839
<http://www.detex.com>
USA Sales:
marketing@detex.com
International Sales:
export@detex.com

Cancer & Reproductive Harm - www.detex.com/prop65

Life Safety and Security Door Hardware

REDI-KEY



Where Trust is Built™
DETEX®
Life Safety and Security Door Hardware

REDIKEY KEY VAULT

FS-3000 FS-3000S

The RediKey by Detex is a quick access system designed to provide emergency personnel rapid access to multiple buildings without having to carry numerous keys or change and alter existing locks. When these personnel arrive at the entry door, they unlock the key safe with a key designed to open all building key safes in their area. They then remove the building entry key and unlock the door to provide the service needed. Featuring the Medeco patented biaxial high-security, drill resistant, mortise cylinder, the RediKey offers the highest security for your building's access key.



Benefits

- Around-the-clock, on-the-spot controlled access for the immediate security or support requirements of your business
- Empowers approved services like fire departments, police departments, guard service, janitorial services, armored guard services to respond quickly and decisively
- Reduces the costs of managing a large inventory of building facility keys
- One key allows rapid entry to multiple buildings/facilities
- Designed for highest security from attack and vandalism

Features

- Pickproof, drill resistant, MEDECO® mortise cylinder
- Burglar-proof, hardened steel weather-resistant vault casing
- Simple installation usually requires less than 1 hour of labor for doors up to 3" thick, walls and free standing posts
- Restricted Detex Key Control level prevents unauthorized key duplication
- Tamperproof mounting hardware
- UL rated anti-theft device

Electrical Options

- Maintained, SPDT switch for use on automatic gates

Accessories

- Padlock with steel shackle resists cutting or pulling attack

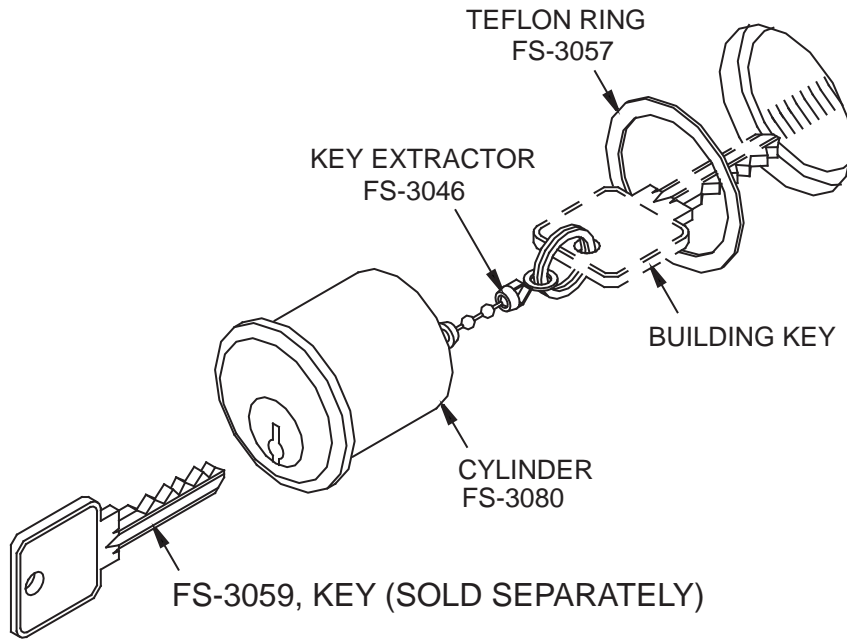
Dimensions

- Dimensions:
4 1/4" long, 1 3/4" diameter
- Weight: 2 1/2 pounds

Detex Limited Warranty

3 Year Limited Manufacturers Warranty

Cylinder Installation



Where Trust is Built™
DETEX®
Life Safety, Security and Security Assurance

Detex Corporation
302 Detex Drive
New Braunfels, Texas 78130-3045 USA
PH. (830) 629-2900
(800) 729-3839
FAX (800) 653-3839
<http://www.detex.com>
USA Sales:
marketing@detex.com
International Sales:
export@detex.com

 Cancer & Reproductive Harm - www.detex.com/prop65

Life Safety and Security Door Hardware



ACCESS CONTROL

STAND ALONE KEYPADS

DTX-2100 Series

Single Door Stand Alone Keypad

The DTX-2100 keypad uses hardened backlit keys and the DTX-2110 uses metal Braille alpha-numeric keys to ensure long-term durability and high-quality performance. DTX-2100/2110 keypads are designed for both indoor and outdoor surface/flush mount applications. The DTX-2120 mounts directly to mullion door frames or most flat surfaces with no backbox required. The convenience of the built-in doorbell feature on the DTX-2120 with the sleek design make it an easy choice for entrance installations. The electronics for each keypad are conformal coated in order to provide excellent protection from the elements.



DTX-2100
(Backlit Keypad)



DTX-2110
(Durable Metal Keypad - with braille)



DTX-2120
(Mullion Mount Backlit Keypad)

Benefits

- Affordable single-door security application in new or existing structures
- Dependable service and security in most environments
- Easy installation
- Multi-user capabilities
- Controls unauthorized access/egress
- Flexible programming capable

Features

DTX-2100

- 500 users
- Single gang flush mount design
- Backlit hardened keys
- Polycarbonate trim
- Conformal coating
- Light/Medium Duty
- Key press feedback via sounder and yellow LED
- Built-in assignable sounder
- Bi-color Red/Green LED indicates relay status
- Indoor/outdoor use
- Keypad programmable
- DTX-4000 Hub Manager Compatible
- 3 year warranty
- UL 294 Listed

DTX-2110

- 500 users
- Single gang flush mount design
- Metal braille alpha-numeric keys
- Brushed metal trim
- Conformal coating
- Harsh conditions/Heavy duty
- Key press feedback via sounder and yellow LED
- Built-in assignable sounder
- Bi-color Red/Green LED indicates relay status
- Indoor/outdoor use
- Keypad programmable
- DTX-4000 Hub Manager Compatible
- 3 year warranty
- UL 294 Listed

DTX-2120

- 120 users
- Surface mount - fits on door mullion
- Backlit hardened keys
- Aluminum enclosure
- Conformal coating
- Light/Medium duty
- Door position monitoring
- Door ajar, forced door, alarm shunt outputs
- Sounder
- Indoor/outdoor use
- Door bell relay
- 3 year warranty
- UL 294 Listed

Features Continued

DTX-2100

- Relay Contact Rating 2A @ 30VAC/DC (Main & Aux.)
- Door Position Inputs
- Request to Exit Input
- Alarm Shunt
- Temperature tolerance: -20F to 130F

DTX-2110

- Relay Contact Rating 2A @ 30VAC/DC (Main & Aux.)
- Door Position Inputs
- Request to Exit Input
- Alarm Shunt
- Temperature tolerance: -20F to 130F

DTX-2120

- 3 - 1 amp SPDT relays in controller
- Door Position Inputs
- Request to Exit Input
- Alarm Shunt
- Temperature tolerance: -20F to 130F

Technical Information

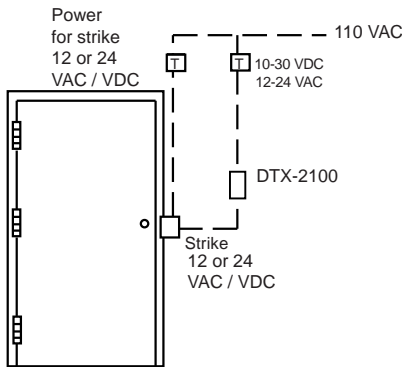
- 10-30 VDC; 12-24 VAC auto-adjusting
- 30 mA
- Power Supply 90-800

- Transformers - Hard Wired
Detex P/N - PP-5152-2 (24 VAC)
PP-5152-3 (12 VAC)

- Transformers - Plug In
TFMR12 (12VDC)
(Contact Factory for additional Power Supply Options)

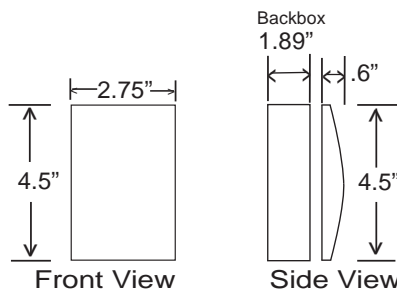
- Electric strike or other locking device powered at 12 or 24 VAC up to 2 amps

Riser Diagram

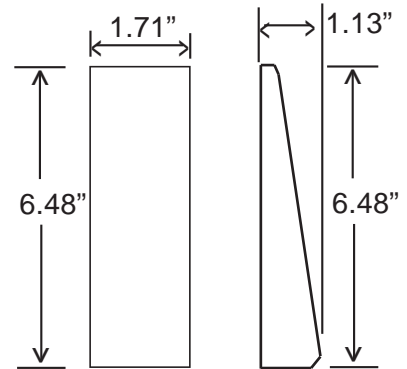


Dimensions

DTX-2100 and DTX-2110



DTX-2120



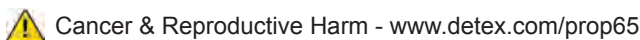
Listings and Approvals



Detex Limited Warranty
3 Year Limited Manufacturer's Warranty



Detex Corporation
302 Detex Drive
New Braunfels, Texas 78130-3045 USA
PH. (830) 629-2900
(800) 729-3839
FAX (800) 653-3839
<http://www.detex.com>
USA Sales:
marketing@detex.com
International Sales:
export@detex.com



Stand-Alone Proximity Reader/Keypad

DTX-2300 Series

Single Door Stand Alone Proximity Reader/Keypad

The DTX-2300 is a stand alone single door access control with a proximity reader and keypad. The DTX-2300, when used on it's own, provides cost effective standard access control functionality with the use of it's two relays and two inputs for request to exit and door position. The proximity reader is capable of being mounted up to a maximum of 10 feet away from the DTX-2300 (see image below).



Reader/Keypad



Remove proximity reader from keypad to mount reader and wire up to 10 feet away from DTX-2300 keypad.

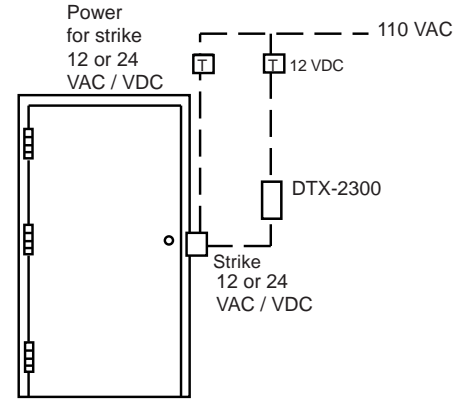
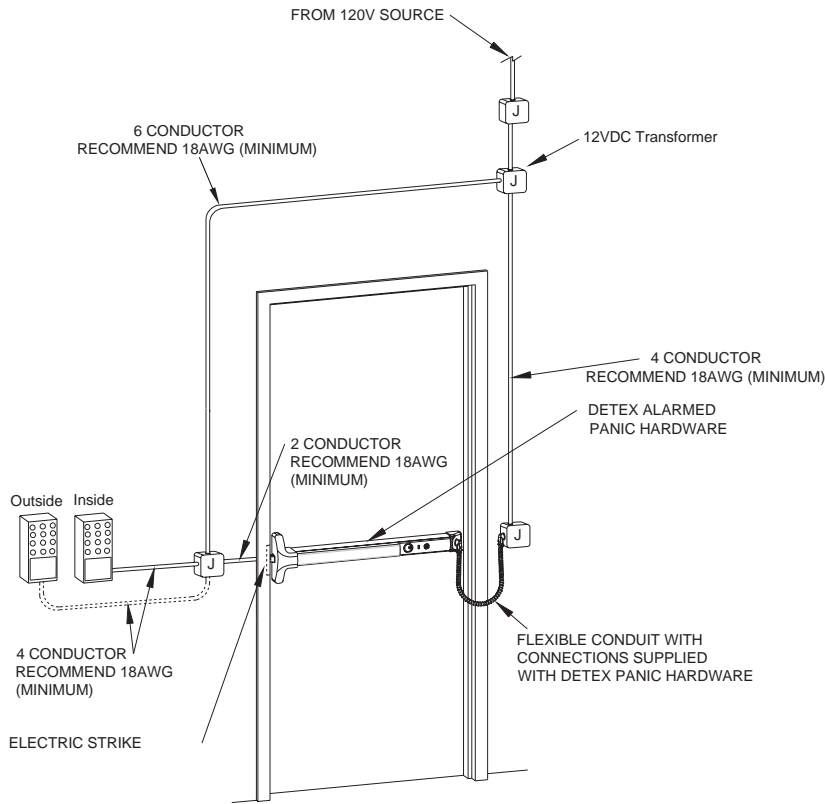
Features

- Proximity reader and keypad
- Bi-color LED to indicate operation
- Weather resistant design
- 2000 Users
- HID 26 - 40 bit format card compatibility
- Weigand compatible
- HID Corporate 1000 compatible
- Remote proximity reader mounting and glass mount option
- No audit trail available in stand alone unit
- 3 year warranty
- UL 294 Listed

Technical Information

- Dimensions: 2.75" W x 5.25" H x 1.38" D
- Main relay: Form C 2 amp SPDT controls lock
- Indoor / outdoor use
- Operating voltage: 12 VDC only
- Auxiliary Relay: Form C 1 amp SPD
- Request to Exit Input
- Temperature tolerance: -31F to 150F

Riser Diagram



Listings and Approvals

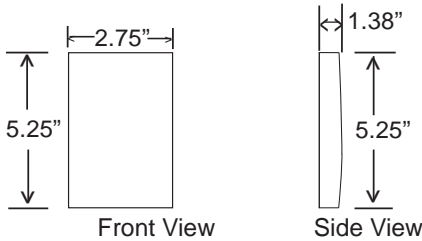


UL 294 Listed

Detex Limited Warranty
 3 Year Limited Manufacturer's
 Warranty

Dimensions

DTX-2300 Stand Alone



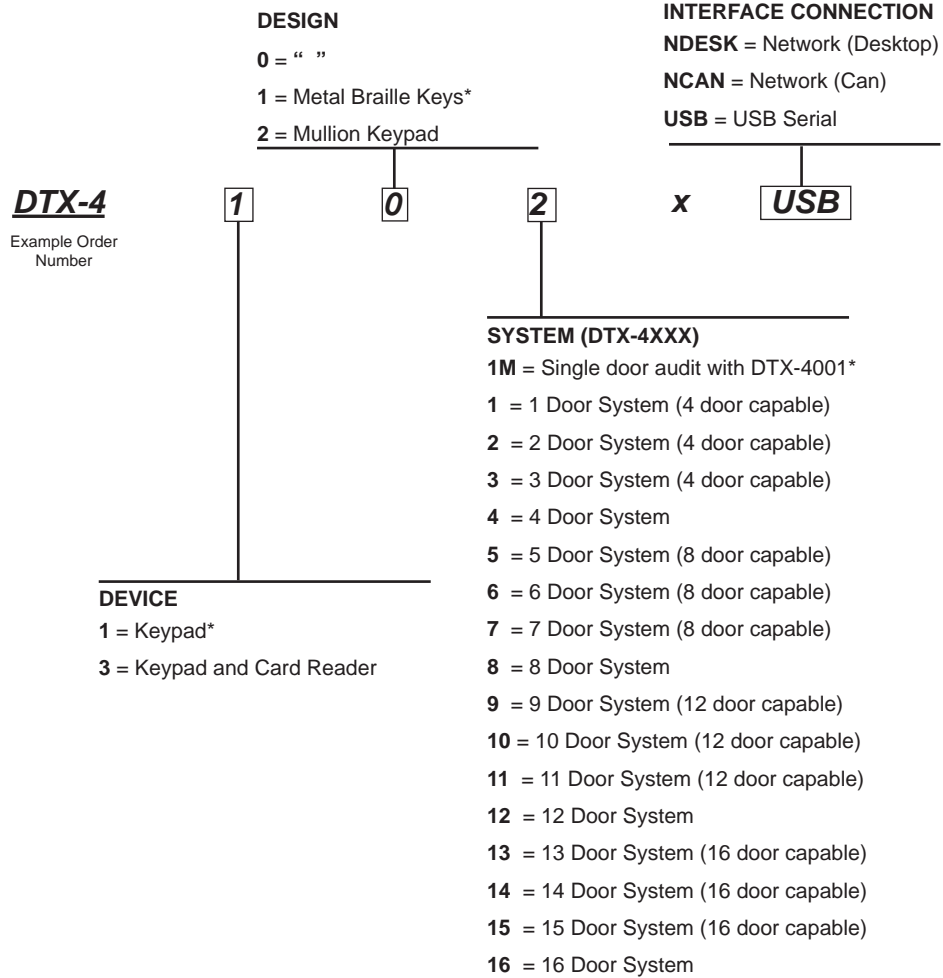
Cancer & Reproductive Harm - www.detex.com/prop65

Where Trust is Built™
DETEx®
Life Safety and Security Door Hardware

Detex Corporation
 302 Detex Drive
 New Braunfels, Texas 78130-3045 USA
 PH. (830) 629-2900
 (800) 729-3839
 FAX (800) 653-3839
<http://www.detex.com>
 USA Sales:
marketing@detex.com
 International Sales:
export@detex.com

DTX[®]-4000 SERIES ACCESS CONTROL

HOW TO ORDER



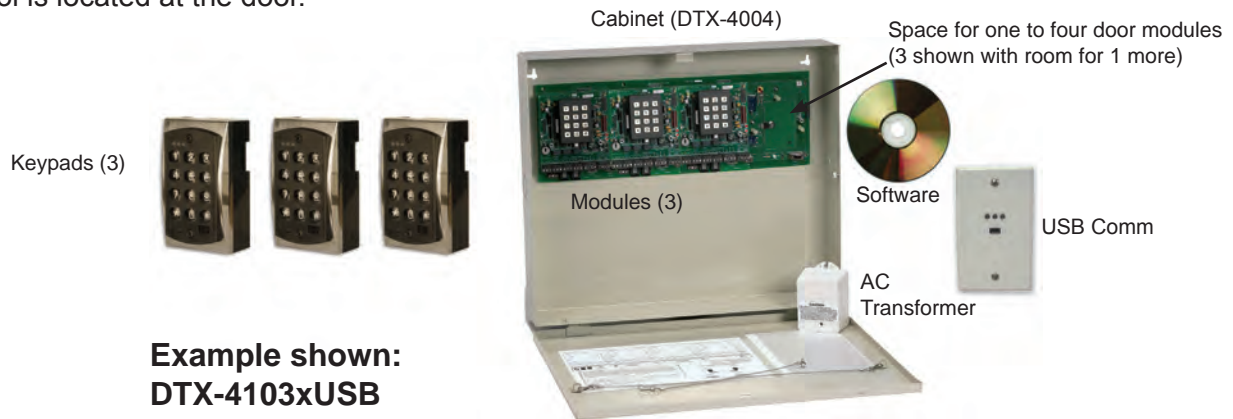
* Default if left blank

ACCESS CONTROL SYSTEM

DTX-4100 Series

Multi-Door Access System with Keypad and USB or Network

The Multi-Door access system with software is “access simplified”. The system is powerful and easy to install and program for small to mid-sized applications. It provides a secure and trusted access control system that uses proven hardware architecture. System management from a PC can be either over a LAN/WAN connection or through a RS485 serial connection. All individual door access decisions and transaction events are stored at the module. Programming is done via LAN, WAN, or RS-485, using the Hub Manager Professional Software. System expansion is made simple with the modular design of the two available configurations (DTX-4004 or DTX-4001). The DTX-4004 provides the simplest expansion of one to four doors per cabinet when the system needs to be installed in a central location. The DTX-4001 configuration (single door control system) is ideal for applications where the doors are far apart and/or the control is located at the door.



Benefits

- Affordable multi-door security application in new or existing structures
- Fast and reliable communications
- Dependable service and security in all environments
- Multi-user capabilities
- Flexible programming capable
- Easy installation
- Controls unauthorized access/egress

Features

- **DTX-410X (X denotes # of doors)**
- 2000 users per door
- Network up to 16 doors
- 2000 transaction storage per door
- First-In auto unlock
- 8 time zones per door
- 15 Single date holidays per door
- 15 Block date holidays per door
- Error Lockout
- Supports adjustable Daylight Savings Time
- Programmable with Hub Manager Professional Software 7.2 or higher
- Serial connection made with USB to 485 converter
- Single gang flush mount design
- Keypads: Backlit hardened keys, durable metal (with braille) keys or mullion mount backlit keys
- Polycarbonate trim
- Conformal coating
- Key press feedback via sounder and yellow LED
- Built-in assignable sounder
- Bi-color Red/Green LED indicates relay status
- Indoor/outdoor use
- 3 year warranty
- UL 294 Listed

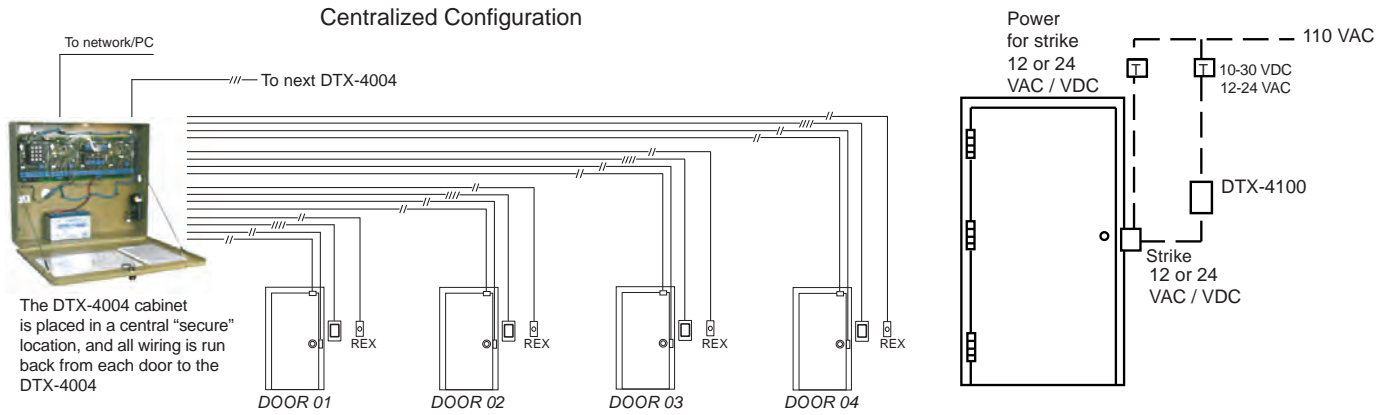
Technical Information

- Relay Contact Rating for DTX-4100 or DTX-4110: 2A@ 30VAC/DC (Main & Aux.) and Relay Contact Rating for DTX-4120: 3 - 1 amp SPDT relays in controller
- Request to Exit Input
- Independent Outputs
- Configurable Outputs
- Wiegand Outputs

Technical Information Continued

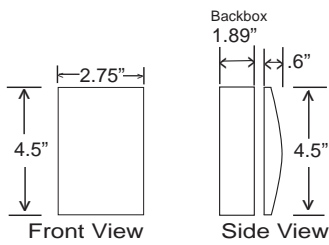
- Operating Voltage: 16.5 VAC
40 VA Class 2 Transformer
(Plug-In Transformer included)
- Current Requirements: 100mA
(backplane & 1 module) add 40mA
for each module / DTX-4004 -
Current Requirements: 120mA
- Alarm shunt, door ajar, forced door
outputs: 12-24 VAC/DC 1mA each
- Temperature tolerance:
-20F to 130F
- DTX-4004 / DTX-4001: Indoor
use only

Riser Diagram

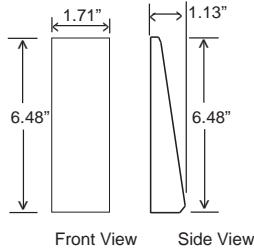


Dimensions

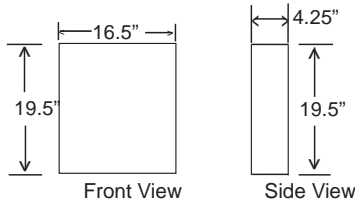
DTX-4100 and DTX-4110



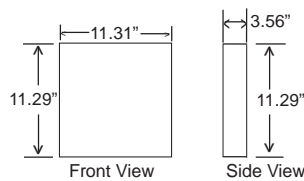
DTX-4120



DTX-4004



DTX-4001



Listings and Approvals



UL 294 Listed

Detex Limited Warranty
3 Year Limited Manufacturer's
Warranty



Detex Corporation
302 Detex Drive
New Braunfels, Texas 78130-3045 USA
PH. (830) 629-2900
(800) 729-3839
FAX (800) 653-3839
http://www.detex.com
USA Sales:
marketing@detex.com
International Sales:
export@detex.com

Cancer & Reproductive Harm - www.detex.com/prop65

ACCESS CONTROL SYSTEM

DTX-4300 Series

Multi-Door Access System with Proximity Reader/Keypad and USB or Network

The DTX-4300 Series is a fully integrated PC managed multi-door access system with a proximity reader and keypad. The DTX-4300, when used on its own, provides standard access control functionality with the use of its two relays and two inputs for request to exit and door position, and enhanced system functionality when used with Hub Manager Professional software. The software allows the management of people and doors through easy to create reports and step by step wizard assisted expanded feature functionality. The software can communicate to the DTX-4300 either through a 485 connection, or on a LAN/WAN using the SEG-1 TCP/IP communication device. By utilizing the proximity reader and keypad together, a higher level of security is achieved by requiring both to grant access. The DTX-4300 can be directly mounted to a single gang electrical box or to most flat surfaces. The proximity reader is capable of being mounted up to a maximum of 10 feet away from the DTX-4300.



**Example shown:
DTX-4302xUSB**

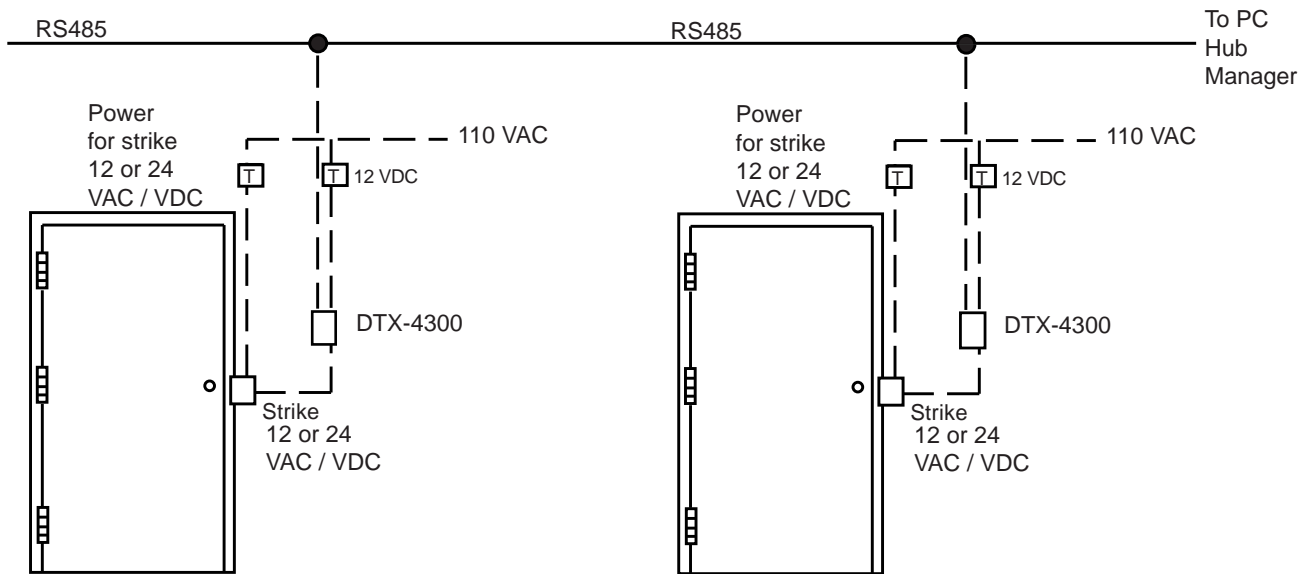
Features

- Integrated door control, proximity reader and keypad
- 2000 users
- 2000 event audit trail
- 32 doors per site (when managed with Hub Manager Professional)
- Bi-color LED to indicate operation
- Weather resistant design
- HID 26 - 40 bit format card compatibility
- Wiegand compatible
- HID Corporate 1000 compatible
- Fits over a single gang electrical box
- Communication via - SEG-1 (LAN/WAN) or USB to 485 converter
- Remote proximity reader mounting and glass mount option
- 3 year warranty
- UL 294 Listed

Technical Information

- Dimensions: 2.75" W x 5.25" H x 1.38" D
- Temperature tolerance: -31F to 150F
- Auxiliary Relay: Form C 1 amp SPDT
- Operating voltage: 12 VDC only
- Main relay: Form C 2 amp SPDT
- Request to Exit Input

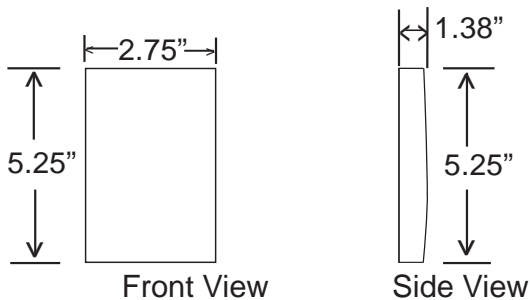
Riser Diagram



The Access Control System located at the door, acts as the reader and the controller.
The wire connections are made at each door.

Dimensions

DTX-4300 Series



Listings and Approvals



UL 294 Listed

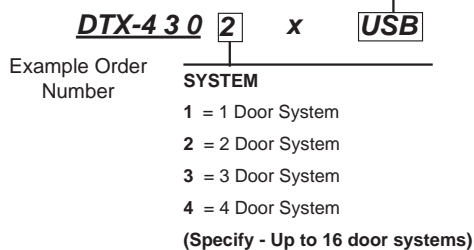
Detex Limited Warranty
3 Year Limited Manufacturer's
Warranty

How to Order

Interface Connection

N = Network

USB = USB Serial



Where Trust is Built™

DETEx®

Life Safety and Security Door Hardware

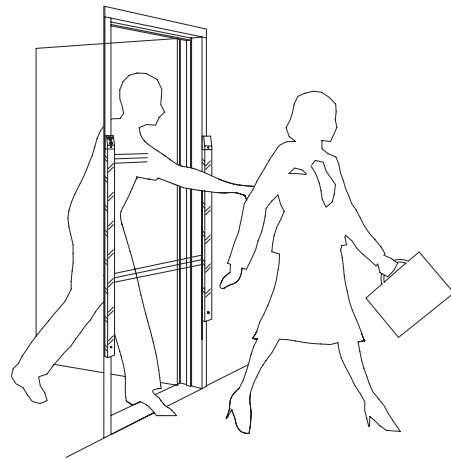
Detex Corporation
302 Detex Drive
New Braunfels, Texas 78130-3045 USA
PH. (830) 629-2900
(800) 729-3839
FAX (800) 653-3839
<http://www.detex.com>
USA Sales:
marketing@detex.com
International Sales:
export@detex.com

⚠ Cancer & Reproductive Harm - www.detex.com/prop65

Tailgate Detection System

AT-5200 Series

The Detex AT-5200 Series Tailgate Detection System assures that only one individual enters a secured doorway for each authorized card read; compatible with most card reader technologies the AT-5200 is easy to retrofit. This unique and cost effective optical security system, which uses unique algorithms and infrared sensor beams to detect tailgating, is perfectly suited for areas requiring tighter security. The potential applications for the AT-5200 are unlimited, however typical applications include employee entrances, computer rooms, bank vaults, dorm entrances, and areas with restricted access. Its subtle design does not distract from interior aesthetics and it mounts easily on standard door frames.



Benefits

- Adds additional security to a restricted area where unauthorized entry must be controlled
- Compatible with most access control systems and easily retrofits, providing enhanced security
- Encourages employees, students, visitors, etc. to maintain access control procedures
- Integrated door prop alarm for additional security
- High throughput easy entry or exit for authorized personnel
- ADA compliant
- Blends in with architectural styling

Features

- Local control/annunciator; unauthorized access/egress is annunciated locally and with the access control system
- Spacer mounting kit standard, can be used as a raceway for wiring
- Field configurable for card in/card out or card in/free exit operation
- Key switch for local alarm shunt/override
- Alarm can be reset by a remote contact
- Adjustable access period
- Alarm can be reset through an on-board timer
- Remote annunciator plates fit in a single gang box
- Alarm status relays for remote annunciation
- Mounts on standard width door frame or wall
- Status indicator lights (Wait or Proceed)
- Tamper Switch

Mechanical Options

- Spacer Mounting Kit (order separately)
- 1 gang Remote Annunciator Plate (included with AT-5200-R1)
- Mullion Mount Remote Annunciator plate (specify AT-5200-R2)

Electrical Options

- MS-1039 Magnetic Door Contacts (optional)
- 80-800 Power Supply (12VDC option)
- Digital voice annunciator (specify AT-5600)

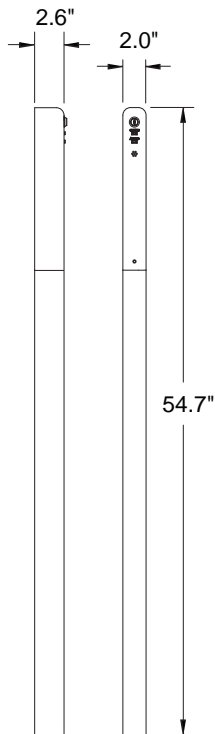
Technical Information

- 12 VDC @ 500mA
- Direct mounting to doorframe or wall by using optional spacer mounting kit
- Alarm Sound Level - 70dB @ 10 inches

Finishes

- Dark Bronze with IR Plexiglas cover

Dimensions



Listings and Approvals



Meets ADA Requirements

Detex Limited Warranty

3 Year Limited Manufacturers Warranty

Where Trust is Built™
DETEX®
Life Safety, Security and Security Assurance

Detex Corporation
302 Detex Drive
New Braunfels, Texas 78130-3045 USA
PH. (830) 629-2900
(800) 729-3839
FAX (800) 653-3839
<http://www.detex.com>
USA Sales:
marketing@detex.com
International Sales:
export@detex.com

 Cancer & Reproductive Harm - www.detex.com/prop65

Life Safety and Security Door Hardware



KEYSWITCHES

CS-400 Series

The CS-400 series Keyswitches are designed as control devices for use with Access Control Systems, Delayed Egress, Electric Dogging and Exit Alarms. Other products that require remote input may also use one of these switches. The 430 and 450 models use momentary switches; the 440 and 460 models use maintained switches.



CS-432, CS-442, CS-452
and CS-462
(2 LEDs - red and green)
Shown with Cylinder
(Cylinder sold separately)



CS-430, CS-440, CS-450
and CS-460
(No LED)
Shown with Cylinder
(Cylinder sold separately)

Benefits

- Available in eight different configurations to meet many different requirements
- Easily fits standard switch outlet box, 1 7/8" deep minimum

Features


- Accepts any standard 5, 6 or 7 pin mortise cylinder with Yale cam
- Heavy duty, extruded stainless steel faceplate
- LED's (green and red) allow 12 or 24 VDC input
- Maintained, momentary switches available
- 2-position switch bracket allows for clockwise and counter-clockwise rotation of cylinder

Technical Information

- Momentary Switch - Form C contacts, 5 amp rating (Switch activated when pushed, deactivated when released)
- Maintained Switch - Form C contacts, 5 amp rating (Switch activated when pushed, deactivated when pushed again)
- 2.75" wide x 4.5" high x 1.75" deep
- When used with a 7 pin cylinder, use collar, Detex p/n 103003



Detex Corporation
302 Detex Drive
New Braunfels, Texas 78130-3045 USA
PH. (830) 629-2900
(800) 729-3839
FAX (800) 653-3839
<http://www.detex.com>
USA Sales:
marketing@detex.com
International Sales:
export@detex.com

 Cancer & Reproductive Harm - www.detex.com/prop65

MULTI-ZONE ANNUNCIATORS

RP-600 SERIES

The RP-600 multi-zone annunciators are innovative door management products that provide an efficient means of displaying the condition of security devices throughout a monitored facility. An RP-600 multi-zone annunciator serves to provide visual and audible indication of alarms as they occur, giving security personnel the ability to monitor a large complex from a single location.



8 Zone Annunciator



12 Zone Annunciator

Benefits

- State-of-the-art monitoring in compact package
- Electronics organized into modules for wide range capabilities
- Provides visual and audible indications allowing monitoring of a large complex from a single location

Features

- Available 8-zone (RP-621) or 12-zone (RP-631)
- Zone shunt allows user to by-pass any selected zone
- Latch control assures point of alarm is reset
- Offers standard or optional controls
- Bi-colored LEDs easily identify status
- Utilizes standard 2 or 4 gang deep electrical mounting boxes - not provided
- Pushbutton reset
- 12VDC

Dimensions

- RP-621 - 8 Zone
4.6"W x 4.6"H x 2.5"D
- RP-631 - 12 Zone
6.4"W x 4.6"H x 2.5"D

Detex Limited Warranty

3 Year Limited Manufacturer's Warranty



Detex Corporation
302 Detex Drive
New Braunfels, Texas 78130-3045 USA
PH. (830) 629-2900
(800) 729-3839
FAX (800) 653-3839
<http://www.detex.com>
USA Sales:
marketing@detex.com
International Sales:
export@detex.com

 Cancer & Reproductive Harm - www.detex.com/prop65

MAGNETIC LOCKS

ML-1548

1500+ lb. Electromagnetic Lock

The Detex ML-1500 Series, Grade 1 Magnetic Lock meets or exceeds 1500 lbs. of holding force to the separation point. This is powerful enough to hold many doors against a force that will deform or destroy the door before the ML-1500 can be forced open. Positive, instantaneous failsafe operation is guaranteed, with no moving parts to bind or wear, the ML-1500 Series will release immediately when de-energized by Fire Life Safety System or remote controls.



628 Aluminum Finish

Benefits

- Easy mounting, time saving installation
- Physical installation of lock may be made before or after wiring is run
- Secure 1500+ lbs of holding force deters forced entry
- Maintenance free operation with no moving parts
- Matches any application or décor

Features

- Peel-n-stick paper template
- Interlocking slide mounting plate makes installation easy
- Plated and anodized surfaces
- Non-handed
- All steel magnetic core construction
- 12 / 24 VDC voltage sensing input
- Built-in spike protection
- Electronics module provides numbered terminal block connections, eliminating wire nuts

Mechanical Options

- ML-1548 - Aluminum 628 finish

Electrical Options

- RT - Relock Timer - 0-110 seconds

Accessories

- Brackets

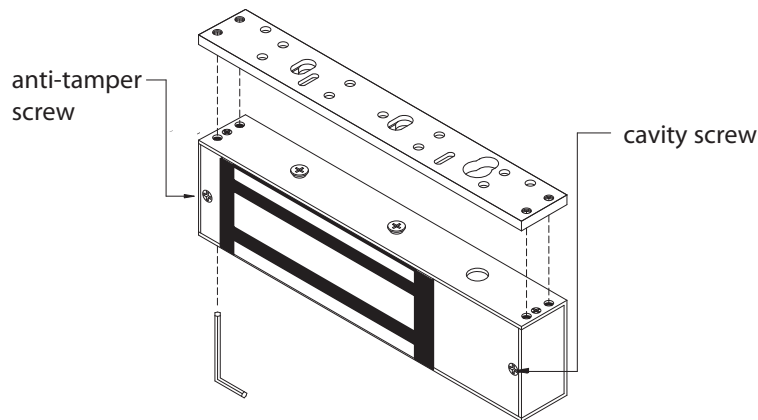
Technical Information

- All steel magnetic core construction
- Housing is heavy aluminum
- .280mA @ 24VDC, .280mA @ 12VDC

Finishes

- 628 - Aluminum

Mounting Diagram



Dimensions

- Magnetic Lock - 10.5" L x 2.875" H x 1.625" D
- Armature - 7.4375" L x 2.375" H x .625" D

Detex Limited Warranty
3 Year Limited Manufacturers
Warranty

Listings and Approvals



UL Listed

LISTED



Meets ADA requirements



UBC 97, Standard 7-2 and
UL10C for positive pressure



ANSI/BHMA certified
A156.23 - 1992



Meets NFPA 80 & 101
for Life Safety



California State Fire Marshall -
3774-0324:100

City of New York
MEA 61-95-E

Where Trust is Built™
DETEX®
Life Safety, Security and Security Assurance

Detex Corporation
302 Detex Drive
New Braunfels, Texas 78130-3045 USA
PH. (830) 629-2900
(800) 729-3839
FAX (800) 653-3839
<http://www.detex.com>
USA Sales:
marketing@detex.com
International Sales:
export@detex.com

Cancer & Reproductive Harm - www.detex.com/prop65

MAGNETIC LOCKS

ML-1549W

1200+ lb. Weatherized Electromagnetic Lock

The Detex ML-1549W Weatherized Series, Grade 1 Magnetic Locks provide approximately 1200 lbs. of holding force to the separation point. Positive, instantaneous failsafe operation is guaranteed, with no moving parts to bind or wear, the ML-1549W Series will release immediately when de-energized by Fire Life Safety System or remote controls.



Benefits

- Easy mounting, time saving installation
- Weatherized for use in the harshest conditions
- Wiring may be run before or after installation of lock
- 1200 lbs of holding force deters unauthorized entry
- Floating armature design compensates for gate/door misalignment with the electromagnet
- Maintenance free operation with no moving parts

Features

- Stainless Steel Case
- Epoxy filled for weather resistance
- Non-handed
- Failsafe operation unlocks in a power outage
- Threaded couduit fitting
- Built-in bond sensor

Electrical Options

- Dual 12/24 VDC field selectable voltage

Accessories

- Various brackets (call factory)

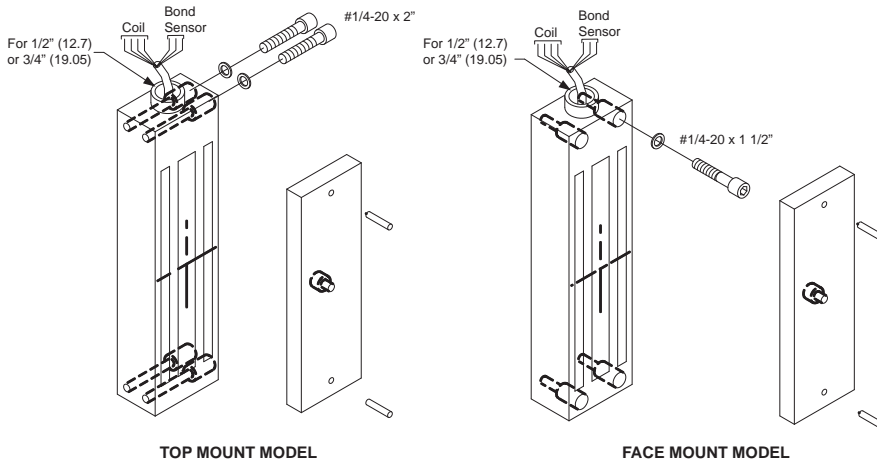
Technical Information

- All steel magnetic core construction
- .225mA @ 24VDC, .450mA @ 12VDC

Finishes (Advantex)

- 630 - Stainless Steel

Mounting Diagram



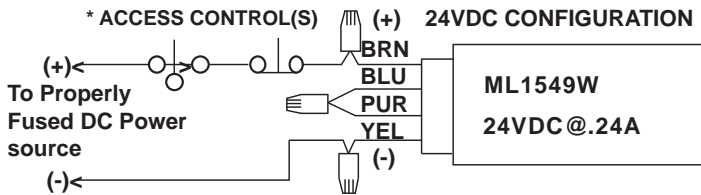
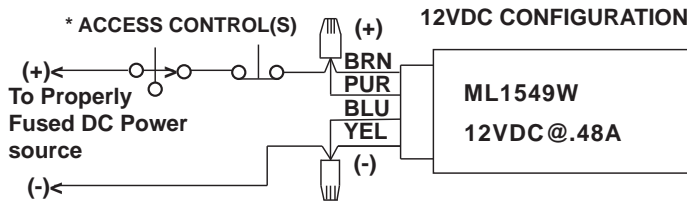
Dimensions

- Magnetic Lock - 1.61" D x 2.5" W x 8.66" L
- Armature - .63" D x 2.40" W x 7.283" L

Detex Limited Warranty

1 Year Limited Manufacturers Warranty

12VDC and 24VDC Configurations



Listings and Approvals



Detex Corporation
 302 Detex Drive
 New Braunfels, Texas 78130-3045 USA
 PH. (830) 629-2900
 (800) 729-3839
 FAX (800) 653-3839
<http://www.detex.com>
 USA Sales:
marketing@detex.com
 International Sales:
export@detex.com

Cancer & Reproductive Harm - www.detex.com/prop65

MOTION DETECTORS

MN01 & MN02

Passive Infrared Sensors

The MN01 & MN02 provide reliable motion detection for passive "Request-to-Exit" installation. Superior white-light and RFI immunity and SMD circuitry provide outstanding performance and sensitivity.



MN01



MN02

Benefits

- Hands-free activation
- Reliable detection
- Choice of fail safe/fail secure operation
- Easy to install
- Single or double door coverage

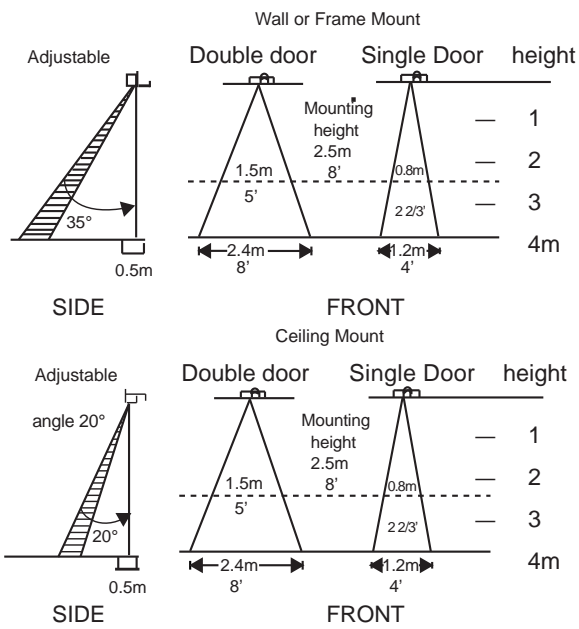
Features

- Both offer special circuitry for superior RFI immunity
- Dual-Pyroelectric detection elements
- MN01 allows fail safe/fail secure selection
- MN02 provides fail safe default
- Both offer single or double door coverage

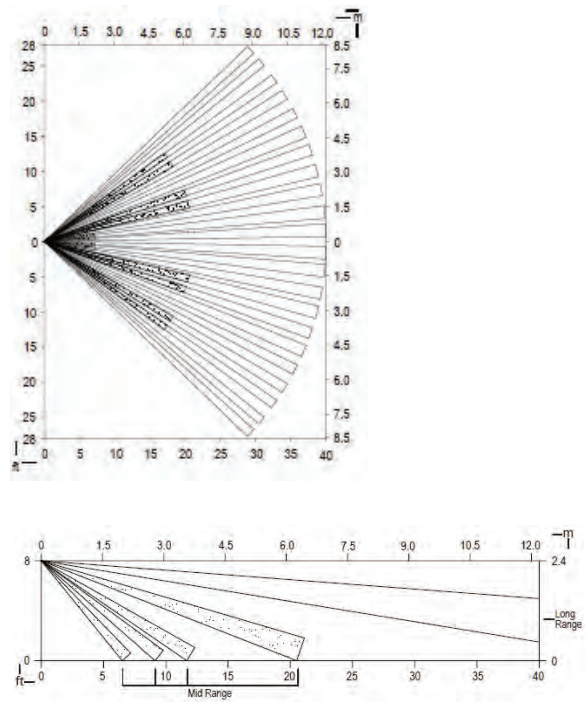
Electrical Options

- MN01 requires 12 to 24VDC or AC
- MN02 requires 10 to 16 VDC
- Form C Relay (Signal pole, double throw)
- Form A Relay (normally open)
- Alarm Output: Normally Closed Solid State, 19VDC @ 100mA max input, 13 ohms resistance type
- Tamper Output: Normally Closed Dry Contact, 30VDC @ 500mA max input (5 watt max)

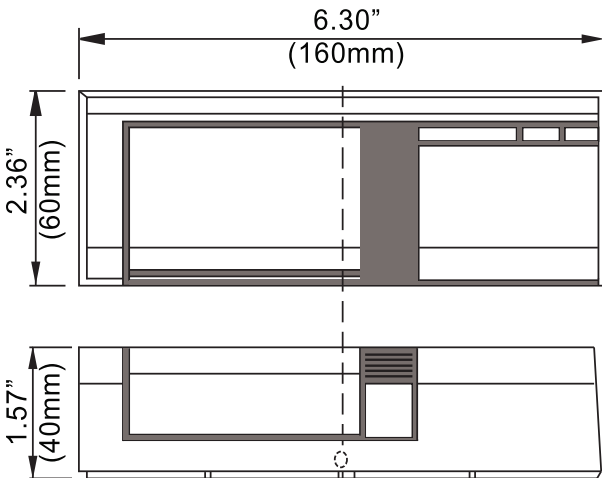
Detection Area - MN01



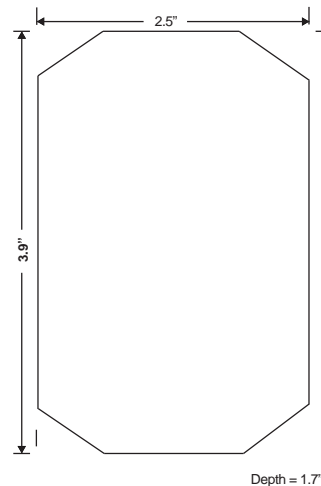
Detection Area - MN02



Dimensions - MN01



Dimensions - MN02



Listings and Approvals



Detex Limited Warranty
1 Year Limited Manufacturer's Warranty



Detex Corporation
302 Detex Drive
New Braunfels, Texas 78130-3045 USA
PH. (830) 629-2900
(800) 729-3839
FAX (800) 653-3839
<http://www.detex.com>
USA Sales:
marketing@detex.com
International Sales:
export@detex.com

Cancer & Reproductive Harm - www.detex.com/prop65

MAGNETIC SWITCH

MS-2049F, MS-2049S, MS-2049SC, MS-2049SI

These magnetic switches are designed primarily to serve as sensing devices to detect the opening of a door or window; to assure that a protected door is securely under surveillance; to serve as a trigger for a wall-mounted Detex Exit Alarm; to signal that a door has been inadvertently left open; and to be used as a direct switch to set off many kinds of audio and visual alarms.



**MS-2049F Flush
Magnetic Switch**



**MS-2049S Surface Mounted
Magnetic Switch**



**MS-2049SC Surface Mounted
Magnetic Switch
with conduit connector for use
with thin-wall conduit**



**MS-2049SI Surface Mounted
Magnetic Switch
for In-Swinging Doors**

Benefits

- Provides assurance that protected doors are under surveillance
- Serves as a trigger for alarms or remote monitors
- UL listed for use on fire rated doors and assemblies

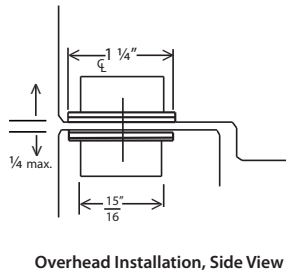
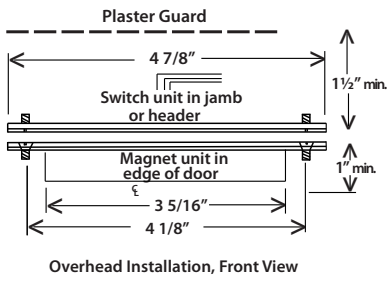
Features

- Tamper protection - mounting screws inaccessible when door closed
- Components potted to protect against shock and moisture
- Easy installation with concealed wiring and color coded leads
- Surface mounted units are housed in a durable high impact ABS thermoplastic, a UL listed material used in the manufacture of telephones, auto bodies, etc.
- Wide range of alarm and signal applications
- Minimizes false signals due to loosely closed doors
- Switch rated for over one million operations under load

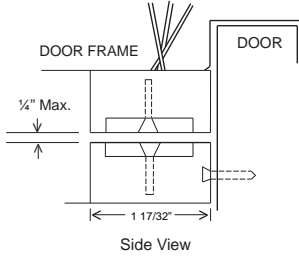
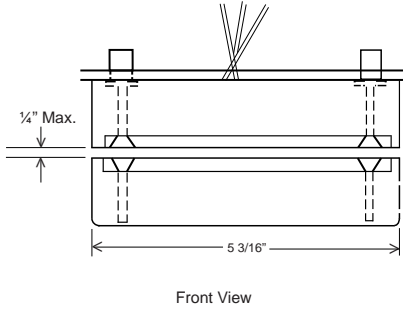
Technical Information

- Maximum contact ratings - 24VDC @ .5A
- For use on steel, aluminum or wood doors and frames
- May be mounted on stiles as narrow as 1-3/8"
- Overhead (preferred) or latch-stile mounting available for all models
- Switch - single pole, double throw (SPDT)
- The flush device (MS-2049F) should have the switch contact housed in the door frame and the magnet mortised in the edge of the door
- Wiring leads, 12" long, color coded, concealed

Dimensions (MS-2049F)

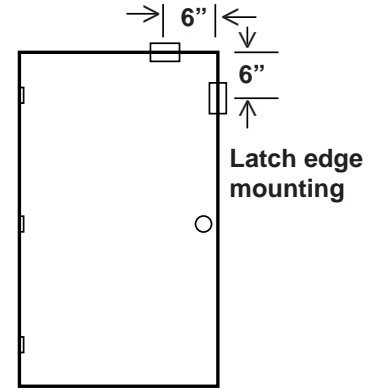


Dimensions (MS-2049S)



Riser Diagram

Overhead mounting (preferred)



Listings and Approvals



"UL Listed Miscellaneous Fire Door Accessories"
 "UL Listed Door Position Switch"

Detex Limited Warranty
 3 Year Limited Manufacturers Warranty

Cancer & Reproductive Harm - www.detex.com/prop65

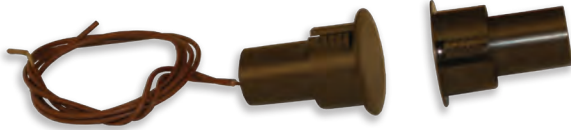


Detex Corporation
 302 Detex Drive
 New Braunfels, Texas 78130-3045 USA
 PH. (830) 629-2900
 (800) 729-3839
 FAX (800) 653-3839
<http://www.detex.com>
 USA Sales:
marketing@detex.com
 International Sales:
export@detex.com

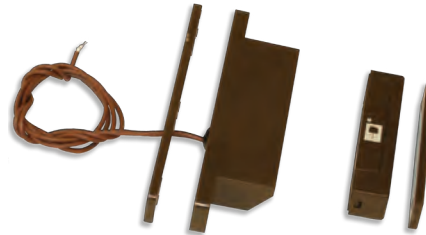
MAGNETIC SWITCH

MS-1039F, MS-1039S, MS-1059F, MS-1059S

These magnetic switches are designed primarily to serve as sensing devices to detect the opening of a door or window; to assure that a protected door is securely under surveillance; to serve as a trigger for a wall-mounted Detex Exit Alarm; to signal that a door has been inadvertently left open; and to be used as a direct switch to set off many kinds of audio and visual alarms.



MS-1039F (White) / MS-1059F (Brown)
Flush Magnetic Switch
(MS-1059F Shown)



MS-1039S (White) / MS-1059S (Brown)
Surface Mounted
Magnetic Switch
(MS-1059S Shown)

Benefits

- Anti-Tamper Design
- Provides assurance that protected doors are under surveillance
- BMS - Balanced Magnetic Switch provides improved security
- Serves as a trigger for alarms or remote monitors
- Simple Installation

Features

- Polarity selection is non-critical
- Flush switches are self-locking
- Color selection white/brown
- Flush switches are solid, one-piece design with no need for extra donut adapters
- Durable Magnet
- Wide range of alarm and signal applications

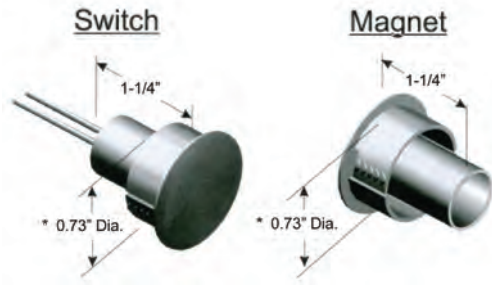
Technical Information

- Surface switches have Max. Contact rating 30VDC @ 250mA
- Overhead (preferred) or latch-stile mounting available for all models
- The MS-1039F (Flush mount) should have the switch contact housed in the door frame and the magnet mortised in the edge of the door
- Flush switches have Max. Contact rating 28VDC, 0.5A, 10W
- Switch - single pole, single throw (SPST)
- Normally closed contact
- For use on steel, aluminum or wood doors and frames

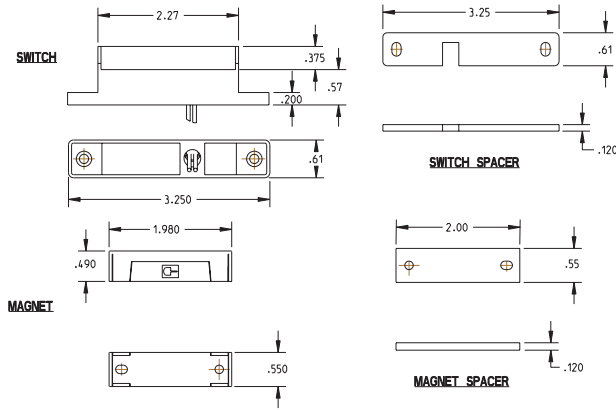
Finishes

- MS-1039F/S - White
- MS-1059F/S - Brown

Dimensions (MS-1039F/MS-1059F)

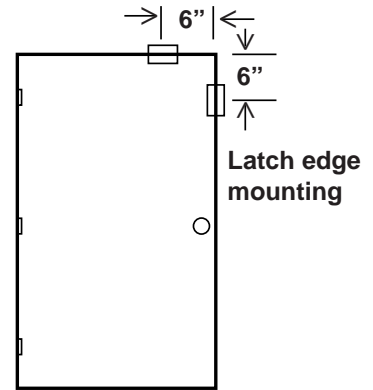


Dimensions (MS-1039S/MS1059S)



Riser Diagram

Overhead mounting (preferred)



Detex Limited Warranty
3 Years Limited Manufacturers
Warranty



Detex Corporation
302 Detex Drive
New Braunfels, Texas 78130-3045 USA
PH. (830) 629-2900
(800) 729-3839
FAX (800) 653-3839
<http://www.detex.com>
USA Sales:
marketing@detex.com
International Sales:
export@detex.com

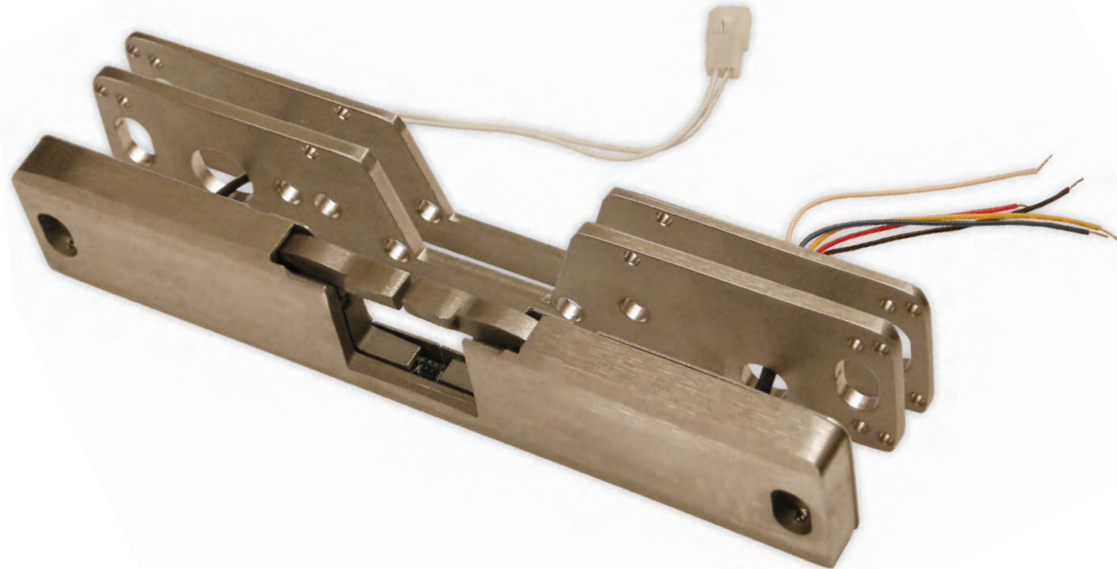
Cancer & Reproductive Harm - www.detex.com/prop65

ELECTRIC STRIKES

DS-24

Electric Strike

The DS-24 is a heavy duty electric strike for use with Advantex and Value Series rim exit devices.



Benefits

- Accommodates a variety of frame types and cut outs, but easily mounts to the surface of most frames
- Latch bolt sensor provides extra level of security
- Plug-in modular wiring allows for faster installation
- Built-in electronics automatically allow between 11 and 28V DC input with surge and kickback protection saves time and money
- Kit includes 1/4" spacer and 1/8" spacer for perfect alignment with Advantex and Value Series rim latch bolt. Use both for perfect alignment when using Detex devices. For use with other exit devices, see competitor template.

Features

- Fail secure / Fail safe field reversible
- Increase life and decrease maintenance due to electronic vs. mechanical operation
- Non-Mechanical operation
- 6-pin anchoring system for strength and stability
- Handed - field reversible
- Ignores ambient light, detecting radiant Infrared reflections off the pullman latch
- One piece locking mechanism with one Solenoid
- Tested to hold over 1500 pounds
- Sensor is concealed within the unit
- Sensor does not require any adjustment

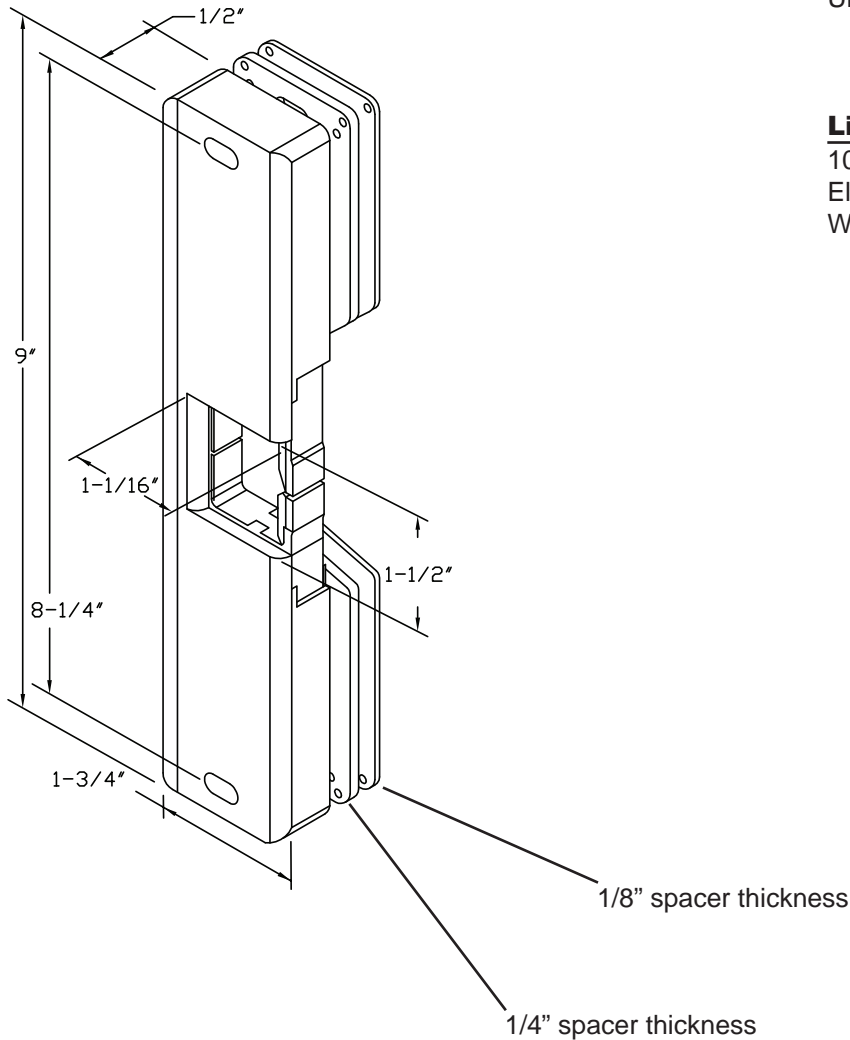
Technical Information

- Sharp® Infrared optical sensor with Normally Open and Normally Closed contact terminals, rated for 1 Amp at 24V AC or DC
- Sensor Power - 12 through 30V DC
- Strike - 11-28V DC
- Max Current Draw (strike):
12V DC = .5A
24V DC = .255A

Finishes

- 630/US32D Brushed Stainless Steel on strike
- Spacers are steel

Dimensions



Listings

UL10C Fire Rated

Limited Warranty

10 Year Mechanical / 2 Year
Electrical Manufacturer's Limited
Warranty

Where Trust is Built™

DETEx®

Life Safety, Security and Security Assurance

Detex Corporation
302 Detex Drive
New Braunfels, Texas 78130-3045 USA
PH. (830) 629-2900
(800) 729-3839
FAX (800) 653-3839
<http://www.detex.com>
USA Sales:
marketing@detex.com
International Sales:
export@detex.com

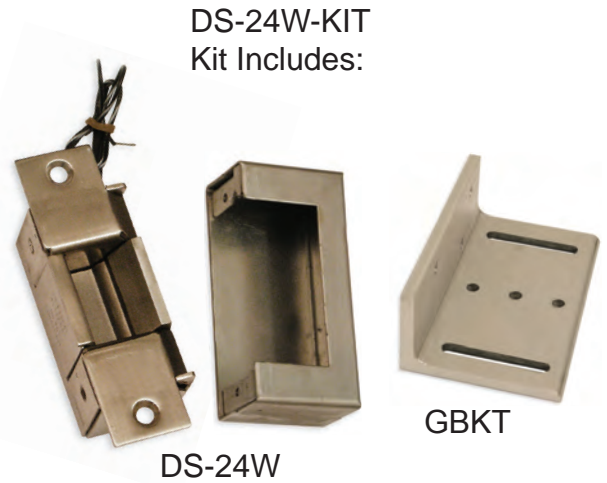
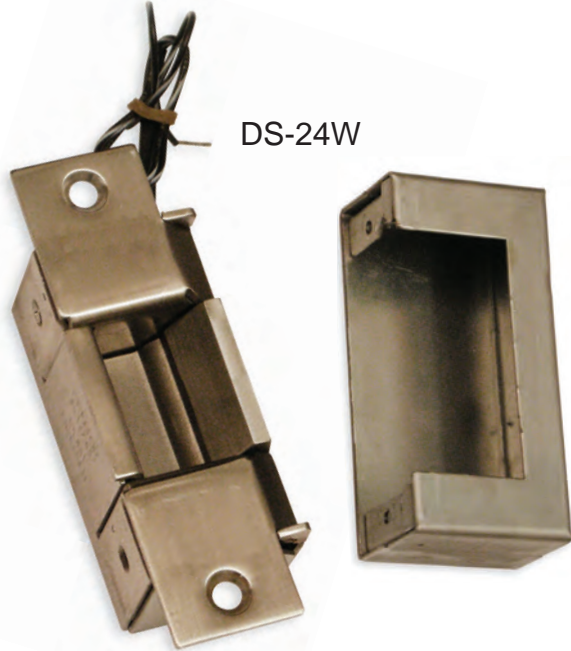
 Cancer & Reproductive Harm - www.detex.com/prop65

ELECTRIC STRIKES

DS-24W

Weatherized Electric Strike

The DS-24W is a weatherized electric strike for use on gates and doors that are exposed to the elements.



Benefits

- Perfect for exterior doors and gates providing access control outdoors
- Factory set at 24VDC and for rim panic device for easy installation
- Kit includes electric strike, gate box and angle bracket for a variety of mounting options

Features

- Handed - field reversible
- Tested to hold over 2000 pounds
- Standard 24VDC. Easy to convert to 12VDC
- Fail secure / Fail safe / field reversible
- Tested to over 1,000,000 life cycles

Accessories

- DS-24W-KIT - Includes electric strike, gate box and bracket (GBKT) for mounting on gates

Technical Information

- Max Current Draw:
12VDC = .28A
24VDC = .15A
- Standard 24VDC can be field converted to 12VDC

Finishes

• 630/US32D Brushed Stainless Steel on Strike

• Gate Box is steel for field welding or painting

• GBKT bracket is aluminum

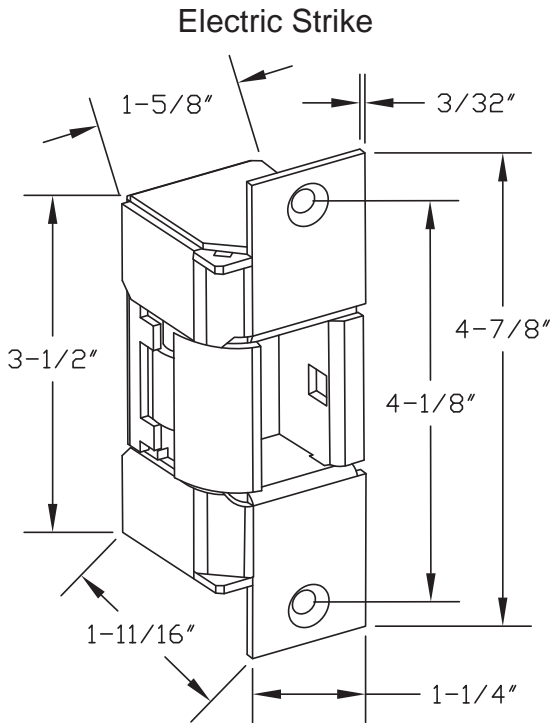
Dimensions

Listings

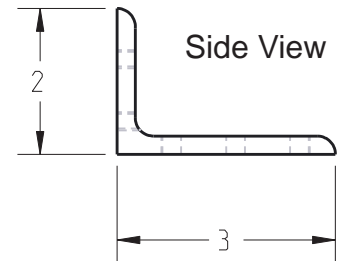
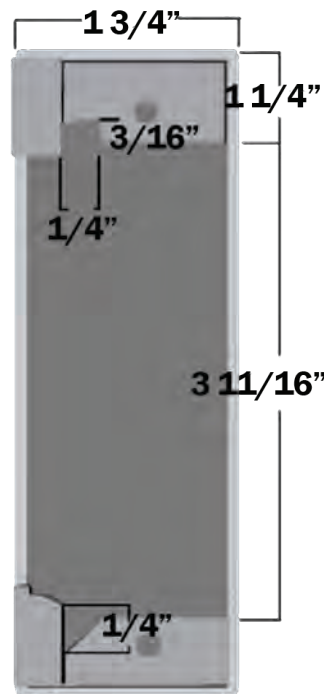
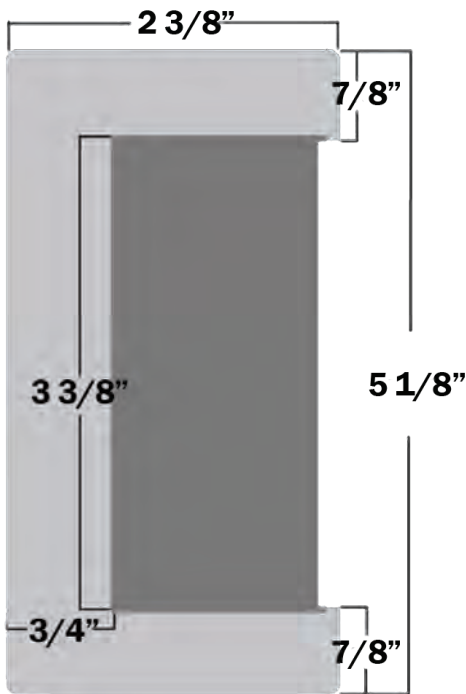
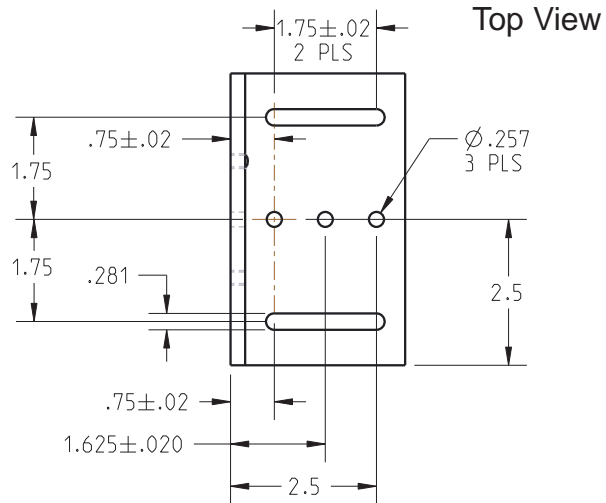
UL1034 Indoor/Outdoor Burglary Resistant

Limited Warranty

10 Year Mechanical / 2 Year Electrical Manufacturer's Limited Warranty



GBKT Bracket



Detex Corporation
302 Detex Drive
New Braunfels, Texas 78130-3045 USA

PH. (830) 629-2900

(800) 729-3839

FAX (800) 653-3839

http://www.detex.com

USA Sales:

marketing@detex.com

International Sales:

expotr@detex.com

⚠ Cancer & Reproductive Harm - www.detex.com/prop65

PUSHBUTTON CONTROLS

PB-2000 / 2100 Series

Simple to install and easy to use, the PB-2000 series of push button controls allow for lock or magnetic lock release in access control and request to exit applications.



PB-2048



PB-2158



PB-2138

Benefits

- Fast and easy installation
- Aesthetically pleasing design fits any décor

Features

- Fits single switch box - flush or surface - approximately 2"

Mechanical Options

- Mushroom button (Std.)
- Fits standard 2" switch box (Std.)
- Narrow/Mullion Plate
- Shrouded button
- Key switch cover

Electrical Options

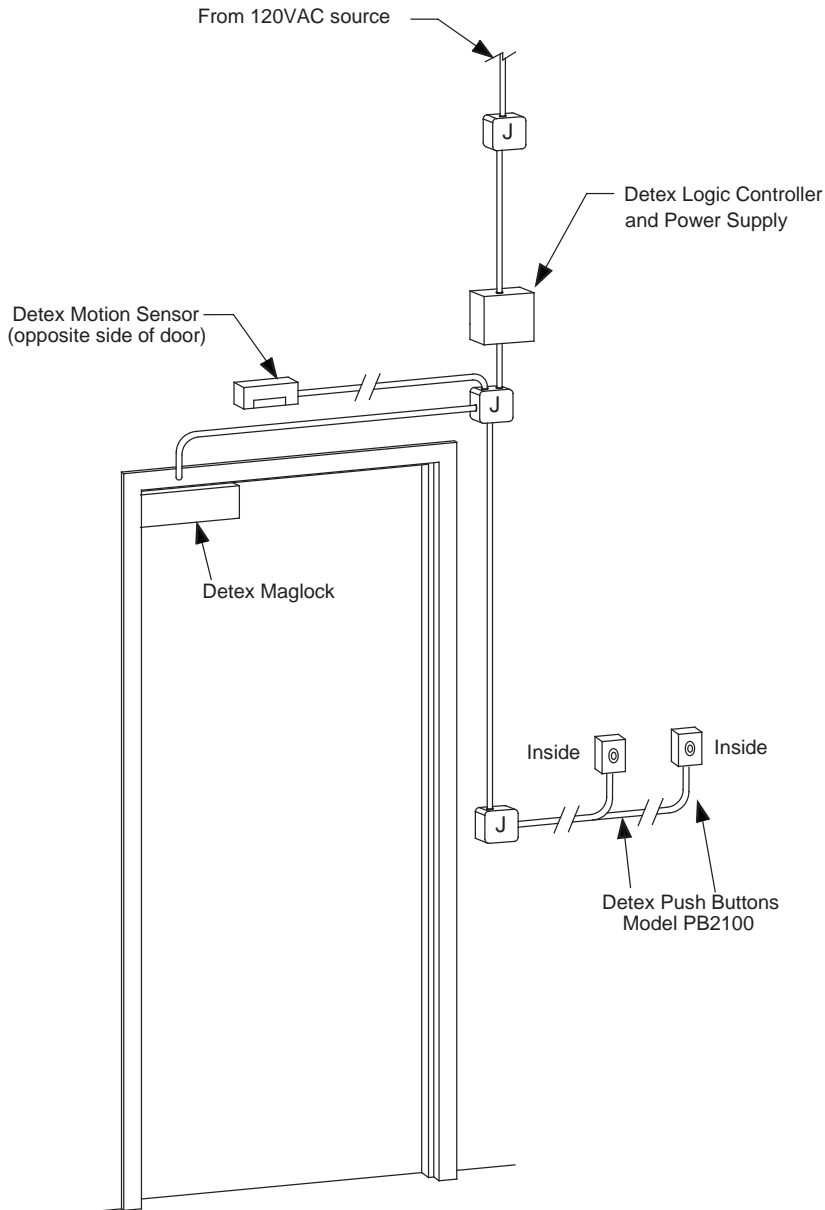
- Available in Normally Open, Normally Closed or Form C
- Available in Momentary or Maintained configurations

Technical Information


- 12-24 VAC @ 100 mA
- Switch - UL File #E66677
- Switch - CSA Certified

Finishes

- Painted Aluminum
- Stainless Steel



Detex Corporation
302 Detex Drive
New Braunfels, Texas 78130-3045 USA
PH. (830) 629-2900
(800) 729-3839
FAX (800) 653-3839
<http://www.detex.com>
USA Sales:
marketing@detex.com
International Sales:
export@detex.com

 Cancer & Reproductive Harm - www.detex.com/prop65

MISCELLANEOUS

Power Transfers

Exposed or concealed, power transfers are used to protect wires that electrify door hardware. Either transmitting power to a low voltage electric latch retraction exit device or signaling a remote camera, wire transfers are essential to electrified door hardware.

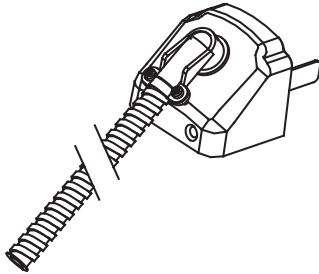
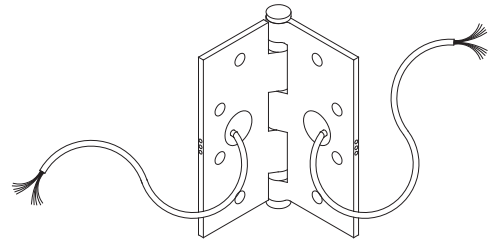


PT-5 - Power Transfer loops provide a means of running wires from the frame to doors equipped with electric locks and exit devices. The PT-5 is a heavy-duty power transfer device, concealed mortise mount, UL listed miscellaneous fire door accessory. It is UL 10C positive pressure compliant and UBC 7-2 Fire Test for Door Assemblies compliant.

Dimensions: 10-1/4" L x 1" W x 3/4" D

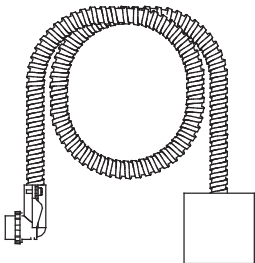
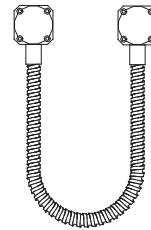
EWH8-626 - This five-knuckle energy transfer hinge is ideal for door that require concealed low voltage transfer of power from the hinge jamb to the door. With a total of eight (8) wires, there are two (2) 20AWG for power, two (2) 22AWG for by-pass inputs and four (4) 28AWG for signaling, the center hole wire access location makes for easy installation

Hinge Size: 4.5" x 4.5"



FCA - Flex conduit and End Cap gives you 3 feet of flexible conduit, 10 wires with couplers with pin receptacle connectors and the Advantex standard end-cap with fittings.

AL18 - Surface Mount Armor Loops - 18 inch long flexible conduit with two (2) stainless steel ends with two (2) couplers.




JB1 - Junction Box - Flex Conduit Kit. Contains 9-1/2 feet of flex conduit, wire connectors and clamps required for installation.

Box Dimensions:
4 5/8" W x 4 5/8" L x 2" D

Where Trust is Built™
DETEx®
Life Safety, Security and Security Assurance

Detex Corporation
302 Detex Drive
New Braunfels, Texas 78130-3045 USA
PH. (830) 629-2900
(800) 729-3839
FAX (800) 653-3839
<http://www.detex.com>
USA Sales:
marketing@detex.com
International Sales:
export@detex.com

 Cancer & Reproductive Harm - www.detex.com/prop65

AUXILIARY PRODUCTS

S2B & HS2B Strobe and Horn/Strobe

For added security in your facility, Detex offers a line of additional strobes and horn/strobe combinations. When the environment is noisy, these will draw your attention to possible breaches in your security.



S2B
Strobe Only



HS2B
Horn / Strobe

Benefits

- Plug-in design speeds installation
- Ample room in backbox prevents nicked/crushed wires
- Mounting plate shorting spring tests wiring before installation

Features

- Knock-outs eliminate need for drilling

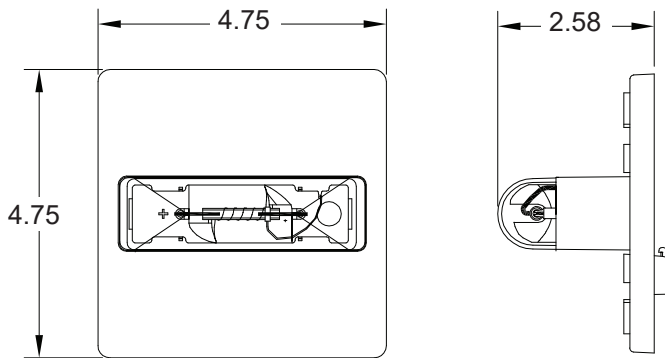
Electrical Options

- S2B - Strobe only, 2 wire, 12/24VDC
- HS2B - Horn/Strobe, 2 wire, 12/24VDC

Technical Information

- Standard operating temperature - 32 to 120F (0 to 49C)
- Flush Mounting - Std single gang backbox
- Input terminal wire gauge - 12 to 18 AWG
- Horn - Volume High 91dB at 24V and Volume Low 83dB at 24V
- Flush or surface - 4" x 1-1/2" deep backbox
- Strobe flash rate - 1 per second
- Voltage range - 16 to 33VDC
- 250mA max current draw

Dimensions

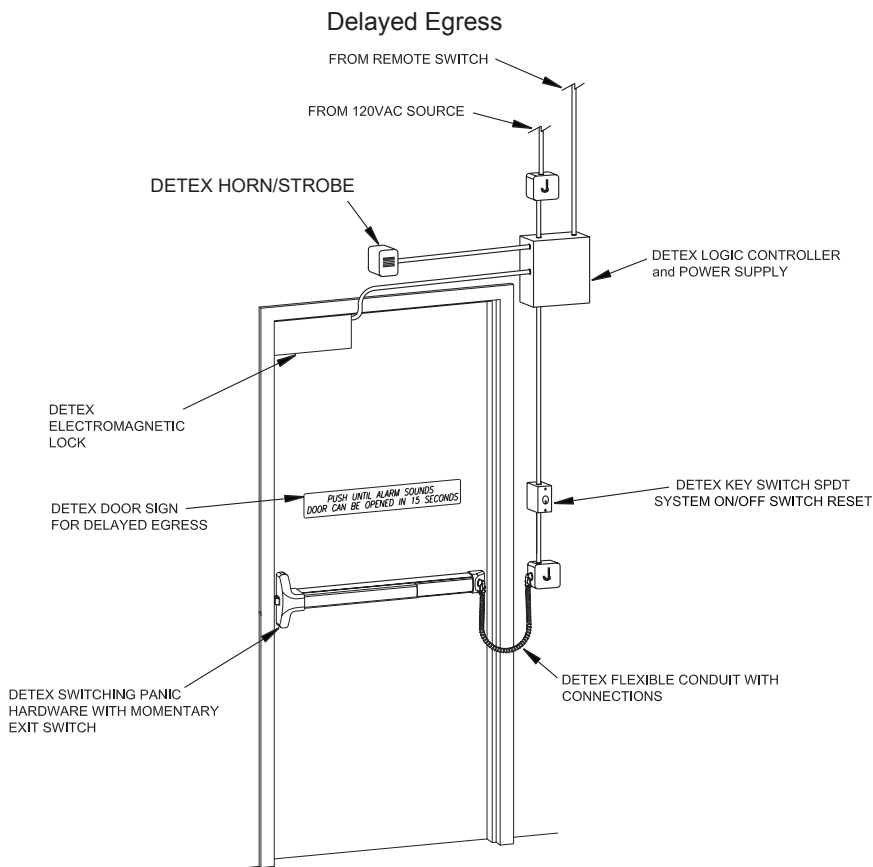


Listings and Approvals



UL 1971
 UL 464
 UL 1638
 ULC-S526-02

Riser Diagram



Where Trust is Built™
DETEX®
Life Safety, Security and Security Assurance

Detex Corporation
 302 Detex Drive
 New Braunfels, Texas 78130-3045 USA
 PH. (830) 629-2900
 (800) 729-3839
 FAX (800) 653-3839
 http://www.detex.com
 USA Sales:
 marketing@detex.com
 International Sales:
 export@detex.com

Cancer & Reproductive Harm - www.detex.com/prop65

SRN5W

Remote Horn (For use indoors and outdoors)

For added security in your facility, Detex offers a remote horn that can easily be mounted on any surface. When the environment is noisy or an exterior sounder is needed, the SRN5W Remote Horn can draw attention to possible breaches in your security. The SRN5W can be used indoors as well as exterior environments.



Can be used with other Detex products to extend attention area

Benefits

- Weatherized for indoor and outdoor installations
- Easy 4-wire hookups speed installation (2 power wires/2 relay wires)
- General Signaling certification allows use in typical door hardware applications (not fire alarm)
- Drain holes on face plate to allow water/moisture to escape
- 4"x4" enclosure allows ample room for wires and connections to be done quickly and easily
- Conduit fittings included

Features

- 4"x4" enclosure - surface mount
- Die cast construction and design provides protection
- Weatherized electronics for use indoors and outdoors
- Gasketing on face
- Relay with wires activates when siren is sounding
- LED indicates relay output is activated and horn is sounding
- One page easy to follow instructions
- Side conduit input

Mechanical Options

- Gray finish

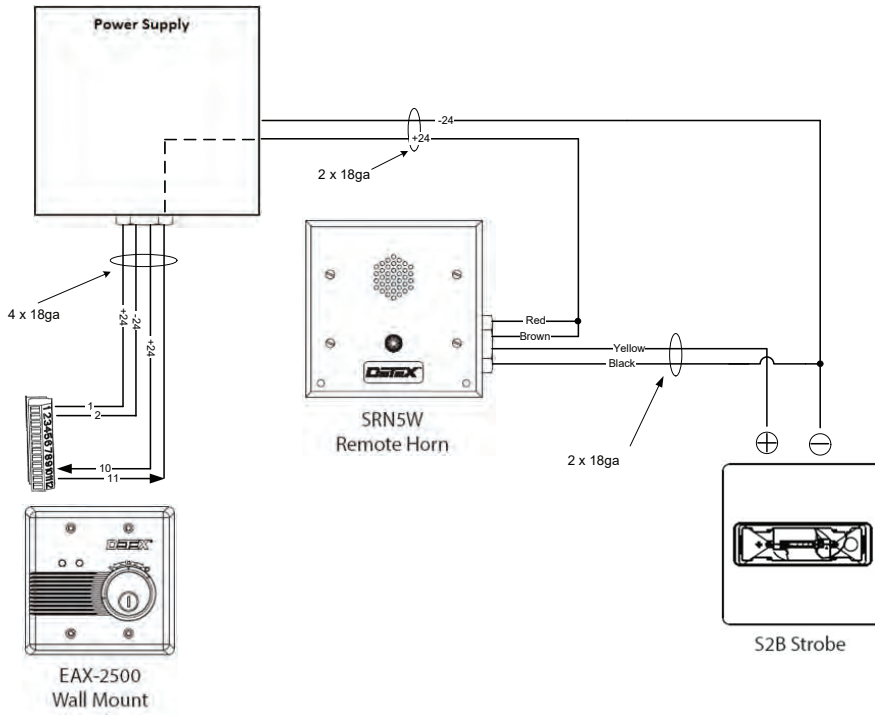
Electrical Options

- 12VDC or 24VDC - auto sensing

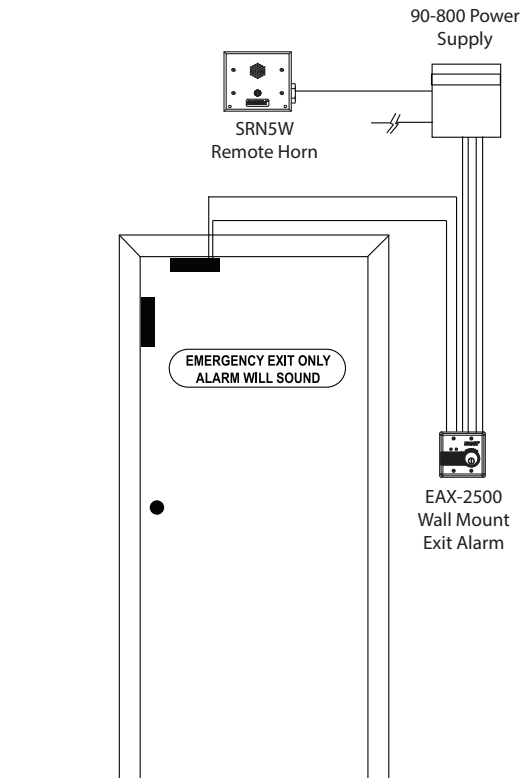
Technical Information

- 12VDC @ 70mA
24VDC @ 70mA
- 100dB siren
- Three threaded plugs and one conduit fitting included
- 2 wires for dry contact remote output activation
Gray - Normally Closed
Yellow - Normally Open
Brown - Common
- 2 wires for 12/24VDC input power
Black - Ground
Red - 12VDC or 24VDC

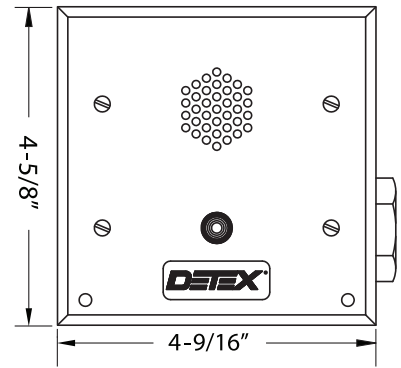
Wiring Diagram



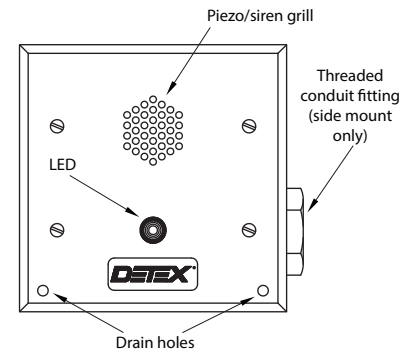
Riser Diagram



Dimensions



Labels



Listings and Approvals



ANSI/UL 464A
Audible Signal Appliances
for General Signaling Use

Detex Limited Warranty
3 Years Limited Manufacturers
Warranty

Where Trust is Built™
DETEx®
Life Safety, Security and Security Assurance

Detex Corporation
302 Detex Drive
New Braunfels, Texas 78130-3045 USA
PH. (830) 629-2900
(800) 729-3839
FAX (800) 653-3839
<http://www.detex.com>
USA Sales:
marketing@detex.com
International Sales:
export@detex.com

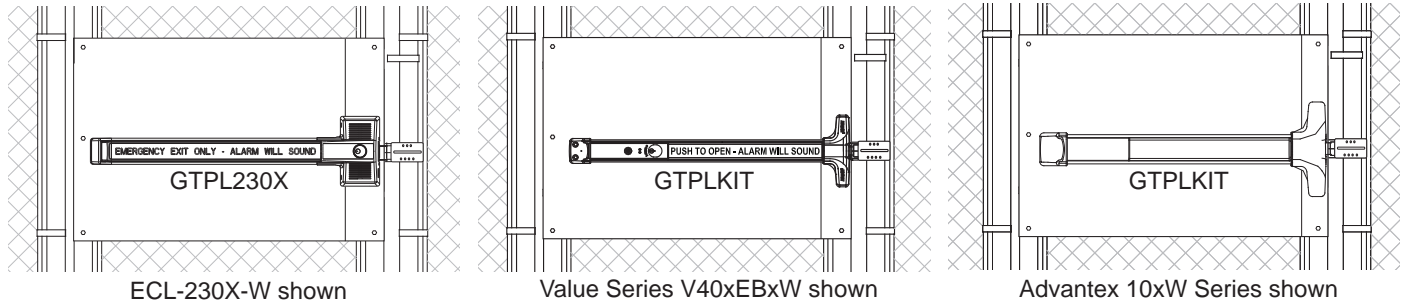
⚠ Cancer & Reproductive Harm - www.detex.com/prop65

Weatherized Accessories

Gate Plate & Accessories

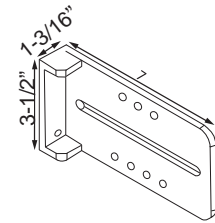
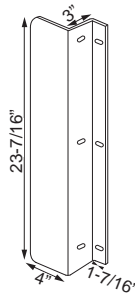
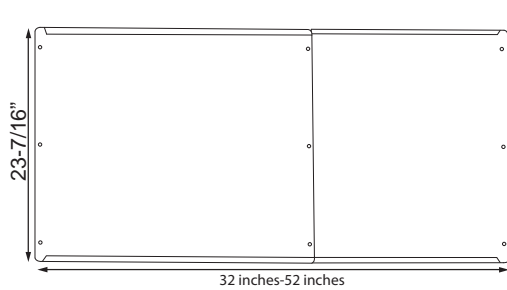
The mounting plate adjusts to fit different gate sizes. The adjustable receiving latch makes installation easy. The lockbox makes it possible to gain access from outside the gate by using a key. All accessories are available in silver or black finish.

Push Side



GTPLKIT

The kit includes:



GTPL / GTPL230X Adjustable Gate Plate

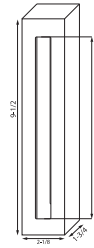
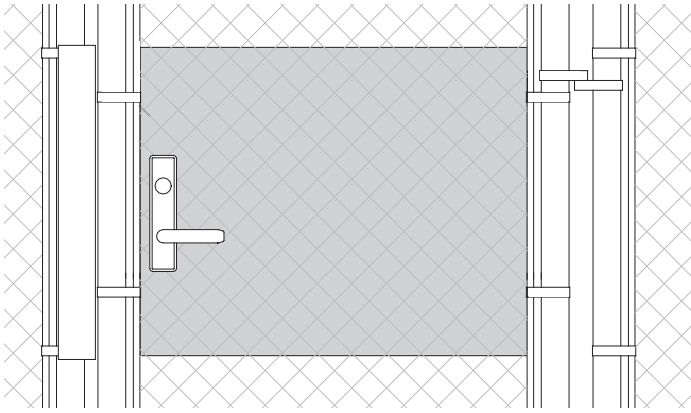
- Specify GTPL230X for ECL-230X application
- Specify GTPL for Advantex or Value Series application
- Fits Single Gates 32" - 52" wide
- Adjustable to fit wide variety of single gates
- Sleeved together
- Fits square or round gate frames
- GTPL does not come with exit device mounting holes
- GTPL230X does not come with mounting or lockbox holes

GTPLGRD Gate Latch Protector

- Provides added security
- For use on existing gate plate application where gap is larger than 1"

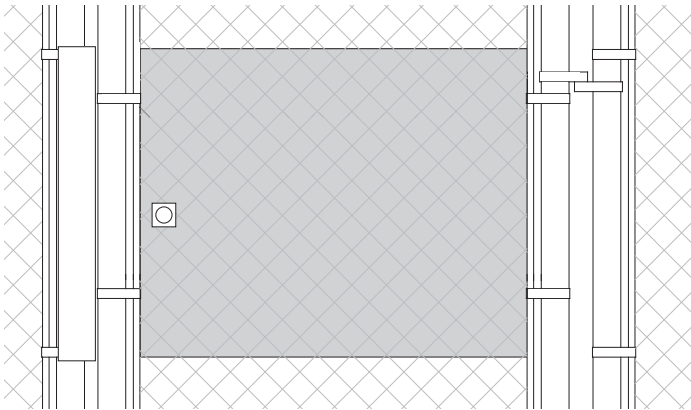
GTSTKBKT Strike Latch Receiver Bracket

- Includes stainless steel U-bolt, nuts, tek-screws
- 1/4" steel with powder-coat finish
- Doubles as gate stop
- Accommodates 99 strike for Advantex 10/40 Series and V40 Series
- Contact Detex for strike bracket for use with ECL-230X-W



Spacer for Narrow Lever Trim

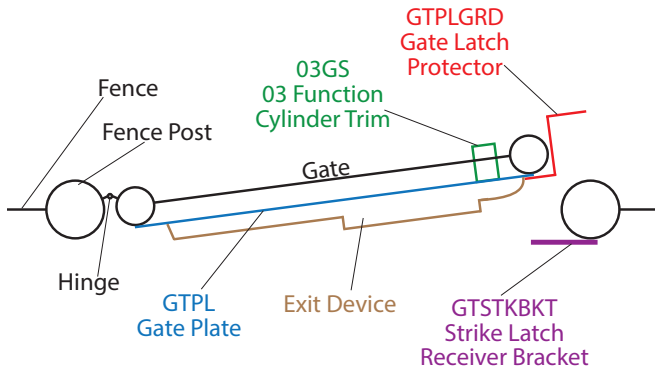
- For use with 02/08/09/14DN trims
- Narrow lever trim sold separately (specify handing)
- Extends for use with Detex spring-loaded tailpiece
- For use with Advantex and Value Series devices



03 Function Cylinder Trim

- Optional accessory
- For use with rim cylinder on gates
- Rim cylinder required (sold separately)
- For use with Advantex, Value Series and ECL devices

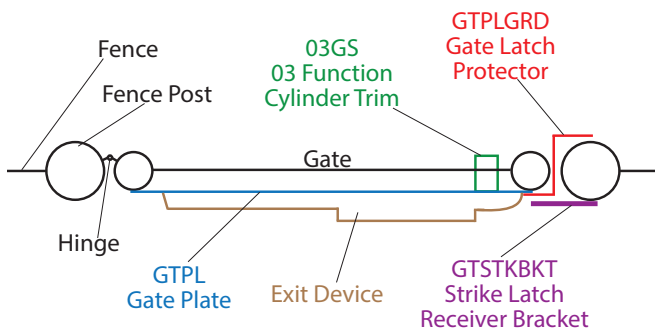
Overhead View - Gate Open




Finishes

- Silver (Std.)
- Black (Specify -BLK)

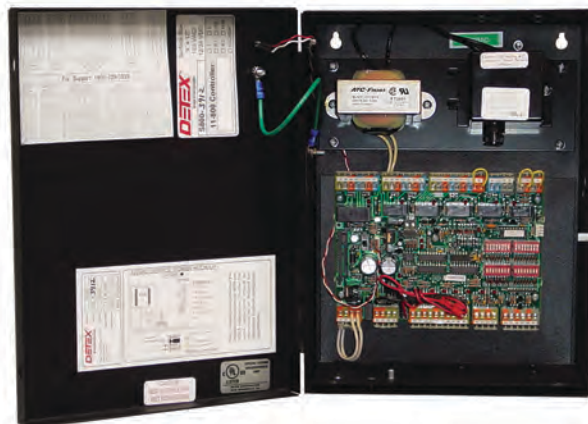
Overhead View - Gate Closed



Detex Corporation
 302 Detex Drive
 New Braunfels, Texas 78130-3045 USA
 PH. (830) 629-2900
 (800) 729-3839
 FAX (800) 653-3839
<http://www.detex.com>
 USA Sales:
marketing@detex.com
 International Sales:
export@detex.com

 Cancer & Reproductive Harm - www.detex.com/prop65

Life Safety and Security Door Hardware



Series 800

Series 800 84-800 / 85-800 How To Order

SERIES

84 = 1.0A continuous (powers and controls 1 EExER device with signal output for 1 operator)

85 = 2.0A continuous (powers and controls EExER device for 1 pair of doors with signal output for 1 operator)

DELAYED EGRESS**

0 = 15 second delayed egress*
3 = 30 second delayed egress

ARMING OPTIONS

For standard 3 Chirps Arming, leave blank
SA = Silent Arming

REMOTE INDICATING UNIT COLOR

For standard Gray, leave blank
BLK = Black

CYLINDER

If cylinder not required or provided by others, leave blank (Dummy Plug Included)

MC65 = Mortise cylinder installed

IC7 = Interchangeable core housing installed

ALT BUILD

For standard build (powers 2 EExER devices), leave blank

ER = Powers (1) EExER and (1) ER exit device

EE = Powers (1) EExER and (1) EE exit device

REARM/RESET OPTIONS

For standard rearm/reset (using key or access control), leave blank

RKO = Rearm using key only

ARMING OPTIONS

0 = 15 second Arming*
1 = 1 second Arming
2 = xx second Arming

OUTPUT OPTIONS

For standard Door Signal Module (85-800), leave blank
M12 = 12VDC Module

SIGNAGE LANGUAGE

For standard English sign, leave blank

RFC = French/Canadian

RWS = Spanish

RWC = Chinese

MISCELLANEOUS

If not required, leave blank

KS = Key stop

SSK = Security screws for RIU

KSxSSK = Key stop and Security screws for RIU

RIU MOUNTING

For standard Surface Mounting, leave blank

F = Flush Mounting

NUISANCE

LN = Less Nuisance

*Indicates default

** Signage for delayed egress:

0 = ECL-395 included with rim

3 = ECL-395-1 included in p/s



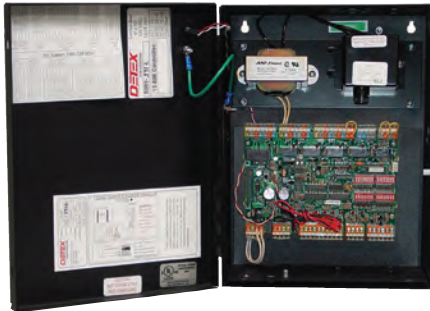
Detex products can expose you to chemicals including Chromium (hexavalent compounds) and Lead, which are known to the State of California to cause cancer and birth defects or other reproductive harm. For more information go to www.detex.com/prop65

Series 800

10-800 / 11-800

Controller

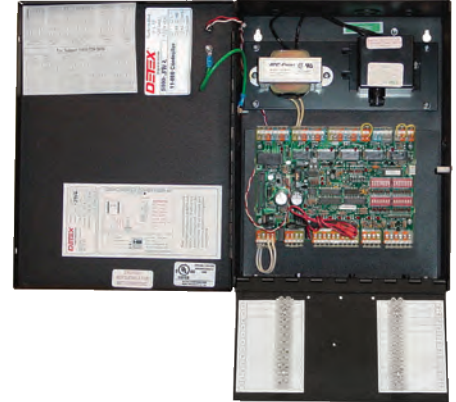
The Detex 10-800 and 11-800 are universal logic and power supply controllers that allow for total control over all electrified hardware. The controller receives input from a switch, access control or any dry contact device and processes it into the desired output. One controller can manage applications for up to two doors, such as standard egress, delayed egress and interlocks. All connections for local or remote signaling are contained in one box. The 10-800 and 11-800 logic controllers provide at least 2A of DC power at the door. A battery backup/charging circuit is standard with each controller to deliver an uninterrupted source of power for up to 4 hours (battery sold separately).



10-800
Shown open



10-800
or
11-800
Shown closed



11-800
Shown open

NOTE: 10-800 and 11-800 available in Black
11-800 same as 10-800 but with added 24 point terminal strip and flip-down tray

Benefits

- Central terminal connections provide easy wiring
- In-line fuse protects against power surges
- Designed specifically to support electric locks, access control systems and delayed egress systems
- Multiple fire alarm relay input options assure compliance to various life safety codes
- On/Off switch allows for easy service and inspection

Features

- Power supply and controller all in one box
- Controls up to 2 separate doors for standard egress or 2-door interlock applications
- 1 controller required for each independent delayed egress application
- Output relays for locks, local alarm and remote alarms
- Relays may be configured to wet or dry connections
- Status LED's toggle on or off for easy troubleshooting
- Connections are labeled with either numbering scheme or label with text to identify circuits
- Single AC line voltage required to activate
- Dual voltage selection (12/24VDC)
- 9VDC, 100mA output terminal tap
- Fuse protection
- Battery backup circuit - standard
- Other Models include:
 - 30-800* - Surface box - Zinc plated, lid and Series 800 controller
 - 31-800* - Flat mount plate and Series 800 controller
 - 40-800* - Same as 11-800 without transformer
 - 41-800* - Same as 10-800 without transformer
 - 50-800* - Series 800 controller only, no box

* Requires low voltage source

Mechanical Options

- Cover lock key
- Battery box extension
- 24 point terminal strip and flip down tray included with the 11-800

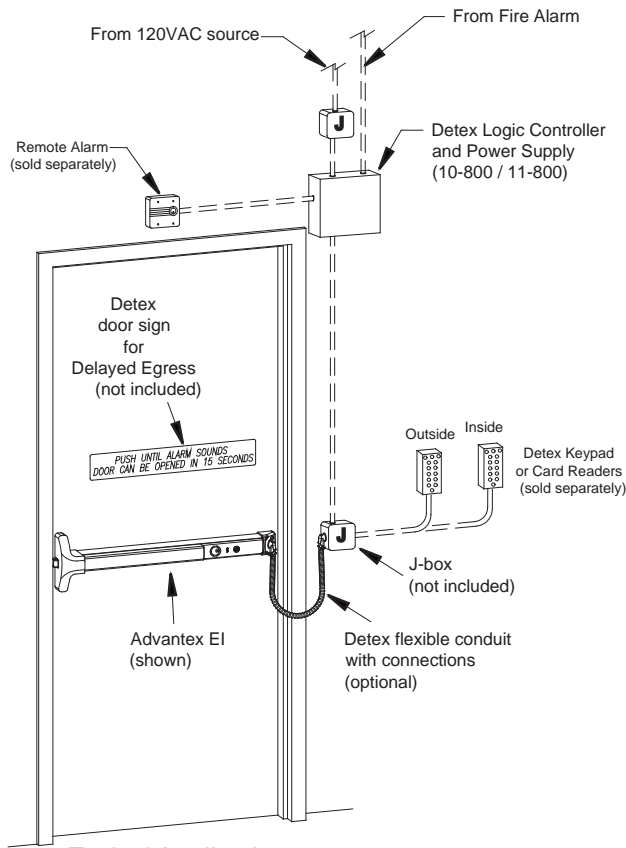
Electrical Options

- Access Control compatible
- Battery backup, 12VDC or 24VDC, 4AH
- M12 module provides 12VDC @ 400mA for access control components
- Tamper Switch
- Pre-wired terminal strip with labels for easy identification (11-800)

Technical Information

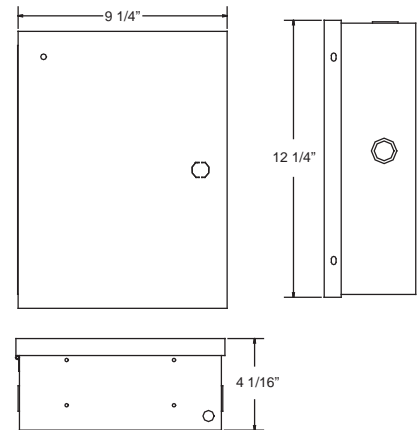
- 110VAC input
- Remote Relay 2A
- Bolt Position /Door Position Switches Relay 2A
- 12 or 24 VDC output, 2A
- Controls 2 doors within 100 feet using 18ga stranded wires
- Local Alarm Relay 5A
- Lock Relay 2A

Riser Diagram



Typical Application - Delayed Egress with Access Control

Dimensions (10-800/11-800)



Listings and Approvals



UL Listed Power Supply and Special Locking Arrangement (Delayed Egress)

Detex Limited Warranty

3 Year Limited Manufacturer's Warranty

Cancer & Reproductive Harm - www.detex.com/prop65

Where Trust is Built™
DETEX®
 Life Safety, Security and Security Assurance

Detex Corporation
 302 Detex Drive
 New Braunfels, Texas 78130-3045 USA
 PH. (830) 629-2900
 (800) 729-3839
 FAX (800) 653-3839
<http://www.detex.com>
 USA Sales:
marketing@detex.com
 International Sales:
export@detex.com

Series 800

80-800 / 90-800

Power Supply

The Detex 80-800 or 90-800 Power Supply is designed for applications requiring a continuous supply of a regulated, filtered output voltage. The Detex 80-800 Power Supply includes a battery charging circuit. Batteries provide backup for uninterrupted service.



80-800



90-800

Benefits

- Simplifies installations that do not require a conduit, Class 2 outputs standard and may be wired directly to 115VAC input
- Provides continuous regulated and filtered 12VDC or 24VDC (80-800); 24VDC (90-800)
- Designed specifically to support electric locks and access control systems
- Provides individual fused protection, field reset
- On/Off switch allows for easy service and inspection

Features

- Fire alarm input provides release of fail-safe locks in case of emergency (80-800/90-800)
- Field selectable outputs (80-800 only)
- Auto-resetting circuit protection (80-800/90-800)
- Battery charging circuit, PTC protection (80-800 only)
- LED system status indicator (80-800/90-800)
- Class 2 outputs (80-800/90-800)
- Heavy gauge enclosure, 18ga (80-800/90-800)
- Low battery disconnect when batteries are below 70% capacity (80-800 only)

Accessories

- Batteries (80-800 only)

Technical Information

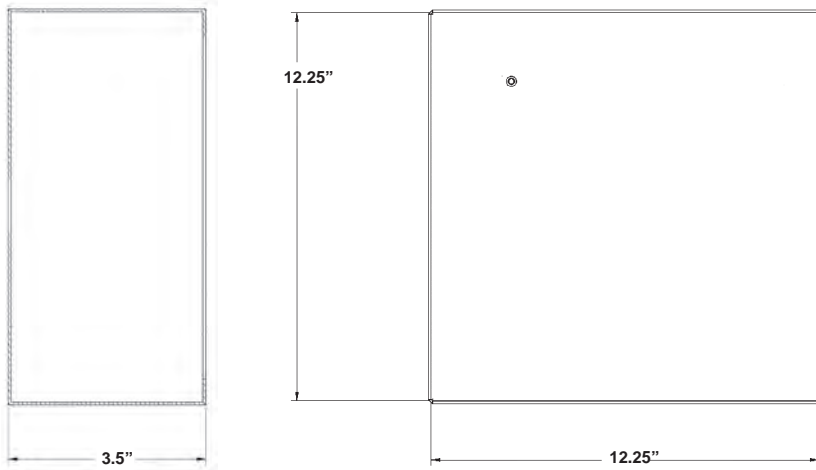
- Input: 115VAC, 50/60 Hz
- 80-800 (1) Output: 12 or 24VDC, 1A
- 90-800 (2) Outputs: 24VDC, 1A
- Battery Charger: 13.5/27VDC, 500mA (80-800 only)

Finishes

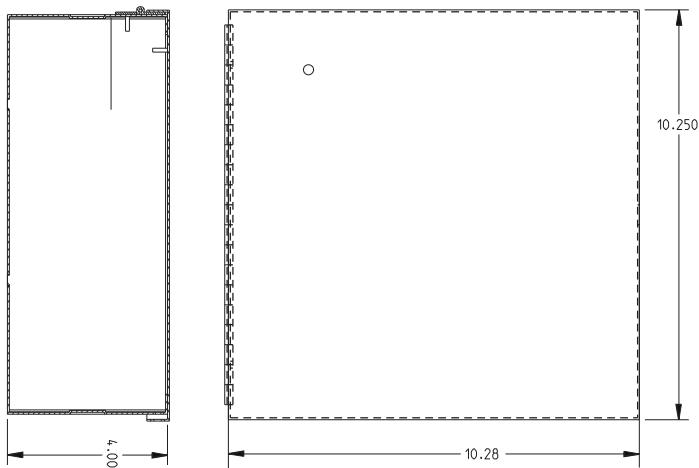
• Painted Beige - 80-800

• Painted Black - 90-800

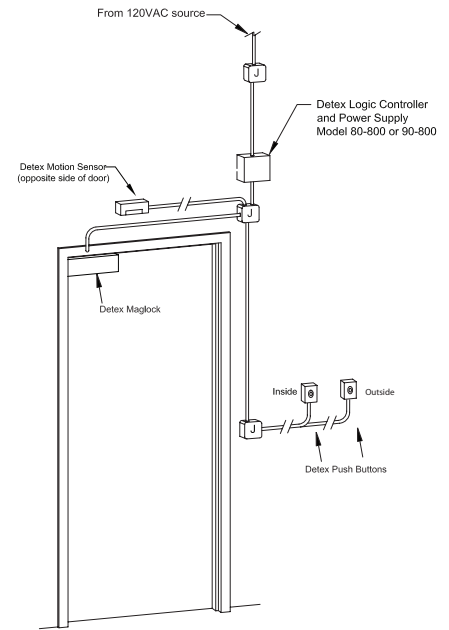
Dimensions (80-800)



Dimensions (90-800)



Riser Diagram




Listings and Approvals



Detex Limited Warranty
3 Year Limited Manufacturer's
Warranty

Where Trust is Built™
DETEX®
Life Safety, Security and Security Assurance

Detex Corporation
302 Detex Drive
New Braunfels, Texas 78130-3045 USA
PH. (830) 629-2900
(800) 729-3839
FAX (800) 653-3839
<http://www.detex.com>
USA Sales:
marketing@detex.com
International Sales:
export@detex.com

 Cancer & Reproductive Harm - www.detex.com/prop65

Series 800

81-800 / 82-800 / 83-800

Logic / Power Supply - Latch Retraction

Detex Series 800 logic and power supplies convert 120VAC into regulated and filtered 24VDC, providing a secure, consistent, power feed to various electrified door hardware accessories, primarily access control components, such as Detex latch retraction exit devices.



81-800 / 82-800



83-800

Benefits

- Filtered and regulated 24VDC power protects circuitry from stray power surges and spikes
- While others require 2 amp power supplies for single door applications, Detex allows you to specify and supply the economical 81-800 for single door latch retraction applications
- The Series 800 products have been engineered to provide superior operation through design integration with all Detex electric latch retraction options

Features

- 81-800 - 1 AMP continuous, controlling 1 Detex latch retraction (ER) device for 1 door
- 82-800 - 2 AMP continuous, controlling 2 Detex latch retraction (ER) devices for a pair of doors
- 83-800 - 2 AMP continuous, controlling 2 Detex latch retraction (ER) devices for 2 independent doors
- Battery charging circuit included standard (batteries sold separately) - see accessories
- Design provides enough power to cycle Detex latch retraction motor, one time, even if power is lost while attempting to open the door and gain access
- 81-800, 82-800 and 83-800 have standard output used to signal automatic door operators

Mechanical Options

- L - cover lock (cam style) & 2 keys

Electrical Options

- M12 - 12 volt module provides 12VDC power

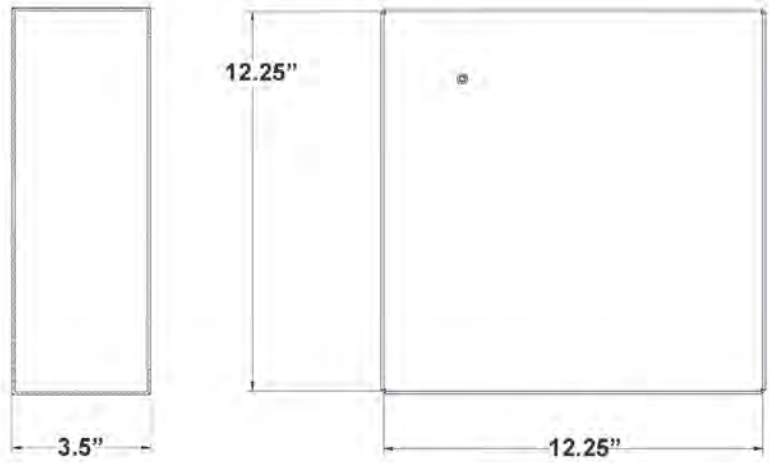
Accessories

- 70-24B - 24VDC 4 AMP hour battery pack

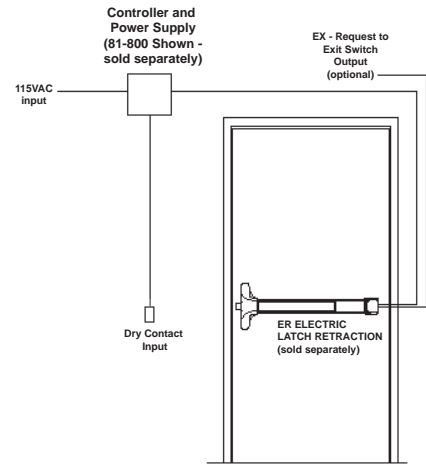
Technical Information

- 12.25" high x 12.25" wide x 3.5" deep
- 18 gauge steel
- Machine and Sheet Metal Screws (Std.)
- Beige with hinged cover
- Knockout holes provided for conduit connection

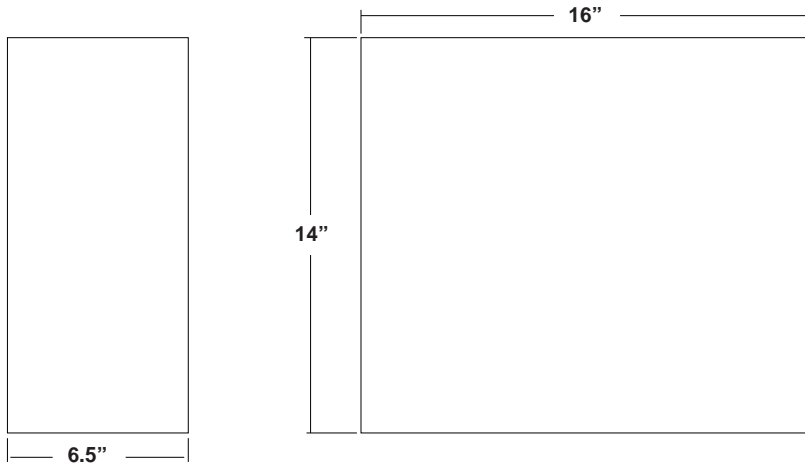
Dimensions (81-800 and 82-800)



Riser Diagram



Dimensions (83-800)



Listings and Approvals



UL Listed



ANSI/BHMA certified A156.3



Meets NFPA 80 & 101 for Life Safety, CA Title 19

Detex Limited Warranty

3 Year Limited Manufacturer's Warranty

Where Trust is Built™
DETEX®
Life Safety, Security and Security Assurance

Detex Corporation
 302 Detex Drive
 New Braunfels, Texas 78130-3045 USA
 PH. (830) 629-2900
 (800) 729-3839
 FAX (800) 653-3839
<http://www.detex.com>
 USA Sales:
marketing@detex.com
 International Sales:
export@detex.com

Cancer & Reproductive Harm - www.detex.com/prop65

Series 800

84-800 / 85-800

Logic / Power Supply - Delayed Egress with Latch Retraction

Detex 84-800 and 85-800 are logic and power supply controllers that provide both the electronic logic interface between the delayed egress and latch retraction functions and a secure, consistent power feed to the exit devices. Included with the controller is the Remote Interface Unit (RIU) containing the alarm and keyswitch for the delayed egress.



84-800
(single doors)



85-800
(pairs of doors)



RIU specified & supplied
with Logic Controller

Benefits

- Power supply and controller all in one box
- All connections centralized
- Single AC line voltage required to activate
- Allows you to specify and supply the economical 84-800 for single door or 85-800 for 2-door latch retraction, delayed egress applications
- The Series 84-800 and 85-800 products have been engineered to provide superior operation through design integration with electric latch retraction, delayed egress options

Features

- 84-800 - 1A continuous, controls 1 Detex electric latch retraction, delayed egress (EExER) device for 1 door
- 85-800 - 2A continuous, controls 2 Detex electric latch retraction, delayed egress (EExER) devices for a pair of doors
- Fire alarm input for life safety compliance
- Filtered and regulated 24VDC power protects circuitry from stray power surges and spikes
- Fuse protected
- Connections are labeled to identify circuits
- Can be bypassed or rearmed with key or Access Control
- DSM - Door Signal Module signals Automatic Operators
- Cable harnesses engineered to take guesswork out of making correct point to point connections
- Cable harness lengths allow 84/85-800 enclosures to be located up to 15' from device
- Status LEDs toggle on or off for easy troubleshooting
- Output relay for local and remote alarm

Mechanical Options

84-800/85-800

- Cover lock key

RIU

- Flush or Surface Mounting
- KS - Key Stop, factory installed

- SSK - Security Screws

Electrical Options

- RIU - Arming Options:
 - 3 chirps (Default)
 - SA - Silent Arming
 - LN - Less Nuisance Alarm
 - RKO - Rearm with Key Only
 - 1 second arming
- M12 - 12VDC @ 300mA module in addition to 24VDC power (eliminates DSM on 85-800)
- ER options powers 1 EExER and 1 ER only Exit device (85-800 only)
- 30 second Delayed Egress - requires written letter from AHJ

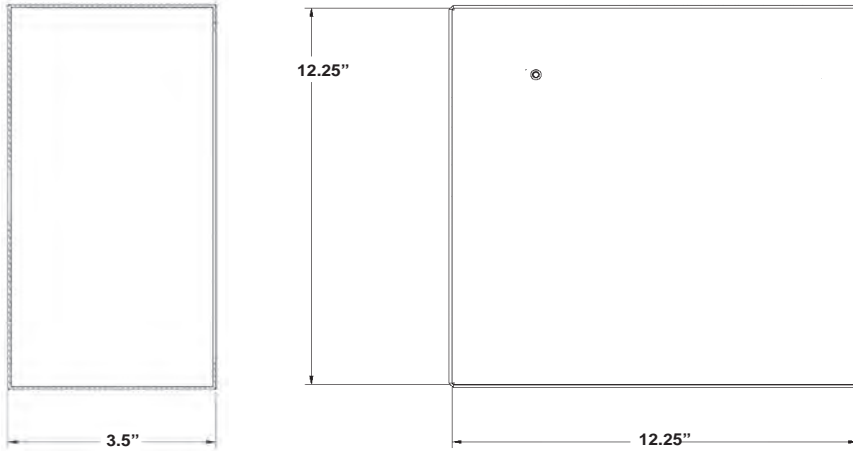
Accessories (RIU)

- MC65 Mortise Cylinder (installed)
- IC7 Interchangeable core housing (installed)

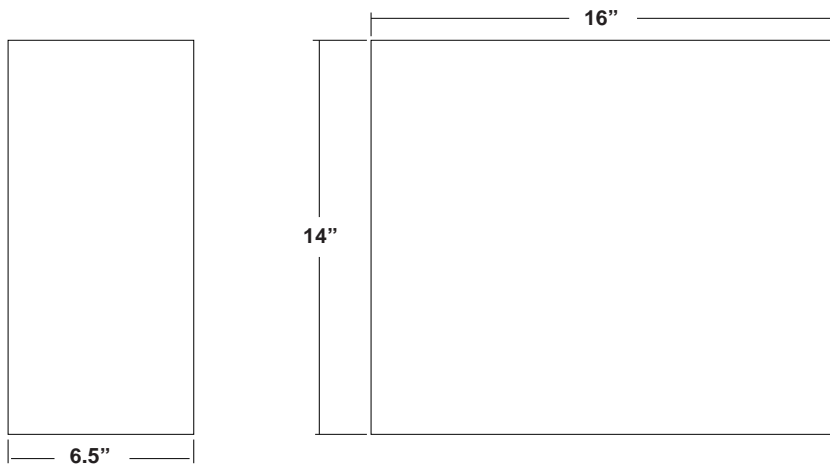
Technical Information

- 12.25" high x 12.25" wide x 3.5" deep (84-800)
- 14" high x 16" wide x 6.5" deep (85-800)
- 110VAC input
- 24VDC output, 1A (84-800) or 2A (85-800)
- Beige with hinged cover
- 18 gauge steel
- Knockout holes provided for conduit connection
- Machine and Sheet Metal Screws (Std.)

Dimensions (84-800)



Dimensions (85-800)



Listings and Approvals



UL Listed



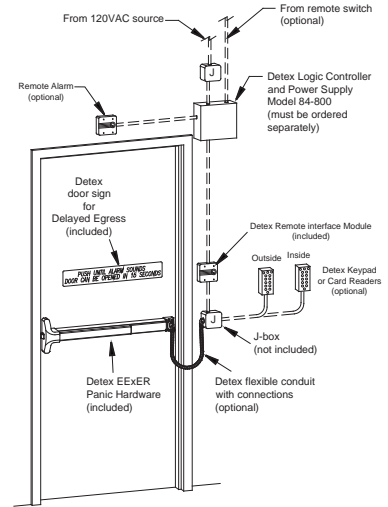
ANSI/BHMA certified A156.3



Meets NFPA 80 & 101 for Life Safety, CA Title 19

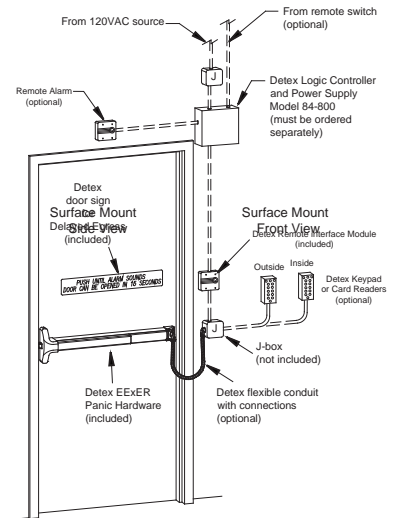
Detex Limited Warranty
3 Year Limited Manufacturer's Warranty

Riser Diagram



Dimensions (RIU)

Front and Side View



Cancer & Reproductive Harm - www.detex.com/prop65

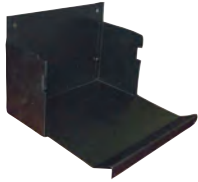
Where Trust is Built™
DETEX®
Life Safety, Security and Security Assurance

Detex Corporation
302 Detex Drive
New Braunfels, Texas 78130-3045 USA
PH. (830) 629-2900
(800) 729-3839
FAX (800) 653-3839
<http://www.detex.com>
USA Sales:
marketing@detex.com
International Sales:
export@detex.com

Series 800

Series 800 Accessories

Batteries



70-02B - Battery Box Extension; Black; Battery sold separately



70-12B - 12VDC 4AH - 1 battery provided



70-24B - 24VDC 4AH - 2 batteries provided



Cancer & Reproductive Harm - www.detex.com/prop65

September 17, 2018

Where Trust is Built™
DETEx®
Life Safety, Security and Security Assurance

Detex Corporation
302 Detex Drive
New Braunfels, Texas 78130-3045 USA
PH. (830) 629-2900
(800) 729-3839
FAX (800) 653-3839
<http://www.detex.com>
USA Sales:
marketing@detex.com
International Sales:
export@detex.com

Integrated Door Security Systems

EasyKit[®]

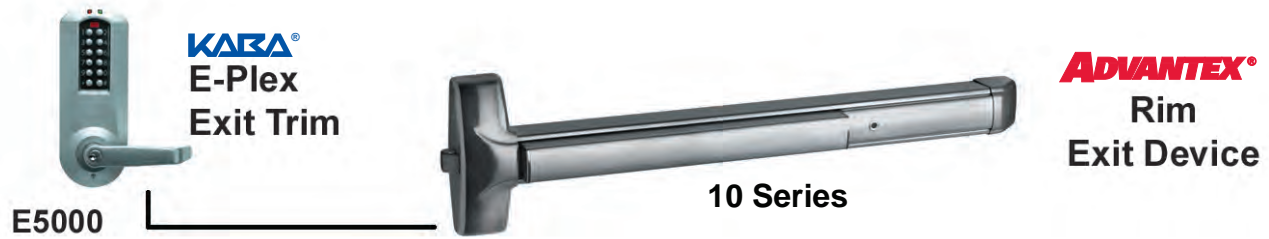


EasyKit®

ACDx10xE5000

Access Controlled Doors

The ACDxE5000 EasyKit offers industry-proven life safety and security hardware for high-use, high-abuse doors with a cost-effective access control solution.



Benefits

- Cost-effective access control with panic hardware in one easy-to-install kit
- No key or cards to manage
- Audit trail provides additional security management
- Pin code can be changed in seconds
- Easy-to-replace standard AA batteries
- Tough and durable design for years of trouble-free service in high-use, high-abuse environments
- Minimal door prep with no through-door wiring saves time and money

Features

- E5000 features cast stainless steel internal drive parts
- Stainless steel deadlocking Pullman-type latch bolt on exit device
- Weatherproof trim requires no outside gasket
- Non-handed
- Field sizeable panic device
- E5000 offers up to 100 access codes
- 1/8 turn dogging
- Optional easy-to-use Excel-based software
- Heavy-duty angled end cap deflects damage away from panic device
- Battery pack included

For more information on 10 Series exit devices, see individual catalog pages

For more information on E5000 visit www.kaba-ilco.com/access_control

Mechanical Options

- CD - Cylinder Dogging
- HD - Hex Dogging (Std.)
- LD - Less Dogging
- 36 - Fits 36" door width (Std.)
- 48 - Fits 48" door width
- F - 3-Hour Fire Rated (both E5000 and panic device)
- H - Hurricane Rated
- 99 - surface strike (Std.)
- 98 - semi mortise strike

Electrical Options

- Exit Alarm (EA)
 - Electric Dogging (ED)
 - Electric Integration (EI)
 - Electric Latch Retraction (ER)
 - Delayed Egress - Self Contained (EE)
 - Delayed Egress with Latch Retraction (EExER)
 - Delayed Egress - Mag Lock (EM)
 - Electric Switching (ES)
 - Request to Exit (EX/EXV)
 - Request to Exit Weatherized (EXxW)
- Refer to Electrified Options section for more information

Accessories

- SN1 - Sex Nut Fasteners
- SSK1 - Torx Security Screw Kit

Where Trust is Built™
DETEx®
Life Safety, Security and Security Assurance

Technical Information

- Door Types - Wood, Hollow Metal, Fiberglass or Aluminum
- Door Thickness - Fits standard 1-3/4" - 2-1/4" (for other door thicknesses, contact factory)
- Door Stile - Fits minimum 5" wide stile with 99 strike (Std.)
- Machine and Sheet Metal Screws (Std.)
- Rail - Heavy Ribbed Aluminum Extrusion
- E5000 numeric pushbuttons - vandal resistant, 12 button, metal keys
- E5000 construction is solid cast housing and solid cast zinc levers

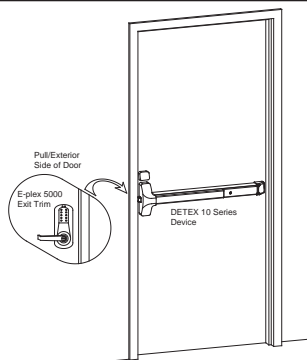
Finishes (Kaba)

- 626/26D Satin Chrome
- 606/04 Lifetime Satin Brass
- 695/55 Duranodic
- 605/03 Lifetime Bright Brass

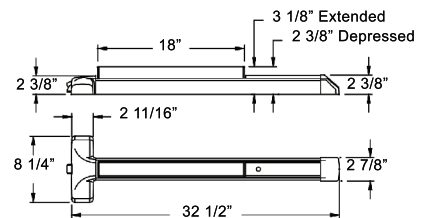
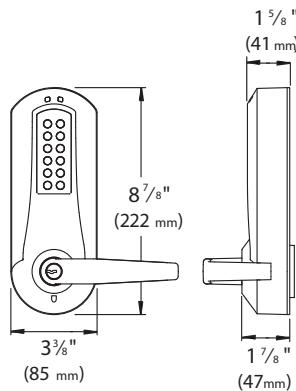
Finishes (Advantex)

- 605 / US3 - Polished Brass
- 606 / US4 - Brushed Brass
- 611 / US9 - Polished Bronze
- 612 / US10 - Brushed Bronze
- 613 / US10B - Oil Rubbed Bronze
- 629 / US32 - Polished Stainless Steel
- 630 / US32D - Brushed Stainless Steel

Riser Diagram



Dimensions



10 Series Dimensions Shown

Detex Limited Warranty

Advantex - 10 Year Mechanical / 3 Year Electrical Manufacturers Limited Warranty

E5000 - 3 year Manufacturers Warranty

Listings and Approvals Advantex

- UL Listed Panic Hardware
- LISTED UL Listed Fire Exit Hardware for 3 hours, maximum
- LISTED 4'x10' single doors and pairs of 4'x8' with F90KR key removable Mullion
- Meets ADA requirements
- UBC 97, Standard 7-2 and UL10C for positive pressure
- ANSI/BHMA certified A156.3
- Meets NFPA 80 & 101 for Life Safety
- Miami-Dade County, Florida NOA 10-0303.02 EXP. 04/07/15 } 10 Series Only
- State of Florida Approval FL9052
- California State Fire Marshall - 4140-0127:105 and 3725-0127:108

Listings and Approvals E5000

- LISTED • 3 Hour UL & ULC fire rating for "A" labeled doors
- Meets ADA requirements
- ANSI/BHMA A156.2-2001 Grade 1

Where Trust is Built™
DETEX®
Life Safety, Security and Security Assurance

Detex Corporation
 302 Detex Drive
 New Braunfels, Texas 78130-3045 USA
 PH. (830) 629-2900
 (800) 729-3839
 FAX (800) 653-3839
 http://www.detex.com
 USA Sales:
 marketing@detex.com
 International Sales:
 export@detex.com

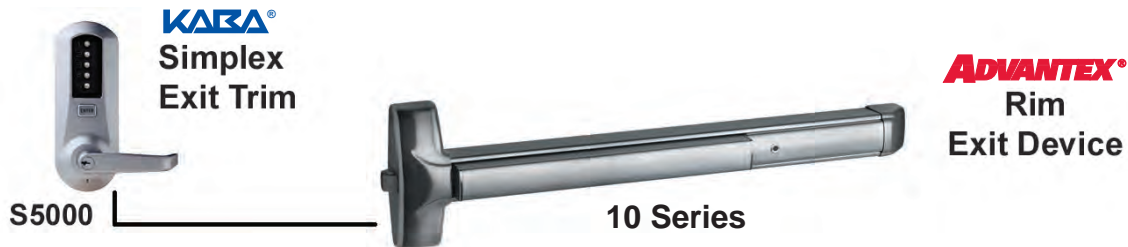
Cancer & Reproductive Harm - www.detex.com/prop65

EasyKit®

ACDx10xS5000 ACDx20/21xS5000

Access Controlled Doors

The ACDxS5000 EasyKit offers industry-proven life safety and security hardware for high-use, high-abuse doors with a cost-effective access control solution.



(Shown on 10 Series Rim Exit Device - Available with 20/21 Series Surface Vertical Rod Devices and Value Series V40 and V50 Devices)

Benefits

- Cost-effective access control with panic hardware in one easy-to-install kit
- One easy-to-order/specify catalog number for this turnkey solution
- No key or cards to manage
- One common pin code for all users
- Pin Code can be changed in seconds
- No batteries to replace
- Tough and durable design for years of trouble-free service in high-use, high-abuse environments
- Minimal door prep saves time and money

Features

- S5000 features cast stainless steel internal drive parts
- Stainless steel deadlocking Pullman-type latch bolt on exit device
- Non-handed
- Field sizeable panic device
- 1/8 turn dogging
- Heavy-duty angled end cap deflects damage away from panic device

For more information on 10/20/21 exit devices, see individual catalog pages

For more information on Value Series exit devices, see [V40](#) and [V50](#) catalog pages

For more information on S5000 visit www.kaba-ilco.com/access_control

Mechanical Options

- CD - Cylinder Dogging
- HD - Hex Dogging (Std.)
- LD - Less Dogging
- 36 - Fits 36" door width (Std.)
- 48 - Fits 48" door width
- F - 3-Hour Fire Rated (both S5000 and panic device)
- H - Hurricane Rated
- 99 - surface strike (Std.)
- 98 - semi mortise strike

Electrical Options

- Exit Alarm (EA)
 - Electric Dogging (ED)
 - Electric Integration (EI)
 - Electric Latch Retraction (ER)
 - Delayed Egress - Self Contained (EE)
 - Delayed Egress with Latch Retraction (EExER)
 - Delayed Egress - Mag Lock (EM)
 - Electric Switching (ES)
 - Request to Exit (EX/EXV)
 - Request to Exit Weatherized (EXxW)
- Refer to Electrified Options section for more information

Accessories

- SN1 - Sex Nut Fasteners
- SSK1 - Torx Security Screw Kit

Technical Information

- Door Types - Wood, Hollow Metal, Fiberglass or Aluminum
- Door Stile - Fits minimum 5" wide stile with 99 strike (Std.)
- S5000 numeric pushbuttons - vandal resistant, anodized aluminum
- Door Thickness - Fits standard 1-3/4" - 2-1/4" (for other door thicknesses, contact factory)
- Machine and Sheet Metal Screws (Std.)
- S5000 construction is solid cast housing and solid cast zinc levers
- Rail is Heavy Ribbed Aluminum Extrusion

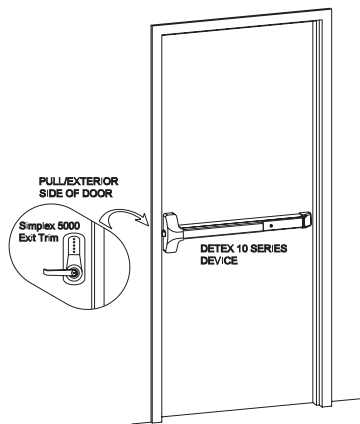
Finishes (KABA)

- 626/26D Satin Chrome
- 695/55 Duranodic
- 605/03 Lifetime Bright Brass
- 606/04 Lifetime Satin Brass

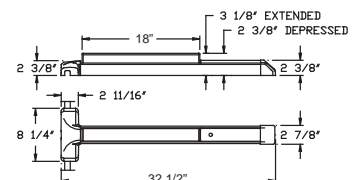
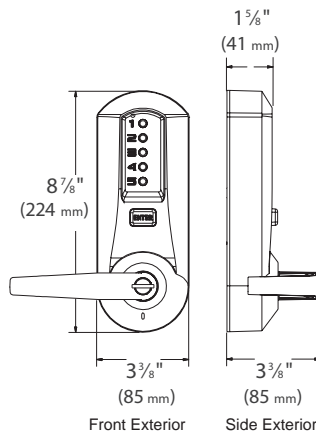
Finishes (Advantex)

- 605 / US3 - Polished Brass
- 612 / US10 - Brushed Bronze
- 629 / US32 - Polished Stainless Steel
- 606 / US4 - Brushed Brass
- 613 / US10B - Oil Rubbed Bronze
- 630 / US32D - Brushed Stainless Steel
- 611 / US9 - Polished Bronze

Riser Diagram



Dimensions



10 Series Dimensions Shown

Listings and Approvals
Advantex and Value Series

- UL Listed Panic Hardware
- UL Listed Fire Exit Hardware for 3 hours, maximum 4'x10' single doors and pairs of 4'x8' with F90KR key removable Mullion
- Meets ADA requirements
- UBC 97, Standard 7-2 and UL10C for positive pressure
- ANSI/BHMA certified A156.3
- Meets NFPA 80 & 101 for Life Safety
- Miami-Dade County, Florida NOA 10-0303.02 EXP. 04/07/15
State of Florida Approval FL9052
- California State Fire Marshall - 4140-0127:105 and 3725-0127:108

Listings and Approvals
S5000

- 3 Hour UL & ULC fire rating for "A" labeled doors
- Meets ADA requirements
- ANSI/BHMA A156.2-2001 Grade 1

Detex Limited Warranty
Advantex - 10 Year Mechanical /
3 Year Electrical Manufacturers
Limited Warranty

S5000 - 3 year Manufacturers
Warranty



Detex Corporation
302 Detex Drive
New Braunfels, Texas 78130-3045 USA
PH. (830) 629-2900
(800) 729-3839
FAX (800) 653-3839
<http://www.detex.com>
USA Sales:
marketing@detex.com
International Sales:
export@detex.com

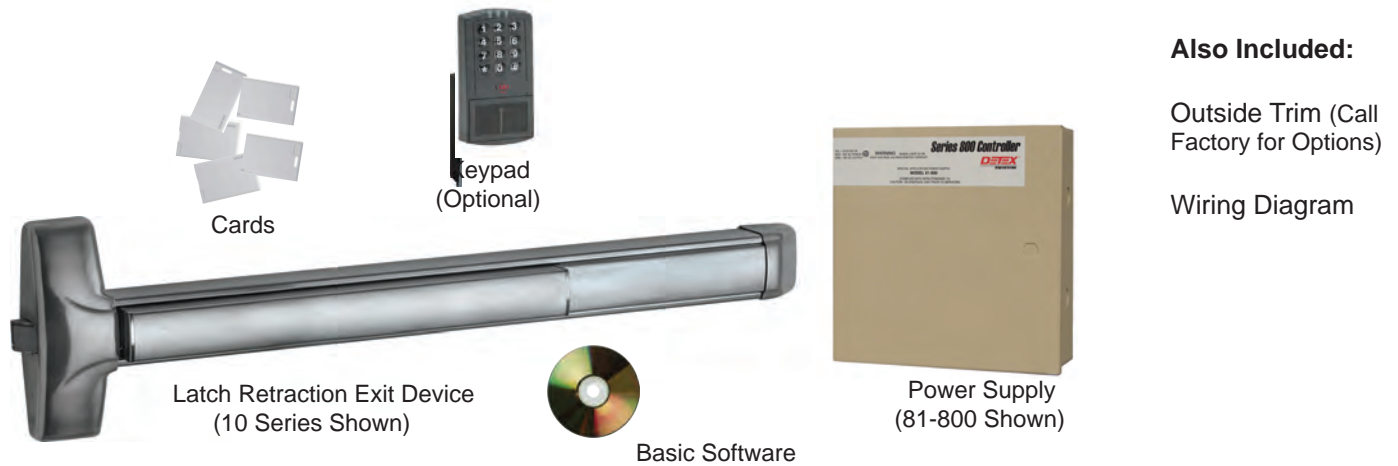
Cancer & Reproductive Harm - www.detex.com/prop65

EasyKit®

ACDx10ER ACDx40ER

Access Controlled Doors with Latch Retraction

The ACDx10ER EasyKit offers industry-proven life safety and security hardware for high-use, high-abuse doors with innovative, access control readers and software providing an easy-to-install, access control solution.



(Shown on 10 Series Rim Exit Device - Available with 10/40 Rim, 30 Mortise and 20/21/50/51 Surface Vertical Rod Devices)

Benefits

- Innovative, robust proximity technology allows for heavy access control applications
- Easy-to-install, heavy-duty hardware provides years of trouble-free, heavy access control use
- Easy-to-manage software tracks hundreds of users and cards
- Easily managed, add or delete users as needed, when necessary
- EasyKit includes all required hardware, wiring and riser diagrams for easy to order, easy to install, easy to use package
- Each kit is easily configured for entry read and/or exit read applications
- Minimal door and frame prep saves time and money

Features

- Kit includes, Power supplies, Controllers, Latch Retraction exit device with trim, 2 access control readers, cards and basic software
- Stainless steel deadlocking Pullman-type latch bolt on exit device
- Non-handed exit hardware
- Heavy-duty angled end cap deflects damage away from panic device

Mechanical Options

- 36 - Fits 36" door width (Std.)
- 48 - Fits 48" door width
- F - 3 hour fire rated exit device
- H - Hurricane Rated exit device
- 99 - surface strike (Std.)
- 98 - semi mortise strike

Electrical Options

- Request to Exit (EX) pushpad switch for remote signaling upon exit
- M12 - Power Supply 12V module for other low volt accessories
- LBM - Latch Bolt Monitor
- FC - Flex Conduit and End Cap
- PT5 - Power Transfer
- EWH8-626 - Electric Hinge

Accessories

- SN1 - Sex Nut Fasteners
- Various configurable cylinder trims, pulls and levers (Call factory for specific details)

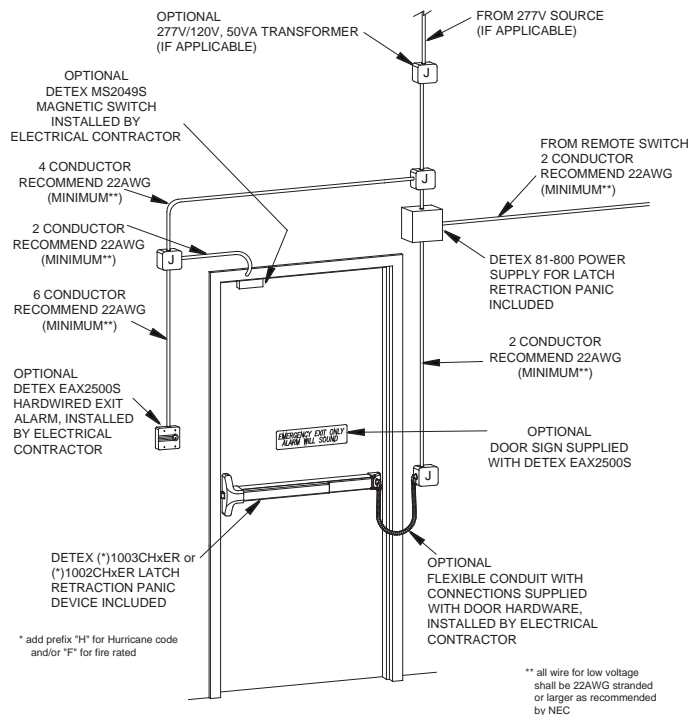
Technical Information

- Door Types - Wood, Hollow Metal, Fiberglass or Aluminum
- Door Thickness - Fits standard 1-3/4" - 2-1/4" (for other door thicknesses, contact factory)
- Medium Stile - Wide stile rim and surface vertical rod fits minimum 5" stile with 99 strike (Std.)
- Narrow Stile - Narrow stile rim and surface vertical rod fits minimum 2" stile with 98 strike (optional)
- Machine and Sheet Metal Screws (Std.)
- Rail is heavy ribbed aluminum extrusion

Finishes (Advantex)

- 605 / US3 - Polished Brass
- 606 / US4 - Brushed Brass
- 611 / US9 - Polished Bronze
- 612 / US10 - Brushed Bronze
- 613 / US10B - Oil Rubbed Bronze
- 629 / US32 - Polished Stainless Steel
- 630 / US32D - Brushed Stainless Steel

Riser Diagram



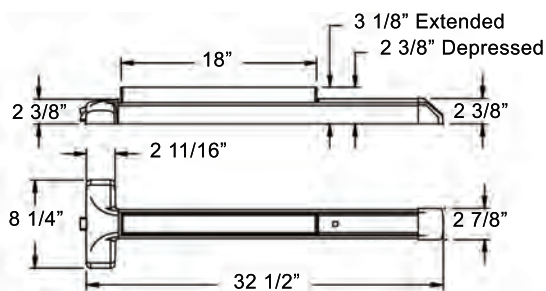
Listings and Approvals - Advantex

- UL Listed Panic Hardware
- UL LISTED UL Listed Fire Exit Hardware for 3 hours, maximum
- UL LISTED 4x10" single doors and pairs of 4x8" with F90KR key removable Mullion
- Meets ADA requirements
- UBC 97, Standard 7-2 and UL10C for positive pressure
- BHMA ANSIBHMA certified A156.3
- NFPA Meets NFPA 80 & 101 for Life Safety
- Miami-Dade County NOA 10-0303.02 EXP. 04/07/15 State of Florida Approval FL9052 } 10 Series Only
- California State Fire Marshall - 4140-0127:105 and 3725-0127:108

Detex Limited Warranty

Advantex - 10 Year Mechanical / 3 Year Electrical Manufacturers Limited Warranty

Dimensions



10 Series Dimensions Shown



Cancer & Reproductive Harm - www.detex.com/prop65

Where Trust is Built™
DETEX®
Life Safety, Security and Security Assurance

Detex Corporation
302 Detex Drive
New Braunfels, Texas 78130-3045 USA
PH. (830) 629-2900
(800) 729-3839
FAX (800) 653-3839
<http://www.detex.com>
USA Sales:
marketing@detex.com
International Sales:
export@detex.com

EasyKit®

ACDxML-1548RT

Access Controlled Doors

The ACDxML-1548RT EasyKit offers industry-proven security hardware for controlled entry or exit as well as hands free entry or exit. The ACDxML-1548RT is a simple, easy-to-install, access control solution, which is ideal for selected access lobbies and preferred customer entrances/exits.



Motion Detector



Push Button



Electromagnetic Lock



Power Supply

Also Included:

Wiring Diagram
(not shown)

Benefits

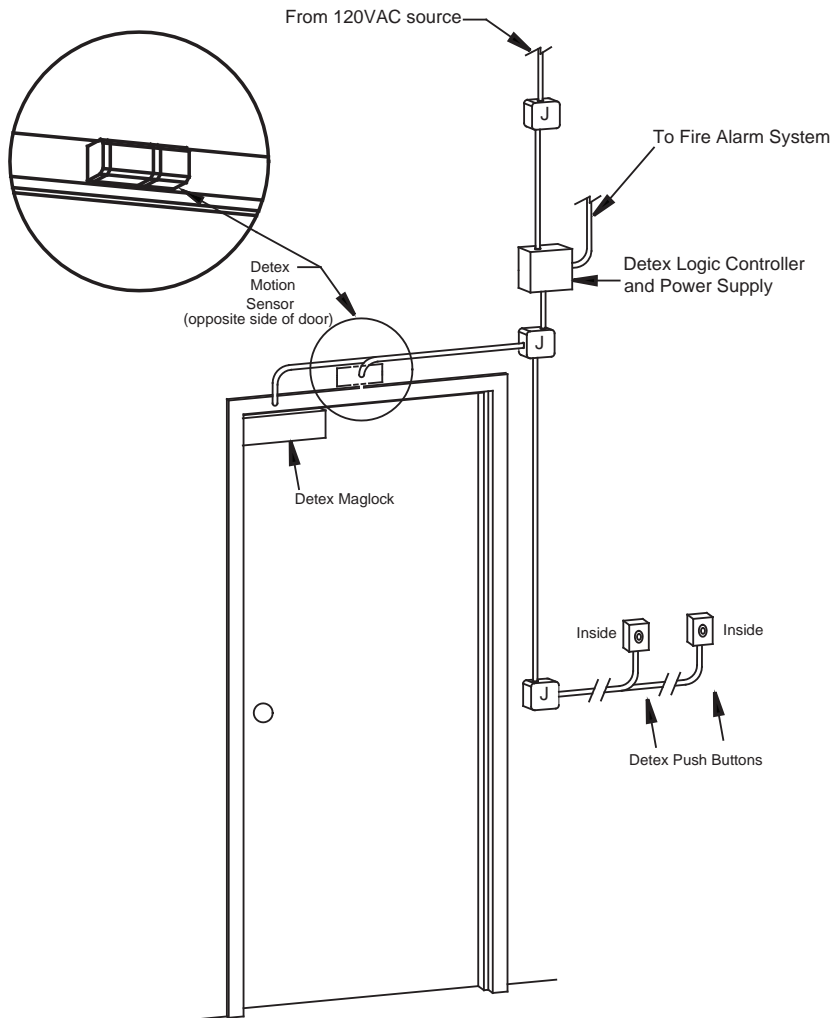
- Easy installation with integrated components
- Motion detector unlocks magnetic lock allowing controlled access
- Push button unlocks magnetic lock allowing controlled access
- Minimal door and frame prep saves time and money

Features


- Kit includes, Power supply, magnetic lock, motion sensor, push button and point-to-point drawing
- May be wired to fire alarm for emergency release compliance
- Magnetic lock is equipped with a field adjustable timer to control the amount of time the magnet remains unlocked once the push button is activated.
NOTE: When used in a means of egress, code requires a minimum of 30 seconds.
- Complies with NFPA 101 Access Controlled Egress Door Assemblies

Technical Information

- Door Types - Wood, Hollow Metal, Fiberglass or Aluminum



Detex Corporation
302 Detex Drive
New Braunfels, Texas 78130-3045 USA
PH. (830) 629-2900
(800) 729-3839
FAX (800) 653-3839
<http://www.detex.com>
USA Sales:
marketing@detex.com
International Sales:
export@detex.com

 Cancer & Reproductive Harm - www.detex.com/prop65

EasyKit®

ACDxEAX-2500Sx1S-X Access Controlled Doors

The ACDxEAX-2500 EasyKit offers industry-proven security hardware for exit doors. With its 100db horn and strobe, it is designed for use in environments where loud noises could possibly mask the sound of the alarm alone, which would sound when an unauthorized use of the exit occurs. The strobe gives you the visual indication in the event you cannot hear the alarm.



Exit Alarm



Magnetic Switch



Power Supply



Horn/Strobe

ACDxEAX-2500Sx1S-5FXG (shown)

Benefits

- Field selectable features allow customer to choose status indicators and auto rearm options
- 100dB piezo horn provides security for restricted doors
- Easy to install using ordinary tools
- Strobe provides visual indication when door is violated
- 90-800 power supply provides power for entire system
- Point to Point Wiring Diagram

Features

- Surface & Flush mount available
- Horn/Strobe has plastic back box
- Tamper resistant housing and cover protects electronics from manipulation
- Low battery alert is field selectable
- Alarm status indicator is field selectable

Mechanical Options

- KS - Key Stop (Key removed only when armed)
- Additional magnetic switch for double door applications
- EAX-2500 Flush or Surface

Electrical Options

- Configuration allows the EasyKit to match your field voltage (277V, 120V)

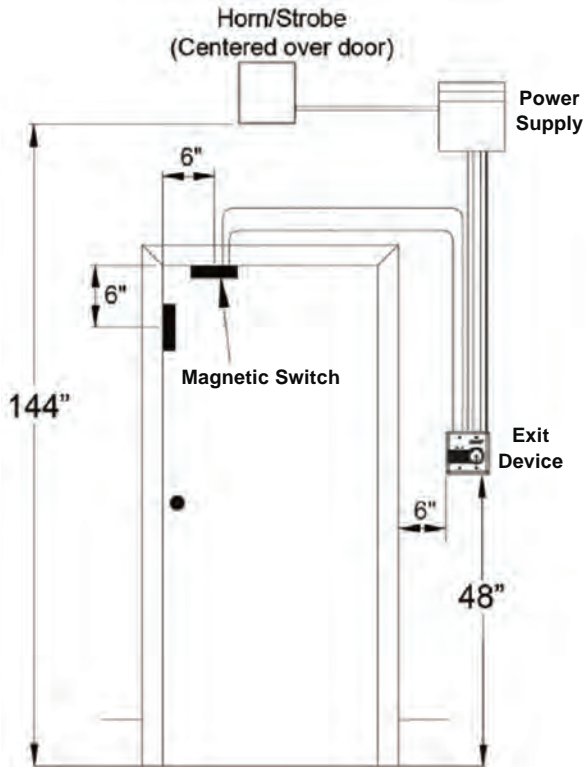
Accessories

- MC65 - Mortise cylinder installed at factory
- IC7 - Interchangeable housing installed at factory

Finishes

- Grey (Std.)
- Black

Riser Diagram



Listings and Approvals

EAX-2500S



ANSI/BHMA
A156.29

90-800



UL Listed

Horn/Strobe



UL Listed Outdoor Products to
UL 1638 (Strobe) and
UL 464 (Horn)
UL 1971 Signaling Appliances

Detex Limited Warranty

3 Year Manufacturer's Limited
Warranty

Where Trust is Built™
DETEX®
Life Safety, Security and Security Assurance

Detex Corporation
302 Detex Drive
New Braunfels, Texas 78130-3045 USA
PH. (830) 629-2900
(800) 729-3839
FAX (800) 653-3839
<http://www.detex.com>
USA Sales:
marketing@detex.com
International Sales:
export@detex.com

Cancer & Reproductive Harm - www.detex.com/prop65

EasyKit®
ACDxV40EX

Sales Floor To Stock Room Battery Powered Access Controlled Door

Designed to limit stockroom access to employees only, the ACDxV40EXx1S-1 EasyKit offers industry-proven code compliant life safety and security hardware for high-use doors with a cost-effective alarmed access control solution. Employees enter a common access code, temporarily bypassing the alarm and allowing an employee to enter the stockroom without sounding the alarm. A stockroom keypad is no longer required and the employee can quickly and easily return to the sales floor without fear of an alarm sounding. Customers trying to enter the stockroom will cause an alarm to sound, which can only be reset with an employee entering a common access code. Code compliant for both emergency exit doors and fire exit doors, the stockroom to sales floor EasyKit helps control who enters your stockroom.



Benefits

- Cost-effective alarmed access control with panic hardware in one easy-to-install kit
- Pin code can be changed in seconds with no keys or cards to manage
- Easy-to-replace standard 9-Volt batteries
- Tough and durable design for years of trouble-free service in high-use environments
- Minimal door prep with no through-door wiring saves time and money

Features

- Alarm features digital codes for Master, Management and Passage (used for Auto-Arming)
- Non-handed
- Field sizeable panic device
- Heavy-duty angled end cap deflects damage away from panic device
- Alarm is tamper switch supervised
- Alarm has audible low battery warning
- Alarm can be hardwired (power transfer or electric hinge required and sold separately)
- Alarm has audible volume control adjust
- Multiple door monitoring
- Stainless steel deadlocking Pullman-type latch bolt on exit device

Mechanical Options

- F - 3-Hour Fire Rated (panic device) - Specify ACDxFV40EXx1S-1
- 36 - Fits 36" door width for right hand reverse door (Std.) - Contact factory for left hand reverse
- 48 - Fits 48" door width for right hand reverse door - Specify ACDxV40EXx1S-2 - Contact factory for left hand reverse

Accessories (sold separately)

- SN1 - Sex Nut Fasteners
- SSK1 - Torx Security Screw Kit
- EWH8-626 - Electric Hinge
- PT-5 - Power Transfer

For more information on V40 Series exit devices, see individual catalog pages



Technical Information

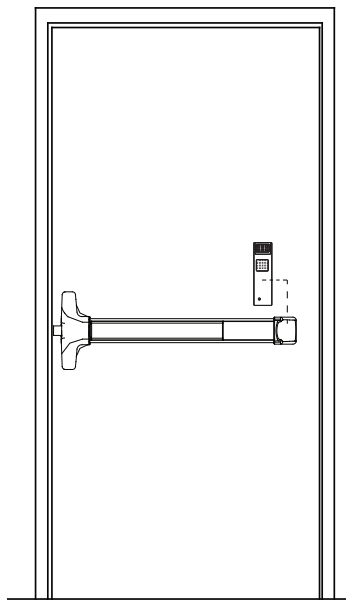
- Door Types - Wood, Hollow Metal, Fiberglass or Aluminum
- Door Stile - Fits minimum 5" wide stile with 99 strike (Std.)
- Alarm dimensions: 9.5"L x 2.5"W x 2.66" D
- Door Thickness - Fits standard 1-3/4" - 2-1/4" (for other door thicknesses, contact factory)
- Machine and Sheet Metal Screws (Std.)
- Alarm features 95dB (10') Piezo electronic sounder
- Rail - Heavy Ribbed Aluminum Extrusion

Finishes

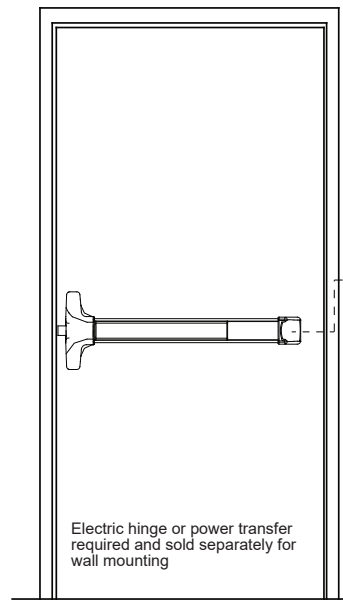
Value Series Finish: 628 Aluminum (Std.)

Alarm Finish: Metallic Silver

Riser Diagram



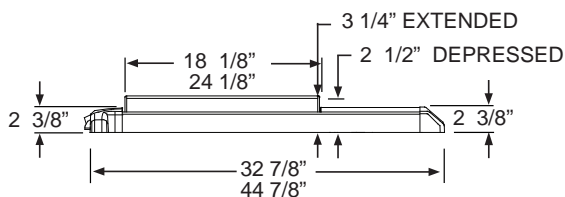
Keypad alarm mounted on door



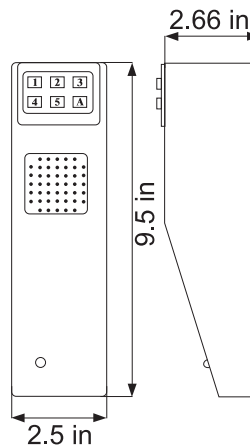
Keypad alarm mounted on wall

Dimensions

Value Series



Door Alarm




Detex Limited Warranty

10 Year Mechanical / 2 Year Electrical Manufacturer's Limited Warranty

Where Trust is Built™
DETEx[®]
Life Safety and Security Door Hardware

Detex Corporation
302 Detex Drive
New Braunfels, Texas 78130-3045 USA
PH. (830) 629-2900
(800) 729-3839
FAX (800) 653-3839
<http://www.detex.com>
USA Sales:
marketing@detex.com
International Sales:
export@detex.com

 Cancer & Reproductive Harm - www.detex.com/prop65

EasyKit®

DEx10EX

Delayed Egress With Electromagnetic Lock

The DE EasyKits provide a secure system with 15-second delay and 100dB alarm when someone attempts to exit. The DE EasyKit is ideal for retail stores, healthcare, assisted-living facilities, childcare, sports arenas and any location where a special locking delayed exit is required to prevent theft or to protect those trying to exit.



(Shown with 10 Series Rim Exit Device - Available with 10/40 Rim, 30 Mortise and 20/21/50/51 Surface Vertical Rod Devices)

Benefits

- Best-in-class components provide for fast, easy installation
- All hardware items provided with one easy-to-order, easy-to-specify part number
- Controls foot traffic, deters unauthorized exits, reduces employee and customer theft while providing a life safety, code-compliant application
- Key switch with LED's and horn are mounted on the wall, protecting the electronics from swinging into the weather

Features

- Configured Delayed Egress EasyKit includes all hardware, instructions, riser illustration and point-to-point wiring diagram
- Factory-programmed, pre-wired delayed egress controller / power supply
- Advantex panic device has stainless steel deadlocking Pullman-type latch bolt
- 100dB alarm
- Electromagnetic lock has 1500+ lbs. of holding force
- Form C, momentary key switch with green and red LEDs, arms, disarms and resets system
- Code-compliant delayed egress signage
- Hardware is non-handed (10/40) or reversible
- Fire Alarm override connected at controller / power supply
- Remote bypass and signaling options available
- Heavy-duty angled end cap deflects damage away from panic device
- Available in various configurations, for single and paired openings
- Easily add various access control options with or without an anti-tailgating option

Mechanical Options

- F - 3-Hour Fire Rated
- H - Hurricane Rated
- CD - Cylinder Dogging
- LD - Less Dogging
- 36 - Fits 36" Door Width (Std.)
- 48 - Fits 48" Door Width
- 99 - Surface Strike
- 98 - Semi Mortise Strike

Electrical Options

- 1 to 3 second adjustable nuisance alarm
- 120 Volt in/24 Volt out (Std.)
- Also available 277 Volt and 240 Volt

Accessories

- SN1 – Sex Nut Fasteners
- SSK - Torx Security Screw Kit
- Various brackets/spacers for Magnetic Lock(s)
- GB - Glass Bead Kits

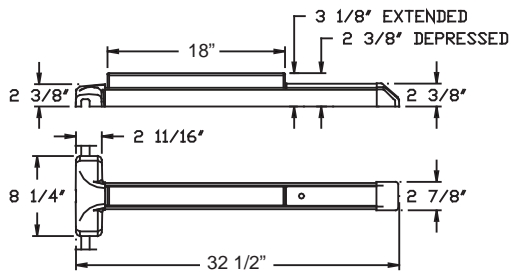
Technical Information

- Door Types - Wood, Hollow Metal, Fiberglass or Aluminum
- Minimum Stile - Advantex 10 Series: 4-5/8" with surface strike or 4-1/8" with optional semi-mortise strike
- Minimum Stile - Advantex 40, 50 Series: 2" with standard semi-mortise strike or 2-1/2" with optional surface strike

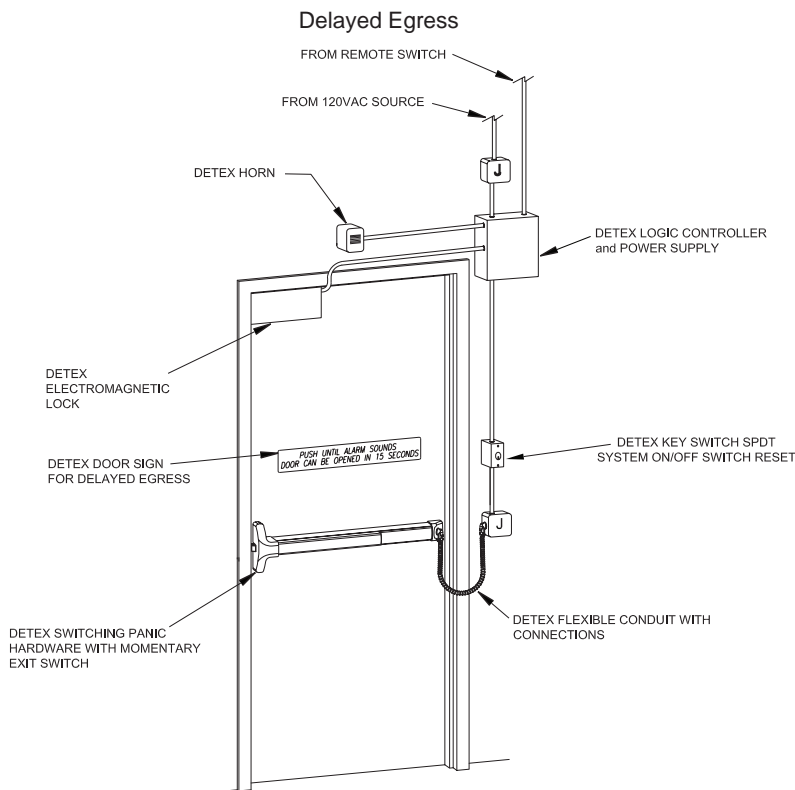
Finishes

605 / US3	Polished Brass	612 / US10	Brushed Bronze	629 / US32	Polished Stainless Steel
606 / US4	Brushed Brass	613 / US10B	Oil Rubbed Bronze	630 / US32D	Brushed Stainless Steel
611 / US9	Polished Bronze				

Dimensions (10 Series Shown)



Riser Diagram



Listings and Approvals Advantex

- UL Listed Panic Hardware
- LISTED UL Listed Fire Exit Hardware for 3 hours, maximum
- LISTED 4'x10' single doors and pairs of 4'x8' with F90KR key removable Mullion
- Meets ADA requirements
- UBC 97, Standard 7-2 and UL10C for positive pressure
- ANSI/BHMA certified A156.3
- Meets NFPA 80 & 101 for Life Safety
- Miami-Dade County, Florida NOA 10-0303.02 EXP. 04/07/15 } 10/40 Series Only
- State of Florida Approval FL9052
- California State Fire Marshall - 4140-0127-105 and 3725-0127-108

Detex Limited Warranty

Advantex - 10 Year Mechanical /
3 Year Electrical Manufacturers
Limited Warranty

Where Trust is Built™
DETEX®
Life Safety, Security and Security Assurance

Detex Corporation
302 Detex Drive
New Braunfels, Texas 78130-3045 USA
PH. (830) 629-2900
(800) 729-3839
FAX (800) 653-3839
<http://www.detex.com>
USA Sales:
marketing@detex.com
International Sales:
export@detex.com

Cancer & Reproductive Harm - www.detex.com/prop65

EasyKit® DEx10EEX

Delayed Egress Without Electromagnetic Lock

The DE EasyKits provide a secure system with 15-second delay and 100dB alarm when someone attempts to exit. The DE EasyKit is ideal for retail stores, healthcare, assisted-living facilities, childcare, sports arenas and any location where a special locking delayed exit is required to prevent theft or to protect those trying to exit.



(Shown with 10 Series Rim Exit Device - Available with 10/40 Rim, 30 Mortise and 20/21/50/51 Surface Vertical Rod Devices)

Benefits

- Best-in-class components provide for fast, easy installation
- All hardware items provided with one easy-to-order, easy-to-specify part number
- Controls foot traffic, deters unauthorized exits, reduces employee and customer theft while providing a life safety, code-compliant application
- Key switch with LED's and horn are mounted on the wall, protecting the electronics from swinging into the weather

Features

- Configured Delayed Egress EasyKit includes all hardware, instructions, riser illustration and point-to-point wiring diagram
- Factory-programmed, pre-wired delayed egress controller / power supply
- Advantex panic device has stainless steel deadlocking Pullman-type latch bolt
- Remote bypass and signaling options available
- 10 ft. flex conduit loop
- Form C, momentary key switch with green and red LEDs, arms, disarms and resets system
- Code-compliant delayed egress signage
- All hardware is non-handed or reversible
- Fire Alarm override connected at controller / power supply
- Heavy-duty angled end cap deflects damage away from panic device
- Available in various configurations, for single and paired openings
- Easily add various access control options with or without an anti-tailgating option
- System does not require magnetic lock, panic provides delayed exit
- 100dB Alarm

Mechanical Options

- F - 3-Hour Fire Rated
- H - Hurricane Rated
- CD - Cylinder Dogging
- LD - Less Dogging
- HD - Hex Dogging
- 36 - Fits 36" Door Width (Std.)
- 48 - Fits 48" Door Width
- 99 - Surface Strike
- 98 - Semi Mortise Strike

Electrical Options

- 1 to 3 second adjustable nuisance alarm
- 120 Volt in/24 Volt out (Std.)
- Also available 277 Volt and 240 Volt

Accessories

- SN1 – Sex Nut Fasteners
- SSK - Torx Security Screw Kit
- GB - Glass Bead Kits

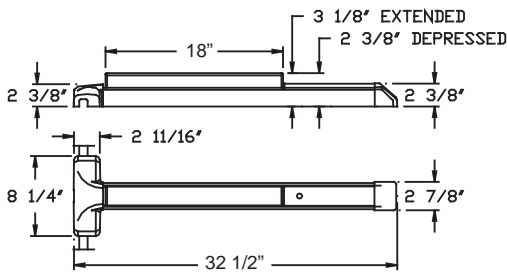
Technical Information

- Door Types - Wood, Hollow Metal, Fiberglass or Aluminum
- Minimum Stile - Advantex 10 Series: 4-5/8" with surface strike or 4-1/8" with optional semi-mortise strike
- Minimum Stile - Advantex 40, 50 Series: 2" with standard semi-mortise strike or 2-1/2" with optional surface strike

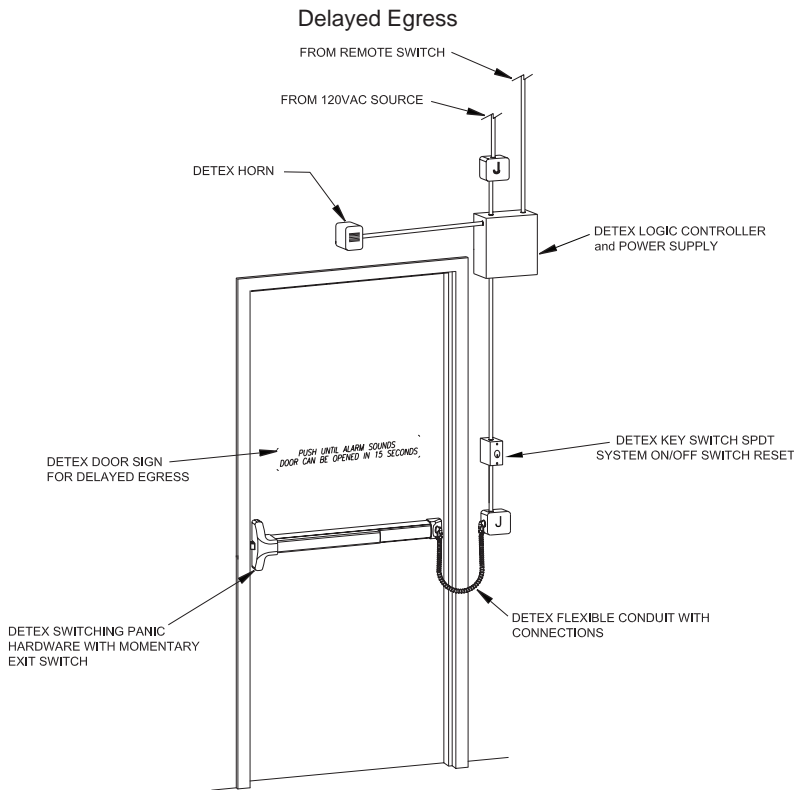
Finishes

605 / US3	Polished Brass	612 / US10	Brushed Bronze	629 / US32	Polished Stainless Steel
606 / US4	Brushed Brass	613 / US10B	Oil Rubbed Bronze	630 / US32D	Brushed Stainless Steel
611 / US9	Polished Bronze				

Dimensions (10 Series Shown)



Riser Diagram



Listings and Approvals Advantex

- UL Listed Panic Hardware
- UL Listed Fire Exit Hardware for 3 hours, maximum
- UL Listed for 4'x10' single doors and pairs of 4'x8' with F90KR key removable Mullion
- Meets ADA requirements
- UBC 97, Standard 7-2 and UL10C for positive pressure
- ANSI/BHMA certified A156.3
- Meets NFPA 80 & 101 for Life Safety
- Miami-Dade County, Florida NOA 10-0303.02 EXP. 04/07/15 } 10/40 Series Only
- State of Florida Approval FL9052
- California State Fire Marshall - 4140-0127-105 and 3725-0127-108

Detex Limited Warranty
Advantex - 10 Year Mechanical /
3 Year Electrical Manufacturers
Limited Warranty



Detex Corporation
 302 Detex Drive
 New Braunfels, Texas 78130-3045 USA
 PH. (830) 629-2900
 (800) 729-3839
 FAX (800) 653-3839
<http://www.detex.com>
 USA Sales:
marketing@detex.com
 International Sales:
export@detex.com

Cancer & Reproductive Harm - www.detex.com/prop65

EasyKit® WDEx10EX

Weatherized Delayed Egress With Electromagnetic Lock

The WDE EasyKits provide a secure 2-point locking system with 15-second delay and 100dB alarm when someone attempts to exit. The WDE EasyKit is perfect for garden center gates, amusement parks, sports arenas and any location exposed to weather or moisture where delayed exit is required. Although ideal in helping prevent theft, in applications such as outdoor childcare and assisted living homes, WDE EasyKit can also be used to help protect those trying to exit.



Shown with 10 Series Rim Exit Device - Available with 10/40 Rim (For Mortise and Vertical Rod Applications contact factory)

Benefits

- Best-in-class components provide for fast, easy installation
- All hardware items provided with one easy-to-order, easy-to-specify part number
- Immersion-proof switching and corrosion resistant components provide years of trouble-free service
- Controls foot traffic, deters unauthorized exits, reduces employee and customer theft while providing a life safety, code compliant application

Features

- Configured Weatherized Delayed Egress EasyKit includes all hardware, instructions, riser illustration and point-to-point wiring diagram
- Factory-programmed, pre-wired, delayed egress controller/power supply
- NEMA 4X enclosure protects controller/power supply from moisture and corrosive elements
- 10 ft. flex conduit loop
- Advantex Weatherized panic device has stainless steel dead locking Pullman-type latch bolt and weatherized switching
- Form C, momentary key switch with green and red LEDs, arms, disarms and resets system
- Outdoor protective key switch cover
- Outdoor horn has various field-adjustable tone and decibel settings. Strobe also available.
- Outdoor, code-compliant delayed egress signage
- All hardware is non-handed
- Fire Alarm override connected at controller/power supply
- Remote bypass and signaling options available
- Heavy-duty angled end cap deflects damage away from panic device
- Available in various configurations, for single and paired openings

Mechanical Options

- F - 3-Hour Fire Rated
- H - Hurricane Rated
- CD - Cylinder Dogging
- HD - Hex Dogging
- LD - Less Dogging (Std.)
- 36 - Fits 36" Door Width (Std.)
- 48 - Fits 48" Door Width
- 99 - Surface Strike (Std.)
- 98 - Semi Mortise Strike

Electrical Options

- 1 to 3 second code-compliant field-adjustable nuisance alarm
- 120V AC (Std.)
- Also available 277V and 240V logic controller/power supply

Accessories

- SN1 – Sex Nut Fasteners
- SSK - Torx Security Screw Kit
- Z bracket spacers for Magnetic Lock(s)
- GB - Glass Bead Kits

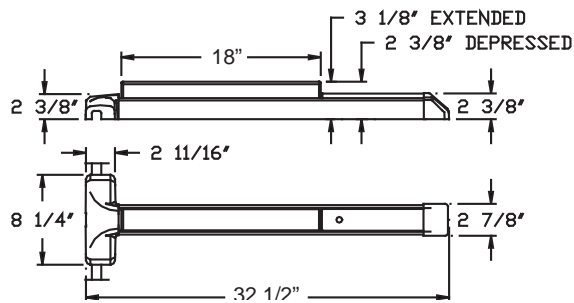
Technical Information

- Door Types - Hollow Metal, Fiberglass or Aluminum
- Gate plate must accommodate panic device, see dimensions
- Gate Types - Gate plate must be at least 32" wide
- Stile - Advantex fits minimum 4-5/8" with 99 strike
- 1/4" maximum for vertical gap between gate and strike post

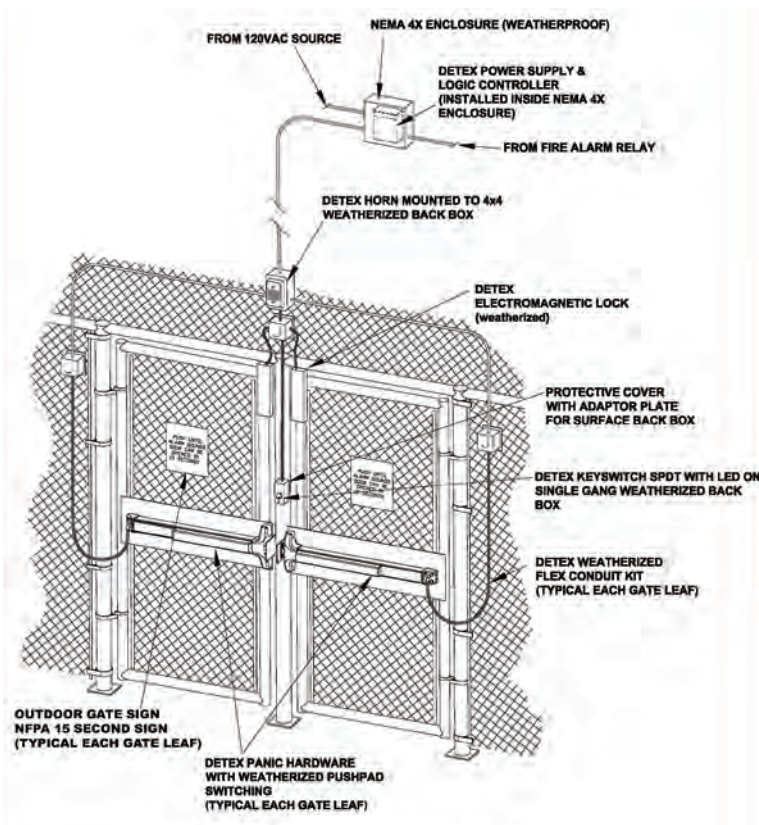
Finishes

605 / US3	Polished Brass	612 / US10	Brushed Bronze	629 / US32	Polished Stainless Steel
606 / US4	Brushed Brass	613 / US10B	Oil Rubbed Bronze	630 / US32D	Brushed Stainless Steel
611 / US9	Polished Bronze				

Dimensions



Riser Diagram



Listings and Approvals Advantex

- UL Listed Panic Hardware
- UL Listed Fire Exit Hardware for 3 hours, maximum
- 4'x10' single doors and pairs of 4'x8' with F90KR key removable Mullion
- Meets ADA requirements
- MIL-STD 810F, Method 506.4 (Driving Rain Test)
- MIL-STD 810F, Method 509.4 (Salt fog Test)
- UBC 97, Standard 7-2 and UL10C for positive pressure
- ANSI/BHMA certified
- Meets NFPA 80 & 101 for Life Safety
- Miami-Dade County, Florida NOA 10-0303.02 EXP 04/07/15 State of Florida Approval FL9052 } 10/40 Series Only
- California State Fire Marshall - 4140-0127-105 & 3725-0127-108

Detex Limited Warranty

Advantex - 10 Year Mechanical / 3 Year Electrical Manufacturers Limited Warranty



Detex Corporation
 302 Detex Drive
 New Braunfels, Texas 78130-3045 USA
 PH. (830) 629-2900
 (800) 729-3839
 FAX (800) 653-3839
 http://www.detex.com
 USA Sales:
 marketing@detex.com
 International Sales:
 export@detex.com

Cancer & Reproductive Harm - www.detex.com/prop65

EasyKit®

WDEx10EEX

Weatherized Delayed Egress Without Electromagnetic Lock

The WDE EasyKits provide a secure outdoor system with 15-second delay and 100dB alarm when someone attempts to exit. The WDE EasyKit is perfect for garden center gates, amusement parks, sports arenas and any location exposed to weather or moisture where delayed exit is required. Although ideal in helping prevent theft, in applications such as outdoor childcare and assisted living homes, WDE EasyKit can also be used to help protect those trying to exit.



Shown with 10 Series Rim Exit Device - Available with 10/40 Rim (For Mortise and Vertical Rod Applications contact factory)

Benefits

- Immersion-proof switching and corrosion resistant components provide years of trouble-free service
- All hardware items provided with one easy-to-order, easy-to-specify part number
- Best-in-class components provide for fast, easy installation
- Advantex weatherized panic device includes internal blocker and switches to provide easy installation without a magnetic lock
- Controls foot traffic, deters unauthorized exits, reduces employee and customer theft while providing a life safety, code compliant application

Features

- Configured Weatherized Delayed Egress EasyKit includes all hardware, instructions, riser illustration and point-to-point wiring diagram
- Factory-programmed, pre-wired, delayed egress controller/power supply
- NEMA 4X enclosure protects controller/power supply from moisture and corrosive elements
- Advantex Weatherized panic device has stainless steel dead-locking Pullman-type latch bolt
- 10 ft. flex conduit loop
- Form C, momentary key switch with green and red LEDs, arms, disarms and resets system
- Outdoor protective key switch cover
- Outdoor horn has various field-adjustable tone and decibel settings. Strobe also available.
- Available in various configurations, for single and paired openings
- Outdoor, code-compliant delayed egress signage
- All hardware is non-handed
- Fire Alarm override connected at controller/power supply
- Remote bypass and signaling options available
- Heavy-duty angled end cap deflects damage away from panic device
- System does not require magnetic lock, panic provides delayed exit

Mechanical Options

- F - 3-Hour Fire Rated
- H - Hurricane Rated
- CD - Cylinder Dogging
- HD - Hex Dogging
- LD - Less Dogging (Std.)
- 36 - Fits 36" Door Width (Std.)
- 48 - Fits 48" Door Width
- 99 - Surface Strike (Std.)
- 98 - Semi Mortise Strike

Electrical Options

- 1 to 3 second code-compliant field-adjustable nuisance alarm
- 120V AC (Std.)
- Also available 277V and 240V logic controller/power supply

Where Trust is Built™
DETEX®
Life Safety, Security and Security Assurance

Accessories

- SN1 – Sex Nut Fasteners
- SSK - Torx Security Screw Kit
- GB - Glass Bead Kits

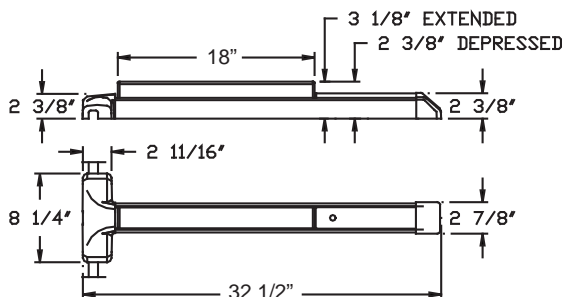
Technical Information

- Door Types - Hollow Metal, Fiberglass or Aluminum
- Gate Types - Gate plate must be at least 32" wide
- Stile - Advantex fits minimum 4-5/8" with 99 strike
- 1/4" maximum for vertical gap between gate and strike post
- Gate plate must accommodate panic device, see dimensions

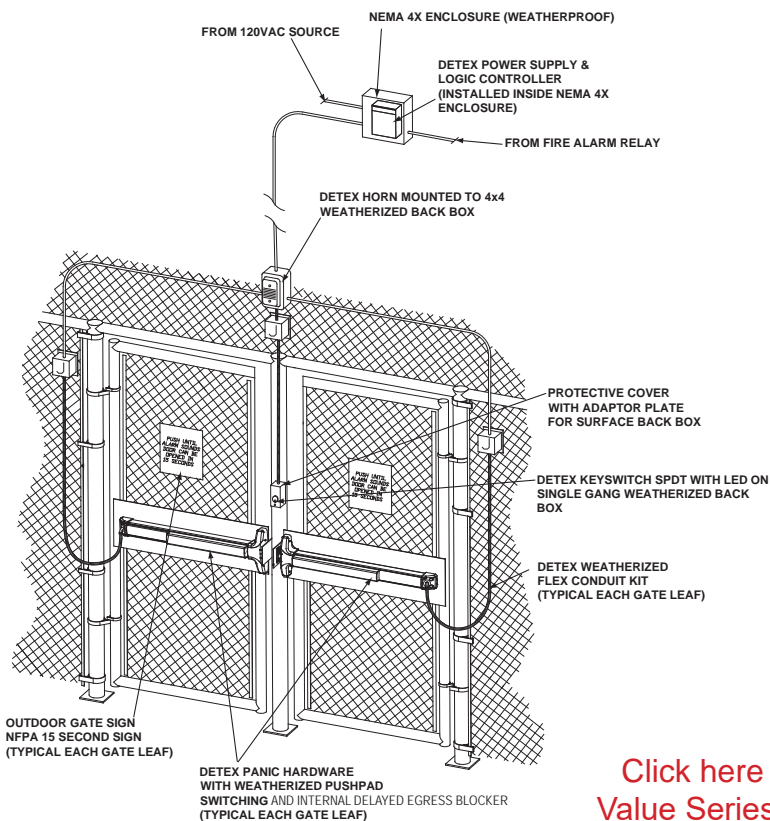
Finishes

605 / US3	Polished Brass	612 / US10	Brushed Bronze	629 / US32	Polished Stainless Steel
606 / US4	Brushed Brass	613 / US10B	Oil Rubbed Bronze	630 / US32D	Brushed Stainless Steel
611 / US9	Polished Bronze				

Dimensions



Riser Diagram



Listings and Approvals Advantex

- UL Listed Panic Hardware
- UL Listed Fire Exit Hardware for 3 hours, maximum 4'x10' single doors and pairs of 4'x8' with F90KR key removable Mullion
- Meets ADA requirements
- MIL-STD 810F, Method 506.4 (Driving Rain Test)
MIL-STD 810F, Method 509.4 (Salt fog Test)
- UBC 97, Standard 7-2 and UL10C for positive pressure
- ANSI/BHMA certified
- Meets NFPA 80 & 101 for Life Safety
- Miami-Dade County, Florida } 10/40 Series
NOA 10-0303.02 EXP. 04/07/15 } Only
State of Florida Approval FL9052
- California State Fire Marshall - 4140-0127:105 & 3725-0127:108

Detex Limited Warranty

Advantex - 10 Year Mechanical / 3 Year Electrical Manufacturers Limited Warranty



Detex Corporation
 302 Detex Drive
 New Braunfels, Texas 78130-3045 USA
 PH. (830) 629-2900
 (800) 729-3839
 FAX (800) 653-3839
 http://www.detex.com
 USA Sales:
 marketing@detex.com
 International Sales:
 export@detex.com

Click here for the Value Series version of this EasyKit

Cancer & Reproductive Harm - www.detex.com/prop65



WDExV40EEX

WDExV50EEX

Weatherized Delayed Egress Without Electromagnetic Lock

The WDE EasyKits provide a secure outdoor system with 15-second delay and 100dB alarm when someone attempts to exit. The WDE EasyKit is perfect for garden center gates, amusement parks, sports arenas and any location exposed to weather or moisture where delayed exit is required. Although ideal in helping prevent theft, in applications such as outdoor childcare and assisted living homes, WDE EasyKit can also be used to help protect those trying to exit.



Logic Controller/
Power Supply



Value Series Weatherized
Rim Exit Device



Exterior
Horn



Key
Switch
with
Exterior Cover

Also Includes:
NEMA 4X Enclosure,
Mortise Cylinder,
Code compliant
Outdoor Sign
and
Surface Armored
Cable Loop
(not shown)
Riser Illustration
Wiring Diagram

Shown with V40 Rim Exit Device (Also available with V50 Surface Vertical Rod Exit Device)

Benefits

- Immersion-proof switching and corrosion resistant components provide years of trouble-free service
- All hardware items provided with one easy-to-order, easy-to-specify part number
- Best-in-class components provide for fast, easy installation
- Value Series weatherized panic device includes internal blocker and switches to provide easy installation without a magnetic lock
- Controls foot traffic, deters unauthorized exits, reduces employee and customer theft while providing a life safety, code compliant application

Features

- Configured Weatherized Delayed Egress EasyKit includes all hardware, instructions, riser illustration and point-to-point wiring diagram
- Factory-programmed, pre-wired, delayed egress controller/power supply
- Available in various configurations, for single and paired openings
- Value Series weatherized panic device has stainless steel dead-locking Pullman-type latch bolt
- 10 ft. flex conduit loop
- Form C, momentary key switch with green and red LEDs, arms, disarms and resets system
- Outdoor protective key switch cover
- Outdoor horn has various field-adjustable tone and decibel settings. Strobe also available.
- NEMA 4X enclosure protects controller/power supply from moisture and corrosive elements
- Outdoor, code-compliant delayed egress signage
- All hardware is non-handed
- Fire Alarm override connected at controller/power supply
- Remote bypass and signaling options available
- Angled end cap deflects damage away from panic device
- System does not require magnetic lock, panic provides delayed exit

Mechanical Options

- F - 3-Hour Fire Rated
- H - Hurricane Rated
- CD - Cylinder Dogging
- HD - Hex Dogging
- LD - Less Dogging (Std.)
- 36 - Fits 36" Door Width (Std.)
- 48 - Fits 48" Door Width
- 99 - Surface Strike (Std.)
- 98 - Semi Mortise Strike
- Available with 628 Base Rail Extrusion (Std.)
- Available with 711 Base Rail Extrusion

Electrical Options

- 1 to 3 second code-compliant field-adjustable nuisance alarm
- 120V AC (Std.)
- Also available 277V and 240V logic controller/power supply



Accessories

• SN1 – Sex Nut Fasteners

• SSK - Torx Security Screw Kit

• GB - Glass Bead Kits

Technical Information

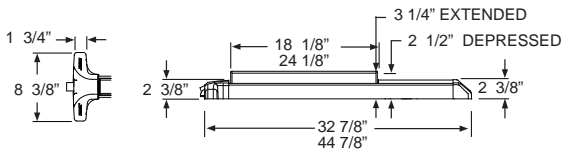
• Door Types - Hollow Metal, Fiberglass or Aluminum

• 1/4" maximum for vertical gap between gate and strike post

• Gate plate must accommodate panic device, see dimensions

• Gate Types - Gate plate must be at least 32" wide

Dimensions

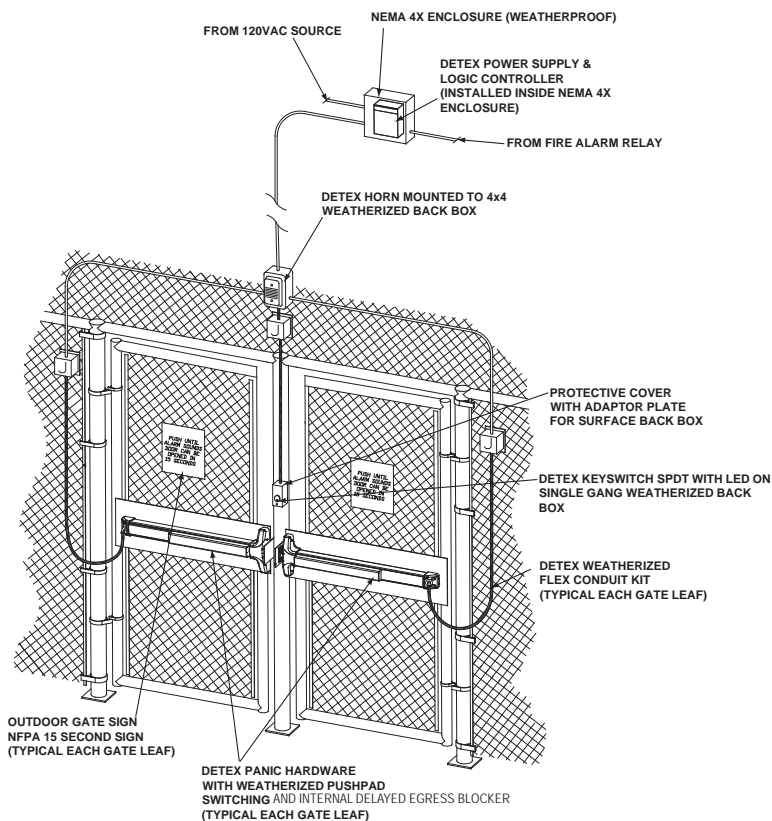


18 1/8" & 32 7/8"
device dimensions for 36" door

24 1/8" & 44 7/8"
device dimensions for 48" door

Add 2" for NS

Riser Diagram



Listings and Approvals Value Series



UL Listed Panic Hardware



UL Listed Fire Exit Hardware for 3 hours, maximum 4'x10' single doors and pairs of 4'x8' with F90KR keyed removable mullion
UL Listed Controlled Exit Device (FULA)

UL Listed Special Locking Arrangements (FWAX)



Meets ADA requirements



ANSI/BHMA certified A156.3



ULC 97, Standard 7-2 and UL 10B/UL 10C for positive pressure



Meets NFPA 80 & 101 for Life Safety



State of Florida Approval



Texas Department of Insurance



California State Fire Marshall

Detex Limited Warranty

Value Series - 10 Year Mechanical / 3 Year Electrical Manufacturers Limited Warranty

Where Trust is Built™

DETEX[®]
Life Safety, Security and Security Assurance

Detex Corporation
302 Detex Drive
New Braunfels, Texas 78130-3045 USA

PH. (830) 629-2900

(800) 729-3839

FAX (800) 653-3839

http://www.detex.com

USA Sales:

marketing@detex.com

International Sales:

export@detex.com



Cancer & Reproductive Harm - www.detex.com/prop65



EDx10 EDx20/21 EDx30 EDx40 EDx50/51

Electric Dogging

The Electric Dogging EasyKits are designed for entrance and exit doors that require panic or fire exit hardware. When energized, and after the pushpad is depressed, the pushpad and the latch bolt remain retracted, providing push-pull operation. Relocking all devices is accomplished by using a single switch or through a fire alarm input. All components required for this installation are included in one easy-to-order kit.



Power Supply
(90-800 Shown)



Electric Dogging Exit Device
(10 Series Shown)

Also Included:

Outside Trim (Call
Factory for Options)

Wiring Diagram

(Shown on 10 Series Rim Exit Device - Available with 10/40 Rim, 30 Mortise, 20/21/50/51 Surface Vertical Rod, and 60/61/62/63/70/71/80/81/82/83 Concealed Vertical Rod Devices)

Benefits

- Best-in-class components provide for fast, easy installation
- All components included in one, easy-to-specify part number
- Great for locking down large campuses, using a single switch

Features

- Configured Electric Dogging EasyKit includes all hardware, instructions, riser illustration and point-to-point wiring diagram
- Advantex panic device has stainless steel deadlocking Pullman-type latch bolt
- Heavy-duty angled end cap deflects damage away from panic device
- Exit hardware (10/40) is non-handed or reversible
- Available in various configurations, for single or paired openings

Mechanical Options

- F - 3-Hour Fire Rated exit device
- 36 - Fits 36" door width (Std.)
- 99 - Surface strike (Std.)
- 48 - Fits 48" door width
- 98 - Semi mortise strike

Accessories

- SN1 - Sex Nut Fasteners
- Various configurable cylinder trims, pulls and levers (Call factory for specific details)
- GB# - Glass Bead Kits

Electrical Options

- 90-800 Power Supply - 24VDC filtered, regulated with fire loop connection
- Request to Exit (EX)
- PP-5152-2 24VAC Transformer

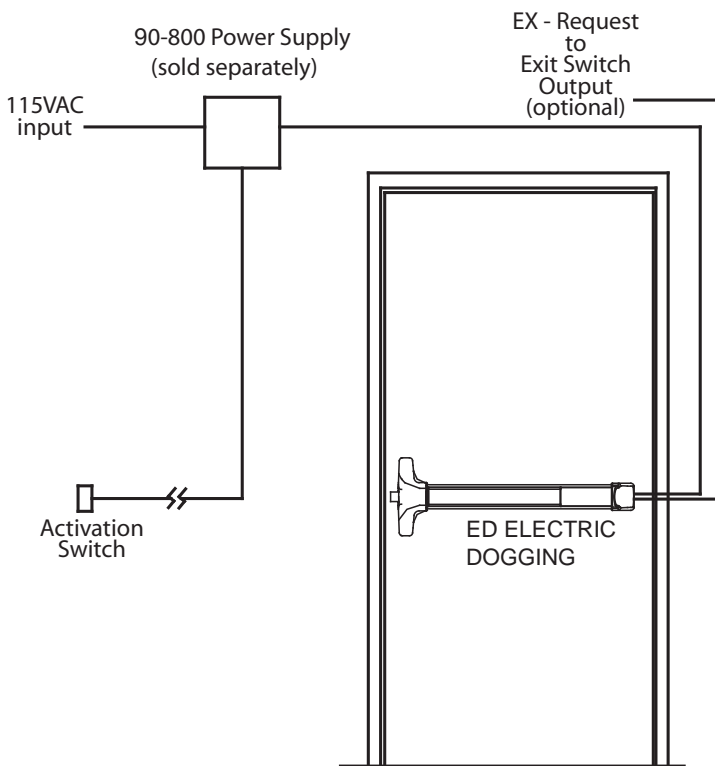
Technical Information

- Door Types - Wood, Hollow Metal, Fiberglass or Aluminum
- Door Stile - Fits Minimum 4-5/8" with 99 strike (Std.)
- Machine and Sheet Metal Screws (Std.)
- Door Thickness - Fits standard 1-3/4" - 2-1/4" (for other door thicknesses, contact factory)
- Door Stile - Fits Minimum 4-1/8" with 98 strike
- Rail is heavy ribbed aluminum extrusion

Finishes (Advantex)

- 605 / US3 - Polished Brass
- 612 / US10 - Brushed Bronze
- 629 / US32 - Polished Stainless Steel
- 606 / US4 - Brushed Brass
- 613 / US10B - Oil Rubbed Bronze
- 630 / US32D - Brushed Stainless Steel
- 611 / US9 - Polished Bronze

Riser Diagram



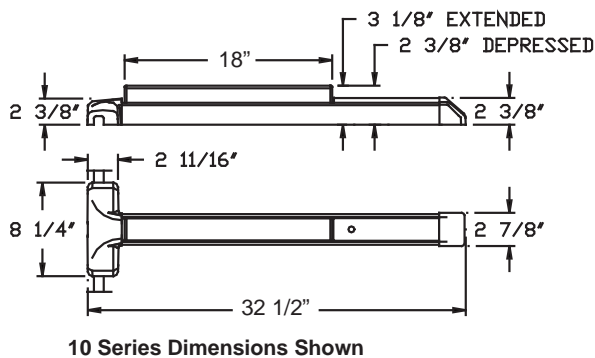
Listings and Approvals

See individual Series (i.e. 10 Series) information for listings and approvals

Detex Limited Warranty

Advantex - 10 Year Mechanical / 3 Year Electrical Manufacturers Limited Warranty

Dimensions



Where Trust is Built™

DETEx®

Life Safety, Security and Security Assurance

Detex Corporation
 302 Detex Drive
 New Braunfels, Texas 78130-3045 USA
 PH. (830) 629-2900
 (800) 729-3839
 FAX (800) 653-3839
<http://www.detex.com>
 USA Sales:
marketing@detex.com
 International Sales:
export@detex.com

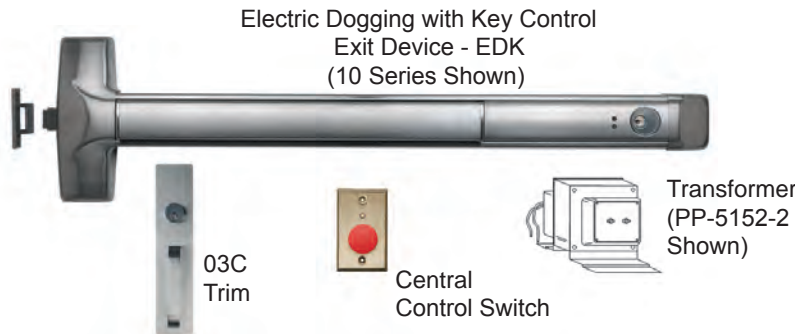
⚠ Cancer & Reproductive Harm - www.detex.com/prop65



EDKx10 EDKx20/21 EDKx30 EDKx40 EDKx50/51

Electric Dogging for Lockdown

The Electric Dogging EasyKits are designed for any door in any type of building where imminent danger to occupants requires immediate and simultaneous locking of multiple doors within the facility. When energized, and after the pushpad is depressed, the pushpad and the latch bolt remain retracted, providing push-pull operation. On-board key switch provides complete control of each device to key-holder. Immediate relocking of all devices is accomplished by using an external single switch or through a fire alarm input. LEDs offer visual indications of system status. All components required for this installation are included in one easy-to-order kit. For facilities with multiple doors, additional kits, without the central control switch, can be ordered.



Also Included:

Outside Trim (Call Factory for Options)

Wiring Diagram

(Shown on 10 Series Rim Exit Device - Available with 10/40 Rim, 30 Mortise and 20/21/50/51 Surface Vertical Rod Devices)

Benefits

- Best-in-class components provide for fast, easy installation
- Red and Green LED's provide line-of-sight status indication
- Great for locking down large campuses, using a single switch
- On board key switch provides easy on-off switching for individual door control
- All components included in one, easy-to-specify part number

Features

- Configured Electric Dogging EasyKit includes all hardware, instructions, riser illustration and point-to-point wiring diagram
- Advantex panic device has stainless steel deadlocking Pullman- type latch bolt
- Heavy-duty angled end cap deflects damage away from panic device
- Exit hardware (10/40) is non-handed or reversible
- Available in various configurations, for single or paired openings

Mechanical Options

- F - 3-Hour Fire Rated exit device
- 36 - Fits 36" door width (Std.)
- 99 - Surface strike (Std.)
- 48 - Fits 48" door width
- 98 - Semi mortise strike

Accessories

- SN1 - Sex Nut Fasteners
- Various configurable cylinder trims, pulls and levers (Call factory for specific details)
- GB# - Glass Bead Kits

Electrical Options

- Request to Exit (EX)
- 90-800 Power Supply - 24VDC filtered, regulated with fire loop connection
- ED without key control can be ordered for doors that do not require individual control
- PP-5152-2 24VAC Transformer

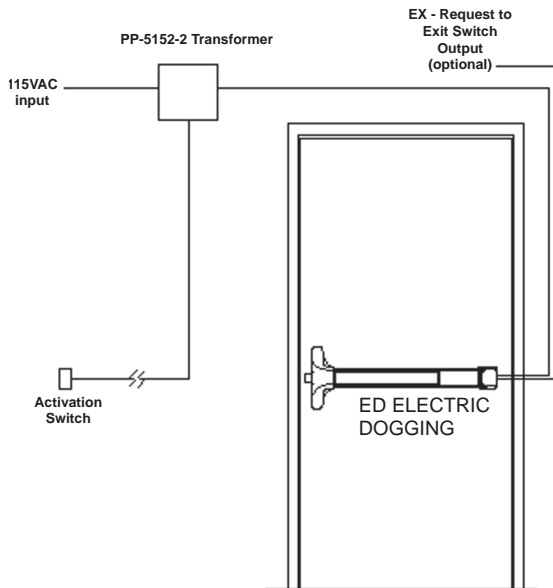
Technical Information

- Door Types - Wood, Hollow Metal, Fiberglass or Aluminum
- Door Stile - Fits Minimum 4-5/8" with 99 strike (Std.)
- Machine and Sheet Metal Screws (Std.)
- Door Thickness - Fits standard 1-3/4" - 2-1/4" (for other door thicknesses, contact factory)
- Door Stile - Fits Minimum 4-1/8" with 98 strike
- Rail is heavy ribbed aluminum extrusion

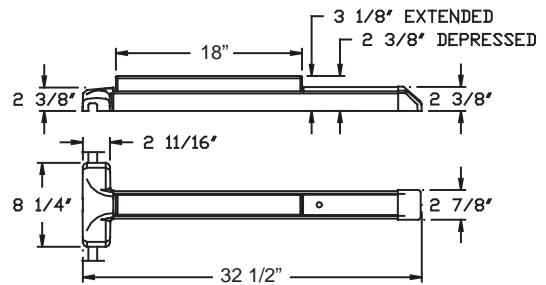
Finishes (Advantex)

- 605 / US3 - Polished Brass
- 612 / US10 - Brushed Bronze
- 629 / US32 - Polished Stainless Steel
- 606 / US4 - Brushed Brass
- 613 / US10B - Oil Rubbed Bronze
- 630 / US32D - Brushed Stainless Steel
- 611 / US9 - Polished Bronze

Riser Diagram



Dimensions



10 Series Dimensions Shown

Detex Limited Warranty

Advantex - 10 Year Mechanical / 3 Year Electrical Manufacturers Limited Warranty

Listings and Approvals (on 10 and 40 Series Devices)

- UL Listed Panic Hardware
- UL Listed Fire Exit Hardware for 3 hours, maximum
- 4'x10' single doors and pairs of 4'x8' with F90KR key removable Mullion
- Meets ADA requirements
- UBC 97, Standard 7-2 and UL10C for positive pressure
- ANSI/BHMA certified A156.3
- Meets NFPA 80 & 101 for Life Safety
- Miami-Dade County, Florida NOA 10-0303.02 EXP. 04/07/15
- State of Florida Approval FL9052
- California State Fire Marshall - 4140-0127:105 and 3725-0127:108

Listings and Approvals (on 20/21/50/51 Series Devices)

- UL Listed Panic Hardware
- UL Listed Fire Exit Hardware for 3 hours, maximum
- 4'x10' single doors and 8'x10' pairs of doors
- Meets ADA requirements
- UBC 97, Standard 7-2 and UL10C for positive pressure
- ANSI/BHMA certified A156.3
- Meets NFPA 80 & 101 for Life Safety
- California State Fire Marshall - 4140-0127:105 & 3725-0127:108

Where Trust is Built™
DETEx®
Life Safety, Security and Security Assurance

Detex Corporation
 302 Detex Drive
 New Braunfels, Texas 78130-3045 USA
 PH. (830) 629-2900
 (800) 729-3839
 FAX (800) 653-3839
 http://www.detex.com
 USA Sales:
 marketing@detex.com
 International Sales:
 export@detex.com

Cancer & Reproductive Harm - www.detex.com/prop65

EasyKit®

AODx10ER AODx30ER AODx40ER

Automatically Operated Doors

The AOD EasyKits provide a pre-wired Automatic Operated Door system. Ideal ADA access at healthcare facilities, assisted living homes, main public entrances, places of worship, convention centers, sports arenas and any location requiring low energy, automatic operated doors with an exit device. The AOD EasyKit includes the Advantex Latch Retraction exit device, and the AO19 low-energy door operator, with a built-in, pre-wired power supply.



Contact factory to design the EasyKit for your special application

Shown with 10 Series Rim Exit Device - Available with 10/40 Rim, 30 Mortise, 20/21/50/51 Surface Vertical Rod Devices and 60/61/62/63/70/71/80/81/82/83 Concealed Vertical Rod Devices

Also Available: AOD EasyKit With EExER Delayed Egress with Latch Retraction

Benefits

- Automatic Operator is pre-wired with the latch retraction power supply, making installation fast and easy
- Best-in-class components provide years of trouble-free operation
- The reliable AO19 offers all the features you expect in an automatic door operator at no extra cost
- Turnkey, complete with everything needed, without a complicated installation job
- All hardware items, plus riser and wiring diagrams provided with one easy-to-order, easy-to-specify part number

Features

- AO19 includes adjustable time delay, push-and-go reverse on obstruction and sequencing for vestibule doors
- Heavy-duty angled end cap deflects damage away from device
- Available in various configurations, for single and paired openings
- Easily add various access control options with or without an anti-tailgating option

Mechanical Options

- AO19 available Left Hand (LH), Right Hand (RH), Push or Pull, Aluminum (AL) or Dark Bronze (BZ)
- EasyKits available with various rim, mortise, surface vertical and concealed vertical rod devices to fit various single, pairs and double egress applications
- 48 - Fits 48" Door Width
- F - 3-Hour Fire Rated
- 36 - Fits 36" Door Width (Std.)

Electrical Options

- 12 Volt in / 24 Volt out (Std.)
- Also available: EExER delayed egress with latch retraction

Accessories

- SN1 – Sex Nut Fasteners
- GB# - Glass Bead Kits

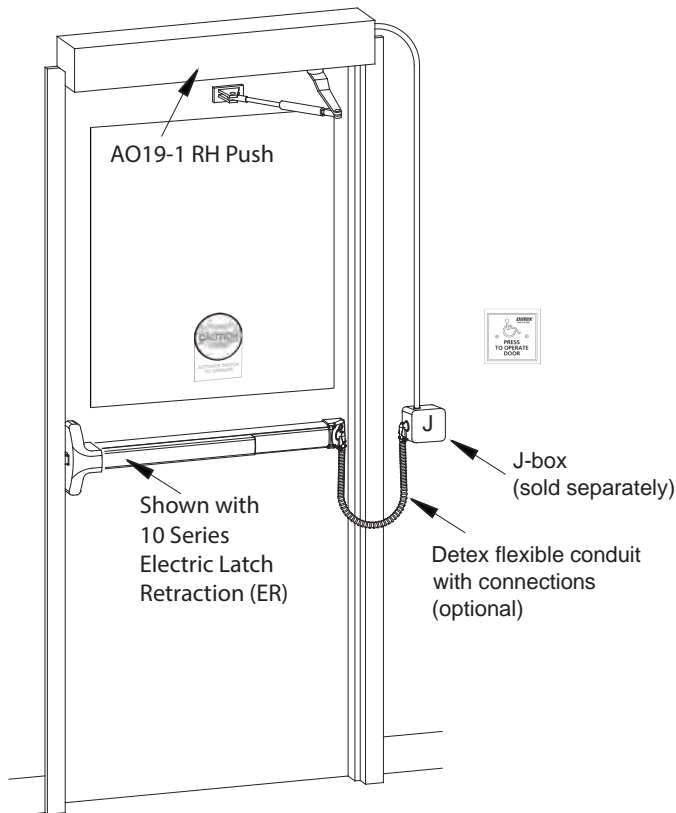
Technical Information

- Door Types - Wood, Hollow Metal, Fiberglass or Aluminum
- Minimum Stile - Advantex 10, 20 Series: 4-5/8" with surface strike or 4-1/8" with optional semi-mortise strike
- Minimum Stile - Advantex 40, 50 Series: 2" with standard semi-mortise strike or 2-1/2" with optional surface strike
- Minimum Stile - Advantex 60, 61, 62, 63 Series: 2"
- Minimum Stile - Advantex 70, 71 Series: 4 1/2"
- Minimum Stile - Advantex 80, 81, 82, 83 Series: 4 1/2"

Finishes (Advantex Products Only)

605 / US3	Polished Brass	612 / US10	Brushed Bronze	629 / US32	Polished Stainless Steel
606 / US4	Brushed Brass	613 / US10B	Oil Rubbed Bronze	630 / US32D	Brushed Stainless Steel
611 / US9	Polished Bronze				

Riser Diagram



Listings and Approvals (AO19)



Certified to ANSI/UL 325-2006
Tested - ANSI 156.10 and 156.19



Meets ADA requirements



Certified to CAN/CSA 247-92



3-Hour Fire Listed

Detex Limited Warranty

Advantex - 10 Year Mechanical / 3 Year Electrical Manufacturers Limited Warranty

AO19 - 3 Year Mechanical / 1 Year Electrical Limited Manufacturers Warranty

Where Trust is Built™
DETEX®
Life Safety, Security and Security Assurance

Detex Corporation
302 Detex Drive
New Braunfels, Texas 78130-3045 USA
PH. (830) 629-2900
(800) 729-3839
FAX (800) 653-3839
<http://www.detex.com>
USA Sales:
marketing@detex.com
International Sales:
export@detex.com

Cancer & Reproductive Harm - www.detex.com/prop65

EasyKit®

AODx20/21ER AODx50/51ER AODx60/61/62/63ER AODx70/71ER AODx80/81/82/83ER

Automatically Operated Doors

The AOD EasyKits provide a pre-wired Automatic Operated Door system. Ideal ADA access at healthcare facilities, assisted living homes, main public entrances, places of worship, convention centers, sports arenas and any location requiring low energy, automatic operated doors with an exit device. The AOD EasyKit includes the Advantex Latch Retraction exit device, and the AO19 low-energy door operator, with a built-in, pre-wired power supply.



Contact factory to design the EasyKit for your special application

Available with 10/40 Rim, 30 Mortise, 20/21/50/51 Surface Vertical Rod Devices and 60/61/62/63/70/71/80/81/82/83 Concealed Vertical Rod Devices

Also Available: AOD EasyKit With EExER Delayed Egress with Latch Retraction

Benefits

- Automatic Operator is pre-wired with the latch retraction power supply, making installation fast and easy
- Best-in-class components provide years of trouble-free operation
- The reliable AO19 offers all the features you expect in an automatic door operator at no extra cost
- Turnkey, complete with everything needed, without a complicated installation job
- All hardware items, plus riser and wiring diagrams provided with one easy-to-order, easy-to-specify part number

Features

- AO19 includes adjustable time delay, push-and-go reverse on obstruction and sequencing for vestibule doors
- Heavy-duty angled end cap deflects damage away from device
- Available in various configurations, for single and paired openings
- Easily add various access control options with or without an anti-tailgating option

Mechanical Options

- AO19 available Left Hand (LH), Right Hand (RH), Push or Pull, Aluminum (AL) or Dark Bronze (BZ)
- EasyKits available with various rim, mortise, surface vertical and concealed vertical rod devices to fit various single, pairs and double egress applications
- 36 - Fits 36" Door Width (Std.)
- 48 - Fits 48" Door Width
- F - 3-Hour Fire Rated

Electrical Options

- 12 Volt in / 24 Volt out (Std.)
- Also available: EExER delayed egress with latch retraction

Accessories

- SN1 – Sex Nut Fasteners
- GB# - Glass Bead Kits

Technical Information

- Door Types - Wood, Hollow Metal, Fiberglass or Aluminum
- Minimum Stile - Advantex 20, 21 Series: 4-5/8" with surface strike or 4-1/8" with optional semi-mortise strike
- Minimum Stile - Advantex 50, 51 Series: 2" with standard semi-mortise strike or 2-1/2" with optional surface strike
- Minimum Stile - Advantex 60, 61, 62, 63 Series: 2"
- Minimum Stile - Advantex 70, 71, 80, 81, 82, 83 Series: 4 1/2"

Finishes (Advantex Products Only)

605 / US3	Polished Brass	613 / US10B	Oil Rubbed Bronze
606 / US4	Brushed Brass	629 / US32	Polished Stainless Steel
611 / US9	Polished Bronze	630 / US32D	Brushed Stainless Steel
612 / US10	Brushed Bronze		

Listings and Approvals (AO19)



Certified to ANSI/UL 325-2006
Tested - ANSI 156.10 and 156.19



Meets ADA requirements

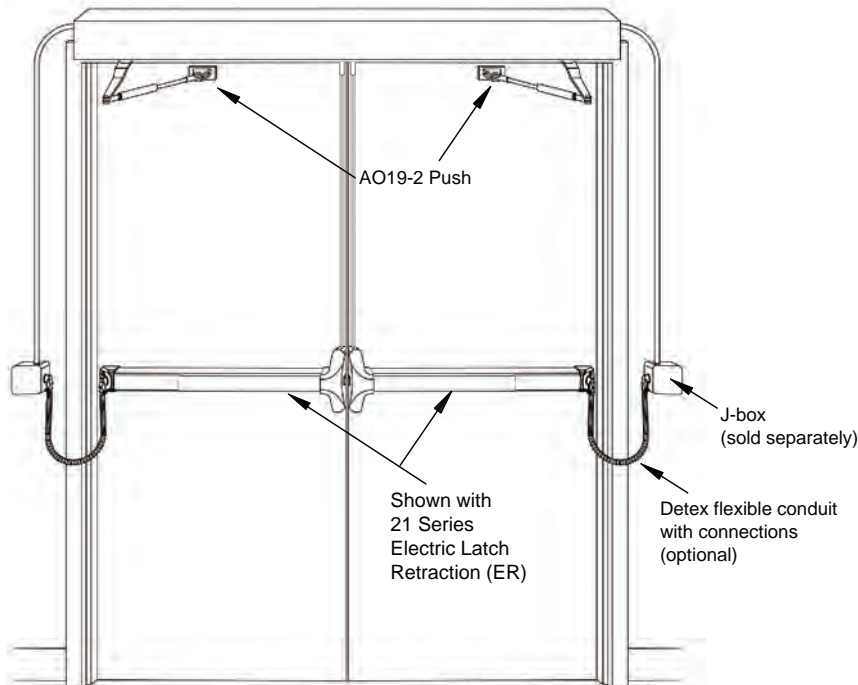


Certified to CAN/CSA 247-92



3-Hour Fire Listed

Riser Diagram



Detex Limited Warranty

Advantex - 10 Year Mechanical / 3 Year Electrical Manufacturers Limited Warranty

AO19 - 3 Year Mechanical / 1 Year Electrical Limited Manufacturers Warranty

Where Trust is Built™
DETEx®
Life Safety, Security and Security Assurance

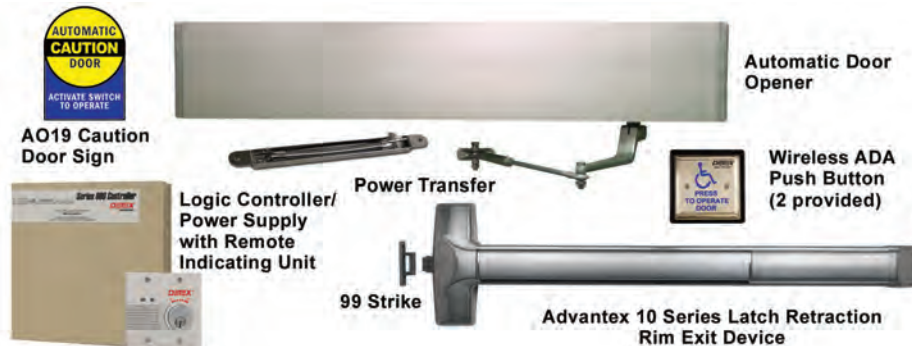
Detex Corporation
302 Detex Drive
New Braunfels, Texas 78130-3045 USA
PH. (830) 629-2900
(800) 729-3839
FAX (800) 653-3839
<http://www.detex.com>
USA Sales:
marketing@detex.com
International Sales:
export@detex.com

Cancer & Reproductive Harm - www.detex.com/prop65



AODx10xEExERx1S AODx30xEExERx1S AODx40xEExERx1S Automatically Operated Doors

Ideal where controlling exit and access control are required along with an automatic operator. Applications include healthcare facilities, assisted living homes, transportation hubs, convention centers, sports arenas and any location requiring low energy, automatically operated doors with access control, and delayed egress exit devices. The AOD EasyKit includes the Advantex Delayed Egress with Latch Retraction exit device, the AO19 low-energy door operator, and a logic controller / power supply.



Contact Detex technical support to design the EasyKit for your special application
800-729-3839, press 2

Available with 10/40 Rim, 30 Mortise, 20/21/50/51 Surface Vertical Rod Devices and 60/61/62/63/70/71/80/81/82/83 Concealed Vertical Rod Devices

Also Available: AOD EasyKit With ER Latch Retraction

Benefits

- Best-in-class components provide years of trouble-free operation
- Turnkey, complete with everything needed, without a complicated installation job
- The reliable AO19 offers all the features you expect in an automatic door operator at no extra cost
- Super heavy duty, easy to install, full line exit device provides years of service
- All hardware items, plus riser and wiring diagrams provided with one easy-to-order, easy-to-specify part number

Features

- AO19 includes adjustable time delay, push-and-go reverse on obstruction and sequencing for vestibule doors
- Heavy-duty angled end cap deflects damage away from device
- Available in various configurations, for single and paired openings
- Easily add various access control options with or without an anti-tailgating option

Mechanical Options

- Configure AO19 available Left Hand (LH), Right Hand (RH), Push or Pull, Aluminum (AL) or Dark Bronze (BZ), size
- Configure Advantex available with various rim, mortise, surface vertical and concealed vertical rod devices to fit various single, pairs and double egress applications (Finish, trim, size, etc.)
- F - 3-Hour Fire Rated

Electrical Options

- Also available: ER latch retraction
- 120 Volts for AO19 automatic operator
- EE (delayed egress): 24VDC draws less than .25A
- ER (latch retraction): 24VDC draws 1.8A for 1/3 second to pull latch back then draws less than .25A to keep latch retracted



Other Options

- SN1 – Sex Nut Fasteners
- Power transfers
- GB# - Glass Bead Kits
- Activation
- Cylinders

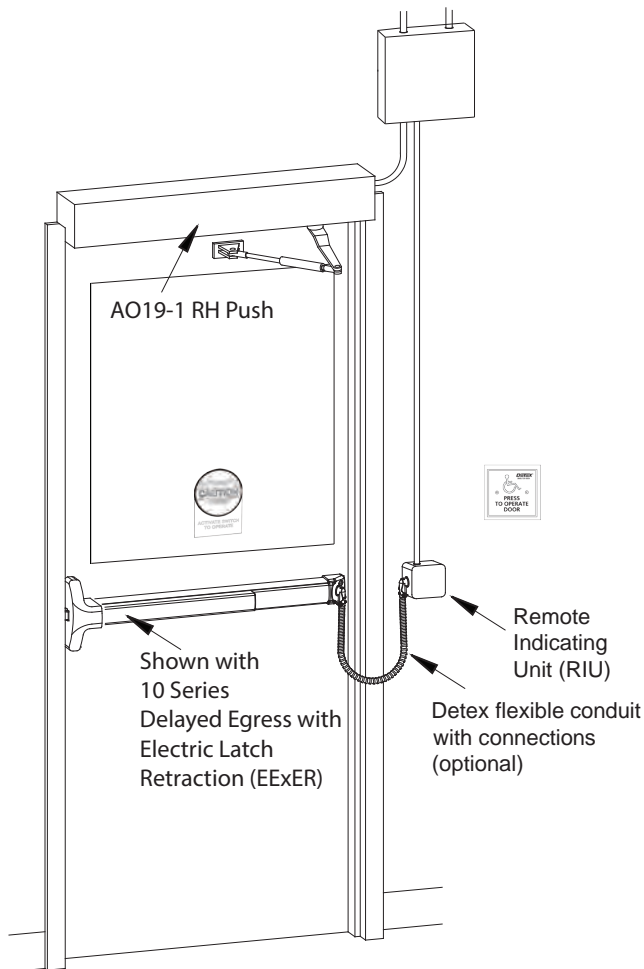
Technical Information

- Door Types - Wood, Hollow Metal, Fiberglass or Aluminum
- Minimum Stile - Advantex 10, 20 Series: 4-5/8" with surface strike or 4-1/8" with optional semi-mortise strike
- Minimum Stile - Advantex 40, 50 Series: 2" with standard semi-mortise strike or 2-1/2" with optional surface strike
- Minimum Stile - Advantex 60, 61, 62, 63 Series: 2"
- Minimum Stile - Advantex 70, 71 Series: 4 1/2"
- Minimum Stile - Advantex 80, 81, 82, 83 Series: 4 1/2"

Finishes (Advantex Products Only)

605 / US3	Polished Brass	613 / US10B	Oil Rubbed Bronze
606 / US4	Brushed Brass	629 / US32	Polished Stainless Steel
611 / US9	Polished Bronze	630 / US32D	Brushed Stainless Steel
612 / US10	Brushed Bronze		

Riser Diagram



Listings and Approvals (AO19)



Certified to ANSI/UL 325-2006 Tested - ANSI 156.10 and 156.19



Meets ADA requirements



Certified to CAN/CSA 247-92



3-Hour Fire Listed

Detex Limited Warranty

Advantex - 10 Year Mechanical / 3 Year Electrical Manufacturers Limited Warranty

AO19 - 3 Year Mechanical / 1 Year Electrical Limited Manufacturers Warranty



Detex Corporation
 302 Detex Drive
 New Braunfels, Texas 78130-3045 USA
 PH. (830) 629-2900
 (800) 729-3839
 FAX (800) 653-3839
 http://www.detex.com
 USA Sales:
 marketing@detex.com
 International Sales:
 export@detex.com

Cancer & Reproductive Harm - www.detex.com/prop65

EasyKit®

**AODx20/21EEERx1P AODx50/51EEERx1P AODx60/61/62/63EEERx1P
AODx70/71EEERx1P AODx80/81/82/83EEERx1P**

Automatically Operated Doors

The AOD EasyKits provide a pre-wired Automatic Operated Door system. Ideal where controlling exit and access control are required along with an automatic operator. Applications include healthcare facilities, assisted living homes, transportation hubs, convention centers, sports arenas and any location requiring low energy, automatically operated doors with access control, and delayed egress exit devices. The AOD EasyKit includes the Advantex Delayed Egress with Latch Retraction exit device, the AO19 low-energy door operator, and a logic controller / power supply.



Contact Detex technical support to design the EasyKit for your special application
800-729-3839, press 2

Available with 10/40 Rim, 30 Mortise, 20/21/50/51 Surface Vertical Rod Devices and 60/61/62/63/70/71/80/81/82/83 Concealed Vertical Rod Devices

Also Available: AOD EasyKit With ER Latch Retraction

Benefits

- All hardware items, plus riser and wiring diagrams provided with one easy-to-order, easy-to-specify part number
- The reliable AO19 offers all the features you expect in an automatic door operator at no extra cost
- Super heavy duty, easy to install, full line exit device provides years of service
- Best-in-class components provide years of trouble-free operation

Features

- AO19 includes adjustable time delay, push-and-go reverse on obstruction and sequencing for vestibule doors
- Heavy-duty angled end cap deflects damage away from device
- Available in various configurations, for single and paired openings
- Easily add various access control options with or without an anti-tailgating option

Mechanical Options

- Configure AO19 available Left Hand (LH), Right Hand (RH), Push or Pull, Aluminum (AL) or Dark Bronze (BZ), size
- Configure Advantex available with various rim, mortise, surface vertical and concealed vertical rod devices to fit various single, pairs and double egress applications (Finish, trim, size, etc.)
- F - 3-Hour Fire Rated

Electrical

- Also available: ER latch retraction
- 120 Volts for AO19 automatic operator
- EE (delayed egress): 24VDC draws less than .25A
- ER (latch retraction): 24VDC draws 1.8A for 1/3 second to pull latch back then draws less than .25A to keep latch retracted

Other Options

- SN1 – Sex Nut Fasteners
- GB# - Glass Bead Kits
- Cylinders
- Power Transfers
- Activation

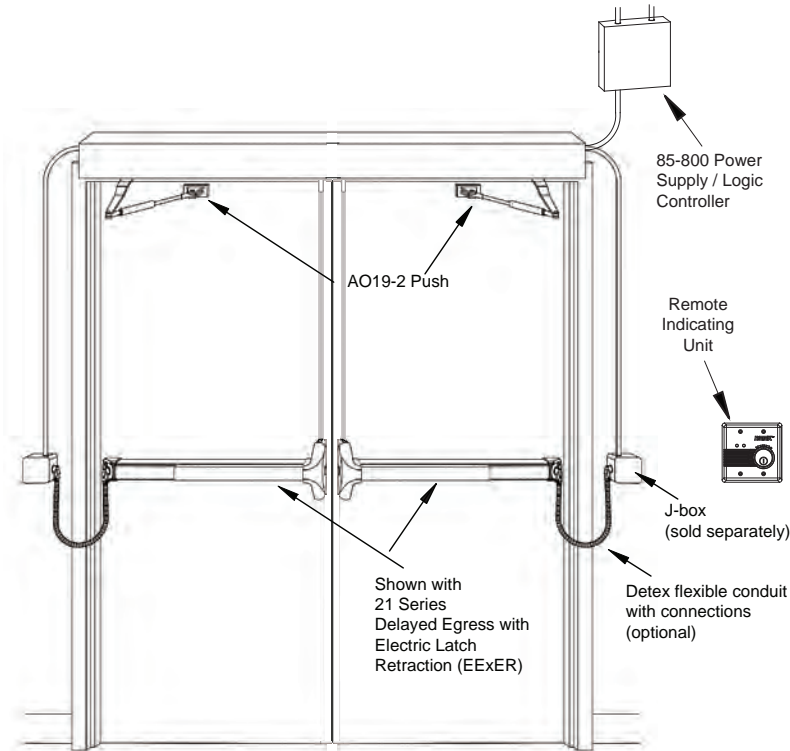
Technical Information

- Door Types - Wood, Hollow Metal, Fiberglass or Aluminum
- Minimum Stile - Advantex 50, 51 Series: 2" with standard semi-mortise strike or 2-1/2" with optional surface strike
- Minimum Stile - Advantex 70, 71, 80, 81, 82, 83 Series: 4 1/2"
- Minimum Stile - Advantex 20, 21 Series: 4-5/8" with surface strike or 4-1/8" with optional semi-mortise strike
- Minimum Stile - Advantex 60, 61, 62, 63 Series: 2"

Finishes (Advantex Products Only)

605 / US3	Polished Brass	613 / US10B	Oil Rubbed Bronze
606 / US4	Brushed Brass	629 / US32	Polished Stainless Steel
611 / US9	Polished Bronze	630 / US32D	Brushed Stainless Steel
612 / US10	Brushed Bronze		

Riser Diagram



Listings and Approvals (AO19)



Certified to ANSI/UL 325-2006 Tested - ANSI 156.10 and 156.19



Meets ADA requirements



Certified to CAN/CSA 247-92



3-Hour Fire Listed

Detex Limited Warranty

Advantex - 10 Year Mechanical / 3 Year Electrical Manufacturers Limited Warranty

AO19 - 3 Year Mechanical / 1 Year Electrical Limited Manufacturers Warranty



Detex Corporation
 302 Detex Drive
 New Braunfels, Texas 78130-3045 USA
 PH. (830) 629-2900
 (800) 729-3839
 FAX (800) 653-3839
 http://www.detex.com
 USA Sales:
 marketing@detex.com
 International Sales:
 export@detex.com

Cancer & Reproductive Harm - www.detex.com/prop65

Safety, Security and Risk Management



PROXIPEN

ProxiPen



Compact Reader for RFID Tags

In today's rapidly-changing information society, large corporations and small companies alike increasingly require modern data collection and auto-ID systems. To meet these demands, GCS has developed an innovative data acquisition unit, the "ProxiPen." The ProxiPen reads radio frequency identification (RFID) tags and other transponders automatically and can fully satisfy the data-collection needs of both commercial and industrial applications.



Benefits

- ProxiPen can read RFID tags even if they are wet, frosty, dirty, greasy or painted over
- RFID tags can be concealed behind wallpaper, wallboard, plaster, paneling, glass or any other nonmetallic material - a real plus in applications where aesthetics or vandalism are considerations
- ProxiPen "autosenses" and reads RFID tags whenever they come within its reading range
- Low power consumption - requires one "AA" commercial alkaline, lithium or rechargeable battery that can be replaced by user without any special tools
- High memory capacity (4,063 readings) - can be used for long periods in the field without the need for frequent downloading
- Easy to use; no external controls

Features

- Compact, lightweight, simple to operate
- Reads RFID proximity tags
- Supports Microsoft operating systems including Windows 8, Windows 7, Vista, and Windows 10
- Tough waterproof polycarbonate housing
- Provides visible and audible indications to confirm that RFID tag has been read
- Resists heat, shock and hydrocarbons
- Powered by one "AA" commercial alkaline, lithium or rechargeable battery

Applications

- Guard Tour
- Cleaning
- Maintenance
- Attendance
- Recording Service Activities

Technical Information

- Dimensions: 6.5"L x 1.26"W x 0.98"H (L165 x W32 x H25mm)
- Weight: 4.94 oz. (142g)
- Operating Temperature Range: -4°F to +158°F (-20°C to +70°C)
- Internal Protection Grade: IP67
- Mechanical Shock Resistance: Free fall from 5 ft. (1.5m) on concrete
- TAG Frequency: 125 kHz
- Reading Distance: 0.12" to 0.71" (3-18mm) depending on size of transponder and condition of battery. Reads through nonmetallic materials.
- Approved Tags: World TAG Unique dia. 1.18" (30mm); World TAG NOVA brick 0.2" (3mm); World TAG NOVA dia. 0.79"/1.18"/1.97" (20/30/50mm); Protag
- Memory Capacity: 4,063 readings
- Time Resolution: 1 minute
- Data Transfer: By RFID; 2400 to 57600 Baud
- Download Time: Approx. 1 minute (full memory)
- Housing: Polycarbonate
- Potting Material: Silicon or equivalent
- Power Supply: One "AA" cell, 1.5v
- Approved Batteries: Duracell® Ultra; Energizer® HI Energy lithium; Duracell Supreme AA 2650 mAH Rechargeable
- Time Permitted for Battery Change: 3 minutes maximum
- Battery Life in Standby Mode: Approx. 1 year
- Number of Readings with one Approved Alkaline Battery: Approx. 50,000
- EMC: EN 55022, EN 61000 4-3, EN 61000 4-2
- Accessories: Leather holster with belt clip

ProxiPen Kit

The ProxiPen is available in a kit that provides the total solution for guard tour verification requirements and other data-collection tasks. It contains everything you need to quickly and easily set up a complete guard tour system:


- ProxiPen RFID Tag Reader
- Data transfer unit with USB cable
- TopGuard Patrol communication and reporting software
- 20 RFID tags (30mm dia.)

Detex Limited Warranty

3 Year Limited Manufacturer's Warranty



Detex Corporation
302 Detex Drive
New Braunfels, Texas 78130-3045 USA
PH. (830) 629-2900
(800) 729-3839
FAX (800) 653-3839
<http://www.detex.com>
USA Sales:
marketing@detex.com
International Sales:
export@detex.com

 Cancer & Reproductive Harm - www.detex.com/prop65

ProxiPen Kit

Proximity-Based Guard Tour Verification System



The GCS® ProxiPen Kit from Detex is the total solution for your guard tour verification requirements and other data collection tasks. It includes everything you need to quickly and easily set up a complete guard tour system that features the innovative ProxiPen RFID tag reader and user-friendly TopGuard Patrol communication and reporting software.



Features and Benefits

- ProxiPen's data points are RFID tags, which ProxiPen senses and reads automatically whenever they come into its reading range
- ProxiPen can read the RFID tags even if they are wet, frosty, dirty, greasy or painted over
- ProxiPen's RFID tags may be concealed behind wallpaper, sheetrock, plaster, paneling, mirrors or any other nonmetallic surface; this is a real plus in applications where aesthetics or vandalism are considerations
- ProxiPen is compact, lightweight and easy to use, with no external controls
- Correct data-point readings are confirmed by visible and audible signals
- ProxiPen's electronics are sealed in a tough polycarbonate housing, making the reader completely waterproof and shock-resistant
- ProxiPen delivers 50,000 data readings from one "AA" battery, which can be changed by the user without tools or loss of data (stored in non-volatile memory)
- ProxiPen's anti-tampering features discourage unauthorized battery removal
- TopGuard Patrol software makes it easy to set up tours, download and evaluate collected data and prepare reports, which may be saved and/or e-mailed in HTML or PDF format
- TopGuard Patrol is easily customized to accommodate any data collection application, including maintenance, service, cleaning, attendance and asset tracking. Control points, incidents, personnel, equipment, inventory or activities can be assigned to an RFID tag
- The optional PLUS version of TopGuard Patrol provides extended capacity, more reporting options and other advanced, high-utility features

Kit Contents

<u>Qty.</u>	<u>Part No.</u>	<u>Description</u>
1	PROXIPEN-2	ProxiPen RFID Tag Reader
1	GCS-PP-DTU	Data Transfer Unit (DTU) for ProxiPen
1	GCS-PP-DTU-USB	USB Data Cable for ProxiPen DTU
1	GCS-TGP	TopGuard Patrol Software
20	GCS-PP-TAG30-U	RFID Tag, 30mm diameter

Software Features

TopGuard Patrol software works under 32-bit and 64-bit versions of Windows® XP, Vista, Windows 7, Windows 8, and Windows 10

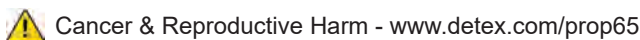
TopGuard Patrol can be used on a stand-alone PC or on a workstation in a network. There is not a network version of TopGuard Patrol; however, multiple workstations having TopGuard Patrol PLUS installed can be configured to share downloaded data and produce reports independently.

Options & Accessories

- ProxiPen Holster (GCS-PP-HOL)
- Belt Clips for ProxiPen Holster (HOLST-PP-CLIP)
- Power Supply for ProxiPen DTU, 120/240 VAC, with USA/UK/EUR adapters (GCS-PP-DTU-PS)
- ProxiPen Incident Book, with 20 RFID tags (GCS-PP-INCBK)
- RFID Tag, 50mm diameter (GCS-PP-TAG50-N)
- RFID Tag, 20mm diameter (GCS-PP-TAG20-N)
- Wristband RFID Tag (GCS-PP-WB-U)
- Proximity RFID Card with Magstripe (GCS-PP-CRD-U)
- Keyfob RFID Tag (GCS-PP-KF-U)
- TopGuard Patrol PLUS Software (GCS-TGPLUS)

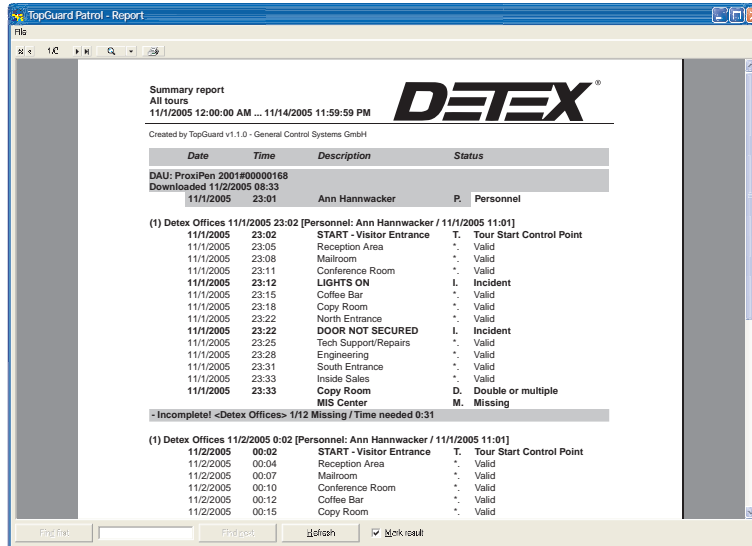
Detex Limited Warranty

1 Year Limited Manufacturer's Warranty (3 years on ProxiPen)



Detex Corporation
302 Detex Drive
New Braunfels, Texas 78130-3045 USA
PH. (830) 629-2900
(800) 729-3839
FAX (800) 653-3839
<http://www.detex.com>
USA Sales:
marketing@detex.com
International Sales:
export@detex.com

TopGuard Patrol® is a versatile guard tour software application from GCS. It is a communication tool for all GCS data acquisition units, combined with a report generator. It includes a Microsoft® Access database and the most modern programming tools, so it's powerful, yet easy to use. And TopGuard Patrol can be quickly configured to display in a variety of languages.



Benefits

- TopGuard Patrol software makes it easy to set up tours, download and evaluate collected data and prepare reports, which may be saved and/or e-mailed in HTML or PDF format
- PLUS Version provides extended capacity, more reporting options and other advanced, high-utility features
- With fully user-editable text fields, TopGuard Patrol can be customized to accommodate any data collection application, including maintenance, service, cleaning, attendance or asset tracking
- Can be used on a stand-alone PC or on a workstation in a network
- Password requested on startup prevents unauthorized access to master files and configuration of data acquisition units.
- Data is also protected by a CRC checksum to prevent manipulation

Features

- Uses Microsoft® Access database
- PP-Modem utility allows modem transfer of data from remote sites
- Built-in utility communicates with GCS data acquisition and transfer units - checks battery status, sets date/time, defines dialing parameters for modem transfer
- TopGuard Patrol (Basic Version): Up to 1,750 data media (magnetic data strips, RFID tags or optical bar codes) can be programmed as incidents, personnel or control points in up to 16 rounds. Includes one comprehensive evaluation report format.
- TopGuard Patrol PLUS (Enhanced Version): Up to 7,500 data media (magnetic data strips, RFID tags or optical bar codes) can be programmed as incidents, personnel or control points in up to 250 rounds. Includes six different report formats with four report options. Create maps of tours using imported JPG or BMP images

Reports (TopGuard Patrol PLUS only)

- Six (6) Report Formats:
 - Summary Report
 - Personnel Report
 - Control Point Report
 - Incident Report
 - Break Report
 - Database History Report
- Four (4) Report Options (Summary and Personnel Report only)
 - Print missing control points
 - Print Exceptions
 - Print missing control points
 - Summary only

System Requirements

Minimum System:

- Intel® 486 processor (or compatible)
- 16 MB RAM
- 50 MB hard disk
- Screen resolution 800 x 600
- USB port (for DTU)

Recommended System:

- Intel® Pentium® Dual-Core E5700 3.0 GHz processor (or compatible)
- 2 GB RAM
- 500 GB hard disk
- Screen resolution 1024 x 768
- USB port (for DTU)

Supports Microsoft operating systems including Windows 8, Windows 7, Vista and Windows 10

NOTE: In addition, TopGuard Patrol PLUS includes a copy protection device that must be attached to a USB data port on the PC in order for the software to operate.

TopGuard Patrol can be used on a stand-alone PC or on a workstation in a network. There is not a network version of TopGuard Patrol; however, multiple workstations having TopGuard Patrol PLUS installed can be configured to share downloaded data and produce reports independently.

Password Protection

Each time TopGuard Patrol is started, the password is requested. You may log in as the administrator or a user, as required. This prevents unauthorized access to master files and configuration of data acquisition units. The downloaded data is also protected by a CRC checksum to prevent manipulation.

Configuration of Data

Acquisition and Transfer Units

The built-in utility function communicates with all GCS ProxiPen and Escorte data acquisition units and the ProxiPen data transfer unit. It can be used to check the battery status, set the date and time, define dialing parameters for data transfer by modem and other tasks.

Detex Limited Warranty

1-Year Limited Manufacturers Warranty

Programming and Downloading

Tours are easily defined by manually entering or downloading control points from a data acquisition unit into a control point "pool." Collected data is evaluated immediately after downloading it to the computer, and within seconds you can view the report on the screen. GCS magnetic data strips, RFID tags and bar codes can be used as control points or for predefined incidents or personnel identification. Reports may be printed, saved to a file or sent by e-mail in native TopGuard Patrol format or as an HTML or Adobe Acrobat® PDF file.

Modem Transfer

Data transfer by modem allows recorded data to be downloaded from different remote sites to a central station for creating and evaluating reports at one central site. The recorded data stays in the memory of the data acquisition unit until the local modem confirms correct receipt of all data. The PP-Modem utility, included with TopGuard Patrol, communicates with and downloads the remote devices.



Detex Corporation
302 Detex Drive
New Braunfels, Texas 78130-3045 USA
PH. (830) 629-2900
(800) 729-3839
FAX (800) 653-3839
<http://www.detex.com>
USA Sales:
marketing@detex.com
International Sales:
export@detex.com

 Cancer & Reproductive Harm - www.detex.com/prop65

Safety, Security and Risk Management



Guardzman Watchclock System

GDS-12

Mechanical Watchclock

The Guardsman provides unique, unbroken, mechanical supervision of your security officers on weekends and during holidays and extended plant closings, as well as on weeknights. The system is simple, reliable and inexpensive.

Unlike most other watchclocks, the Guardsman operates on a continuous roll of tape. This records your security officer's activities for up to 120 hours, if need be, without changing the tape. Good practice forbids the officer from changing the tape himself; insurance regulations prohibit it. Thus, a firm using a watchclock system of lesser recording capacity must have a supervisor return to the plant to change the recording dial every 24 hours. For this, the supervisor often must be paid at overtime rates. The Guardsman's extra capacity eliminates this problem.



**OBSOLETE AS OF
DECEMBER 31, 2011**



Benefits -

- Provides motivation for security officers to perform their assigned rounds, plus conclusive documentation that they have done so
- Easy to install using simple tools - a drill and a screwdriver
- Helps reduce the risk of fire, burglary, vandalism and industrial mishaps thus saving money on reduced insurance premiums

Features -

- Uninterrupted time-keeping for up to 120 hours
- Highly accurate eight-day shock resistant movement with 11-jeweled escapement
- Requires winding only once per week
- Embossed record made directly from raised numerals on recording keys without ribbon, carbons, or inking devices
- Accommodates up to 40 stations
- Tapes are virtually impossible to counterfeit, alter or tamper with
- Tampering detector indicates if clock has been opened or closed
- Rugged construction, including a die-cast aluminum housing, heat-treated crystal, and a riveted and reinforced case of harness leather

Operation -

- Install a key station at each control point that the officer is to visit during his rounds
- The recording tape has a ruled space for each of the 24 hours of every day. Since the tape is synchronized with the clock mechanism, each time a station is registered, its embossed record follows the previous registration. Any omission by the officer shows up as a prominent white space on the tape.
- To extract the daily - or weekend - record, simply push the tape cutter. You have in your hand a strip of tape which shows instantly where the officer was throughout his tour.
- As the officer visits each control point, he removes the recording key from the station, inserts it into the clock and turns the key. This registers the station number on the recording tape in the clock at the correct time of day.
- When the tape is inspected, any stations missed or rounds not performed can be readily seen.

Key Stations -

- Key station models that meet the requirements of every setting
- Easily and quickly installed by plant or office maintenance personnel, with only a screwdriver and drill
- Each key station installed with aluminum seals
- Any attempt by security personnel to collect the keys causes damage to seals, which is readily detected by routine inspection
- Chain holding key made from continuous links of stainless steel
- Chain is anchored such that any attempt to detach it from the station will create noticeable damage

System Requirements-

- Guardsman Watchclock - GDS-12
- Key Stations -
Indoor/outdoor - SDC-90 (Cyclocac® thermoplastic), SDA-90 (Powder-coated cast aluminum)
Institutional - SSKL-90 (drawn steel with cover lock) or SSK-90 (drawn steel)
- Tapes - BX-Tapes

All- Purpose Indoor/ Outdoor Key Stations -

- Models SDC and SDA - surface mounted with simple lift-up covers for easy access
- Easily and quickly installed by plant or office maintenance personnel, with only a screwdriver and drill
- Suitable for indoor or outdoor factory and office locations
- SDC is molded from high-impact Cyclocac® (ABS) thermoplastic
- SDA is durable, powder coated cast aluminum

Dimensions

- Case - 6-1/2" Dia. x 2-3/4" Thick
- Clock Dial - 1-7/8" Dia.
- Shoulder Strap - 55" Long

Detex Service

Factory regional sales and service office in New Braunfels Texas - operated under our supervision by authorized distributors worldwide, assure Detex users prompt and convenient service everywhere. Emergency loan equipment is available.

Institutional Key Stations -

- Models SSK and SSKL - surface mounted, recommended for schools and other institutions
- Housing of drawn steel
- SSKL comes with cover lock to discourage tampering

Replacement Stations -

- When ordering key stations, be sure to state whether station should include keys and chains
- Specify key station identification number desired and key station model

Replacement Keys -

- K2K-22 - state quantity and station identification numbers
- Key package includes - key, chain, key shackle, seals, seal holders, anchor and screws

Detex Limited Warranty

1 Year Limited Manufacturers Warranty



Detex Corporation
302 Detex Drive
New Braunfels, Texas 78130-3045 USA
PH. (830) 629-2900
(800) 729-3839
FAX (830) 620-6711
(800) 653-3839
<http://www.detex.com>
USA Sales:
marketing@detex.com
International Sales:
export@detex.com

Newman Watchclock System

N-24

Mechanical Watchclock

The Newman was the first portable watchclock of American design to be sold in this country. Built to a high standard of quality, ruggedly constructed, completely modernized and up-to-date, it is simple in operation and provides maximum service with minimum wear.



Benefits -

- Provides motivation for security officers to perform their assigned rounds, plus conclusive documentation that they have done so
- Easy to install using simple tools - a drill and a screwdriver
- Helps reduce the risk of fire, burglary, vandalism and industrial mishaps thus saving money on reduced insurance premiums

Features -

- 24-hour record
- Embossed record made directly from raised numerals on recording keys without ribbon, carbons, or inking devices
- Highly accurate eight-day shock resistant movement with 11-jeweled escapement
- Accommodates up to 40 stations
- Tampering detector indicates if clock has been opened or closed
- Requires winding only once per week
- Dials are virtually impossible to counterfeit, alter or tamper with
- Rugged construction, including a die-cast aluminum housing, heat-treated crystal, and a riveted and reinforced case of harness leather

Operation -

- Install a key station at each control point that the officer is to visit during his rounds
- Insert a new record dial into the clock, set the time and give the clock to the security officer
- As the officer visits each control point, he removes the recording key from the station, inserts it into the clock and turns the key. This registers the station number on the recording dial in the clock at the correct time of day.
- The recording dial has a ruled space for each of the 24 hours of the day. The advancement of the dial is synchronized with the clock mechanism, so that each time a station is registered, its number is embossed at the correct time of day and follows the previous registration. The recording keys are designed such that a missed station causes a conspicuous gap on the dial.
- The daily record is removed by simply unsnapping the locknut and removing the dial, and inserting a new one.
- When the dial is inspected, any stations missed or rounds not performed can be readily seen.

Key Stations -

- Key station models that meet the requirements of every setting
- Easily and quickly installed by plant or office maintenance personnel, with only a screwdriver and drill
- Each key station installed with aluminum seals
- Any attempt by security personnel to collect the keys causes damage to seals, which is readily detected by routine inspection
- Chain holding key made from continuous links of stainless steel
- Chain is anchored such that any attempt to detach it from the station will create noticeable damage

Complete System Requirements-

- Newman Watchclock - N24
- Key Stations -
Indoor/outdoor - SDC-90 (Cyclocac® thermoplastic), SDA-90 (Powder-coated cast aluminum)
Institutional - SSKL-90 (drawn steel with cover lock) or SSK-90 (drawn steel)
- Dials - BX-3924

All- Purpose Indoor/ Outdoor Key Stations -

- Models SDC and SDA - surface mounted with simple lift-up covers for easy access
- Easily and quickly installed by plant or office maintenance personnel, with only a screwdriver and drill
- Suitable for indoor or outdoor factory and office locations
- SDC is molded from high-impact Cyclocac® (ABS) thermoplastic
- SDA is durable, powder coated cast aluminum

Watchclock Dimensions

- Case - 5-5/8" Dia. x 2-3/8" Thick
- Clock Dial - 2-3/16" Dia.
- Shoulder Strap - 55" Long

Detex Service

Factory regional sales and service office in New Braunfels Texas - operated under our supervision by authorized distributors worldwide, assure Detex users prompt and convenient service everywhere. Emergency loan equipment is available.

Institutional Key Stations -

- Models SSK and SSKL - surface mounted, recommended for schools and other institutions
- Housing of drawn steel
- SSKL comes with cover lock to discourage tampering

Replacement Stations -

- When ordering key stations, be sure to state whether station should include keys and chains
- Specify key station identification number desired and model

Replacement Keys -

- K2K-22 - state quantity and station identification numbers
- Key package includes - key, chain, key shackle, seals, seal holders, anchor and screws

Detex Limited Warranty

1 Year Limited Manufacturers Warranty



Detex Corporation
302 Detex Drive
New Braunfels, Texas 78130-3045 USA
PH. (830) 629-2900
(800) 729-3839
FAX (830) 620-6711
(800) 653-3839
<http://www.detex.com>
USA Sales:
marketing@detex.com
International Sales:
export@detex.com

Newman Quartz Watchclock System

Mechanical Watchclock

Our battery-operated Newman Quartz watchclock delivers all the dependability you'd expect from a Newman, but with a reliable quartz movement. Like its famed mechanical counterpart, the Newman Quartz watchclock provides a 24-hour record directly embossed on a paper time dial by means of raised numerals on the recording keys. The Newman Quartz watchclock is lightweight and is built to withstand rugged use with a die-cast aluminum housing and a tough, nylon case. And it never needs winding.



Benefits -

- Provides motivation for security officers to perform their assigned rounds, plus conclusive documentation that they have done so
- Helps reduce the risk of fire, burglary, vandalism and industrial mishaps thus saving money on reduced insurance premiums
- Easy to install using simple tools - a drill and a screwdriver
- Produces a secure, tamper-resistant record with dials that are virtually impossible to counterfeit, alter or tamper with
- Economical - ideal for users with restricted security budgets or sites with up to 40 control points
- Never needs winding; one "AA" battery provides one year of trouble-free operation

Features -

- Lightweight and easy to carry
- Built to withstand rugged use with a die-cast aluminum case
- Cover is secured by a lock
- The entire clock is enclosed in a rugged nylon pouch
- 24-hour record embossed directly on dials from raised numerals on recording keys without ribbon, carbons, or inking devices
- Highly accurate precision quartz movement
- Accommodates up to 40 stations
- Tampering detector indicates the exact time the case cover is opened or closed
- A shoulder strap allows the clock to be carried in a protected position

Operation -

- Install a key station at each control point that the officer is to visit during his rounds
- Insert a new record dial into the clock, set the time and give the clock to the security officer
- As the officer visits each control point, he removes the recording key from the station, inserts it into the clock and turns the key. This registers the station number on the recording dial in the clock at the correct time of day.
- The recording dial has a ruled space for each of the 24 hours of the day. The advancement of the dial is synchronized with the clock mechanism, so that each time a station is registered, its number is embossed at the correct time of day and follows the previous registration. The recording keys are designed such that a missed station causes a conspicuous gap on the dial.
- The daily record is removed by simply unsnapping the locknut and removing the dial, and inserting a new one.
- When the dial is inspected, any stations missed or rounds not performed can be readily seen.

Key Stations -

- Key station models that meet the requirements of every setting
- Easily and quickly installed by plant or office maintenance personnel, with only a screwdriver and drill
- Each key station installed with aluminum seals
- Any attempt by security personnel to collect the keys causes damage to seals, which is readily detected by routine inspection
- Chain holding key made from continuous links of stainless steel
- Chain is anchored such that any attempt to detach it from the station will create noticeable damage

Complete System Requirements-

- Newman Quartz Watchclock
- Key Stations -
Indoor/outdoor - SDC-90 (Cyclocac® thermoplastic), SDA-90 (Powder-coated cast aluminum)
Institutional - SSKL-90 (drawn steel with cover lock) or SSK-90 (drawn steel)
- Dials - BX-3924

All- Purpose Indoor/ Outdoor Key Stations -

- Models SDC and SDA - surface mounted with simple lift-up covers for easy access
- Easily and quickly installed by plant or office maintenance personnel, with only a screwdriver and drill
- Suitable for indoor or outdoor factory and office locations
- SDC is molded from high-impact Cyclocac® (ABS) thermoplastic
- SDA is durable, powder coated cast aluminum

Watchclock Dimensions

- Case - 5-5/8" Dia. x 2-3/8" Thick
- Clock Dial - 2-3/16" Dia.
- Shoulder Strap - 55" Long

Detex Service

Factory regional sales and service office in New Braunfels Texas - operated under our supervision by authorized distributors worldwide, assure Detex users prompt and convenient service everywhere. Emergency loan equipment is available.

Institutional Key Stations -

- Models SSK and SSKL - surface mounted, recommended for schools and other institutions
- Housing of drawn steel
- SSKL comes with cover lock to discourage tampering

Replacement Stations -

- When ordering key stations, be sure to state whether station should include keys and chains
- Specify key station identification number desired and model

Replacement Keys -

- K2K-22 - state quantity and station identification numbers
- Key package includes - key, chain, key shackle, seals, seal holders, anchor and screws

Detex Limited Warranty

1 Year Limited Manufacturers Warranty



Detex Corporation
302 Detex Drive
New Braunfels, Texas 78130-3045 USA
PH. (830) 629-2900
(800) 729-3839
FAX (830) 620-6711
(800) 653-3839
<http://www.detex.com>
USA Sales:
marketing@detex.com
International Sales:
export@detex.com

Safety, Security and Risk Management



RELIANT

RELIANT™ PLUS

Guard Tour Verification System Kit

Reliant PLUS from DETEX provides a complete, simple-to-use solution for guard tour verification and other data-collection tasks. The Reliant PLUS Kit includes everything you need to quickly and easily set up a complete guard tour system that features the rugged Reliant data acquisition unit, stainless steel iButton® touch-memory checkpoints and the user-friendly Reliant PLUS II communication and reporting software.

Reliant Data Acquisition Unit (REL-DAU-8)



The Reliant Data Acquisition Unit (DAU) is a rugged, portable device with no external controls that records and stores readings from the iButton checkpoints, along with the time and date of each reading. The device is protected by an enclosure of glass-reinforced polycarbonate (Lexan®). Successful readings are confirmed both by audible and visible indicators. The Reliant stores 5,460 readings in nonvolatile RAM. The unit will operate for one year or 500,000 readings on three "AAA" batteries, which are user-changeable. The Reliant measures 3.88" x 1.9" x 1.36" (98.5mm x 48mm x 34.5mm) and weighs 5.3 oz. (150g).

Reliant Data Transfer Unit (REL-DTU-8)



The Reliant Data Transfer Unit (DTU) transfers checkpoint readings from the Reliant DAU to a PC for processing into reports. The REL-DTU connects to the PC via an RS-232 (serial) port or a USB port.

Touch-Memory iButton® Checkpoints (REL-CKP)



The Reliant checkpoints use stainless-steel touch-memory iButtons. Each iButton has a unique 16-digit ID number that identifies the checkpoint, security officer, supervisor, etc. to which it is assigned. The iButtons are assembled into checkpoints using clear polycarbonate shells and mounted with the self-threading screws provided.

Reliant Incident Book (REL-INCBK)



Incidents may be recorded using the Reliant Incident Book. Incidents are pre-defined and assigned numeric codes in the Reliant PLUS II software. Incidents observed by the officer are recorded during a tour by entering the incident's code, using the touch-memory keypad.

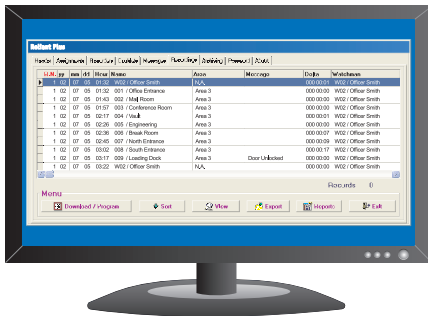
Reliant PLUS II Software



Reliant PLUS II is an easy-to-use software application for communicating with and configuring the Reliant DAU, transferring and analyzing tour data and producing reports of officers' activities. Its database provides powerful and flexible reporting features, including:

- Filtered reports
- Performance/Exceptions report
- Missed Stations reports

Reliant PLUS II also includes archiving and database management and repair functions.



Mobile Data Transfer Unit (REL-MDTU-8)



The Reliant Mobile Data Transfer Unit, with a capacity of 21,842 readings, can collect the data from several Reliant DAUs. This makes it unnecessary to take a portable PC to several sites or to bring the DAUs to a central location for downloading.

iButtons for Officer & Supervisor ID



ID Badge (REL-BDG)



ID Keys (REL-KF)

iButton ID Badges and Keys are used to identify officers or supervisors in the reports, so that responsibility for performance of tasks may be assigned.

Contents of Kit

- 1 - Reliant Data Acquisition Unit
- 1 - Nylon Holster
- 1 - Reliant Data Transfer Unit
- 1 - Reliant PLUS II Software CD, including User Manual (PDF)
- 2 - iButton® ID Keys
- 10 - Checkpoints (including iButtons)
- 1 - Incident Book

iButton Mounting Options

Other options for mounting iButtons include one-piece aluminum mounts.

2mm Aluminum Mount (REL-CKP-MNT3)



1mm Aluminum Mount (REL-CKP-MNT4)

Detex Limited Warranty

2-Year Limited Manufacturer's Warranty



Detex Corporation
 302 Detex Drive
 New Braunfels, Texas 78130-3045 USA
 PH. (830) 629-2900
 (800) 729-3839
 FAX (800) 653-3839
<http://www.detex.com>
 USA Sales:
marketing@detex.com
 International Sales:
export@detex.com