

4040SE Series

Features



The 4040SE SENTRONIC® is a heavy duty, non-handed, nonsized closer/holder designed to provide single point hold-open for fire and smoke barrier doors. The door is held open until current interruption releases the holding mechanism and the door closes. Single lever (track) arm closer is specifically designed for interior doors. Choice of finishes, track functions, and installation accessories meet virtually all life safety requirements.

Certifications Grade 1 - ANSI A156.15, UL 10C, ADA, 100 Hour Salt Spray, Meets BAA - Buy American Act, NFPA 101

Body Construction

- Cast Iron Body
- Full Complement Bearing
- 1-1/2" Diameter Piston
- 3/4" Diameter Double Heat Treated Pinion Journal

Fluid All Weather Fluid

Handing Non-Handed

Size Adjustable Spring Size, up to 4

Warranty 2 years

Cover

- Clip-on plastic, standard
- Metal, optional

Fasteners Wood and machine screw pack

Mounting Hinge (Pull Side), Stop Face (Push Side)

Arms Standard arm and SE track, standard Double egress arm and SEL track, optional

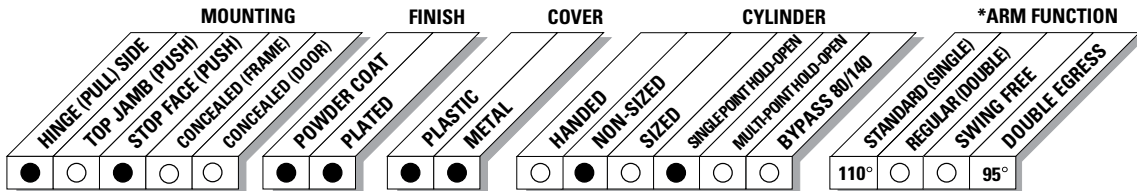
**Finishes/Colors/
Powder Coat**

- Aluminum (689)
- Statuary Bronze (690)
- Light Bronze (691)
- Black (693)
- Dark Bronze (695)
- Brass (696)
- Custom colors optional
- Optional SRI primer - powder coat only
- Optional plated finishes

Wiring Concealed or surface, interfaces with fire alarm systems

Special Templates

Customized installation templates or products may be available to solve unusual applications. Contact LCN Product Support for assistance.



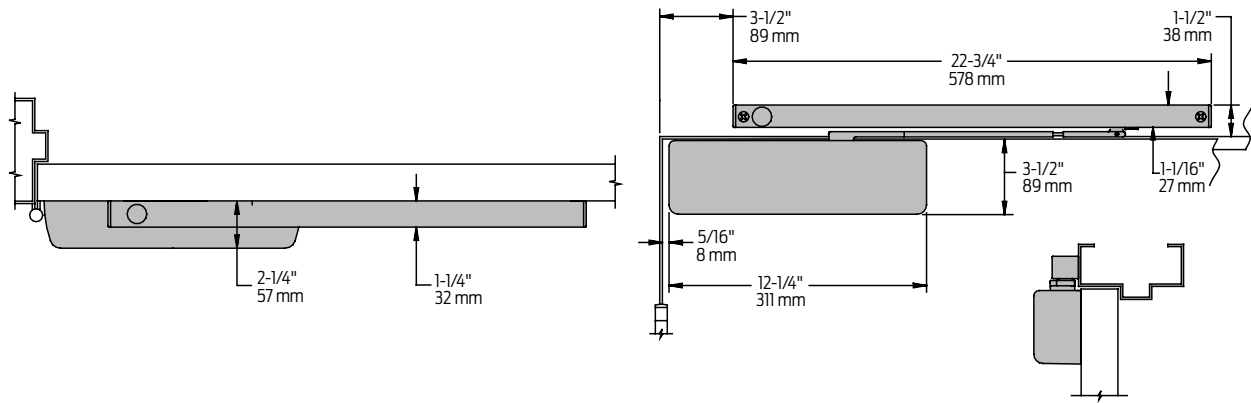
● AVAILABLE
○ NOT AVAILABLE

* Maximum opening/hold-open point with standard template. See individual closer series for degrees of opening per installation.

4040SE Series

Mounting details

Hinge (Pull) Side Mounting



Butt Hinges	Should not exceed 5" (127 mm) in width
Swing Clear Hinges	Consult factory
Auxiliary Stop	Recommended at hold-open point
Reveal	<ul style="list-style-type: none"> Should not exceed 1/8" (3 mm) for standard arm Should not exceed 2-11/16" (68 mm) for double egress arm
Top Rail	<ul style="list-style-type: none"> Minimum 3-1/2" (89 mm) Installation with PLATE, 4040SE-18 requires SPECIAL TEMPLATE and 1-3/4" (44 mm) minimum top rail
Head Frame	Requires 2" (51 mm) minimum
Flush Ceiling	2" (51 mm) head frame does not require special templating
Door Width	<ul style="list-style-type: none"> 2' 4" (711 mm) minimum for single door with SE 4' 8" (1422 mm) minimum for paired doors with SE
Flush Ceiling	2-3/8" (60 mm) behind door required for 90° installation
Maximum Opening	<ul style="list-style-type: none"> Templating allows 110° Hold-open points between 85° and 110° in approximately 3° increments Pull side mounting on a double egress frame requires a handed double egress arm Maximum hold-open to 95° 2-11/16" (67 mm) maximum reveal on pull side SEL track provides hold-open points between 90° and 120°, in approximately 3° increments
SE, SEL Electrical Options	<ul style="list-style-type: none"> These track assemblies require a single power circuit for the holding solenoid SE or SEL holding solenoid is either 24V or 120V input, please specify An optional 4040SE-3210 or 8310-824 TRANSFORMER reduces 120V AC line voltage to 24V AC. Circuitry accepts either AC or DC input
Options	<ul style="list-style-type: none"> Long (SEL) track Handed double egress arm for reveal under 2-11/16" (67 mm)
SE Wiring Diagram	See "FIRE/LIFE SAFETY" section page 19 for typical wiring and electrical diagram

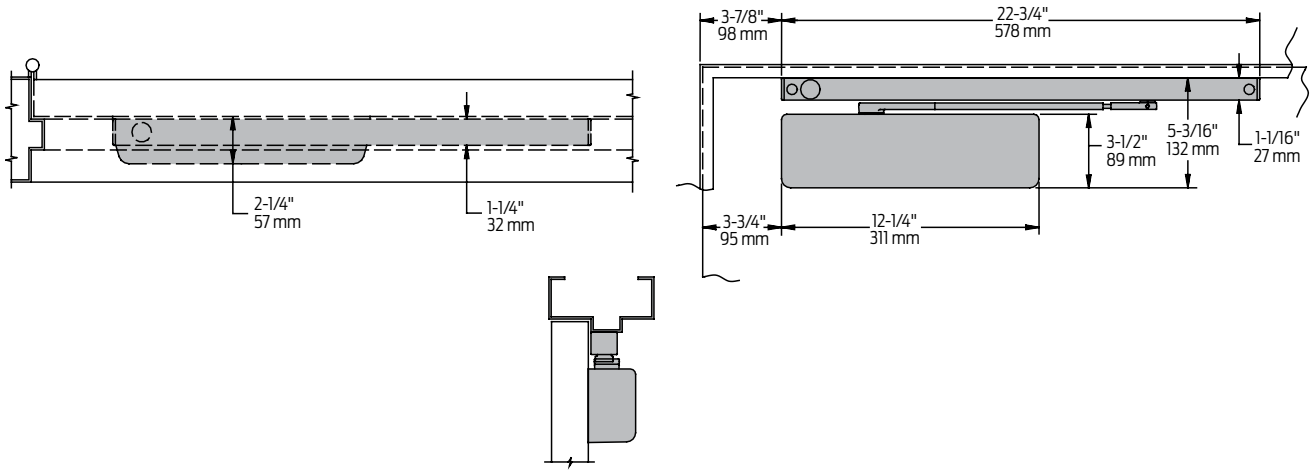
Notes:

- Information applies to 4040 SE unless otherwise specified
- Hold-open force is adjustable
- Momentary on/off switch board assembly for testing door release also provides over-voltage protection. Field replaceable
- Functions as a full rack and pinion closer when hold-open is not engaged or current is interrupted

4040SE Series

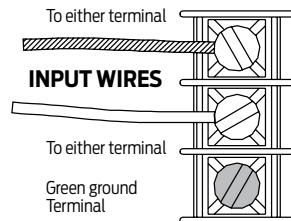
Mounting details

Stop Face (Push Side) Mounting



Butt Hinges	Should not exceed 5" (127 mm) in width
Auxiliary Stop	Recommended at hold-open point
Top Rail	<ul style="list-style-type: none"> Minimum 5-3/4" (146 mm) Installation with PLATE, 4040SE-18PA requires SPECIAL TEMPLATE and 2" (51 mm) minimum top rail
Stop Width	1-1/4" (32 mm) minimum
Door Width	<ul style="list-style-type: none"> 2' 4" (711 mm) minimum for single door with SE 4' 8" (1422 mm) minimum for paired doors with SE
Maximum Opening	<ul style="list-style-type: none"> Templating allows 110° Hold-open points between 85° and 110° in approximately 3° increments SEL track provides hold-open points between 90° and 120°, in approximately 3° increments
SE, SEL Electrical Options	<ul style="list-style-type: none"> These track assemblies require a single power circuit for the holding solenoid SE or SEL holding solenoid is either 24V or 120V input, please specify An optional 4040SE-3210 or 8310-824 TRANSFORMER reduces 120V AC line voltage to 24V AC Circuitry accepts either AC or DC input
Options	<ul style="list-style-type: none"> Long (SEL) track

SE Wiring Diagram



Notes:

- Information applies to 4040 SE closers unless otherwise specified
- Momentary on/off switch board assembly for testing door release also provides over-voltage protection. Field replaceable
- Functions as a full rack and pinion closer when hold-open is not engaged or current is interrupted

4040SE Series

Accessories

Cylinder



4040SE-3071 Cylinder Assembly

- Non-handed
- Cast iron
- Standard

Covers



4040SE-72 Plastic Cover

- Non-handed
- Clip-on
- Standard



4040SE-72MC Metal Cover

- Handed
- Required for plated finishes and custom powder coat finishes
- Optional

Arms



4040SE-3077T Standard Arm

- Non-handed
- Adjustable to select hold-open point



4040SE-3077DE Double Egress Arm

- Handed
- For pull side installations on double egress doors and frames
- Not required for push side mounting on double egress frames
- Optional

Tracks



4040SE-3038 SE Track

- Non-handed
- For SE closers. Mounts on either head frame or stop
- 24V or 120V AC/DC input for holding solenoid, please specify.
- Includes test switch assembly with fuse
- Standard



4040SEL-3038 SEL Long Track

- Non-handed
- Mounts on either head frame or stop
- 24V or 120V AC/DC input standard for holding solenoid, please specify
- Includes test switch assembly with fuse
- Optional

Switch



4040SE-3436
Test Switch

Installation Accessories



4040SE-18
Plate

- Required where top rail is less than 3-1/2" (89 mm)
- Requires minimum 2" (51 mm) top rail
- Installations require a SPECIAL TEMPLATE



4040SE-18PA
Plate

- Required where top rail is less than 5-3/4" (146 mm)
- Requires minimum 2" (51 mm) top rail
- Installations require a SPECIAL TEMPLATE



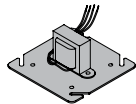
4040SE-81
Conduit Quick-Connector

- Two piece connector for use with 1/2" conduit



4040SE-3034SE
Track Roller & Track Slider

- Quiet, low friction roller assembly
- Shoulder dimension "X" = 1/8" (3 mm)
- Alloy metal slider for use in SE series tracks only



4040SE-3210
Transformer

- Reduces line voltage from 120V to 24V AC
- Mounted on cover for 4" (102 mm) x 4" x 2-1/8" (54 mm) junction box (by others)

4040SE Series

Ordering Information

How-to-order 4040SE Series closers

Select cylinder size

- SE
- SEL

Voltage

- 24V AC/DC
- 120V AC/DC

Specify finish

- Standard Powder Coat _____
Aluminum, Dark Bronze, Statuary, Light Bronze, Black, Brass.

Closer will be shipped with:

- Standard cylinder
- Standard clip-on cover
- Standard arm
- Standard track
- Wood & machine screw pack
unless options listed below are selected.

Closer options

Cover

- Metal (MC) (please specify right or left hand)

Finishes

- Custom Powder Coat (RAL) (handed metal cover required)
- Plated Finish, US _____ (handed metal cover required)

Arm

- Double Egress (DE) (please specify right or left hand)

Screw pack

- TB*, Wood & Machine Screw (TBWMS)
- TORX Machine Screw (TORX)
- TB* & TORX Machine Screw (TBTRX)

* Specify door thickness if other than 1-3/4"

Installation accessories

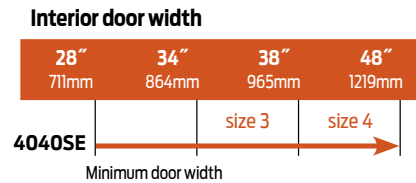
- Plate, 4040SE-18
- Plate, 4040SE-18PA
- Transformer, 4040SE-3210

Special template

- ST- _____

Table of sizes

- 4040SE series cylinders accommodate interior doors up to 48" (1219 mm) wide
- Closing power of 4040SE Series closers is adjustable through a range of sizes up to size 4



→ Indicates recommended range of door width for closer size.

*NOTE: For SE on paired door, min. width 60" (1524 mm).
For SE, minimum door width 28" (711 mm).
For SEL, minimum door width 30" (762 mm).
Details are listed on the MOUNTING DETAILS pages.*