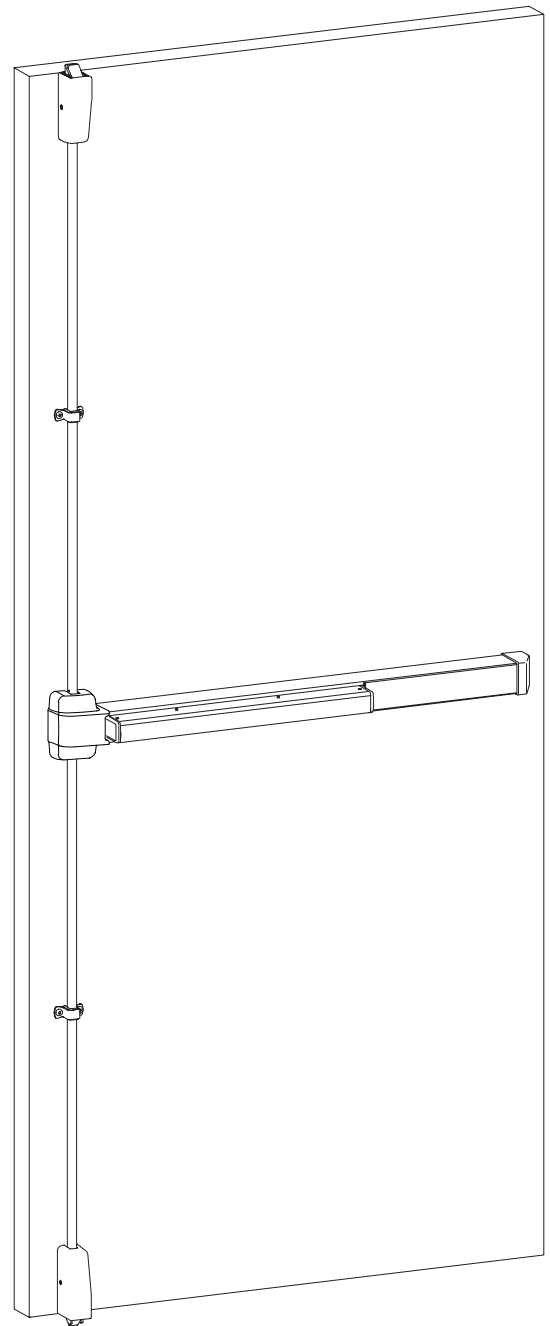


VON DUPRIN®

2227 Series Vertical Rod Exit Device

Service manual



INDEX

2227 Vertical Rod Devices	
Basic Panic Device	4-5
Basic Fire Device	6-7
Vertical Rods and Latch Cases	8-9
Baseplate Assemblies	10
Center Case Assembly	11
LBR Fire Latch Kit	12
Variations of the Basic Device	
QEL (Quiet Electric Latch)	13
RX (Request to Exit)	14
LX (Latch Bolt Monitoring)	14
ALK Exit Alarm Kit	15
General Information	
Introduction	2
How to Order	2
Part Number Changes	2
Finishes	3
Outside Trim Functions	3
Strikes	3

INTRODUCTION

This manual contains a listing of replaceable parts and assemblies for the 2227 and 2227-F Exit Hardware Devices.

HOW TO ORDER

Some parts are sold separately. Other items are available as part of a kit or multiple quantity package. For the best possible service when ordering replacement parts or assemblies, please provide the following information:

- Part number or assembly number
- Description
- Quantity needed
- Finish desired (if available finished)
- Date of original purchase (if known)

To find out the name of your local Von Duprin distributor or sales representative, contact:

Von Duprin Division
Allegion
2720 Tobey Drive
Indianapolis, IN 46219
Phone: (877) 671-7011

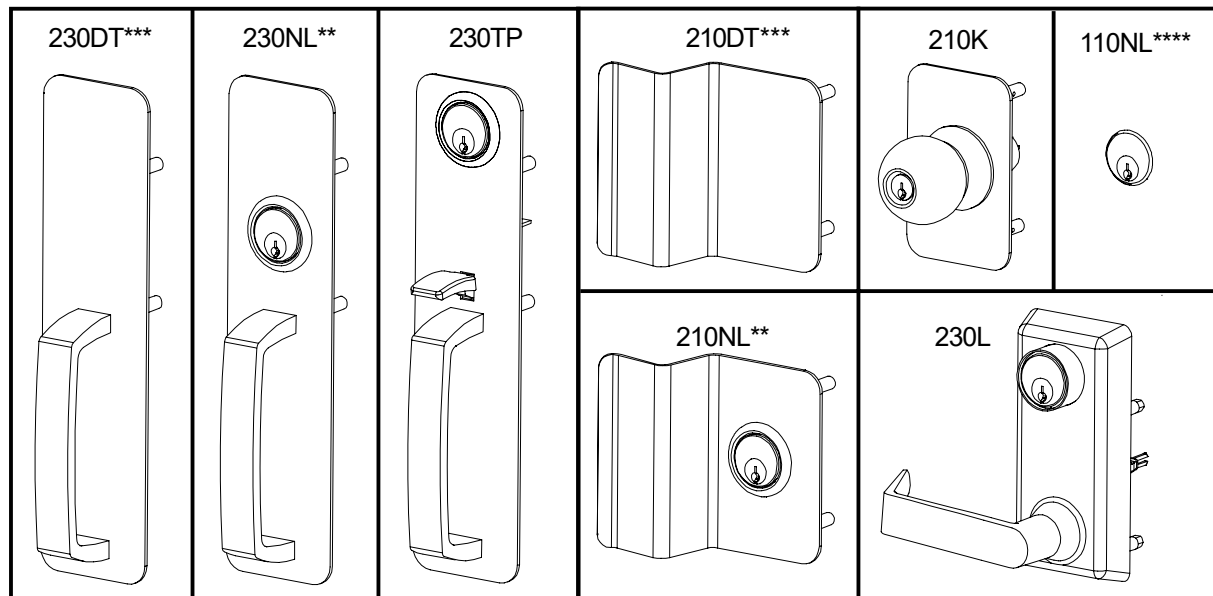
PART NUMBER AND AVAILABILITY CHANGES

This manual was designed to help illustrate the replacement parts and kits that are available for sale. Because of changes to the product and/or manufacturing process, part numbers and availability can change over time.

22 SERIES DEVICE AND TRIM FINISHES

U.S. Number	BHMA Number	Description	U.S. Number	BHMA Number	Description
- - - -	526	Powder-Coated Chrome	SP28	689	Powder-Coated Aluminum
US19	622	Powder-Coated Matte Black	SP313	695	Powder-Coated Dark Bronze

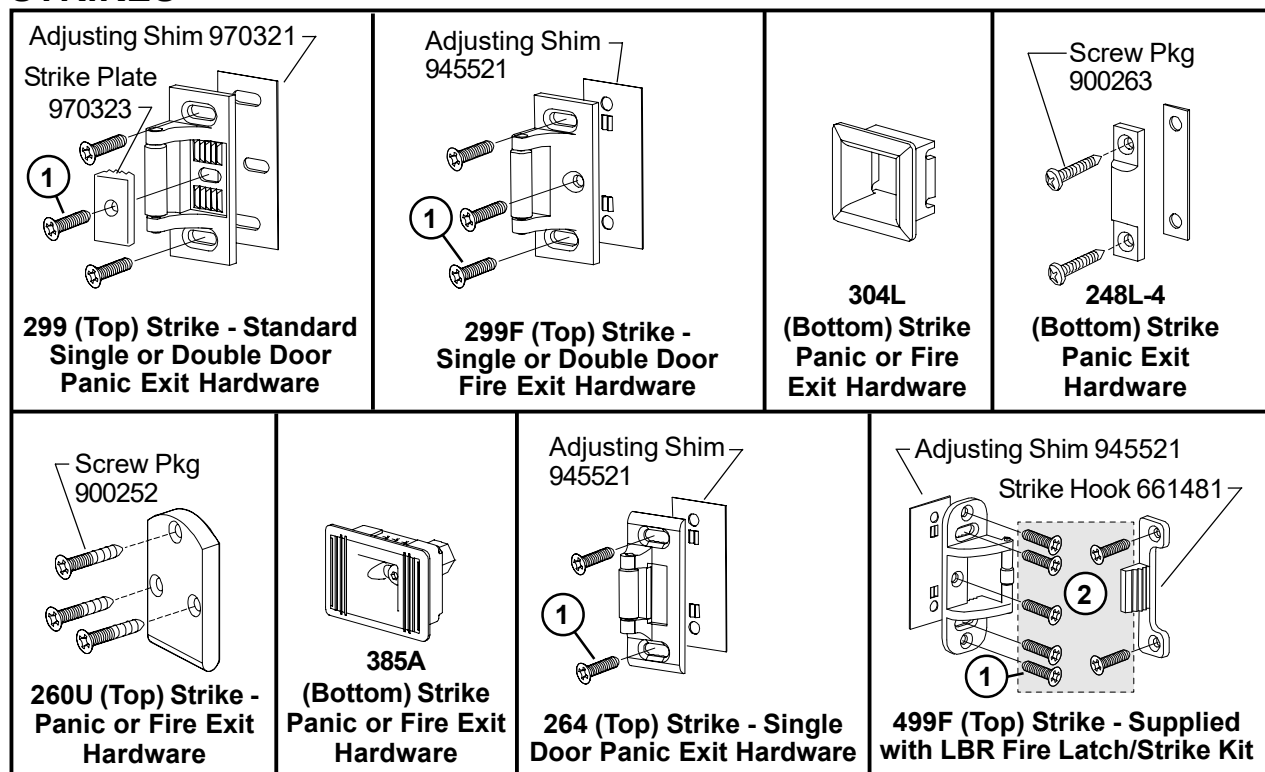
OUTSIDE TRIM FUNCTIONS



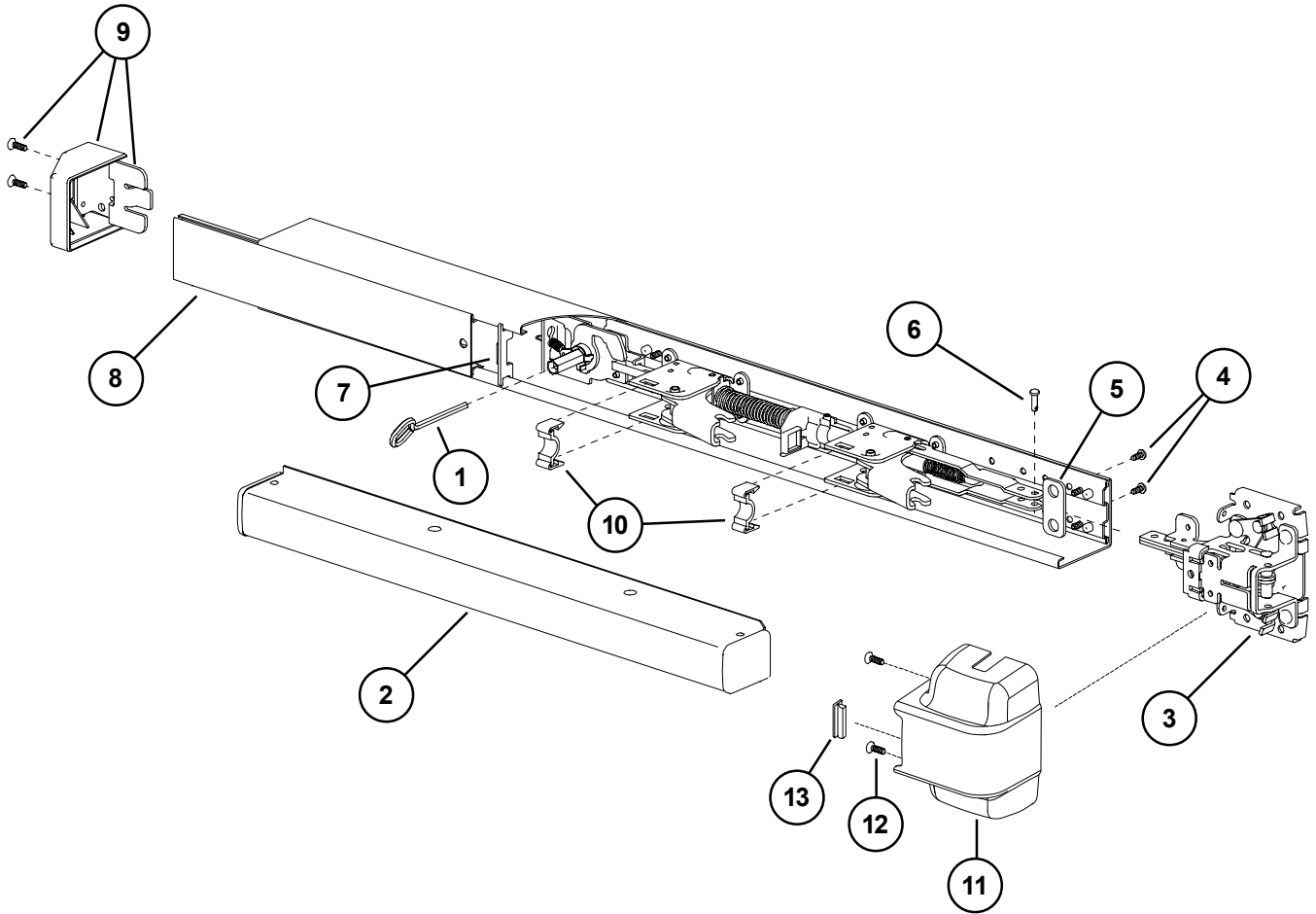
- * "BE" (Blank Escutcheon) no cylinder used - lever always active
- ** "NL" (Night Latch) key retracts latch bolt
- *** "DT" (Dummy Trim) for pull operation
- **** Optional Pull needs to be added

- ① Metal Door Screw Package PKGSRV.1023 (Pkg of 10)
- ② 499F Strike Mounting Package 900289 (Pkg of 7)

STRIKES



2227 VERTICAL ROD PANIC DEVICE



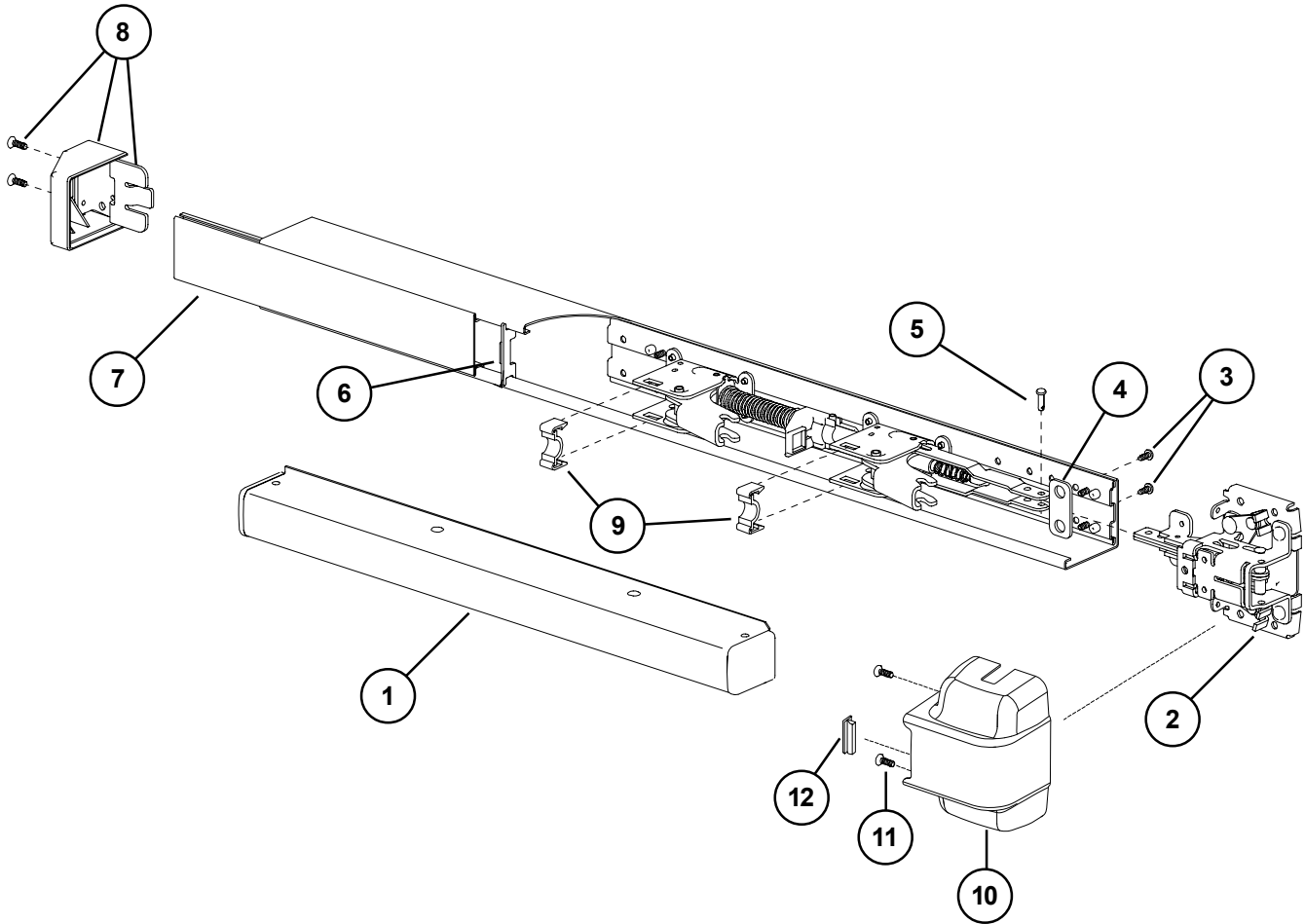
2227 VERTICAL ROD PANIC DEVICE

Item No.	Quantity	Part No.	Description	Finish
	1	900392	22 Series Mounting Pkg 1-3/4 Door	
	1	900568	2227 Series Mounting Pkg 2-1/4 Door	
1	1	090085	227 Dog Key 5/32" Hex (Pkg of 10)	
1	1	090005	227 Dog Key 5/32" Hex (Pkg of 2)	
2	1	*PBKIT	22 Series Push Bar Retrofit Kit - 3' Door	X
2	1	*PBKIT	22 Series Push Bar Retrofit Kit - 4' Door	X
3	1	CASE.107	2227/27-F Center Case Less Cover	
4	1	090037	Baseplate Screw (Pkg of 10)	
5	2	47289674	22 Center Case Spacer	
6	1	050529	Control Link Pin	
6	1	090031	Control Link Pin (Pkg of 10)	
7	1	968592	Cover Plate Bearing Insert	
8	1	968595	22/2227 Cover Plate - 3' Dr	X
8	1	968596	22/2227 Cover Plate - 4' Dr	X
9	1	900981	22 End Cap Kit	
9	1	900397	22 Metal End Cap Kit	X
10	1	090048	Baseplate Bearing Strip (Pkg of 2)	
11	1	041174	2227/27-F Center Case Cover	X
12	1	090077	22 Series Center Case Cover Screw Pkg/4	
13	1	966268	Cover Bearing Insert	

X in "Finish" column designates finished items; finish must be specified when ordering.

* To order, specify device type, size, and finish. Example: PBKIT 22 3' SP28

2227-F VERTICAL ROD FIRE DEVICE



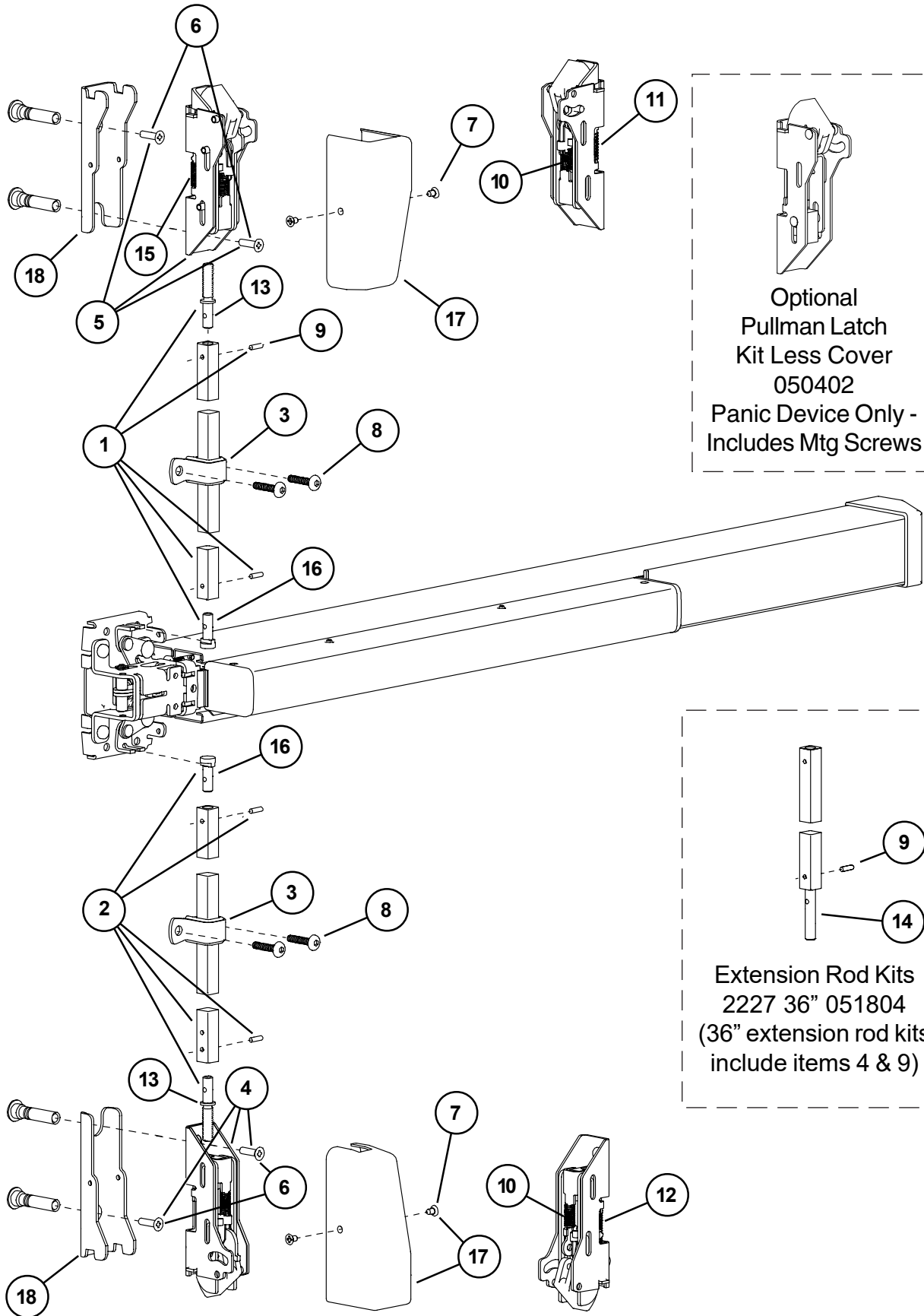
2227-F VERTICAL ROD FIRE DEVICE

Item No.	Quantity	Part No.	Description	Finish
	1	900392	22 Series Mounting Pkg 1-3/4 Door	
	1	900568	2227 Series Mounting Pkg 2-1/4 Door	
1	1	*PBKIT	22 Series Push Bar Retrofit Kit - 3' Door	X
1	1	*PBKIT	22 Series Push Bar Retrofit Kit - 4' Door	X
2	1	CASE.107	2227/27-F Center Case Less Cover	
3	1	090037	Baseplate Screw (Pkg of 10)	
4	2	47289674	22 Center Case Spacer	
5	1	050529	Control Link Pin	
5	1	090031	Control Link Pin (Pkg of 10)	
6	1	968592	Cover Plate Bearing Insert	
7	1	969127	22/2227-F Cover Plate - 3' Dr	X
7	1	969126	22/2227-F Cover Plate - 4' Dr	X
8	1	900981	22 End Cap Kit	
8	1	900397	22 Metal End Cap Kit	X
9	1	090048	Baseplate Bearing Strip (Pkg of 2)	
10	1	041175	2227/27-F Center Case Cover	X
11	1	090077	22 Series Center Case Cover Screw Pkg/4	
12	1	966268	Cover Bearing Insert	

X in "Finish" column designates finished items; finish must be specified when ordering.

* To order, specify device type, size, and finish. Example: PBKIT 22 3' SP28

2227 VERTICAL RODS AND LATCHES



Optional
Pullman Latch
Kit Less Cover
050402
Panic Device Only -
Includes Mtg Screws

Extension Rod Kits
2227 36" 051804
(36" extension rod kits
include items 4 & 9)

2227 VERTICAL RODS AND LATCHES

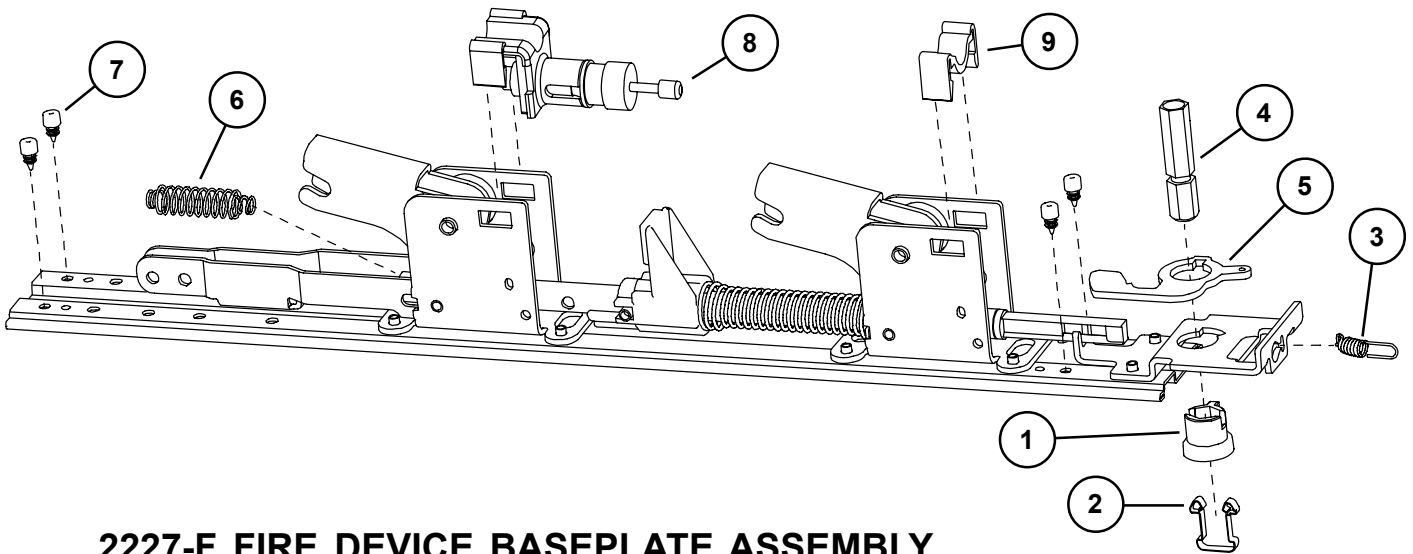
Item No.	Quantity	Part No.	Description	Finish
1	1	109361	2227 Top Vertical Rod	X
2	1	109362	2227 Bottom Vertical Rod	X
3	2	112063	2227 Rod Guide Pkg	X
4	1	050401	2227 Bottom Latch Kit Less Cover	
5	1	050400	2227 Top Latch Kit Less Cover	
6	1	900589	Latch Mounting Package (Pkg of 4)	
7	2	900850	Latch Case Cover Screw (Pkg of 2)	X
8	2	900919	2227 Rod Guide Mounting Package	X
9	4	090054	Rod Roll Pin (Pkg of 10)	
10	2	090065	Bolt Return Spring (Pkg of 10)	
11	1	090056	Top Latch Compression Spring (Pkg of 10)	
11	1	090057	PL Top Latch Spring (Pkg of 10)	
12	1	090076	Bottom Latch Case Spring (Pkg of 10)	
13	2	090067	Rod Connector - Latch (Pkg of 2)	
14	1	090075	2227 Rod Extension Connector Pkg/4	
15	1	090076	Aux. Bolt Spring (Pkg of 10)	
16	2	090068	Rod Connector - Center Case (Pkg of 2)	
17	2	050566	Latch Case Cover Kit w/Screws	X
18	2	050546	Latch Case Mtg. Bracket Kit	
*	1	050090	2227 Bottom Latch Retrofit Kit	X
*	1	050091	2227 Top Latch Retrofit Kit	X

* For devices shipped before October 1998.

X in "Finish" column designates finished items; finish must be specified when ordering.

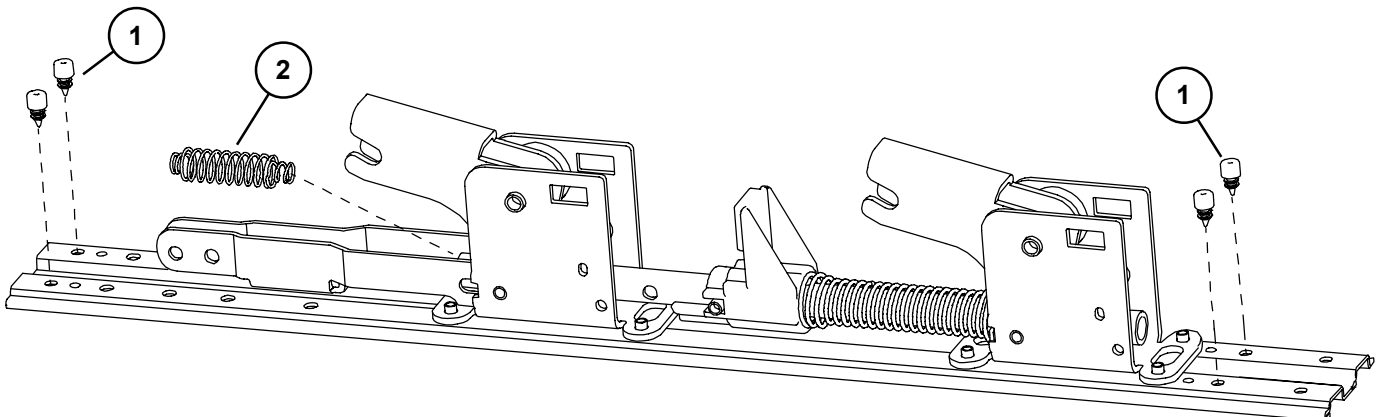
2227 PANIC DEVICE BASEPLATE ASSEMBLY

Item No.	Quantity	Part No.	Description	Finish
1	1	090043	Dogging adapter (Pkg of 2)	
2	1	090042	Dogging adapter spring (Pkg of 2)	
3	1	090041	Dogging spring (Pkg of 2)	
4	1	090040	Hex dogging shaft (Pkg of 2)	
5	1	090044	Dogging hook (Pkg of 2)	
6	1	090039	Baseplate return spring (Pkg of 10)	
7	4	090038	Rubber bumper (Pkg of 4)	
8	1	050491	Shock absorber	
9	1	090048	Baseplate Bearing Strip (Pkg of 2)	



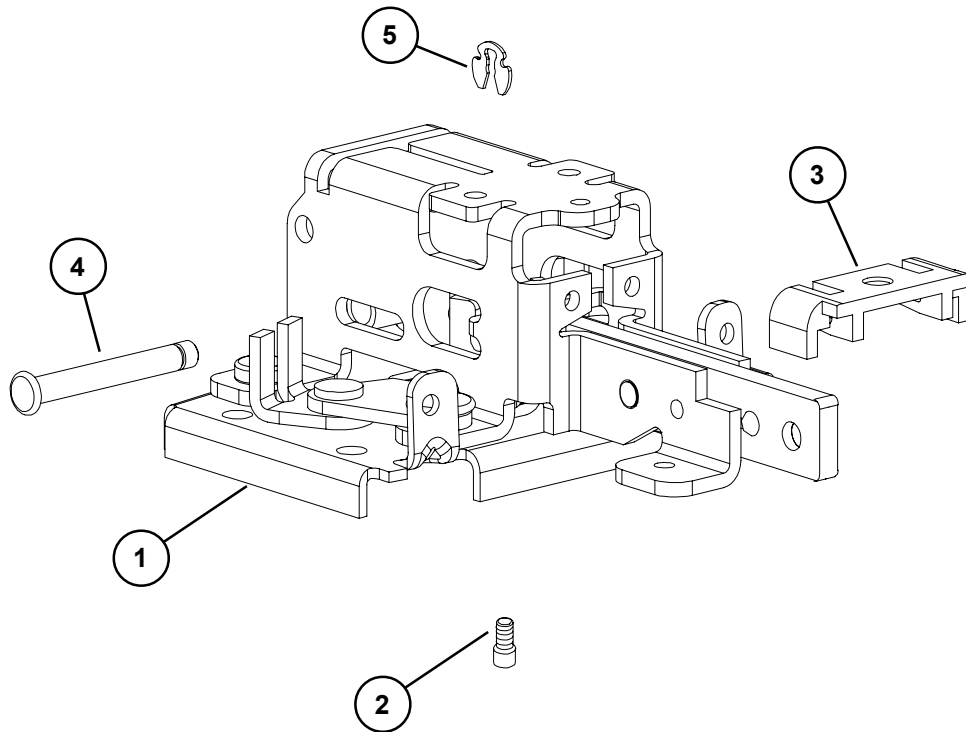
2227-F FIRE DEVICE BASEPLATE ASSEMBLY

Item No.	Quantity	Part No.	Description	Finish
1	4	090038	Rubber bumper (Pkg of 4)	
2	1	090039	Baseplate Return Spring Pkg/10	



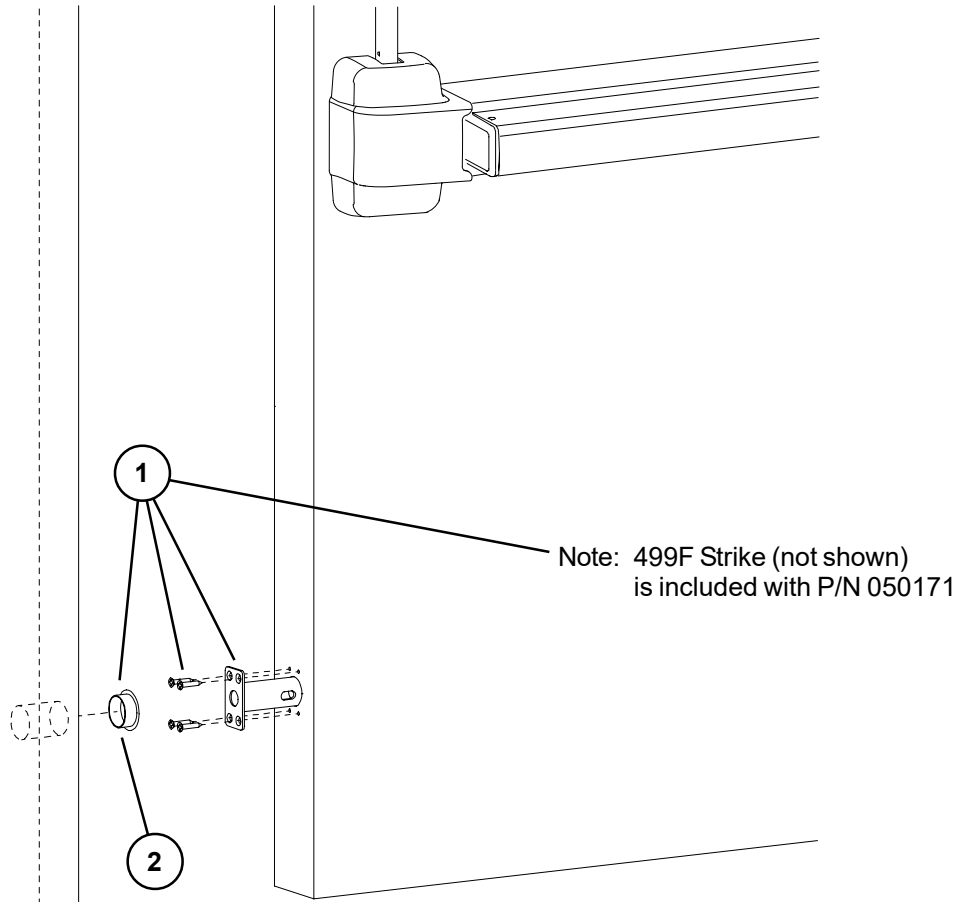
2227 PANIC & 2227-F FIRE DEVICE CENTER CASE ASSEMBLY

Item No.	Quantity	Part No.	Description	Finish
1	1	CASE.107	2227/27-F Center Case Less Cover	
2	1	090074	NL Drive Screw (Pkg of 10)	
3	1	965409	2227/27-F Pushbar Stop	
4	1	090079	2227 Latchbolt Pin Pkg/10	
5	1	090107	Retaining Ring Pkg/10	



2227-F LBR (LESS BOTTOM ROD) FIRE LATCH KIT

Item No.	Quantity	Part No.	Description	Finish
1	1	050171	LBR Fire Latch/Strike kit	
2	1	050509	LBR Fire Strike Plug	



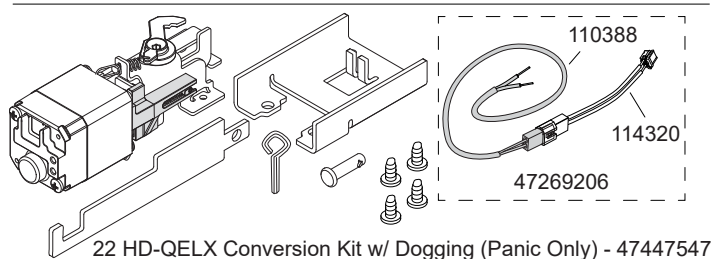
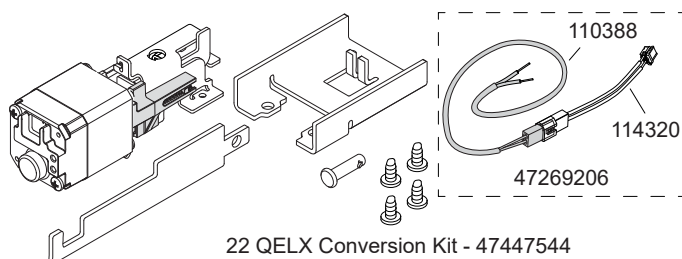
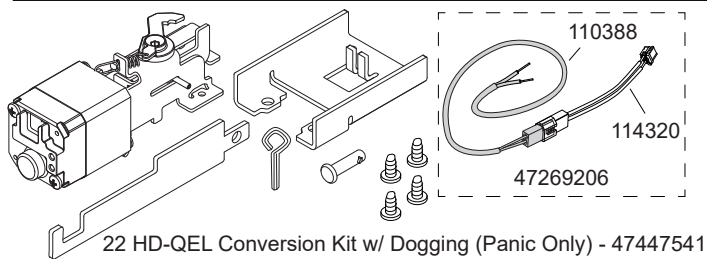
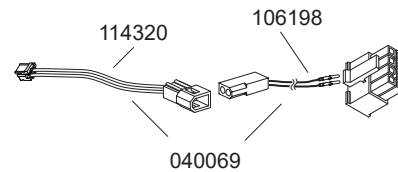
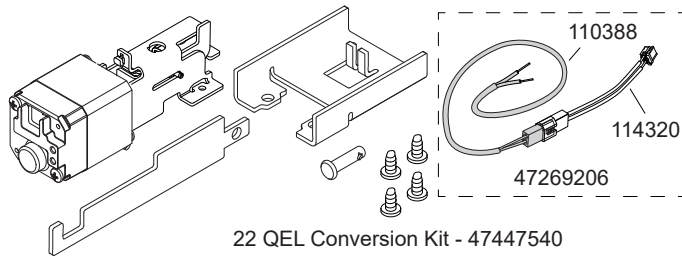
22 SERIES QEL (QUIET ELECTRIC LATCH)

QEL KITS

Part No.	Description	Finish
47447540	22 QEL Conversion Kit	
47447541	22 HD-QEL Conversion Kit w/ Dogging	
47447544	22 QELX Conversion Kit	
47447547	22 HD-QELX Conversion Kit w/ Dogging	

QEL REPLACEMENT PARTS

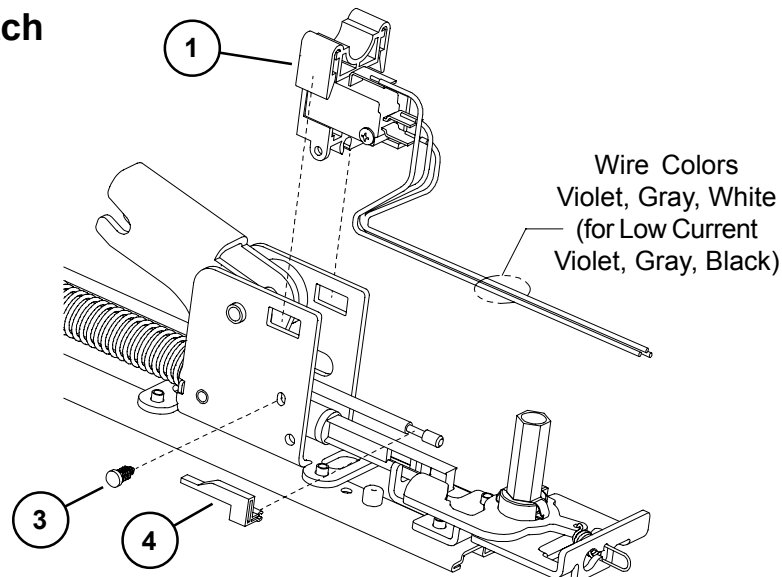
Part No.	Description	Finish
114320	QEL Motor Cable	
47269206	QEL Motor Cable w/ 6' Harness	
040069	QEL Motor Cable w/ QEL CON Adapter Harness	
106198	QEL CON Adapter Harness	
110388	EL Cable Assembly	



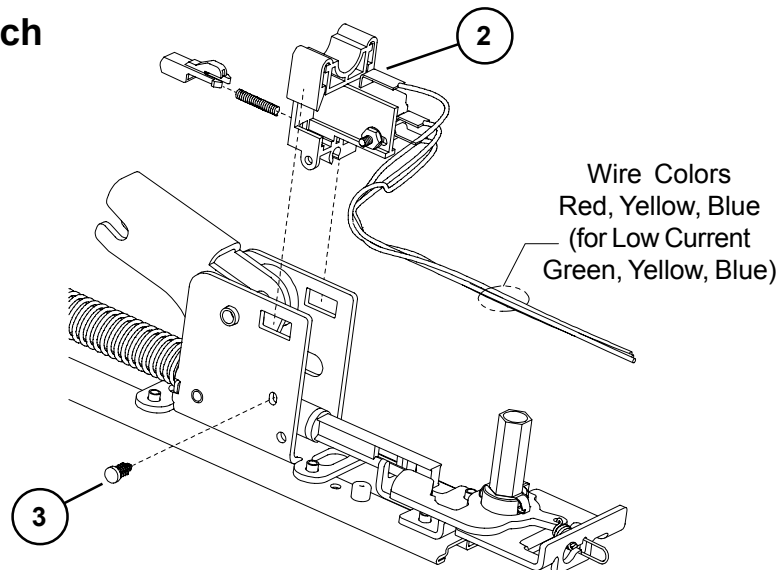
2227 SERIES LX (LATCH BOLT MONITOR) & RX (REQUEST TO EXIT) OPTIONS

Item No.	Quantity	Part No.	Description	Finish
1	1	050254	LX Switch Kit 3' Device	
1	1	050255	LX Switch Kit 4' Device	
1	1	050283	LX-LC (Low Current) Switch Kit 3' Device	
1	1	050285	LX-LC (Low Current) Switch Kit 4' Device	
2	1	050251	RX Switch Kit	
2	1	050281	RX-LC (Low Current) Switch Kit	
3	1	090099	Pine Tree Clip (Pkg of 10)	
4	1	971091	LX Actuator	

LX Switch



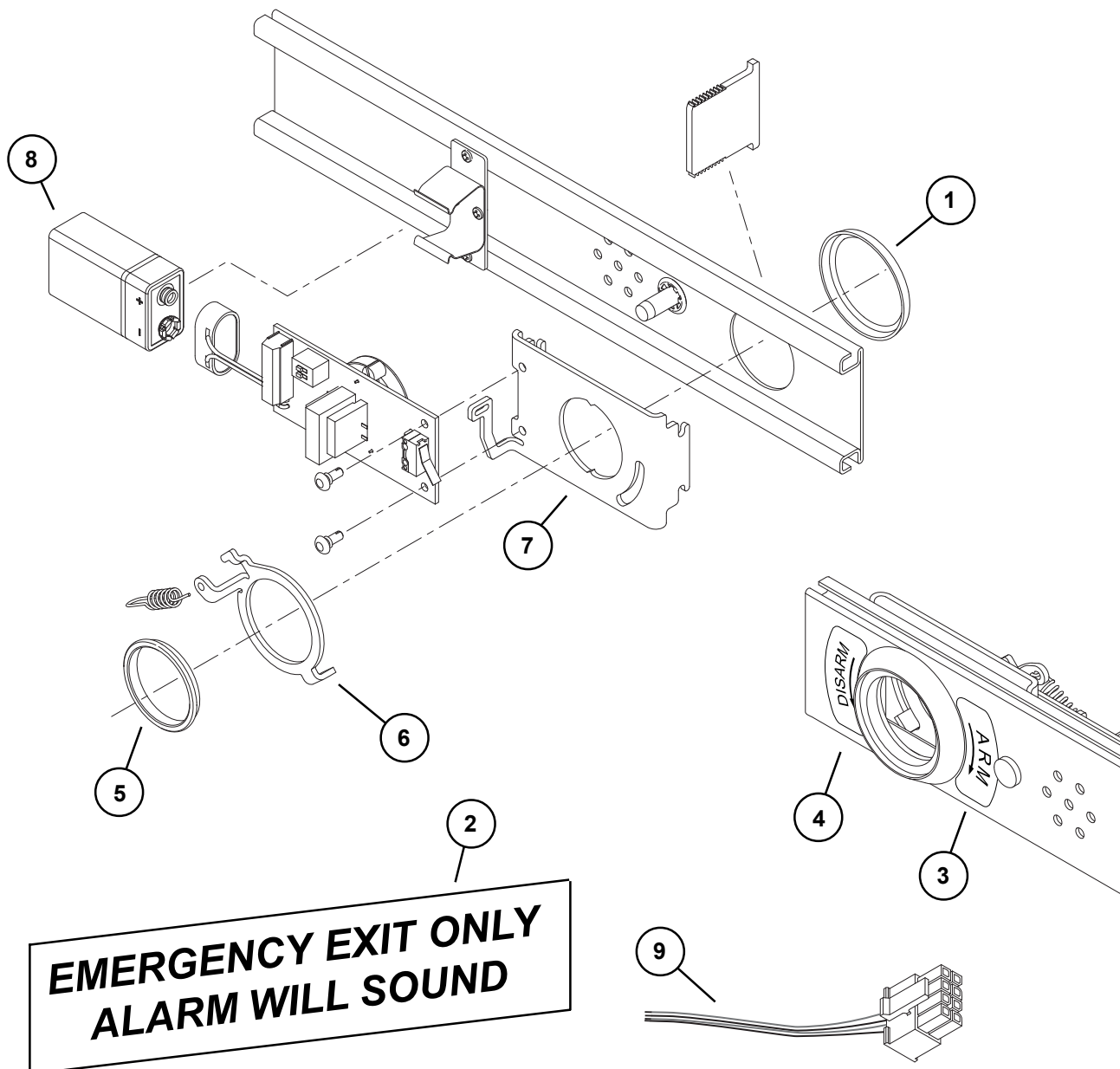
RX Switch



22 SERIES ALK EXIT ALARM KIT

Item No.	Quantity	Part No.	Description	Finish
1	1	967704	ALK Cylinder Collar - 22	X
2	1	SIGN-1	ALK Sign	
3	1	969349	ALK Arming Label	
4	1	969350	ALK Disarming Label	
5	1	969354	ALK Retainer Nut	
6	1	47268870	ALK Switch Actuator	
7	1	47270435	ALK Cylinder Bracket	
8	1	990637	ALK Battery	
9	1	106182	ALK CON Adapter Harness	

X in "Finish" column designates finished items; finish must be specified when ordering.



About Allegion

Allegion (NYSE: ALLE) creates peace of mind by pioneering safety and security. As a \$2 billion provider of security solutions for homes and businesses, Allegion employs more than 7,800 people and sells products in more than 120 countries across the world. Allegion comprises 23 global brands, including strategic brands CISA®, Interflex®, LCN®, Schlage® and Von Duprin®.

For more, visit www.allegion.com.

aptiQ ■ LCN ■ **SCHLAGE** ■ STEELCRAFT ■ VON DUPRIN