

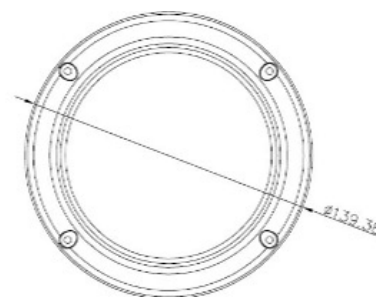
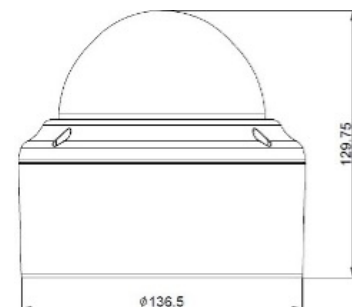
Overview

- Face, People and Car Detection 5 Megapixel
- Day & Night with Superior Low Light Sensitivity and Adaptive IR LED
- 5x Zoom Lens with f2.7-13.5/F1.4-F3.3, Auto focus (for installation)
- Extreme WDR
- H.265 Compression Wide Angle
- Event trigger, response and notification



Technical Specifications

Device	
Image Sensor:	Progressive Scan CMOS
Min Illumination:	Color: 0.2 lux; B/W: 0.02 lux
Shutter Time:	1/5-1/64000 second (manual mode); 1/5-1/64000 second (auto mode)
Lens:	F1.4-F3.3
WDR:	Extreme WDR (125 dB)
Zoom:	5x Optical
Angle of View :	H: 96.8°- 30.7°, V: 70.4°- 23.1°
3-Axis Adjustment :	
Day & Night:	Yes
IR Range:	Up to 30m
Compression Standard	
Video Compression:	H.265, H.264 (Main profile), MJPEG
Video Bit Rate:	Constant, Variable
Multi-Streaming:	Simultaneous triple streams based on three configurations
Audio Compression	8 kHz, Mono, G.711
Analytics:	People Detection*, Car Detection*, Face Detection*, Crowd Detection*, Tampering Detection, People Line Crossing Detection*, People Enter Area Detection*, People Exit Area Detection*, Vehicle Line Crossing Detection*, Vehicle Enter Area Detection*, Vehicle Exit Area Detection*, People Loitering Detection*, Vehicle Loitering Detection* (* To be available through future firmware upgrade)
Image	
Max. Image Resolution:	2560 x 1920
Frame Rate:	30 fps at (2560 x 1920, 2048 x 1536, 1920 x 1080, 1280 x 960, 1280 x 720, 800 x 600, 720 x 480, 640 x 480, 320 x 240)
Image Setting:	White Balance, Brightness, Backlight compensation, Contrast, Saturation, Sharpness, Automatic gain control, Flickerless, Digital Image Stabilizer (DIS, EIS), Defogging



Technical Specifications

Network	
Protocols:	IPv4/v6, TCP, UDP, DHCP, PPPoE, HTTP, HTTPS, DNS, DDNS, NTP, RTP, RTSP, RTCP, SMTP, FTP, IGMP, ICMP, ARP, Bonjour, UPnP, QoS, SNMP, IEEE 802.1X
Security	IP address filtering, HTTPS encryption, Password protected user level, Anonymous login
Analytics and Alarm Trigger	Video motion detection (3 regions), External device through digital input, Sound detection, Tampering detection
Interface	
Communication Interface:	1 x Ethernet (10/100 Base-T), RJ-45 connector
Local Storage:	MicroSDHC, MicroSDXC memory card slot (card not included)
Audio Type	2-way, Mic-in, Line-in, Line-out
Audio:	8 kHz, Mono, G.711
General	
Operating Conditions:	Temperature: -40°C ~ 50°C (-40°F ~ 122°F) Humidity: 20% - 80% RH
Power Consumption:	12.95 W (PoE)
Power Supply:	DC 12V, PoE Class 3 (IEEE802.3af)
Weather Proof Rating:	IP66
Vandal Resistant:	IK10
Dimensions:	(Ø x H): 139.38mm x 129.75mm (5.48" x 5.10")
Software:	Includes Video Insight VMS License
Warranty:	4 Year Advanced Replacement
Accessories	<div style="display: flex; justify-content: space-around; align-items: flex-start;"> <div style="text-align: center;"> <p>B-0113-PDT</p>  </div> <div style="text-align: center;"> <p>B-0321-WM</p>  </div> <div style="text-align: center;"> <p>B-0813-GBA</p>  </div> </div>