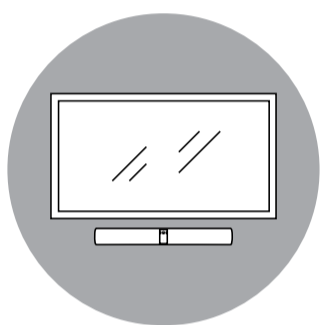
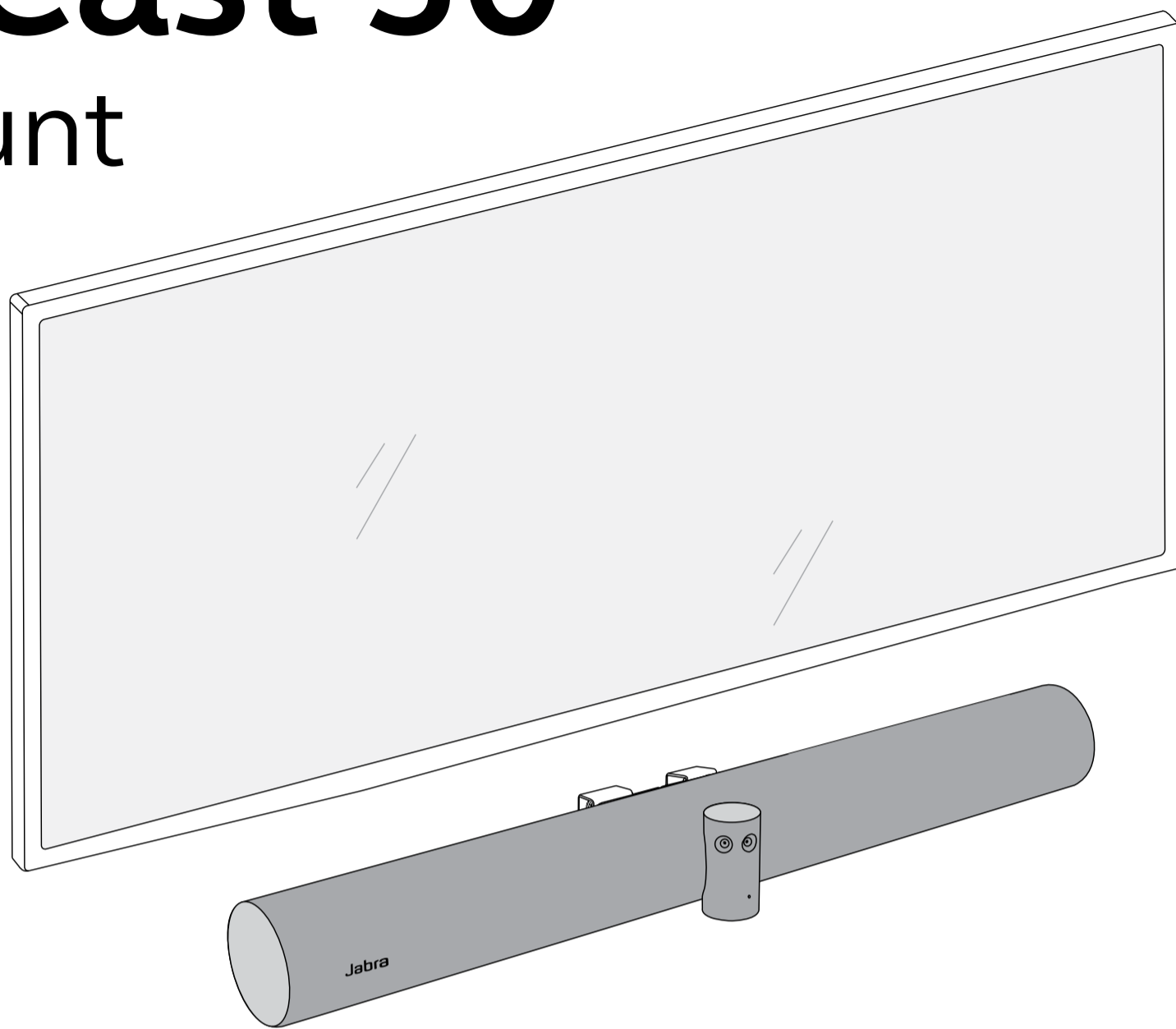


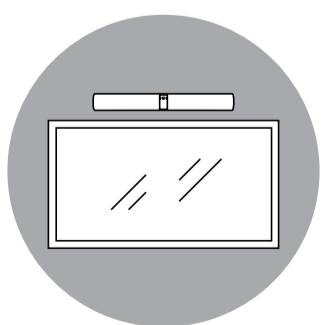
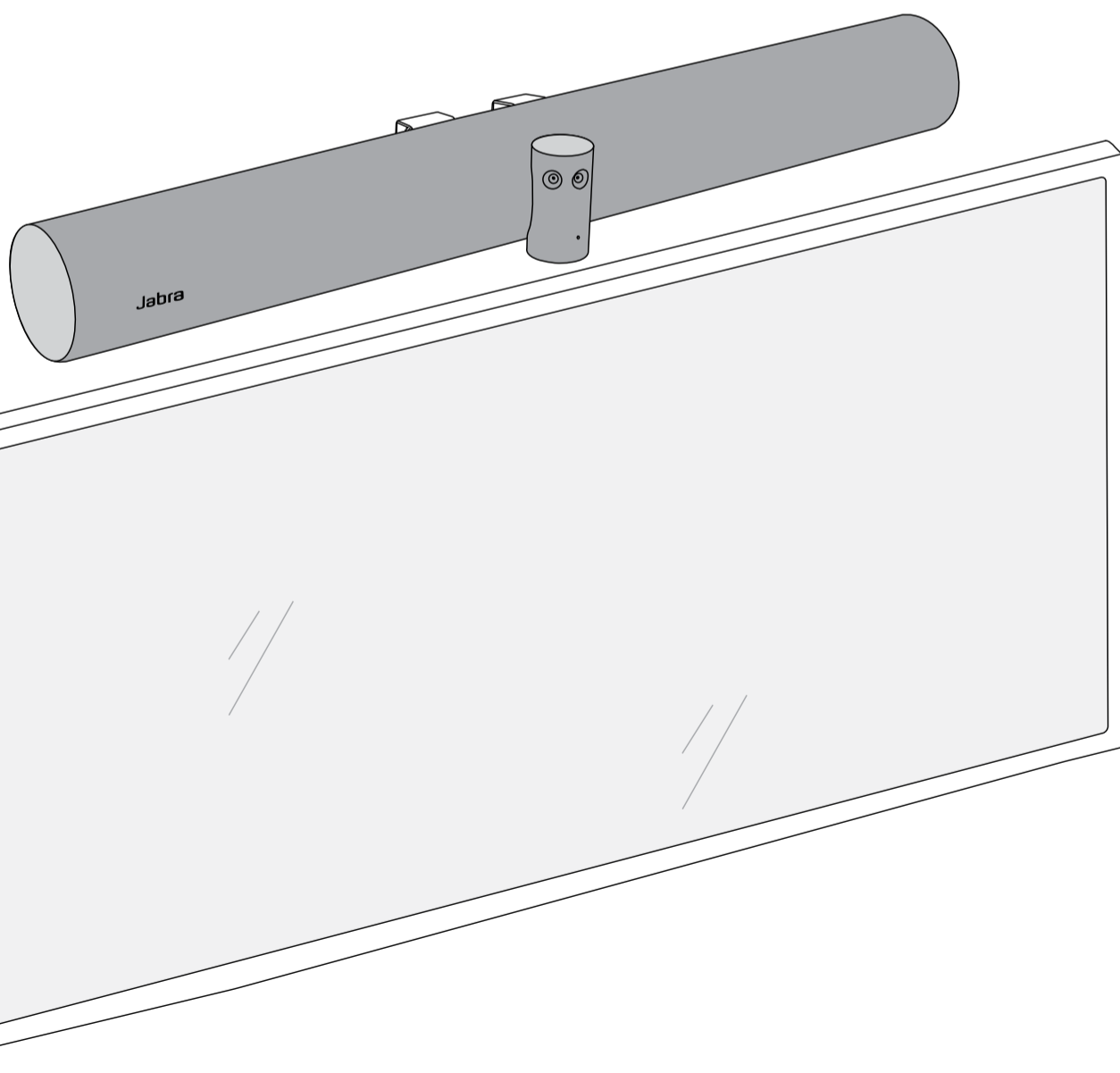
# PanaCast 50

## Wall Mount



**Install below screen**

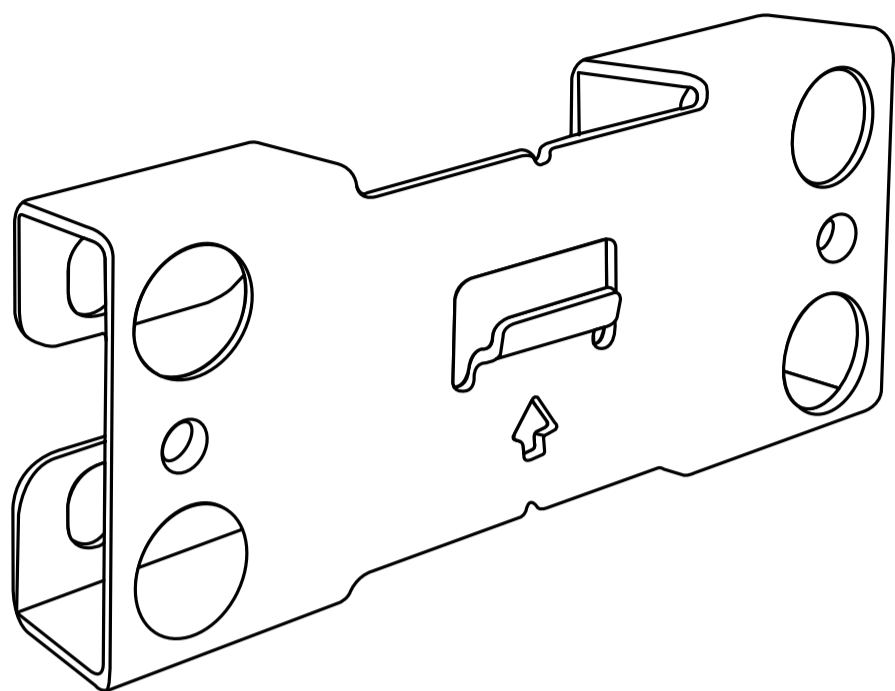
Start from page 1 →



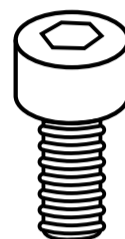
**Install above screen**

Start from page 6 →

## Items included

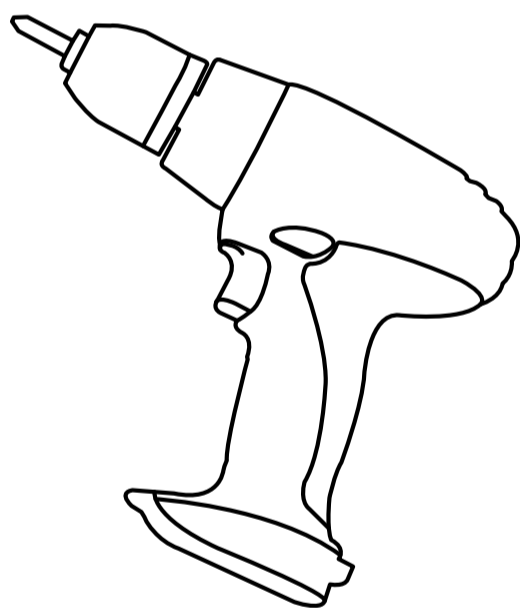


Wall Mount

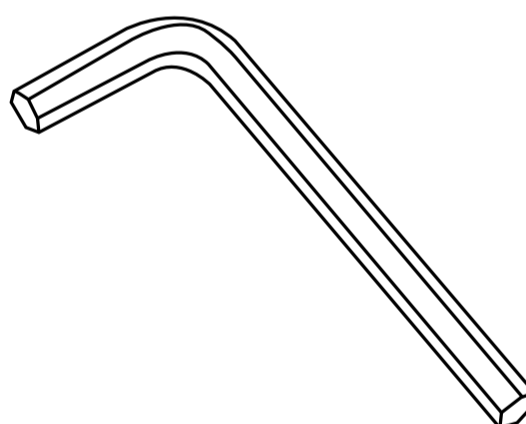


M5x12 Screws  
(2 pcs)

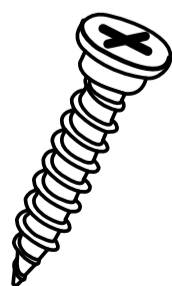
## Tools needed (not supplied in the pack)



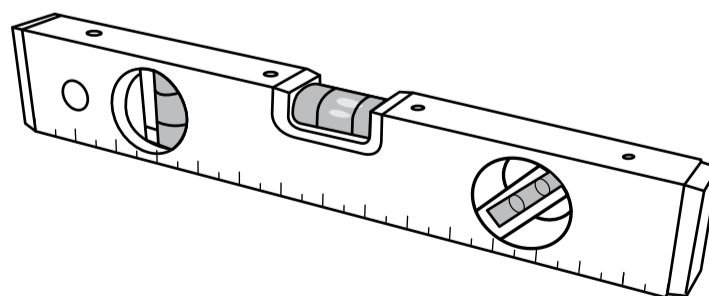
Drill



4mm hex key



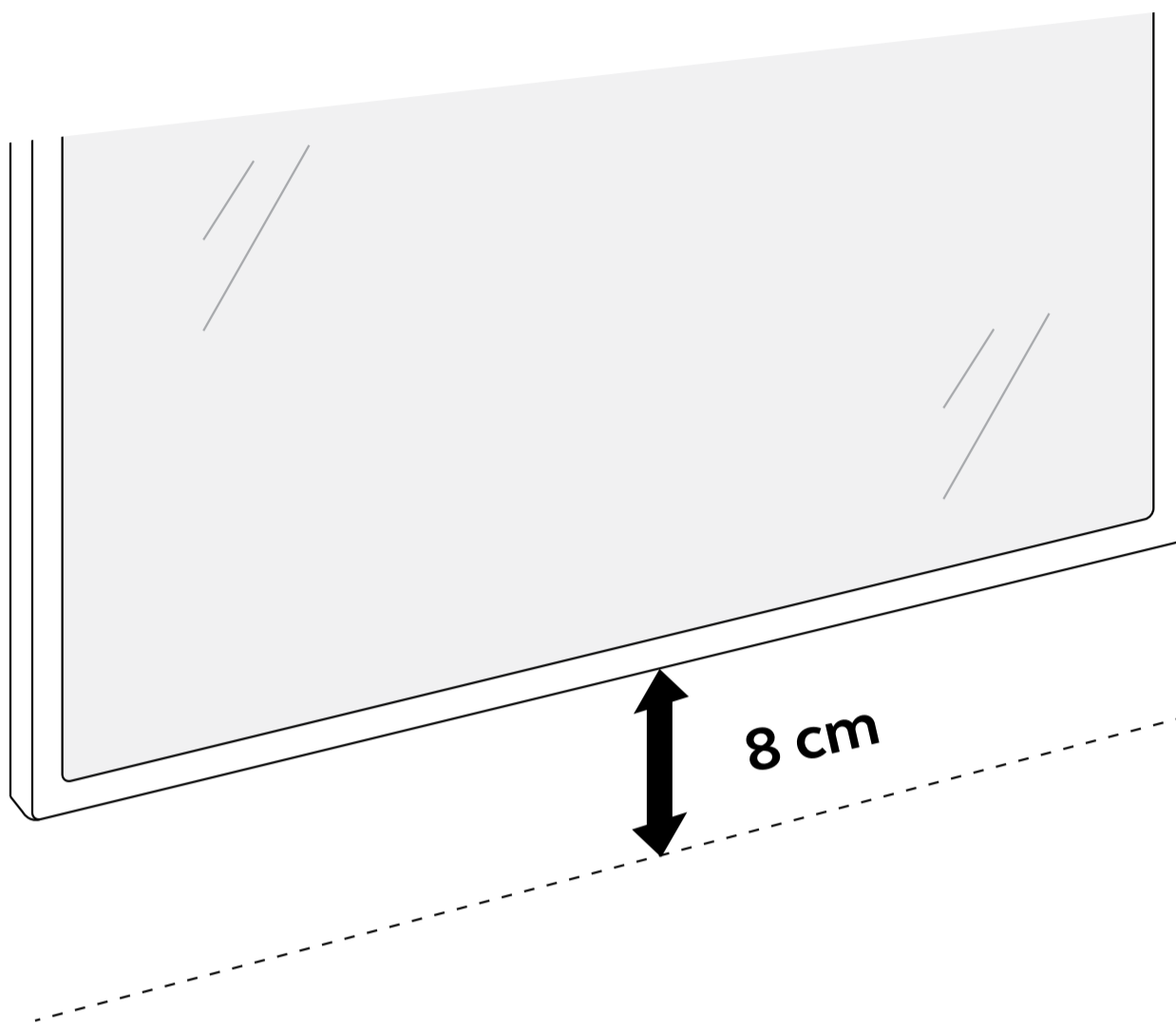
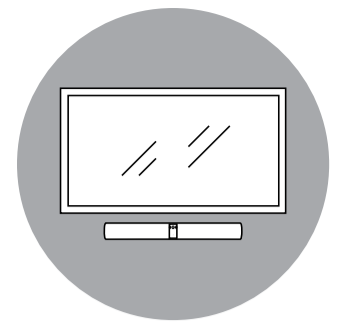
Wall screws



Level

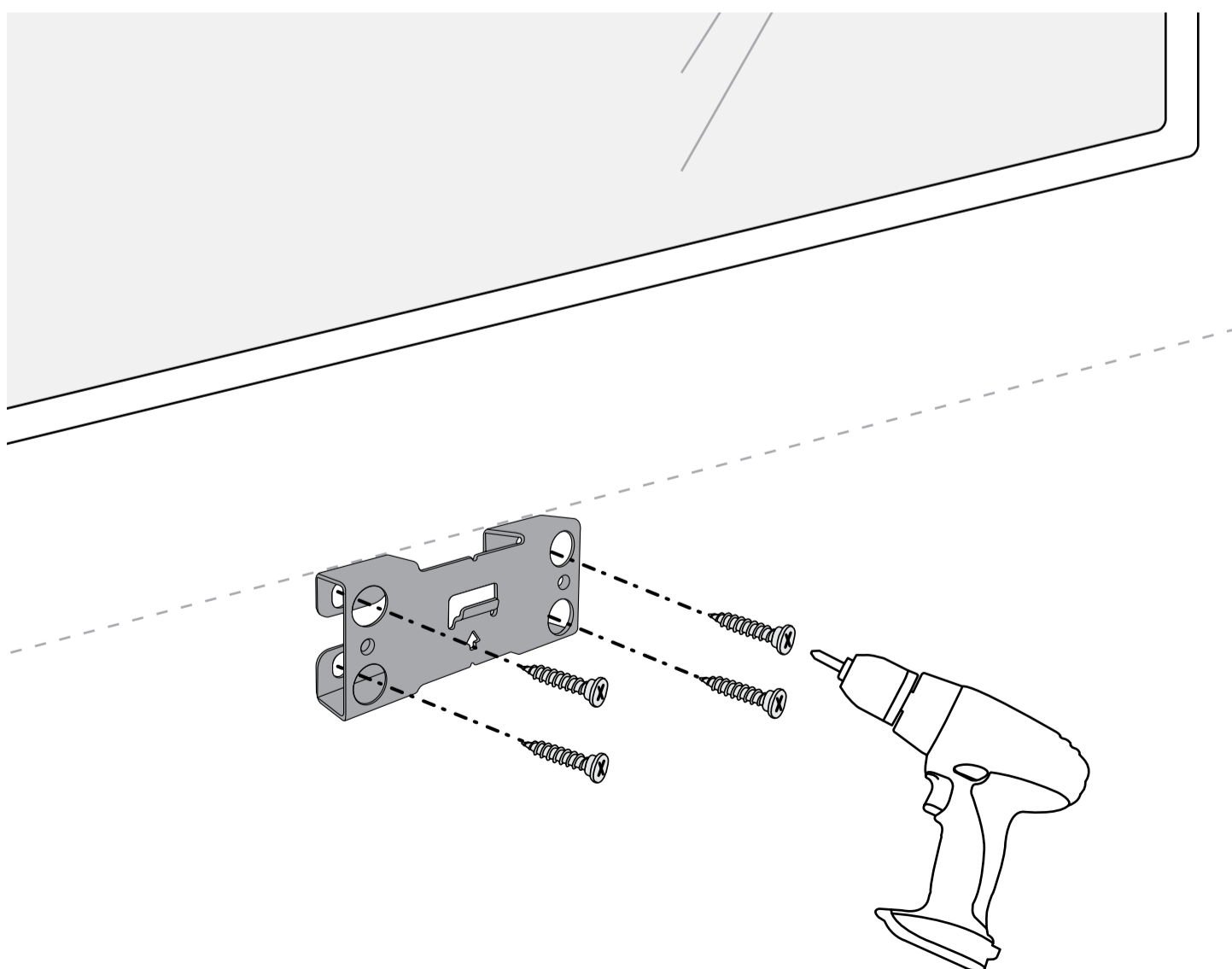
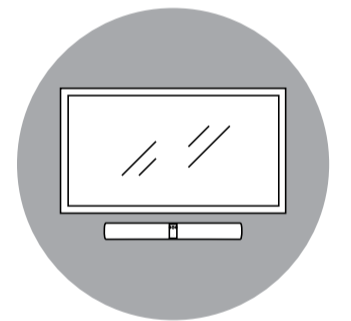
1

Measure **8cm** below the screen for Wall Mount placement. The top of the **Wall Mount** will align with the 8cm.



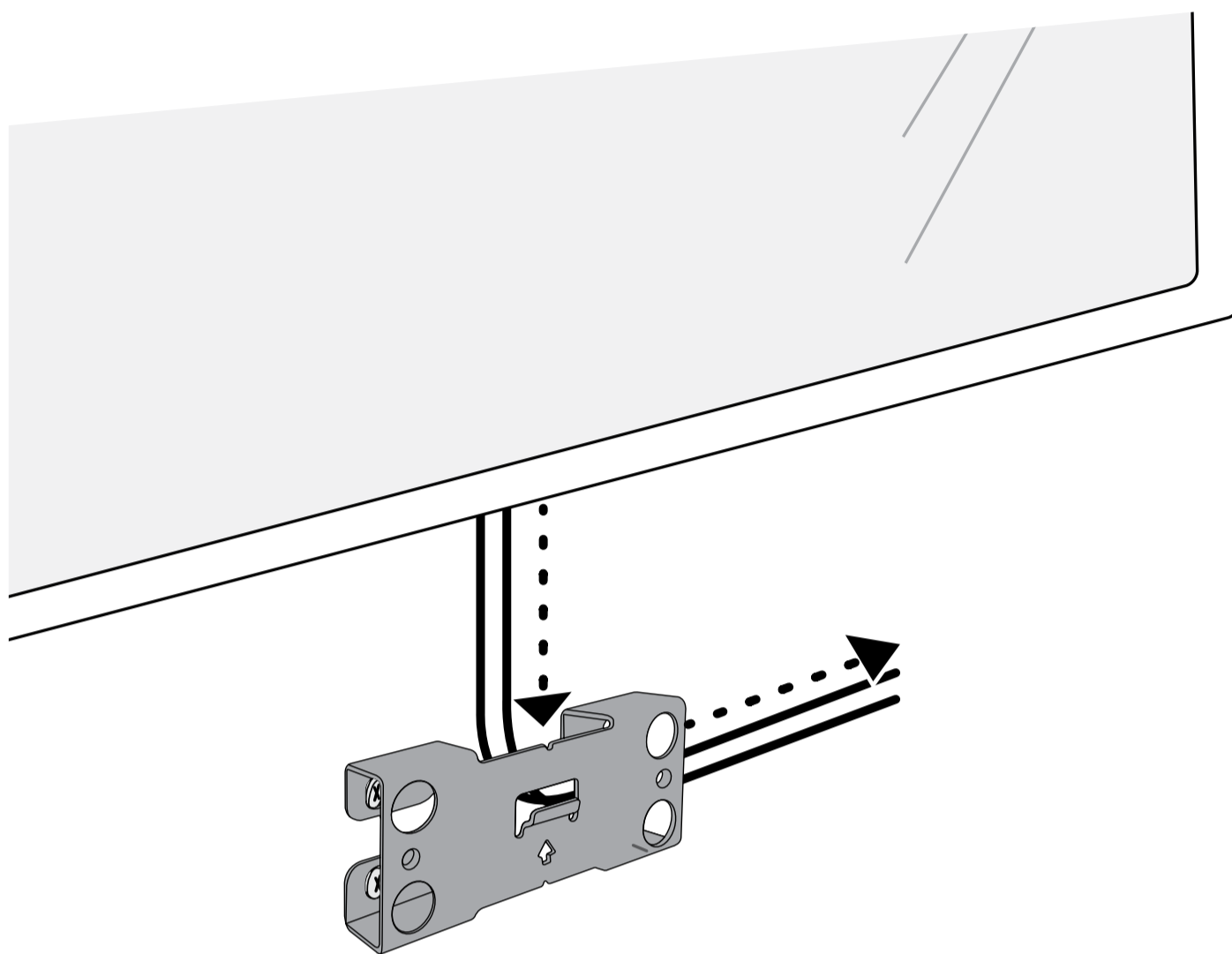
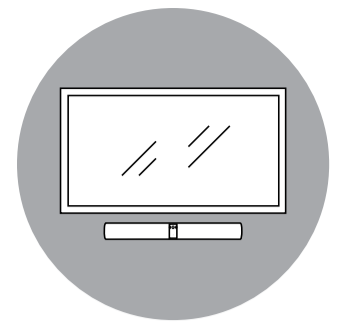
2

Screw the **Wall Mount** to the wall using a drill (screws not supplied).



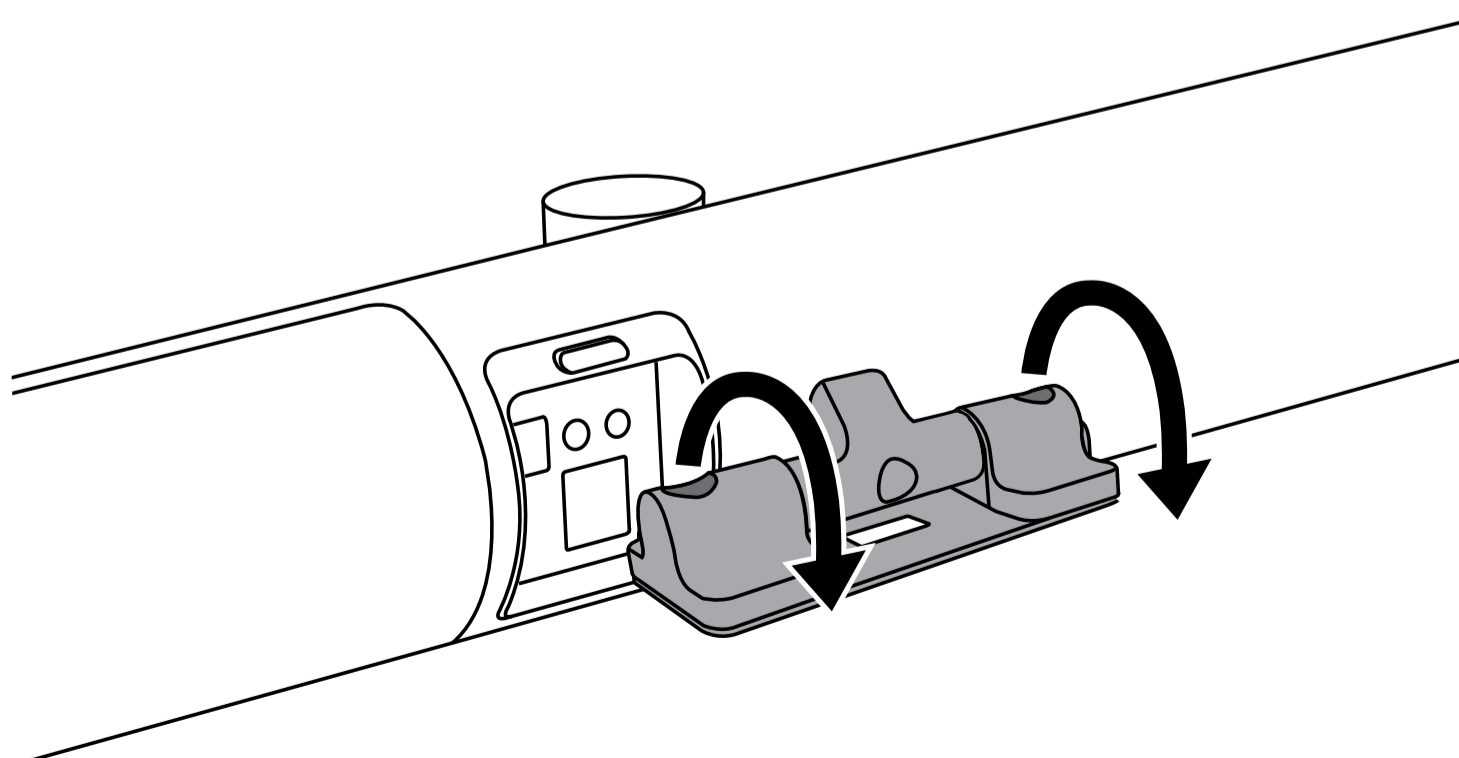
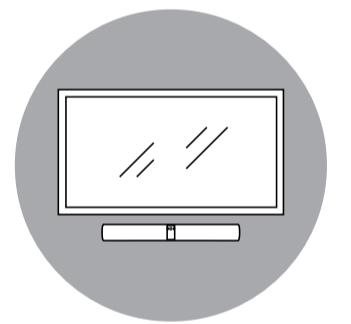
3

Route all relevant cables through the Wall Mount and to the right.



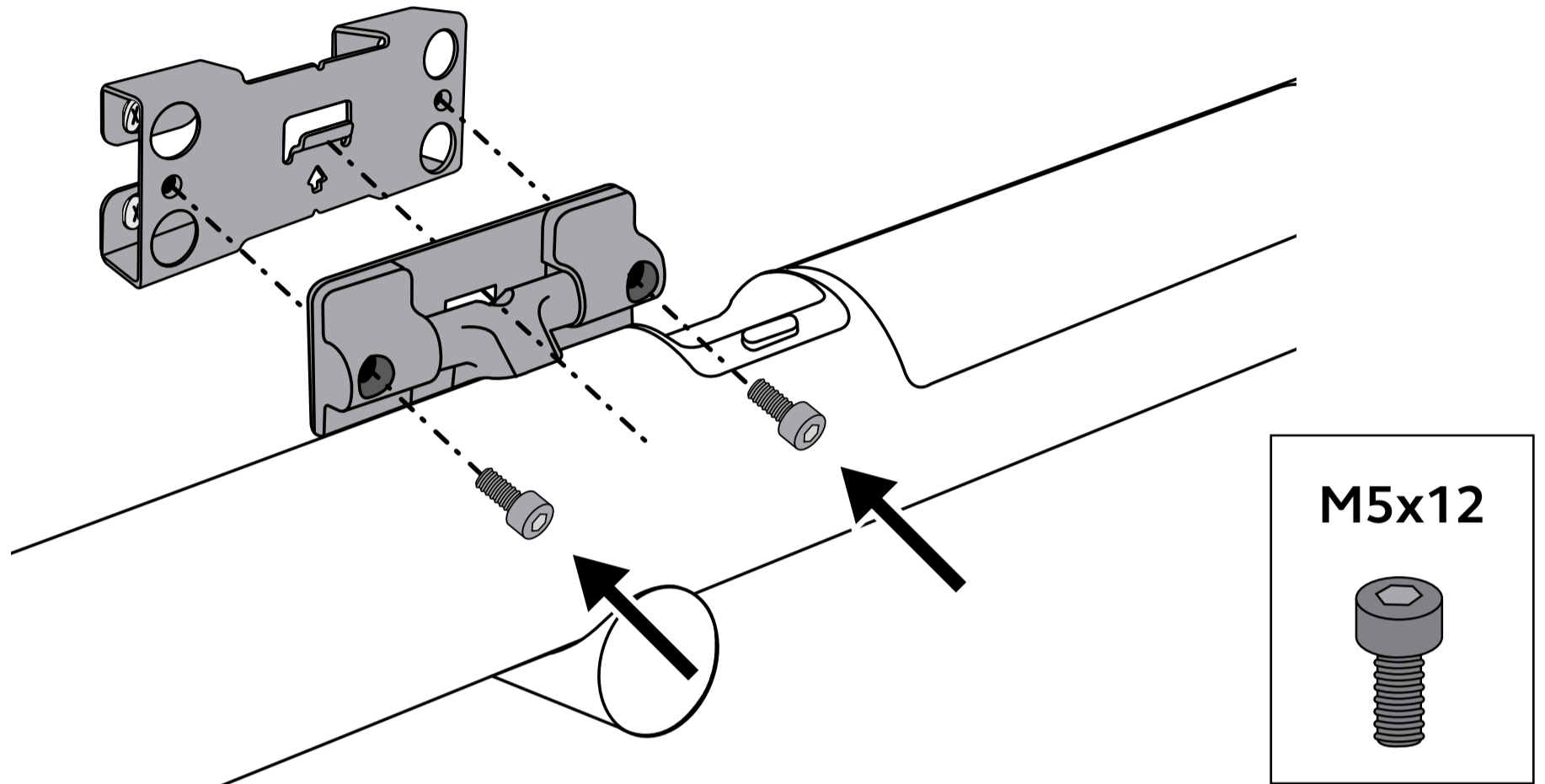
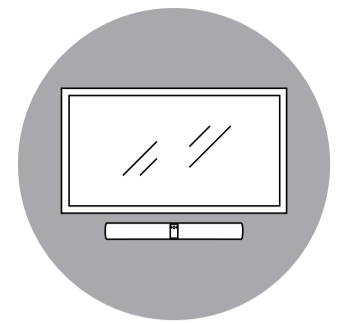
4

Tilt the hinge on the PanaCast 50 for easy access to the screw holes.



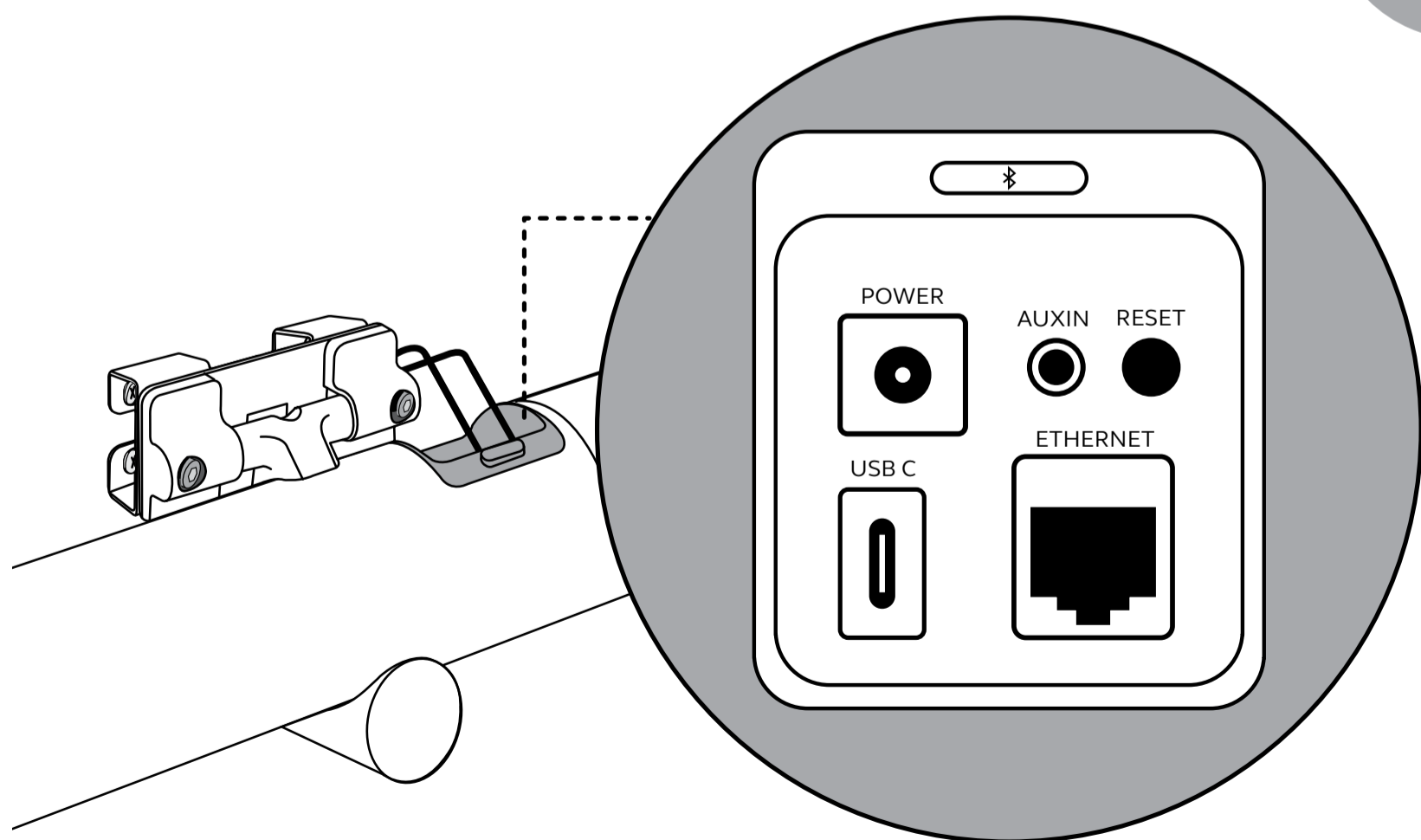
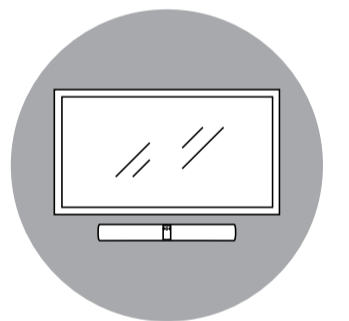
5

Mount and screw the PanaCast 50 to the Wall Mount using the supplied **M5x12 screws** and a **4mm hex key**.



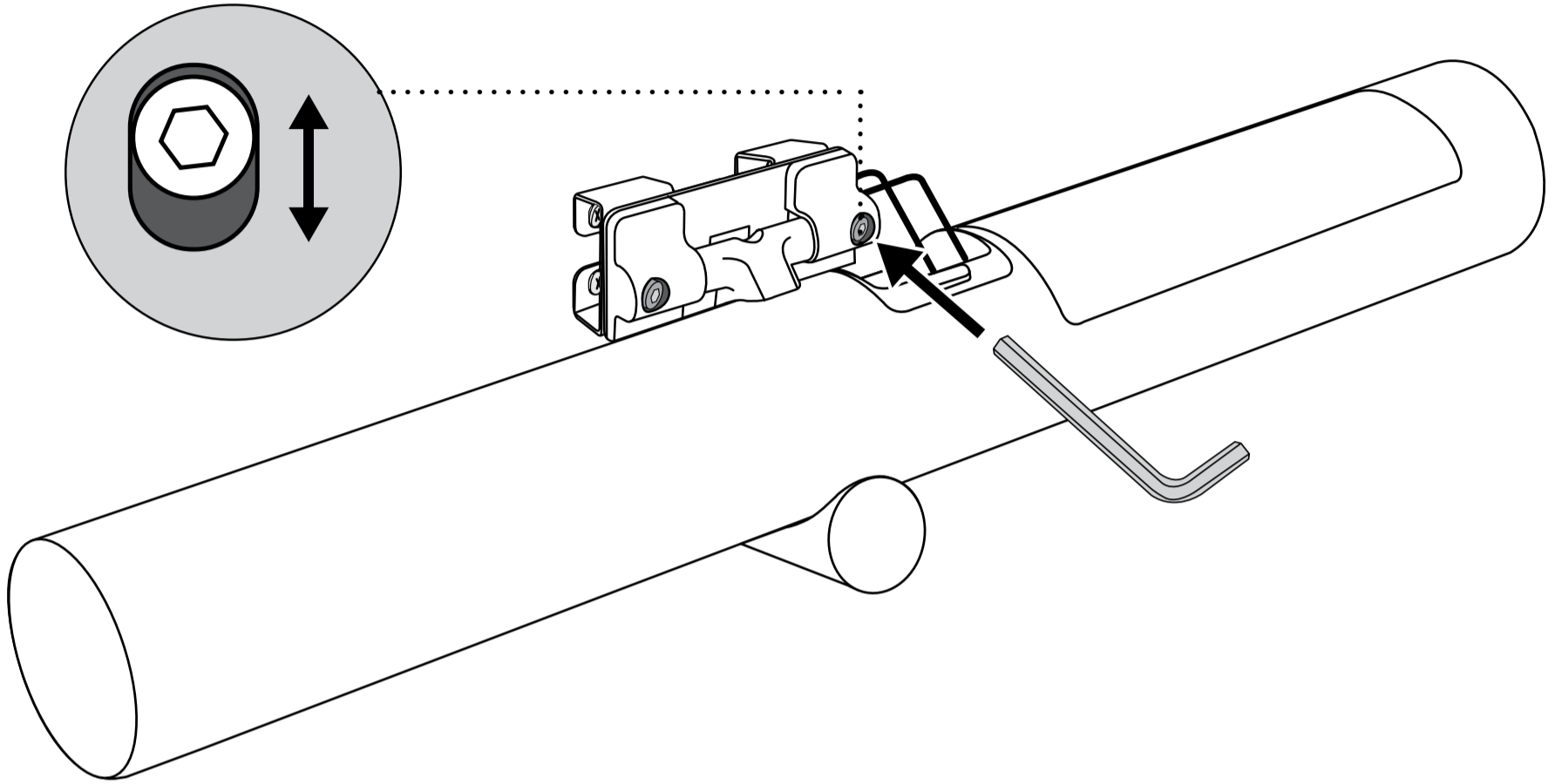
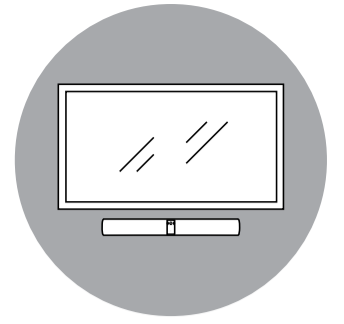
6

Attach the relevant cables to the PanaCast 50.



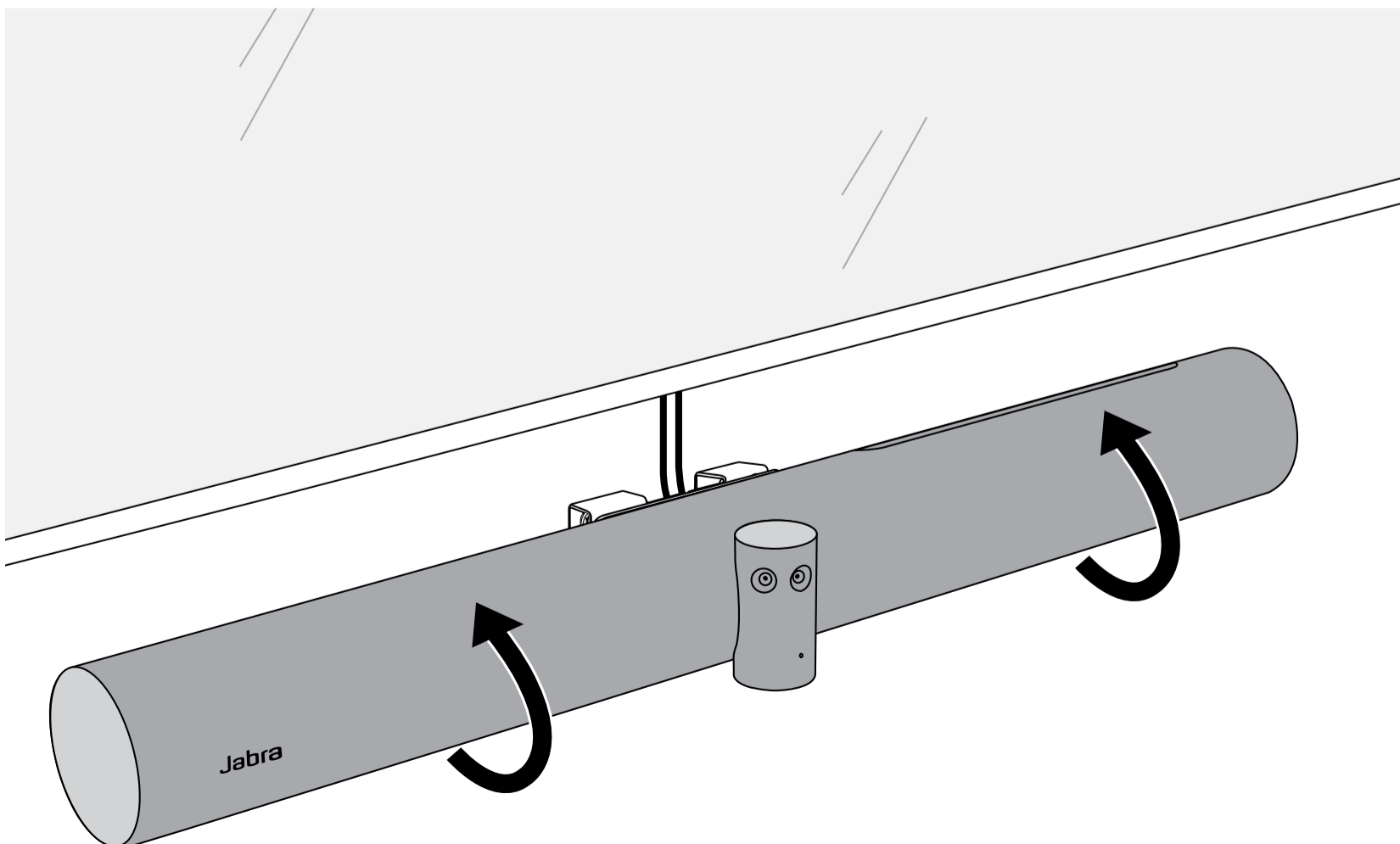
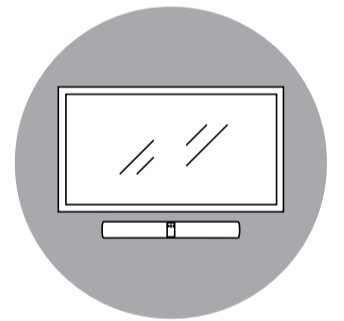
7

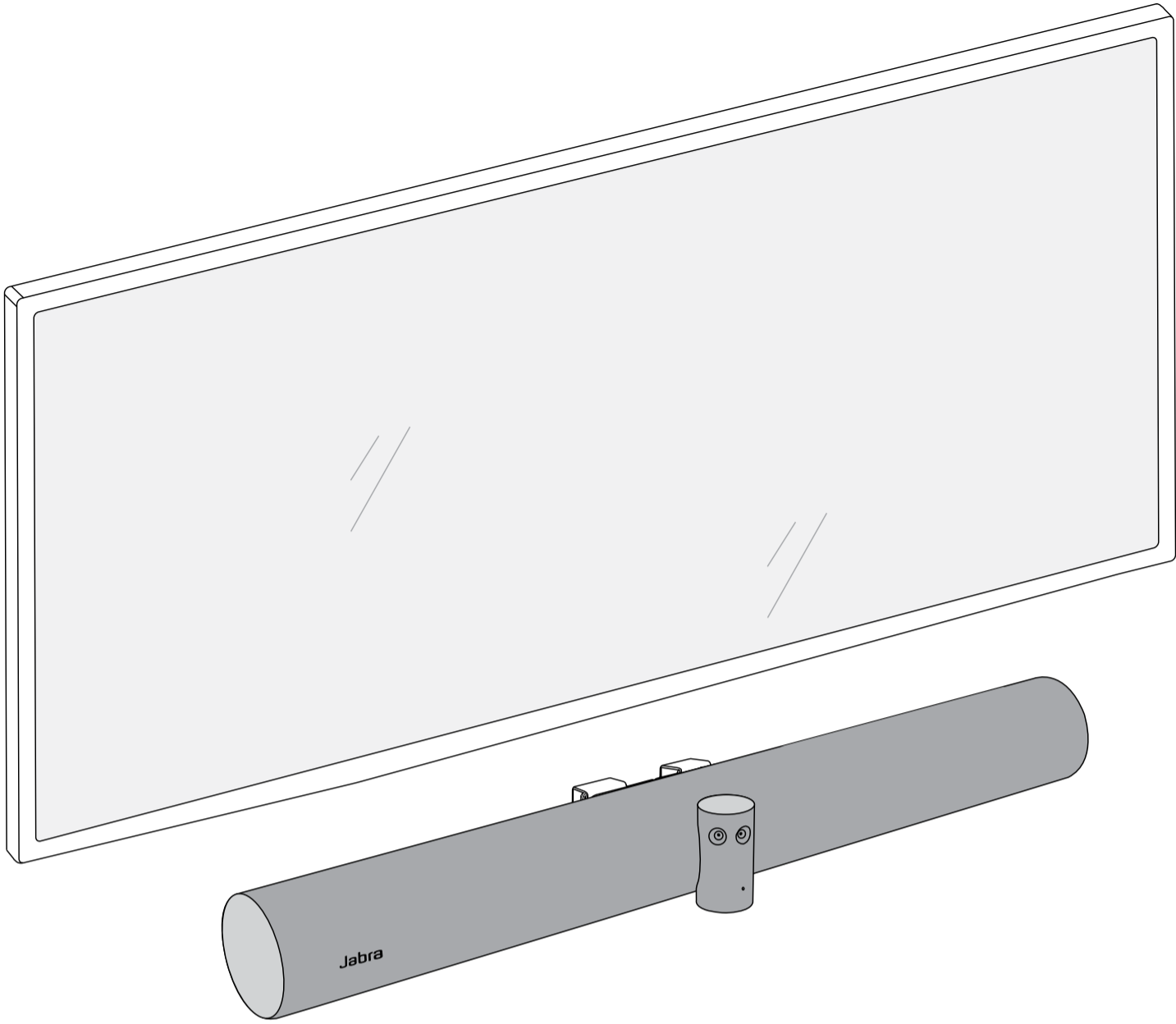
If the PanaCast 50 is not level, adjust the angle by loosening the right screw, levelling and re-tightening the screw.



8

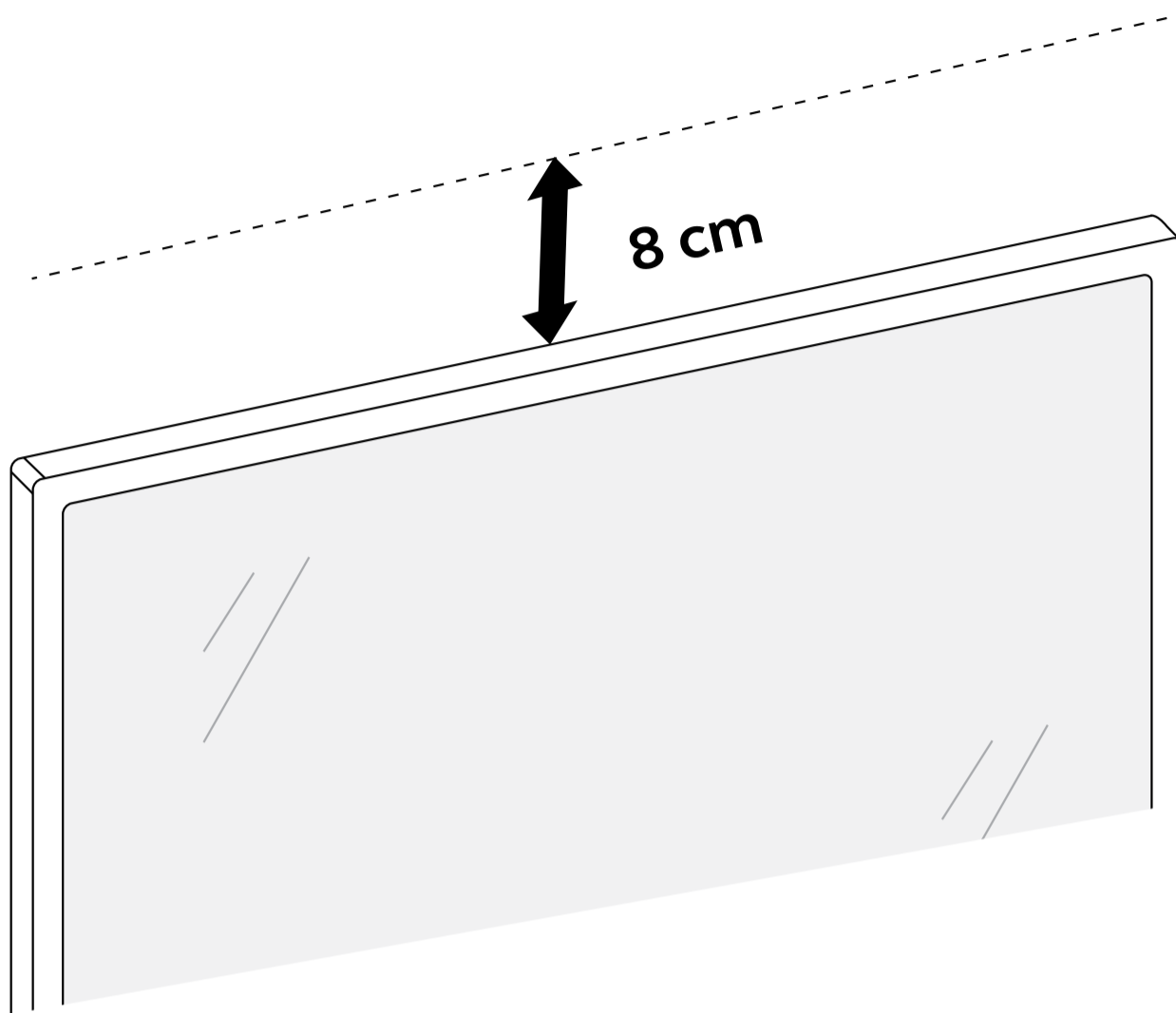
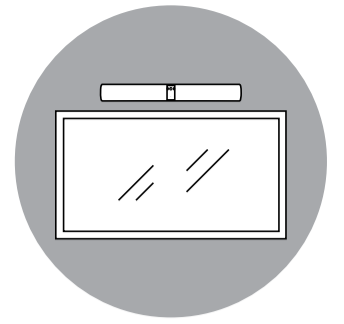
Rotate the PanaCast 50 into its final position and angle the camera to point at eye-level.





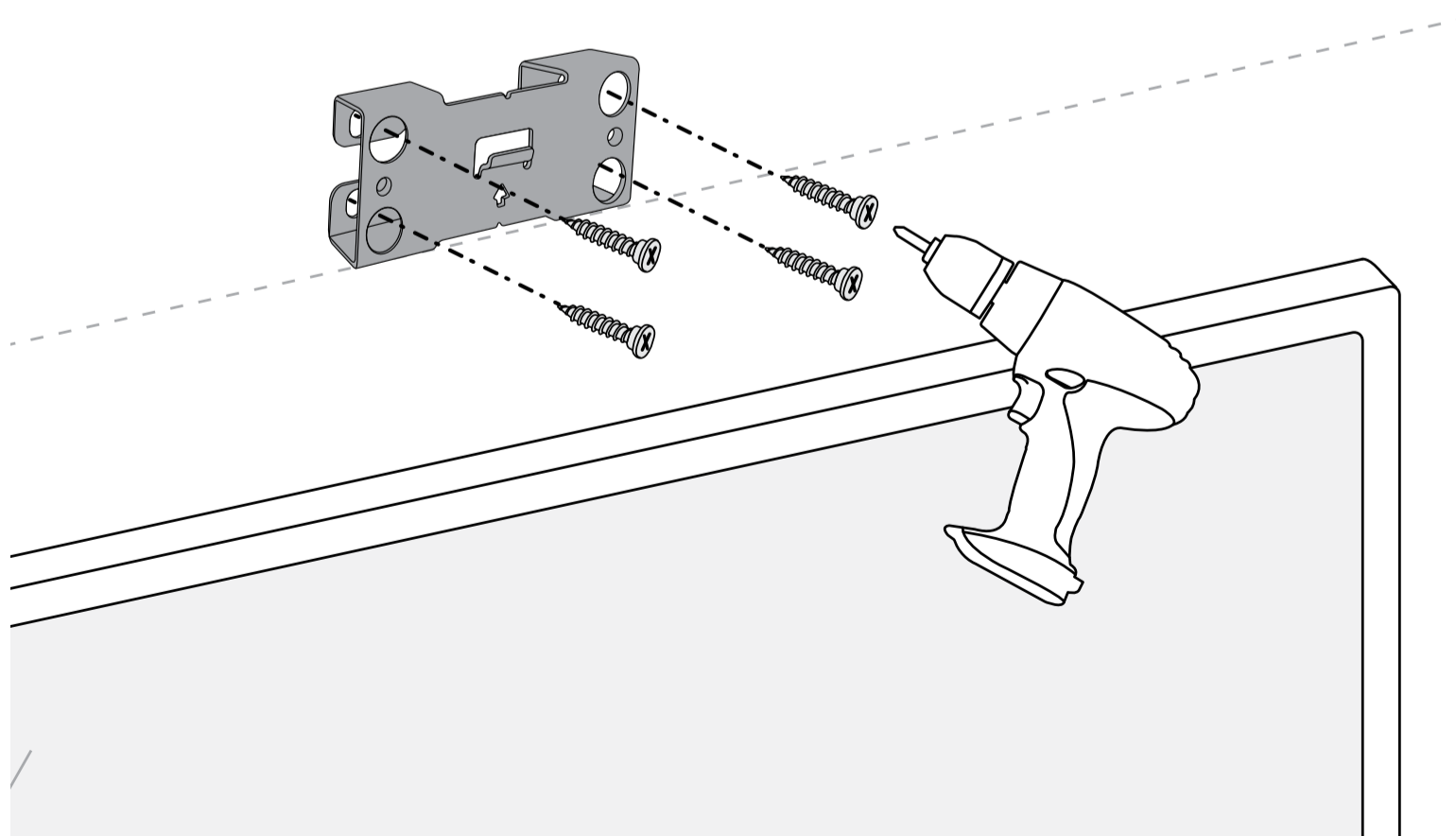
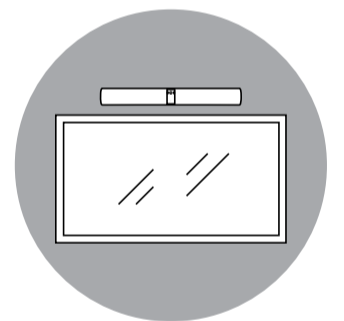
1

Measure **8cm** above the screen for Wall Mount placement. The bottom of the **Wall Mount** will align with the 8cm.



2

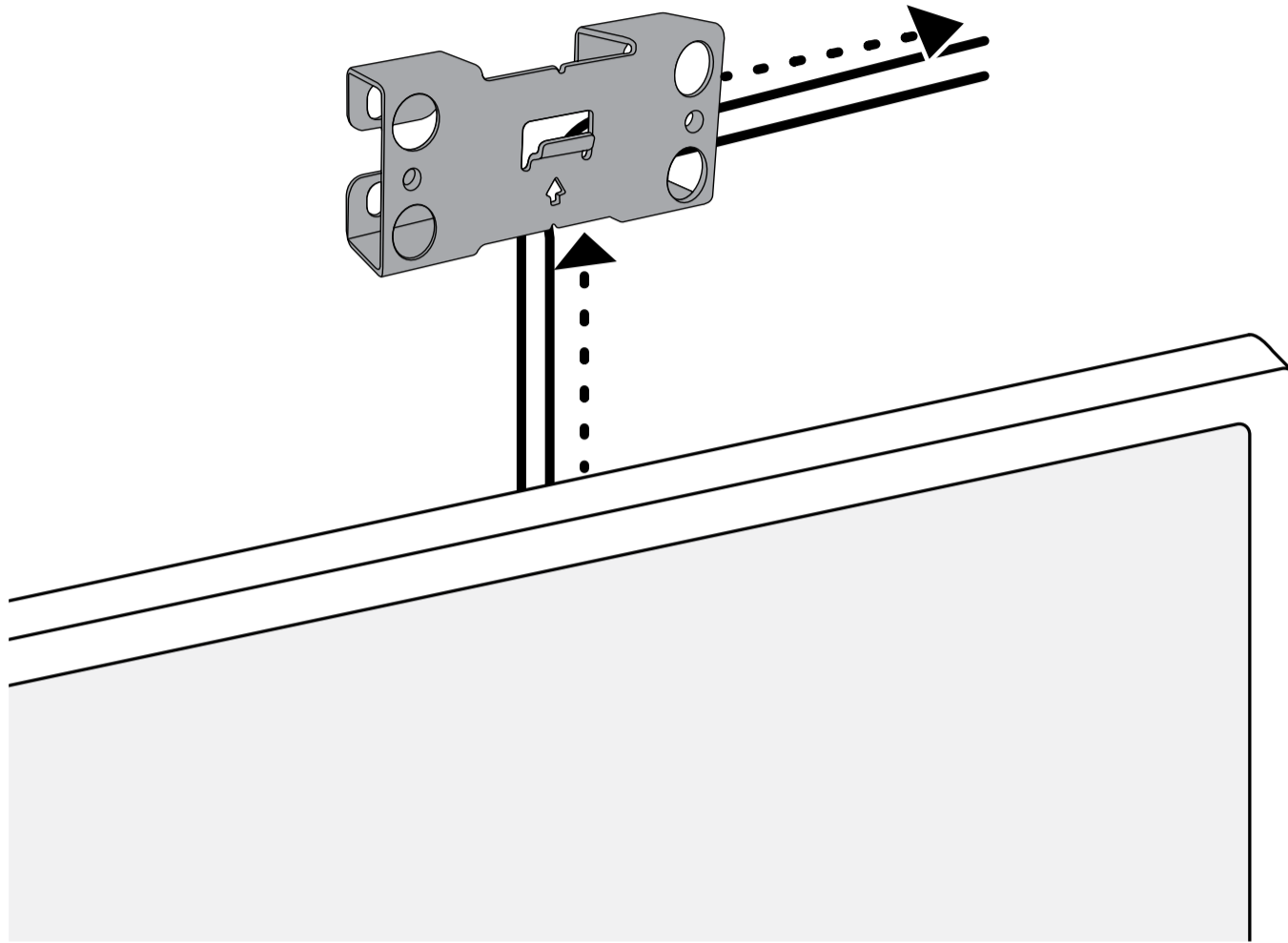
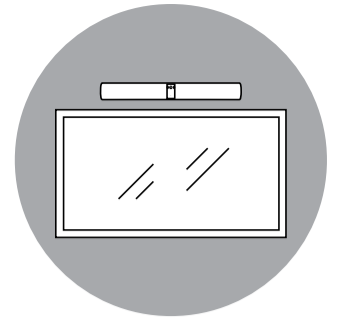
Screw the **Wall Mount** to the wall using a drill (screws not supplied).





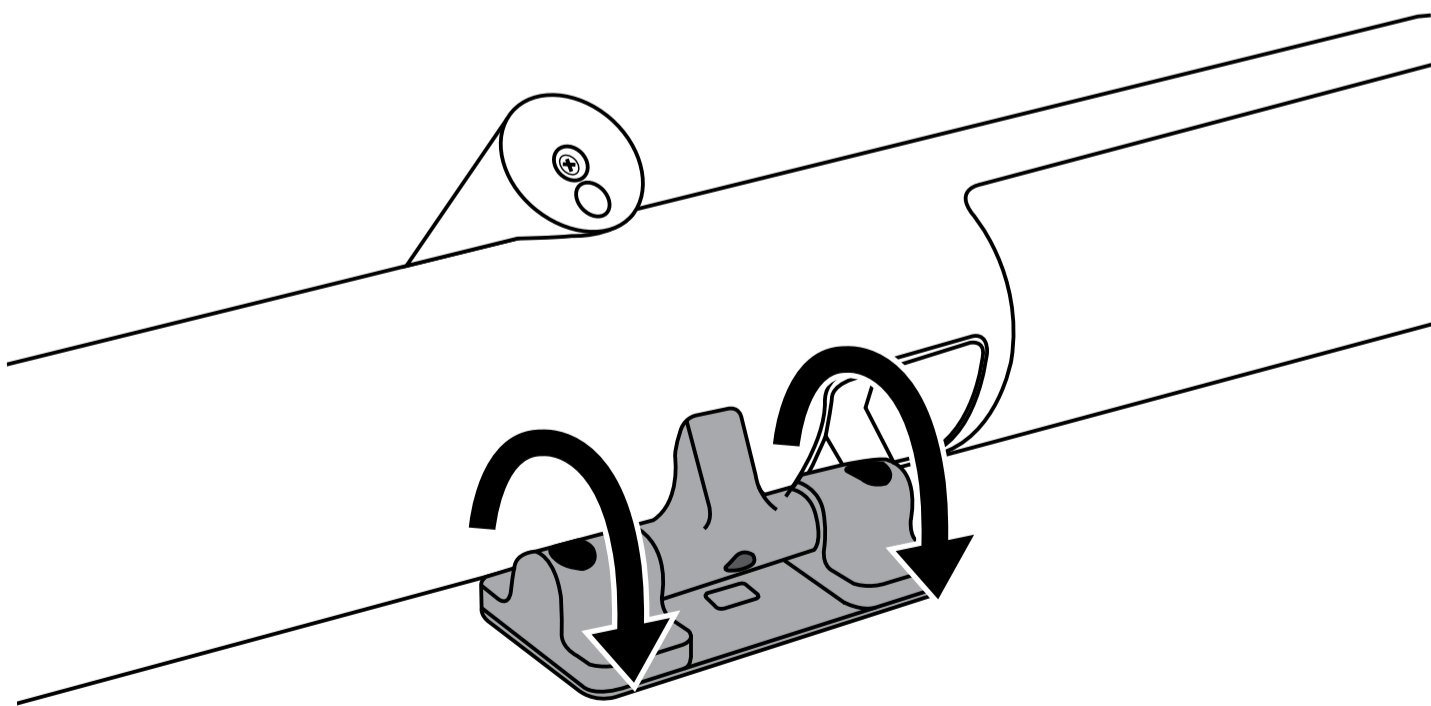
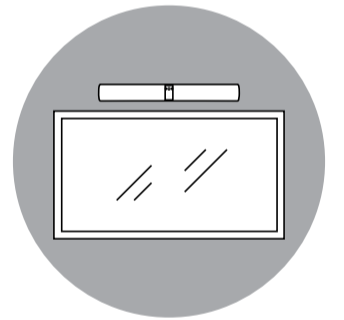
3

Route all relevant cables through the Wall Mount and to the right.



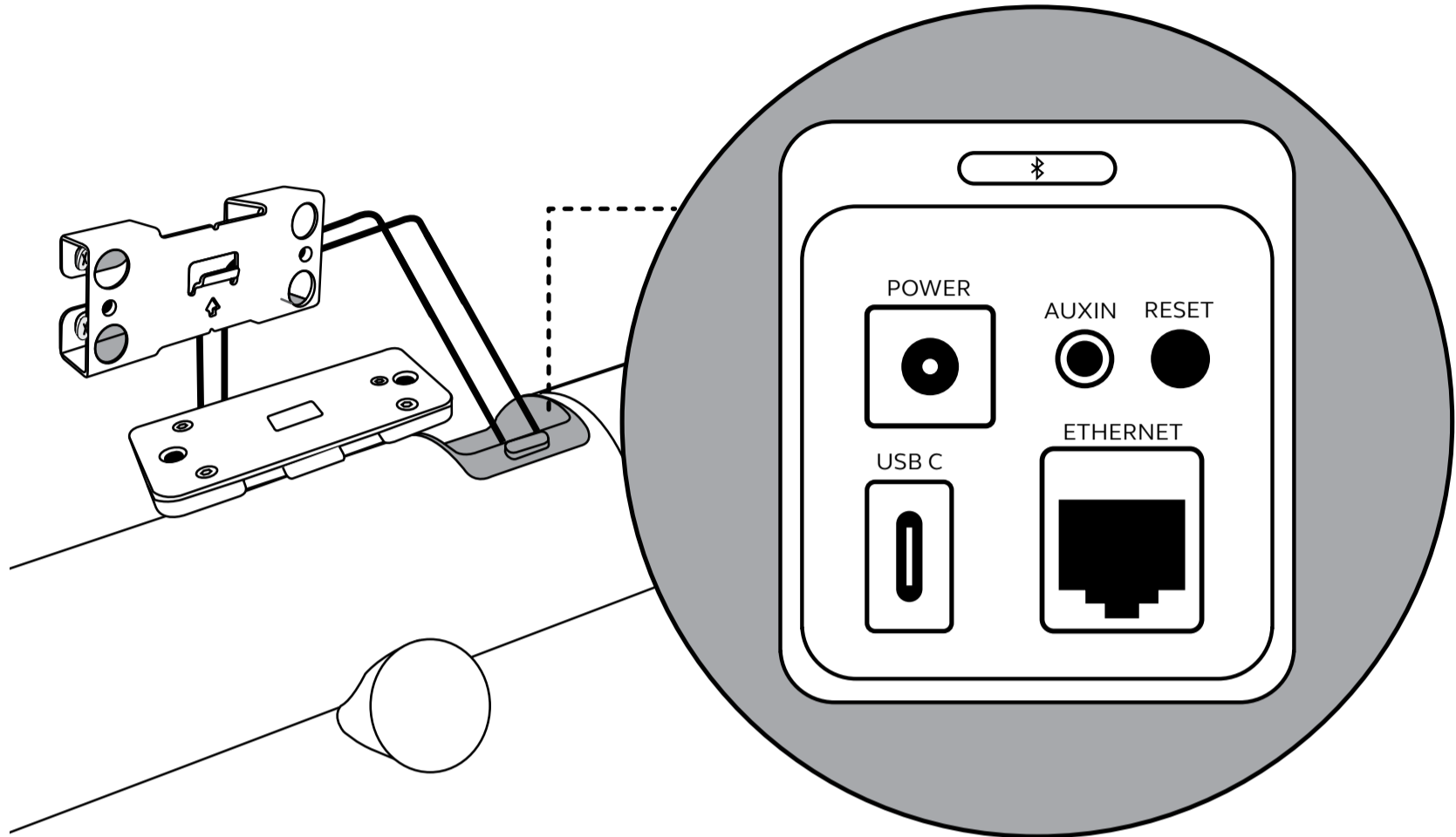
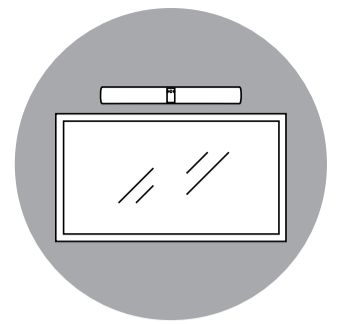
4

Tilt the hinge on the PanaCast 50 for easy access to the screw holes.



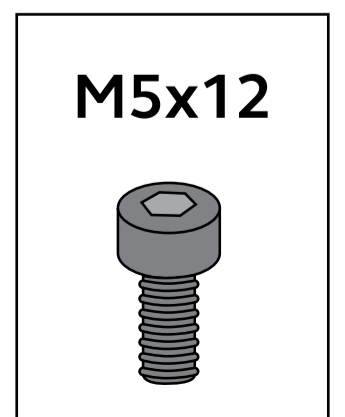
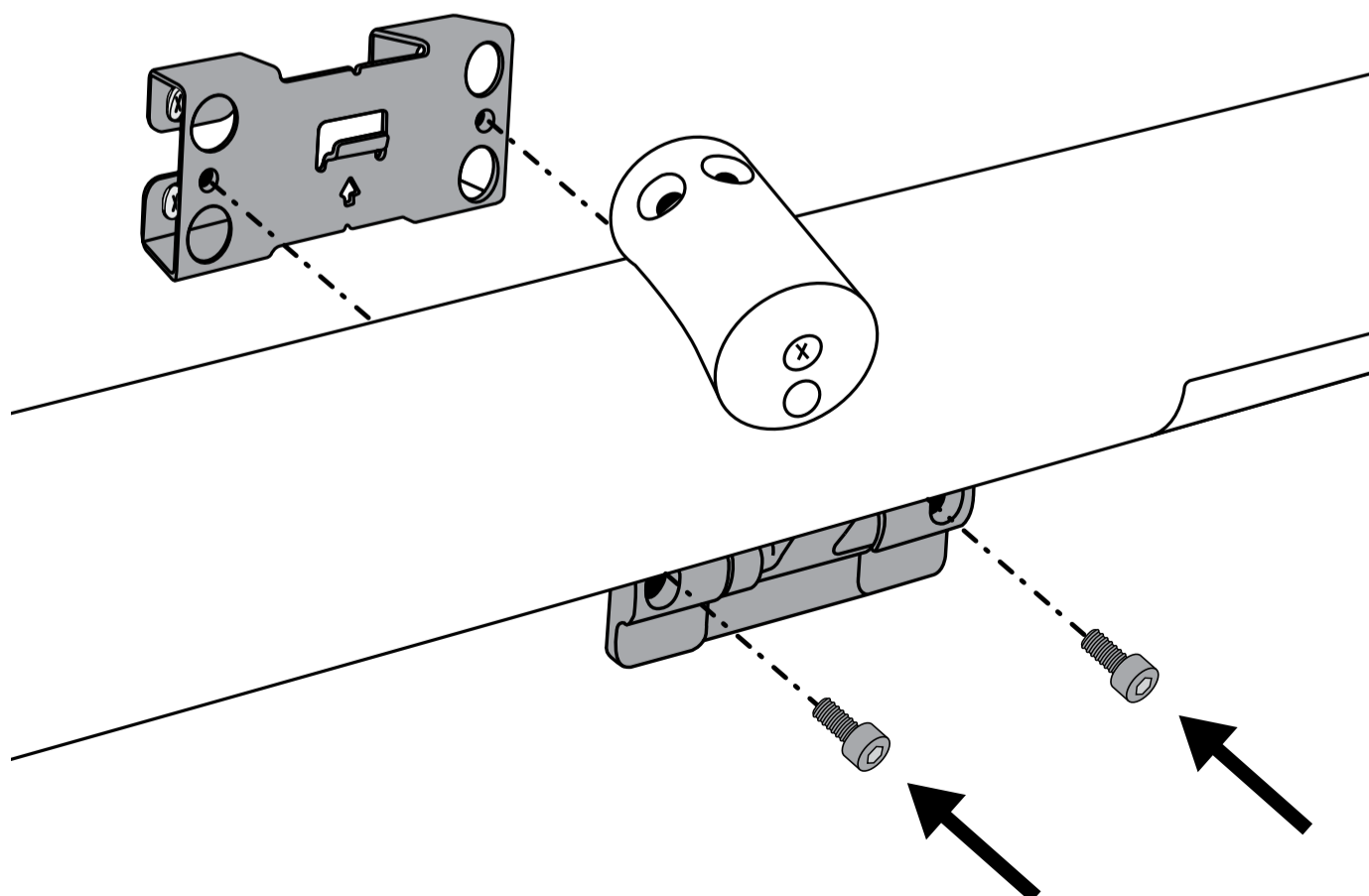
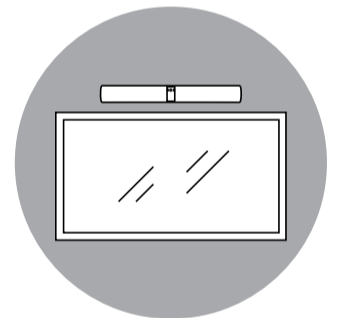
5

Attach the relevant cables to the PanaCast 50 before mounting and screwing to the Wall Mount.



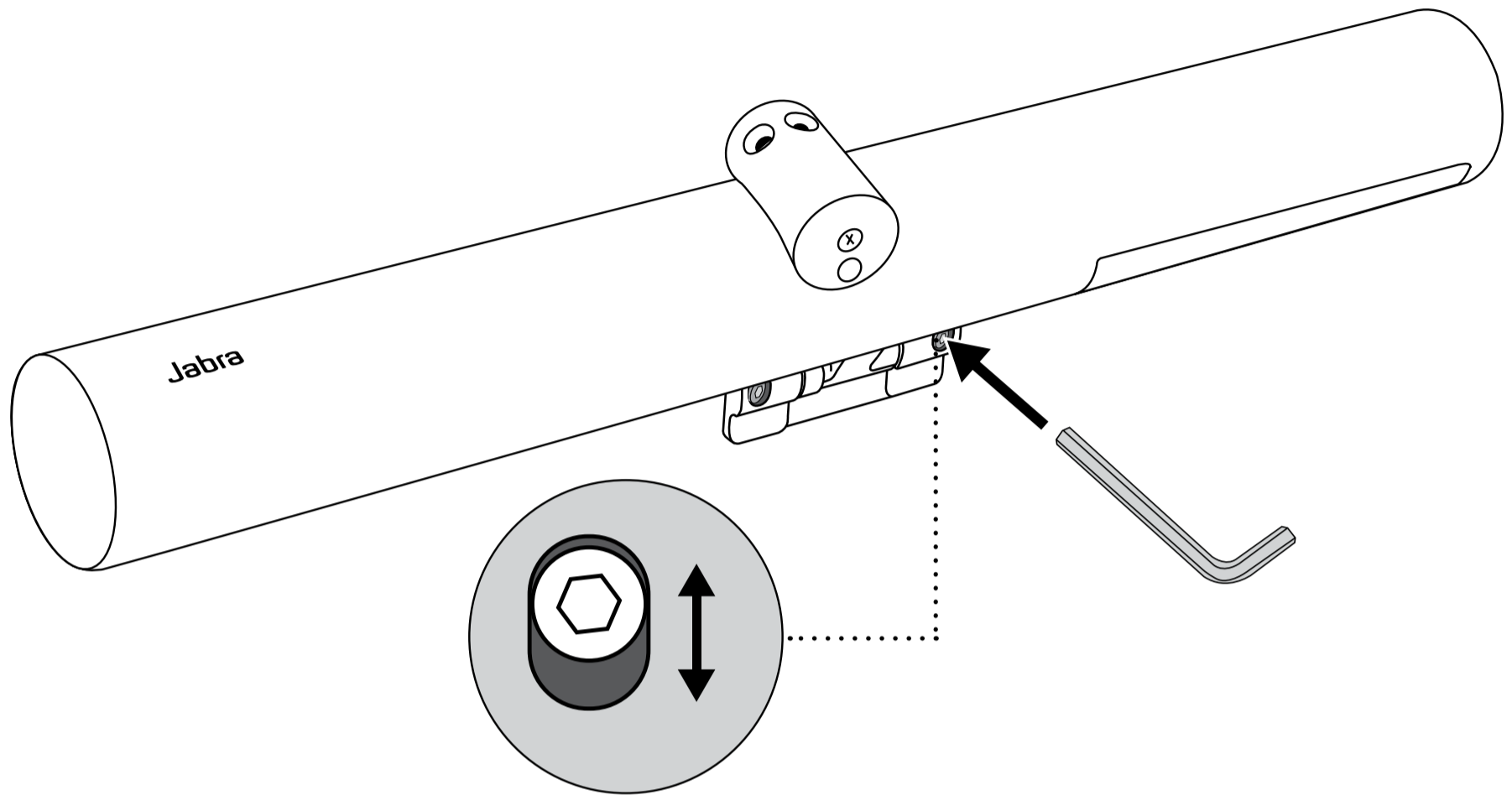
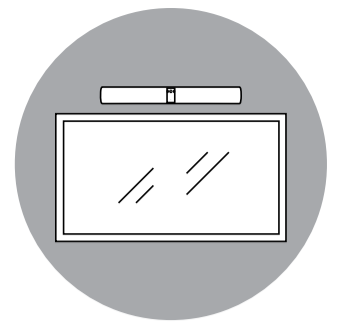
6

Mount and screw the PanaCast 50 to the Wall Mount using the supplied **M5x12 screws** and a **4mm hex key**.



7

If the PanaCast 50 is not level, adjust the angle by loosening the right screw, levelling and re-tightening the screw.



8

Rotate the PanaCast 50 into its final position and angle the camera to point at eye-level.

