

PanaCast 50

Table Stand

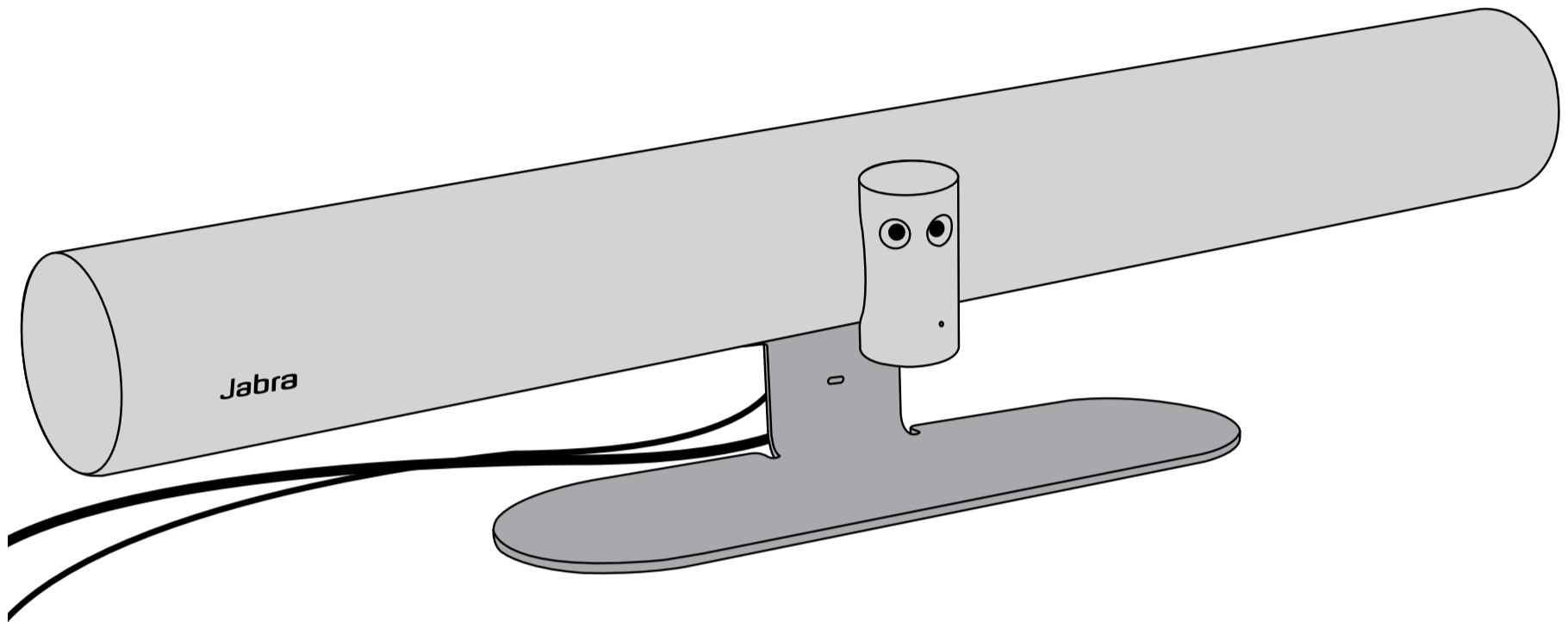
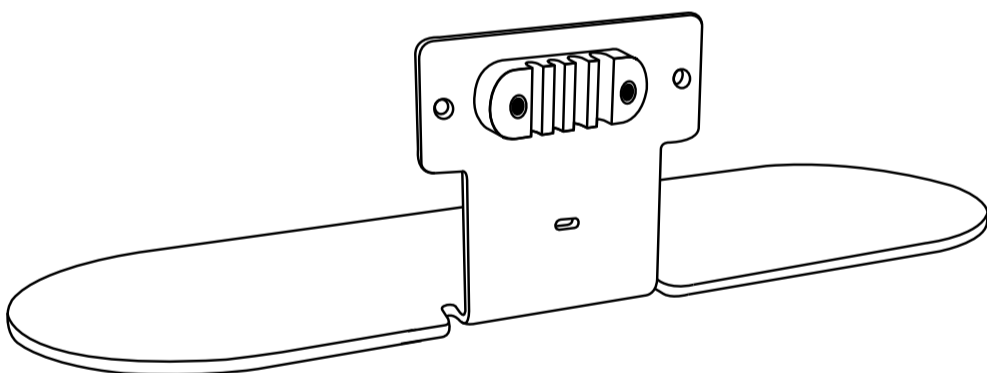


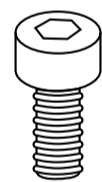
Table Stand and cable organiser



Screws

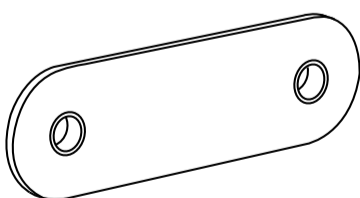


M3x10
(2 pcs)

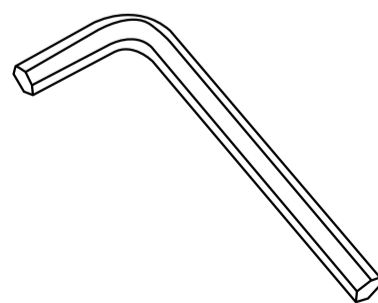


M5x12
(2 pcs)

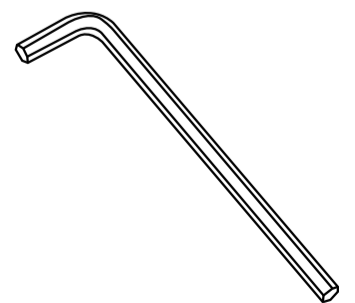
Table Stand cable lid



Hex keys



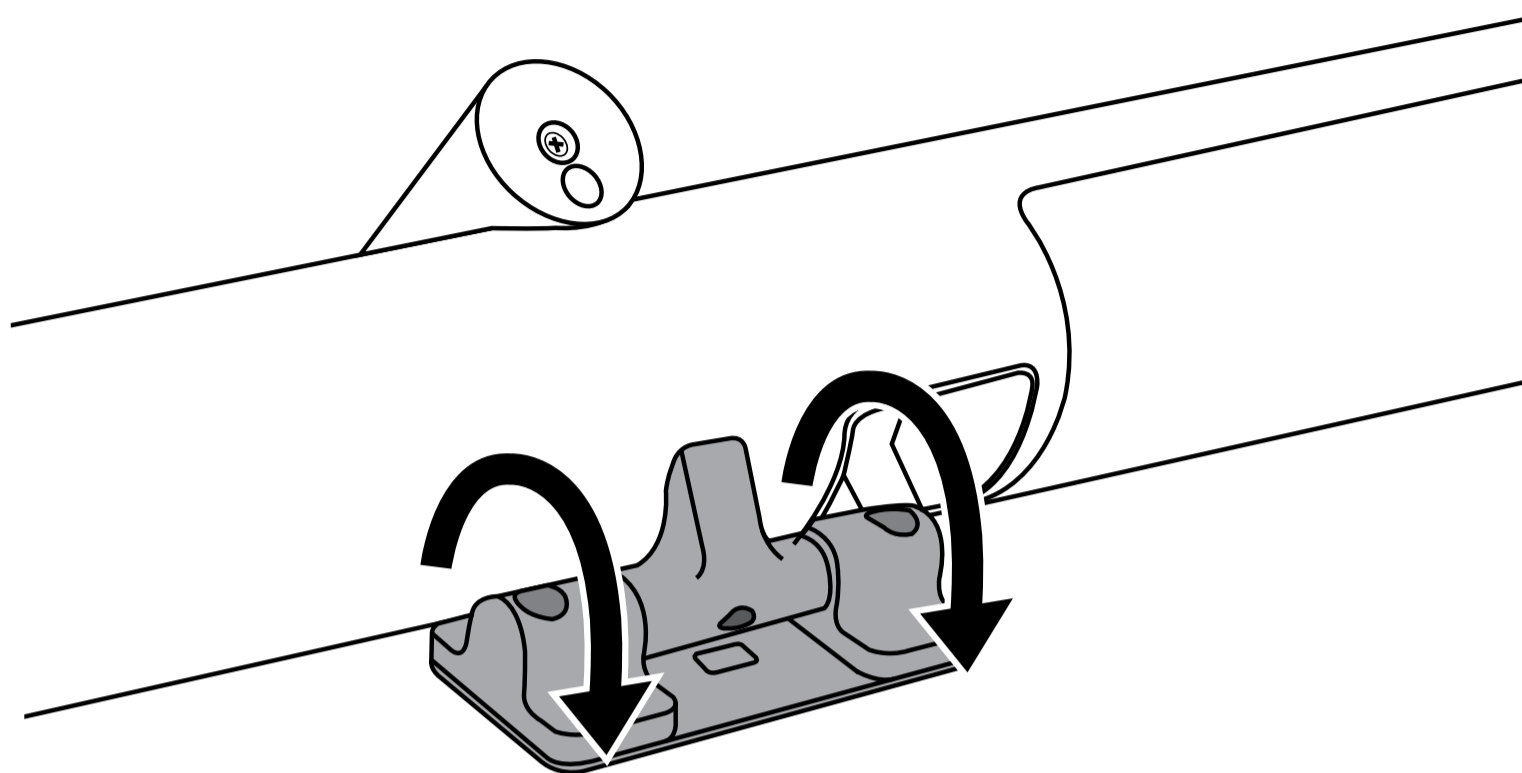
4mm



2.5mm

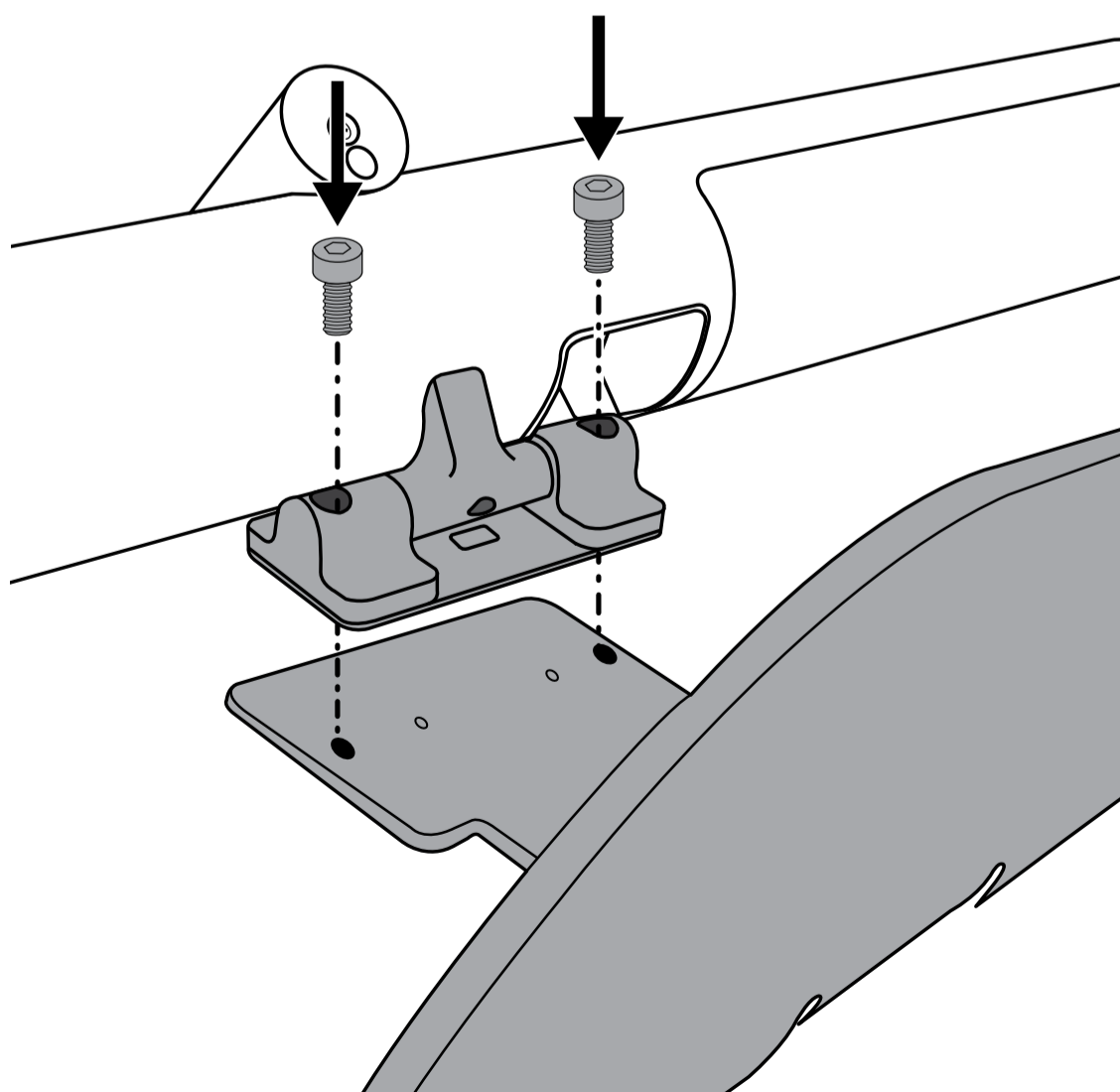
1

Tilt the hinge on the PanaCast 50 for easy access to the screw holes.

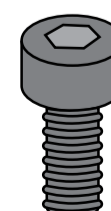


2

Screw the PanaCast 50 to the Table Stand using the supplied **M5x12 screws** and a **4mm hex key**.

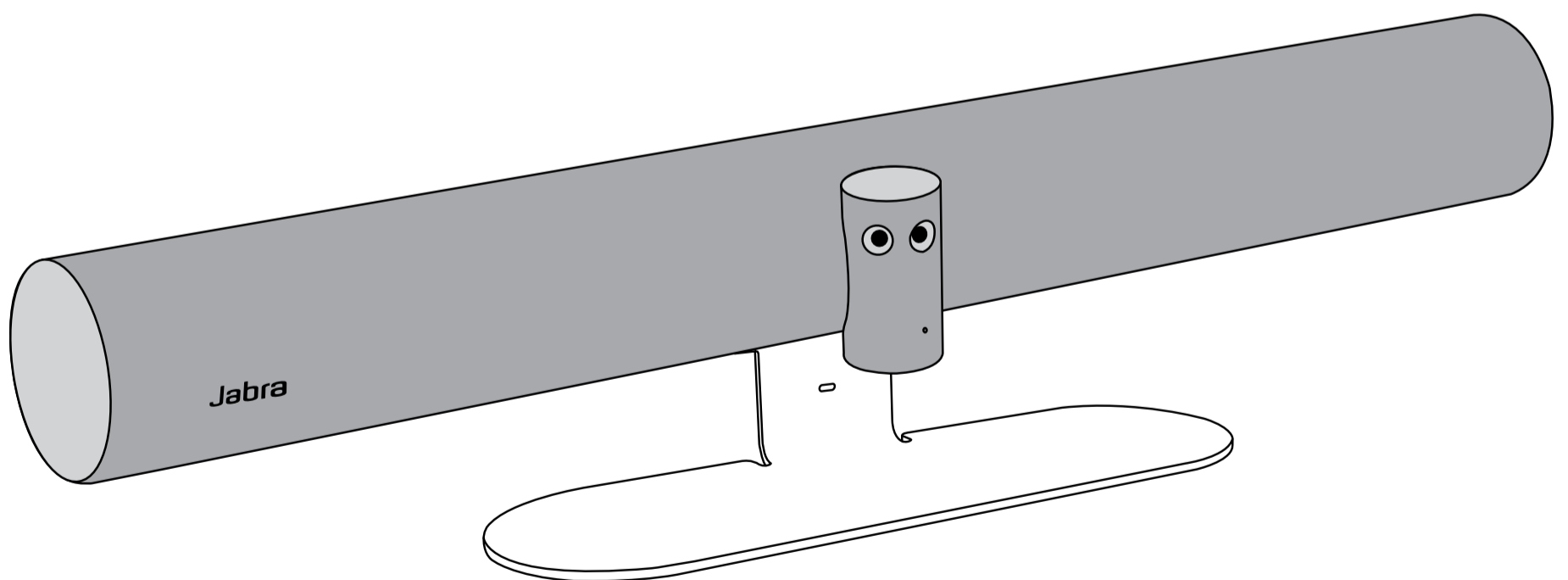
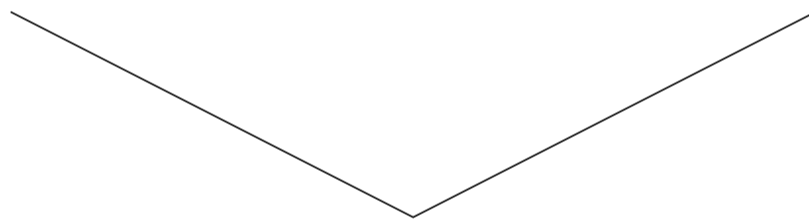
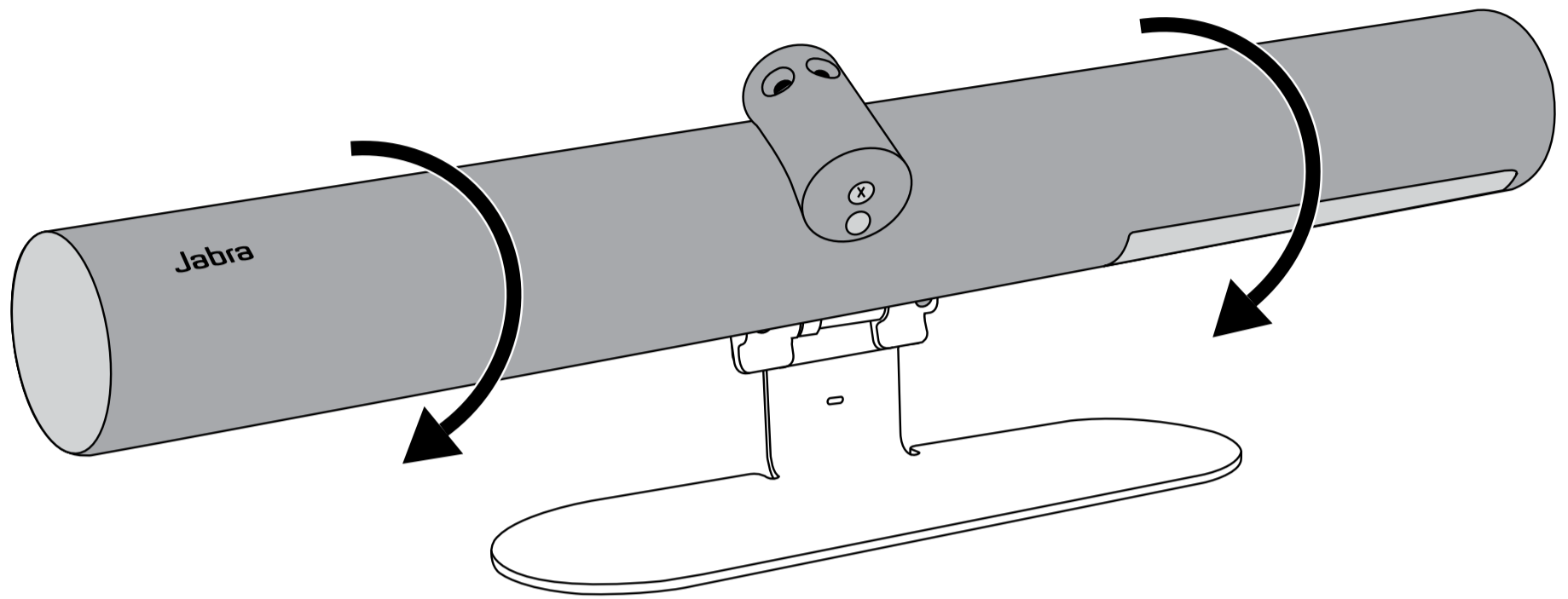


M5x12



3

Rotate the PanaCast 50 into its final position and ensure it is angled to the eye-level of meeting room participants.



4

Use the cable organiser to keep the cables neat and tidy. The thickest cables should be positioned on the right.

