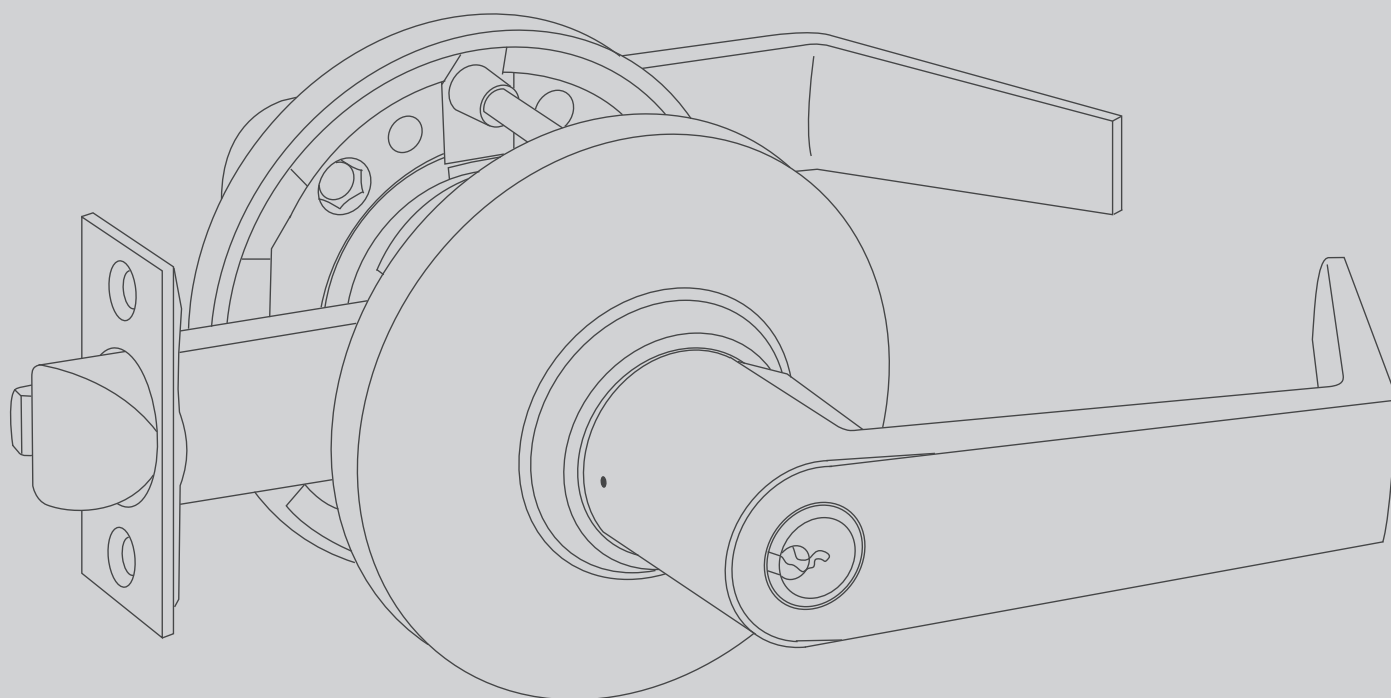


# CL3300 Series

## Cylindrical Lockset Parts Manual



Experience a safer  
and more open world

 **WARNING**

This product can expose you to lead which is known to the state of California to cause cancer and birth defects or other reproductive harm. For more information go to [www.P65warnings.ca.gov](http://www.P65warnings.ca.gov).

Mechanical Drawing ..... 3  
 Chassis & Buttons ..... 4  
 Spring Housing Assemblies ..... 5  
 Roses/Liners and Misc ..... 6  
 Latches ..... 7  
 Strikes ..... 8  
 Standard Levers and Components ..... 9  
 Cylinders ..... 10  
 BPS Power Supply ..... 11  
 ElectroLynx® Connector System ..... 12

**How to Order Parts**

1. In order to simplify the ordering procedure and maintain regulatory compliance, parts are only available as listed
2. To order parts, provide the appropriate quantity, part number, finish, hand (when required) and description as directed and illustrated below.

For example, use the following configuration to order:

- A) ten chassis in satin chrome
- B) one outside spring housing assembly in bright brass

	Quantity	Part Number	Finish	Hand	Description
A	10	785F008	626	—	Passage Function Chassis
B	1	783F208	605	—	Outside Spring Housing Assembly

For assistance, contact your authorized Corbin Russwin distributor, sales agency or visit our website at [www.corbinrusswin.com](http://www.corbinrusswin.com) .

**Finishes**

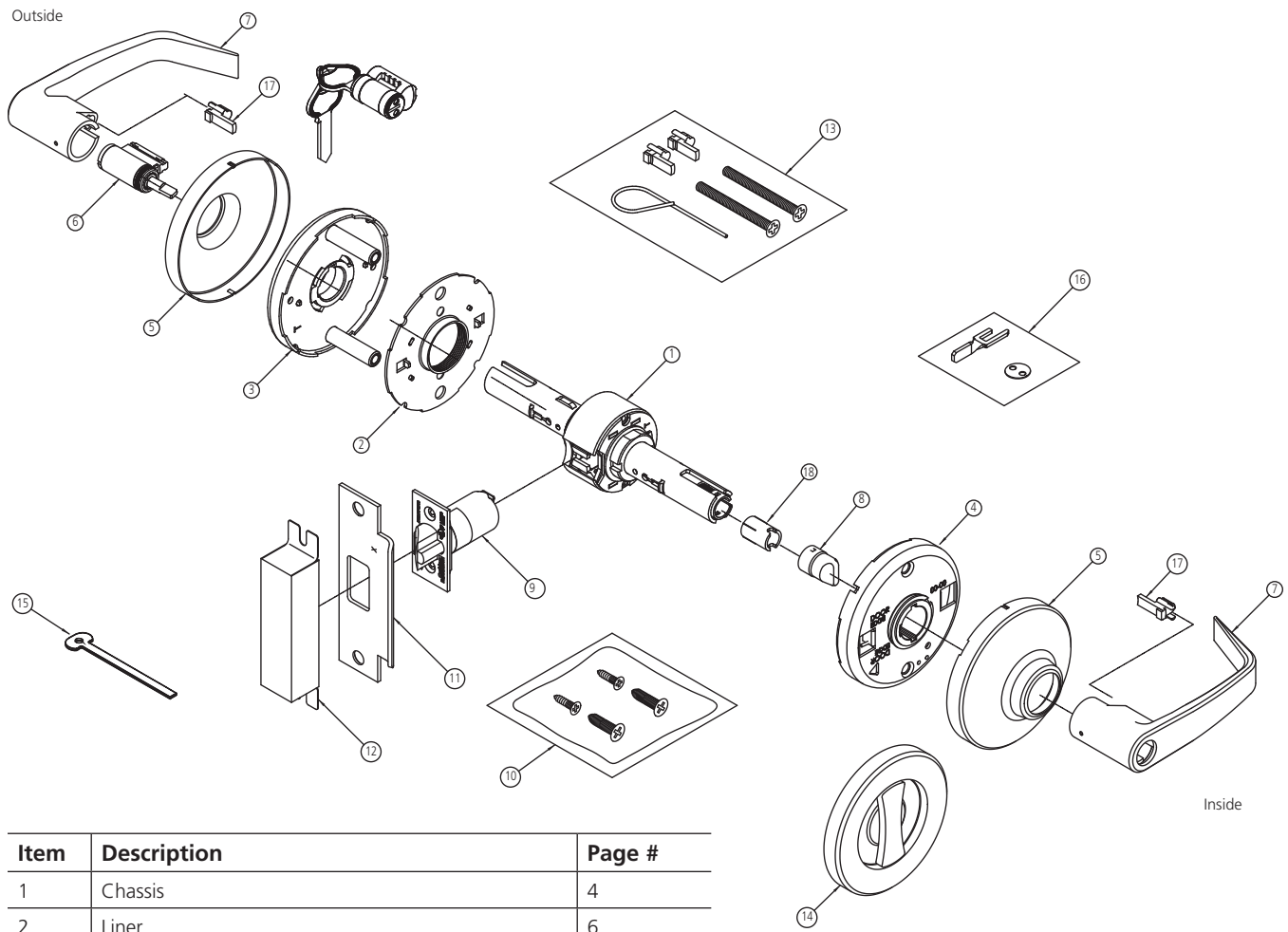
ANSI/BHMA Code	Finish Description
605	Bright Brass, Clear Coated
606	Satin Brass, Clear Coated
611	Bright Bronze, Clear Coated
612	Satin Bronze, Clear Coated
613	Dark Oxidized Satin Bronze, Oil Rubbed
613E	Dark Oxidized Satin Bronze, Equivalent
613L	Dark Oxidized Satin Bronze, Clear Coated
618	Bright Nickel, Clear Coated
619	Satin Nickel Plated, Clear Coated
619C	Satin Nickel Plated with MicroShield®
625	Bright Chrome Plated
626	Satin Chrome Plated
626C	Satin Chrome Plated with MicroShield®
722	Black Oxidized Satin Bronze, Oil Rubbed
BSP	Black Suede Powder Coat
WSP	White Suede Powder Coat



Experience a safer and more open world

The warranty on Corbin Russwin products becomes void if the product is modified in any way, regardless of whether the modifications causes or contributes to any alleged defect. If a Corbin Russwin product is modified it may no longer meet industry certification and quality control standards applicable to the original product and is no longer a genuine Corbin Russwin product.

Copyright © 2010-2021, ASSA ABLOY Access and Egress Hardware Group, Inc. All rights reserved. Reproduction in whole or in part without the express written permission of ASSA ABLOY Access and Egress Hardware Group, Inc. is prohibited. Patent pending and/or patent [www.assaabloydss.com/patents](http://www.assaabloydss.com/patents).



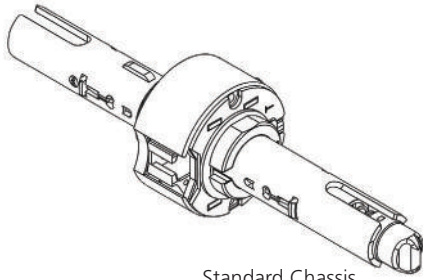
Item	Description	Page #
1	Chassis	4
2	Liner	6
3	Spring Housing Assembly, Outside	5
4	Spring Housing Assembly, Inside	5
5	Rose	6
6	Cylinder	10
7	Lever	9
8	Button	4
9	Latch	7
10	Screw pack	6
11	Strike	8
12	Strike Box	8
13	Thru Bolt Mounting Pack	6
14	Thumbturn Assembly (CL3390/CL3391 only)	5
15	Emergency Release Tool (CL3320 only)	6
16	Tailpiece Packet	10
17	Cylinder Retainer	10
18	Button Support Insert	4

The warranty on Corbin Russwin products becomes void if the product is modified in any way, regardless of whether the modifications causes or contributes to any alleged defect. If a Corbin Russwin product is modified it may no longer meet industry certification and quality control standards applicable to the original product and is no longer a genuine Corbin Russwin product.

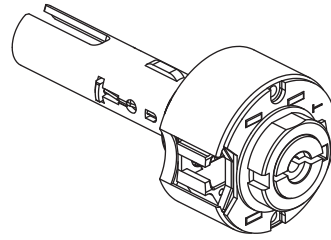
Copyright © 2010-2021, ASSA ABLOY Access and Egress Hardware Group, Inc. All rights reserved. Reproduction in whole or in part without the express written permission of ASSA ABLOY Access and Egress Hardware Group, Inc. is prohibited. Patent pending and/or patent [www.assaabloydss.com/patents](http://www.assaabloydss.com/patents).



Experience a safer and more open world



Standard Chassis



Half Trim Chassis  
(e.g. CL3380, CL3381,  
CL3390, CL3391)

**Chassis**

Part #	LFIC/SFIC Part #	Function	Description
785F008	N/A	CL3310	Passage or Closet
785F118 Fin*	N/A	CL3320	Privacy, Bedroom or Bathroom
785F128 Fin*	N/A	CL3320H	Hospital Privacy
785F138 Fin*	N/A	CL3320TO	Time Out Lock
785F078 Fin*	785F268 Fin*	CL3329	Hotel or Motel
785F068	785F258	CL3332	Institutional or Utility
785F028 Fin*	N/A	CL3340	Patio or Privacy
785F038	N/A	CL3340NT	Exit Latch
785F018 Fin*	785F218 Fin*	CL3351	Entrance or Office
785F048	785F238	CL3352	Classroom Intruder
785F048	785F228	CL3355	Classroom
785F018	785F218	CL3357	Storeroom or Closet
785F148	785F308	CL3359	Barrier Free Storeroom or Public Restroom
785F118 Fin*	785F298 Fin*	CL3361	Entry or Office
785F058	785F248	CL3362	Communicating
785F088	785F278	CL3372	Apartment, Exit or Public Toilet
785F158 Fin*	785F318 Fin*	CL3375	Corridor
785F098	N/A	CL3380	Passage x Blank
785F108	785F288	CL3381	Keyed Lever x Blank
785F098	N/A	CL3390	Passage Lever x Turnpiece
785F108	785F288	CL3391	Keyed Lever x Turnpiece
785F018 Fin*	785F218 Fin*	CL3393	Service Station
N/A	N/A	CL3350	Half Dummy
N/A	N/A	CL3370	Full Dummy
785F188	785F348	CL33903	Fail Safe - 12AD
785F168	785F328	CL33903	Fail Safe - 24AD
785F198	785F358	CL33905	Fail Secure - 12AD
785F178	785F338	CL33905	Fail Secure - 24AD

\* Specify Finish

**Buttons**

Part #	Function
585F76 Fin*	Turnbutton (CL3351)
585F77 Fin*	Pushbutton (CL3320, CL3320H, CL3320TO, CL3340, CL3361, CL3375)
585F78 Fin*	Hotel Button (CL3329)
585F79 Fin*	Slotted Button (CL3393)
716F929	Button Support Insert (must be used when replacing buttons)

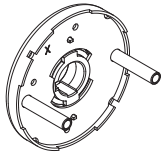
\* Specify Finish



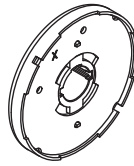
Experience a safer  
and more open world

The warranty on Corbin Russwin products becomes void if the product is modified in any way, regardless of whether the modifications causes or contributes to any alleged defect. If a Corbin Russwin product is modified it may no longer meet industry certification and quality control standards applicable to the original product and is no longer a genuine Corbin Russwin product.

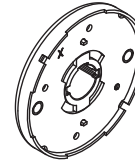
Copyright © 2010-2021, ASSA ABLOY Access and Egress Hardware Group, Inc. All rights reserved. Reproduction in whole or in part without the express written permission of ASSA ABLOY Access and Egress Hardware Group, Inc. is prohibited. Patent pending and/or patent [www.assaabloydss.com/patents](http://www.assaabloydss.com/patents).



PART No. 783F208  
Spring Housing Assembly, Outside  
All functions except CL3380 and CL3381



Part No. 783F308  
Spring Housing Assembly, Inside  
(1-3/4" -2" Door)  
All functions except CL3390 and CL3391



Part No. 783F408  
Spring Housing Assembly, Inside  
(over 2" - 2-1/4" doors)  
All functions except CL3390 and CL3391

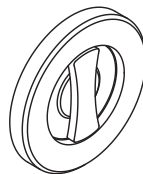
### Spring Housing Assemblies

Part #	Description
783F208	Spring Housing Assembly Outside
783F308	Spring Housing Assembly Inside 1-3/4" -2"
783F408	Spring Housing Assembly Inside 2-1/4"
686F858	Dummy Housing Inside
686F868	Dummy Housing Outside

### Thumbturn Assembly

Part #	Description
586F51 x Fin*	1-3/4" -2" door thickness
686F88 x Fin*	2-1/4" door thickness

\* Specify Finish



The warranty on Corbin Russwin products becomes void if the product is modified in any way, regardless of whether the modifications causes or contributes to any alleged defect. If a Corbin Russwin product is modified it may no longer meet industry certification and quality control standards applicable to the original product and is no longer a genuine Corbin Russwin product.

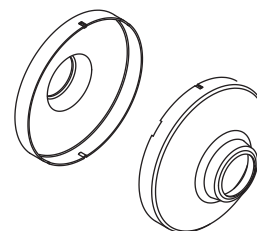
Copyright © 2010-2021, ASSA ABLOY Access and Egress Hardware Group, Inc. All rights reserved. Reproduction in whole or in part without the express written permission of ASSA ABLOY Access and Egress Hardware Group, Inc. is prohibited. Patent pending and/or patent [www.assaabloydss.com/patents](http://www.assaabloydss.com/patents).



Experience a safer  
and more open world

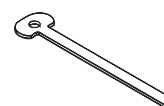
**Roses**

Part No.	Description
678F25 Fin*	Rose
598F59 Fin*	Blank Rose
710F618	Rose Liner Inside 1-3/4" - 2"
710F628	Rose Liner Inside Over 2"
678F248	Rose Liner Outside 1-3/4" - 2"
678F498	Rose Liner Outside Over 2"
586F51 Fin*	Thumbturn Assembly 1-3/4" - 2"
686F88 Fin*	Thumbturn Assembly over 2"
682F788	Rose Liner CL3380, CL3381



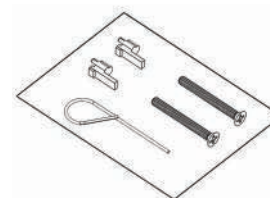
**Emergency Release Tool**

Part No.	Description
679F818	Emergency Release Tool (CL3320)



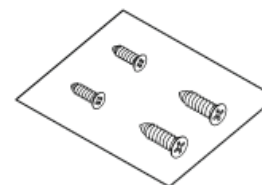
**Mounting Screw Packs**

Part No.	Description
710F658	1-3/4" - 2" Doors
710F668	Over 2" up to 2-1-4" Doors
682F628	CL3380, CL3381 1-3/4" - 2" Doors
682F638	CL3380, CL3381 Over 2" Doors
682F64 Fin*	CL3390, CL3391 1-3/4" - 2" Phillips Head
682F67 Fin*	CL3390, CL3391 1-3/4" - 2" Spanner Head
682F68 Fin*	CL3390, CL3391 1-3/4" - 2" Torx Head
682F65 Fin*	CL3390, CL3391 Over 2" Phillips Head
682F86 Fin*	CL3390, CL3391 Over 2" Spanner Head
682F87 Fin*	CL3390, CL3391 Over 2" Torx Head
684F44 Fin*	CL3350 Half Dummy Trim - Phillips Head
684F45 Fin*	CL3350 Half Dummy Trim - Spanner Head
684F46 Fin*	CL3350 Half Dummy Trim - Torx Head
684F528 Fin*	CL3370 Full Dummy Trim



**Latch and Strike Screw Packs**

Part No.	Description
604F228 Fin*	Latch & ANSI Strike (4-7/8") - Phillips Head (Std)
604F238 Fin*	Latch & ANSI Strike (4-7/8") - Spanner Head
604F248 Fin*	Latch & ANSI Strike (4-7/8") - Torx Head
604F268 Fin*	Latch & T-Strike (2-3/4") - Phillips Head
604F278 Fin*	Latch & T-Strike (2-3/4") - Spanner Head
604F288 Fin*	Latch & T-Strike (2-3/4") - Torx Head
480F688 Fin*	Rabbetted Strike - Phillips Head (Std)
596F618 Fin*	Rabbetted Strike - Spanner Head
596F628 Fin*	Rabbetted Strike - Torx Head



\* Specify Finish



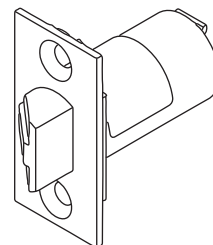
Experience a safer and more open world

The warranty on Corbin Russwin products becomes void if the product is modified in any way, regardless of whether the modifications causes or contributes to any alleged defect. If a Corbin Russwin product is modified it may no longer meet industry certification and quality control standards applicable to the original product and is no longer a genuine Corbin Russwin product.

Copyright © 2010-2021, ASSA ABLOY Access and Egress Hardware Group, Inc. All rights reserved. Reproduction in whole or in part without the express written permission of ASSA ABLOY Access and Egress Hardware Group, Inc. is prohibited. Patent pending and/or patent [www.assaabloydss.com/patents](http://www.assaabloydss.com/patents).

**Plain Latch - CL3310, CL3320TO, CL3380, CL3390**

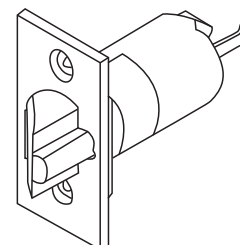
Part No.	Front	Front Width	Backset
586F16	Square Corner	1-1/8" (29mm)	2-3/4" (70mm)
596F66	Rounded Corner	1-1/8" (29mm)	2-3/4" (70mm)
586F80	Square Corner	1-1/8" (29mm)	3-3/4" (95mm)
586F86	Rounded Corner	1-1/8" (29mm)	3-3/4" (95mm)
598F20	Square Corner	1-1/8" (29mm)	5" (127mm)
601F24	Rounded Corner	1-1/8" (29mm)	5" (127mm)



**Plain**

**Deadlocking Latch - All Other Functions**

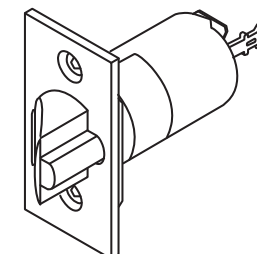
Part No.	Front	Front Width	Backset
586F17	Square Corner	1-1/8" (29mm)	2-3/4" (70mm)
596F67	Rounded Corner	1-1/8" (29mm)	2-3/4" (70mm)
586F81	Square Corner	1-1/8" (29mm)	3-3/4" (95mm)
586F87	Rounded Corner	1-1/8" (29mm)	3-3/4" (95mm)
598F21	Square Corner	1-1/8" (29mm)	5" (127mm)
601F25	Rounded Corner	1-1/8" (29mm)	5" (127mm)



**Deadlocking**

**Throw-Off Latch - CL3320, CL3320H, CL3329, CL3340, CL3375, CL3393**

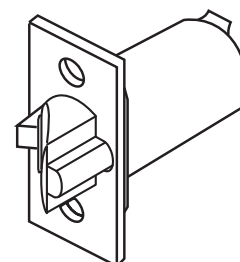
Part No.	Front	Front Width	Backset
586F18	Square Corner	1-1/8" (29mm)	2-3/4" (70mm)
596F68	Rounded Corner	1-1/8" (29mm)	2-3/4" (70mm)
586F82	Square Corner	1-1/8" (29mm)	3-3/4" (95mm)
586F88	Rounded Corner	1-1/8" (29mm)	3-3/4" (95mm)
598F22	Square Corner	1-1/8" (29mm)	5" (127mm)
601F26	Rounded Corner	1-1/8" (29mm)	5" (127mm)



**Throw Off**

**3/4" Throw Deadlocking Fire Latch**

Part No.	Front	Front Width	Backset
601F69	Square Corner	1-1/8" (29mm)	2-3/4" (70mm)



**3/4" Throw Deadlocking Fire Latch for pair of doors**

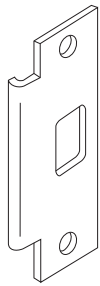
When ordering latchbolt, specify Part No. x Finish (e.g., 586F16 x 626)

The warranty on Corbin Russwin products becomes void if the product is modified in any way, regardless of whether the modifications causes or contributes to any alleged defect. If a Corbin Russwin product is modified it may no longer meet industry certification and quality control standards applicable to the original product and is no longer a genuine Corbin Russwin product.

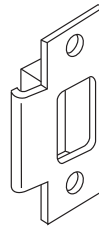
Copyright © 2010-2021, ASSA ABLOY Access and Egress Hardware Group, Inc. All rights reserved. Reproduction in whole or in part without the express written permission of ASSA ABLOY Access and Egress Hardware Group, Inc. is prohibited. Patent pending and/or patent [www.assaabloydss.com/patents](http://www.assaabloydss.com/patents).



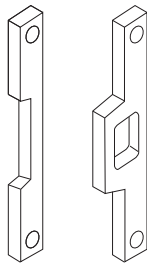
Experience a safer and more open world



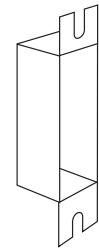
**ANSI Curved Lip** (standard)  
 Brass or stainless steel.  
 4-7/8" (124mm) x 1-1/4" (32mm) x 1-1/4" (32mm)  
 lip to center.  
 Optional lip lengths: 1" (25mm), 1-1/8" (29mm),  
 1-3/8" (35mm), 1-1/2" (38mm), 1-3/4" (44mm), 2"  
 (51mm), 2-1/4" (57mm), 2-1/2" (64mm), 2-3/4"  
 (70mm), 3" (76mm).  
 To order separately, specify Part No. x Finish.



**Curved Lip "T" Strike**  
 Brass.  
 2-3/4" (70mm) x 1-1/8" (29mm) x 1-1/4"  
 (32mm) lip to center.  
 Optional lip lengths: 1" (25mm),  
 1-1/8" (29mm), 1-3/8" (35mm), 1-1/2" (38mm),  
 1-3/4" (44mm), 2" (51mm), 2-1/4" (57mm),  
 2-1/2" (64mm), 2-3/4" (70mm), 3" (76mm).  
 To order separately, specify Part No. x Finish.



**Rabbeted Front and Strike**  
 Brass or bronze.  
 4" (102mm) x 5/8" (16mm) for 1/2" (13mm) rabbet.  
 No optional lip lengths.  
 To order separately, specify 601F28 x Finish.



**ANSI Wrought Strike Box**  
 To order separately, specify 120F76-8.

**Strikes - 4-7/8" ANSI Curved Lip**

Part No.	Description
217L13M016 Fin*	1" Lip Length
217L13M018 Fin*	1-1/8" Lip Length
217L13M020 Fin*	1-1/4" Lip Length
217L13M022 Fin*	1-3/8" Lip Length
217L13M024 Fin*	1-1/2" Lip Length
217L13M028 Fin*	1-3/4" Lip Length
217L13M032 Fin*	2" Lip Length
217L13M036 Fin*	2-1/4" Lip Length
217L13M040 Fin*	2-1/2" Lip Length
217L13M044 Fin*	2-3/4" Lip Length
217L13M048 Fin*	3" Lip Length

**Strikes - 2-3/4" T-Curved Lip**

Part No.	Description
586L19M016 Fin*	1" Lip Length
586L19M018 Fin*	1-1/8" Lip Length
586L19M020 Fin*	1-1/4" Lip Length
586L19M022 Fin*	1-3/8" Lip Length
586L19M024 Fin*	1-1/2" Lip Length
586L19M028 Fin*	1-3/4" Lip Length
586L19M032 Fin*	2" Lip Length
586L19M036 Fin*	2-1/4" Lip Length
586L19M040 Fin*	2-1/2" Lip Length
586L19M044 Fin*	2-3/4" Lip Length
586L19M048 Fin*	3" Lip Length

\*Specify finish

**Strike Box**

Part No.	Description
120F768	4-7/8" ANSI strike box

**Rabbeted Strike & Front Plate**

Part No.	Description
315F933 Fin*	Rabbeted Front Plate Only
315F943 Fin*	Rabbeted Strike Only
601F283 Fin*	Rabbeted Front Plate & Strike Pack

\*Specify finish

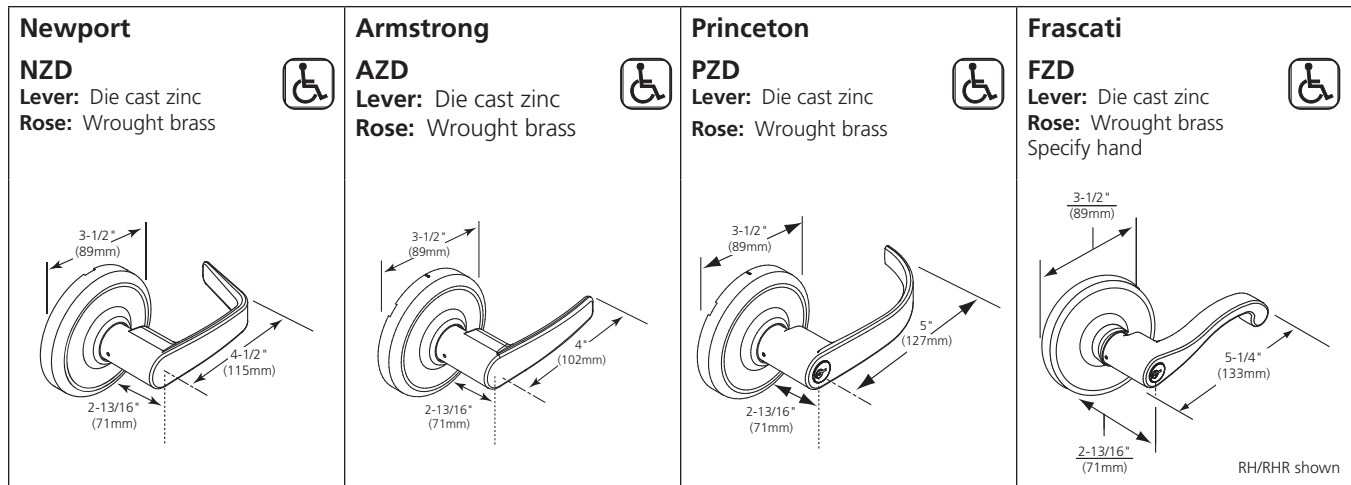


Experience a safer  
and more open world

The warranty on Corbin Russwin products becomes void if the product is modified in any way, regardless of whether the modifications causes or contributes to any alleged defect. If a Corbin Russwin product is modified it may no longer meet industry certification and quality control standards applicable to the original product and is no longer a genuine Corbin Russwin product.

Copyright © 2010-2021, ASSA ABLOY Access and Egress Hardware Group, Inc. All rights reserved. Reproduction in whole or in part without the express written permission of ASSA ABLOY Access and Egress Hardware Group, Inc. is prohibited. Patent pending and/or patent [www.assaabloydss.com/patents](http://www.assaabloydss.com/patents).





### Levers for Doors 1-3/4" - 2" Doors\*

Application	NZD	AZD	PZD	FZD x RH/RHR	FZD x LH/LHR
Plain	563F945	563F885	799F505	712F505	712F205
Cylinder or Button	563F955	563F895	799F515	712F515	712F215
Intruder	714F065	714F005	799F535	712F685	712F385
Emergency Key Hole	563F965	563F905	799F525	712F525	712F225
LFIC Cylinder - 6 Pin	585F715	585F705	799F565	712F545	712F245
LFIC Cylinder - 6 Pin Intruder	714F365	714F305	799F575	712F705	712F405
LFIC Cylinder - 7 Pin	600F415	600F425	799F585	712F555	712F255
LFIC Cylinder - 7 Pin Intruder	714F375	714F315	799F595	712F715	712F415
SFIC Cylinder Cutout	596F825	409F865	799F805	712F565	712F265
SFIC Cylinder Cutout Intruder	714F425	540F625	799F815	712F725	712F425
Schlage® LFIC Cylinder Cutout	690F975	NA	799F825	712F575	712F275
Schlage® LFIC Cylinder Cutout - Intruder	714F455	NA	799F835	712F735	712F435
Sargent® Cylinder Cutout	578F435	695F075	799F545	712F535	712F235
Sargent® Cylinder Cutout - Intruder	714F125	714F035	799F555	712F695	712F395

### Levers for Doors 2" - 2-1/4" Doors\*

Application	NZD	AZD	PZD	FZD x RH/RHR	FZD x LH/LHR
Plain	684F825	684F775	799F605	712F605	712F305
Cylinder or Button	684F835	684F785	799F615	712F615	712F315
Intruder	714F215	714F155	799F635	712F745	712F445
Emergency Key Hole	684F845	684F795	799F625	712F625	712F325
LFIC Cylinder - 6 Pin	684F865	684F805	799F665	712F645	712F345
LFIC Cylinder - 6 Pin Intruder	714F545	714F485	799F675	712F765	712F465
LFIC Cylinder - 7 Pin	684F875	684F815	799F685	712F655	712F355
LFIC Cylinder - 7 Pin Intruder	714F555	714F495	799F695	712F775	712F475
SFIC Cylinder Cutout	684F885	409F875	799F845	712F665	712F365
SFIC Cylinder Cutout Intruder	714F605	540F685	799F855	712F785	712F485
Schlage® LFIC Cylinder Cutout	690F985	NA	799F865	712F675	712F375
Schlage® LFIC Cylinder Cutout - Intruder	714F635	NA	799F875	712F795	712F495
Sargent® Cylinder Cutout	684F855	697F995	799F645	712F635	712F335
Sargent® Cylinder Cutout - Intruder	714F275	714F185	799F655	712F755	712F455

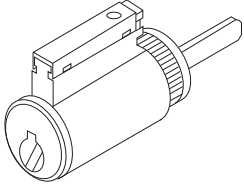
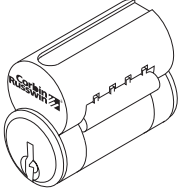
\*Specify Finish

The warranty on Corbin Russwin products becomes void if the product is modified in any way, regardless of whether the modifications causes or contributes to any alleged defect. If a Corbin Russwin product is modified it may no longer meet industry certification and quality control standards applicable to the original product and is no longer a genuine Corbin Russwin product.

Copyright © 2010-2021, ASSA ABLOY Access and Egress Hardware Group, Inc. All rights reserved. Reproduction in whole or in part without the express written permission of ASSA ABLOY Access and Egress Hardware Group, Inc. is prohibited. Patent pending and/or patent [www.assaabloydss.com/patents](http://www.assaabloydss.com/patents).



Experience a safer and more open world

	
Access 3® - .510" plug diameter Pyramid - .496" plug diameter Conventional - .509" plug diameter Security - .552" plug diameter Brass, 6-pin 2 nickel silver keys Finishes: 606, 626	Access 3® - .510" plug diameter Pyramid - .496" plug diameter Conventional - .509" plug diameter Security - .552" plug diameter Brass, 6-pin 2 nickel silver keys Finishes: 606, 626

	Standard Cylinder	Interchangeable Core
Conventional 6-Pin	2000-033 (Std.)	8000
Conventional 7-Pin	2000-033-7	8000-7
Emhart Security	2010-033	8010
Hotel 6-Pin	2001-034	8001-034
Hotel 7-Pin	2001-034-7	8001-034-7
Access 3® - AP Type	2500-033	8500
Access 3® - AS Type	2600-033	8600
Access 3® - AHS Type	2700-033	8700
Pyramid Security	2027-033	8027
Pyramid High Security	2020-033	8020
Schlage® C Keyway (0-Bitted)	2400-033-C	NA
Schlage® C Keyway (Keyed Random)	2400-033-C-KR	NA
Sargent® LA Keyway (0-Bitted)	2400-033-LA	NA

### Cylinder Parts

Part #	Description
622F308	Tailpiece 6-pin
682F298	Tailpiece 7-pin
631F248	Corbin Russwin LFIC tailpiece kit
682F958	SFIC tailpiece kit
682F969	Sargent® tailpiece kit
697F942	Schlage® LFIC tailpiece kit
682F398	Schlage® tailpiece kit
585F729	Cylinder retainer

### Disposable Cores

Part #	Description
627F009	Corbin Russwin LFIC (10 pack)
707F299	SFIC (10 pack)

### Compatibility with Competitive Cylinders/Cores

Manufacturer	Cylinder Type	Tailpiece Kit	Option Code with Lock	Description
All	SFIC	682F958	M08	For all SFIC 6 and 7 pin cores. Option code with lock includes special lever and tailpiece.
Sargent®	Fixed Core	682F969	M09	For Sargent® 6 pin cylinders (13-3266). Option code with lock includes special lever and tailpiece.
Schlage®	Fixed Core	682F398	M06	For Schlage® 6 pin conventional cylinders (21-002, 23-001 or 23-013) or Schlage Primus cylinders (20-548, 20-550, 20-748 or 20-750). Option code with lock includes tailpiece.
Schlage®	LFIC	697F942	M69	For Schlage® 6 pin large format interchangeable cores. Option code with lock includes special lever and tailpiece.



Experience a safer and more open world

The warranty on Corbin Russwin products becomes void if the product is modified in any way, regardless of whether the modifications causes or contributes to any alleged defect. If a Corbin Russwin product is modified it may no longer meet industry certification and quality control standards applicable to the original product and is no longer a genuine Corbin Russwin product.

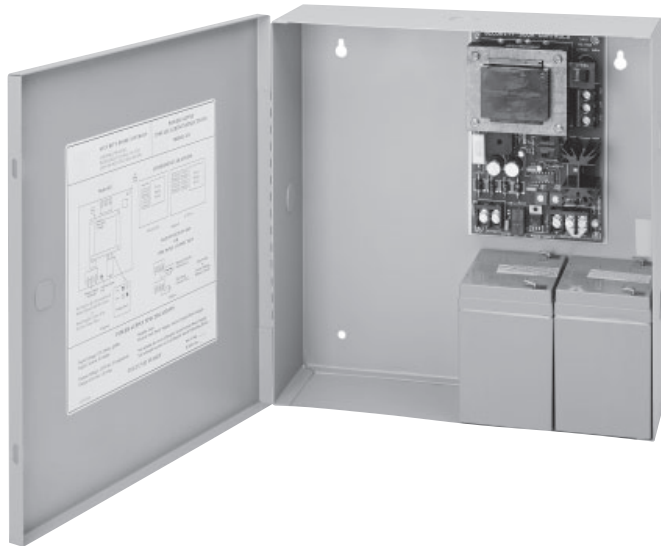
Copyright © 2010-2021, ASSA ABLOY Access and Egress Hardware Group, Inc. All rights reserved. Reproduction in whole or in part without the express written permission of ASSA ABLOY Access and Egress Hardware Group, Inc. is prohibited. Patent pending and/or patent [www.assaabloydss.com/patents](http://www.assaabloydss.com/patents).

Power supplies are designed to provide reliable filtered and regulated power for long life to a variety of electrified hardware components. All modular power supplies are voltage specific and are designed to meet UL 1481 Standards.

### Features

- Fire panel emergency release input
- PC Board mounted system LED indicator
- Voltage specific 12 or 24VDC
- Regulated and filtered with input and output protection
- Battery charging is provided from a separate output terminal

Model	Input	Output
BPS-12-1	115VAC @ 50/60 Hz	1 Amp @ 12VDC
BPS-12-3		3 Amp @ 12VDC
BPS-24-1	115VAC @ 50/60 Hz	1 Amp @ 24VDC
BPS-24-2		2 Amp @ 24VDC



The warranty on Corbin Russwin products becomes void if the product is modified in any way, regardless of whether the modifications causes or contributes to any alleged defect. If a Corbin Russwin product is modified it may no longer meet industry certification and quality control standards applicable to the original product and is no longer a genuine Corbin Russwin product.

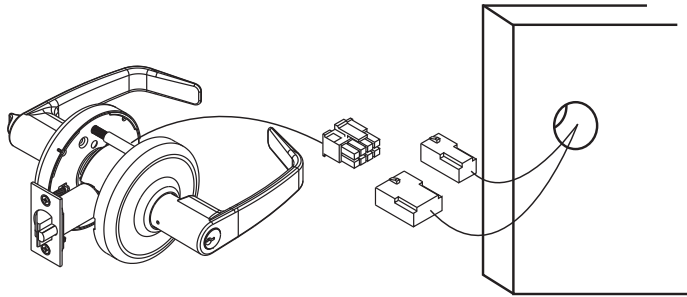
Copyright © 2010-2021, ASSA ABLOY Access and Egress Hardware Group, Inc. All rights reserved. Reproduction in whole or in part without the express written permission of ASSA ABLOY Access and Egress Hardware Group, Inc. is prohibited. Patent pending and/or patent [www.assaabloydss.com/patents](http://www.assaabloydss.com/patents).



Experience a safer  
and more open world

## ElectroLynx® Connector System For ASSA ABLOY Group Doors and Hinges with ElectroLynx® Connector System

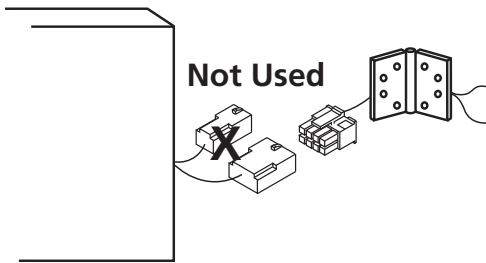
- Plug 8-pin lock connector into 8-pin door connector (4-pin door connector not used for this application).



For non ElectroLynx Connector System, door install available retrofit harness and use with ElectroLynx hinge. Follow installation instructions for ElectroLynx Connector System.

For non ElectroLynx Connector System door and hinge, remove connector on lock (warranty void if rectifier module is removed). Use proper crimp splices or wire nuts in accordance with local code for terminating connections. No polarity of wires is required.

- Install lock per instruction sheet provided
- Plug 8-pin door connector into 8-pin hinge connector (4-pin door connector not used for this application).

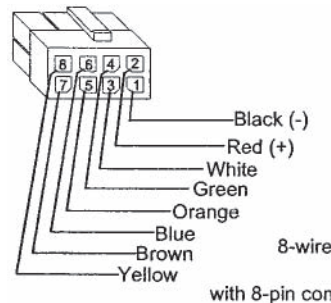


Use template T30971 for door preparation

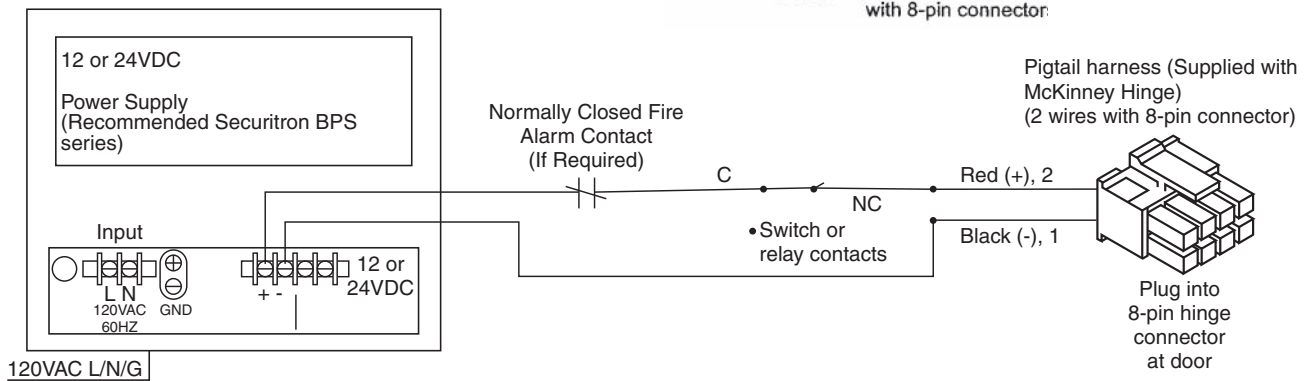
- Electrical Specifications  
24 Volts AC/DC +/-10%  
Operating Current .150 AMP

12 Volts AC/DC +/- 10%  
Operating current .250 AMP

- Wire hinge to power source



with 8-pin connector:



Experience a safer and more open world

The warranty on Corbin Russwin products becomes void if the product is modified in any way, regardless of whether the modifications causes or contributes to any alleged defect. If a Corbin Russwin product is modified it may no longer meet industry certification and quality control standards applicable to the original product and is no longer a genuine Corbin Russwin product.

Copyright © 2010-2021, ASSA ABLOY Access and Egress Hardware Group, Inc. All rights reserved. Reproduction in whole or in part without the express written permission of ASSA ABLOY Access and Egress Hardware Group, Inc. is prohibited. Patent pending and/or patent [www.assaabloydss.com/patents](http://www.assaabloydss.com/patents).

The warranty on Corbin Russwin products becomes void if the product is modified in any way, regardless of whether the modifications causes or contributes to any alleged defect. If a Corbin Russwin product is modified it may no longer meet industry certification and quality control standards applicable to the original product and is no longer a genuine Corbin Russwin product.

Copyright © 2010-2021, ASSA ABLOY Access and Egress Hardware Group, Inc. All rights reserved. Reproduction in whole or in part without the express written permission of ASSA ABLOY Access and Egress Hardware Group, Inc. is prohibited. Patent pending and/or patent [www.assaabloydss.com/patents](http://www.assaabloydss.com/patents).



Experience a safer  
and more open world

The ASSA ABLOY Group is the global leader in access solutions. Every day, we help billions of people experience a more open world.

ASSA ABLOY Opening Solutions leads the development within door openings and products for access solutions in homes, businesses and institutions. Our offering includes doors, frames, door and window hardware, locks, perimeter fencing, access control and service.



For additional information, contact your  
ASSA ABLOY Door Security Solutions  
sales consultant or visit [www.corbinrusswin.com](http://www.corbinrusswin.com).

**In U.S.**

Corbin Russwin  
225 Episcopal Road  
Berlin, CT 06037  
Phone: 800-543-3658  
Fax: 800-447-6714  
[www.corbinrusswin.com](http://www.corbinrusswin.com)

ASSA ABLOY Door  
Security Solutions Canada  
160 Four Valley Drive  
Vaughan, Ontario  
Canada L4K 4T9  
Phone: 800-461-3007  
Fax: 800-461-8989  
[www.assaabloydss.ca](http://www.assaabloydss.ca)

**In Canada**